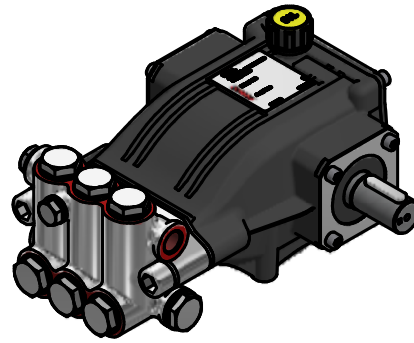
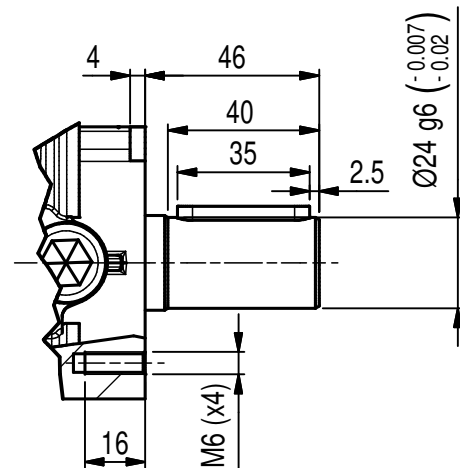
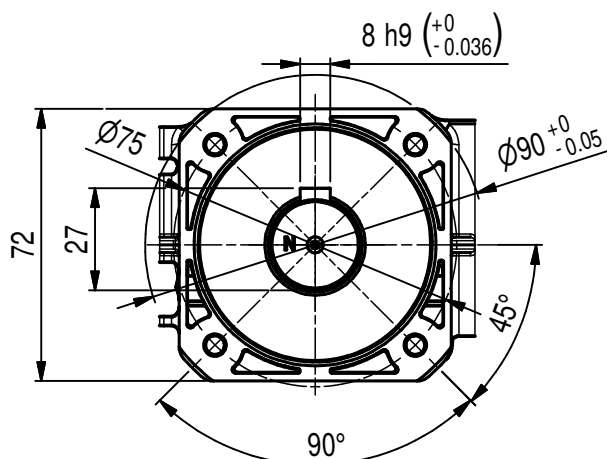
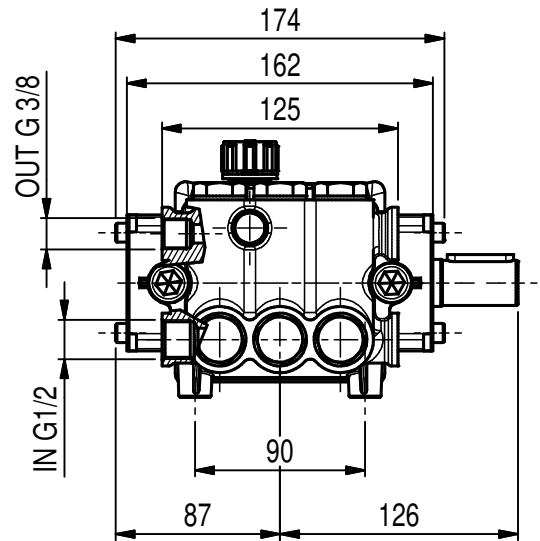
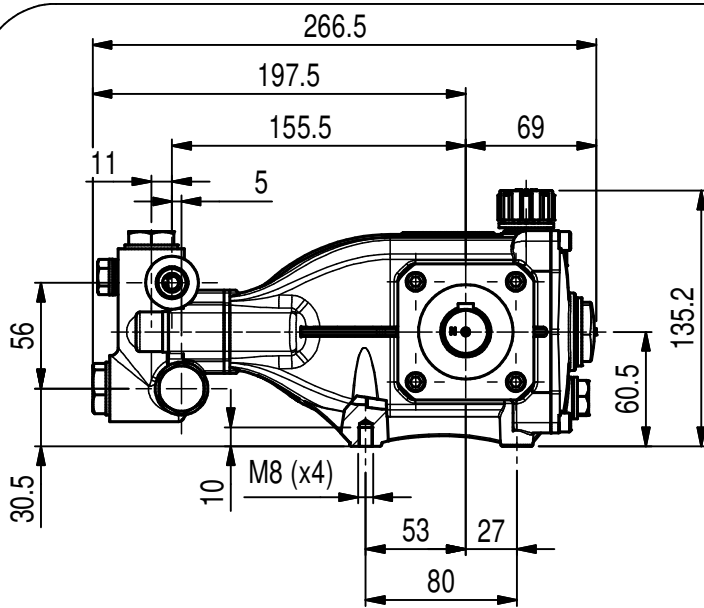


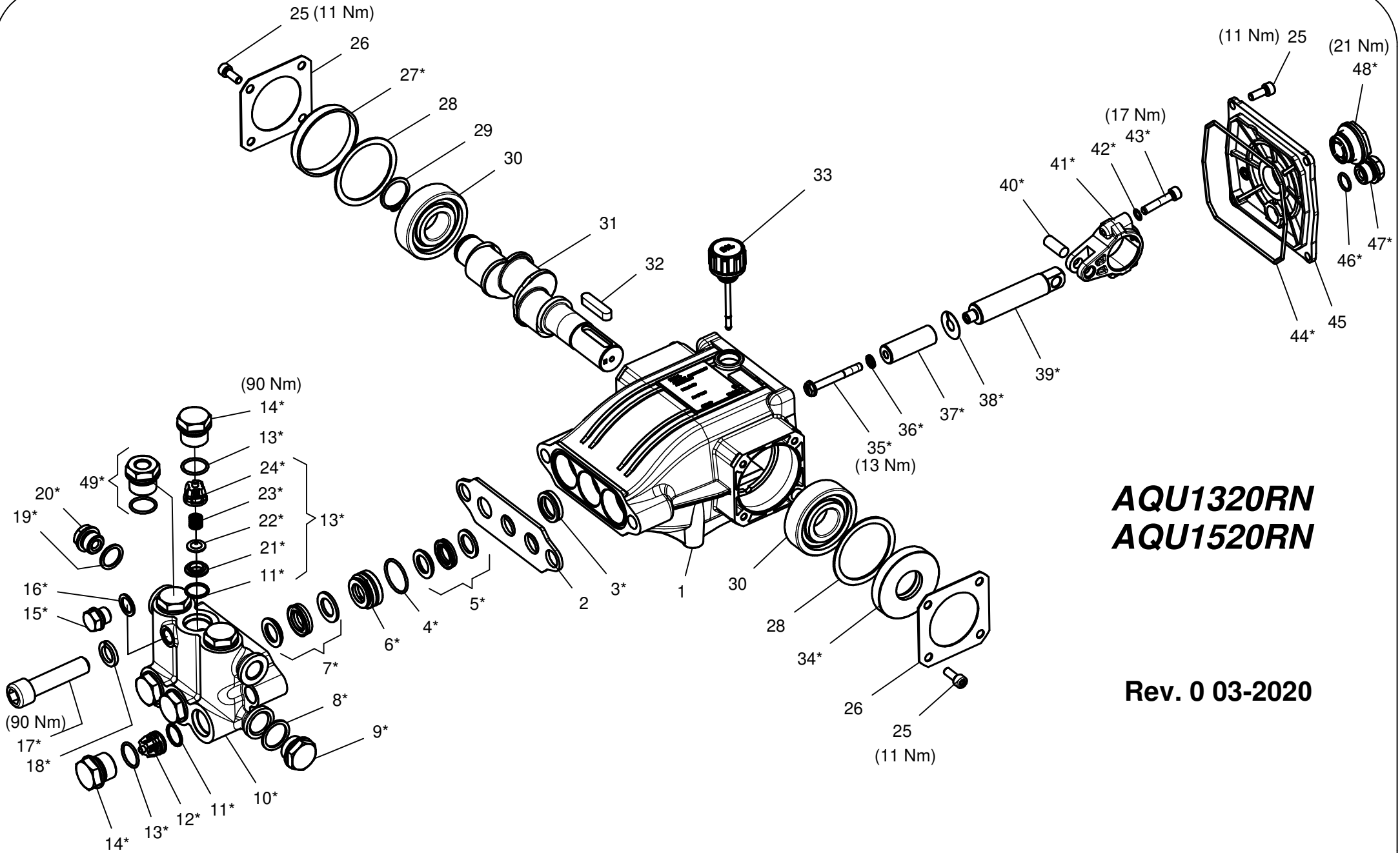
Pump Pompa	Pressure Pressione		Volume Portata				RPM giri/min		Power Potenza			
			l/min		GPM				HP		kW	
	bar	PSI	50 Hz	60 Hz	50 Hz	60 Hz	50 Hz	60 Hz	50 Hz	60 Hz	50 Hz	60 Hz
AQU1320RN	200	2900	13.0	15.5	3.4	4.0	1450	1740	6.7	7.7	4.9	5.7
AQU1520RN	200	2900	15.0	18.0	4.0	4.7	1450	1740	7.7	9.2	5.7	6.8



Dimensioni d'ingombro

Overall dimensions





**AQU1320RN
AQU1520RN**

Rev. 0 03-2020

**HAWK
Pompe Serie NHD PLUS 2020
NHD PLUS Pumps 2020 Serie**

NHDP AQUAGROUP 2020 SERIES

ORDINARY MAINTENANCE KIT / KIT MANUTENZIONE ORDINARIA

KIT	Item Pos.	Part Number Codice	Description	Descrizione	Q.TY by Pump Q.TA per Pompa	AQ1320RN	AQ1520RN
A	4- 5- 7- 17	1.905-736.0	PLUNGER SEALS DIA. 16 mm	GUARNIZIONI PISTONE Ø16	1		
B	11- 12 (21 22- 23- 24) 13	1.905-617.0	COMPLETE VALVE	VALVOLA COMPLETA	1	•	•

EXTRAORDINARY MAINTENANCE KIT / KIT MANUTENZIONE STRAORDINARIA

KIT	Item Pos.	Part Number Codice	Description	Descrizione	Q.TY by Pump Q.TA per Pompa	AQ1320RN	AQ1520RN
C	4- 5- 6- 7- 17	1.905-737.0	COMPLETE SEALS PACKING DIA. 16 mm	PACCO COMPLETO GUARNIZIONI PISTONE Ø16	1		
D	35- 36- 37 38	1.099-738.0	PLUNGER DIA. 16 mm	PISTONE Ø16	3		
E	3	1.099-740.0	PLUNGER OIL SEALS	ANELLI TENUTA OLIO ASTA	1		
F	27- 34- 44 46- 47- 48	1.905-624.0	KIT CRANKCASE SEALS	KIT TENUTE CARTER	1		
G	4- 5- 6- 7- 8 9- 10- 11- 12 (21- 22- 23 24) 13- 14 15- 16- 17 18- 19- 20	1.905-738.0	COMPLETE MANIFOLD	TESTATA COMPLETA	1	•	•
H	39- 40- 41 42- 43	1.905-742.0	CONNECTING ROD PLUNGER ROD ASSY	PREMONTATO ASTA-BIELLA PISTONE	3		
I	13- 14	1.904-212.0	VALVE PLUG ASSY	PREMONTATO TAPPO VAM	6		

“Q.TY by Pump” => Necessary quantity to repair one pump
 “Q.TA’ per Pompa” => Quantità necessaria per riparare una pompa

OPTIONAL

LEUCO S.p.A.

Rev. 0 03-20

<i>Item Pos.</i>	<i>Part Number Codice</i>	<i>Description</i>	<i>Descrizione</i>	<i>Q.TY by Pump Q.TA per Pompa</i>	<i>AQ1320RN</i>	<i>AQ1520RN</i>
49	9.853-425.0	THREADED BRASS PLUG G1/4	PREMONTATO TAPPO FORATO	1	•	•

TOOL KIT

<i>Part Number Codice</i>	<i>Description</i>	<i>Descrizione</i>	<i>Q.TY by Pump Q.TA per Pompa</i>	<i>AQ1320RN</i>	<i>AQ1520RN</i>
1.099-668.0	TOOL-KIT	TOOL-KIT	1	•	•
1.904-416.0	TOOL KIT EXTRAORDINARY	TOOL-KIT STRAORDINARIO	1	•	•

IMPORTANT

IMPORTANTE

* **Part available ONLY in kit**
Disponibile SOLO in kit

(...) **Parts pre-assembled**
Parti pre-assemblate

PARTS LIST LISTA PARTI

Item Pos	Part Number Codice	Description	Descrizione	KIT	Q.TY Q.TA	AQ1320RN	AQ1520RN
1	9.850-369.0	CRANKCASE	CARTER		1		
2	9.853-555.0	SPACER	DISTANZIATORE		1		
3*		PLUNGER OIL SEAL	ANELLO RADIALE	E	3		
4*		"O" RING Ø1.78X26.7	"O" RING Ø1.78X26.7	A-C-G	3		
5*		"U" SEAL, DIA. 16 MM	ANELLO TENUTA "U" Ø16	A-C-G	3		
6*		PRESSURE RING DIA. 16 MM	PRESSORE "U" Ø16	C-G	3		
7*		"U" SEAL, DIA. 16 MM	ANELLO TENUTA "U" Ø16	A-C-G	3		
8*		COPPER WASHER G1/2	GUARNIZIONE RAME G1/2	G	1		
9*		BRASS PLUG G1/2	TAPPO OTTONE G1/2	G	1		
10*		MANIFOLD HOUSING	TESTATA	G	1		
11*		"O" RING Ø1.78X15.6	"O" RING Ø1.78X15.6	B-G	6		
12*		VALVE ASSEMBLY	VALVOLA PREMONTATA	B-G	6		
13*		"O" RING Ø1,78X18.77	"O" RING Ø1.78X18.77	B-G-I	6		
14*		VALVE PLUG	TAPPO VALVOLA	G-I	6		
15*		BRASS PLUG G1/4	TAPPO OTTONE G1/4	G	1		
16*		COPPER WASHER G1/4	GUARNIZIONE RAME G1/4	G	1		
17*		MANIFOLD STUD BOLT M14X60	VITE TCEI M14X60	A-C-G	2		
18*		LOCK-WASHER	ROSETTA ELASTICA Ø14	G	2		
19*		COPPER WASHER G3/8	GUARNIZIONE RAME G 3/8	G	1		
20*		BRASS PLUG G 3/8	TAPPO OTTONE G 3/8	F-G	2		
21*		VALVE SEAT	SEDE VALVOLA	B-G	6		
22*		VALVE PLATE	PIATTELLO VALVOLA	B-G	6		
23*		VALVE SPRING	MOLLA VALVOLA	B-G	6		
24*		VALVE CAGE	GABBIA VALVOLA	B-G	6		
25	9.851-474.0	SCREW M6X16	VITE TCEI M6X16		12		
26	9.850-379.0	BEARING COVER	COPERCHIO CUSCINETTO		2		
27*		BEARING SEAL	CAPPELLOTTO CUSCINETTO	F	1		
28	9.850-554.0	CRANKSHAFT SEAL SPACER	DISTANZIALE PARAOLIO ALBERO		2		
29	9.851-198.0	SNAP RING DIA. 25 MM	ANELLO Ø25		1		
30	9.850-460.0	BALL BEARING	CUSCINETTO A SFERE		2		
31	9.850-220.0	SINGLE-ENDED SHAFT	ALBERO SEMPLICE P.D.F		1		•
	9.850-228.0	" " "	" " "		1	•	
32	9.850-446.0	CRANKSHAFT KEY	CHIAVETTA		1		
33	9.851-286.0	OIL DIP STICK	TAPPO LIVELLO OLIO		1		
34*		CRANKSHAFT SEAL	ANELLO RADIALE	F	1		
35*		PLUNGER BOLT	VITE PISTONE	D	3	•	•
36*		BONDED SEAL - Ø6,7X11X1 AISI 304	BONDED SEAL - Ø6,7X11X1 AISI 304	D	3		
37*		PLUNGER DIA. 16 MM	PISTONE Ø16	D	3		

Item Pos	Part Number Codice	Description	Descrizione	KIT	Q.TY Q.TÀ	AQ1320RN	AQ1520RN
38*		COPPER SPACER	ROSETTA RAME	D	3		
39*		PLUNGER ROD	ASTA PISTONE	H	3		
40*		CONNECTING ROD PIN	SPINOTTO	H	3		
41*		CONNECTING ROD	BIELLA	H	3		
42*		SPRING WASHER DIA. 6 MM	ROSETTA SCHNORR Ø6	H	6		
43*		CONNECTING ROD SCREW	VITE M6X30	H	6	•	•
44*		"O" RING Ø2.62X111.62	"O" RING Ø2.62X111.62	F	1		
45	9.850-392.0	CRANKCASE COVER	COPERCHIO POSTERIORE		1		
46*		"O" RING Ø1.78X14	"O" RING Ø1.78X14	F	1		
47*		BRASS PLUG G 3/8	TAPPO OTTONE G 3/8	F	1		
48*		SIGHT GLASS G3/4	SPIA LIVELLI OLIO G3/4	F	1		