

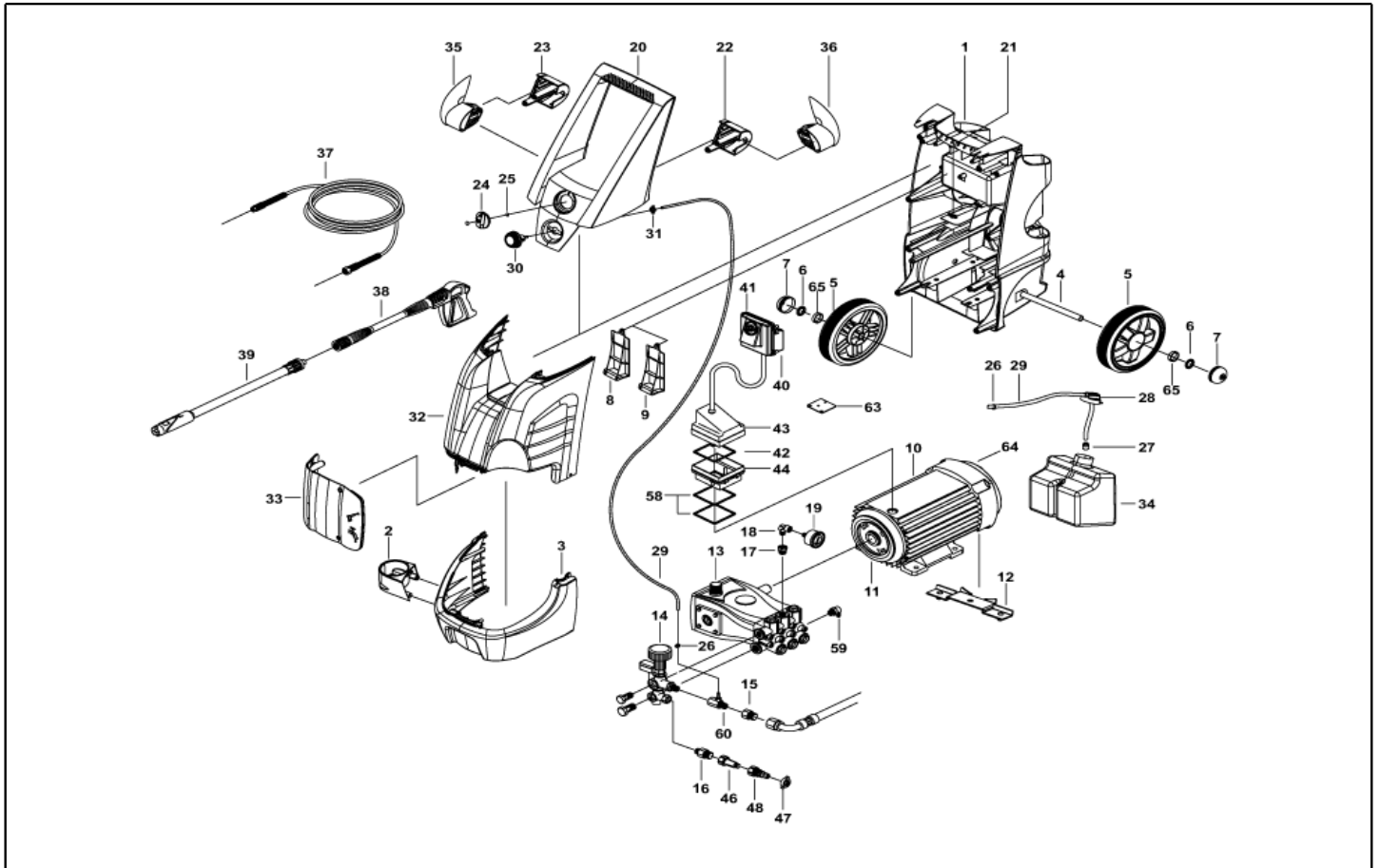


IPC

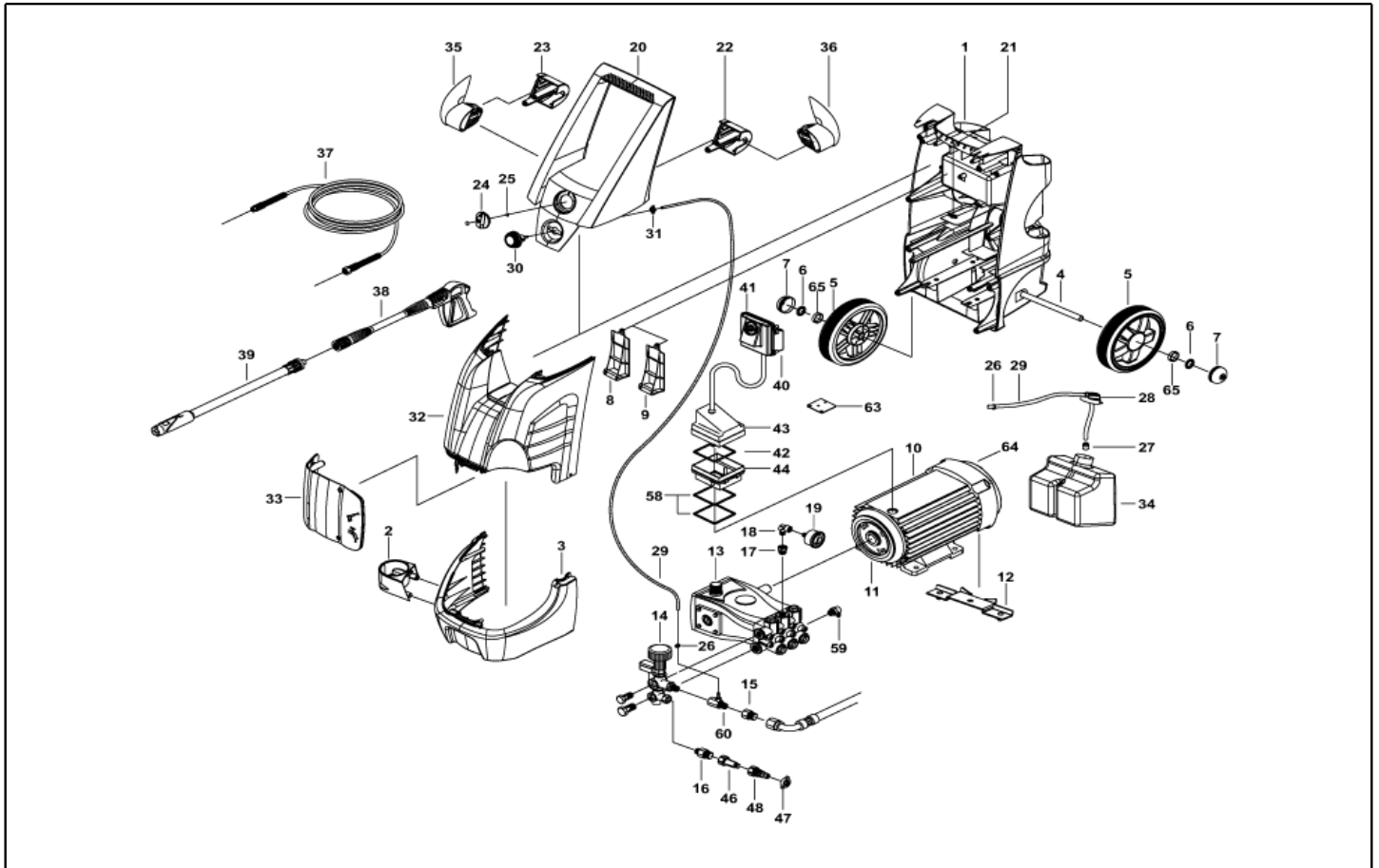
Spare parts list

Ref: IDAF94192

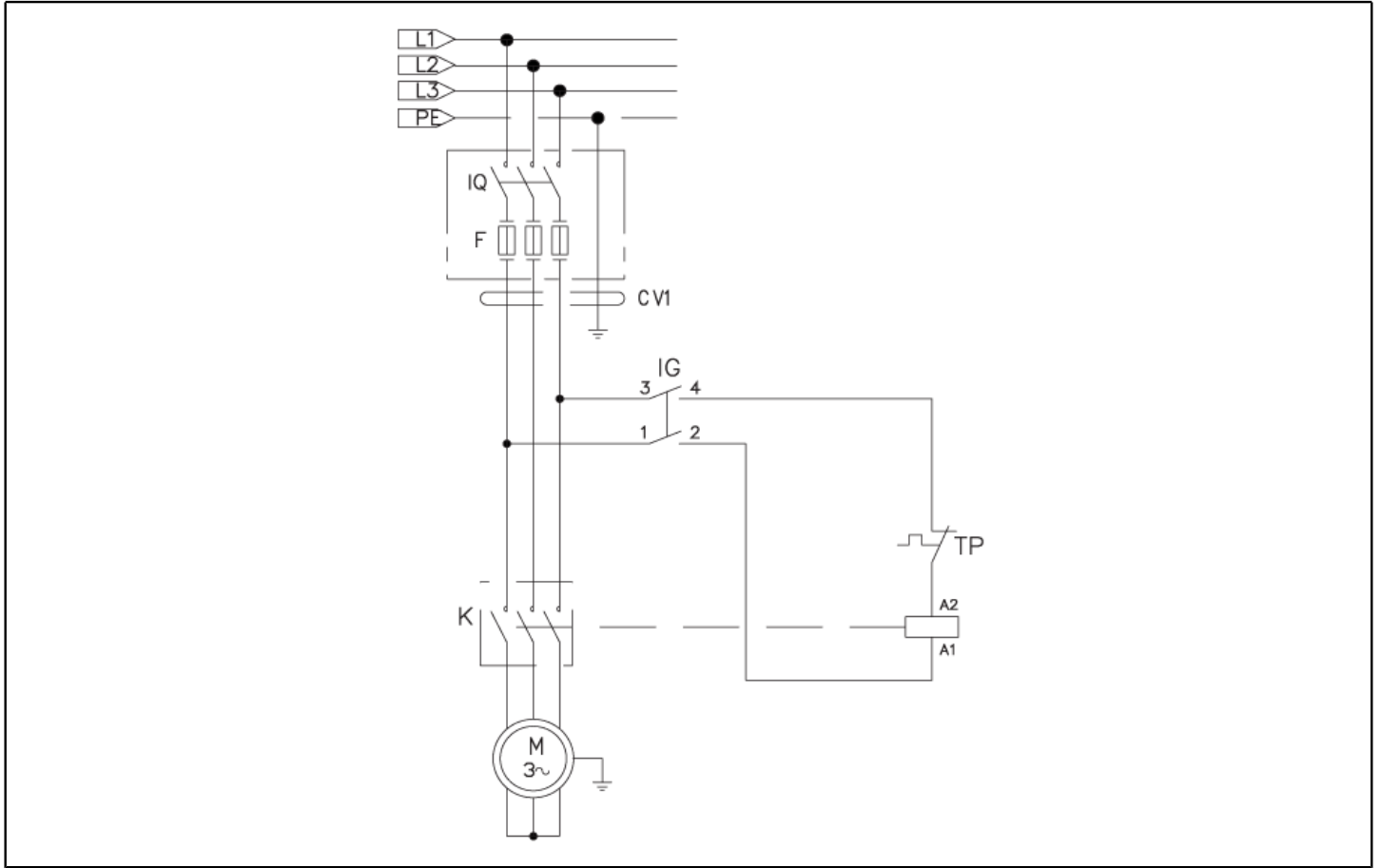
Model: H.P. CLEANER G.POWER-C 1813P T400/50PR



Ref. K	Part n.	Part n. 2	Description	Quantity	Validity		Price
					From	To	
0001	MPVR94335		FRAME "SERIE G-LINE" M90	1,00			--
0002	MPVR94333		SUPPORT LANC. "G-LINE" NERO	1,00	01/08/2012		--
0003	MPVR94331		BAND ANT. "G-LINE" NERA	1,00			--
0004	LAFN92146		WHEELS AXLE G LINE. AC ZC.	1,00	23/05/2012		--
0005	RTRT91967		WHEEL D.200 "S.G" GR.	2,00			--
0006	VTRS60945		WASHER D.15	2,00			--
0007	MPVR91970		GREY HUB CAP "SERIE G"	2,00			--
0008	MPVR93244		PLATE TELAIO "SERIE G" DX	1,00			--
0009	MPVR93245		PLATE TELAIO "SERIE G" SX	1,00			--
0010	MOTR40038		3PH MOTOR C25/AC HP 5.5 2/4-50 2P	1,00	13/07/2012	31/01/2014	--
0010	MOTR40037		3PH MOTOR B3-B14/AC HP5.5 400-502PF	1,00	01/02/2014	11/06/2014	--
0010	MOTR40052		3PH MOTOR B3-B14/AC HP5.5 2/4-502PF	1,00	12/06/2014		--
0012	LAFN40533		MOTOR SUPPORT PW-C25 EME ZC.	2,00	09/11/2012		--
0013	PPAP40056		PUMP RCS 13.18 DX N	1,00			--
0014	VVAZ40059		VALVE AR M.MATIC 4/B-RC SI.2	1,00	12/12/2012		--
0015	RCIN03753		MALE COUPLING M22-3/8 M-FA	1,00		18/07/2013	--
0016	RCDS87610		NIPPLE 3/4 - 1/2 CB D.13.0	1,00			--
0017	PVVR40183		CAP AR RC C/F. 1/8F+OR	1,00			--
0018	RCLR34780		ELBOW 1/8" M/F A10	1,00			--
0019	MNMN93800		PRESSURE GAUGE 1/8 POST. 0-300 D.40 S/ST	1,00			--
0020	MPVR92124		HANDLE "SERIE PRO" BOSCH	1,00			--
0021	MPVR60495		CLAMP HOBBY	1,00			--
0022	MPVR92113		HOSE WIND.SUPP. "SERIE G" SX	1,00			--
0023	MPVR92114		HOSE WIND.SUPP. DX "SERIE G" S/AVTB	1,00			--
0024	MPVR93837		SWITCH KNOB SERIE "G"	1,00	03/04/2012		--
0025	GUGO01060		O-RING D. 9.92 X 2.62 NBR 70SH	1,00			--
0026	FSVR72803		CLAMP D 9.3 - 9.9	2,00			--
0027	MPVR60422		SUCTION FILTER DETERG.HOBBY 90	1,00			--
0028	MPVR91923		TANK CAP "G160"	1,00			--
0029	TBBP93804		L.P. HOSE D. 6 - 9	1,07	04/09/2012		--
0030	MPVR93459		WING NUT RUBINETTO 3VIE H122	1,00			--
0031	RCGR93687		TAP "G" TAMP. 1T	1,00			--
0032	MPVR94339		RED COVER "G-LINE"	1,00			--
0033	MPVR94332		FRONT PANEL "G-LINE" TRASPARENTE	1,00			--
0034	MPVR92133		DETERGENT TANK "SERIE G" LT 3	1,00			--
0035	MPVR92116		HOOK "SERIE G" DX	1,00			--
0036	MPVR92117		HOOK "SERIE G" SX	1,00			--
0037	TBAP28305		H.P. HOSE SAE MT 8 D.6 IRV F-F KSM	1,00			--
0038	IPPR40010		GRIP G 5100+P.330 +M22 SW.M V	1,00		29/02/2016	--
0038	IPPR40020		GRIP G 6000+P.330 +M22 SW.M V	1,00	01/03/2016	14/06/2018	--
0038	IPPR40025		GRIP G 6000+P.330 +M22 SW.M 2V	1,00	15/06/2018		--
0039	LCPR40046		EXTENSION P 580 - T10P 1.50 AZZ	1,00			--
0040	MPVR91921		BASE SCAT.EL. SERIE "G"	1,00			--
0041	MPVR91919		BOX COVER "G160"	1,00			--



Ref. K	Part n.	Part n. 2	Description	Quantity	Validity		Price
					From	To	
0042	GUGO33675		JOINT MOUSSE D. 4	0,40	01/08/2012		--
0042	GUVR82555		JOINT D. 4	0,40		31/07/2012	--
0043	MPVR40619		COVER SC.EL. FT200 S2 +P.IX	1,00	14/02/2014		--
0043	MPVR80674		COVER SC.EL. FT200 S2	1,00	22/09/2012	13/02/2014	--
0044	MPVR40428		BUSHING PWC25 M90 C/F.BP.T.	1,00	11/09/2012		--
0046	FTAC91274		WATER FILTER 3/4 M.F.	1,00			--
0047	RCVR29602		CONNECTOR D. 1/2"-5/8" PTC	1,00			--
0048	RCVR29600		SOCKET PTC 3/4 F	1,00			--
0058	GUGO40014		GASKET FTP -MEC 90	1,00	09/11/2012	31/01/2014	--
0058	GUGO10881		GASKET M.EL. 73X73	1,00	01/03/2017		--
0059	VVSC40021		VALVE 1/2" ML610 56° 10b.	1,00	15/05/2018		--
0059	VVSC40550		VALVE 1/2" 56°C	1,00		14/05/2018	--
0060	EIDT40007		EJECTOR 3/8 F/M D.1.8 MV300	1,00	12/12/2012	18/07/2013	--
0060	EIDT40009		EJECTOR M22-3/8 M/F D.1.8 MV300	1,00	19/07/2013	13/11/2014	--
0060	EIDT40012		EJECTOR M22-3/8 M/F D.1.7 MV300	1,00	14/11/2014		--



Ref. K	Part n.	Part n. 2	Description	Quantity	Validity		Price
					From	To	
K	METT40013		CONTACTOR SIE 3RT 2017-1AV01 400V	1,00	15/10/2014		--
K	METT40664		CONTACTOR SIE 3RT 1017 1AV01 400V	1,00	11/09/2012	14/10/2014	--
IG	MECI93803		SWITCH AQUA 3022/56 A AC + HOLE	1,00			--
CV1	MECB64233		CABLE H07 RNF 4X1.5 L=5.500	1,00	11/09/2012		--



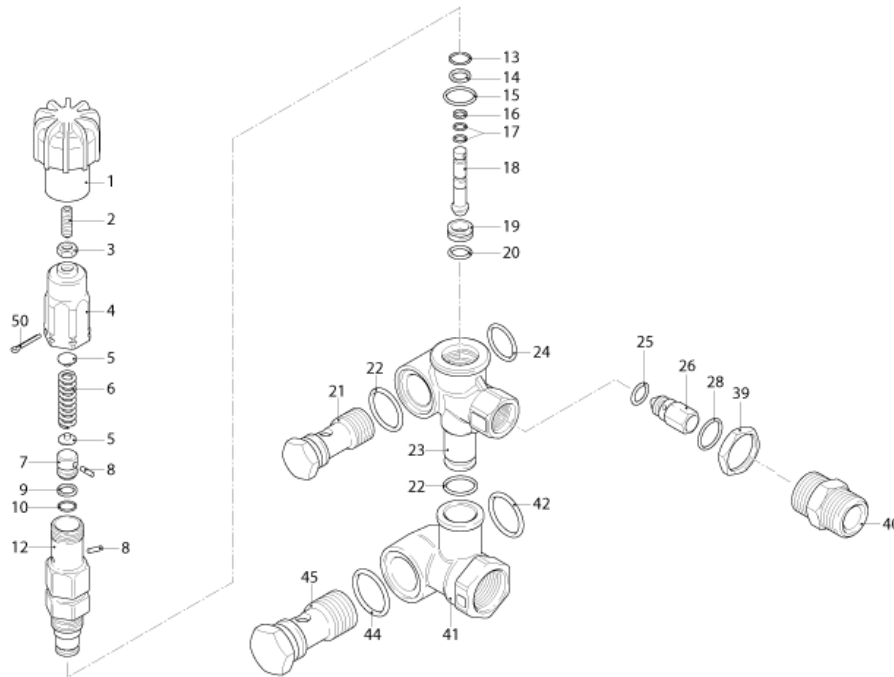
Ref. K	Part n.	Part n. 2	Description	Quantity	Validity		Price
					From	To	
0001	PVVR40120		CAP AR RC	6,00			--
0002	GUGO03505		O-RING D. 15.6 X 1.78 NBR 70SH	6,00			--
0003	S VVAM40002		VALVE UNIT RC	6,00		31/07/2012	--
0003	S VVAM40002		VALVE UNIT RC	3,00	01/08/2012		--
0004	VTVT06236		SCREW TCCE UNI 5931 6X40 ZB	8,00			--
0005	VTRS01077		WASHER D. 6.4X10X0,7	8,00			--
0006	MFVR40026		HEAD AR RCS OT.	1,00			--
0007	GUGO19245		O-RING D. 17.5 X 2 NBR 70SH	1,00			--
0008	PVVR40121		CAP 1/2 M RC	1,00			--
0009	GUGO09720		O-RING D. 14 X 1.78 NBR 70SH	1,00			--
0010	PVVR40099		CAP 3/8 M HRM	1,00			--
0011	S PVVR40158		HEAD RING D. 15 RCS	3,00			--
0012	S GUVR40028		PACKING D. 15 XJS	3,00			--
0013	PVVR40159		INTERMED. RING D. 15 RCS	3,00			--
0014	S GUVR40041		PACKING D. 15 RCS L.P.	3,00			--
0015	S GUVR40042		ANTI-EXTR.RING D.15	3,00			--
0016	S GUGO08182		O-RING D. 21.91 X 1.78 NBR 70SH	3,00			--
0017	PVVR40160		PACKING RETAIN. D. 15 RCS	3,00			--
0018	MFVR40027		PUMP CRANKCASE AR RCS	1,00			--
0019	CUVR28336		BALL BEARING 6304	1,00			--
0020	VTAE09661		CIRCLIP D. 52 UNI 7437	1,00			--
0021	VTAE06193		CIRCLIP D. 20 UNI 7435	1,00			--
0022	GUGO02561		O-RING D. 47.3 X 2.62 NBR 70SH	1,00			--
0023	PVVR40125		DISC RC	1,00		31/03/2016	--
0023	PVVR40472		OIL INDICATOR RC CPL.	1,00	01/04/2016		--
0024	PVVR40126		OIL INDICATOR RC	1,00		31/03/2016	--
0025	MFVR40021		CRANKCASE COVER AR RC LT.	1,00			--
0026	VTVT01531		SCREW TE 6X 16 UNI 5739	8,00			--
0027	PVVR19231		OIL CAP XTS	1,00		31/03/2014	--
0027	PVVR40436		OIL CAP RC	1,00	01/04/2014		--
0028	VTDD00483		NUT M 8 ZIN UNI 5588	3,00			--
0029	VTRS19394		WASHER D. 8X13X0,5	3,00			--
0030	S PIVR19232		PISTON D. 15 XTS	3,00			--
0031	PVVR19233		DISC XTS	3,00			--
0032	S GUGO09690		OIL SEAL 15X 24X 5 NBR70	3,00			--
0033	GUGO08071		O-RING D. 4.48 X 1.78 NBR 70SH	3,00			--
0034	PVVR40127		PISTON GUIDE RC	3,00			--
0035	BLVR40001		CONNECTING ROD RC	3,00			--
0036	PVVR40128		GUIDGEON D. 9X23 RC	3,00			--
0037	GUGO18695		O-RING D. 101.27 X 2.62 NBR 70SH	1,00			--
0038	MFVR40022		CRANKCASE COVER AR RC	1,00			--
0039	GUGO01036		O-RING D. 10.82 X 1.78 NBR 70SH	1,00			--
0040	PVVR40129		CAP 1/4 M RC	1,00			--
0041	VTVT09913		SCREW TCEI 6X16 UNI5931	4,00			--



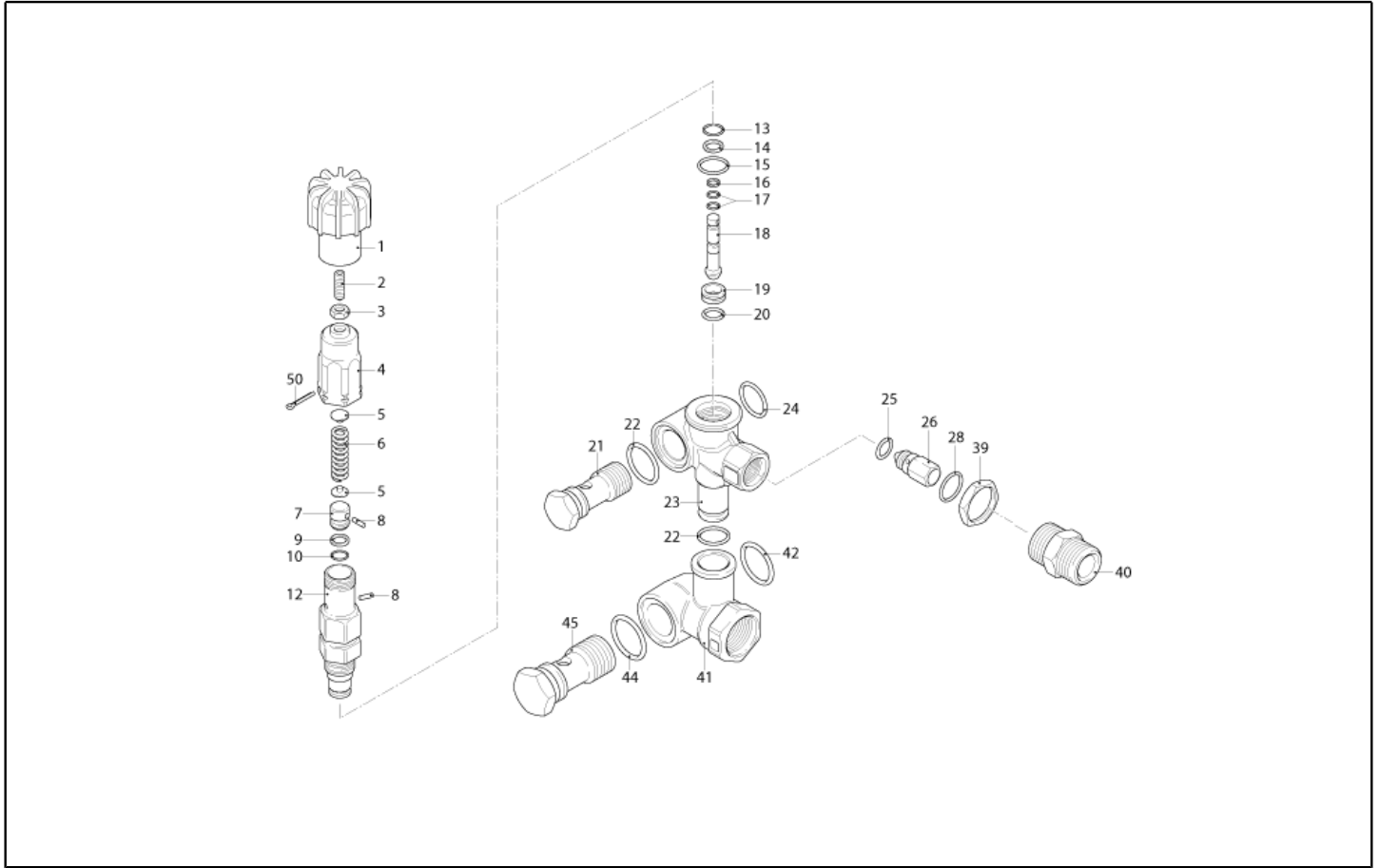
Ref. K	Part n.	Part n. 2	Description	Quantity	Validity		Price
					From	To	
0042	ALMO40010		SHAFT AR RCS 13LT VRS. N	1,00			--
0043	VTVR41531		KEY 8X 7X35 UNI 6604A	1,00			--
0044	CUVR23636		ROLLER BEARING HK 4516	1,00			--
0045	S GUGO00999		OIL SEAL 25X 52X 7 NBR70	1,00			--
0050	S VVAM40007		VALVE UNIT RC ASP. BK	3,00	01/08/2012		--
0051	PVVR40437		RING D. 51.8 X0.5	1,00	01/04/2014		--



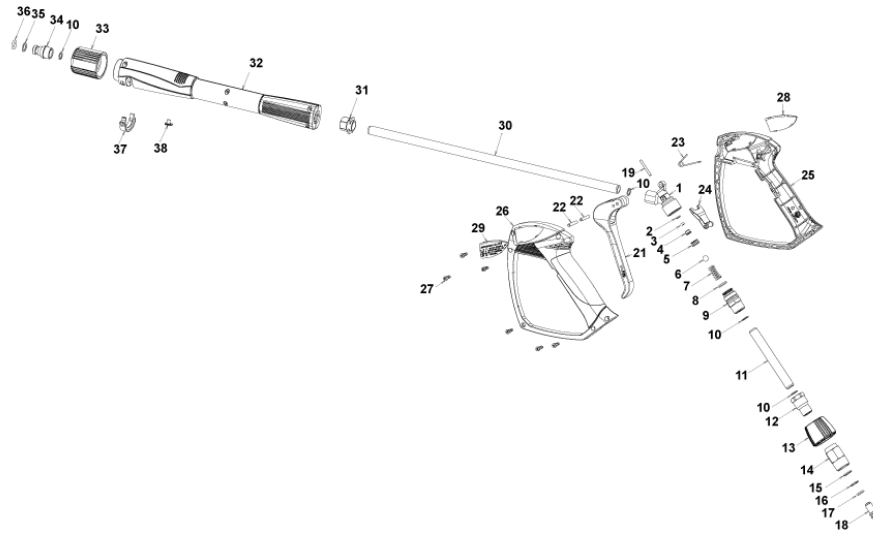
Ref. Part n.	Part n. 2	Description	Reference	Price
KTRI40092		KIT P 15-2186 RC	0003	--
KTRI40096		KIT P 15-42918 RC	0032 0045	--
KTRI40139		KIT P 15-42920 D.15 RCS	0030	--
KTRI40140		KIT P 15-42921 D.15 RCS	0012 0014 0015 0016	--
KTRI40141		KIT P 15-2191 D.15 RCS	0011	--
KTRI40207		KIT P 15-42914 RC 3+3 BL./WH.	0003 0003	--



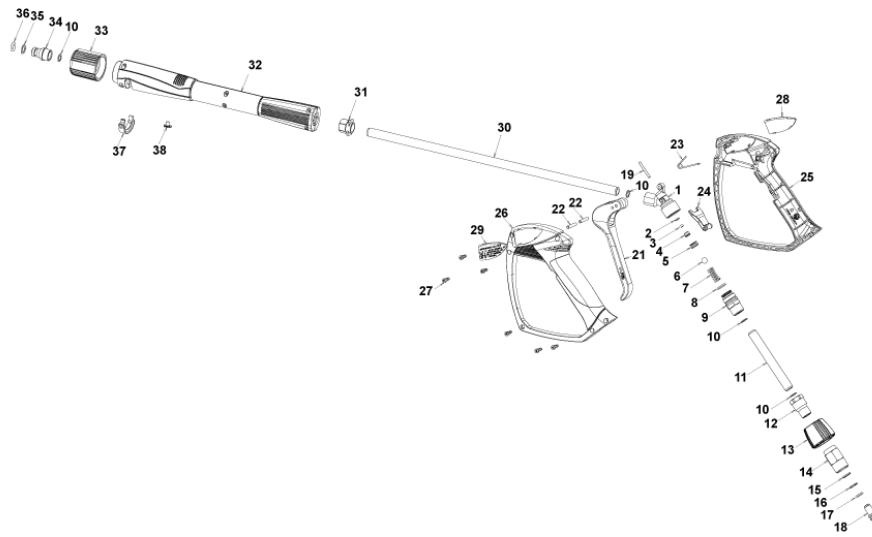
Ref. K	Part n.	Part n. 2	Description	Quantity	Validity		Price
					From	To	
0001	PVVR40227		KNOB M.MT/4B	1,00			--
0002	VTVT20261		SCREW EI-ST 6X20 UNI5923	1,00			--
0003	VTDD00482		NUT M 6 ZIN UNI 5588	1,00			--
0004	PVVR40236		KNOB M.MT/4B	1,00			--
0005	PVVR40067		SPRING PLATE AR XJS	2,00			--
0006	MLML40007		SPRING D. 10.8X48.9 D.2.8 XJS	1,00			--
0007	S PVVR40068		SMALL PISTON AR XJS SP.	1,00			--
0008	S VTVR19193		PLUG D. 2.5X10	1,00			--
0009	S GUVR40026		ANTI-EXTR.RING D. 8	1,00			--
0010	S GUGO06988		O-RING D. 7.66 X 1.78 NBR 70SH	1,00		30/06/2013	--
0010	S GUGO40179		O-RING D. 8 X 2 NBR 70SH	1,00	01/07/2013		--
0012	S PVVR40069		PISTON GUIDE AR XJS	1,00		30/06/2013	--
0012	S PVVR40385		PISTON GUIDE AR XJS 2V.	1,00	01/07/2013		--
0013	S GUGO09720		O-RING D. 14 X 1.78 NBR 70SH	1,00			--
0014	S GUGO63403		O-RING D. 8.73 X 1.78 NBR 70SH	1,00			--
0015	S GUGO02259		O-RING D. 15.54 X 2.62 NBR 70SH	1,00			--
0016	S GUVR40027		ANTI-EXTR.RING D. 3.7	1,00			--
0017	S GUGO19189		O-RING D. 2.90 X 1.78 NBR 70SH	1,00			--
0018	S PVVR40070		CONTROL PISTON AR XJS IF.	1,00			--
0019	S PVVR40071		VALVE SEAT AR XJS	1,00			--
0020	S GUGO41692		O-RING D. 9 X 1 NBR 70SH	1,00			--
0021	RCDS40068		SCREW G 3/8 M.MATIC 4/B OT.	1,00			--
0022	GUGO01047		O-RING D. 11.91 X 2.62 NBR 70SH	2,00			--
0023	PVVR40130		VALVE BODY M.MATIC 4/B	1,00			--
0024	GUGO19395		O-RING D. 20.24 X 2.62 NBR 70SH	1,00			--
0025	S GUGO12494		O-RING D. 4 X 2.5 -NBR 70SH	1,00			--
0026	S PVVR40074		COUPLING N.RIT. XJS	1,00			--
0027	MLML32257		SPRING D. 6.5 X14 D.0.5	1,00		30/06/2013	--
0028	S GUGO11652		O-RING D. 12.42 X 1.78 NBR 70SH	1,00			--
0039	VTDD40003		LOCKNUT M20x1	1,00			--
0040	RCDS40069		NIPPLE G 3/8 M.MATIC 4/B	1,00			--
0041	PVVR40131		CONNECTOR M.MATIC 4/B	1,00			--
0042	GUGO76542		O-RING D. 23.47 X 2.62 NBR 70SH	1,00			--
0044	GUGO01058		O-RING D. 17.17 X 1.78 NBR 70SH	1,00			--
0045	RCDS40070		SCREW G 1/2 M.MATIC 4/B	1,00			--
0050	VTVR40025		SPLIT PIN D. 2.6X15	1,00			--
0062	S GUGO40031		O-RING D. 3.68 X 1.78 NBR 90SH	1,00			--



Ref. Part n.	Part n. 2	Description	Reference	Price
KTRI40127		KIT P 14-100 M.MATIC 4/B	0007 0008 0009 0010 0012 0013 0014 0015 0016 0017 0018 0019 0020 0062	--
KTRI40128		KIT P 14-101 M.MATIC 4/B CK.V.	0025 0026 0028	--



Ref. K	Part n.	Part n. 2	Description	Quantity	Validity		Price
					From	To	
0001	PVVR40381		GUN BODY G 5100 G1/4F	1,00			--
0002	S	GUVR40074	ANTI-EXTR.RING D. 3 X 7.4X1.3	1,00			--
0003	S	GUGO21835	O-RING D. 2.84 X 2.62 VIT. 80SH	1,00			--
0004	PVVR40382		PISTON GUIDE G 5100	1,00			--
0005	S	PVVR40112	BALL SEAT G 5000	1,00			--
0006	S	SFVR27026	BALL D.11/32" INX	1,00			--
0007		MLML40016	SPRING D. 9.4 x21.5x1.6 G5000	1,00			--
0008		GUGO12322	O-RING D. 14 X 1.78 NBR 90SH	1,00			--
0009		PVVR40383	CONNECTOR COLL.G5100 1/4F	1,00			--
0010		VTRS40017	WASHER D. 8.2X11,4X1.00	4,00			--
0011		PVVR40384	TUBE G 1/4" L.105	1,00			--
0012		RCIN40022	CONNECTOR SWIV G5100 1/4F	1,00			--
0013		MPVR40486	RING NUT G 5100 SW. GR.	1,00			--
0014		RCIN40021	JOINT SWIV 5100 M22	1,00			--
0015	S	GUVR40075	ANTI-EXTR.RING D. 10 X14X1.5	1,00			--
0016	S	GUVR40076	ANTI-EXTR.RING D. 11.2X14X1.2	1,00			--
0017	S	GUGO15295	O-RING D. 10.82 X 1.78 VIT 75SH	1,00			--
0018		PVVR40386	SCREW SW. G 5100	1,00			--
0019		PVVR40387	SMALL PISTON G 5100	1,00			--
0021		MPVR40487	TRIGGER G 5100-SW	1,00			--
0022		VTVR40047	PLUG D. 4X29	2,00			--
0023		MLML40029	SPRING G 5100	1,00			--
0024		MPVR40488	SAFETY-DEVICE G 5100-SW	1,00			--
0025		MPVR40489	SHELL G 5100-SW DX	1,00			--
0026		MPVR40490	SHELL G 5100-SW SX	1,00			--
0027		VTVT40043	SCREW AF 4X 14 HILO ZN.N	6,00			--
0028		MPVR40491	PLATE G 5100 GR.DX	1,00			--
0029		MPVR40492	PLATE G 5100 GR.SX	1,00			--
0030		LCPR40086	TUBE 1/4 L=420 ZC. 0°	1,00			--
0031		MPVR40493	CONNECTOR G 5100-SW	1,00			--
0032		MPVR40494	PROTECTION P 420 C/AN.	1,00			--
0033		PVVR40119	CONNECTION M22X1.5 IRV G5000	1,00			--
0034		RCIN40009	GUDGEON G 1/4 F IRV G5000	1,00			--
0035		GUVR40034	ANTI-EXTR.RING D. 10 X14	1,00			--
0036		GUGO01946	O-RING D. 9.13 X 2.62 VIT 70SH	1,00			--
0037		MPVR40495	CAP G 5100 REM.	1,00			--
0038		MPVR40198	CAP G 5000	1,00			--



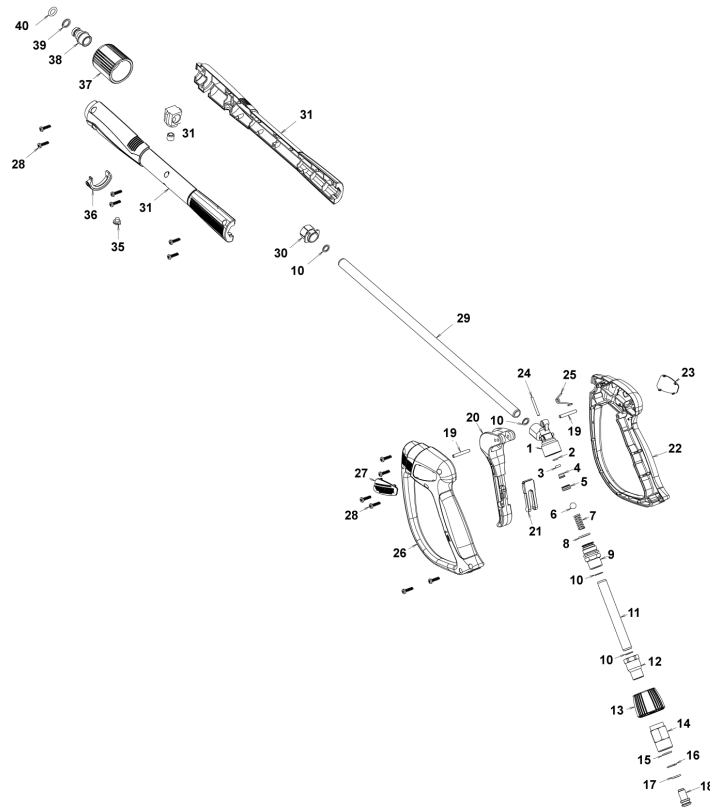
Ref. Part n.	Part n. 2	Description	Reference	Price
KTRI40242		KIT P 26- 25 G 5100	0002 0003 0005 0006	--
KTRI40243		KIT P 26- 26 SWIVEL G 5100	0015 0016 0017	--



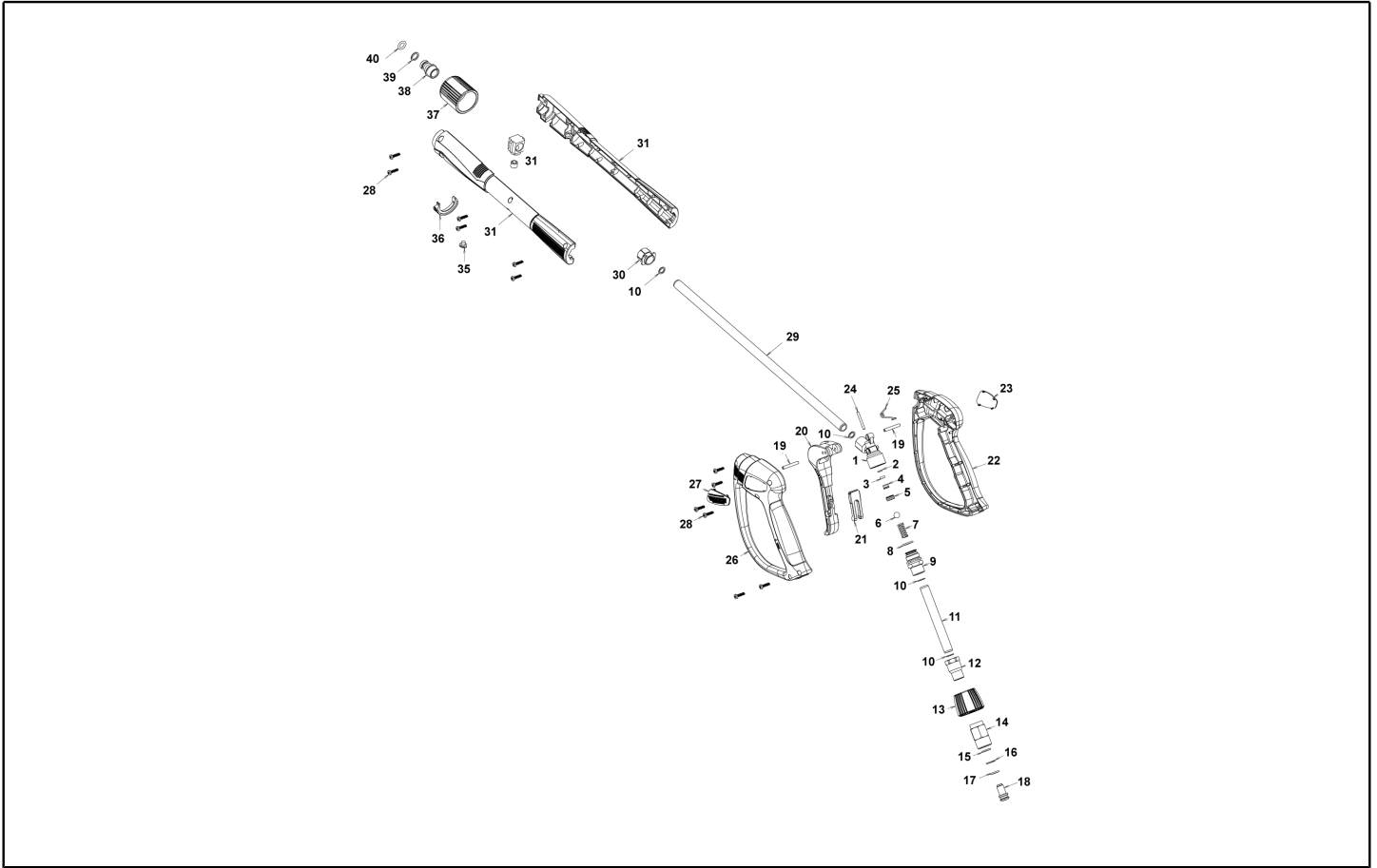
Ref. K	Part n.	Part n. 2	Description	Quantity	Validity		Price
					From	To	
0001	PVVR40381		GUN BODY G 5100 G1/4F	1,00			--
0002	S	GUVR40074	ANTI-EXTR.RING D. 3 X 7.4X1.3	1,00			--
0003	S	GUGO21835	O-RING D. 2.84 X 2.62 VIT. 80SH	1,00			--
0004		PVVR40382	PISTON GUIDE G 5100	1,00			--
0005	S	PVVR40112	BALL SEAT G 5000	1,00			--
0006	S	SFVR40002	BALL D.11/32" ALL GR16	1,00			--
0007		MLML40016	SPRING D. 9.4 x21.5x1.6 G5000	1,00			--
0008		GUGO12322	O-RING D. 14 X 1.78 NBR 90SH	1,00			--
0009		PVVR40383	CONNECTOR COLL.G5100 1/4F	1,00			--
0010		VTRS40017	WASHER D. 8.2X11,4X1.00	4,00			--
0011		PVVR40384	TUBE G 1/4" L.105	1,00			--
0012		RCIN40022	CONNECTOR SWIV G5100 1/4F	1,00			--
0013		MPVR40819	RING NUT G 5100 SW. BK.	1,00			--
0014		RCIN40021	JOINT SWIV 5100 M22	1,00			--
0015	S	GUVR40075	ANTI-EXTR.RING D. 10 X14X1.5	1,00			--
0016	S	GUVR40076	ANTI-EXTR.RING D. 11.2X14X1.2	1,00			--
0017	S	GUGO15295	O-RING D. 10.82 X 1.78 VIT 75SH	1,00			--
0018		PVVR40386	SCREW SW. G 5100	1,00			--
0019		VTVR40047	PLUG D. 4X29	2,00			--
0020		MPVR40820	TRIGGER G 6000-SW	1,00			--
0021		MPVR40821	SAFETY-DEVICE G 6000-SW	1,00			--
0022		MPVR40822	SHELL G 6000-SW DX	1,00			--
0023		MPVR40823	PLATE G 6000 GR.DX	1,00			--
0024		PVVR40387	SMALL PISTON G 5100	1,00			--
0025		MLML40029	SPRING G 5100	1,00			--
0026		MPVR40824	SHELL G 6000-SW SX	1,00			--
0027		MPVR40825	PLATE G 6000 GR.SX	1,00			--
0028		VTVT40043	SCREW AF 4X 14 HILO ZN.N	12,00			--
0029		LCPR40086	TUBE 1/4 L=420 ZC. 0°	1,00			--
0030		MPVR40493	CONNECTOR G 5100-SW	1,00			--
0031		MPVR40494	PROTECTION P 420 C/AN.	1,00			--
0035		MPVR40198	CAP G 5000	1,00			--
0036		MPVR40495	CAP G 5100 REM.	1,00			--
0037		PVVR40119	CONNECTION M22X1,5 IRV G5000	1,00			--
0038		RCIN40009	GUDGEON G 1/4 F IRV G5000	1,00			--
0039		GUVR40034	ANTI-EXTR.RING D. 10 X14	1,00			--
0040		GUGO01946	O-RING D. 9.13 X 2.62 VIT 70SH	1,00			--



Ref. Part n.	Part n. 2	Description	Reference	Price
KTRI40243		KIT P 26- 26 SWIVEL G 5100	0015 0016 0017	--
KTRI40414		KIT P 26- 34 G 6000	0002 0003 0005 0006	--



Ref. K	Part n.	Part n. 2	Description	Quantity	Validity		Price
					From	To	
0001	PVVR40381		GUN BODY G 5100 G1/4F	1,00			--
0002	S	GUVR40074	ANTI-EXTR.RING D. 3 X 7.4X1.3	1,00			--
0003	S	GUGO21835	O-RING D. 2.84 X 2.62 VIT. 80SH	1,00			--
0004		PVVR40382	PISTON GUIDE G 5100	1,00			--
0005	S	PVVR40563	BALL SEAT AL36 G6000 + OR	1,00			--
0006	S	SFVR40004	BALL D. 5/16" ALL.GR16	1,00			--
0007		MLML40047	SPRING D. 9.4 x23.5x1.6 G6000	1,00			--
0008		GUGO12322	O-RING D. 14 X 1.78 NBR 90SH	1,00			--
0009		PVVR40383	CONNECTOR COLL.G5100 1/4F	1,00			--
0010		VTRS40017	WASHER D. 8.2X11,4X1.00	4,00			--
0011		PVVR40384	TUBE G 1/4" L.105	1,00			--
0012		RCIN40022	CONNECTOR SWIV G5100 1/4F	1,00			--
0013		MPVR40967	RING NUT G 6000 SW. GR.	1,00			--
0014		RCIN40021	JOINT SWIV 5100 M22	1,00			--
0015	S	GUVR40075	ANTI-EXTR.RING D. 10 X14X1.5	1,00			--
0016	S	GUVR40076	ANTI-EXTR.RING D. 11.2X14X1.2	1,00			--
0017	S	GUGO15295	O-RING D. 10.82 X 1.78 VIT 75SH	1,00			--
0018		PVVR40386	SCREW SW. G 5100	1,00			--
0019		VTVR40047	PLUG D. 4X29	2,00			--
0020		MPVR40820	TRIGGER G 6000-SW	1,00			--
0021		MPVR40821	SAFETY-DEVICE G 6000-SW	1,00			--
0022		MPVR40822	SHELL G 6000-SW DX	1,00			--
0023		MPVR40968	PLATE G 6000/2 GR.DX	1,00			--
0024		PVVR40564	SMALL PISTON G 6000 AL36 SP.	1,00			--
0025		MLML40029	SPRING G 5100	1,00			--
0026		MPVR40824	SHELL G 6000-SW SX	1,00			--
0027		MPVR40825	PLATE G 6000 GR.SX	1,00			--
0028		VTVT40043	SCREW AF 4X 14 HILO ZN.N	12,00			--
0029		LCPR40181	TUBE 1/4 L=416 ZC. 0°	1,00			--
0030		MPVR40493	CONNECTOR G 5100-SW	1,00			--
0031		MPVR40494	PROTECTION P 420 C/AN.	1,00			--
0035		MPVR40198	CAP G 5000	1,00			--
0036		MPVR40495	CAP G 5100 REM.	1,00			--
0037		PVVR40119	CONNECTION M22X1,5 IRV G5000	1,00			--
0038		RCIN40048	GUDGEON G 1/4 F IRV G6000/2	1,00			--
0039		GUVR40034	ANTI-EXTR.RING D. 10 X14	1,00			--
0040		GUGO63555	O-RING D. 9.3 X 2,4 VIT 75SH	1,00			--



Ref. Part n.	Part n. 2	Description	Reference	Price
KTRI40243		KIT P 26- 26 SWIVEL G 5100	0015 0016 0017	--
KTRI40513		KIT P 26- 36 G 6000/II	0002 0003 0005 0006	--