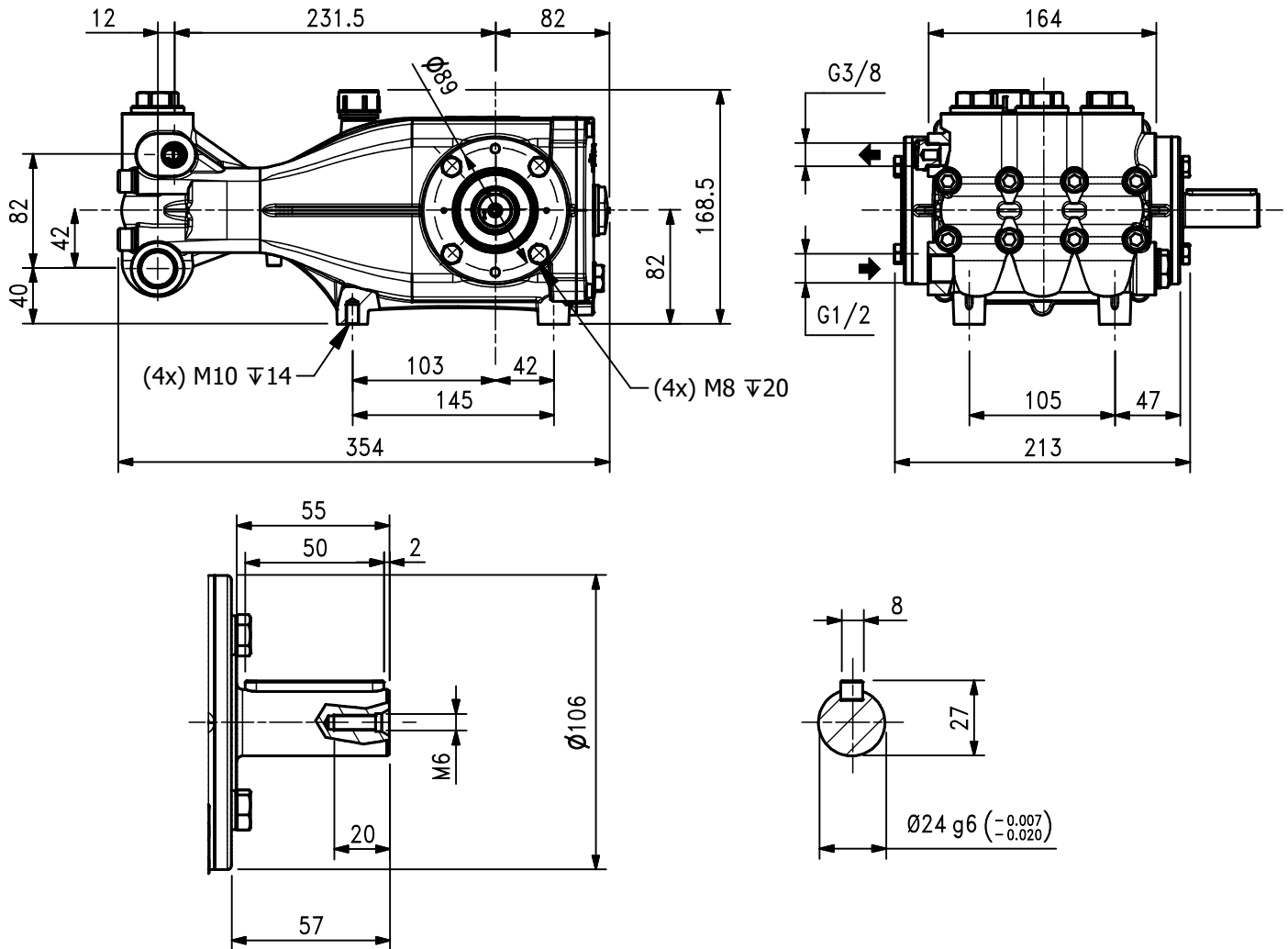
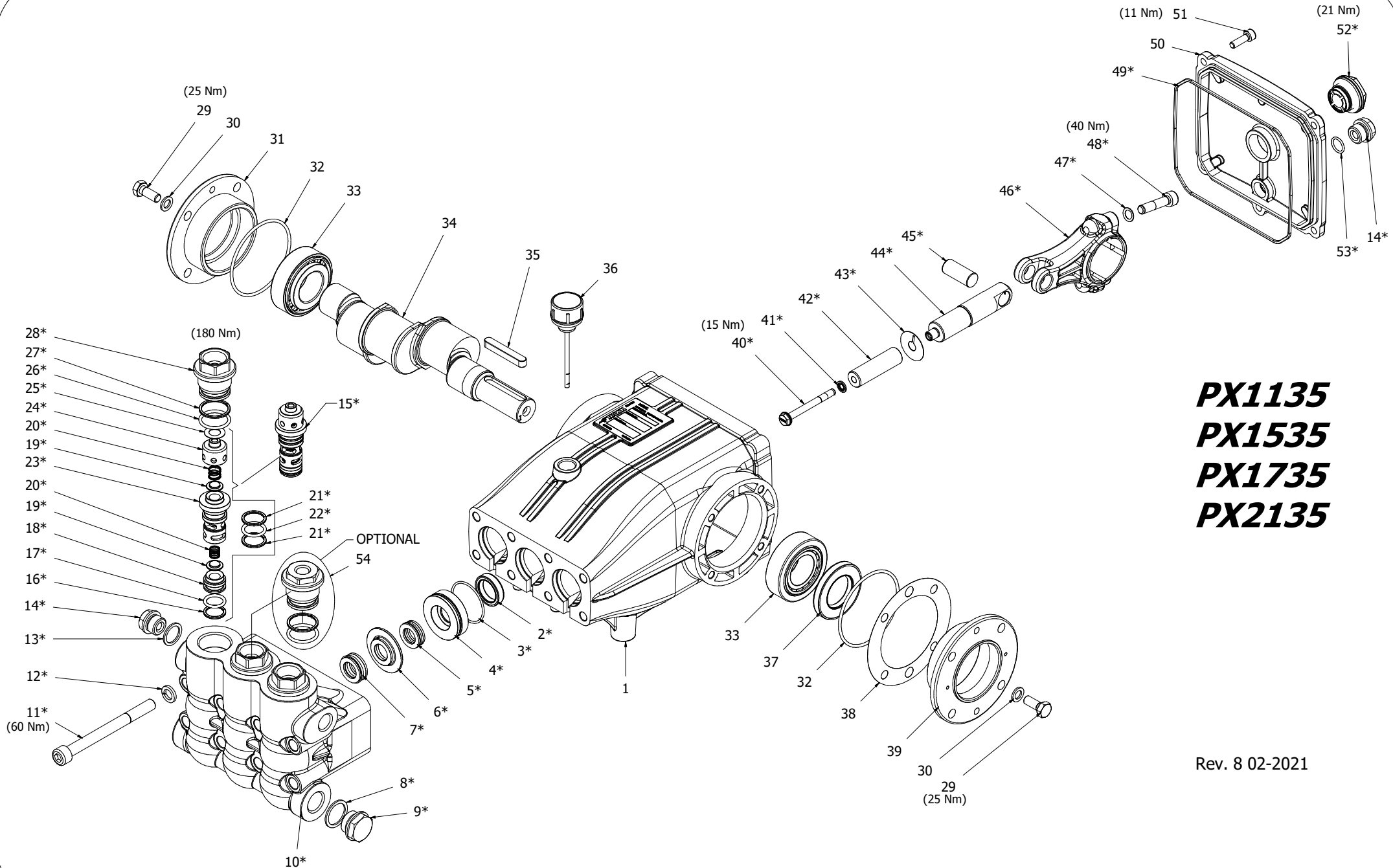


| Pump Pompa | Pressure Pressione | | Volume Portata | | | | RPM giri/min | | Power Potenza | | | |
|---------------|-----------------------|------|-------------------|-------|-------|-------|-----------------|-------|------------------|-------|-------|-------|
| | | | l/min | | GPM | | | | HP | | kW | |
| | bar | PSI | 50 Hz | 60 Hz | 50 Hz | 60 Hz | 50 Hz | 60 Hz | 50 Hz | 60 Hz | 50 Hz | 60 Hz |
| | | | PX1135I | 350 | 5000 | 11.3 | 13.6 | 3.0 | 3.6 | 1450 | 1740 | 10.1 |
| PX1535I | 350 | 5000 | 15.3 | 18.4 | 4.0 | 4.8 | 1450 | 1740 | 13.7 | 16.4 | 10.1 | 12.1 |
| PX1735I | 350 | 5000 | 16.9 | 20.3 | 4.5 | 5.4 | 1450 | 1740 | 15.2 | 18.2 | 11.2 | 13.4 |
| PX2135I | 350 | 5000 | 21.7 | 26.0 | 5.7 | 6.8 | 1450 | 1740 | 19.5 | 23.4 | 14.4 | 17.3 |

Dimensioni d'ingombro

Overall dimensions





PX1135
PX1535
PX1735
PX2135

Rev. 8 02-2021

HAWK
Pompe PX serie 2012
PX pumps 2012 series

PXI SERIES 2012

ORDINARY MAINTENANCE KIT / KIT MANUTENZIONE ORDINARIA

| KIT | Item Pos. | Part Number Codice | Description | Descrizione | Q.TY by Pump Q.TA per Pompa | PX1135I | PX1535I | PX1735I | PX2135I |
|-----|-----------|--------------------|--------------------------|-------------------------|--------------------------------|---------|---------|---------|---------|
| A | 3- 5- 7 | 1.099-792.0 | PLUNGER SEALS DIA. 16 mm | GUARNIZIONI PISTONE Ø16 | 1 | • | • | • | • |
| B | 15- 25 | 1.905-689.0 | COMPLETE VALVE | VALVOLA COMPLETA | 1 | • | • | • | • |

EXTRAORDINARY MAINTENANCE KIT / KIT MANUTENZIONE STRAORDINARIA

| KIT | Item Pos. | Part Number Codice | Description | Descrizione | Q.TY by Pump Q.TA per Pompa | PX1135I | PX1535I | PX1735I | PX2135I |
|-----|---|--------------------|-----------------------------------|--|--------------------------------|---------|---------|---------|---------|
| C | 3- 4- 5- 6- 7 | 1.905-691.0 | COMPLETE SEALS PACKING DIA. 16 mm | PACCO COMPLETO GUARNIZIONI PISTONE Ø16 | 1 | • | • | • | • |
| D | 40- 41- 42 43 | 1.099-798.0 | PLUNGER DIA. 16 mm | PISTONE Ø16 | 3 | • | • | • | • |
| E | 2 | 1.099-766.0 | PLUNGER OIL SEALS | ANELLI TENUTA OLIO ASTA | 1 | • | • | • | • |
| F | 14- 32- 37 49- 52- 53 | 1.905-613.0 | KIT CRANKCASE SEALS | KIT TENUTE CARTER | 1 | • | • | • | • |
| G | 3- 4- 5- 6- 7 8- 9- 10- 11 12- 13- 14 15- 25- 26- 27 28 | 1.099-799.0 | COMPLETE MANIFOLD | TESTATA COMPLETA | 1 | • | • | • | • |
| H | 40- 41- 44 45- 46- 47 48 | 1.905-695.0 | CONNECTING ROD PLUNGER ROD ASSY | PREMONTATO ASTA-BIELLA PISTONE | 3 | • | • | • | • |
| I | 26- 27- 28 | 1.904-324.0 | VALVE PLUG ASSY | PREMONTATO TAPPO VAM | 6 | • | • | • | • |

“Q.TY by Pump” => Necessary quantity to repair one pump
 “Q.TA’ per Pompa” => Quantità necessaria per riparare una pompa

OPTIONAL

| Item Pos. | Part Number Codice | Description | Descrizione | Q.TY by Pump Q.TA per Pompa | PX1135I | PX1535I | PX1735I | PX2135I |
|-----------|--------------------|--------------------------|-------------------------|--------------------------------|---------|---------|---------|---------|
| 54 | 1.904-422.0 | THREADED BRASS PLUG G1/4 | PREMONTATO TAPPO FORATO | 1 | • | • | • | • |

TOOL KIT

| Part Number Codice | Description | Descrizione | Q.TY by Pump Q.TA per Pompa | PX1135I | PX1535I | PX1735I | PX2135I |
|--------------------|-----------------------------|-------------------------|--------------------------------|---------|---------|---------|---------|
| 1.099-665.0 | TOOL-KIT | TOOL-KIT | 1 | • | • | • | • |
| 1.905-659.0 | OIL SEAL EXTRACTOR TOOL-KIT | TOOL-KIT ESTR. PARAOLIO | 1 | • | • | • | • |

IMPORTANT

IMPORTANTE

* **Part available ONLY in kit**
Disponibile SOLO in kit

(...) **Parts pre-assembled**
Parti pre-assemblate

PARTS LIST LISTA PARTI

| Item Pos | Part Number Codice | Description | Descrizione | KIT | Q.TY Q.TA | PX1135I | PX1535I | PX1735I | PX2135I |
|----------|--------------------|---------------------------------|---------------------------------|-------|-----------|---------|---------|---------|---------|
| 1 | 9.850-377.0 | CRANKCASE | CARTER | | 1 | | | | |
| 2* | | PLUNGER OIL SEAL | ANELLO RADIALE Ø20X30X7 | E | 3 | | | | |
| 3* | | "O" RING 2150 - Ø1.78X37.82 | "O" RING 2150 - Ø1.78X37.82 | A-C-G | 3 | | | | |
| 4* | | PRESSURE RING 16 MM | PRESSORE Ø16 | C-G | 3 | | | | |
| 5* | | "U" SEAL, DIA.16 MM | ANELLO TENUTA "U" Ø16 | A-C-G | 3 | | | | |
| 6* | | INTERMED. RING 16 MM | DIFFUSORE INTERM. Ø16 | C-G | 3 | | | | |
| 7* | | "U" SEAL, DIA.16 MM | ANELLO TENUTA "U" Ø16 | A-C-G | 3 | | | | |
| 8* | | COPPER WASHER 1/2 | GUARNIZIONE RAME G1/2 | G | 1 | | | | |
| 9* | | BRASS PLUG G1/2 | TAPPO G1/2 | G | 1 | | | | |
| 10* | | MANIFOLD HOUSING | TESTATA | G | 1 | | | | |
| 11* | | MANIFOLD STUD BOLT | VITE M10X110 | G | 8 | | | | |
| 12* | | LOCK-WASHER | ROSETTA ELASTICA Ø10,2 | G | 8 | | | | |
| 13* | | BONDED SEAL G 3/8 | BONDED SEAL G 3/8 | G | 1 | | | | |
| 14* | | BRASS PLUG 3/8 | TAPPO G3/8 | F-G | 2 | | | | |
| 15* | | VALVE ASSEMBLY | VALVOLA PREMONTATA | B-G | 3 | | | | |
| 16* | | BACK RING | ANELLO ANTIESTR. OR119 | G | 3 | | | | |
| 17* | | "O" RING 119 - Ø2,62X15,08 90SH | "O" RING 119 - Ø2,62X15,08 90SH | G | 3 | • | • | • | • |
| 18* | | VALVE SEAT | SEDE VALVOLA | G | 3 | | | | |
| 19* | | VALVE PLATE | PIATTELLO VALVOLA | G | 6 | | | | |
| 20* | | VALVE SPRING | MOLLA VALVOLA | G | 6 | | | | |
| 21* | | BACK RING | ANELLO ANTIESTR. OR3068 | G | 6 | | | | |
| 22* | | "O" RING 3068 - Ø2.62X17.13 | "O" RING 3068 - Ø2.62X17.13 | G | 3 | | | | |
| 23* | | VALVE CAGE | GABBIA VALVOLA | G | 3 | | | | |
| 24* | | VALVE CAGE | GABBIA VALVOLA | G | 3 | | | | |
| 25* | | COPPER WASHER | ROSETTA VALVOLA | B-G | 3 | | | | |
| 26* | | "O" RING 3093 - Ø2,62X23,47 | "O" RING 3093 - Ø2,62X23,47 | G-I | 3 | | | | |
| 27* | | BACK RING | ANELLO ANTIESTR. OR3093 | G-I | 3 | | | | |
| 28* | | VALVE PLUG | TAPPO VALVOLA | G-I | 3 | | | | |
| 29 | 9.851-503.0 | HEXAGONAL SCREW | VITE M8X20 | | 8 | | | | |
| 30 | 9.851-114.0 | WASHER | ROSETTA Ø8.5 | | 8 | | | | |
| 31 | 9.850-620.0 | CLOSED BEARING HOUSING | FLANGIA CHIUSA | | 1 | | | | |
| 32* | | "O" RING Ø2.62X71.12 | "O" RING Ø2.62X71.12 | F | 2 | | | | |
| 33 | 9.850-347.0 | ROLLER BEARING | CUSCINETTO A RULLI | | 2 | | | | |
| 34 | 9.850-194.0 | CRANKSHAFT Ø24 | ALBERO ECCENTRICO Ø24 | | 1 | • | | | |
| | 9.850-193.0 | CRANKSHAFT Ø24 | ALBERO ECCENTRICO Ø24 | | 1 | | • | | |
| | 9.850-191.0 | CRANKSHAFT Ø24 | ALBERO ECCENTRICO Ø24 | | 1 | | | • | |
| | 9.850-195.0 | CRANKSHAFT Ø24 | ALBERO ECCENTRICO Ø24 | | 1 | | | | • |
| 35 | 9.850-447.0 | CRANKSHAFT KEY | CHIAVETTA | | 1 | • | • | • | • |

| Item Pos | Part Number Codice | Description | Descrizione | KIT | Q.TY Q.TÀ | PX1135I | PX1535I | PX1735I | PX2135I |
|----------|--------------------|-----------------------|------------------------|-----|--------------|---------|---------|---------|---------|
| 36 | 9.851-287.0 | OIL DIP STICK | TAPPO LIVELLO OLIO | | 1 | | | | |
| 37* | | CRANCKSHAFT SEAL | ANELLO RADIALE | F | 1 | | | | |
| 38 | 9.850-546.0 | SHIM | DISTANZIALE | | 1 | | | | |
| 39 | 9.850-610.0 | BEARING HOUSING | FLANGIA APERTA | | 1 | | | | |
| 40* | | PLUNGER BOLT | VITE PISTONE | D-H | 3 | | | | |
| 41* | | BONDED SEAL | BONDED SEAL | D-H | 3 | | | | |
| 42* | | PLUNGER 16 MM | PISTONE Ø16 | D | 3 | | | | |
| 43* | | COPPER SPACER | ROSETTA RAME | D | 3 | | | | |
| 44* | | PLUNGER ROD | ASTA PISTONE | H | 3 | | | | |
| 45* | | CONNECTING ROD PIN | SPINOTTO | H | 3 | • | • | • | • |
| 46* | | CONNECTING ROD | BIELLA COMPLETA | H | 3 | | | | |
| 47* | | SPRING WASHER | ROSETTA ELASTICA Ø8 | H | 6 | | | | |
| 48* | | CONNECTING ROD SCREW | VITE M8X35 | H | 6 | | | | |
| 49* | | "O" RING Ø2,62X152,07 | "O" RING Ø2,62X152,07 | F | 1 | | | | |
| 50 | 9.850-389.0 | CRANKCASE COVER | COPERCHIO | | 1 | | | | |
| 51 | 9.851-474.0 | COVER SCREW | VITE M6X20 | | 5 | | | | |
| 52* | | SIGHT GLASS, G3/4 | SPIA LIVELLO OLIO G3/4 | F | 1 | | | | |
| 53* | | "O" RING Ø1,78X14,00 | "O" RING Ø1,78X14,00 | F | 1 | | | | |