

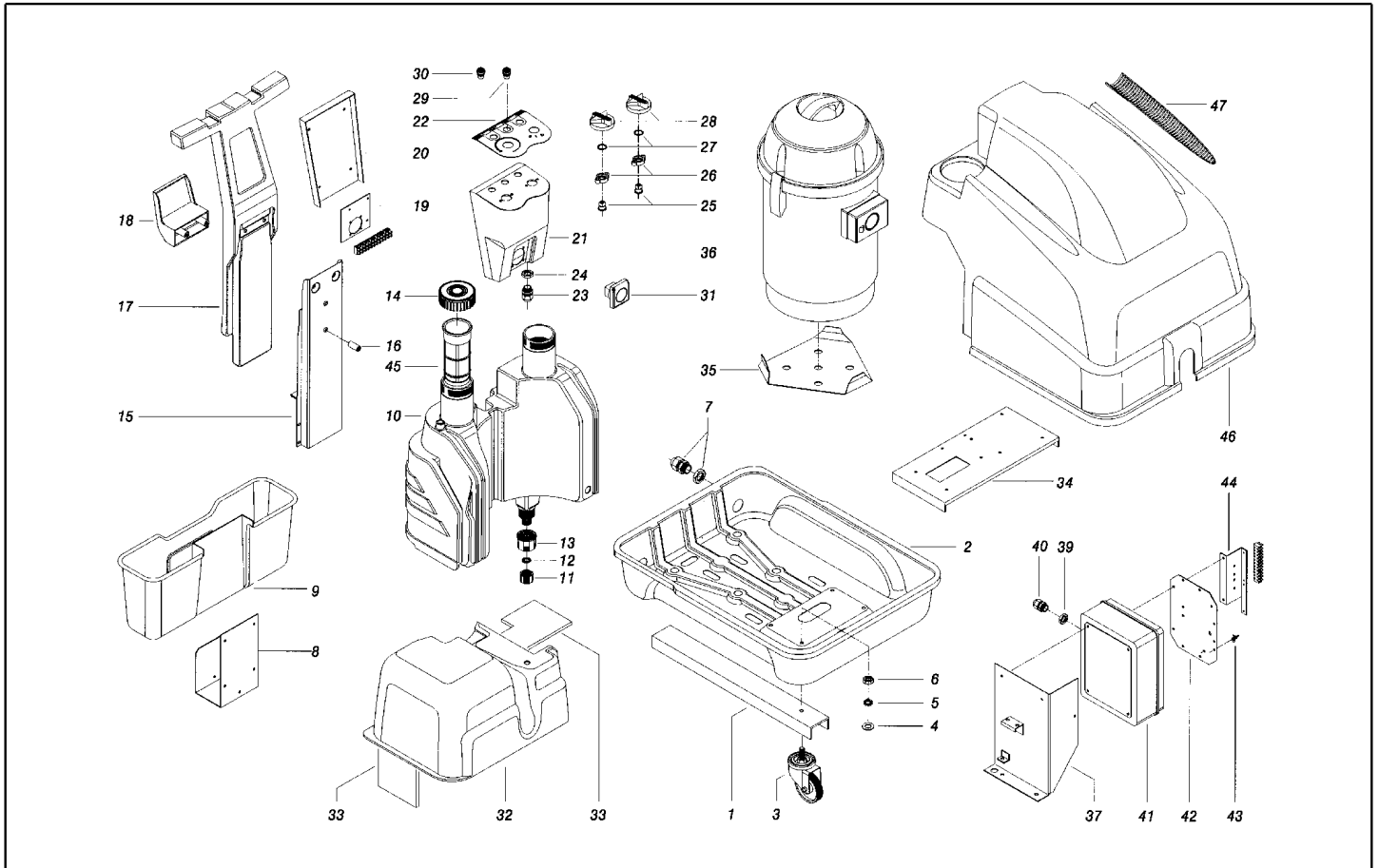


IPC

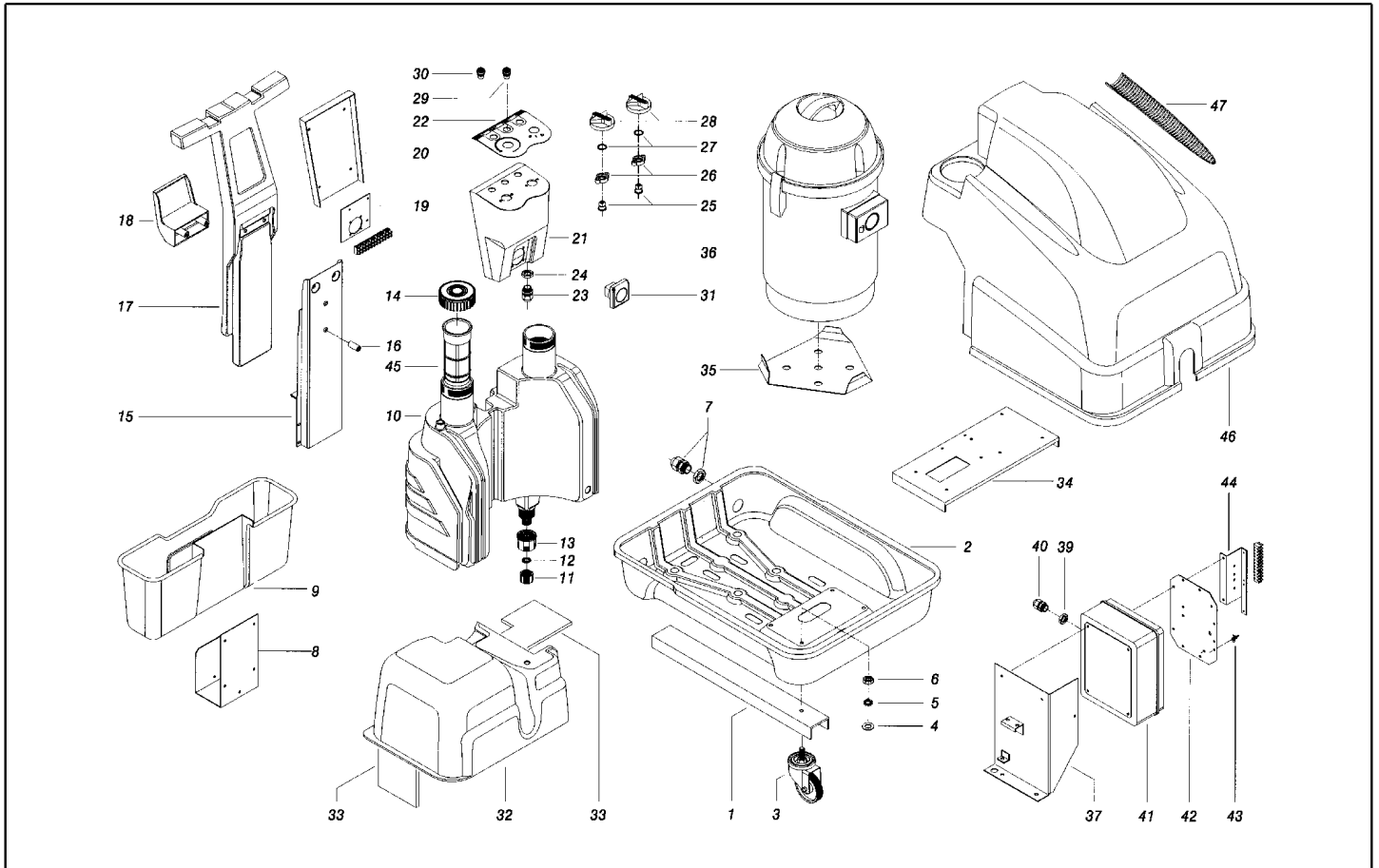
Spare parts list

Ref: GNVA46653

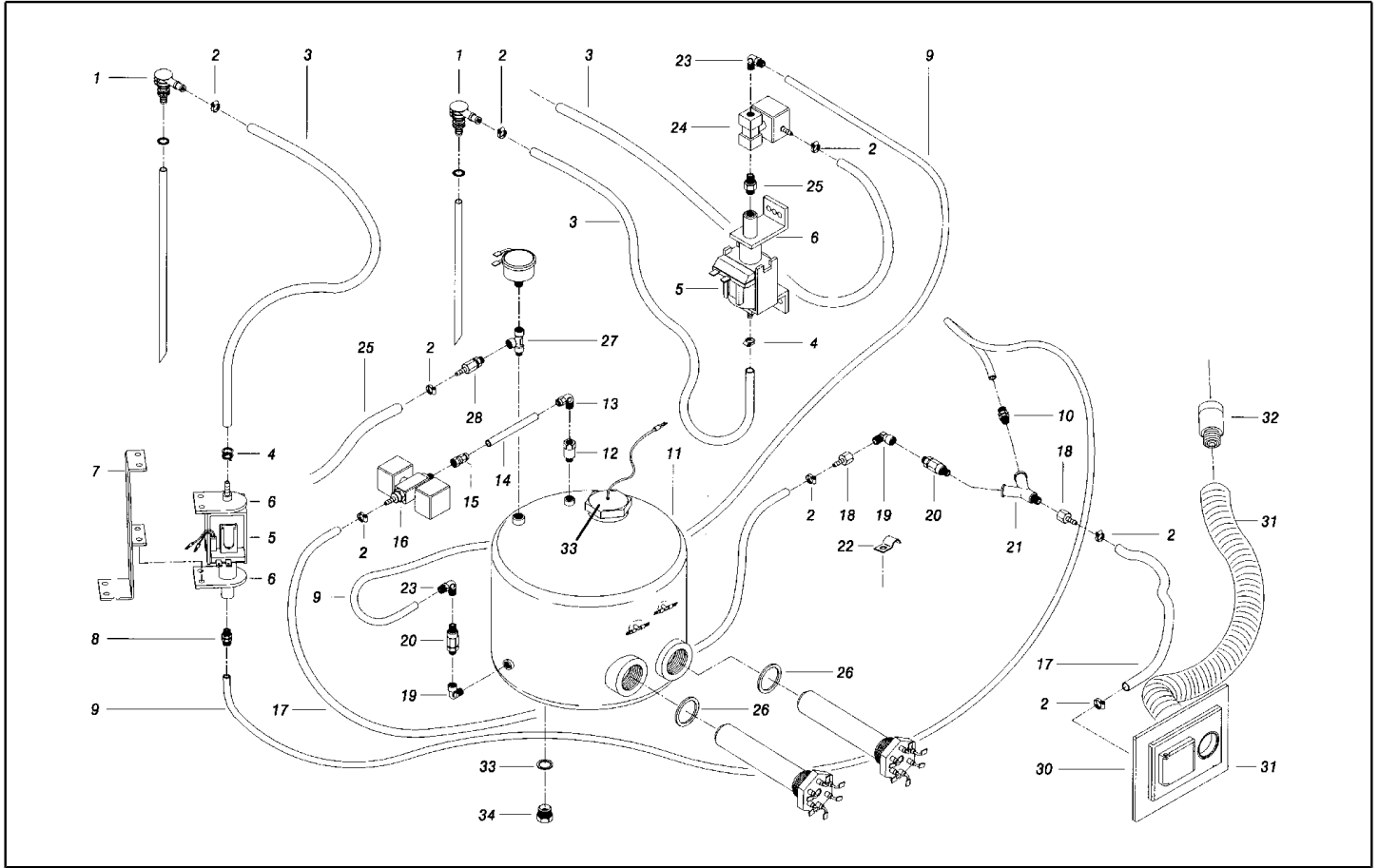
Model: STEAM GENERATOR STEAMER J.II M 230V PRT



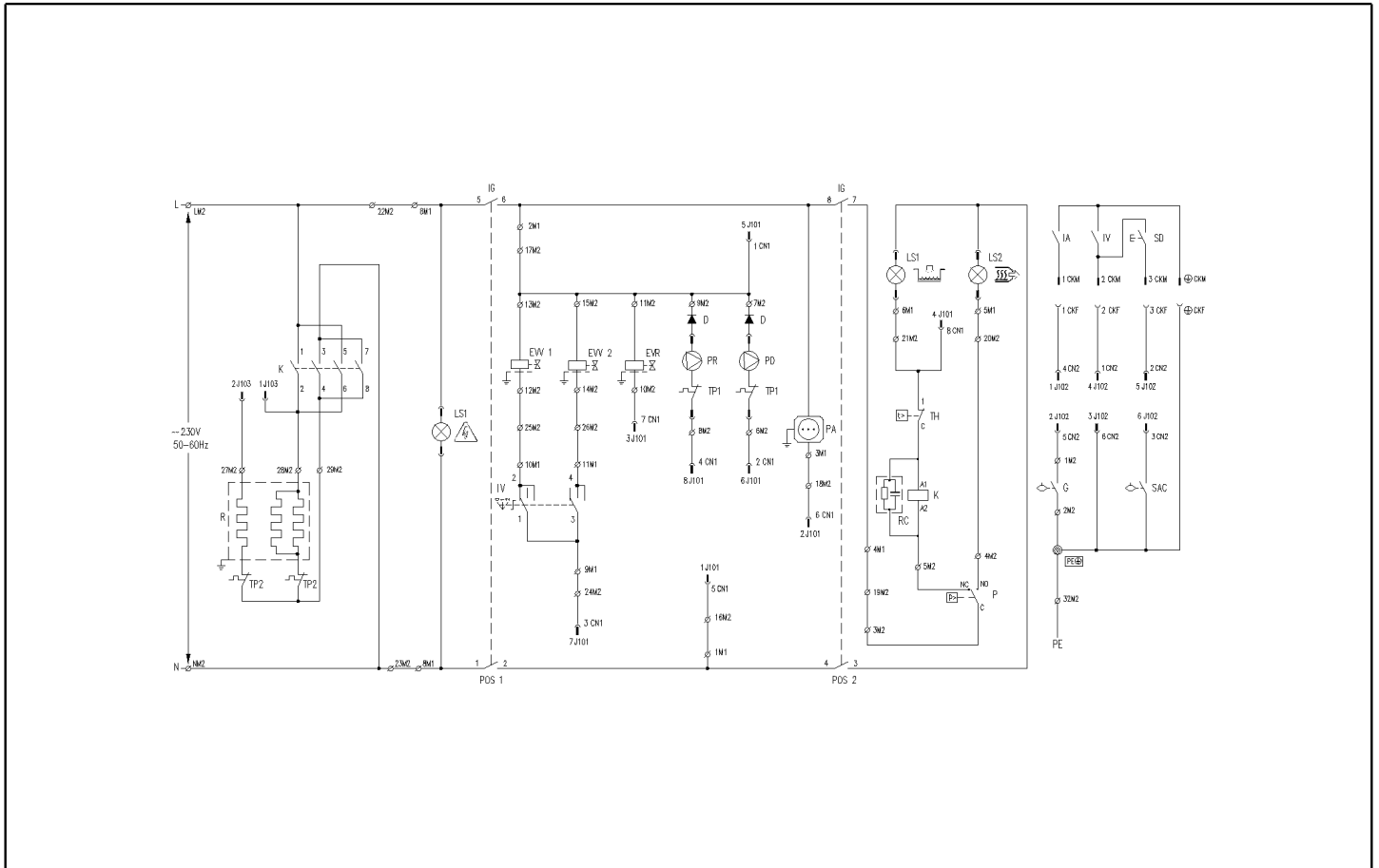
Ref. K	Part n.	Part n. 2	Description	Quantity	Validity		Price
					From	To	
0001	LAFN44848		REINFORCEMENT STM.JT	2,00			--
0002	LAFN46499		CHASSIS STEAMER JET/TR.II	1,00			--
0003	RTRT41104		TURNING WHEEL D. 75 - P.M10X17 A.T.	4,00			--
0004	VTRS44254		WASHER D.10 X40X2.5 UNI6593	4,00			--
0005	VTRS00519		WASHER D.10 DT	4,00			--
0006	VTDD00493		NUT M10 TEF	4,00			--
0007	MEVR33994		CABLE FASTNER 4228 B D. 6- 18	1,00			--
0008	LAFN41274		SUPPORT STEAM.JT.	1,00			--
0009	MPVR41256		SUPPORT STEAM.JT.	1,00			--
0010	MPVR41228		WATER TANK STEAM.JT.	1,00			--
0011	PVVR11806		DISCHARGE CAP FLL	2,00			--
0012	GUGO11489		GASKET D.22X1,5	2,00			--
0013	MPVR20187		RING NUT M 39 X 3	2,00		12/03/2015	--
0013	MPVR40155		RING NUT M 39 X 3 KSM RB.	2,00	13/03/2015		--
0014	MPVR20418		TANK CAP KSM	2,00			--
0015	LAFN19954		SUPPORT KSM	1,00			--
0016	LAFN22115		SPACER 14X27 D.8 KSM	1,00			--
0017	MPVR20104		HANDLE KOSMIC J.	1,00			--
0018	LAFN20105		HOSE SUPPORT KSM	1,00			--
0019	LAFN41225		JUNCTION BOARD STEAM.JT.CRS	1,00			--
0020	LAFN41227		BRACKET STEAM.JT.	1,00			--
0021	MPVR40359		INSTR.PANEL STEAMER JT.PS	1,00			--
0022	ETET46861		LABEL STM TR.2V. PLC	1,00			--
0023	MEVR01915		FAIR-LEAD D.16 SC	1,00			--
0024	MEVR01920		LOCKNUT D. 16	1,00			--
0025	MPVR23482		SWITCH TANG TEC. TUV	2,00			--
0026	MPVR23487		THICKNESS THERM. - INT. TUV	2,00			--
0027	GUGO25527		O-RING D. 14 X 3 NBR 70SH	2,00			--
0028	MPVR46511		GREY KNOB KSM C/F.FIS.	2,00			--
0029	MELF40937		LAMP SOCKET D.12 ORAN. SLX51	2,00			--
0030	MELF40938		LAMP SOCKET D.12 GREE. SLX51	1,00			--
0031	MEVR40638		SOCKET SCHUKO 2P+T 10/16A IP44	1,00			--
0032	MPVR46970		COVER STEAM.JT.II PS	1,00		07/06/2002	--
0032	MPVR47199		COVER STEAM.JT.II C/T.ISOL.2PZ.	1,00	08/06/2002		--
0033	ITTE46488		PROTECTION ST.JPN 3PZ.	1,00		07/06/2002	--
0034	LAFN40955		PLATE STEAM.JT.	1,00			--
0035	LAFN46497		SUPPORT PLATE STM.JPN	1,00			--
0036	ASDO41124		VACUUM CLEANER MIR. 315 230/240-5/60	1,00		06/02/2003	--
0037	LAFN46969		SUPPORT STEAM.JT. II	1,00			--
0038	ITTE46488		PROTECTION ST.JPN 3PZ.	1,00	08/06/2002		--
0039	MEVR04375		LOCKNUT D. 9	8,00			--
0039	MEVR01919		LOCKNUT PG 13	4,00			--
0039	MEVR01920		LOCKNUT D. 16	1,00			--
0040	MEVR04376		FAIR-LEAD D. 9 SC	8,00			--



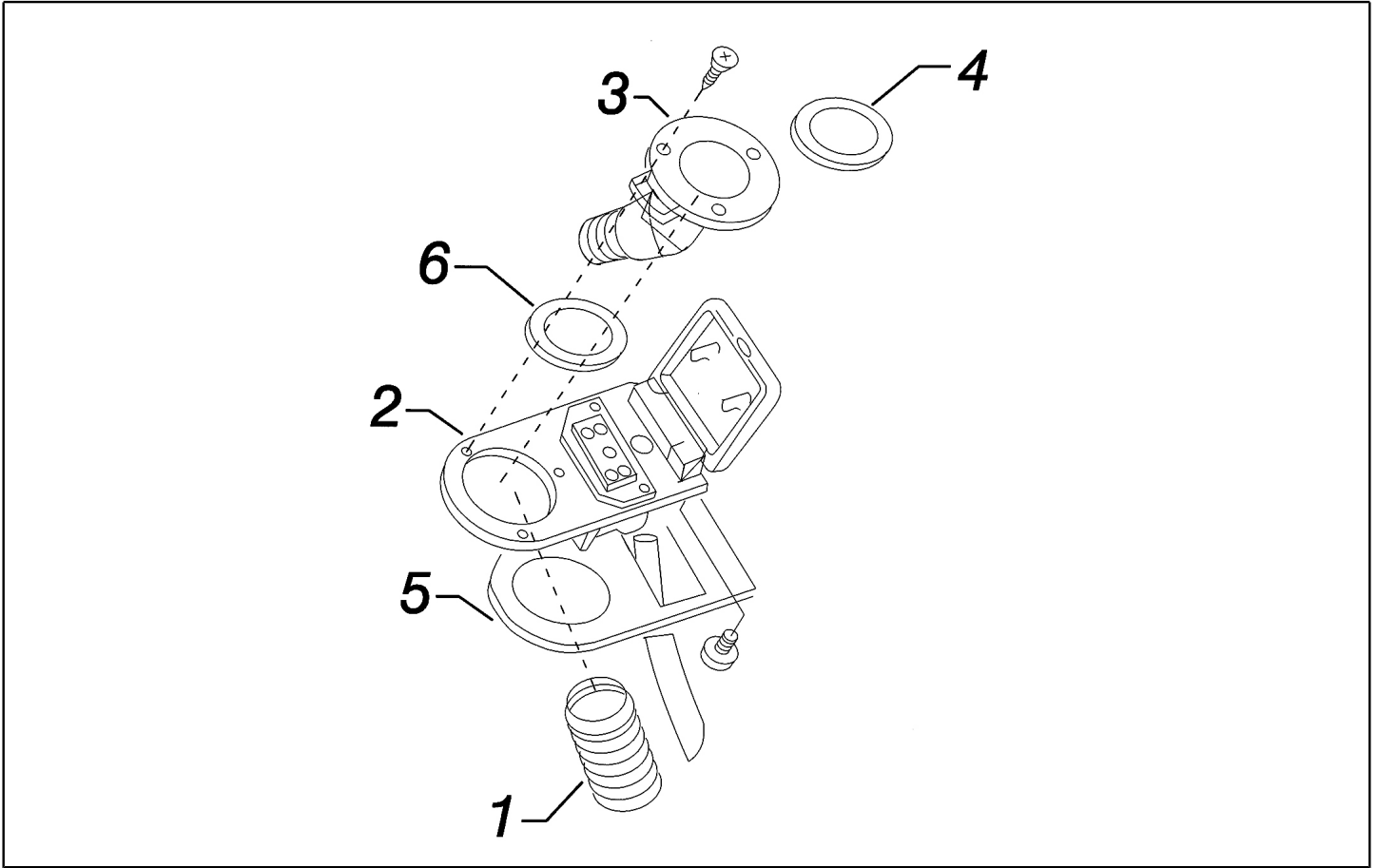
Ref. K	Part n.	Part n. 2	Description	Quantity	Validity		Price
					From	To	
0040	MEVR01914		FAIR-LEAD D.13 SC	4,00			--
0040	MEVR01915		FAIR-LEAD D.16 SC	1,00			--
0041	MEVR40976		BOX GWS 240X190X90 STEAM.JT.	1,00			--
0042	LAFN40978		PLATE STEAM.JT.	1,00			--
0043	MEVR13836		SUPPORT KS8 L= 23	4,00			--
0044	LAFN46966		JUNCTION BOARD STEAM.JT.II	1,00			--
0045	FTCO17698		FILTER 121X54	2,00			--
0046	MPVR46892		RED COVER STEAMER JT./TR.II PS	1,00			--
0047	MPVR41409		RUBBER STEAM.JT.	2,00			--
9999	SPPV45771		FRAME WK	1,00			--
9999	SPPV45772		BRUSH STRIP L=300 WK	2,00			--
9999	SPPV45773		BRUSH STRIP L=300 WK DT.	2,00			--
9999	SPPV45774		BRUSH STRIP L=300 WK PLS.	2,00			--
9999	MPVR45775		RUBBER BLADE UNIV. L=300	2,00			--
9999	SPPV45776		BRUSH D.30 VAP. NYL.BK	2,00			--
9999	SPPV45777		INSERT VAP. WK TD	1,00			--
9999	SPPV45778		INSERT VAP. WK TR.	1,00			--
9999	SPPV45766		BRUSH D.30 VAP. M.LUNA	1,00			--
9999	IPIP45758		GRIP WK 4P + 4.0MT	1,00		23/05/2003	--
9999	IPIP46581		GRIP WK 4P + 4.0MT	1,00	24/05/2003	11/02/2010	--
9999	IPIP40004		GRIP WK 4P/2V + 5.0MT	1,00	12/02/2010		--



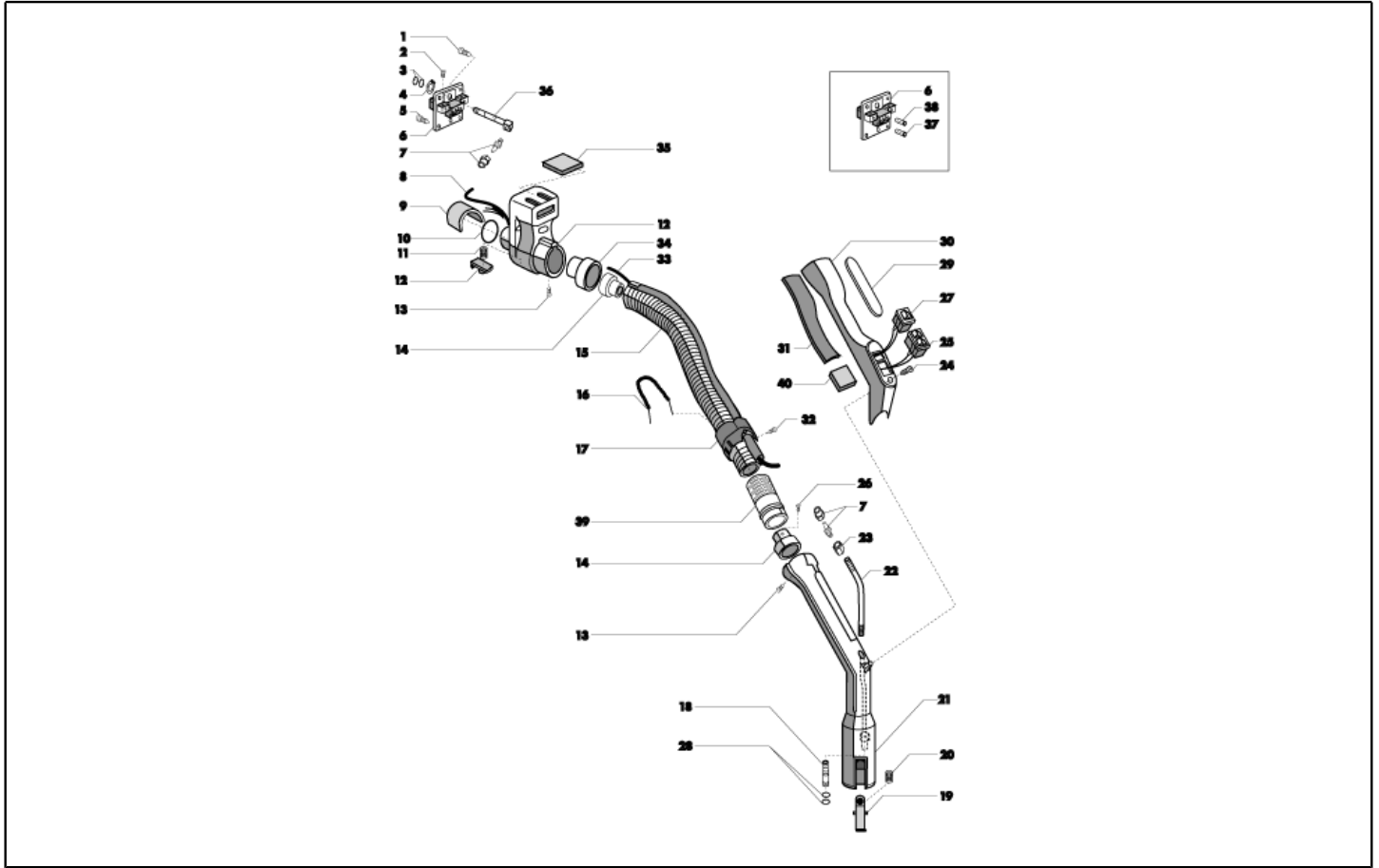
Ref. K	Part n.	Part n. 2	Description	Quantity	Validity		Price
					From	To	
0001	RCDS20136		SUCTION L= 355 C.	2,00			--
0002	FSVR00427		CLAMP D. 12 CLIC 66-110	4,00			--
0003	TBBP00051		DETERGENT HOSE D. 6-12	1,20			--
0005	PPEL40002		PUMP BY-P.230V E 505/OT 1/8"F	1,00	01/09/2008		--
0005	PPEL41926		PUMP BY-P.230V E 505 P-1/8"F	1,00		31/08/2008	--
0006	MPVR41927		SUPPORT BT500/8 A.TE	2,00			--
0007	LAFN43558		SUPPORT STEAM.JT.7140T	1,00			--
0008	RCVR14043		CONNECTOR DTT 1/8"M C1 D. 6/ 4 NIK	1,00			--
0009	TBBP43611		L.P. HOSE D. 4- 6 TEFLON	1,20			--
0010	RCVR14043		CONNECTOR DTT 1/8"M C1 D. 6/ 4 NIK	1,00			--
0011	LAFN48505		BOILER STEAM.JT II	1,00			--
0012	RCVR02596		SLEEVE 1/4 M/F A5	1,00			--
0013	RCVR46460		BI-CONE CONNEC. L 1/4"M B5 D.4/ 6 NIK	1,00			--
0014	LAFN47489		TUBE D. 6 STM.JT. II	1,00			--
0015	RCVR46627		BI-CONE CONNEC. DTT 1/8"M B1 D. 4/ 6 NIK	1,00			--
0016	MEEV47484		SOLENOID VALVE OLAB 2B.NE 6000B.D.1/1.55	1,00			--
0017	TBBP40099		TUBE EPDM-AT 5-11 200°C 10BAR	0,60	01/04/2016		--
0017	TBCO15363		L.P. HOSE 6.4-12 MAN. 170° TR.BLU	0,60		31/03/2016	--
0018	RCDS29082		HOSE FITTING 1/8 F D. 7 EL.KS 610	2,00			--
0019	RCVR34780		ELBOW 1/8" M/F A10	2,00			--
0020	VVSF47485		VALVE N.RT. 1/8M/M	2,00			--
0021	RCVR47486		CONNECTOR Y 1/8 M/F/F	1,00			--
0022	MEVR00252		CLIP D.14	1,00			--
0023	RCIN47487		CONNECTOR L 1/8"F C5 D. 6/ 4 OT	2,00			--
0024	MEEV43661		ELECTROVALVE OLB 3V.1/8M/F+PG.7 D.2.8	1,00			--
0025	RCVR04871		NIPPLE 1/8 - 1/8 CN	1,00			--
0026	GUGO47490		O-RING D. 28 X 5 HNBR 70SH	2,00			--
0027	RCVR47488		CONNECTOR T 1/8 F/F/M A13 NIK	1,00			--
0028	VVSC47491		VALVE OLAB G 1/8M 7 BAR	1,00			--
0029	TBCO15363		L.P. HOSE 6.4-12 MAN. 170° TR.BLU	0,60			--
0030	LAFN46501		SUPPORT WRK ST.JPN	1,00			--
0031	MPVR46536		SOCKET AV PT CPL. WK	1,00			--
0032	MPVR32459		CONNECTOR PVC D.36	1,00		31/03/2016	--
0033	MECI88508		SWITCH REED G1"M 180°C L= 85	1,00			--



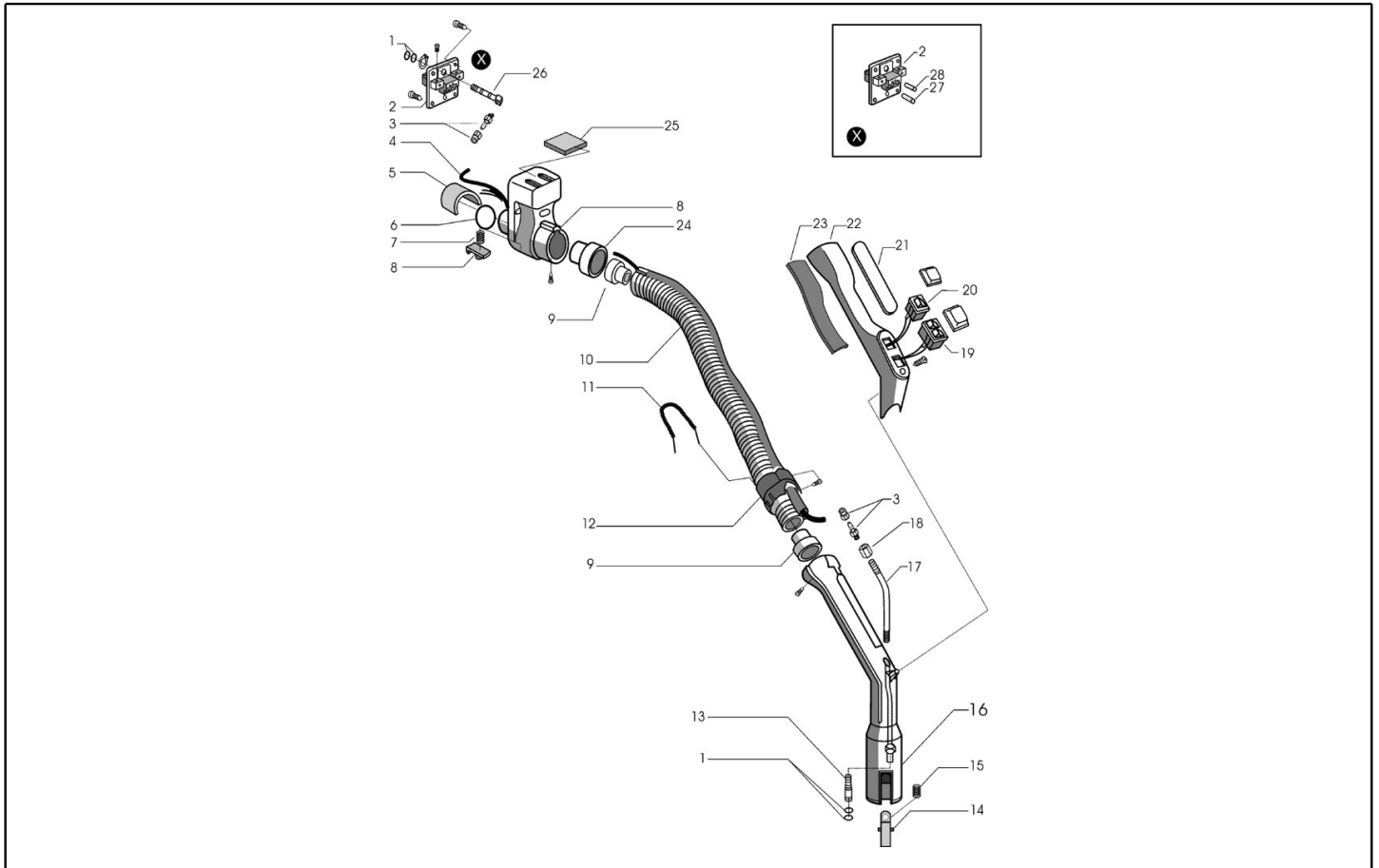
Ref. K	Part n.	Part n. 2	Description	Quantity	Validity		Price
					From	To	
G	MECI40941		SENSOR LEVEL S1.PML.M16	1,00			--
K	METT32202		CONTACTOR MC1 A 400A T6 230V 50/60	1,00			--
P	MEPF41911		PRESSURE SWITCH 16A 250V 2-6BAR	1,00			--
EC	MECE41928		PCB STEAM.JT. MICVAP-0 IPC	1,00			--
IG	MECI40544		COMMUTAT.SWITCH 0-1-2 HD12H022-R000	1,00			--
IV	MECI46077		COMMUTAT.SWITCH 0-1-2 BRM 12A CR012	1,00			--
RC	MECE43563		RESISTANCE RC 0.47MF X2 100OHM 250V	1,00			--
R1	MEVR47493		RESISTANCE 32 OHM 1450W 220V	1,00			--
R2	MEVR47494		RESISTANCE 50 OHM 1000+1000W 220V	1,00			--
TH	METK40992		THERMOSTAT 245°C TR2 15(2.5)A 250V	1,00			--
CV1	MECB10519		CABLE H07 RNF 3X2.5 L=6.500	1,00			--
EVR	MEEV43661		ELECTROVALVE OLB 3V.1/8M/F+PG.7 D.2.8	1,00			--
EVV	MEEV47484		SOLENOID VALVE OLAB 2B.NE 6000B.D.1/1.55	1,00			--
LS1	MELF40939		LAMP NEON 230V T120° SLX21.3	2,00			--
LS2	MELF46453		LAMP FLUO.240V FAST	1,00			--
SAC	MECI88508		SWITCH REED G1" M 180°C L= 85	1,00			--
TP1	METK43603		KLIKSON UP62 110°C	1,00			--
TP2	METK89008		THERMOSTAT 170 °C RIP.	2,00			--



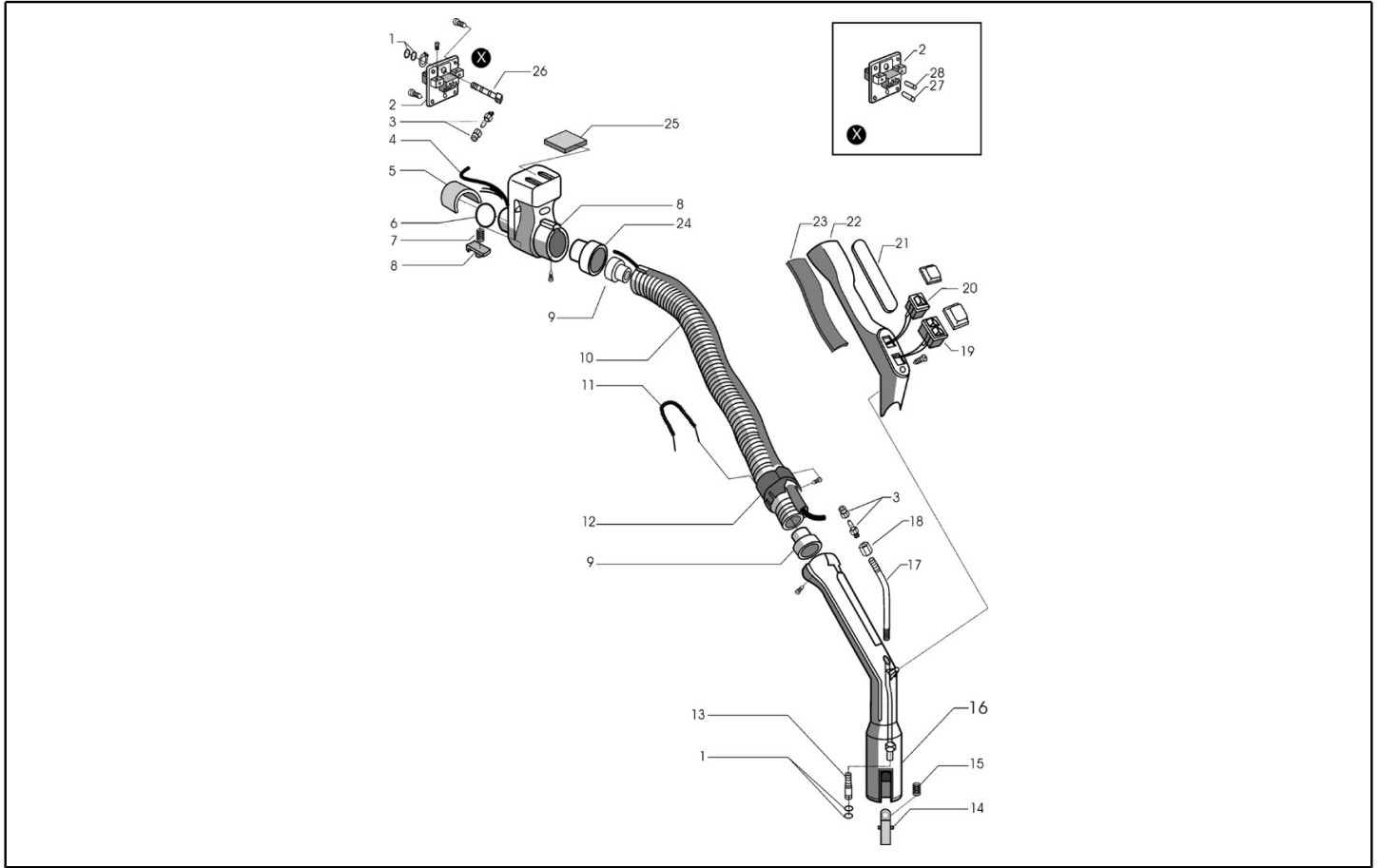
Ref. K	Part n.	Part n. 2	Description	Quantity	Validity		Price
					From	To	
0001	TBFX48801		TUBE FLEX D.32 0.8MT. 125°	1,00			--
0002	MPVR48799		FRONT PANEL WK C/PG. +GU.	1,00			--
0003	MPVR48360		FLANGE STEAM.	1,00			--
0004	GUGO48800		GASKET D. 31- 37 X 4	1,00			--
0005	GUVR48804		GASKET PRS.VP. PL/45	1,00			--
0006	GUVR48798		RING D. 42-58 SP.2 PL/45	1,00			--



Ref. K	Part n.	Part n. 2	Description	Quantity	Validity		Price
					From	To	
0001	VTVT15530		SCREW TCB-TC 2.9X13 UNI6954	4,00			--
0002	VTVT88015		SCREW M 2,5X 4 TC-TC ZC. U.6107	2,00			--
0003	GUGO06988		O-RING D. 7.66 X 1.78 NBR 70SH	2,00			--
0004	VTAE00014		CIRCLIP D. 9 UNI 7435	1,00			--
0005	VTVT00522		SCREW TCB-TC 2.9X 9.5 UNI6954	2,00			--
0006	MPVR46865		PLATE M.BLK WK	1,00			--
0007	RCIN46866		CONNECTOR DTT M5-M C1/Z D. 6/ 4 NIK	1,00			--
0008	TBBP43611		L.P. HOSE D. 4- 6 TEFLON	5,00			--
0009	GUVR46867		GASKET MOUSSE 130X20X10	1,00			--
0010	GUGO49672		O-RING D. 29.87 X 1.78 EPDM 70SH	1,00			--
0011	MLML46868		SPRING WK	1,00			--
0012	MPVR46869		BODY AV C/TST WK	1,00			--
0013	VTVT89212		SCREW ATF TCB-TC 2,2X 6,5 BK.	1,00			--
0014	MPVR46870		CONNECTOR PVC D.32 WK	1,00			--
0015	TBFX89105		TUBE FLEX D.32 5MT WK	1,00			--
0016	LAFN46872		SUPPORT T.FLEX AV WK	1,00			--
0017	MPVR46873		RING NUT PVC D.32 GR.	1,00			--
0018	RCIN46874		MALE COUPLING STEAM OT. AV	1,00			--
0019	MPVR46875		BUTTON WK RD.	1,00			--
0020	MLML46876		SPRING WK IP	1,00			--
0021	MPVR46877		SHELL WK AV GR.	1,00			--
0022	LAFN46878		TUBE OT. D. 5 AV	1,00			--
0023	RCVR46879		SLEEVE M5 - M6	1,00			--
0024	VTVT89210		SCREW ATF TSP-TC 3 X30 BRZ.	1,00			--
0025	MECI46739		SWITCH MLV VNT+PLS.0-1 230V	1,00			--
0026	VTVT40012		SCREW AF.TCB-TC 2,9X 4,5 BK	1,00			--
0027	MECI49154		SWITCH MLV RD.STEAM	1,00			--
0028	GUGO12489		O-RING D. 6.07 X 1.78 NBR 70SH	2,00			--
0029	MPVR89095		PROTECTION RB.AV WK	1,00			--
0030	MPVR46881		COVER AV 3.SW.	1,00			--
0031	GUVR46882		GASKET FV+AL 3X15 WK	1,00			--
0032	VTVT20661		SCREW ATF TCB-TC 2,2X9,5 U.6954	1,00			--
0034	MPVR46883		SLEEVE PVC D.32 AV	1,00			--
0035	GUVR46884		GASKET MOUSSE 50X40X 5	1,00			--
0036	RCIN40051		JOINT STEAM IX. M5 F	1,00			--
0037	MEVR46886		CONTACT PLG. D.4X28 5 OT.	1,00			--
0038	MEVR46887		CONTACT PLG. D.4X36 OT.	1,00			--
0039	MPVR89211		SLEEVE FLX M.BLC.	1,00			--
0040	GUVR49155		GASKET FV-SP 6X27 WK	1,00			--



Ref. K	Part n.	Part n. 2	Description	Quantity	Validity		Price
					From	To	
0001	GUGO12489		O-RING D. 6.07 X 1.78 NBR 70SH	4,00			--
0002	MPVR46865		PLATE M.BLK WK	1,00			--
0003	RCIN46866		CONNECTOR DTT M5-M C1/Z D. 6/ 4 NIK	2,00			--
0004	TBBP43611		L.P. HOSE D. 4- 6 TEFLON	4,00			--
0005	GUVR46867		GASKET MOUSSE 130X20X10	1,00			--
0006	GUGO13383		O-RING D. 29.87 X 1.78 NBR 70SH	1,00		30/09/2003	--
0006	GUGO49672		O-RING D. 29.87 X 1.78 EPDM 70SH	1,00	01/10/2003		--
0007	MLML46868		SPRING WK	1,00			--
0008	MPVR46869		BODY AV C/TST WK	1,00			--
0009	MPVR46870		CONNECTOR PVC D.32 WK	1,00			--
0010	TBFX46871		TUBE FLEX D.32 4MT WK	1,00			--
0011	LAFN46872		SUPPORT T.FLEX AV WK	1,00			--
0012	MPVR46873		RING NUT PVC D.32 GR.	1,00			--
0013	RCIN46874		MALE COUPLING STEAM OT. AV	1,00			--
0014	MPVR46875		BUTTON WK RD.	1,00			--
0015	MLML46876		SPRING WK IP	1,00			--
0016	MPVR46877		SHELL WK AV GR.	1,00			--
0017	LAFN46878		TUBE OT. D. 5 AV	1,00			--
0018	RCVR46879		SLEEVE M5 - M6	1,00			--
0019	MECI46739		SWITCH MLV VNT+PLS.0-1 230V	1,00			--
0020	MECI46740		SWITCH MLV RD. STEAM. 230V	1,00			--
0021	MPVR46880		PROTECTION MOUSSE WK	1,00		30/04/2005	--
0021	MPVR89095		PROTECTION RB.AV WK	1,00	01/05/2005		--
0022	MPVR46881		COVER AV 3.SW.	1,00			--
0023	GUVR46882		GASKET FV+AL 3X15 WK	1,00			--
0024	MPVR46883		SLEEVE PVC D.32 AV	1,00			--
0025	GUVR46884		GASKET MOUSSE 50X40X 5	1,00			--
0026	RCIN46885		JOINT STEAM OT. M5 F	1,00			--
0027	MEVR46886		CONTACT PLG. D.4X28.5 OT.	1,00			--
0028	MEVR46887		CONTACT PLG. D.4X36 OT.	1,00			--



Ref. K	Part n.	Part n. 2	Description	Quantity	Validity		Price
					From	To	
0001	GUGO12489		O-RING D. 6.07 X 1.78 NBR 70SH	4,00			--
0002	MPVR46865		PLATE M.BLK WK	1,00			--
0003	RCIN46866		CONNECTOR DTT M5-M C1/Z D. 6/ 4 NIK	2,00			--
0004	TBBP43611		L.P. HOSE D. 4- 6 TEFLON	4,00			--
0005	GUVR46867		GASKET MOUSSE 130X20X10	1,00			--
0006	GUGO13383		O-RING D. 29.87 X 1.78 NBR 70SH	1,00		30/09/2003	--
0006	GUGO49672		O-RING D. 29.87 X 1.78 EPDM 70SH	1,00	01/10/2003		--
0007	MLML46868		SPRING WK	1,00			--
0008	MPVR46869		BODY AV C/TST WK	1,00			--
0009	MPVR46870		CONNECTOR PVC D.32 WK	1,00			--
0010	TBFX46871		TUBE FLEX D.32 4MT WK	1,00			--
0011	LAFN46872		SUPPORT T.FLEX AV WK	1,00			--
0012	MPVR46873		RING NUT PVC D.32 GR.	1,00			--
0013	RCIN46874		MALE COUPLING STEAM OT. AV	1,00			--
0014	MPVR46875		BUTTON WK RD.	1,00			--
0015	MLML46876		SPRING WK IP	1,00			--
0016	MPVR46877		SHELL WK AV GR.	1,00			--
0017	LAFN46878		TUBE OT. D. 5 AV	1,00			--
0018	RCVR46879		SLEEVE M5 - M6	1,00			--
0019	MECI46739		SWITCH MLV VNT+PLS.0-1 230V	1,00			--
0020	MECI46740		SWITCH MLV RD. STEAM. 230V	1,00			--
0021	MPVR46880		PROTECTION MOUSSE WK	1,00		30/04/2005	--
0021	MPVR89095		PROTECTION RB.AV WK	1,00	01/05/2005		--
0022	MPVR46881		COVER AV 3.SW.	1,00			--
0023	GUVR46882		GASKET FV+AL 3X15 WK	1,00			--
0024	MPVR46883		SLEEVE PVC D.32 AV	1,00			--
0025	GUVR46884		GASKET MOUSSE 50X40X 5	1,00			--
0026	RCIN46885		JOINT STEAM OT. M5 F	1,00			--
0027	MEVR46886		CONTACT PLG. D.4X28.5 OT.	1,00			--
0028	MEVR46887		CONTACT PLG. D.4X36 OT.	1,00			--