



**IPC**

**Spare parts list**

Ref: ASDO09975

Cust.ref: ASDO09975

Model: VACUUM CLEANER PANDA V633M W/ACC.

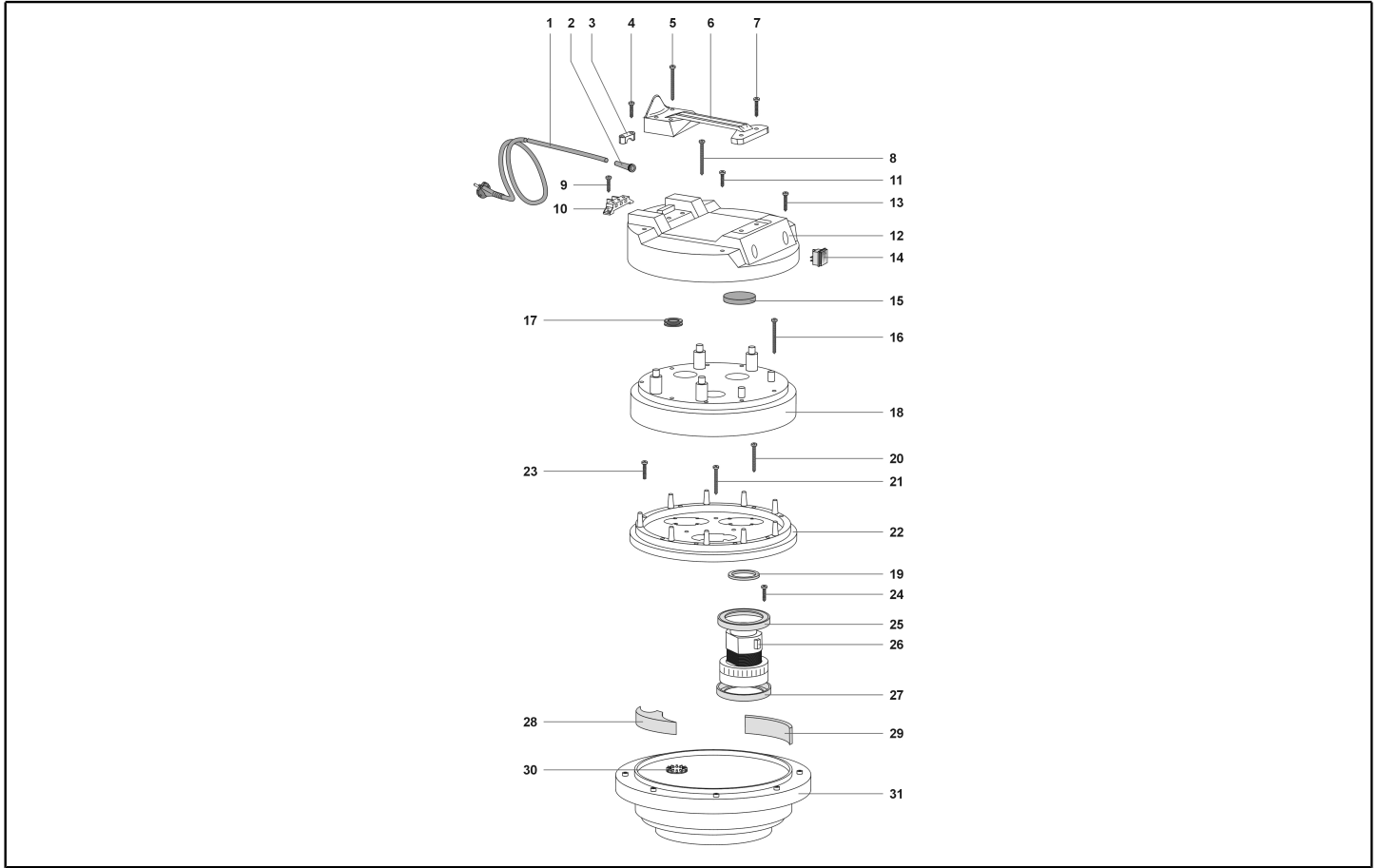
Cust.model: PANDA V633M



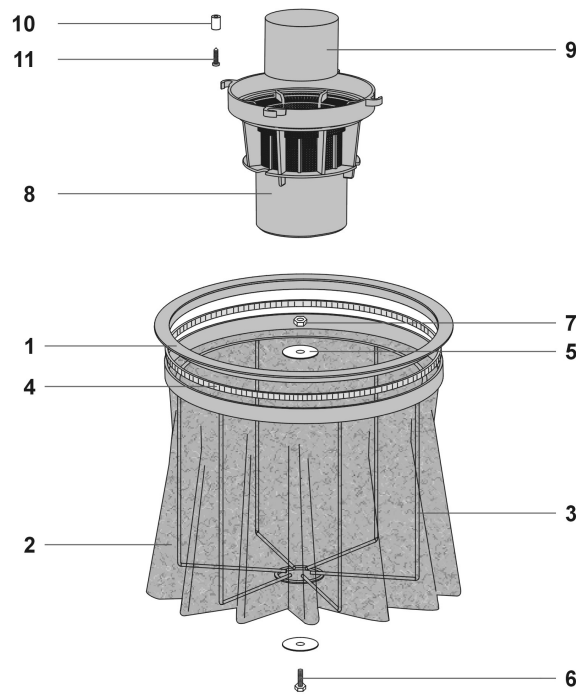
IPC Integrated Professional Cleaning

**IPC Soteco**

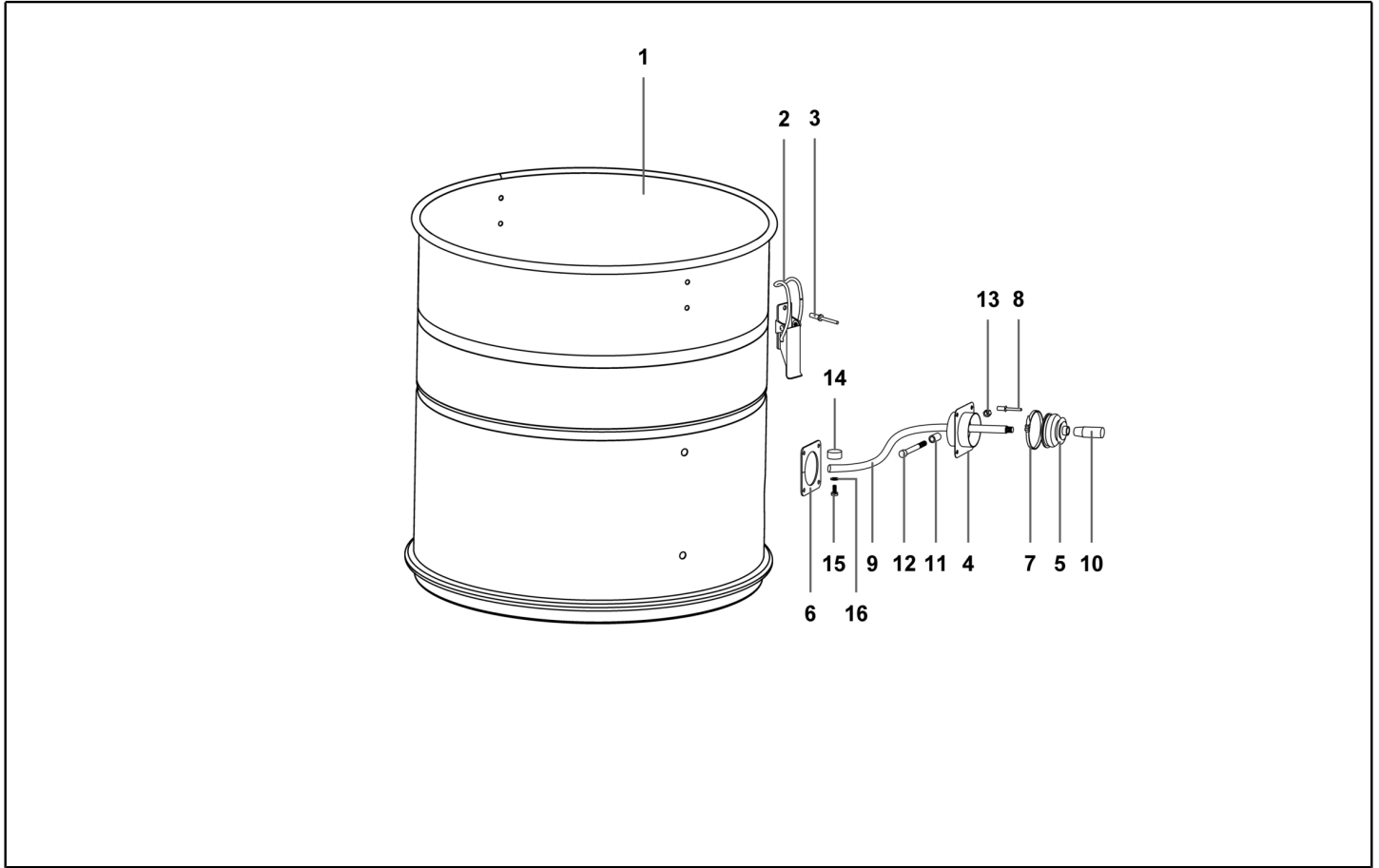
| Ref. K | Part n.   | Part n. 2 | Description                         | Quantity | Validity |    | Price |
|--------|-----------|-----------|-------------------------------------|----------|----------|----|-------|
|        |           |           |                                     |          | From     | To |       |
| 0001   | PMTA07617 |           | COMPLETE HEAD PANDA V633M 1200W     | 1,00     |          |    | --    |
| 0002   | KTRI04507 |           | COMPLETE FILTRATION KIT V600M       | 1,00     |          |    | --    |
| 0003   | LAFN89380 |           | DEC.TANK V600M W/O HOL.SAT+FILTSHAK | 1,00     |          |    | --    |
| 0004   | LAFN40085 |           | ALUMINIUM CONVEYOR 600              | 1,00     |          |    | --    |
| 0005   | GUVR37740 |           | GASKET MIR. D.600 L=1200            | 1,00     |          |    | --    |
| 0006   | PMFU01663 |           | TANK V600M 304 SP/1 SAT COMP        | 1,00     |          |    | --    |
| 0007   | MPVR89913 |           | TROLLEYTIPPING TROLLEY 600          | 1,00     |          |    | --    |
| 0008   | PMDT00618 |           | KIT ACCESSORIES D.38 V600M          | 1,00     |          |    | --    |



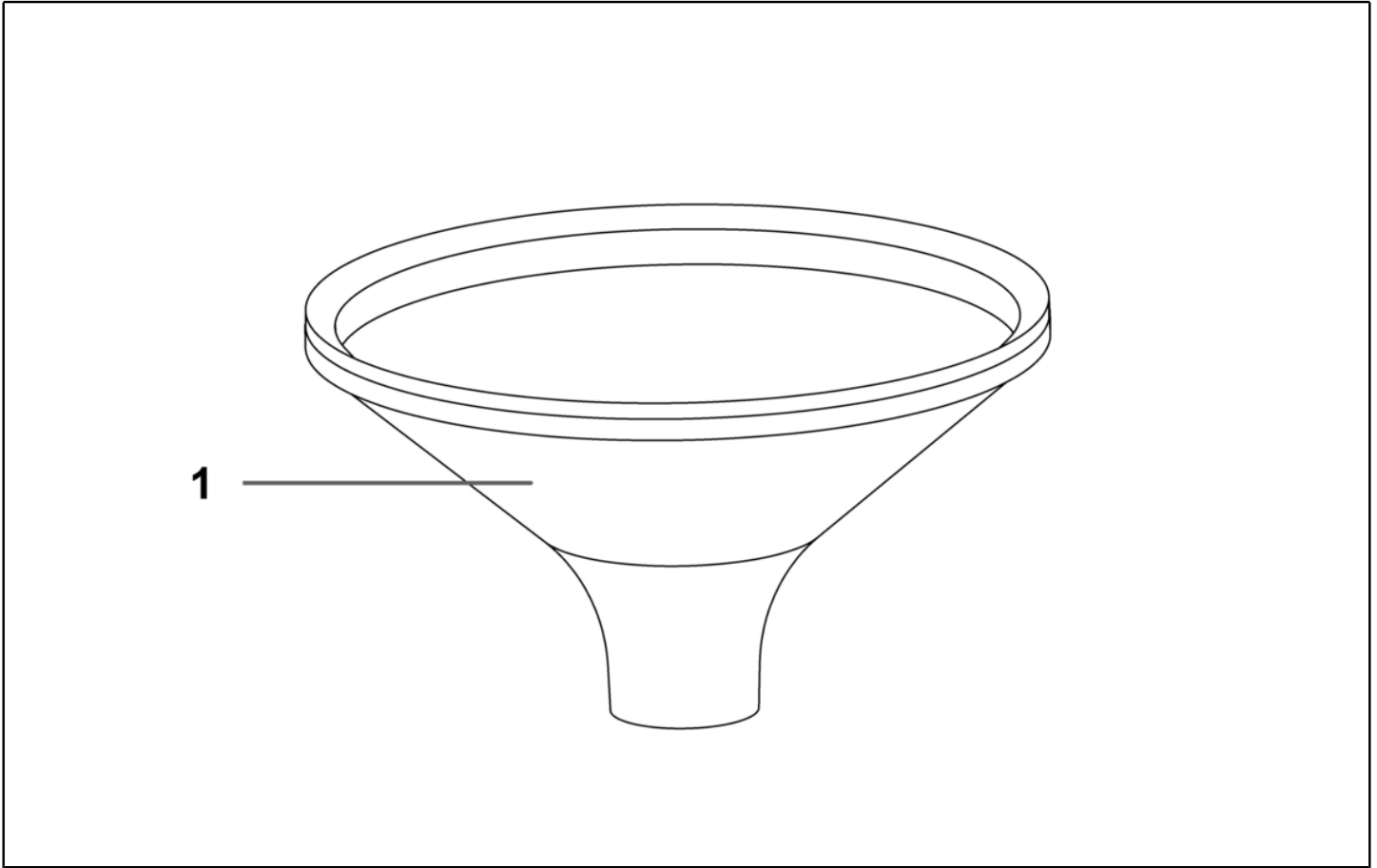
| Ref. K | Part n.   | Part n. 2 | Description                         | Quantity | Validity |    | Price |
|--------|-----------|-----------|-------------------------------------|----------|----------|----|-------|
|        |           |           |                                     |          | From     | To |       |
| *      | MECB01831 |           | ELECTR.KIT 50CM POKE-IN MOT TP 1200 | 3,00     |          |    | --    |
| *      | FSVR00127 |           | CLAMP                               | 4,00     |          |    | --    |
| *      | MECB35712 |           | WIRE WITH RESISTANCE                | 1,00     |          |    | --    |
| 0001   | MECB31445 |           | ELECTRIC CORD 2X1,5 MT.8,5          | 1,00     |          |    | --    |
| 0002   | MEVR28673 |           | FAIRLEAD                            | 1,00     |          |    | --    |
| 0003   | MPVR28690 |           | CABLE CLAMP                         | 1,00     |          |    | --    |
| 0004   | VTVT71961 |           | SCREW PFU TMT PHL 5X20 ZN NERA      | 2,00     |          |    | --    |
| 0005   | VTVT32295 |           | SCREW PAT TMT PHL 5X50              | 4,00     |          |    | --    |
| 0006   | MPVR10063 |           | HANDLE PANDA 600 (GREY 5000)        | 1,00     |          |    | --    |
| 0007   | VTVT72055 |           | SCREW PFU TMT PHL 5X25 ZN BLACK     | 2,00     |          |    | --    |
| 0008   | VTVT32295 |           | SCREW PAT TMT PHL 5X50              | 2,00     |          |    | --    |
| 0009   | VTVT71960 |           | SCREW SCREW PAT TMT PHL 5X14 ZN     | 2,00     |          |    | --    |
| 0010   | MEVR02008 |           | TERM.BOARD 400-600 3MOT.RAD         | 1,00     |          |    | --    |
| 0011   | VTVT71961 |           | SCREW PFU TMT PHL 5X20 ZN NERA      | 2,00     |          |    | --    |
| 0012   | PMVR05963 |           | COVER PANDA 600 3M G5               | 1,00     |          |    | --    |
| 0013   | VTVT72055 |           | SCREW PFU TMT PHL 5X25 ZN BLACK     | 2,00     |          |    | --    |
| 0014   | MECI28744 |           | ANTISPLASH RED LIGHT SWITCHER       | 3,00     |          |    | --    |
| 0015   | FTDP38064 |           | FILTER MTP/65 H=15 D.95             | 3,00     |          |    | --    |
| 0016   | VTVT40007 |           | SCREW PAT TMT PHL 5X55 BLACK        | 9,00     |          |    | --    |
| 0017   | MEVR72017 |           | GUIDING SLIT FOR QUICK COUPLING     | 1,00     |          |    | --    |
| 0018   | MPVR08511 |           | GREY COVER 600 5000                 | 1,00     |          |    | --    |
| 0019   | MPVR38371 |           | WASHER H8 D85X65                    | 3,00     |          |    | --    |
| 0020   | VTVT72106 |           | SCREW PAT TMT PHL 5X40 BLACK        | 9,00     |          |    | --    |
| 0021   | VTVT72106 |           | SCREW PAT TMT PHL 5X40 BLACK        | 3,00     |          |    | --    |
| 0022   | MPVR09334 |           | GREY MOT FASTEN NEV. 600 5000       | 1,00     |          |    | --    |
| 0023   | VTVT01181 |           | SCREW TC CROSS M 5X30 UNI 7687      | 1,00     |          |    | --    |
| 0024   | VTVT71961 |           | SCREW PFU TMT PHL 5X20 ZN NERA      | 12,00    |          |    | --    |
| 0025   | GUGO28683 |           | "L" GASKET W/O HOLES H=5,5          | 3,00     |          |    | --    |
| 0026   | MOMO00624 |           | MOTOR BD382 1200W 220-240 50/60     | 3,00     |          |    | --    |
| 0027   | GUGO28683 |           | "L" GASKET W/O HOLES H=5,5          | 3,00     |          |    | --    |
| 0028   | FTDP38057 |           | ANTINOISE TRIANGLE H=51             | 3,00     |          |    | --    |
| 0029   | FTDP28745 |           | GASKET MTP/30 AU-AD 50X10X85        | 3,00     |          |    | --    |
| 0030   | MPVR28748 |           | AUTOMATIC VALVE                     | 3,00     |          |    | --    |
| 0031   | PMBA00570 |           | BASE NEV.600 W/PLA G6 COMP          | 1,00     |          |    | --    |



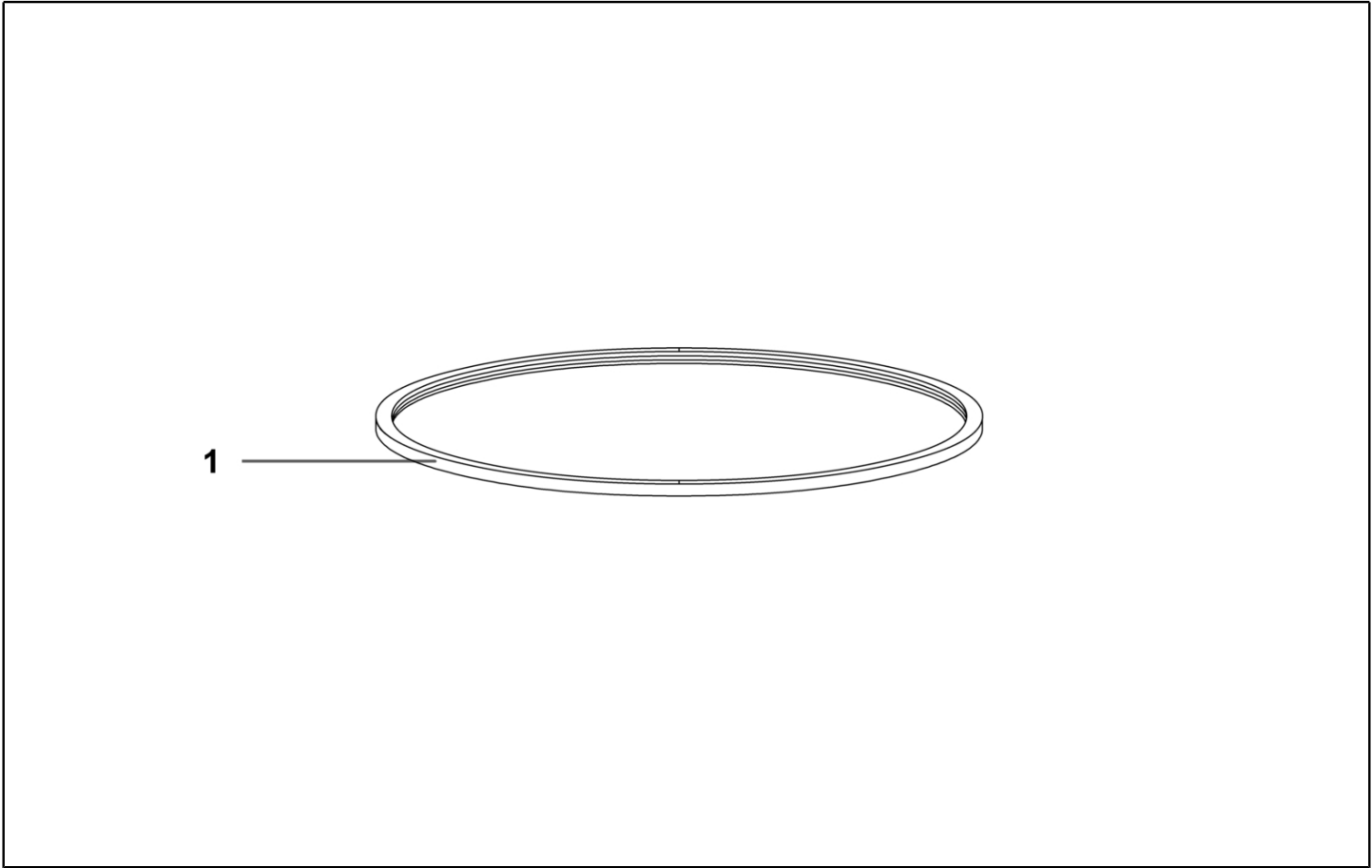
| Ref. K | Part n.   | Part n. 2 | Description                      | Quantity | Validity |    | Price |
|--------|-----------|-----------|----------------------------------|----------|----------|----|-------|
|        |           |           |                                  |          | From     | To |       |
| 0001   | MPVR35495 |           | FILTER RING 600                  | 1,00     |          |    | --    |
| 0002   | FTDP88584 |           | POLYESTERE FILTER V600M          | 1,00     |          |    | --    |
| 0003   | MPVR88838 |           | BASKET V 600 M                   | 1,00     |          |    | --    |
| 0004   | FSVR00148 |           | CLAMP STRINGITUBO D.345-380      | 1,00     |          |    | --    |
| 0005   | PMVR04414 |           | CAP D64 FILTERSHAKER PLANET      | 5,00     |          |    | --    |
| 0006   | VTVT01090 |           | SCREW TE M 6X20 UNI 5739         | 1,00     |          |    | --    |
| 0007   | VTDD00230 |           | SELF-LOCJ.NUT M 6 SMALL UNI 7474 | 1,00     |          |    | --    |
| 0008   | MPVR40521 |           | NET ANTIFOAM BODY HIGH           | 1,00     |          |    | --    |
| 0009   | RCGR40008 |           | HIGH FLOAT 99 W/GASKET 37 SHA    | 1,00     |          |    | --    |
| 0010   | MPVR35796 |           | BUSHING PLASTIC SLEEVE D.8       | 4,00     |          |    | --    |
| 0011   | VTVT36751 |           | SCREW SCREW PAT TMT PHL 5X25     | 4,00     |          |    | --    |



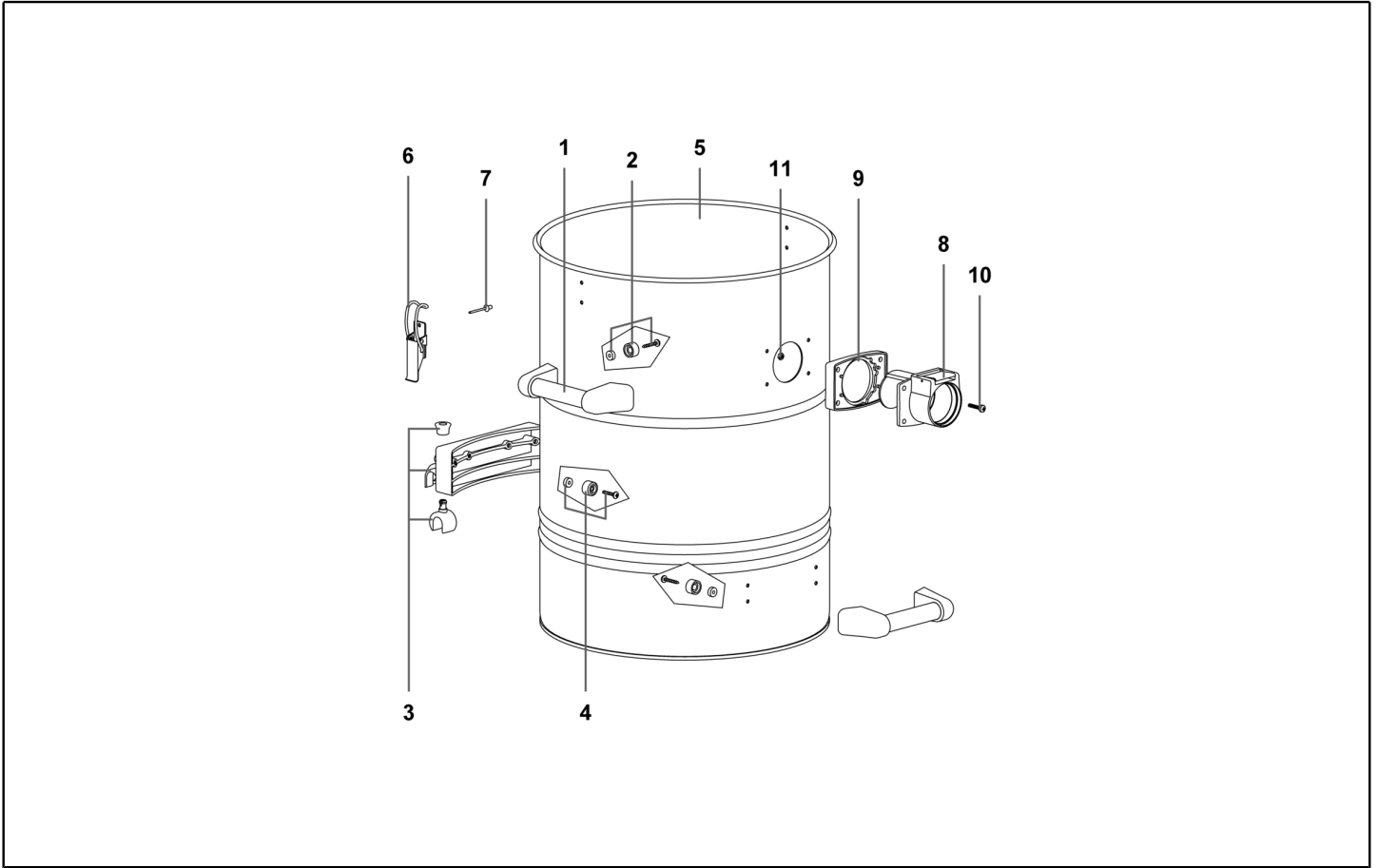
| Ref. K | Part n.   | Part n. 2 | Description                      | Quantity | Validity |    | Price |
|--------|-----------|-----------|----------------------------------|----------|----------|----|-------|
|        |           |           |                                  |          | From     | To |       |
| 0001   | LAFN40064 |           | DEC. TANK 600 304/1 H=490 SAT    | 1,00     |          |    | --    |
| 0002   | CHVR40000 |           | UNIVERSAL METAL HOOK             | 2,00     |          |    | --    |
| 0003   | VTVR71991 |           | RIVET 5X11                       | 4,00     |          |    | --    |
| 0004   | LAFN88787 |           | BELLOWS HOLDER F/FILTERSHAKER    | 1,00     |          |    | --    |
| 0005   | MPVR88788 |           | BELLOWS PROTECTION PLANET 200    | 1,00     |          |    | --    |
| 0006   | GUGO88789 |           | PLANET 100 SHAKER FILTER GASKET  | 1,00     |          |    | --    |
| 0007   | FSVR00074 |           | CLIP 300X9                       | 1,00     |          |    | --    |
| 0008   | VTVR71992 |           | RIVET RIVET 4,8X17               | 4,00     |          |    | --    |
| 0009   | LAFN88790 |           | FILTER SHAKER LEVER PLANET 100   | 1,00     |          |    | --    |
| 0010   | VTVR37754 |           | KNOB M10x30 L=70                 | 1,00     |          |    | --    |
| 0011   | MPVR06932 |           | SPACER PLASTIC D.10 D.6,3X20     | 2,00     |          |    | --    |
| 0012   | VTVT01235 |           | SCREW TE M 6X70 UNI 5737         | 1,00     |          |    | --    |
| 0013   | VTDD00230 |           | SELF-LOCJ.NUT M 6 SMALL UNI 7474 | 1,00     |          |    | --    |
| 0014   | LAFN88792 |           | DUMPING BASE BELT DRIVER M8 H=20 | 1,00     |          |    | --    |
| 0015   | VTVT01028 |           | SCREW TE M 8X25 UNI 5739         | 1,00     |          |    | --    |
| 0016   | VTRS00427 |           | TOOTHED WASHER M8 UNI 8842       | 1,00     |          |    | --    |



| Ref. K | Part n.   | Part n. 2 | Description            | Quantity | Validity |    | Price |
|--------|-----------|-----------|------------------------|----------|----------|----|-------|
|        |           |           |                        |          | From     | To |       |
| 0001   | LAFN40085 |           | ALUMINIUM CONVEYOR 600 | 1,00     |          |    | --    |
| 0001   | LAFN40085 |           | ALUMINIUM CONVEYOR 600 | 1,00     |          |    | --    |

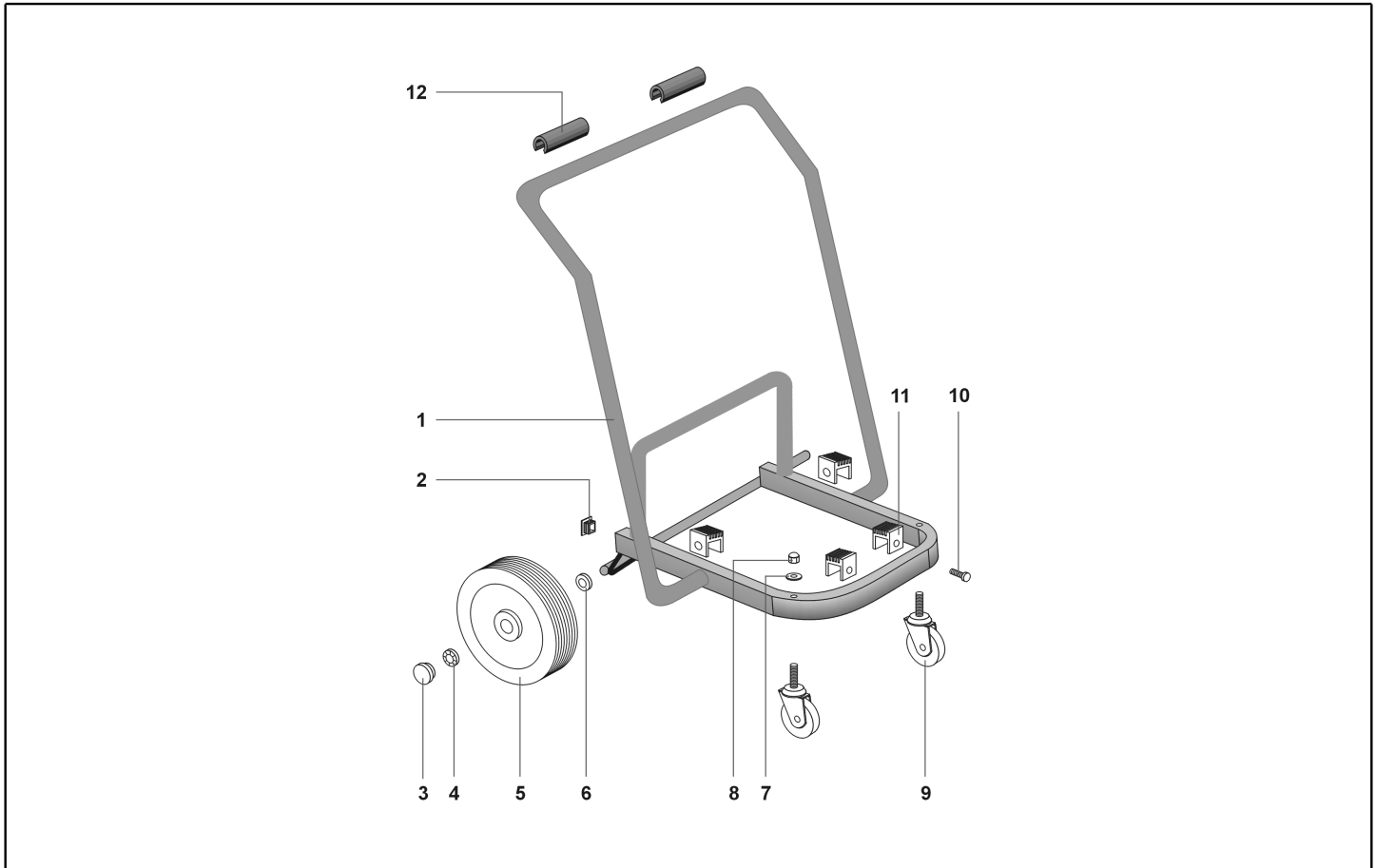


| Ref. K | Part n.   | Part n. 2 | Description           | Quantity | Validity |    | Price |
|--------|-----------|-----------|-----------------------|----------|----------|----|-------|
|        |           |           |                       |          | From     | To |       |
| 0001   | GUVR40021 |           | CONVEYOR GASKET 600 A | 1,20     |          |    | --    |

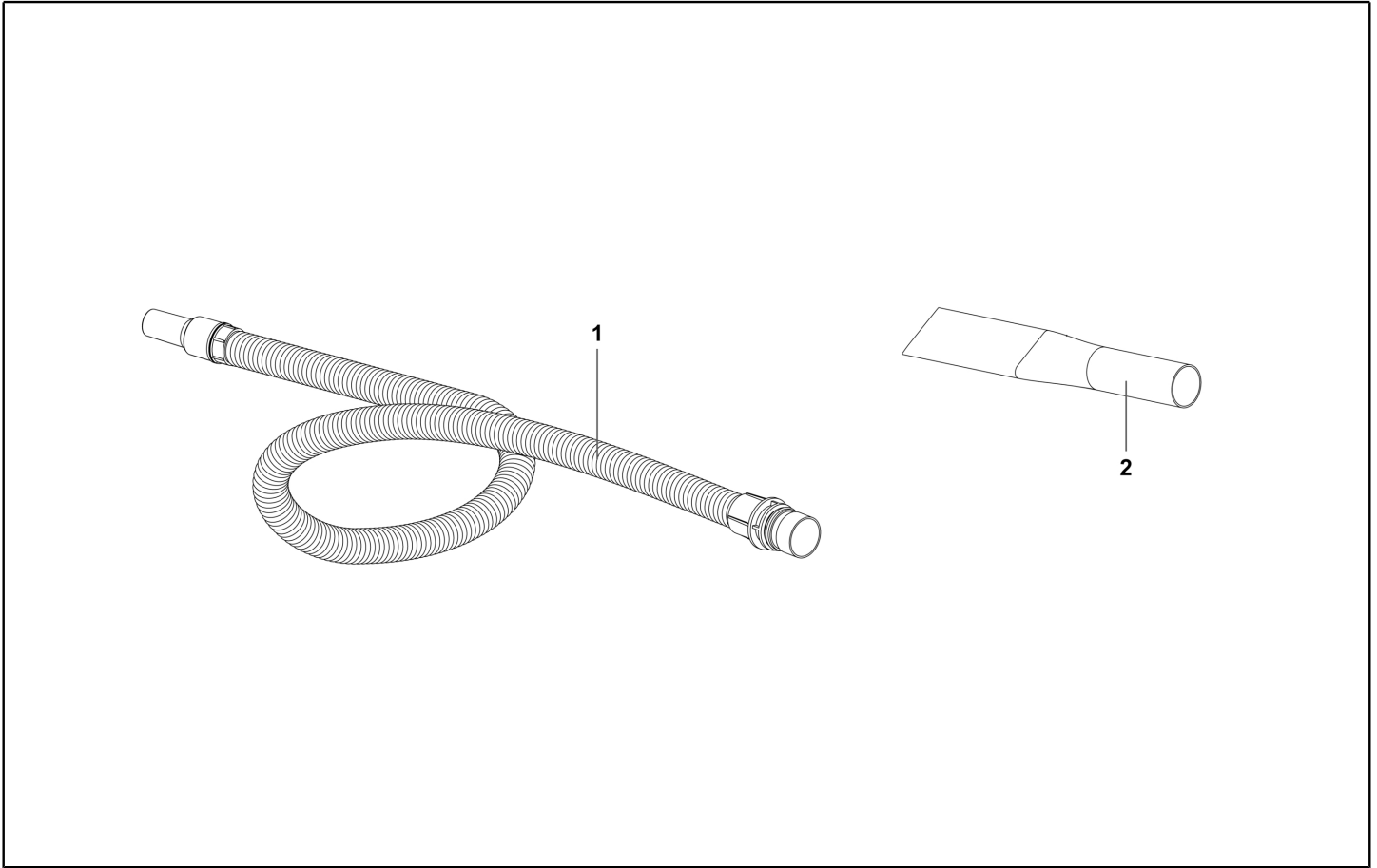


| Ref. K | Part n.   | Part n. 2 | Description                    | Quantity | Validity   |    | Price |
|--------|-----------|-----------|--------------------------------|----------|------------|----|-------|
|        |           |           |                                |          | From       | To |       |
| 0001   | MPVR28765 |           | TANK HANDLE "V.F." ISSA        | 3,00     |            |    | --    |
| 0002   | PMVR02551 |           | COMPL. SEAL JOI. C/VITE L=30   | 12,00    | 06/03/2019 |    | --    |
| 0003   | MPVR06993 |           | HINGE GROUP BASC COMP          | 1,00     |            |    | --    |
| 0004   | RIGE00015 |           | COMPLETE SEAL W/SCREW L=25     | 4,00     | 06/03/2019 |    | --    |
| 0005   | LAFN10204 |           | TANK V600M 304 SP/1 SAT        | 1,00     |            |    | --    |
| 0006   | CHVR40000 |           | UNIVERSAL METAL HOOK           | 2,00     |            |    | --    |
| 0007   | VTVR71991 |           | RIVET 5X11                     | 4,00     |            |    | --    |
| 0008   | MFVR40018 |           | INLET W/DEFLECTOR D60 AL. COMP | 1,00     |            |    | --    |
| 0009   | GUGO28736 |           | GASKET R 205 BLACK             | 1,00     |            |    | --    |
| 0010   | VTVT85000 |           | SCREW M 5X25                   | 4,00     |            |    | --    |
| 0011   | VTDD00223 |           | BRASS NUT M 5 UNI 5588         | 4,00     |            |    | --    |





| Ref. K | Part n.   | Part n. 2 | Description                     | Quantity | Validity |    | Price |
|--------|-----------|-----------|---------------------------------|----------|----------|----|-------|
|        |           |           |                                 |          | From     | To |       |
| 0001   | LAFN10164 |           | METALLIC STRUCT 600 BASCULANTE  | 1,00     |          |    | --    |
| 0002   | MPVR06136 |           | PLASTIC TOP 40X20               | 2,00     |          |    | --    |
| 0003   | MPVR85070 |           | WHEEL CAP D.200/250 BLACK       | 2,00     |          |    | --    |
| 0004   | MPVR72149 |           | BLOC D.20                       | 2,00     |          |    | --    |
| 0005   | RTRT24322 |           | WHEEL SR 250                    | 2,00     |          |    | --    |
| 0006   | VTRS00420 |           | PLASTIC WASHER D.40X20,5X3      | 2,00     |          |    | --    |
| 0007   | VTRS71964 |           | WASHER M 10                     | 2,00     |          |    | --    |
| 0008   | VTDD72234 |           | NUT M 10                        | 2,00     |          |    | --    |
| 0009   | RTRT21167 |           | FRONT WHEEL                     | 2,00     |          |    | --    |
| 0010   | VTVT72055 |           | SCREW PFU TMT PHL 5X25 ZN BLACK | 4,00     |          |    | --    |
| 0011   | MPVR06691 |           | FOOT TIPPING BEARING            | 4,00     |          |    | --    |
| 0012   | MPVR02288 |           | PLAST.TROLLEY HANDLE            | 2,00     |          |    | --    |



| Ref. K | Part n.   | Part n. 2 | Description                  | Quantity | Validity |    | Price |
|--------|-----------|-----------|------------------------------|----------|----------|----|-------|
|        |           |           |                              |          | From     | To |       |
| 0001   | TBFX88583 |           | COMPL.FLEX HOSE 38/99 MT.2,5 | 1,00     |          |    | --    |
| 0002   | SPPV72080 |           | CHROME LANCE D.38            | 1,00     |          |    | --    |



| Ref. K | Part n.   | Part n. 2 | Description                  | Quantity | Validity |    | Price |
|--------|-----------|-----------|------------------------------|----------|----------|----|-------|
|        |           |           |                              |          | From     | To |       |
| 0001   | VTVT36751 |           | SCREW SCREW PAT TMT PHL 5X25 | 1,00     |          |    | --    |
| 0001   | VTVT36751 |           | SCREW SCREW PAT TMT PHL 5X25 | 1,00     |          |    | --    |