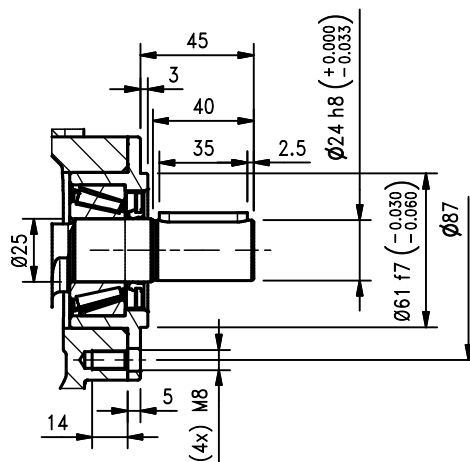
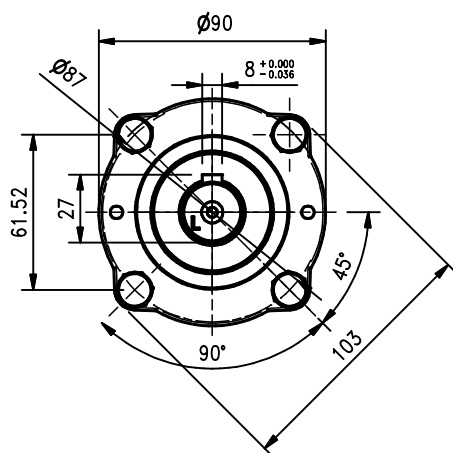
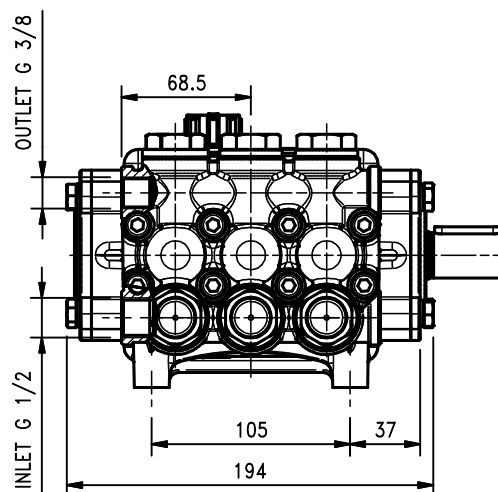
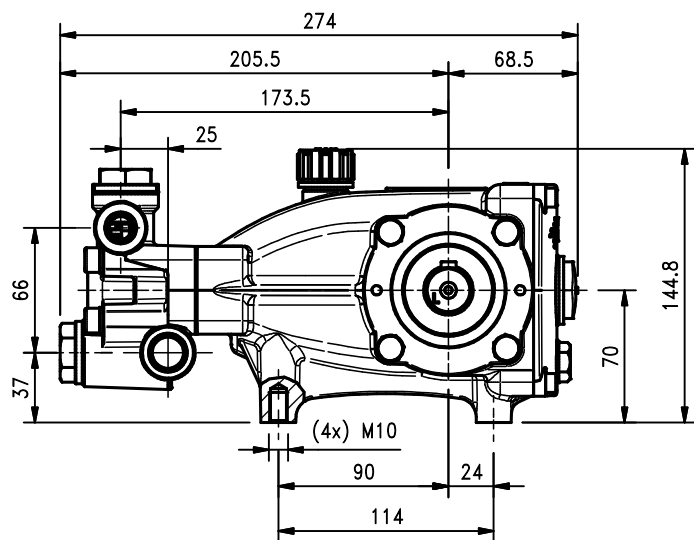


# Caratteristiche Tecniche **AQUAGROUP NMT HT 2020** *Technical Characteristics*

| Pump<br>Pompa | Pressure<br>Pressione |      | Volume<br>Portata |       |       |       | RPM<br>giri/min |       | Power<br>Potenza |       |       |       |
|---------------|-----------------------|------|-------------------|-------|-------|-------|-----------------|-------|------------------|-------|-------|-------|
|               |                       |      | l/min             |       | GPM   |       |                 |       | HP               |       | kW    |       |
|               | bar                   | PSI  | 50 Hz             | 60 Hz | 50 Hz | 60 Hz | 50 Hz           | 60 Hz | 50 Hz            | 60 Hz | 50 Hz | 60 Hz |
| AQU1520HTR    | 150                   | 2175 | 15.0              | 18.0  | 4.0   | 4.7   | 1450            | 1740  | 5.8              | 6.9   | 4.2   | 5.1   |

## Dimensioni d'ingombro

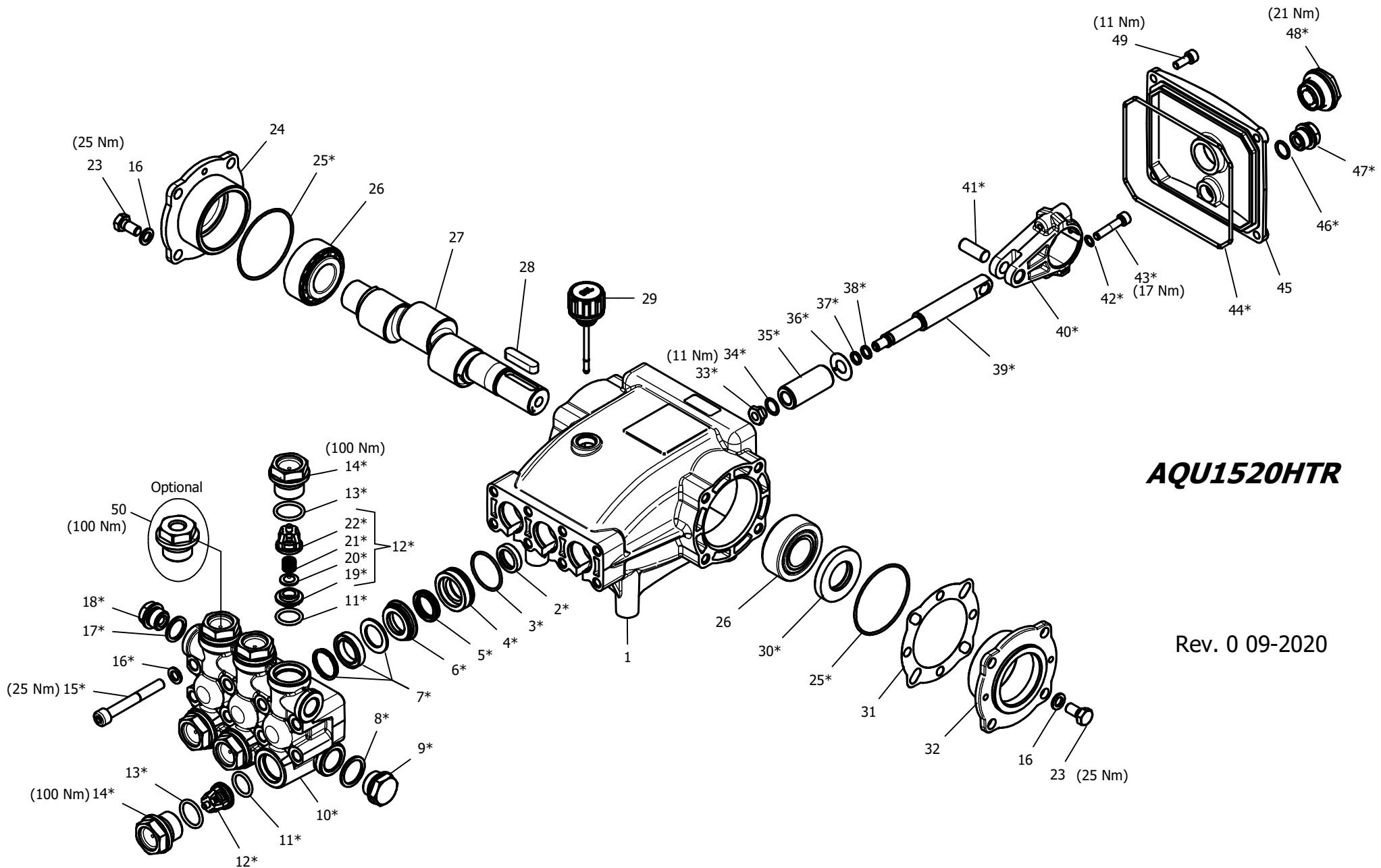
## Overall dimensions



Lubrificazione: Olio SAE 10W-40  
 Capacità: 0.7 Litri  
 Peso pompa: 10 Kg

rev. 0 09-2020

Lubrication: SAE 10W-40 Oil  
 Capacity: 0.7 Litres  
 Weight: 10 Kg



**AQU1520HTR**

Rev. 0 09-2020

**HAWK  
Pompe AQUAGROUP NMT HT serie 2020  
AQUAGROUP NMT HT pumps 2020 series**

## NMT HT AQUAGROUP 2020 SERIES

### ORDINARY MAINTENANCE KIT / KIT MANUTENZIONE ORDINARIA

| KIT | Item Pos.                        | Part Number Codice | Description              | Descrizione             | Q.TY by Pump<br>Q.TA per Pompa | AQU1520HTR |
|-----|----------------------------------|--------------------|--------------------------|-------------------------|--------------------------------|------------|
| A   | 3- 5- 7                          | 1.905-844.0        | PLUNGER SEALS DIA. 20 mm | GUARNIZIONI PISTONE Ø20 | 1                              | •          |
| B   | 11- 12- 13<br>(19- 20- 21<br>22) | 1.905-708.0        | COMPLETE VALVE           | VALVOLA COMPLETA        | 1                              |            |

### EXTRAORDINARY MAINTENANCE KIT / KIT MANUTENZIONE STRAORDINARIA

| KIT | Item Pos.  | Part Number Codice | Description                       | Descrizione                            | Q.TY by Pump<br>Q.TA per Pompa | AQU1520HTR |
|-----|--|--------------------|-----------------------------------|--|--------------------------------|------------|
| C   | 3- 4- 5- 6- 7  | 1.905-845.0        | COMPLETE SEALS PACKING DIA. 20 mm | PACCO COMPLETO GUARNIZIONI PISTONE Ø20 | 1                              | •          |
| D   | 33- 34- 35<br>36- 37- 38   | 1.099-749.0        | PLUNGER DIA. 20 mm                | PISTONE Ø20                            | 3                              |            |
| E   | 2  | 1.099-751.0        | PLUNGER OIL SEALS                 | ANELLI TENUTA OLIO ASTA                | 1                              |            |
| F   | 25- 30- 44<br>46- 47- 48   | 1.905-542.0        | KIT CRANKCASE SEALS               | KIT TENUTE CARTER                      | 1                              |            |
| G   | 3- 4- 5- 6- 7<br>8- 9- 10- 11<br>12- 13- 14<br>15- 16- 17<br>18 (19- 20<br>21- 22) | 1.099-854.0        | COMPLETE MANIFOLD                 | TESTATA COMPLETA                       | 1                              |            |
| H   | 33- 34- 37<br>38- 39- 40<br>41- 42- 43   | 1.905-544.0        | CONNECTING ROD PLUNGER ROD ASSY   | PREMONTATO ASTA-BIELLA PISTONE         | 3                              |            |
| I   | 13- 14   | 1.904-133.0        | VALVE PLUG ASSY                   | PREMONTATO TAPPO VAM                   | 6                              |            |

“Q.TY by Pump” => Necessary quantity to repair one pump  
 “Q.TA’ per Pompa” => Quantità necessaria per riparare una pompa

### OPTIONAL

| Item Pos. | Part Number Codice | Description              | Descrizione             | Q.TY by Pump Q.TA per Pompa | AQU1520HTR |
|-----------|--------------------|--------------------------|-------------------------|-----------------------------|------------|
| 50        | 9.853-426.0        | THREADED BRASS PLUG G1/4 | PREMONTATO TAPPO FORATO | 1                           | •          |

### TOOL KIT

| Part Number Codice | Description                 | Descrizione                  | Q.TY by Pump Q.TA per Pompa | AQU1520HTR |
|--------------------|-----------------------------|------------------------------|-----------------------------|------------|
| 1.099-667.0        | TOOL-KIT                    | TOOL-KIT                     | 1                           | •          |
| 1.904-414.0        | OIL SEAL EXTRACTOR TOOL-KIT | TOOL-KIT ESTRAZIONE PARAOLIO | 1                           | •          |

### IMPORTANT

### IMPORTANTE

\* **Part available ONLY in kit**  
**Disponibile SOLO in kit**

(...) **Parts pre-assembled**  
**Parti pre-assemblate**

## PARTS LIST LISTA PARTI

| Item Pos | Part Number Codice | Description                      | Descrizione               | KIT   | Q.TY Q.TÀ | AQU1520HTR |
|----------|--------------------|----------------------------------|---------------------------|-------|-----------|------------|
| 1        | 9.850-375.0        | CRANKCASE                        | CARTER                    |       | 1         |            |
| 2*       |                    | PLUNGER OIL SEAL                 | ANELLO RADIALE            | E     | 3         |            |
| 3*       |                    | "O" RING Ø1.78X31.47             | "O" RING Ø1.78X31.47      | A-C-G | 3         |            |
| 4*       |                    | PRESSURE RING 20MM               | PRESSORE "U" Ø20          | C-G   | 3         |            |
| 5*       |                    | LOW PRESSURE "U" SEAL, DIA.20MM  | ANELLO TENUTA "U" Ø20     | A-C-G | 3         |            |
| 6*       |                    | INTERMED. RING 20MM              | DIFFUSORE INTER. Ø20      | C-G   | 3         |            |
| 7*       |                    | HIGH PRESSURE "U" SEAL, DIA.20MM | ANELLO TENUTA "U" Ø20     | A-C-G | 3         |            |
| 8*       |                    | COPPER WASHER G1/2               | GUARNIZIONE RAME          | G     | 1         |            |
| 9*       |                    | BRASS PLUG G1/2 NICKEL PLATED    | TAPPO G1/2 NICHELATO      | G     | 1         |            |
| 10*      |                    | MANIFOLD HOUSING NICKEL PLATED   | TESTATA NICHELATA         | G     | 1         |            |
| 11*      |                    | "O" RING Ø2.62X17.13             | "O" RING Ø2.62X17.13      | B-G   | 6         |            |
| 12*      |                    | VALVE ASSEMBLY                   | VALVOLA PREMONTATA        | B-G   | 6         |            |
| 13*      |                    | "O" RING Ø2.62X20.29             | "O" RING Ø2.62X20.29      | B-G-I | 6         |            |
| 14*      |                    | VALVE PLUG NICKEL PLATED         | TAPPO VALVOLA NICHELATO   | G-I   | 6         |            |
| 15*      |                    | MANIFOLD STUD BOLT M8X65 GEOMET  | VITE M8X65 GEOMET         | G     | 8         |            |
| 16*      |                    | WASHER Ø8,5                      | ROSETTA Ø8.5              | G     | 16        |            |
| 17*      |                    | COPPER WASHER G3/8               | GUARNIZIONE RAME          | G     | 1         |            |
| 18*      |                    | BRASS PLUG G3/8 NICKEL PLATED    | TAPPO G3/8 NICHELATO      | G     | 2         |            |
| 19*      |                    | VALVE SEAT                       | SEDE VALVOLA              | B-G   | 6         |            |
| 20*      |                    | VALVE PLATE                      | PIATTELLO VALVOLA         | B-G   | 6         |            |
| 21*      |                    | VALVE SPRING                     | MOLLA VALVOLA             | B-G   | 6         |            |
| 22*      |                    | VALVE CAGE                       | GABBIA VALVOLA            | B-G   | 6         |            |
| 23       | 9.851-501.0        | HEXAGONAL SCREW M8X18            | VITE M8X18                |       | 8         |            |
| 24       | 9.850-626.0        | CLOSED BEARING HOUSING           | FLANGIA CHIUSA            |       | 1         |            |
| 25*      |                    | "O" RING Ø1.78X60.05             | "O" RING Ø1.78X60.05      | F     | 2         |            |
| 26       | 9.850-349.0        | ROLLER BEARING 33205             | CUSCINETTO A RULLI 33205  |       | 2         |            |
| 27       | 9.850-177.0        | SINGLE - ENDED SHAFT             | ALBERO SEMPLICE P.D.F.    |       | 1         |            |
| 28       | 9.850-446.0        | CRANKSHAFT KEY                   | CHIAVETTA                 |       | 1         |            |
| 29       | 9.851-286.0        | OIL DIP STICK                    | TAPPO LIVELLO OLIO        |       | 1         |            |
| 30*      |                    | CRANKSHAFT SEAL                  | ANELLO RADIALE            | F     | 1         |            |
| 31       | 9.850-547.0        | SHIM                             | DISTANZIALE               |       | 1         |            |
| 32       | 9.850-625.0        | BEARING HOUSING                  | FLANGIA                   |       | 1         |            |
| 33*      |                    | PLUNGER NUT                      | DADO PISTONE              | D-H   | 3         |            |
| 34*      |                    | COPPER SPACER Ø 11.2/15X0.5      | ROSETTA RAME Ø 1.2/15X0.5 | D-H   | 3         |            |
| 35*      |                    | PLUNGER 20MM                     | PISTONE Ø20               | D     | 3         |            |
| 36*      |                    | COPPER SPACER Ø 11.3/24X0.5      | ROSETTA RAME Ø 1.3/24X0.5 | D     | 3         |            |
| 37*      |                    | "O" RING Ø1.78X7.66              | "O" RING Ø1.78X7.66       | D-H   | 3         |            |
| 38*      |                    | TEFLON RING                      | ANELLO ANTIESTRUSIONE     | D-H   | 3         |            |

| Item Pos | Part Number Codice | Description                | Descrizione            | KIT | Q.TY<br>Q.TÀ | AQU1520HTR |
|----------|--------------------|----------------------------|------------------------|-----|--------------|------------|
| 39*      |                    | PLUNGER ROD                | ASTA PISTONE           | H   | 3            | •          |
| 40*      |                    | CONNECTING ROD             | BIELLA                 | H   | 3            |            |
| 41*      |                    | CONNECTING ROD PIN         | SPINOTTO               | H   | 3            |            |
| 42*      |                    | SPRING WASHER Ø6           | ROSETTA ELASTICA Ø6    | H   | 6            |            |
| 43*      |                    | CONNECTING ROD SCREW M6X30 | VITE M6X30             | H   | 6            |            |
| 44*      |                    | "O" RING Ø 2.62X126.67     | "O" RING Ø 2.62X126.67 | F   | 1            |            |
| 45       | 9.850-388.0        | CRANKCASE COVER            | COPERCHIO POSTERIORE   |     | 1            |            |
| 46*      |                    | "O" RING Ø1.78X14          | "O" RING Ø1.78X14      | F   | 1            |            |
| 47*      |                    | BRASS PLUG G 3/8           | TAPPO G 3/8            | F   | 1            |            |
| 48*      |                    | SIGHT GLASS, G3/4          | SPIA LIVELLO OLIO G3/4 | F   | 1            |            |
| 49       | 9.851-474.0        | SCREW M6X16                | VITE M6X16             |     | 4            |            |