



**IPC**

**Spare parts list**

Ref: ASDO11195

Cust.ref: ASDO11195

Model: TORNADO 600MARK STAINL.STEEL 3FLOW

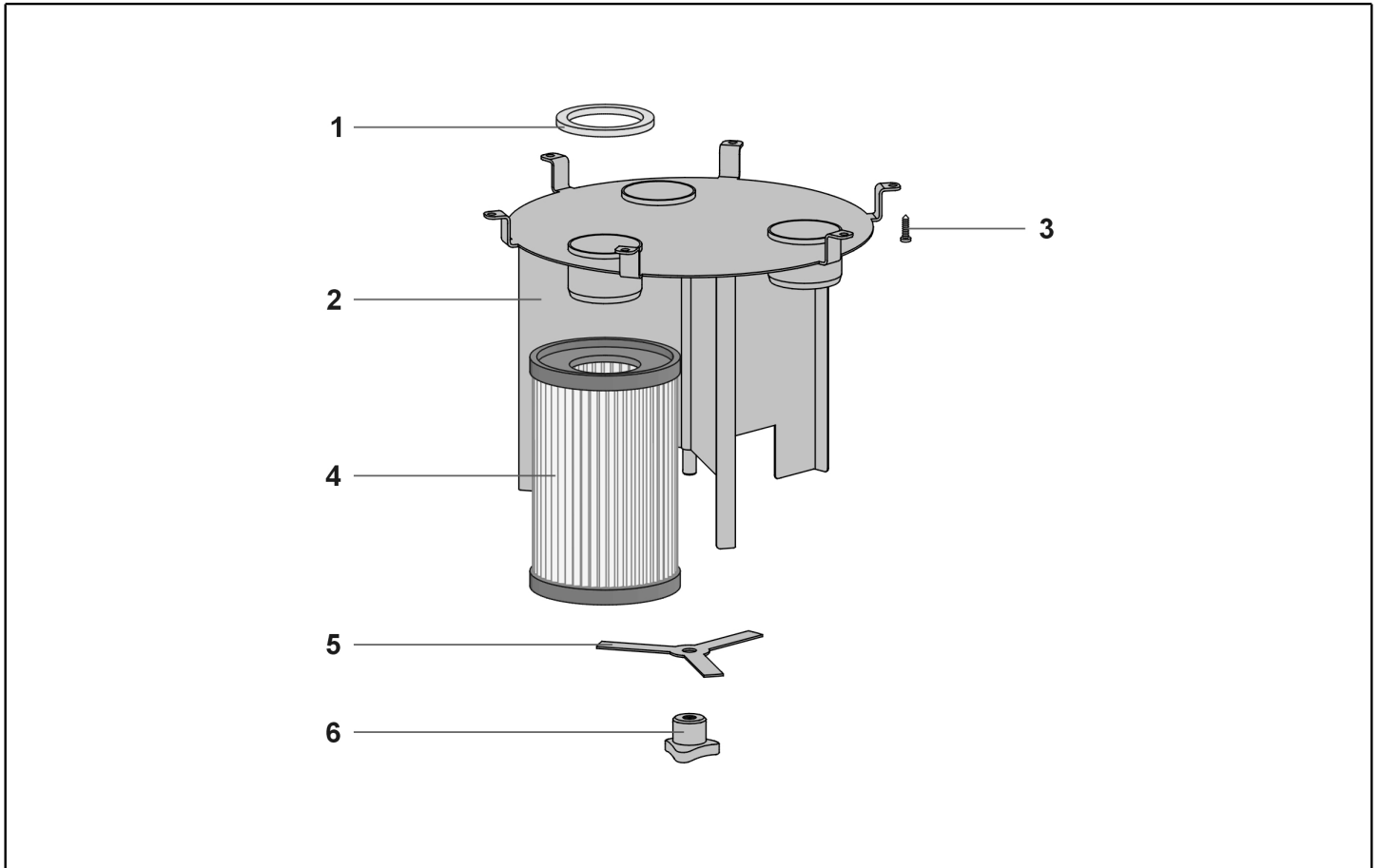
Cust.model: TPR3FST/TORN3FL



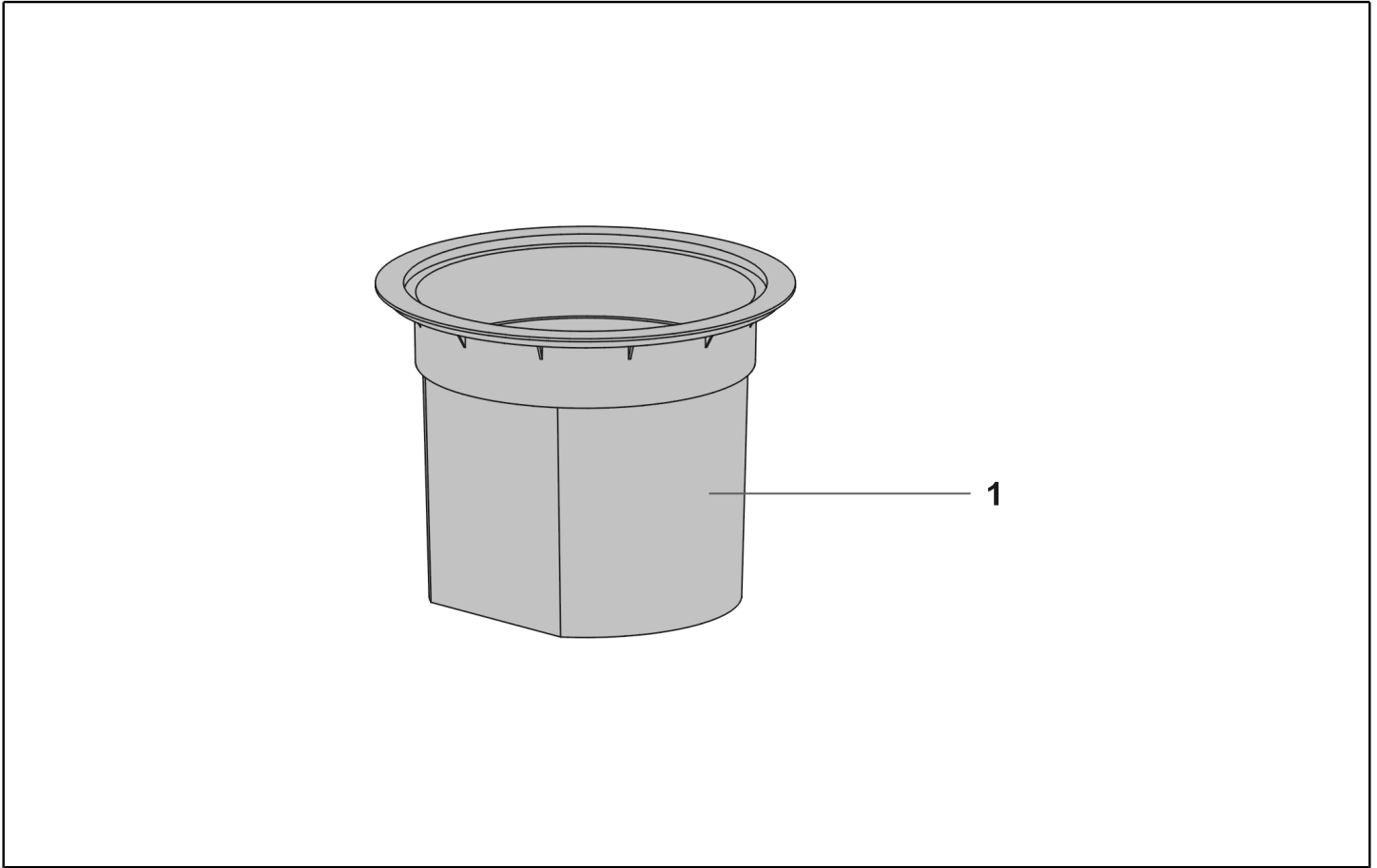
IPC Integrated Professional Cleaning

**IPC Soteco**

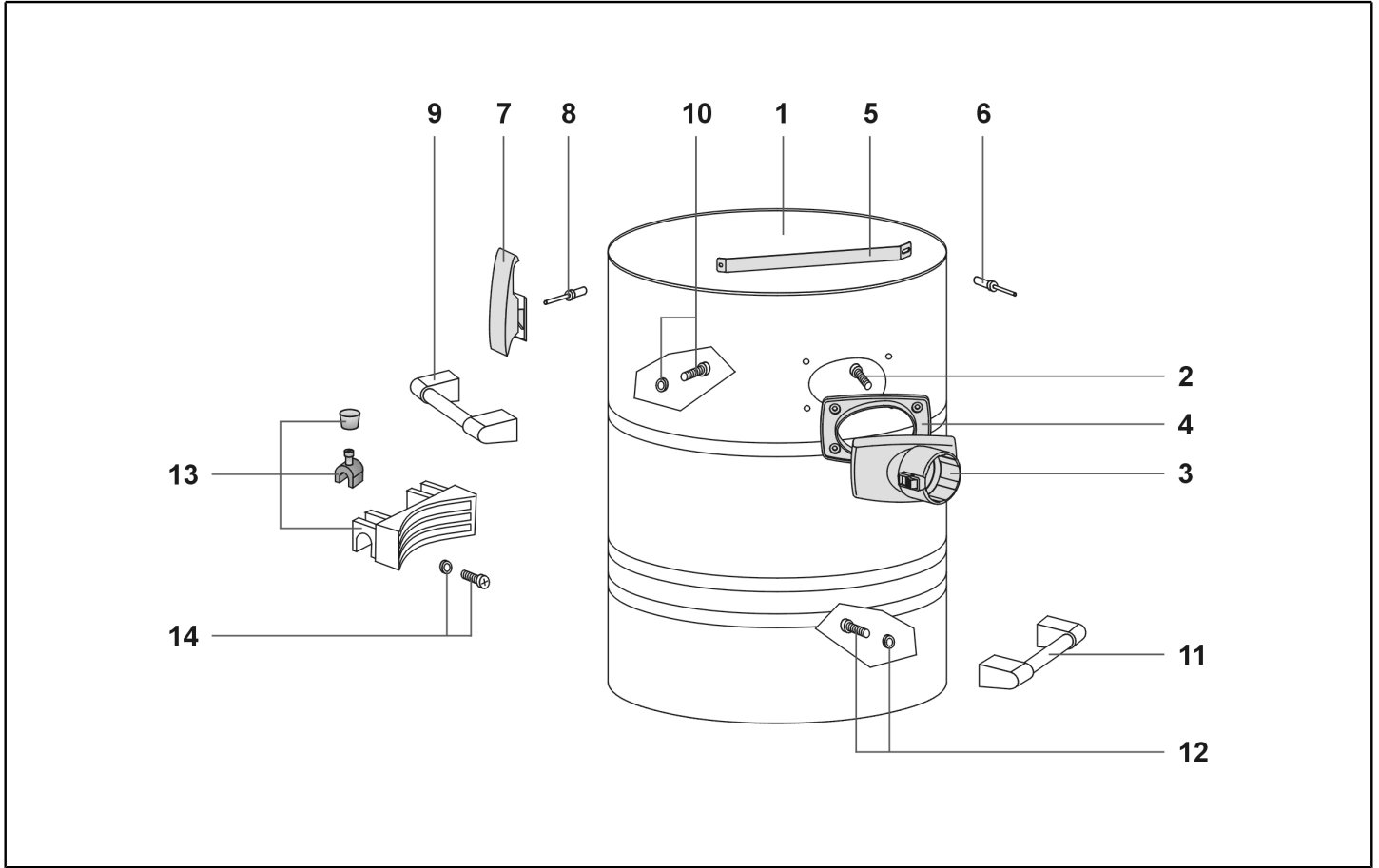
Ref. K	Part n.	Part n. 2	Description	Quantity	Validity		Price
					From	To	
0001	PMTA01799		TOPPER HEAD 600 3-FLOW 230V	1,00			--
0002	KTRI03686		FILTERING KIT 400/600 3-FLOW	1,00			--
0003	MPVR08333		PROTECTION FILTER W-D-600 CONDUTT.	1,00			--
0004	PMFU01267		TANK MEC.600 BASC.A430 TANG. C	1,00			--
0005	CARR01374		TIPPING TROLLEY NEVADA	1,00			--
0006	PMDT00341		ACC.KIT 38/60 DRY W/580+COND.FLEX H	1,00			--



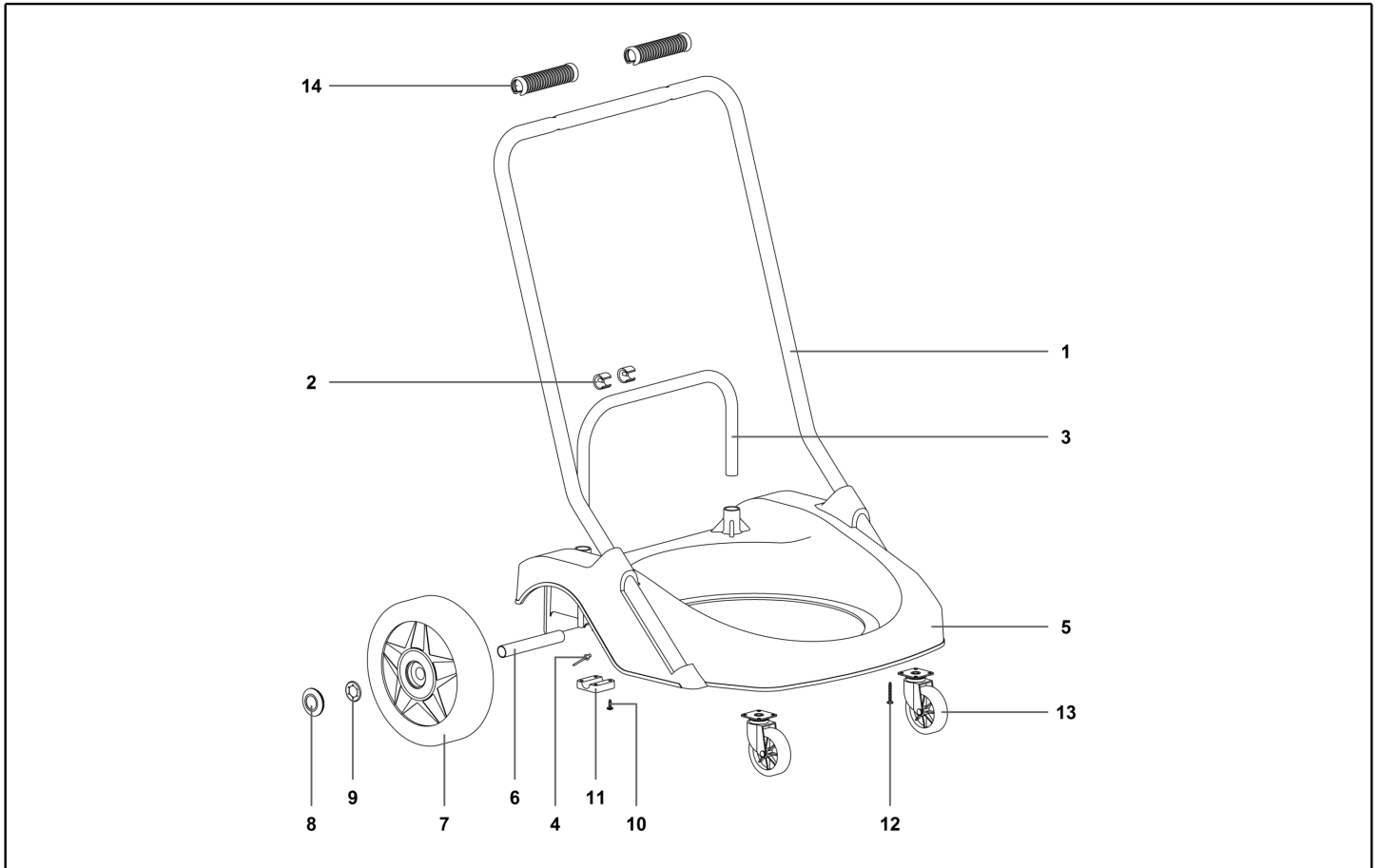
Ref. K	Part n.	Part n. 2	Description	Quantity	Validity		Price
					From	To	
0001	GUVR72062		GASKET FOR SUCTION BUSH	6,00			--
0002	LAFN08943		SEPARATOR 3 FLOW	1,00			--
0003	VTVT71960		SCREW SCREW PAT TMT PHL 5X14 ZN	6,00			--
0004	FTDP00409		POLY. CARTRIDGE 125X55X180 CIFC	3,00			--
0005	LAFN08909		DISK FILTERSTOP 3 FLOW	1,00			--
0006	VTVR00346		HAND-WHEEL M 10 "F" 3 POINTS	1,00			--



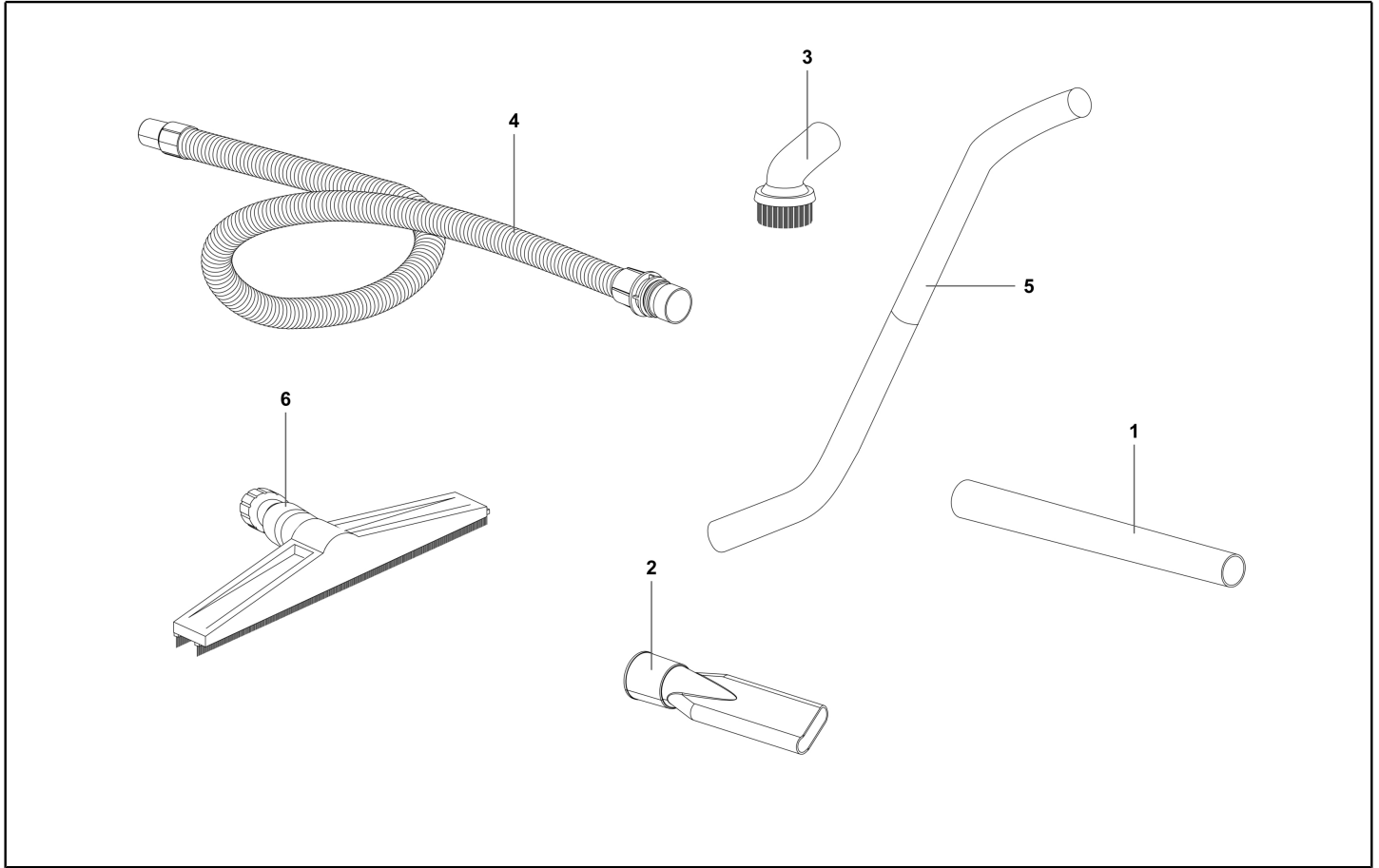
Ref. K	Part n.	Part n. 2	Description	Quantity	Validity		Price
					From	To	
0001	MPVR08333		PROTECTION FILTER W-D-600 CONDUTT.	1,00			--
0001	MPVR08333		PROTECTION FILTER W-D-600 CONDUTT.	1,00			--



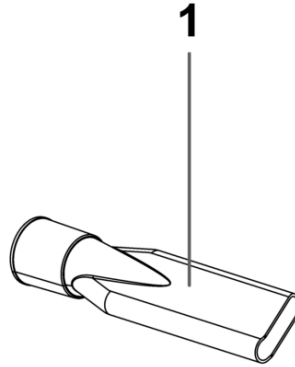
Ref. K	Part n.	Part n. 2	Description	Quantity	Validity		Price
					From	To	
0001	LAFN09973		TANK NEV.600 BASC.AISI430 F/B.	1,00			--
0002	VTVT72055		SCREW PFU TMT PHL 5X25 ZN BLACK	4,00			--
0003	MPVR10409		PIPE UNION TANG. COND. C/PUL.RN	1,00			--
0004	MPVR07323		GASKET BOCCH. TANGENZIALE R205	1,00			--
0005	LAFN09499		POSITION LOCK FOR HEADS 400/600	1,00			--
0006	VTVR71991		RIVET 5X11	2,00			--
0007	PMVR02871		PLASTIC HOOK COMPL. GR6000	2,00		07/09/2020	--
0007	CHVR28735		COMPLETE PLASTIC HOOK BLACK	2,00	08/09/2020		--
0008	VTVR71991		RIVET 5X11	4,00			--
0009	MPVR28765		TANK HANDLE "V.F." ISSA	2,00			--
0010	PMVR02551		COMPL.SEAL JOI. C/VITE L=30	8,00			--
0011	MPVR28765		TANK HANDLE "V.F." ISSA	1,00			--
0012	PMVR02551		COMPL.SEAL JOI. C/VITE L=30	4,00			--
0013	MPVR06993		HINGE GROUP BASC COMP	1,00			--
0014	RIGE00015		COMPLETE SEAL W/SCREW L=25	4,00			--



Ref. K	Part n.	Part n. 2	Description	Quantity	Validity		Price
					From	To	
0001	LAFN09981		HANDLE NEVADA BLACK VARN.	1,00			--
0002	LAFN72157		POSITIONER MIR. 1600	2,00			--
0003	LAFN28769		CHROME HANDLE NEVADA	1,00			--
0004	VTVR71991		RIVET 5X11	2,00		17/01/2021	--
0004	VTVR71992		RIVET RIVET 4,8X17	2,00	18/01/2021		--
0005	MPVR28771		TROLLEY MIR. 1600	1,00			--
0006	LAFN28772		WHEEL PIVOT D.20X140	2,00			--
0007	RTRT24322		WHEEL SR 250	2,00			--
0008	MPVR85070		WHEEL CAP D.200/250 BLACK	2,00			--
0009	MPVR72149		BLOC D.20	2,00			--
0010	VTVT01193		SCREW PAT TMT PHL 5X15 ZN BLACK	8,00			--
0011	MPVR28774		LOCK PIVOT BRACKET	2,00			--
0012	VTVT71971		SCREW PAT TMT PHL 5X35 BLACK	8,00			--
0013	RTRT28775		FLANGED WHEEL D.80	2,00			--
0014	MPVR02288		PLAST.TROLLEY HANDLE	2,00			--

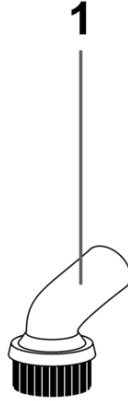


Ref. K	Part n.	Part n. 2	Description	Quantity	Validity		Price
					From	To	
0001	MPVR00152		EXTENSION D.38 MT.0.50	2,00			--
0002	SPPV00156		FLAT LANCE D.38	1,00			--
0003	SPPV43052		ROUND TOOL D.38	1,00			--
0004	TBFX00797		FLEX HOSE 38/60 MT.2,5 CONDUCTIVE	1,00			--
0005	LAFN28240		DOUBLE BEND ISSA	1,00			--
0006	SPPV37133		DUST TOOL 400	1,00			--



Ref. K	Part n.	Part n. 2	Description	Quantity	Validity		Price
					From	To	
0001	SPPV00156		FLAT LANCE D.38	2,00			--
0001	SPPV00156		FLAT LANCE D.38	2,00			--





Ref. K	Part n.	Part n. 2	Description	Quantity	Validity		Price
					From	To	
0001	SPPV43052		ROUND TOOL D.38	1,00			--
0001	SPPV43052		ROUND TOOL D.38	1,00			--