



IPC

Spare parts list

Ref: ASDO11173

Cust.ref: ASDO11173

Model: VACUUM CLEANER TORNADO 215 INOX W/ACC.

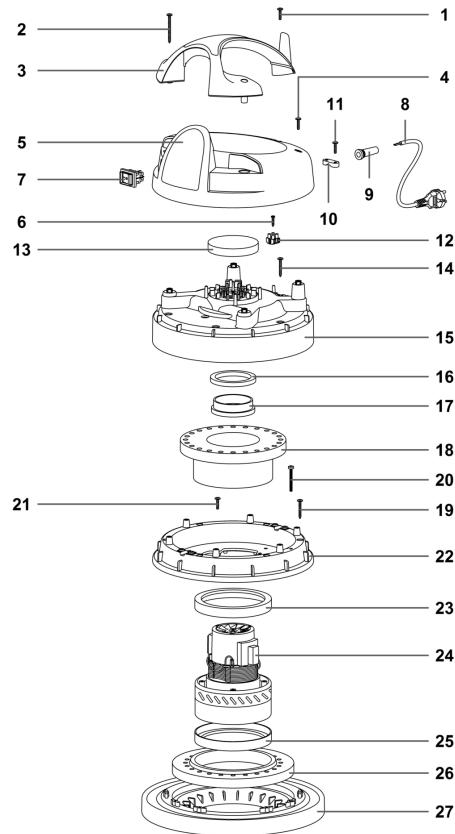
Cust.model: TPR215/2TORN215



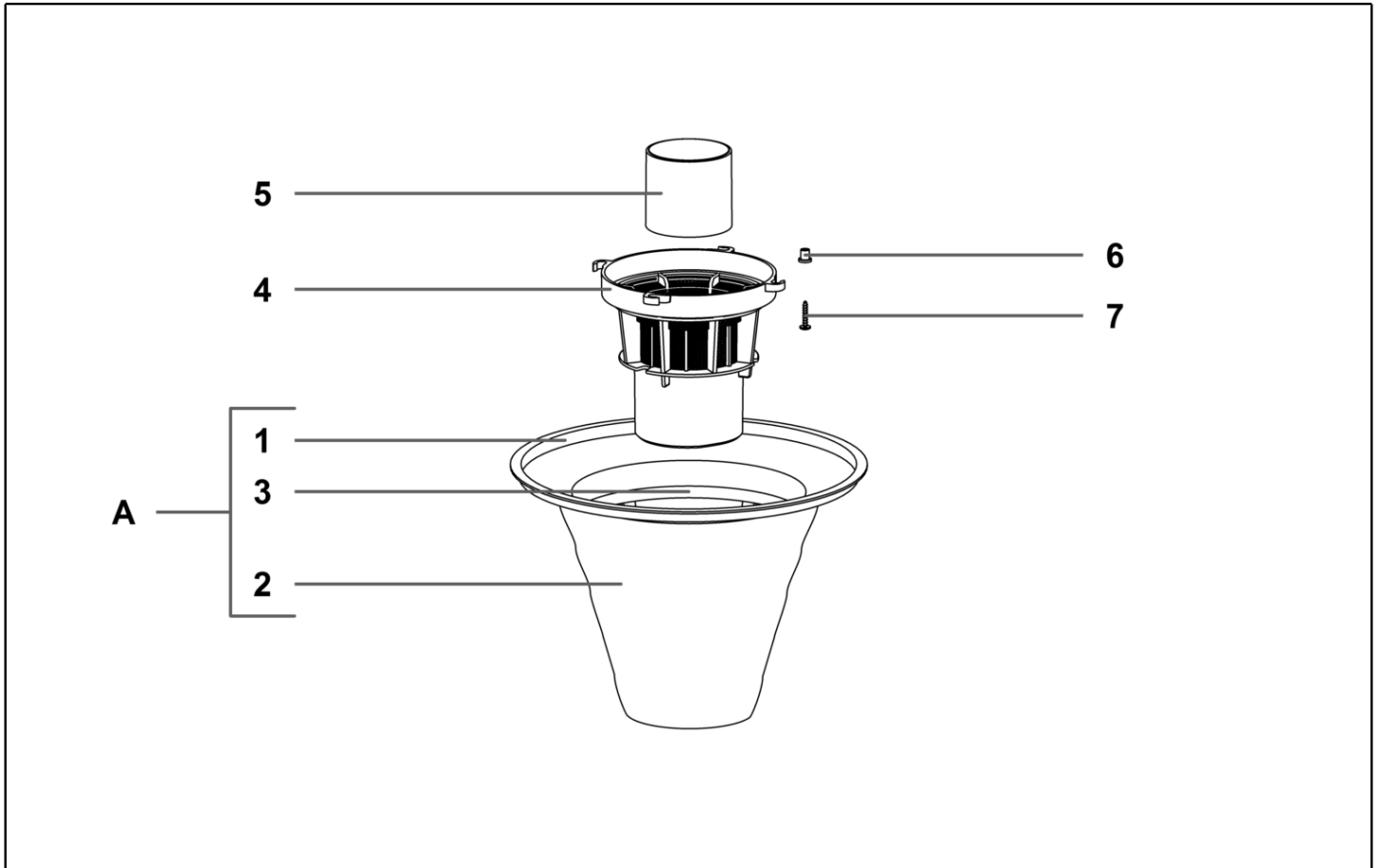
IPC Integrated Professional Cleaning

IPC Soteco

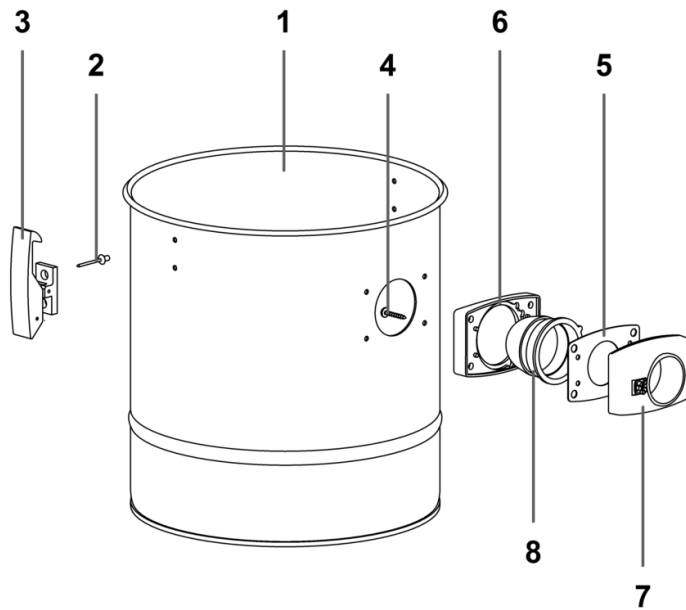
Ref. K	Part n.	Part n. 2	Description	Quantity	Validity		Price
					From	To	
0001	PMTA01393		HEAD TOPPER 215/515 RAD 2/ST	1,00			--
0002	KTRI04088		FILTERING KIT 500 CONICO SAN.COMPL.	1,00			--
0003	LAFN10695		TANK PANDA 215 AISI 430 COMP	1,00			--
0004	MPVR28703		TROLLEYSQUARE TROLLEY 202 GREY 6	1,00			--
0005	KTRI85411		ACCESS.KIT 36 WET-DRY	1,00			--



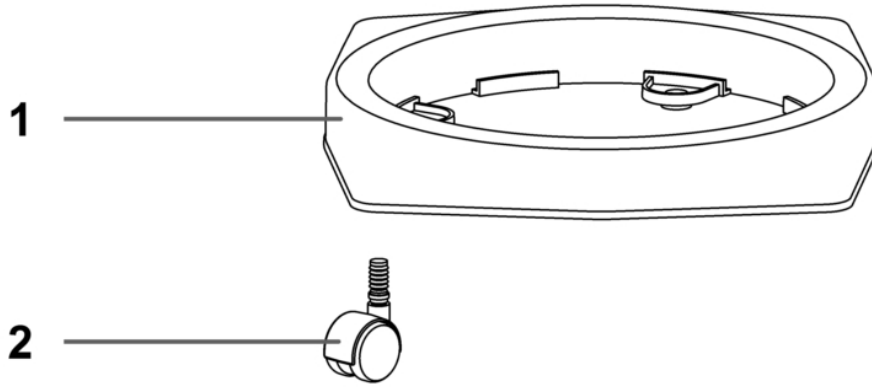
Ref. K	Part n.	Part n. 2	Description	Quantity	Validity		Price
					From	To	
*	FSVR00127		CLAMP	1,00			--
*	MECB01828		WIRING 40CM MOTOR POKE-IN-TP	1,00			--
*	MECB35712		WIRE WITH RESISTANCE	1,00			--
0001	VTVT71961		SCREW PFU TMT PHL 5X20 ZN NERA	1,00			--
0002	VTVT40007		SCREW PAT TMT PHL 5X55 BLACK	2,00			--
0003	MPVR08268		LOBSTER HANDLE TOPPER 500	1,00			--
0004	VTVT71961		SCREW PFU TMT PHL 5X20 ZN NERA	2,00			--
0005	MPVR08286		COVER TOPPER 500 G6	1,00			--
0006	VTVT88715		SCREW PAT TCB 4,5X20 ZN BLACK	1,00			--
0007	MECI72195		ANTISPLASH SWITCH	1,00			--
0008	MECB28672		ELECTRIC CORD 2X1 MT.8,5	1,00			--
0009	MEVR28673		FAIRLEAD	1,00			--
0010	MPVR28690		CABLE CLAMP	1,00			--
0011	VTVT71961		SCREW PFU TMT PHL 5X20 ZN NERA	1,00			--
0012	MECB01161		TERMINAL BOARD 300-500 2P RAD	1,00			--
0013	FTDP38064		FILTER MTP/65 H=15 D.95	1,00			--
0014	VTVT71971		SCREW PAT TMT PHL 5X35 BLACK	6,00			--
0015	MPVR09099		COVERING 99 S/HOLES LOBSTER	1,00			--
0016	MPVR38371		WASHER H8 D85X65	1,00			--
0017	MPVR86282		RING MOTORE H=7 (15) PLAST.	1,00			--
0018	FTDP38066		FILTER PHONO H=75	1,00			--
0019	VTVT71971		SCREW PAT TMT PHL 5X35 BLACK	6,00			--
0020	VTVT01272		SCREW TC CROSS M 5X45 UNI 7687	1,00			--
0021	VTVT71961		SCREW PFU TMT PHL 5X20 ZN NERA	4,00			--
0022	MPVR08415		MOTOR SUPPORT 500 GREY 6000	1,00			--
0023	GUGO28683		"L" GASKET W/O HOLES H=5,5	1,00			--
0024	MOMO28716		MOT.BD302 1000W 220-240V 50-60HZ	1,00			--
0025	GUGO28683		"L" GASKET W/O HOLES H=5,5	1,00			--
0026	FTDP38067		WASHER MTP 65MM 18D 230X145	1,00			--
0027	PMBA00483		BASE 500 W/GASK.E PL. GR6000	1,00			--



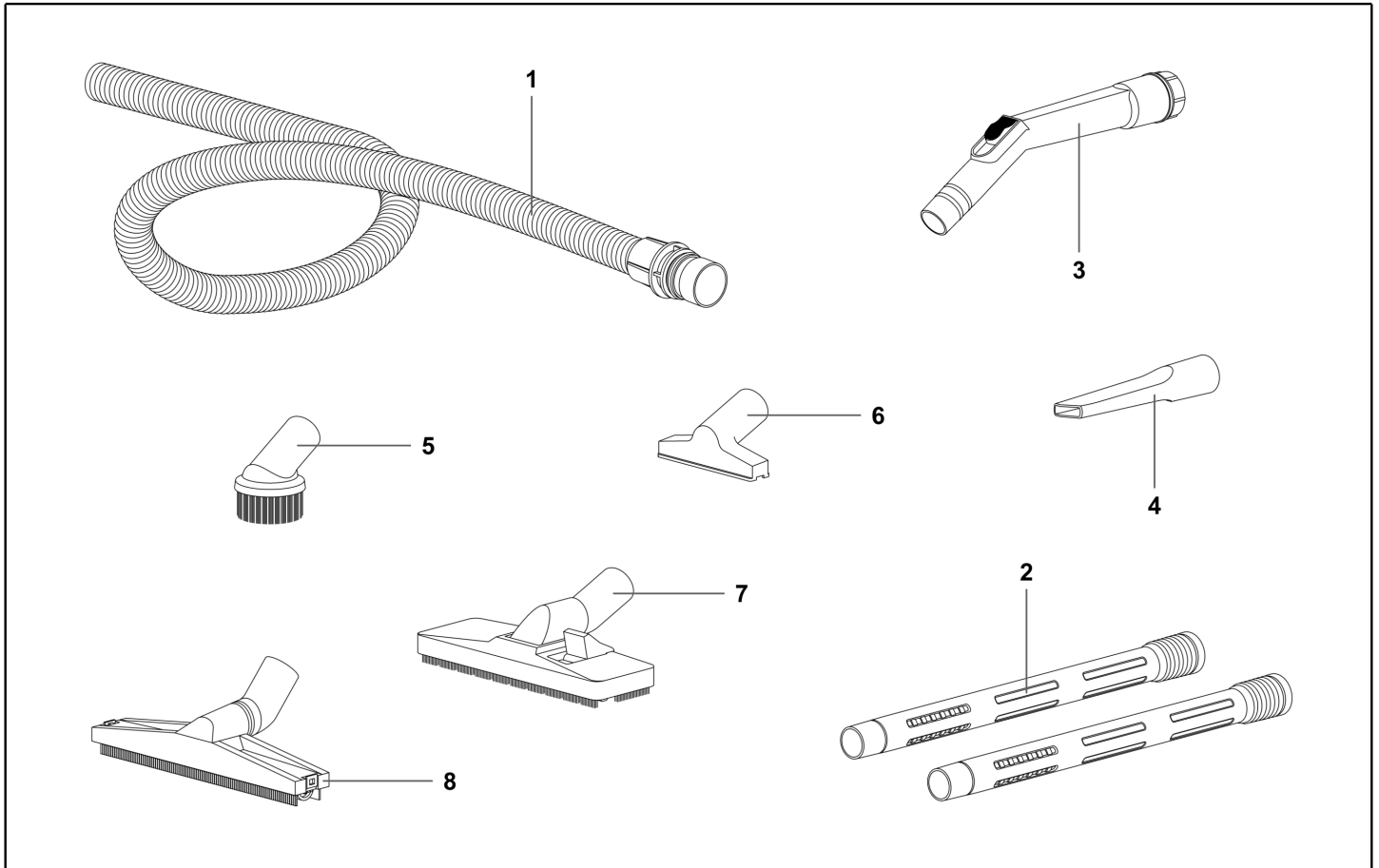
Ref. K	Part n.	Part n. 2	Description	Quantity	Validity		Price
					From	To	
A	KTRI02943		KIT RING+FILT+BASK. 500 C	1,00			--
0001	MPVR36522		FILTER RING 500	1,00			--
0002	FTDP00534		FILTER POLY AN3-500 CON REG H230	1,00			--
0003	MPVR37038		CONICAL BASKET 300	1,00			--
0004	MPVR40521		NET ANTIFOAM BODY HIGH	1,00			--
0005	RCGR40008		HIGH FLOAT 99 W/GASKET 37 SHA	1,00			--
0006	MPVR35796		BUSHING PLASTIC SLEEVE D.8	4,00			--
0007	VTVT36751		SCREW SCREW PAT TMT PHL 5X25	4,00			--



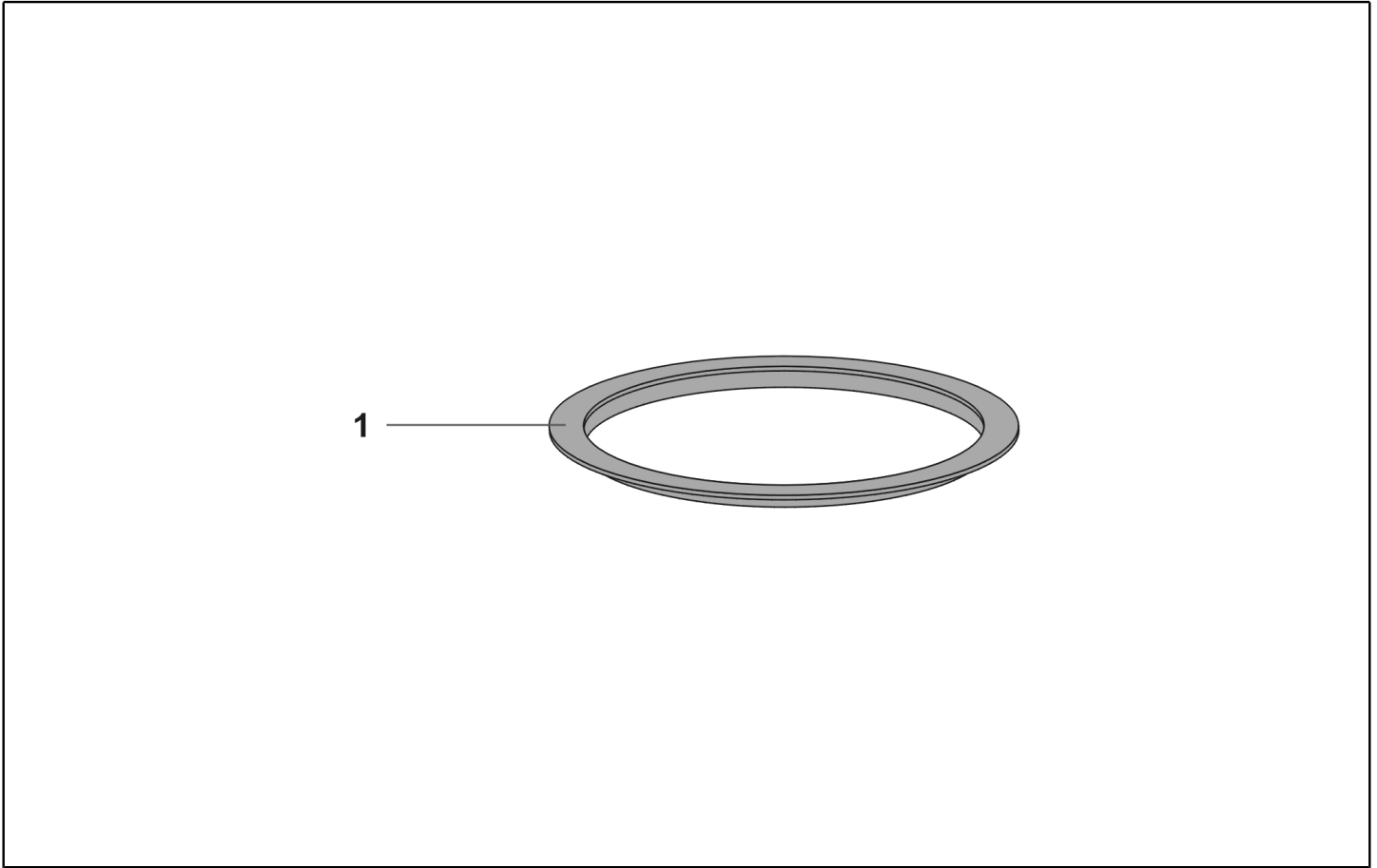
Ref. K	Part n.	Part n. 2	Description	Quantity	Validity		Price
					From	To	
0001	LAFN72150		TANK 215 AISI 430	1,00			--
0002	VTVR71991		RIVET 5X11	4,00			--
0003	PMVR02871		PLASTIC HOOK COMPL. GR6000	2,00		26/01/2021	--
0003	CHVR28735		COMPLETE PLASTIC HOOK BLACK	2,00	27/01/2021		--
0004	VTVT71966		SCREW PAT TMT PHL 5X30 BLACK	4,00			--
0005	GUGO28701		GASKET D.38	1,00			--
0006	MPVR08681		GASKET R 205 GREY 6000	1,00			--
0007	MPVR09004		PIPE UNION R155 G6000 W/BUT.OR	1,00			--
0008	MPVR28696		DEFLECTOR 99	1,00			--



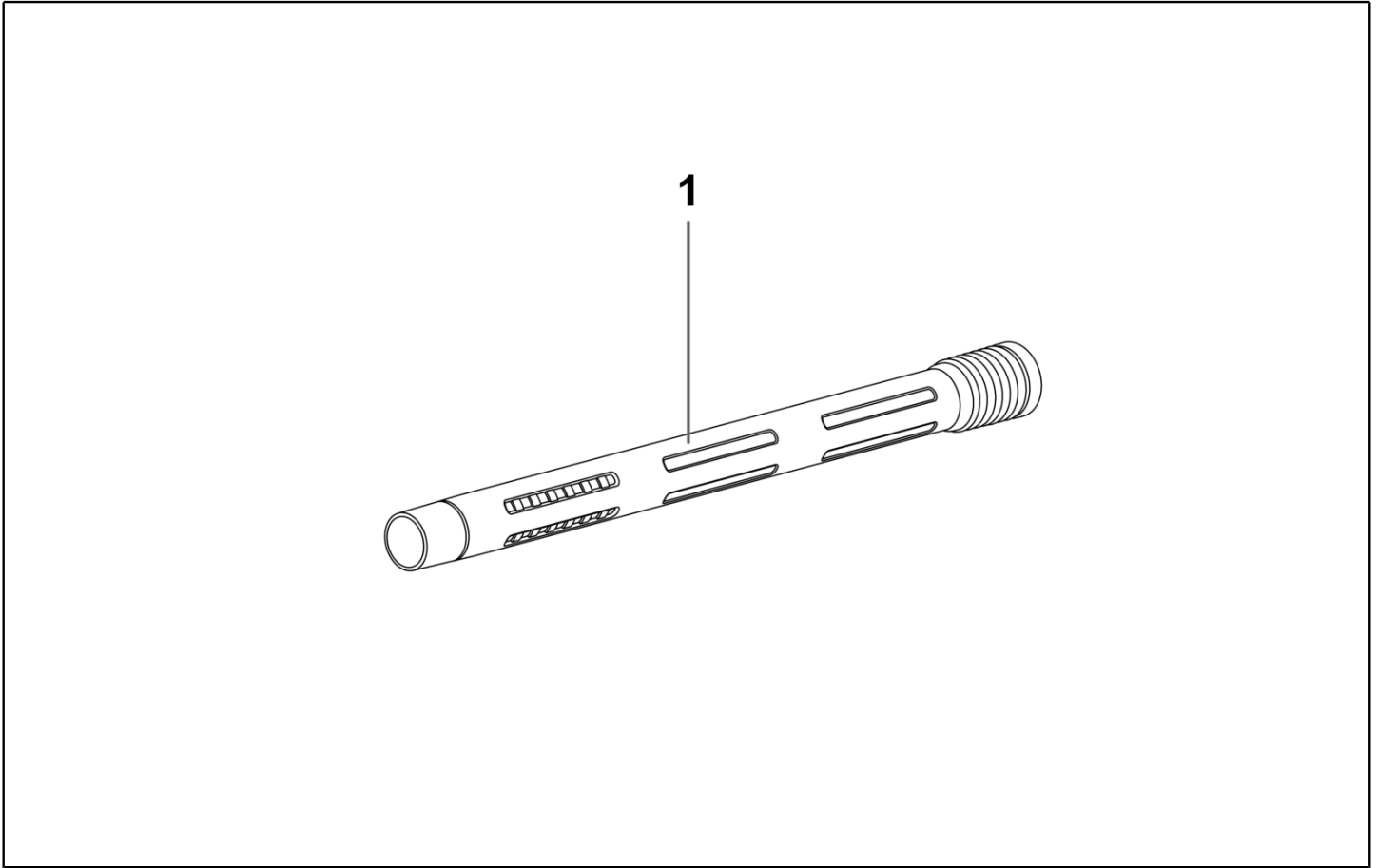
Ref. K	Part n.	Part n. 2	Description	Quantity	Validity		Price
					From	To	
0001	MPVR07923		TROLLEY BODY SQUARED BODY TROLLEY GREY	1,00			--
0002	RTRT42006		TROLLEY BOX WHEEL	4,00			--



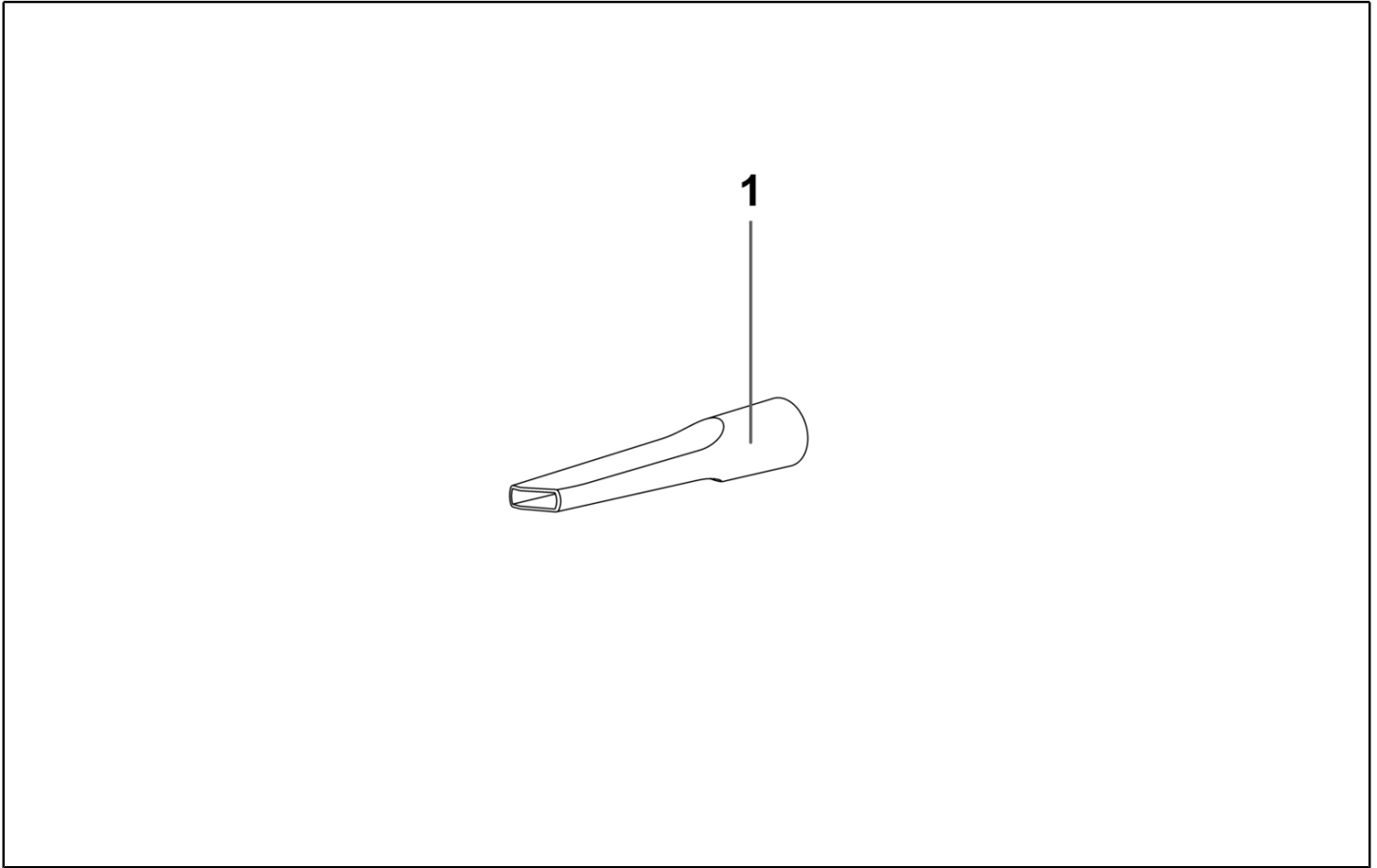
Ref. K	Part n.	Part n. 2	Description	Quantity	Validity		Price
					From	To	
0001	TBFX85412		COMPLETE FLEX HOSE 32 MT.2	1,00			--
0002	LAFN28238		AL-PLAST.TUBE D.36 MT.0,50	2,00			--
0003	LAFN85073		PLASTIC WAND WITH AIR REGULATION	1,00			--
0004	SPPV28242		FLAT LANCE D.36	1,00			--
0005	SPPV28243		ROUND TOOL	1,00			--
0006	MPVR00141		SMALL TOOL D.36	1,00			--
0007	SPPV28244		ASPIRAMATIC TOOL	1,00			--
0008	SPPV28245		WET BRUSH 300 D.36	1,00			--



Ref. K	Part n.	Part n. 2	Description	Quantity	Validity		Price
					From	To	
0001	MPVR36522		FILTER RING 500	1,00			--
0001	MPVR36522		FILTER RING 500	1,00			--



Ref. K	Part n.	Part n. 2	Description	Quantity	Validity		Price
					From	To	
0001	LAFN28238		AL-PLAST.TUBE D.36 MT.0,50	1,00			--
0001	LAFN28238		AL-PLAST.TUBE D.36 MT.0,50	1,00			--



Ref. K	Part n.	Part n. 2	Description	Quantity	Validity		Price
					From	To	
0001	SPPV28242		FLAT LANCE D.36	1,00			--
0001	SPPV28242		FLAT LANCE D.36	1,00			--



Ref. K	Part n.	Part n. 2	Description	Quantity	Validity		Price
					From	To	
0001	VTVT36751		SCREW SCREW PAT TMT PHL 5X25	1,00			--
0001	VTVT36751		SCREW SCREW PAT TMT PHL 5X25	1,00			--



Ref. K	Part n.	Part n. 2	Description	Quantity	Validity		Price
					From	To	
0001	MPVR28696		DEFLECTOR 99	1,00			--
0001	MPVR28696		DEFLECTOR 99	1,00			--