

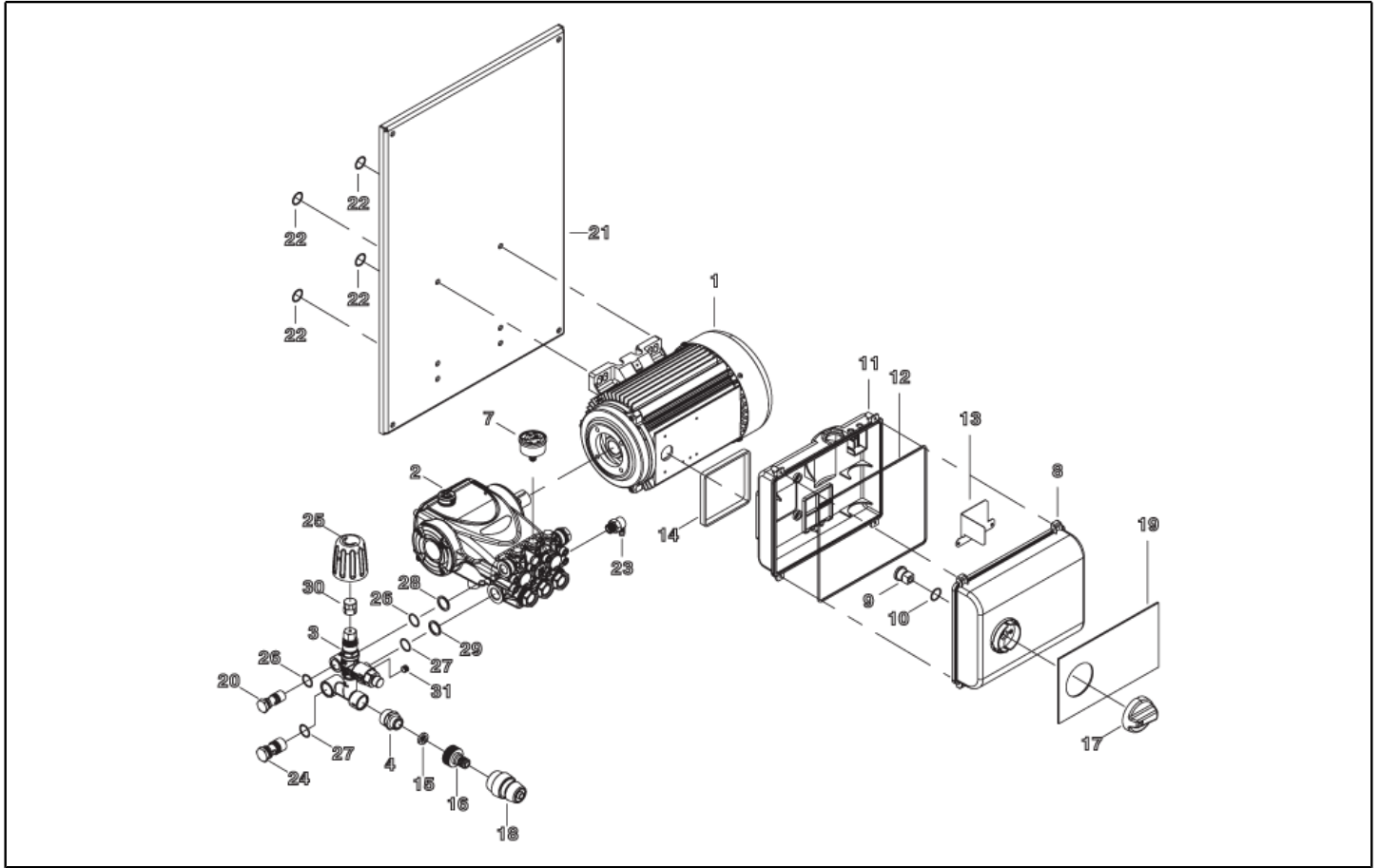


IPC

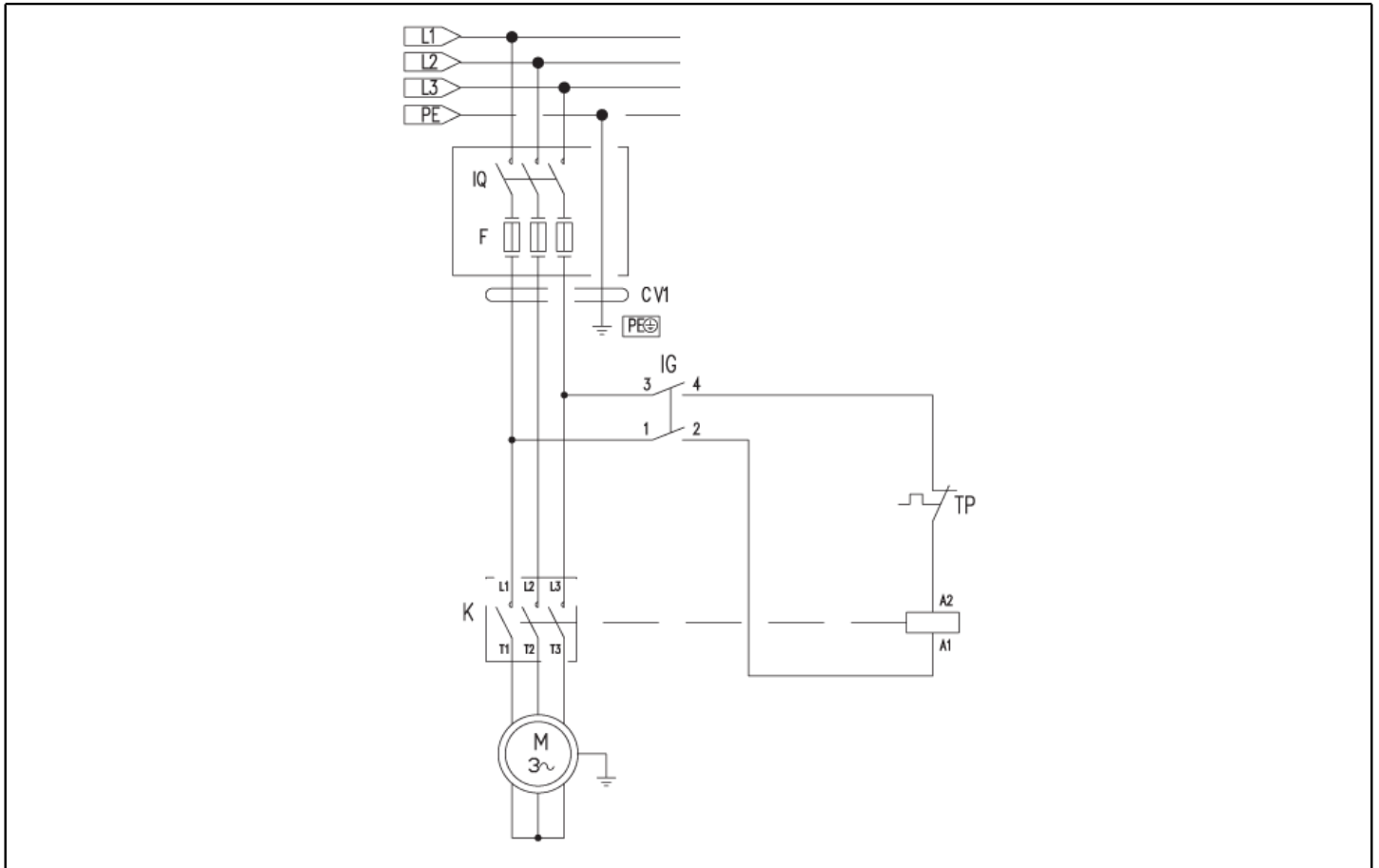
Spare parts list

Ref: PPEL40086

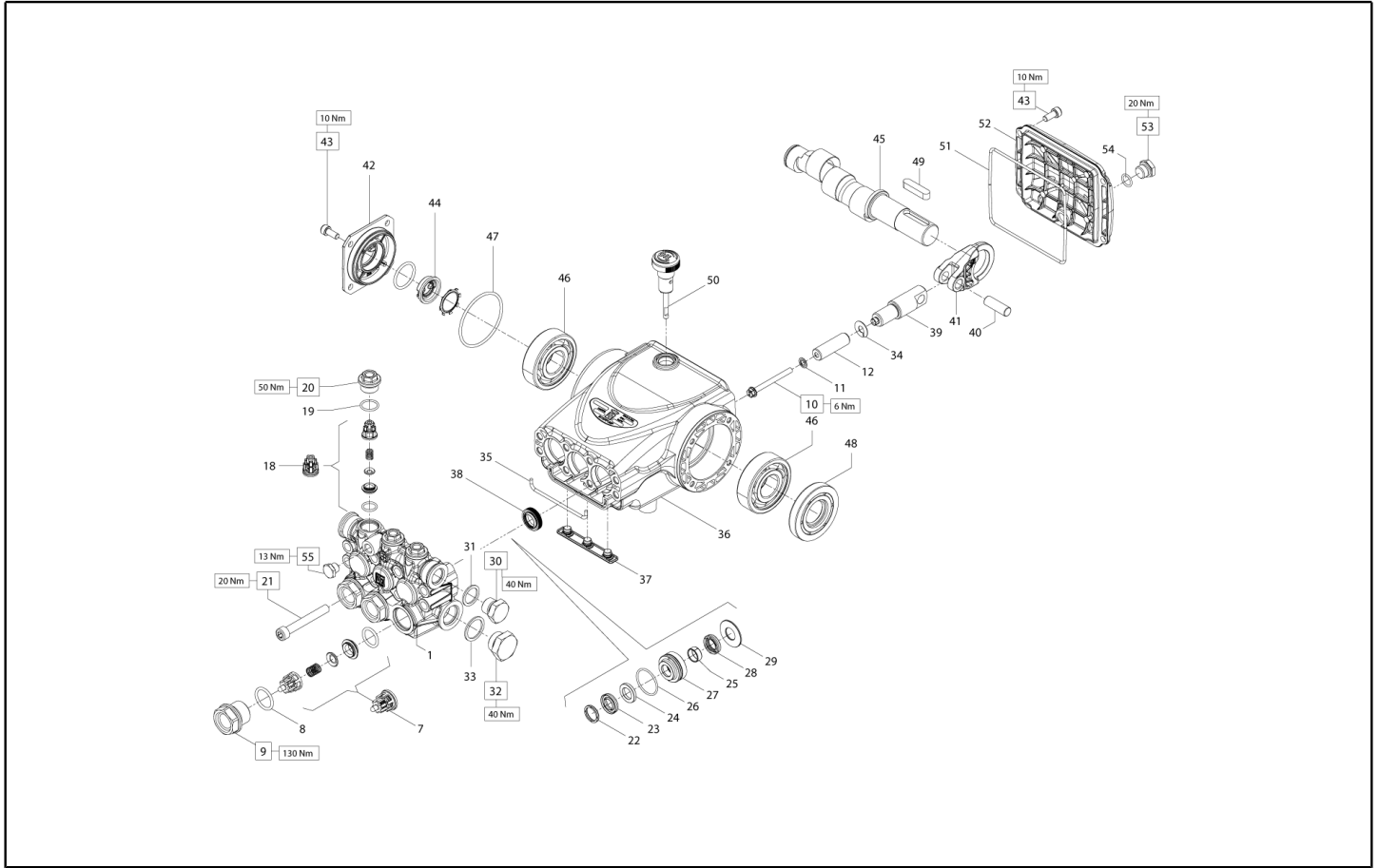
Model: H.P. CLEANER MLC-C 1915Pi T400/50 IRS



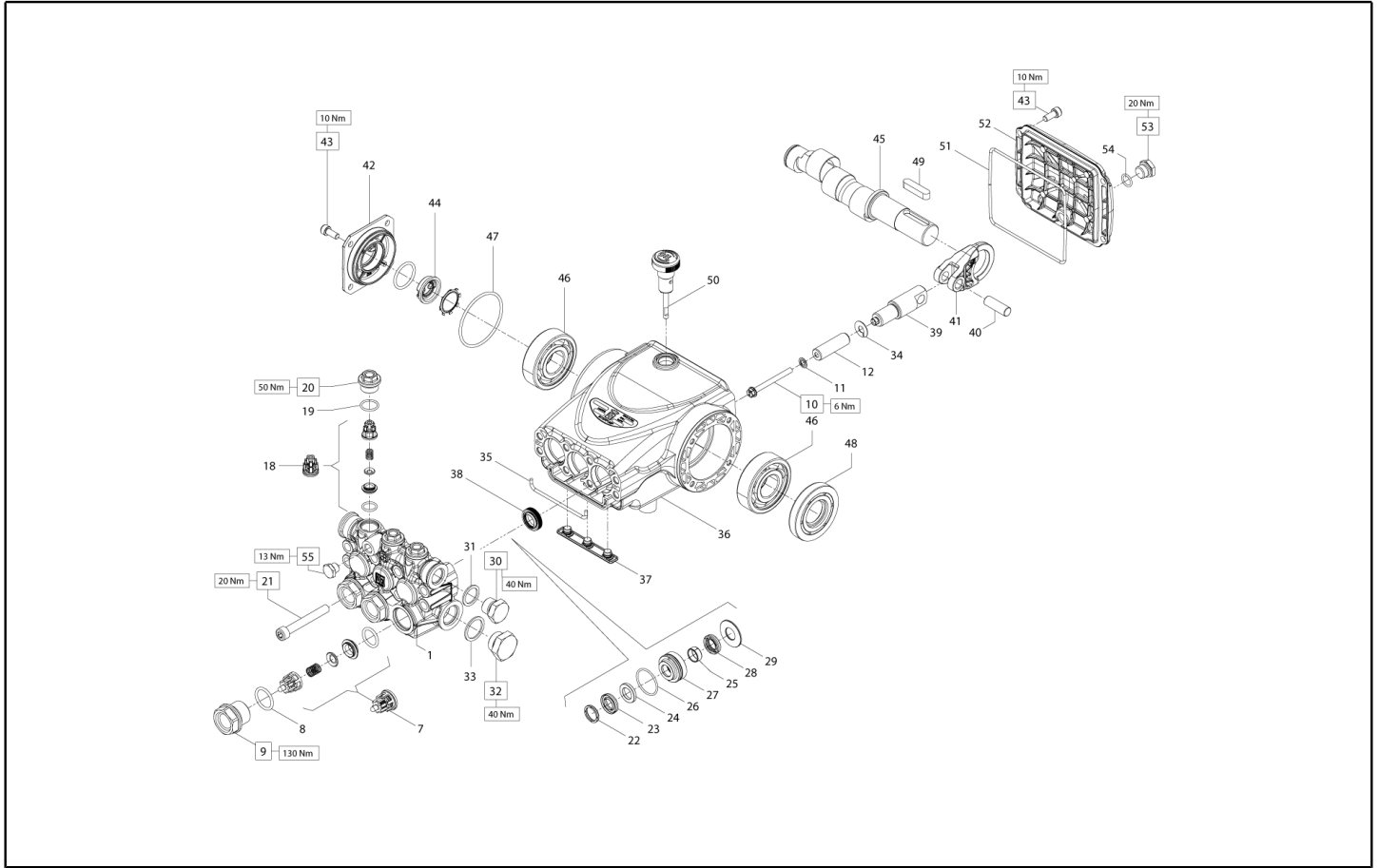
Ref. K	Part n.	Part n. 2	Description	Quantity	Validity		Price
					From	To	
0001	MOTR40029		3PH MOTOR C40/AC HP 6.0 2/4-50 4P	1,00	10/07/2017		--
0001	MOTR40034		3PH MOTOR C40/AC HP 6.0 2/4-50 4P R	1,00		09/07/2017	--
0002	PPAP40127		PUMP "E2" B 2014 DX OT.	1,00			--
0003	VVAZ40083		VALVE VRF-2 EVO PPr.S/IN.M22	1,00			--
0004	RCDS87610		NIPPLE 3/4 - 1/2 CB D.13.0	1,00			--
0007	MNMN93800		PRESSURE GAUGE 1/8 POST. 0-300 D.40 S/S/T	1,00			--
0008	MPVR40335		BOX COVER PW-C40 ABS BK.	1,00			--
0009	MPVR23482		SWITCH TANG TEC. TUV	1,00			--
0010	GUGO25527		O-RING D. 14 X 3 NBR 70SH	1,00			--
0011	MPVR40334		CONTROL BOX PW-C4/50 ABS BK.	1,00			--
0012	GUGO33675		JOINT MOUSSE D. 4	0,90			--
0013	LAFN40458		SUPPORT PW-C40 INX	1,00		30/06/2016	--
0013	LAFN40830		SUPPORT PW-C85 INX	1,00	01/07/2016		--
0014	GUGO10881		GASKET M.EL. 73X73	1,00			--
0015	FTDT12702		FILTER PA	1,00			--
0016	RCVR29600		SOCKET PTC 3/4 F	1,00			--
0017	MPVR49057		BLACK KNOB P176-M.RACE PA6	1,00			--
0018	RCVR29602		CONNECTOR D. 1/2"-5/8" PTC	1,00			--
0019	ETET40714		LABEL GR. MPU-C IPC	1,00			--
0020	RCDS40172		SCREW 3/8 VRF-2 OT 4F.	1,00			--
0021	LAFN40673		SUPPORT BRACKET MPU-C AL.	1,00			--
0022	MPVR37393		RUBBER D. 10-30 L=13 70SH PRM	4,00			--
0023	VVSC40021		VALVE 1/2" ML610 56° 10b.	1,00	15/05/2018		--
0023	VVSC40550		VALVE 1/2" 56°C	1,00		14/05/2018	--
0024	RCDS40171		SCREW G 1/2 VRF-2 OT. 2F.	1,00			--
0025	MPVR40589		BLACK KNOB ST 260 IPC	1,00			--
0026	GUGO03510		O-RING D. 12.37 X 2.62 NBR 70SH	2,00			--
0027	GUGO01048		O-RING D. 15.88 X 2.62 NBR 70SH	2,00			--
0028	VTRS00548		WASHER D.17,5X23X1,5 (3/8)RM	1,00			--
0029	VTRS00549		WASHER D.21,5X27X1,5 (1/2) RM	1,00			--
0030	PVVR40273		ADAPTER VRF-2 RG.	1,00			--
9999	UGLN49987		NOZZLE LECH 1/4 15045	1,00			--



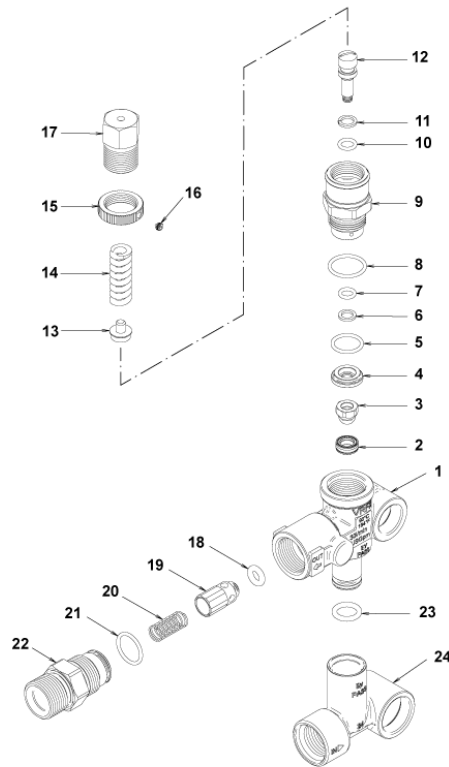
Ref. K	Part n.	Part n. 2	Description	Quantity	Validity		Price
					From	To	
K	METT40013		CONTACTOR SIE 3RT 2017-1AV01 400V	1,00	15/10/2014		--
K	METT40664		CONTACTOR SIE 3RT 1017 1AV01 400V	1,00		14/10/2014	--
IG	MECI40020		SWITCH BRM BP. 0-1 12A	1,00	20/10/2014		--
IG	MECI40022		SWITCH BRM BP. 0-1 20A	1,00		19/10/2014	--
CV1	MECB40002		CABLE H07 RNF 4X1.5 L=6.500	1,00			--



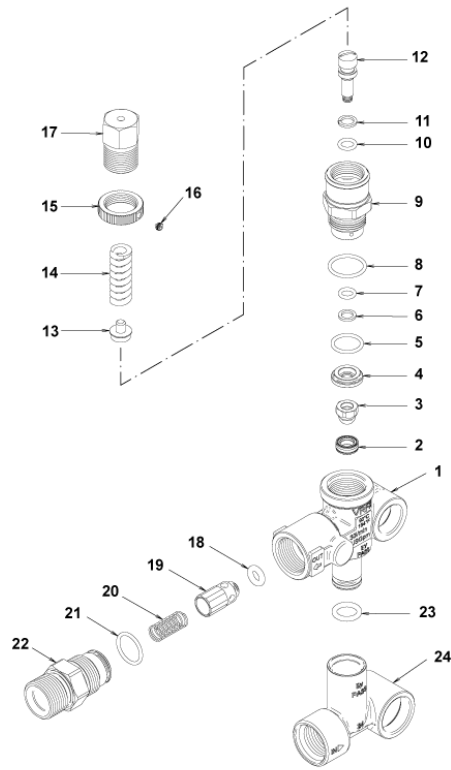
Ref. K	Part n.	Part n. 2	Description	Quantity	Validity		Price
					From	To	
0001	MFVR40070		HEAD "58" E2.D.18 OT	1,00			--
0007	S	VVAM28467	VALVE UNIT "44" WW136-186	3,00			--
0008	S	GUGO01033	O-RING D. 20.24 X 2.62 NBR 90SH	3,00			--
0009	S	RCDS28466	CAP M24X1.5X17 "44"	3,00			--
0010		VTVT00679	SCREW TE M 5X 55 UNI 5737 ZC	3,00			--
0011		VTRS40037	WASHER D. 5.0X11.5X0.4	3,00			--
0012		PIVR40017	PISTON D.18X42 "58"	3,00			--
0018	S	VVAM40009	VALVE UNIT "58" E2-MD.	3,00			--
0019	S	GUGO03505	O-RING D. 15.6 X 1.78 NBR 70SH	3,00			--
0020	S	PVVR40492	CAP M18X1.5X10 EVO.OT	3,00			--
0021		VTVT01121	SCREW TCEI 8X60 UNI5931	8,00			--
0022	S	PVVR40496	HEAD RING D. 18 "58"	3,00			--
0023	S	GUVR40103	PACKING D. 18 HP "58E2"	3,00			--
0024	S	GUVR40104	ANTI-EXTR.RING D.18 X28 X2	3,00			--
0025	S	PVVR40497	PACKING RETAIN. D. 18 "58E2"	3,00			--
0026	S	GUGO18855	O-RING D. 26.70 X 1.78 NBR 70SH	3,00			--
0028	S	GUVR46029	PACKING D. 18 L.P. "63"	3,00			--
0029	S	PVVR40498	RING D.18 "58"	3,00			--
0030	S	RCDS01090	CAP 3/8X13 M WW90	1,00			--
0031		VTRS01074	WASHER D.17,05X22,3 X1,5	1,00			--
0032		RCDS01091	CAP 1/2X10 M	1,00			--
0033		VTRS00549	WASHER D.21,5X27X1.5 (1/2) RM	1,00			--
0034		VTRS40038	WASHER D. 7.5X23 X0.5	3,00			--
0035		GUVR40105	GASKET D. 3X 94	1,00			--
0036		MFVR40071	PUMP CRANKCASE "58" E2	1,00			--
0037		PVVR40499	PROTECTION INF. "58"	1,00			--
0038	S	GUGO40076	OIL SEAL 15X 24X 5/7 NBR70	3,00			--
0039		PVVR40500	PISTON GUIDE "58" EVO.2	3,00			--
0040		PVVR28458	GUDGEON D.10X29.5 "44"	3,00			--
0041		BLVR40008	CONNECTING ROD "58" EVO.2	3,00			--
0042		MFVR40072	CRANKCASE COVER "58" LT. EVO.2	2,00			--
0043		VTVT01114	SCREW TCEI 6X14 UNI 5931	12,00			--
0044		MFVR28454	SPACER "44"	1,00			--
0045		ALMO40040	SHAFT "58" N C.13 D.24	1,00			--
0046		CUVR09654	BALL BEARING 6305	2,00			--
0047		GUGO01040	O-RING D. 55.56 X 3.53 NBR 70SH	1,00			--
0048		GUGO28465	OIL SEAL 25X 62X10 NBR70	1,00			--
0049		VTVR09510	KEY 8X7X35	1,00			--
0050		PVVR40501	OIL DIPSTICK G 3/8" X51	1,00			--
0051		GUGO40077	O-RING D. 113.97 X 2.62 NBR 70SH	1,00			--
0052		MFVR40073	CRANKCASE COVER "58" EVO.2	1,00			--
0053		PVVR40502	CAP 1/4X 9 M TE17 ZC	1,00			--
0054		GUGO01036	O-RING D. 10.82 X 1.78 NBR 70SH	1,00			--
0055		RCDS09704	CAP G 1/8 KR	1,00			--



Ref. Part n.	Part n. 2	Description	Reference	Price
KTRI40404		KIT P 15-269 EVO.2	0007 0018	--
KTRI40405		KIT P 15-270 EVO.2	0008 0009 0019 0020	--
KTRI40406		KIT P 15-271 EVO.2	0038	--
KTRI40407		KIT P 15-274 D.18 EVO.2	0022 0023 0024 0026 0028	--
KTRI40408		KIT P 15-277 D.18 EVO.2	0022 0023 0024 0025 0026 0028 0029	--



Ref. K	Part n.	Part n. 2	Description	Quantity	Validity		Price
					From	To	
0001	PVVR40375		VALVE BODY VRF2 +G1/8 F	1,00			--
0002	S PVVR40363		VALVE SEAT MV124 +OR	1,00			--
0003	S PVVR40364		COUPLING MV124	1,00			--
0004	S PVVR40365		SPACER MV124	1,00			--
0005	S GUGO12322		O-RING D. 14 X 1.78 NBR 90SH	1,00			--
0006	S GUVR40072		ANTI-EXTR.RING D. 6.5X 9.4	1,00			--
0007	S GUGO83861		O-RING D. 6.07 X 1.78 NBR 90SH	1,00			--
0008	S GUGO24913		O-RING D. 17.17 X 1.78 NBR 90SH	1,00			--
0009	S PVVR40366		CONNECTOR VRF2 D.10	1,00			--
0010	S GUGO03500		O-RING D. 6.75 X 1.78 NBR 70SH	1,00			--
0011	S GUVR40073		ANTI-EXTR.RING D. 7.1X10 X1.2 TBT	1,00			--
0012	S PVVR40367		SMALL PISTON D.10 VRF2	1,00			--
0013	PVVR40368		SPRING PLATE MV124 25B	1,00			--
0014	MLML40027		SPRING D. 3.0/6.0 X38.85	1,00			--
0015	PVVR40369		RING NUT MV167.09	1,00			--
0016	VTVT89696		SCREW EI-ST 4X 4 UNI5927 ZC	1,00			--
0017	PVVR40370		CAP VRF2 M18X1	1,00			--
0018	S GUGO46053		O-RING D. 6 X 3 NBR 90SH	1,00			--
0019	S PVVR40349		COUPLING VRT3	1,00			--
0020	S MLML40026		SPRING VRT3	1,00			--
0021	S GUGO12321		O-RING D. 15.6 X 1.78 NBR 90SH	1,00			--
0022	PVVR40374		CONNECTOR VRT3 M22 M	1,00			--
0023	GUGO11225		O-RING D. 10.78 X 2.62 NBR 70SH	1,00			--
0024	PVVR40503		CONNECTOR VRF2.19 EVO.	1,00			--



Ref. Part n.	Part n. 2	Description	Reference	Price
KTRI40236		KIT P 14-103 VRF2	0002 0003 0004 0005 0006 0007 0008 0009 0010 0011 0012 0018 0019 0020 0021	--
KTRI40237		KIT P 14-104 SEAL VRF2	0002 0003 0005 0006 0007 0008 0010 0011 0018 0021	--