

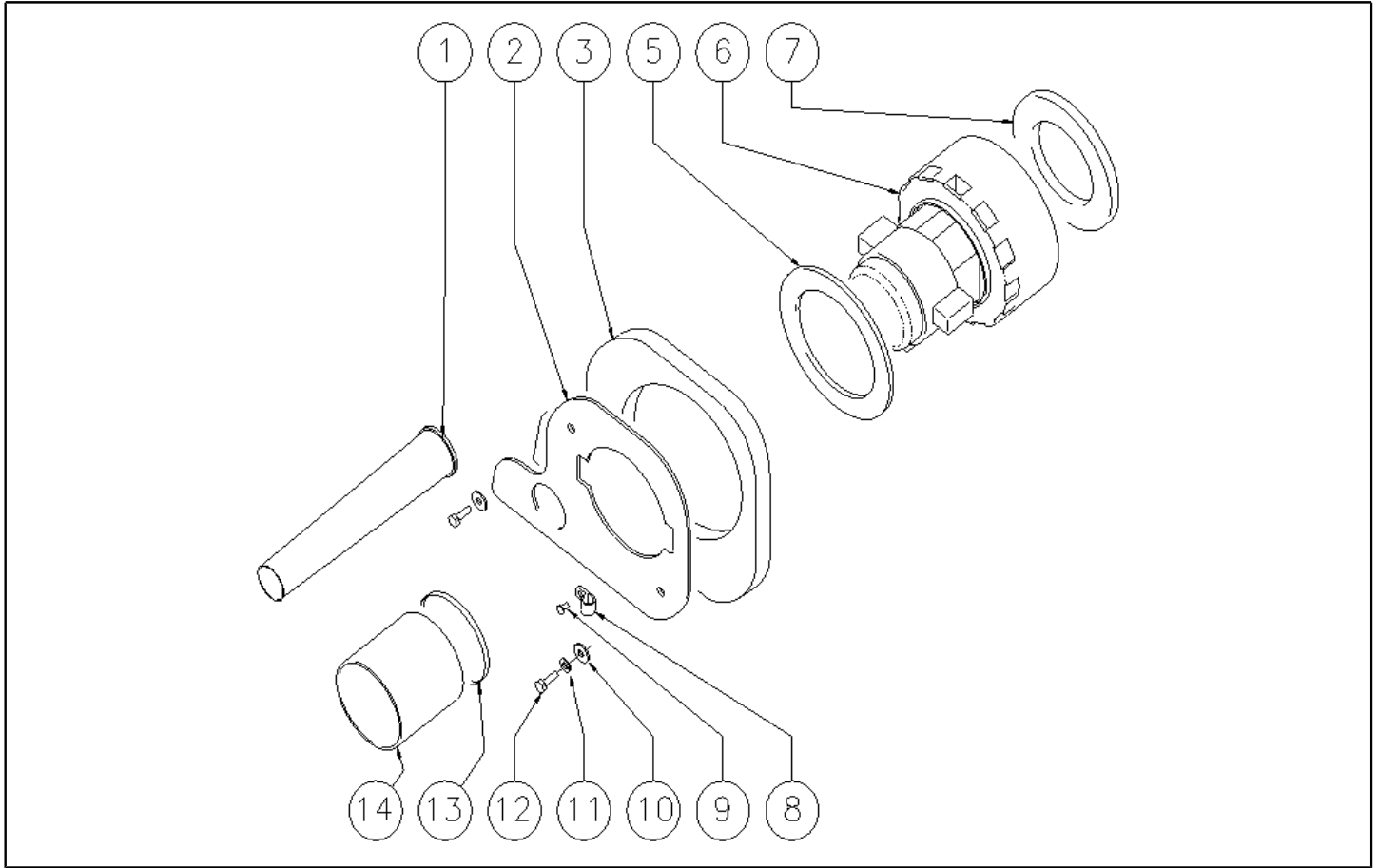


## **Spare Parts List**

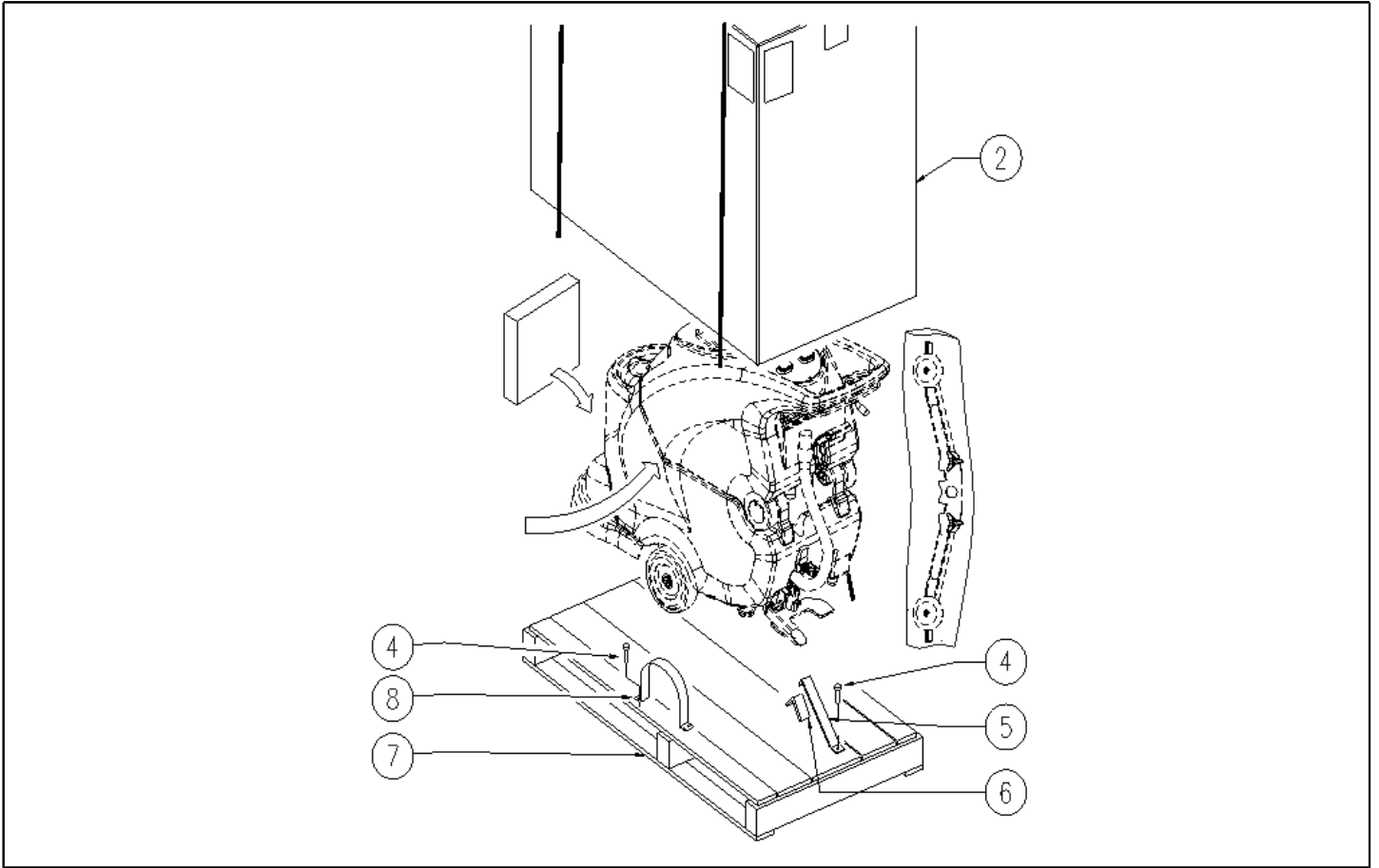
IP Cleaning Srl - Gansow

Ref: LPTB02946

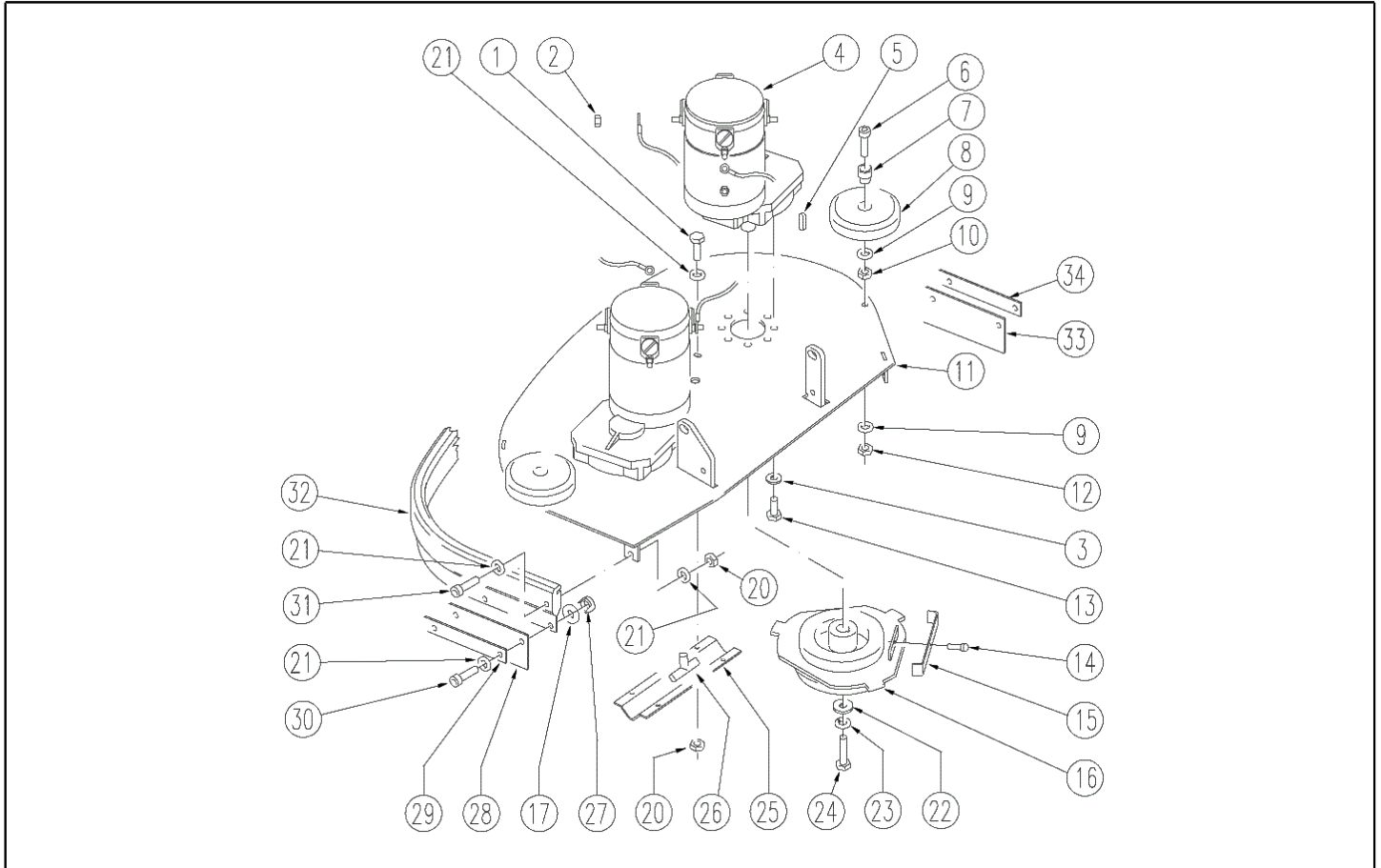
Model: FLOOR WASHER LAV. 70BT70 CB+BT PRT



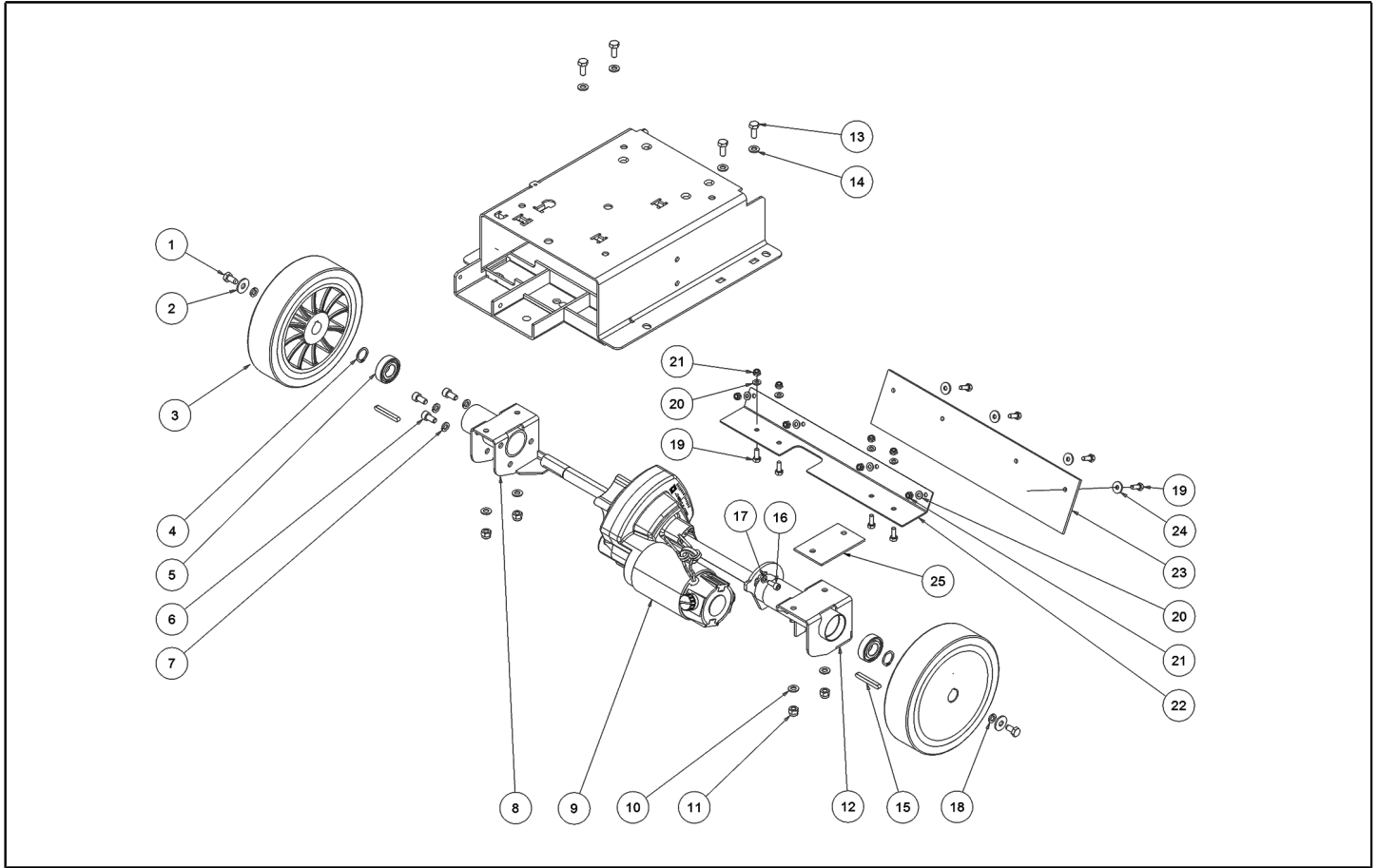
Ref. K	Part N.	Part N. 2	Description	Quantity	Validity		Price
					From	To	
0001	TBFX00244	110147	TUBE D 34 L200MM	1,00		14/06/2007	--
0001	MPVR05259	N/A	TUBE SCARICO	1,00	15/06/2007		--
0002	LAFN06363	110146	FLANGE ASPIRATORE	1,00			--
0003	MPVR05103	110145	SOUND-PROOFING ASPIRATORE	1,00			--
0005	MPVR04724	110149	FLANGE IN NYLON	1,00			--
0006	MOCC00253	500013	MOTOR ASPIR.BIST.24V	1,00		04/11/2008	--
0006	MOCC00349	N/A	MOTOR VACUUM 2 STAGES 24V	1,00	05/11/2008		--
0006	MEVR05200	N/A	CARBON BRUSH VACUUM 116599-XX	2,00			--
0007	GUGO00272	110160	GASKET VACUUM MOTOR CT	1,00			--
0008	FSVR00099	760092	CLAMP FERMATUBO	1,00			--
0009	VTVT00813	100384	SCREW M 4X 8 TCB-TC UNI 8112	1,00			--
0010	VTRS13945	458215	WASHER D. 6X18 INX UNI 6593	2,00			--
0011	VTRS15144	458181	WASHER D. 6 INX GRW UNI 1751	2,00			--
0012	VTVT15143	100117	SCREW TE 6X16 UNI5739	2,00			--
0013	FSVR00500	760265	CLAMP 80-100 INOX	1,00		30/04/2007	--
0013	FSVR00118	N/A	CLAMP D.94	1,00	01/05/2007		--
0014	TBFX00268	760266	SUCTION HOSE D80 L=80MM	1,00		30/04/2007	--
0014	TBFX00312	N/A	TUBE ASPIRAZIONE	1,00	01/05/2007		--



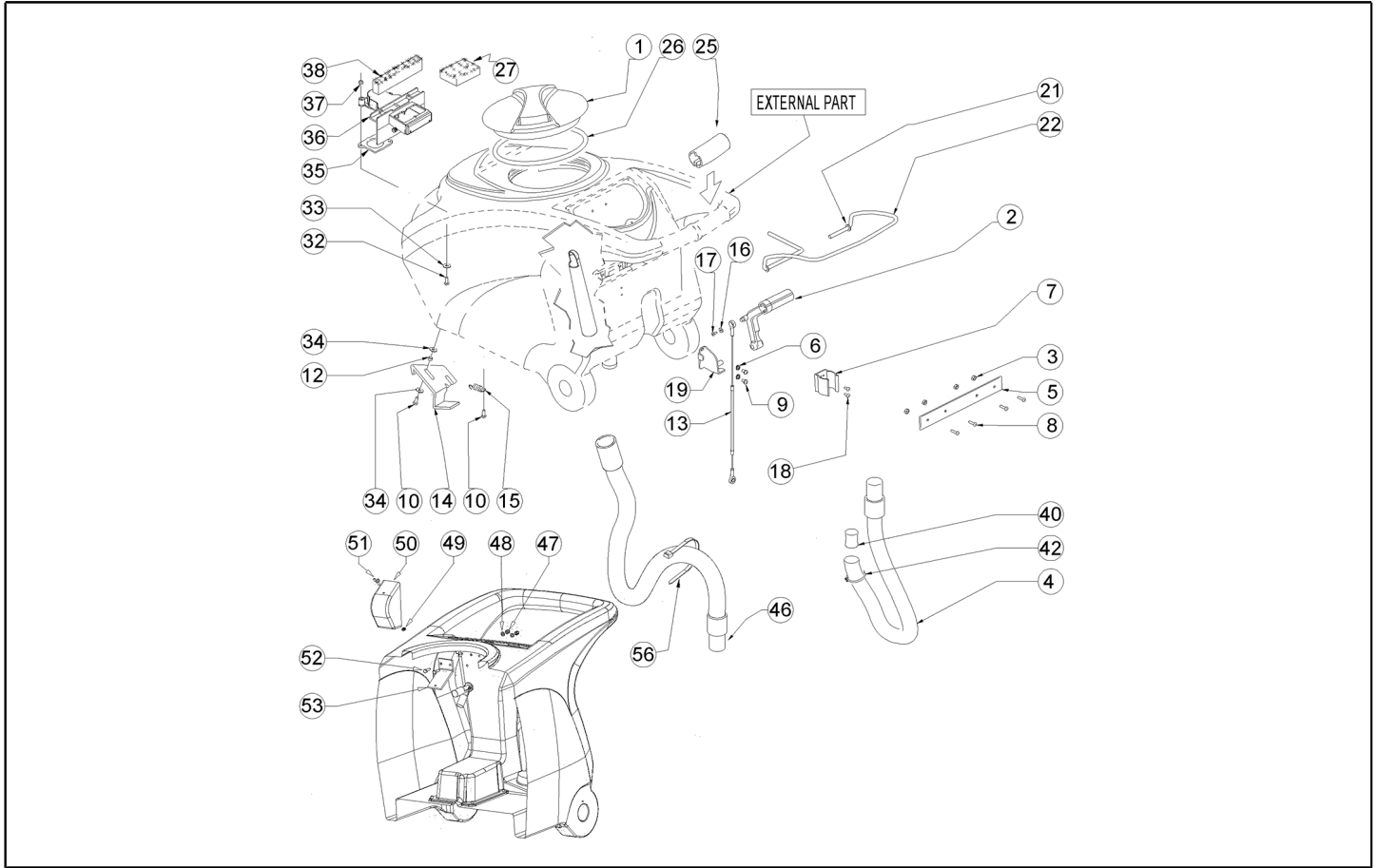
Ref. K	Part N.	Part N. 2	Description	Quantity	Validity		Price
					From	To	
0002	MICT00196	760268	BOX	1,00			--
0004	VTVT00043	760269	SCREW AUTOF.LEGNO 4,5X25 TS BR	9,00			--
0005	MIVR00137	760270	CLAMP RUOTA POSTERIORE X IMBAL.	1,00			--
0006	GUGO00009	N/A	MOUSSE	0,05			--
0007	MIBA00054	N/A	PALLET Scrubber 40/62B/BF/A	1,00			--
0008	MIVR00135	760272	CLAMP RUOTA POSTERIORE X IMBAL.	2,00			--



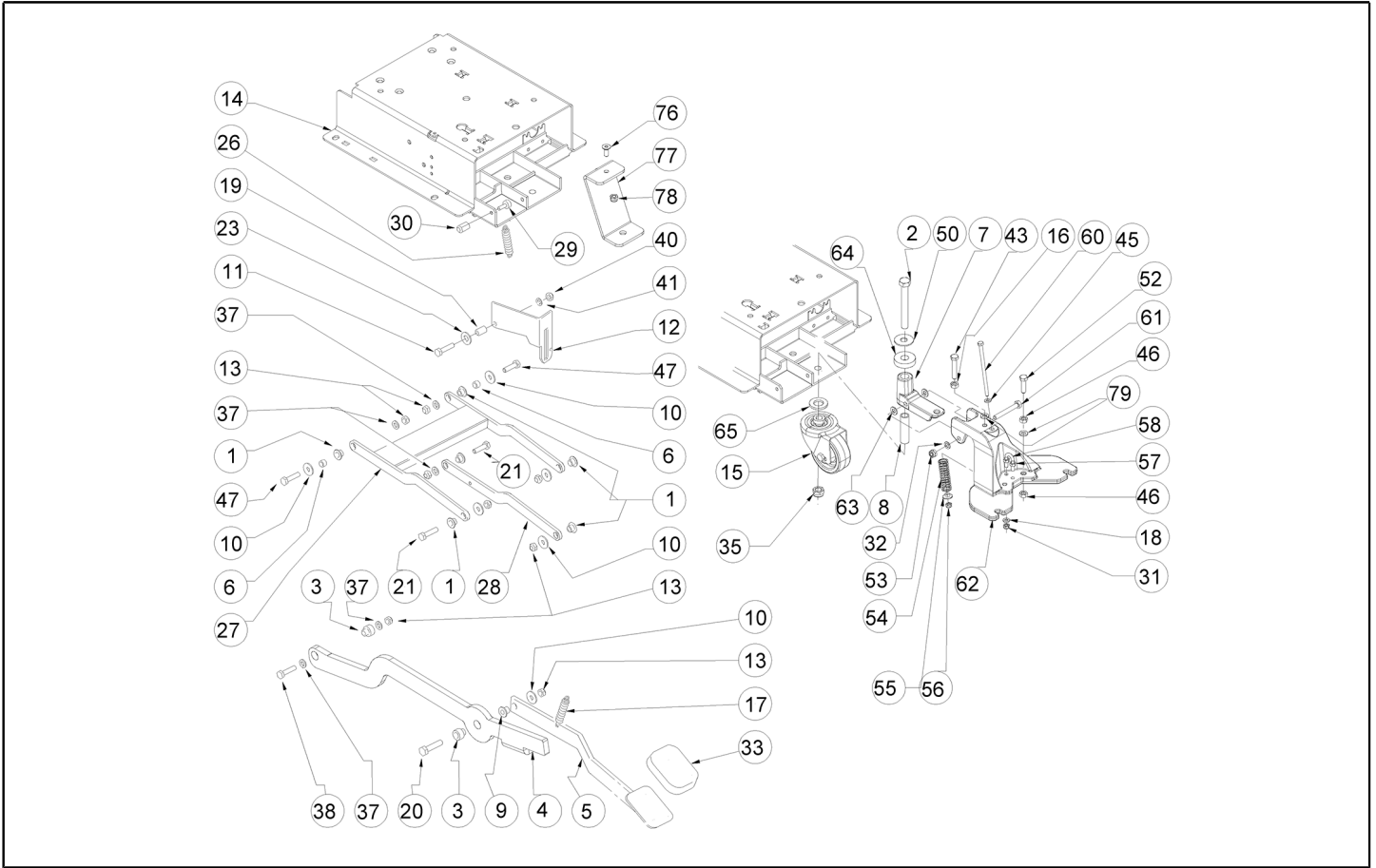
Ref. K	Part N.	Part N. 2	Description	Quantity	Validity		Price
					From	To	
0001	VTVT15143	100117	SCREW TE 6X16 UNI5739	4,00			--
0002	VTDD13942	458147	NUT M 6 UNI 5587 INX	4,00			--
0003	VTRS15144	458181	WASHER D. 6 INX GRW UNI 1751	18,00			--
0004	MOCC00315	760226	MOTOR MRP6 1/10 210G/ 24V W300	2,00		23/06/2008	--
0004	MOCC00328	N/A	MOTOR GEARBOX BRUSH 24V 380W	2,00	24/06/2008		--
0004	MOCC00344	N/A	CARBON BRUSH 00701535	4,00			--
0005	VTVR21944	458192	KEY 6X6X30	2,00			--
0006	VTVT00775	100158	SCREW TCEI M 8X40 ZC.BK UNI5931	2,00		16/06/2009	--
0006	VTVT06241	N/A	SCREW 8X40	2,00	17/06/2009		--
0007	LAFN03915	N/A	BUSHING NUOVO RUOTINO STRONG	2,00			--
0008	RTRT43370	458251	CASTER D.100 2V.	2,00		27/04/2008	--
0008	MPVR05290	N/A	ROLLER SIDE BUMPER WHEEL	2,00	28/04/2008		--
0009	VTRS13947	458180	WASHER D. 8 INX UNI 6592	4,00			--
0010	VTDD15521	100134	NUT M 8 INX A2 UNI 5588	2,00			--
0011	LAFN09088	770249	HEAD 70	1,00		28/07/2011	--
0011	LAFN06723	N/A	PLATE -	1,00	29/07/2011	18/03/2012	--
0011	LAFN07949	N/A	HEAD 70	1,00	19/03/2012		--
0012	VTDD01695	458145	NUT M 8 INX	2,00			--
0013	VTVT15906	100110	SCREW TE 6X 12 A2 UNI 5739	14,00			--
0014	VTVT21887	100169	SCREW TCB-TC 4X10 8112	2,00			--
0015	MLML00230	110204	SPRING ANTISGANCIO 70 X FLANGIA	2,00		05/09/2007	--
0015	MLML00231	100170	SPRING ANTISGANCIO 85 X FLANGIA	2,00	06/09/2007	18/06/2012	--
0015	MLML00328	N/A	SPRING RETAINING, BRUSH DRIVER	2,00	19/06/2012		--
0016	MFVR00212	N/A	DRIVE DISK ALUMINIUM	2,00			--
0017	MPVR35582	100418	RUBBER LAV.	8,00			--
0020	VTDD15518	100108	NUT M 6 INX	9,00			--
0021	VTRS13945	458215	WASHER D. 6x18 INX UNI 6593	22,00			--
0022	VTRS13946	100274	WASHER D. 8 X24 INX UNI 6593	2,00			--
0023	VTRS15146	458182	WASHER GROVER A2 UNI1751	2,00			--
0024	VTVT13938	N/A	SCREW TE 8X20 UNI5739 INX	2,00			--
0025	LAFN07236	770261	DISTRIBUTOR 70	1,00			--
0027	VTDD00175	100180	NUT M.6 TONDO FILET.4 PUNTE	8,00			--
0028	MPVR04746	760247	FLAP 355X63 sp.4	2,00		18/03/2012	--
0028	MPVR05534	N/A	FLAP	1,00	19/03/2012		--
0029	MPVR05207	760248	SHEET METAL PA. FLAP	2,00		18/03/2012	--
0029	MPVR05535	N/A	FLAP RETAINER	1,00	19/03/2012		--
0030	VTVT15143	100117	SCREW TE 6X16 UNI5739	8,00			--
0031	VTVT00392	458206	SCREW M6x35 UNI5739 inox	5,00			--
0032	MPVR05232	770267	BUMPER -	1,00		18/03/2012	--
0032	MPVR06224	N/A	BUMPER -	1,00	19/03/2012		--
0033	MPVR05270	N/A	FLAP DX	1,00	19/03/2012		--
0034	MPVR05269	N/A	FLAP RETAINER RH SIDE	1,00	19/03/2012		--



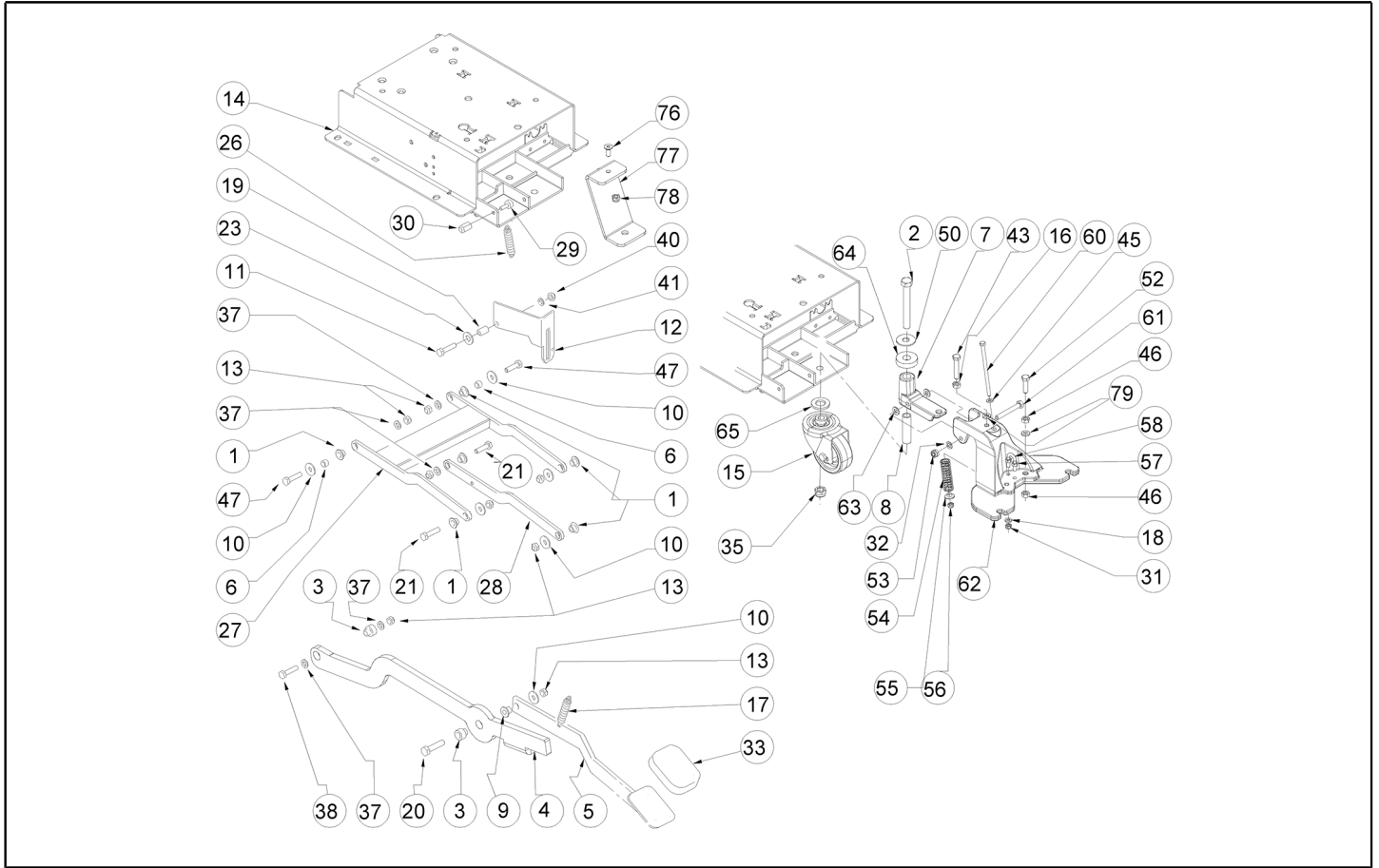
Ref. K	Part N.	Part N. 2	Description	Quantity	Validity		Price
					From	To	
0001	VTVT15916	110301	SCREW TE M 8X 16 UNI 5739 A2	2,00			--
0002	VTRS13946	100274	WASHER D. 8 X24 INX UNI 6593	2,00			--
0003	RTRT00524	N/A	WHEEL -	2,00		17/05/2010	--
0003	RTRT00529	N/A	WHEEL D200	2,00	18/05/2010	17/06/2012	--
0003	RTRT00546	N/A	WHEEL D.200	2,00	18/06/2012		--
0004	VTAE06193	125287	CIRCLIP D. 20 UNI 7435	2,00			--
0005	CUVR19846	125058	BALL BEARING 6004 2RS1	2,00		21/09/2011	--
0005	CUVR00083	N/A	BEARING 6004 2RS H SKF	2,00	22/09/2011	07/04/2013	--
0005	CUVR00190	N/A	BEARING 6004 2RS INOX	2,00	08/04/2013		--
0006	VTVT00876	N/A	SCREW TCEI M.8-16	3,00			--
0007	VTRS15146	458182	WASHER GROVER A2 UNI1751	3,00			--
0008	LAFN07811	N/A	SUPPORT TRACTION MOTOR LH SIDE	1,00			--
0009	MOCC00373	N/A	MOTOR -	1,00		13/10/2010	--
0009	MOCC00022	N/A	CARBON FOR MOCC86902-MOCC00395	2,00			--
0009	MOCC00395	N/A	MOTOR TRACTION 24V 200W 150G	1,00	14/10/2010		--
0010	VTRS13947	458180	WASHER D. 8 INX UNI 6592	4,00			--
0011	VTDD01695	458145	NUT M 8 INX	4,00			--
0012	LAFN07813	N/A	SUPPORT TRACTION MOTOR RH SIDE	1,00			--
0013	VTVT15916	110301	SCREW TE M 8X 16 UNI 5739 A2	4,00			--
0014	VTRS13947	458180	WASHER D. 8 INX UNI 6592	4,00			--
0015	VTVR33668	100120	KEY 6x 6x40 UNI 6604A	2,00		17/06/2012	--
0015	VTVR00566	N/A	KEY 6X10X40 UNI 6604 A (H.10)	2,00	18/06/2012		--
0016	VTVT00717	160149	SCREW TCEI M. 6-16	2,00			--
0017	VTRS15144	458181	WASHER D. 6 INX GRW UNI 1751	2,00			--
0018	VTRS15144	458181	WASHER D. 6 INX GRW UNI 1751	2,00			--
0019	VTVT15143	100117	SCREW TE 6X16 UNI5739	8,00	23/07/2012		--
0020	VTRS00245	100142	WASHER D.6 UNI 6592 INOX	8,00	23/07/2012		--
0021	VTDD01694	458144	NUT M6 INOX	8,00	23/07/2012		--
0022	LAFN07951	N/A	BRACKET CT40-90	1,00	23/07/2012		--
0023	MPVR06230	N/A	FLAP CT40 CT70-90	1,00	23/07/2012	17/03/2014	--
0023	MPVR06966	N/A	FLAP -	1,00	18/03/2014		--
0024	VTRS13945	458215	WASHER D. 6X18 INX UNI 6593	4,00	23/07/2012		--
0025	MPVR10764	N/A	PROTECTION .	1,00	13/06/2016		--



Ref. K	Part N.	Part N. 2	Description	Quantity	Validity		Price
					From	To	
0001	MPVR04051	100375	TANK CAP	1,00			--
0002	MPVR49942	500039	LEVER SQUEEGEE LIFTING PP	1,00			--
0003	VTDD15518	100108	NUT M 6 INX	4,00			--
0004	TBFX00358	N/A	TUBE PU CT40/70/90	1,00			--
0005	LAFN05865	760103	PLATE COPRILEVA CONSENSO	1,00			--
0006	VTRS13750	100062	WASHER D. 5X14 INX	2,00			--
0007	MPVR46988	500006	CLIP FIXATION DRAIN HOSE	1,00			--
0008	VTVT00651	N/A	SCREW TBEI M 5x16 ISO 7380 IX	4,00			--
0009	VTVT15906	100110	SCREW TE 6X 12 A2 UNI 5739	2,00			--
0010	VTVT15143	100117	SCREW TE 6X16 UNI5739	3,00			--
0012	LAFN03626	N/A	SPACER	2,00			--
0013	CMCV00464	N/A	CABLE SOLLEVAMENTO TERGI	1,00			--
0014	LAFN06849	760110	HANDLE CT 70	1,00			--
0015	MLML00203	N/A	SPRING	1,00			--
0016	VTRS00251	500041	WASHER 4-16 INOX A2	1,00			--
0017	VTVT00800	500040	SCREW TC 4X12 ZN	1,00			--
0018	VTVT21096	160119	SCREW TE M 4X 10 INX	2,00			--
0019	LAFN05870	500046	BRACKET SQUEEGEE LIFTING	1,00		06/09/2016	--
0019	LAFN11019	N/A	BRACKET -	1,00	07/09/2016		--
0021	VTRS13947	458180	WASHER D. 8 INX UNI 6592	2,00			--
0022	LAFN05861	760117	LEVER CONSENSO SPAZZOLE	1,00		12/06/2014	--
0022	LAFN09339	N/A	LEVER HANDLE ACTIVATION	1,00	13/06/2014		--
0025	MPVR05215	N/A	KNOB -	2,00			--
0026	GUGO00263	N/A	GASKET SEAL CAP REC. TANK	1,00			--
0027	FTDP00133	500027	FILTER VACUUM MOTOR	1,00			--
0032	VTVT01139	760126	SCREW TE M.4-25	2,00			--
0033	VTRS00515	458174	WASHER D. 4 INX	2,00			--
0034	VTRS00274	760128	WASHER NYLON 66 D.8,4-17-2 UNI	4,00			--
0035	GUGO00417	110144	GASKET SCATOLA ASPIRAZIONE	1,00			--
0036	MPVR05482	N/A	BOX -	1,00			--
0037	VTDD15925	458151	NUT M 4 INX+ZN	2,00			--
0038	GUGO00418	110158	GASKET CONDOTTO ASPIRAZIONE	1,00			--
0040	GUGO00245	760134	GASKET	1,00			--
0042	FSVR43136	100102	CLAMP D. 35-40 DF.	1,00			--
0046	KTRI04696	N/A	KIT REPLACEMENT TBFX00353	1,00			--
0047	VTDD01693	100402	NUT M 5 INX	2,00			--
0048	VTRS00516	458175	WASHER D. 5 INX	2,00			--
0049	VTVR01038	N/A	WASHER -	1,00			--
0050	MPVR05596	N/A	PROTECTION -	1,00			--
0051	VTVT01150	N/A	SCREW 4x10	1,00			--
0052	VTVT07725	160167	SCREW TE 5X16 UNI5739 INX	2,00			--
0053	LAFN07631	N/A	BRACKET -	1,00			--
0056	FSVR00248	N/A	CLAMP -	1,00			--

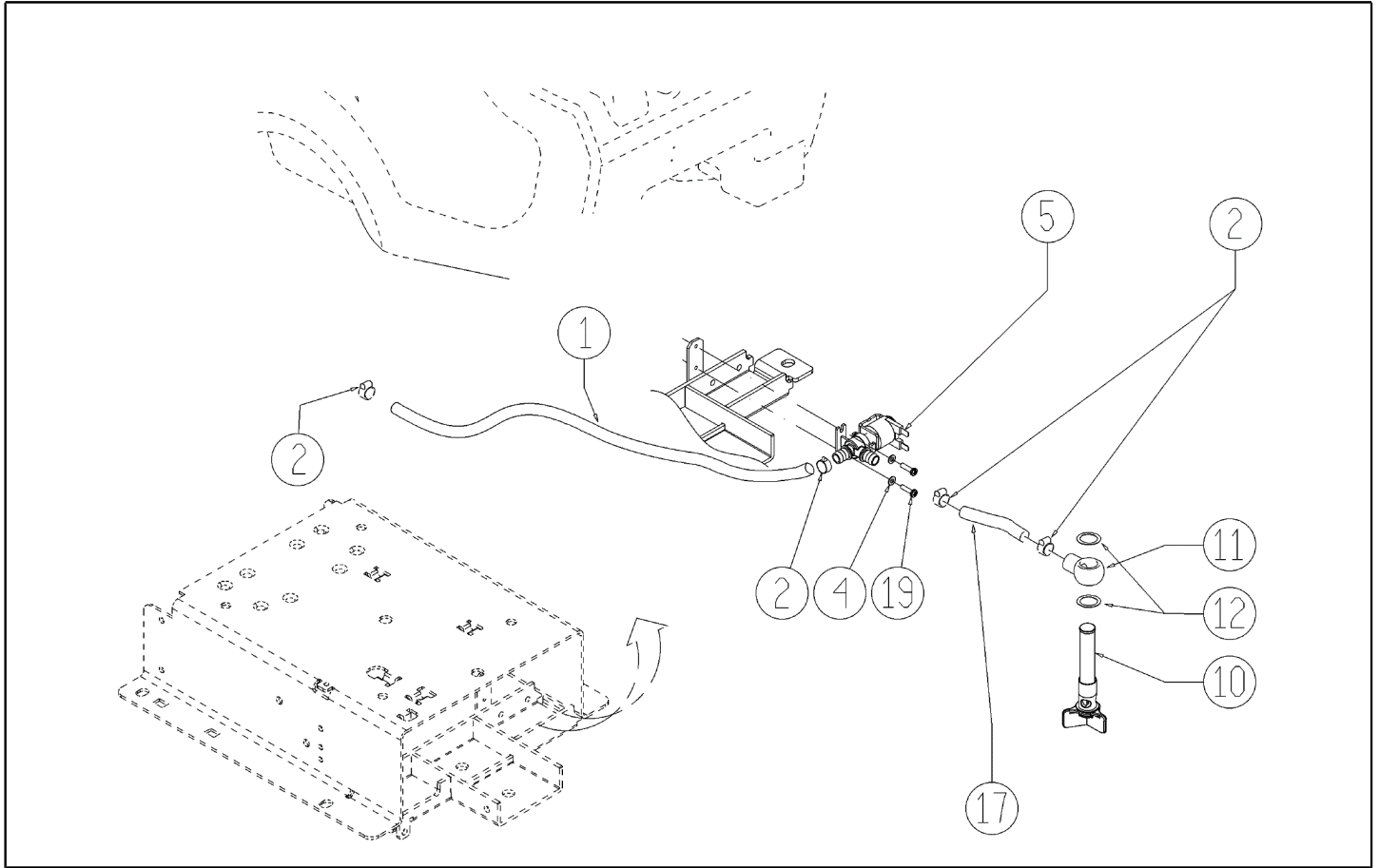


Ref. K	Part N.	Part N. 2	Description	Quantity	Validity		Price
					From	To	
0001	LAFN06391	760183	BUSHING BRUSH DECK SUPPORT	6,00			--
0002	VTVT00285	100227	SCREW TE M12X110	1,00			--
0003	LAFN04190	760185	BUSHING PARALLELOGR.TEST.GR.	2,00			--
0004	LAFN07593	N/A	BRACKET LIFTING BRUSH HEAD	1,00			--
0005	LAFN09270	N/A	PEDAL BRUSH HEAD LIFTING	1,00			--
0006	RCDS34717	100251	BUSHING D. 9X12X 8.3	2,00			--
0007	MFVR00226	N/A	SUPPORT SQUEEGEE	1,00			--
0008	LAFN09006	N/A	PIN -	1,00			--
0009	LAFN51068	760191	BUSHING LEVA POSTER.	1,00			--
0010	VTRS13946	100274	WASHER D. 8 X24 INX UNI 6593	6,00			--
0011	VTVT00161	760193	SCREW TE M6X20	1,00		26/02/2019	--
0011	VTVT13939	458224	SCREW TE 6X20 UNI5739 INX	1,00	27/02/2019		--
0012	LAFN10124	760194	PLATE	1,00			--
0013	VTDD01695	458145	NUT M 8 INX	8,00			--
0014	LAFN07606	N/A	BASE -	1,00			--
0015	RTRT00395	N/A	WHEEL CASTOR D.80X25 PU	1,00			--
0016	VTDD15521	100134	NUT M 8 INX A2 UNI 5588	1,00			--
0017	MLML34726	N/A	SPRING TR E350 N	1,00			--
0018	VTRS00245	100142	WASHER D.6 UNI 6592 INOX	1,00			--
0019	LAFN03840	N/A	BUSHING	1,00			--
0020	VTVT15917	110306	SCREW TE M 8X50 INOX A2 UNI	1,00			--
0021	VTVT15907	100174	SCREW TE 8X25 UNI5739 INX	3,00			--
0023	VTRS00274	760128	WASHER NYLON 66 D.8,4-17-2 UNI	1,00			--
0026	MLML00303	760219	SPRING L=54,1 D.=9,4	1,00			--
0027	LAFN07563	N/A	ARM -	1,00			--
0028	LAFN06389	760207	ARM PARALLELOGRAMMA	1,00			--
0029	MPVR75799	520110	FOOT 20X9 M6X18	1,00			--
0030	VTVR00215	N/A		1,00			--
0031	VTDD01694	458144	NUT M6 INOX	1,00			--
0032	VTRS13947	458180	WASHER D. 8 INX UNI 6592	1,00			--
0033	MPVR05186	760211	COVER -	1,00			--
0035	VTDD00176	160034	NUT M.12 INOX A2 BASSO AUTOB.	1,00			--
0037	VTRS13947	458180	WASHER D. 8 INX UNI 6592	4,00			--
0038	VTVT00429	770210	SCREW TE M 8X 40 INX UNI 5737	1,00			--
0040	VTDD01694	458144	NUT M6 INOX	5,00			--
0041	VTRS00245	100142	WASHER D.6 UNI 6592 INOX	1,00			--
0043	VTVT15371	100219	SCREW TE M 8X45 INOX A2 UNI	1,00			--
0045	VTRS00245	100142	WASHER D.6 UNI 6592 INOX	1,00			--
0046	VTDD15521	100134	NUT M 8 INX A2 UNI 5588	1,00			--
0047	VTVT13937	458223	SCREW TE M 8X 30 INX UNI 5739	2,00			--
0050	VTRS09142	N/A	WASHER UNI 6593 12X36X2,5	1,00			--
0052	VTVT13937	458223	SCREW TE M 8X 30 INX UNI 5739	1,00			--
0053	VTDD01695	458145	NUT M 8 INX	1,00			--
0054	MLML00338	N/A	SPRING INOX L98 DE18 DI14	1,00			--

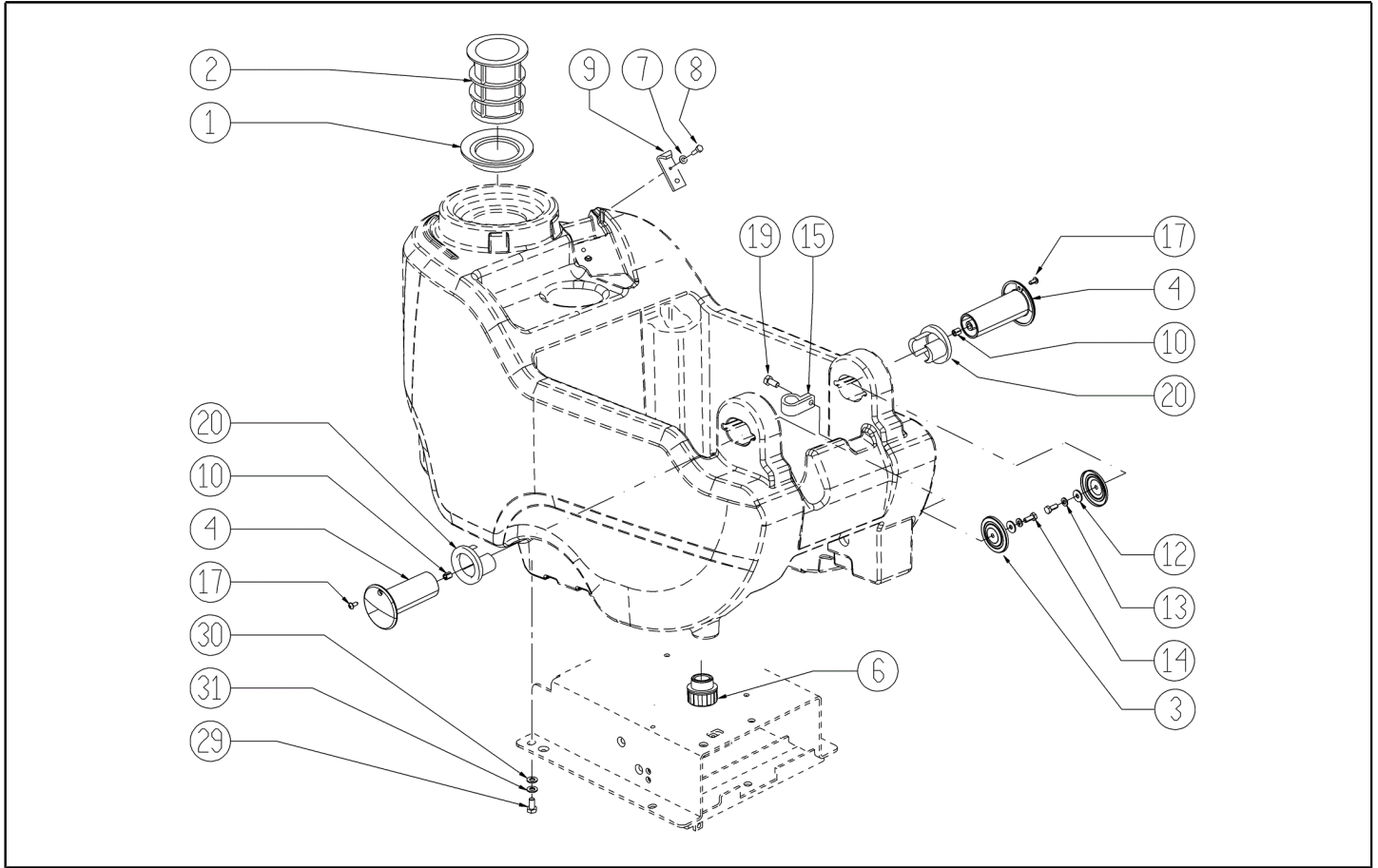


Ref. K	Part N.	Part N. 2	Description	Quantity	Validity		Price
					From	To	
0055	VTRS13945	458215	WASHER D. 6X18 INX UNI 6593	1,00		27/03/2018	--
0055	LAFN06391	760183	BUSHING BRUSH DECK SUPPORT	1,00	28/03/2018		--
0056	VTDD01694	458144	NUT M6 INOX	1,00			--
0057	VTDD00053	N/A	NUT M6 INOX UNI5589	2,00			--
0058	LAFN09231	N/A	BRACKET M6X11X29	1,00			--
0060	VTVT01008	N/A	SCREW 6X110	1,00			--
0061	VTVT01009	N/A	SCREW 8X60	1,00			--
0062	MFVR00227	N/A	SUPPORT SQUEEGEE	1,00			--
0063	VTRS00274	760128	WASHER NYLON 66 D.8,4-17-2 UNI	1,00			--
0064	MPVR06069	N/A	WASHER 15X40	1,00			--
0065	VTRS09142	N/A	WASHER UNI 6593 12X36X2,5	1,00			--
0076	VTVT00224	125346	SCREW	1,00		26/02/2019	--
0076	VTVT00129	N/A	SCREW TSCE UNI 5933 8X20 ZB	1,00	27/02/2019		--
0077	LAFN06860	N/A	BRACKET CT70	1,00			--
0078	VTDD01695	458145	NUT M 8 INX	1,00			--
0079	VTRS15146	458182	WASHER GROVER A2 UNI1751	1,00			--

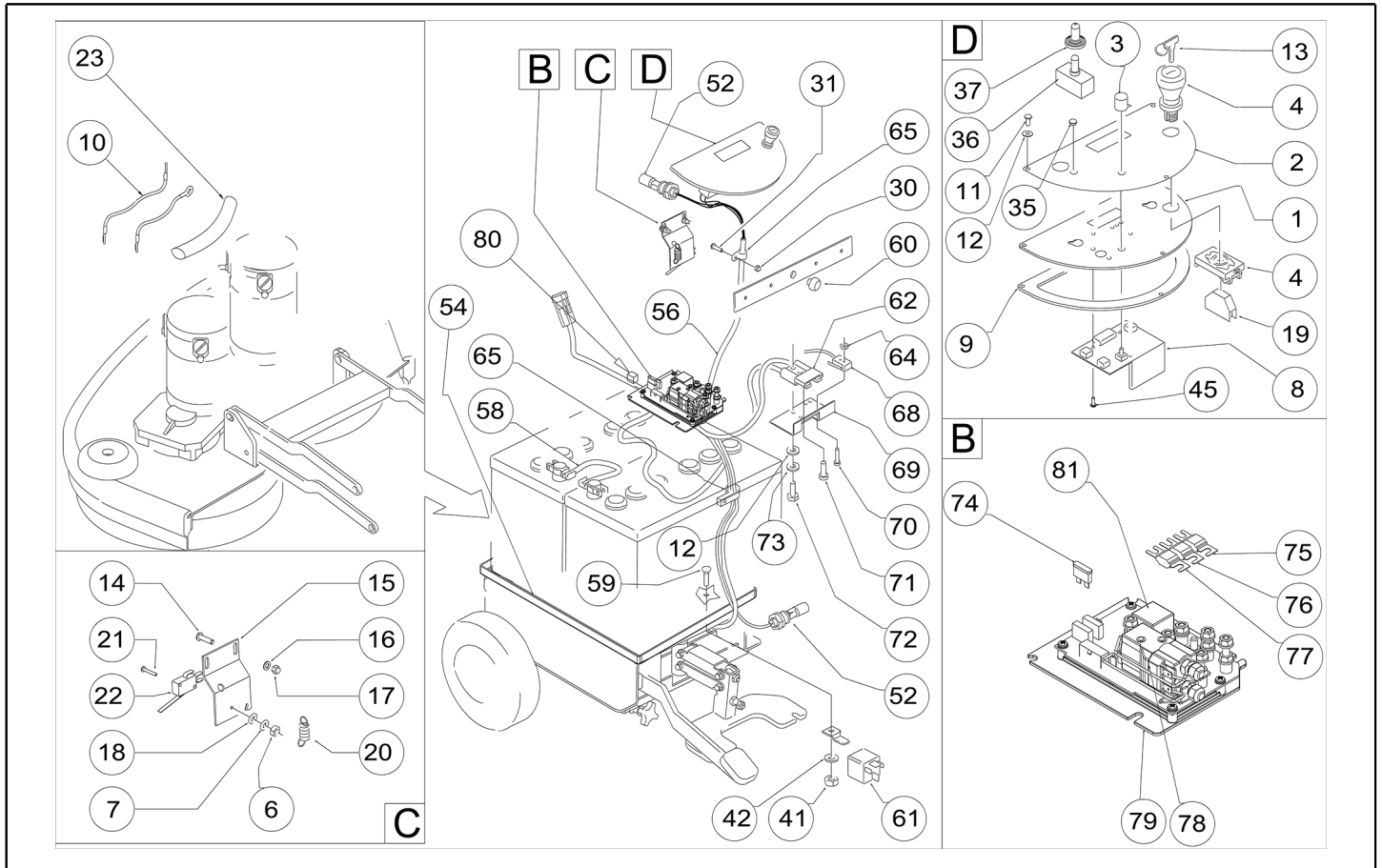




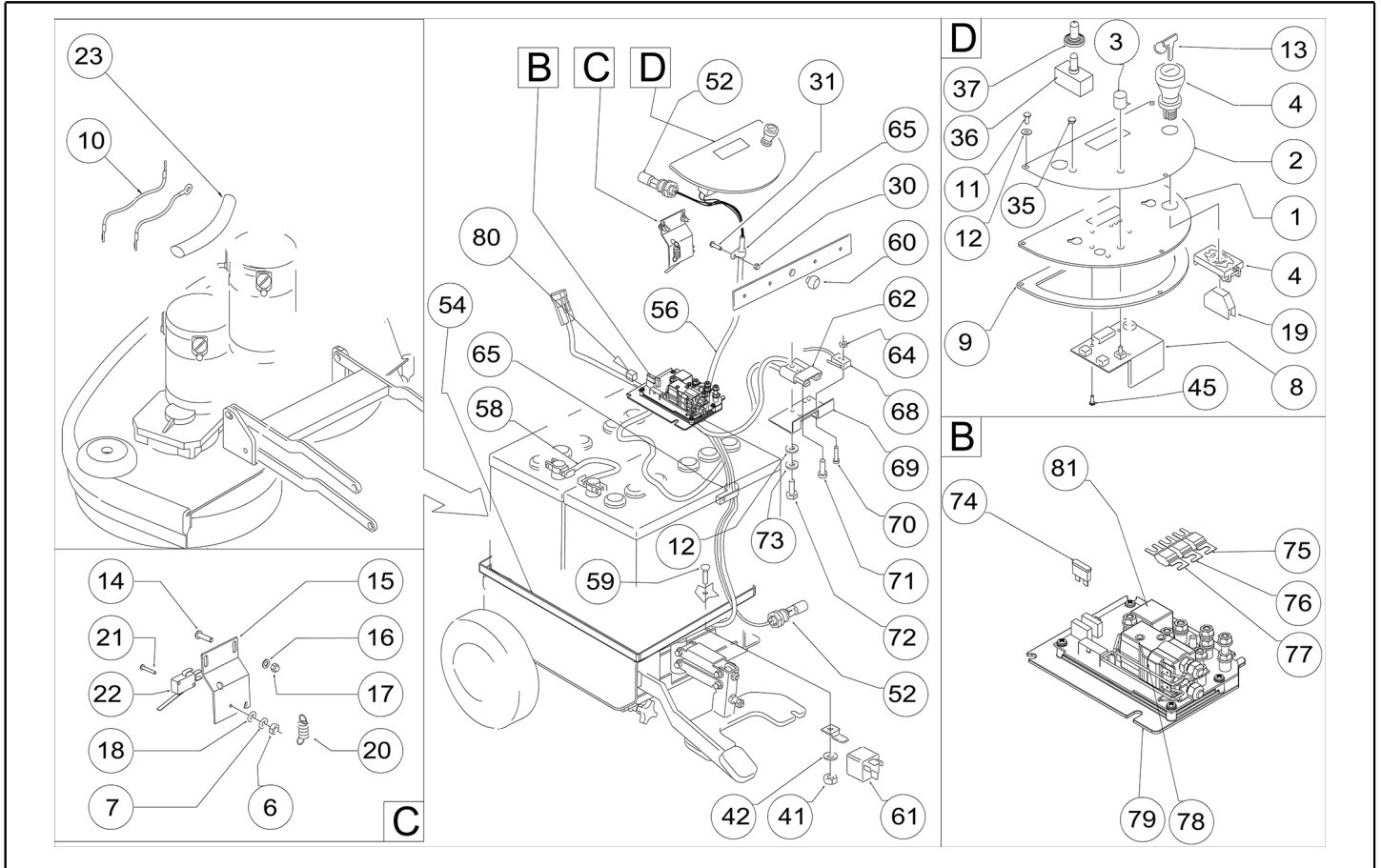
Ref. K	Part N.	Part N. 2	Description	Quantity	Validity		Price
					From	To	
0001	TBFX48011	110243	TUBE FLEX D.12X3 ARMORV.PVC TR	0,71			--
0002	FSVR00428	N/A	CLAMP D. 12-20	4,00			--
0004	VTRS00515	458174	WASHER D. 4 INX	2,00			--
0005	MEEV00036	N/A	SOLENOID VALVE HOLE 8mm CLEANTIME	1,00			--
0010	MPVR05221	N/A	FILTER COMPLETO	1,00		14/02/2013	--
0010	MPVR06303	N/A	FILTER CT40-70-90	1,00	15/02/2013		--
0011	LAFN07783	N/A	CONNECTOR -	1,00			--
0012	VTRS00567	N/A	WASHER 1/2	2,00			--
0017	TBFX48011	110243	TUBE FLEX D.12X3 ARMORV.PVC TR	0,17			--
0019	VTVT01158	N/A	SCREW M4x16	2,00			--



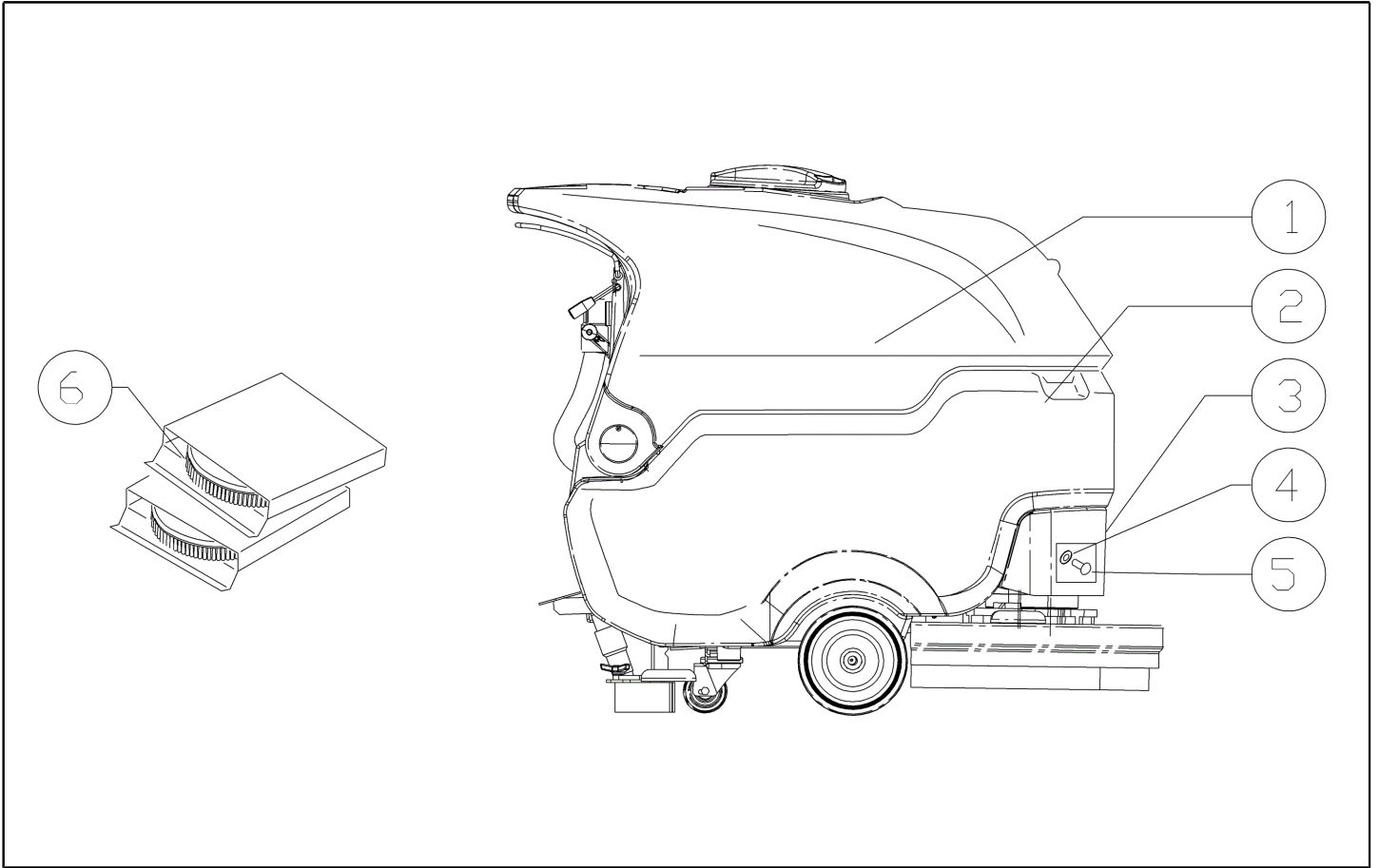
Ref. K	Part N.	Part N. 2	Description	Quantity	Validity		Price
					From	To	
0001	GUVR48859	100091	GASKET SHK	1,00			--
0002	FTAC48857	100089	FILTER SOLUTION TANK INLET	1,00			--
0003	LAFN07800	N/A	SHEET METAL PA. -	2,00			--
0004	MPVR48695	100097	PIN SHK.BK	2,00		10/09/2014	--
0004	MPVR06407	N/A	PIN -	2,00	11/09/2014		--
0006	MPVR08003	N/A	CAP	1,00		12/12/2016	--
0006	MPVR10774	N/A	CAP 1/2"	1,00	13/12/2016		--
0007	VTRS15144	458181	WASHER D. 6 INX GRW UNI 1751	1,00			--
0008	VTVT01303	N/A	SCREW TE M6-10 INOX	1,00			--
0009	LAFN06489	N/A	PLATE	1,00			--
0010	VTVR48693	100098	INSERT FILETTATO M6	1,00			--
0012	VTRS13945	458215	WASHER D. 6X18 INX UNI 6593	2,00			--
0013	VTRS15144	458181	WASHER D. 6 INX GRW UNI 1751	2,00			--
0014	VTVT15143	100117	SCREW TE 6X16 UNI5739	2,00			--
0015	MPVR02933	110056	DUCT LOCK D.9,5	2,00			--
0017	VTVT48694	100106	SCREW TCB TC 5 X12 UNI 9707 TZ	2,00		10/09/2014	--
0019	VTVT15961	760148	SCREW M 5X 16 TCB TC UNI 7687	1,00			--
0020	PMVR02028	760149	RUBBER GRUPPO MONTAGGIO	2,00			--
0029	VTVT15916	110301	SCREW TE M 8X 16 UNI 5739 A2	4,00			--
0030	VTRS00269	760157	WASHER D. 8 DIN 6798-A INX A2	4,00			--
0031	VTRS13947	458180	WASHER D. 8 INX UNI 6592	4,00			--



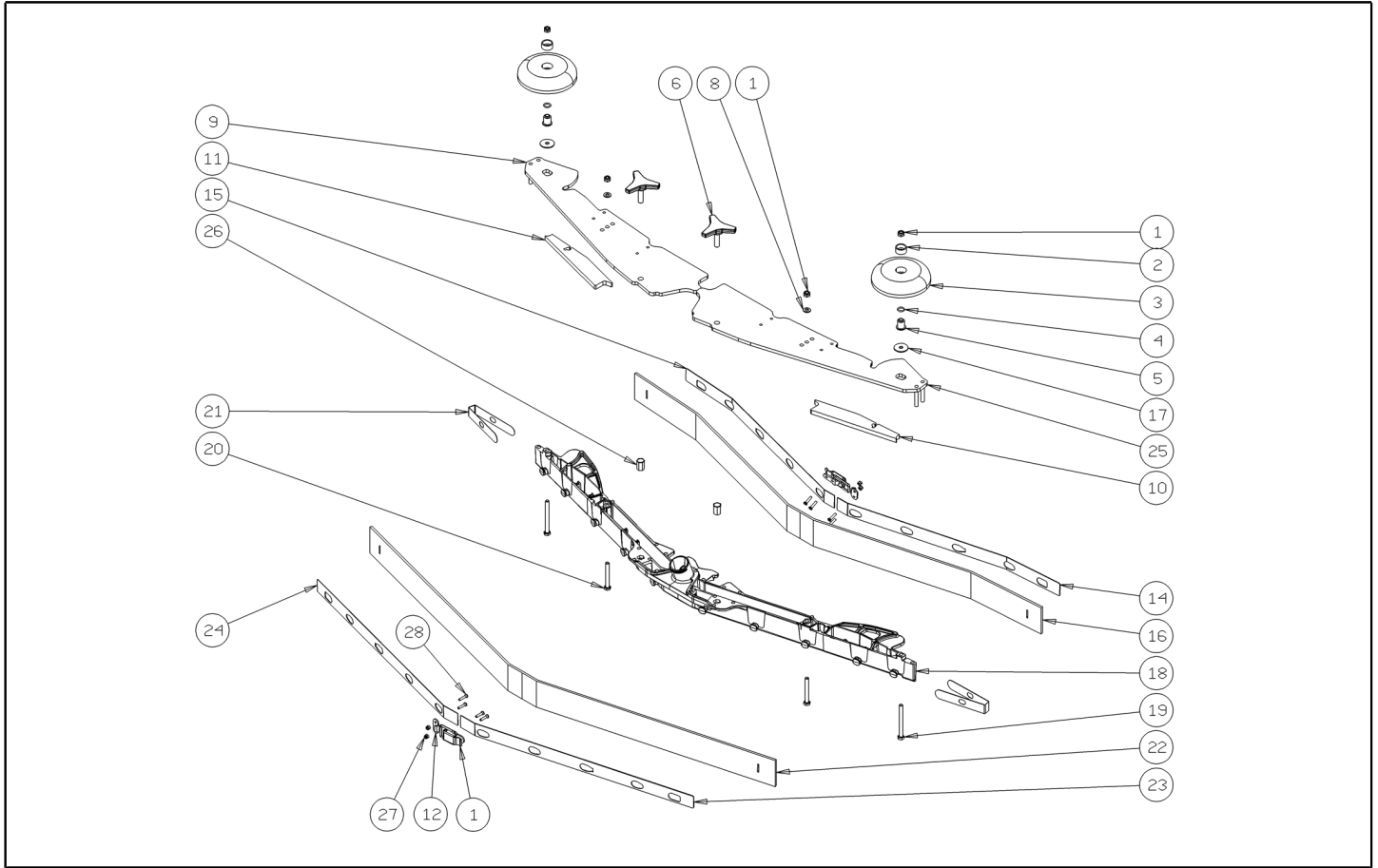
Ref. K	Part N.	Part N. 2	Description	Quantity	Validity		Price
					From	To	
000D	MECE00585	N/A	BOARD CT70 2013	1,00			--
0001	LAFN08989	N/A	SUPPORT -	1,00			--
0002	ETET01717	N/A	LABEL -	1,00			--
0003	MEVR01666	760036	KNOB POTENTIOMETER	1,00			--
0004	MECI00402	N/A	SWITCH KEY + EMERGENCY	1,00			--
0006	VTDD21115	100067	NUT M 3 INOX	2,00			--
0007	VTRS00268	100041	WASHER D.3	2,00			--
0008	MECE00474	N/A	BOARD CT70 EV	1,00		10/04/2013	--
0008	MECB01329	N/A	BOARD BT CT70 H2O - NEW	1,00	11/04/2013		--
0009	GUGO38417	760042	GASKET PANN.COM.EXTREME	1,00			--
0011	VTVT37012	110026	SCREW M 4X 10 TCB-TC INX	3,00			--
0012	VTRS00515	458174	WASHER D. 4 INX	9,00			--
0013	CHVR00051	100059	KEYS SET SPARE SCRUBBERS W.B.	1,00			--
0014	VTVT07725	160167	SCREW TE 5X16 UNI5739 INX	2,00			--
0015	LAFN05904	760048	PLATE MICRO LEVA	1,00			--
0016	VTRS00516	458175	WASHER D. 5 INX	2,00			--
0017	VTDD01693	100402	NUT M 5 INX	4,00			--
0018	VTRS21116	160084	WASHER D. 3 INX	2,00			--
0019	MECI00403	100058	CONTACT -	1,00			--
0020	MLML34726	N/A	SPRING TR E350 N	1,00		21/07/2014	--
0020	MLML00203	N/A	SPRING	1,00	22/07/2014		--
0021	VTVT01316	760054	SCREW TC+ M3-16	2,00			--
0022	MECI36393	760055	MICROSWITCH ACTIVATION TRCTN.	1,00			--
0030	VTDD15925	458151	NUT M 4 INX+ZN	4,00			--
0031	VTVT00704	100280	SCREW TE M 4X 16 UNI5739 INOX	6,00			--
0035	RCVR00164	N/A		1,00			--
0036	MECI30499	N/A	SWITCH 10A - 250VAC	1,00			--
0037	MEVR01975	N/A	RUBBER DEVIATORE	1,00			--
0041	VTDD01694	458144	NUT M6 INOX	1,00			--
0042	VTRS00245	100142	WASHER D.6 UNI 6592 INOX	1,00			--
0045	VTVT00722	100310	SCREW	3,00			--
0052	MECI00516	760084	SENSOR FLOAT WATER TANK	2,00			--
0054	LAFN35588	760086	BATTERY SUPPORT CT LINE	1,00			--
0056	MECB01302	N/A	WIRING CT40-70 BT	1,00		10/04/2013	--
0056	MECB01334	N/A	WIRING CT40-55-70 BT	1,00	11/04/2013		--
0058	MEVR34820	100027	WIRING BATTERY BRIDGE W/TERMINAL	1,00			--
0059	VTVT01676	760076	SCREW TSTC UNI 7688 M6X16	1,00			--
0060	MPVR00043	760089	CAP CHIUS.FORO PORTAFUS.L 15	1,00			--
0061	MECI00005	760070	RELAY 24V 10/20A	1,00			--
0062	MEVR01707	760090	CONNECTOR -	1,00			--
0064	VTDD08634	100328	NUT M2	2,00			--
0065	FSVR00099	760092	CLAMP FERMATUBO	2,00			--
0068	MECI00334	100327	MICROSWITCH CHARGING PLUG	1,00			--
0069	LAFN06409	760094	SUPPORT -	1,00			--



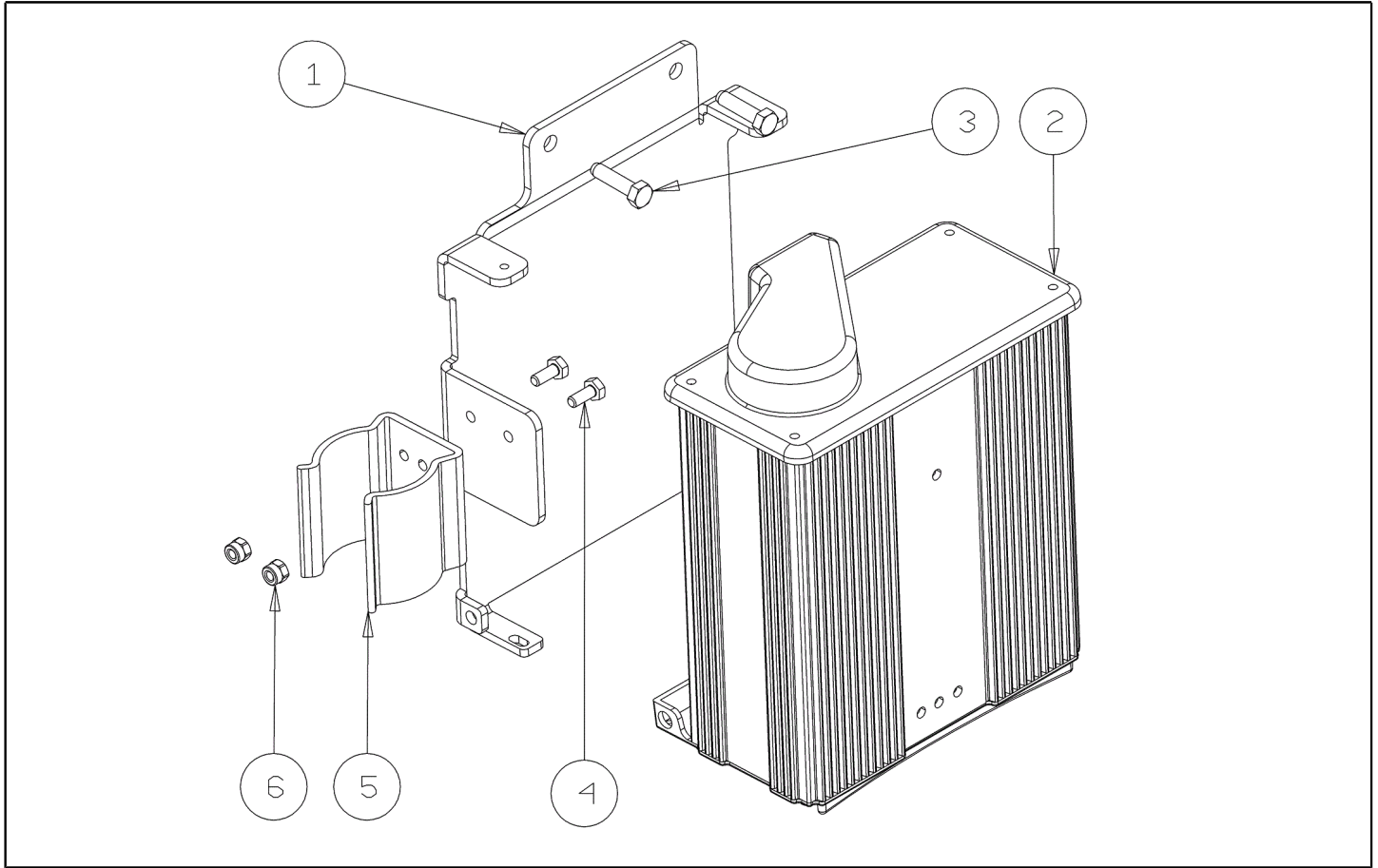
Ref. K	Part N.	Part N. 2	Description	Quantity	Validity		Price
					From	To	
0070	VTVT00671	N/A	SCREW TC- M.2-16 OTTONE	2,00			--
0071	VTVT00872	100324	SCREW TSP+ 2.9X13 AUTOFIL. INOX	1,00			--
0072	VTVT00814	100323	SCREW TE M.4-25	2,00			--
0073	VTRS15913	100154	WASHER D. 4 GROVER A2 UNI1751	2,00			--
0074	MEVR01428	125206	FUSE A LAMA 2 A. UNIVAL	1,00			--
0075	MEVR02104	N/A	FUSE 30A OMEGA FT3030	1,00			--
0076	MEVR02060	N/A	FUSE 40A	1,00			--
0077	MEVR02061	N/A	FUSE 80A	1,00		31/12/2015	--
0077	MEVR02105	N/A	FUSE 50A OMEGA FT3050	1,00	01/01/2016		--
0078	METT00085	N/A	CONTACTOR 100A	1,00			--
0079	MECE00574	N/A	BOARD RELAY CT40-70-90 B-BT	1,00			--
0080	MECE00139	500044	RELAY 24V 70A	1,00			--



Ref. K	Part N.	Part N. 2	Description	Quantity	Validity		Price
					From	To	
0001	MPVR05385	N/A	TANK CT70	1,00			--
0002	MPVR05386	N/A	TANK CT70	1,00			--
0003	MPVR05356	N/A	COVER 60/70	1,00			--
0004	VTRS00516	458175	WASHER D. 5 INX	4,00			--
0005	VTVT15961	760148	SCREW M 5X 16 TCB TC UNI 7687	4,00			--
0006	SPPV47749	770282	BRUSH NYLON 0.8 D.340 BT 7000	2,00		16/11/2015	--
0006	SPPV01472	N/A	BRUSH PPL D.340 APC	2,00	17/11/2015		--



Ref. K	Part N.	Part N. 2	Description	Quantity	Validity		Price
					From	To	
0001	LAFN09302	N/A	CLOSURE -	2,00	26/09/2013		--
0002	MPVR49229	458250	BUSHING SHK	2,00			--
0003	MPVR05290	N/A	ROLLER SIDE BUMPER WHEEL	2,00			--
0004	GUGO00164	N/A	GASKET	2,00			--
0005	LAFN04100	458252	SPACER FOR BUMPER WHEEL	2,00			--
0006	MPVR06003	N/A	KNOB AISI 304	2,00		05/03/2013	--
0006	MPVR06004	N/A	KNOB SQUEEGEE YELLOW M8X30	2,00	06/03/2013		--
0008	VTRS00245	100142	WASHER D.6 UNI 6592 INOX	2,00			--
0009	LAFN09014	N/A	PLATE -	1,00			--
0010	GUVR00303	N/A	GASKET -	1,00			--
0011	GUVR00302	N/A	GASKET -	1,00			--
0012	LAFN09301	N/A	SOCKET -	2,00	26/09/2013		--
0014	LAFN08952	N/A	BRACKET -	1,00		25/09/2013	--
0014	LAFN09284	N/A	SHEET METAL PA. -	1,00	26/09/2013		--
0015	LAFN08953	N/A	BRACKET -	1,00		25/09/2013	--
0015	LAFN09285	N/A	BLADE RETAINER FRONT L.H.S. L	1,00	26/09/2013		--
0016	MPVR08040	N/A	BLADE L LATEX	1,00			--
0017	VTRS16937	458184	WASHER 6x24 INOX UNI 6593	2,00			--
0018	KTRI02049	N/A	BODY SQUEEGEE PRESSOFUSO "L"	1,00			--
0019	VTVT00841	N/A	SCREW TE M 6X65 UNI 5739 INX	2,00			--
0020	VTVT15515	100344	SCREW TE M 6X 50 INOX A2	2,00			--
0021	MPVR05898	N/A	CLOSURE L	2,00			--
0022	MPVR08036	N/A	BLADE L LATEX	1,00			--
0023	LAFN08954	N/A	BRACKET -	1,00		25/09/2013	--
0023	LAFN09286	N/A	SHEET METAL PA. -	1,00	26/09/2013		--
0024	LAFN08955	N/A	BRACKET -	1,00		25/09/2013	--
0024	LAFN09287	N/A	SHEET METAL PA. -	1,00	26/09/2013		--
0025	LAFN09015	N/A	PLATE -	1,00			--
0026	VTVR00565	N/A	INSERT -	2,00			--
0027	VTDD00210	N/A	NUT M 3 AUTOBL.DIN 985 IX.A2	8,00	26/09/2013		--
0028	VTVT01070	N/A	SCREW TSTC M3X8	8,00	26/09/2013		--



Ref. K	Part N.	Part N. 2	Description	Quantity	Validity		Price
					From	To	
0001	LAFN07333	N/A	BRACKET -	1,00			--
0002	BACA00169	N/A	BATTERY-CHARGER CBHD1 24V 10A 100/240V	1,00			--
0003	VTVT07726	N/A	SCREW TE 5X20	2,00			--
0004	VTVT21096	160119	SCREW TE M 4X 10 INX	2,00			--
0005	MPVR46988	500006	CLIP FIXATION DRAIN HOSE	1,00			--
0006	VTDD00055	N/A	NUT M 4 ATB A2	2,00			--