

MODELS - MODELLI

T - TX



INTERPUMP GROUP

VIA E. FERMI, 25 - 42049 S. ILARIO - REGGIO EMILIA (ITALY)
 TEL. +39 - 0522 - 904311 - TELEFAX + 39 - 0522 - 904444
 E-mail: info@interpumpgroup.it - http://www.interpumpgroup.it

- Parts list**
- Liste de pièces détachées**
- Ersatzteilliste**
- Lista de repuestos**
- Lista de peças de reposição**
- Nomenclatura ricambi**
- Onderdelenlijst**
- Delelista**
- Reservedelsliste**
- Varaosaluettelo**
- Dele Liste**
- Λίστα ανταλλακτικών**



CAUTION

CAUTION:

Repairs by qualified personnel only.

PRECAUTION:

Réparations par personnel spécialisé seulement.

ACHTUNG:

Reparaturen nur durch Fachpersonal.

PRECAUCION:

Unicamente personal calificado deberia hacer reparaciones.

PRECAUÇÃO:

Somente pessoal qualificado efectuar consertos.

PRECAUZIONE:

Affidare la riparazione unicamente a personale esperto.

WAARSCHUWING:

Reparaties alleen door wakbekwame mensen laten uitvoeren.

VARNING:

Skall endast reparerast av kvalifiserad personal.

ADVARSEL:

Reparationer ma kun foretages av kvalificerede tekniker.

CAUTIN:

Vain koulutettu henkilö saa suorittaa korjaustyöt.

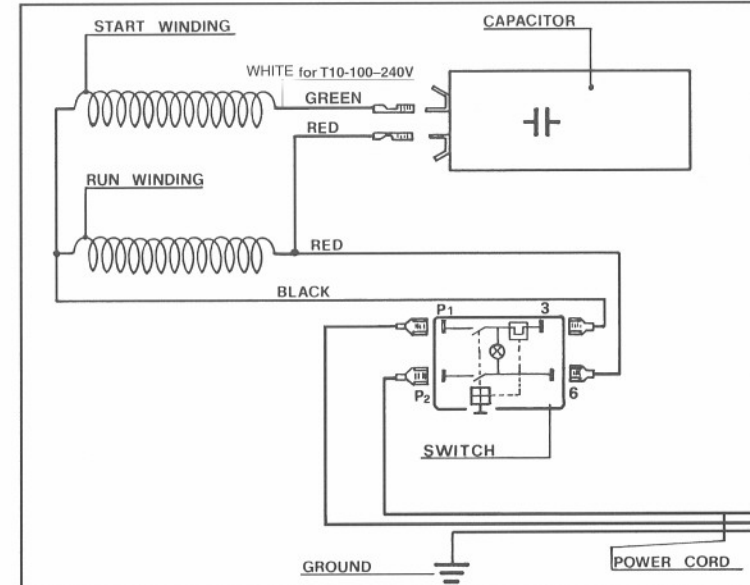
ADVARSEL:

Ma bare repareres av kvalifisert personell.

ΠΡΟΣΟΧΗ:

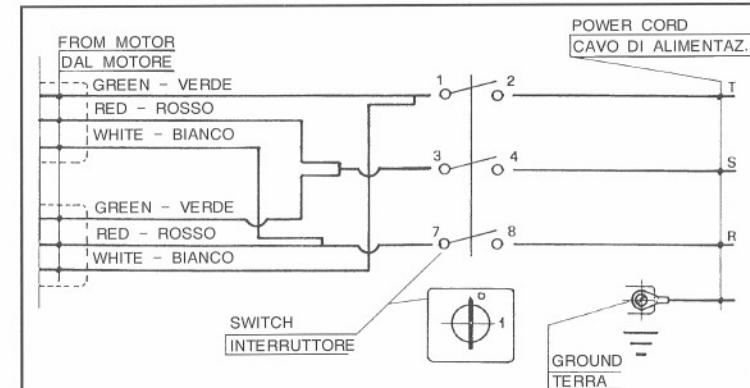
Οι επισκευές γίνονται μόνο από ειδικευμένο προσωπικό.

SERIES "T"



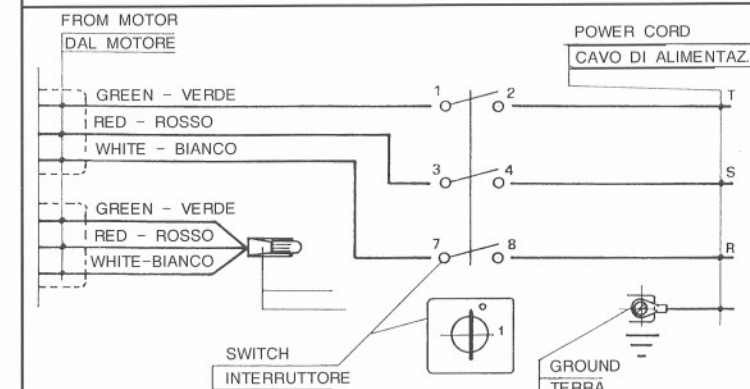
MOD. T8.90
MOD. T10.100

SINGLE-PHASE
MONOPHASE
WECHSEL-STROM
MONOFASICO
MONOFASE



MOD. T11.120

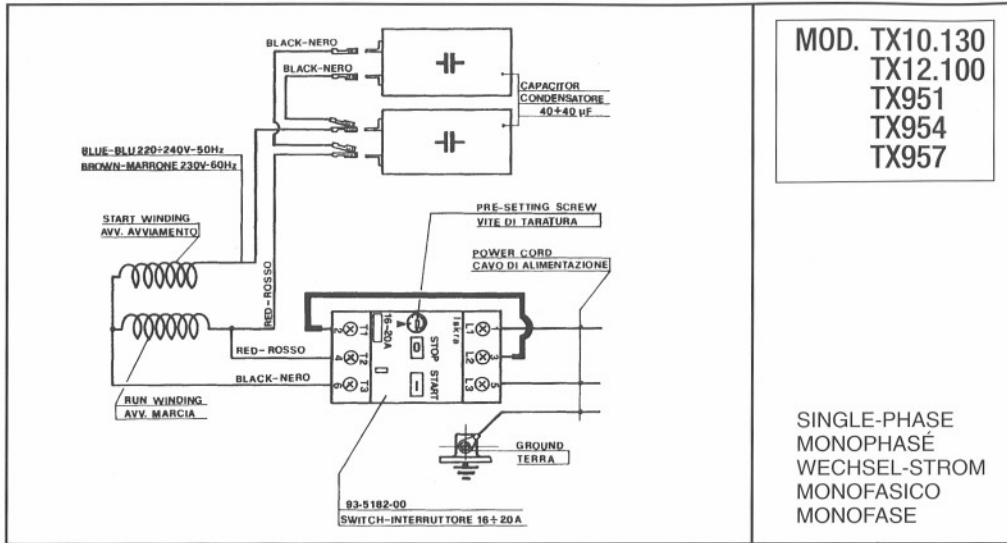
▲
THREE-PHASE
TRIPHASÉ
DREH-STROM
TRIFASICO
TRIFASE



MOD. T11.120

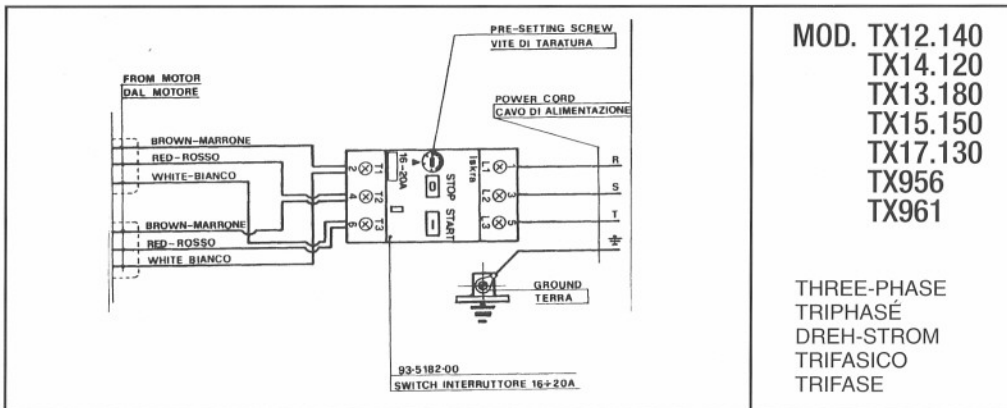
Y
THREE-PHASE
TRIPHASÉ
DREH-STROM
TRIFASICO
TRIFASE

SERIES "TX"



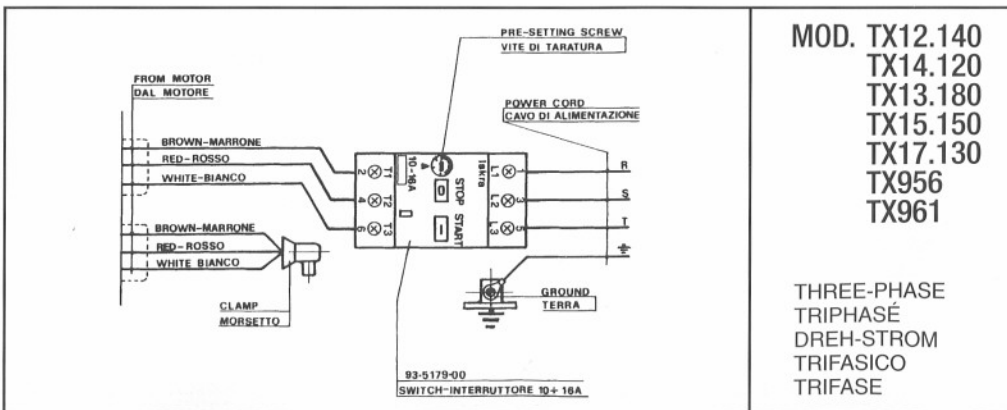
MOD. TX10.130
TX12.100
TX951
TX954
TX957

SINGLE-PHASE
MONOPHASE
WECHSEL-STROM
MONOFASICO
MONOFASE



MOD. TX12.140
TX14.120
TX13.180
TX15.150
TX17.130
TX956
TX961

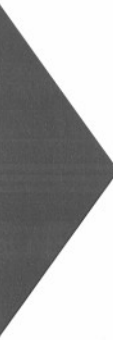
THREE-PHASE
TRIPHASE
DREH-STROM
TRIFASICO
TRIFASE



MOD. TX12.140
TX14.120
TX13.180
TX15.150
TX17.130
TX956
TX961

THREE-PHASE
TRIPHASE
DREH-STROM
TRIFASICO
TRIFASE

Parts list
Liste des pièces détachées
Ersatzteilliste
Lista de repuestos
Lista de peças de reposição
Nomenclatura ricambi
Onderdelenlijst
Delelista
Reservedelsliste
Varaosaluettelo
Dele Liste
Λίστα ανταλλακτικών



POWER UNITS - SINGLE PHASE - MOTOPOMPE - MONOFASE

T8.90

- SPARE PARTS KITS
- KITS DE PIECES DETACHEES
- ERSATZTEILENKITS
- KITS DE REPUESTOS
- KIT RICAMBI

- ONDERDELENKITS
- RESERVEDELS KITS
- RESERVEDELS KITS
- VARAOSAT
- RESERVEDELER I KIT

KIT N.	KIT 1	KIT 83	KIT 84	KIT 86	KIT 96	KIT 97
Positions included	60 - 61 - 62 63 - 64 (65)	72	58 - 59	55 - 56 57	53 - 54 - 55 56 - 57	53 - 54 56 - 57
Posizioni incluse						
N. pcs.	6	3	6	3	1	3

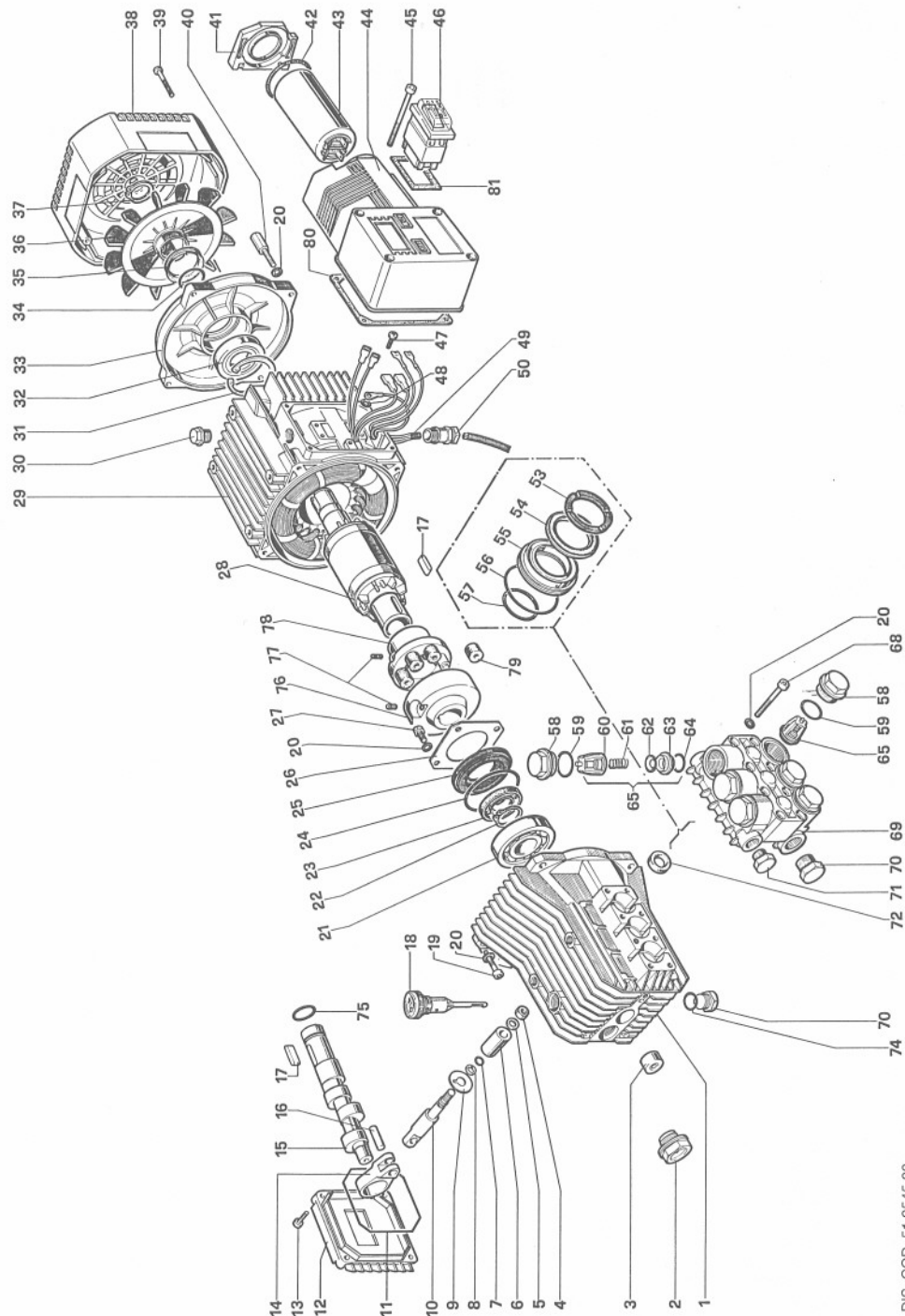
- LIST OF SPARE PARTS
- LISTE DE PIECES DETACHEES
- ERSATZTEILLISTE
- LISTA DE REPUESTOS
- NOMENCLATURA RICAMBI

- ONDERDELENLIJST
- RESERVEDELSLISTA
- RESERVEDELSLISTE
- VARAOSALUETTELO
- RESERVEDELSLISTE

POS.	CODE CODICE	N. PCS.
1	51.0100.22	1
2	97.5968.00	1
3	91.8014.00	1
4	92.2216.00	3
5	44.2115.70	3
6	51.0400.09	3
7	90.3572.00	3
8	90.5022.00	3
9	96.7070.00	3
10	51.0500.56	3
11	90.3917.00	1
12	51.1600.22	1
13	99.1867.00	4
14	51.0300.22	3
15	51.0205.35	1
16	97.7310.00	3
17	91.4874.00	2
18	98.2103.00	1
19	99.1897.00	4
20	96.6938.00	20
21	91.8328.00	1
22	90.0635.00	1
23	90.1634.00	1
24	90.4097.00	1
25	50.2115.51	1
26	50.1500.74	1

POS.	CODE CODICE	N. PCS.
27	99.1807.00	4
28	41.3405.02	1
29	41.3206.02-220V 41.3210.02-240V	1
30	98.2093.00	1
31	90.0795.00	1
32	91.8323.00	1
33	41.0700.22	1
34	90.3857.00	1
35	90.1652.00	1
36	41.0300.51	1
37	90.0628.00	1
38	41.0400.51	1
39	99.1658.00	4
40	41.2104.65	4
41	41.2120.51	1
42	90.3885.00	1
43	93.5658.00	1
44	41.2124.51	1
45	99.1705.00	4
46	93.5026.00	1
47	99.1515.00	1
48	96.6913.00	1
49	10.7274.01	1
50	93.5210.00	1
53	51.1000.51	3

POS.	CODE CODICE	N. PCS.
54	90.2620.00	3
55	51.0800.70	3
56	90.3604.00	3
57	90.3835.00	3
58	98.2218.00	6
59	90.3847.00	6
60	36.2002.51	6
61	94.7376.00	6
62	36.2001.76	6
63	36.2003.66	6
64	90.3841.00	6
65	36.7032.01	6
68	99.1943.00	8
69	51.1202.22 STAND 51.1200.41 BRASS	1
70	98.2100.00	2
71	98.2041.00	1
72	90.1565.00	3
74	90.3833.00	1
75	90.3845.00	1
76	10.0277.22	1
77	99.3017.00	2
78	10.0278.22	1
79	10.0090.47	6
80	41.2101.47	1
81	41.2126.84	1



POWER UNITS - SINGLE PHASE - MOTOPOMPE - MONOFASE

T10.100

- SPARE PARTS KITS
- KITS DE PIECES DETACHEES
- ERSATZTEILENKITS
- KITS DE REPUESTOS
- KIT RICAMBI

- ONDERDELENKITS
- RESERVEDELS KITS
- RESERVEDELS KITS
- VARAOSAT
- RESERVEDELER I KIT

KIT N.	KIT 1	KIT 83	KIT 84	KIT 86	KIT 96	KIT 97
Positions included	60 - 61 - 62 63 - 64 (65)	72	58 - 59	55 - 56 57	53 - 54 - 55 56 - 57	53 - 54 56 - 57
Posizioni incluse						
N. pcs.	6	3	6	3	1	3

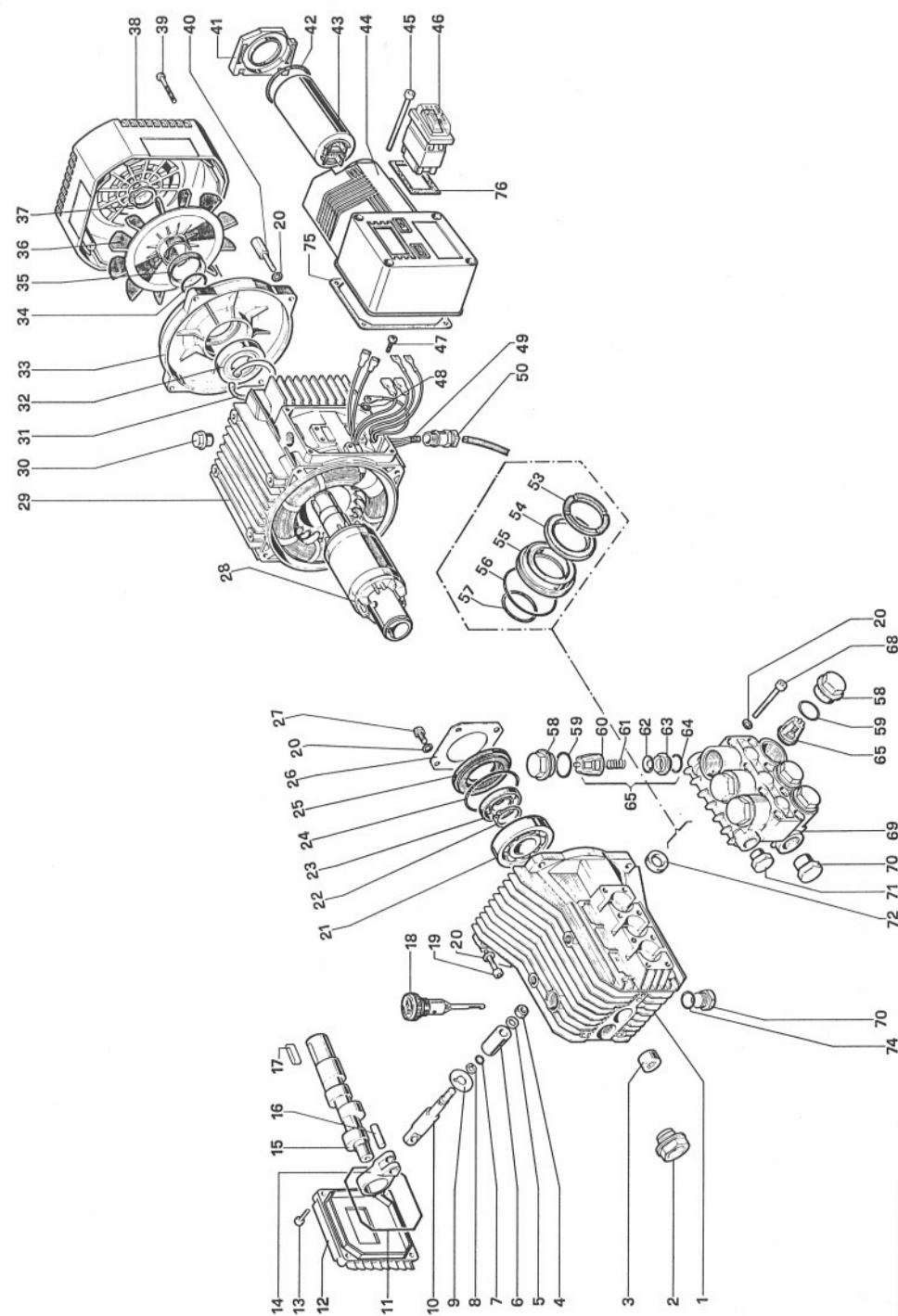
- LIST OF SPARE PARTS
- LISTE DE PIECES DETACHEES
- ERSATZTEILLISTE
- LISTA DE REPUESTOS
- NOMENCLATURA RICAMBI

- ONDERDELENLIJST
- RESERVEDELSLISTA
- RESERVEDELSLISTE
- VARAOSALUETTELO
- RESERVEDELSLISTE

POS.	CODE CODICE	N. PCS.
1	51.0100.22	1
2	97.5968.00	1
3	91.8014.00	1
4	92.2216.00	3
5	44.2115.70	3
6	51.0400.09	3
7	90.3572.00	3
8	90.5022.00	3
9	96.7070.00	3
10	51.0500.56	3
11	90.3917.00	1
12	51.1600.22	1
13	99.1867.00	4
14	51.0300.22	3
15	51.0217.35	1
16	97.7310.00	3
17	91.4877.00	1
18	98.2103.00	1
19	99.1897.00	4
20	96.6938.00	20
21	91.8328.00	1
22	90.0635.00	1
23	90.1634.00	1
24	90.4097.00	1

POS.	CODE CODICE	N. PCS.
25	50.2115.51	1
26	50.1500.74	1
27	99.1807.00	4
28	41.3406.02	1
29	41.3227.02-220V 41.3229.02-240V	1
30	98.2093.00	1
31	90.0795.00	1
32	91.8323.00	1
33	41.0700.22	1
34	90.3857.00	1
35	90.1652.00	1
36	41.0300.51	1
37	90.0628.00	1
38	41.0400.51	1
39	99.1658.00	4
40	41.2104.65	4
41	41.2120.51	1
42	90.3885.00	1
43	93.5658.00	1
44	41.2124.51	1
45	99.1705.00	4
46	93.5027.00	1
47	99.1515.00	1

POS.	CODE CODICE	N. PCS.
48	96.6913.00	1
49	10.7274.01	1
50	93.5210.00	1
53	51.1000.51	3
54	90.2620.00	3
55	51.0800.70	3
56	90.3604.00	3
57	90.3835.00	3
58	98.2218.00	6
59	90.3847.00	6
60	36.2002.51	6
61	94.7376.00	6
62	36.2001.76	6
63	36.2003.66	6
64	90.3841.00	6
65	36.7032.01	6
68	99.1943.00	8
69	51.1200.41	1
70	98.2100.00	2
71	98.2041.00	1
72	90.1565.00	3
74	90.3833.00	1
75	41.2101.47	1
76	41.2126.84	1



POWER UNITS - THREE PHASE - MOTOPOMPE - TRIFASE

T11-120

- SPARE PARTS KITS
- KITS DE PIECES DETACHEES
- ERSATZTEILENKITS
- KITS DE REPUESTOS
- KIT RICAMBI

- ONDERDELENKITS
- RESERVEDELS KITS
- RESERVEDELS KITS
- VARAOSAT
- RESERVEDELER I KIT

KIT N.	KIT 1	KIT 83	KIT 84	KIT 86	KIT 96	KIT 97
Positions included	60 - 61 - 62 63 - 64 (65)	72	58 - 59	55 - 56 57	53 - 54 - 55 56 - 57	53 - 54 56 - 57
Posizioni incluse						
N. pcs.	6	3	6	3	1	3

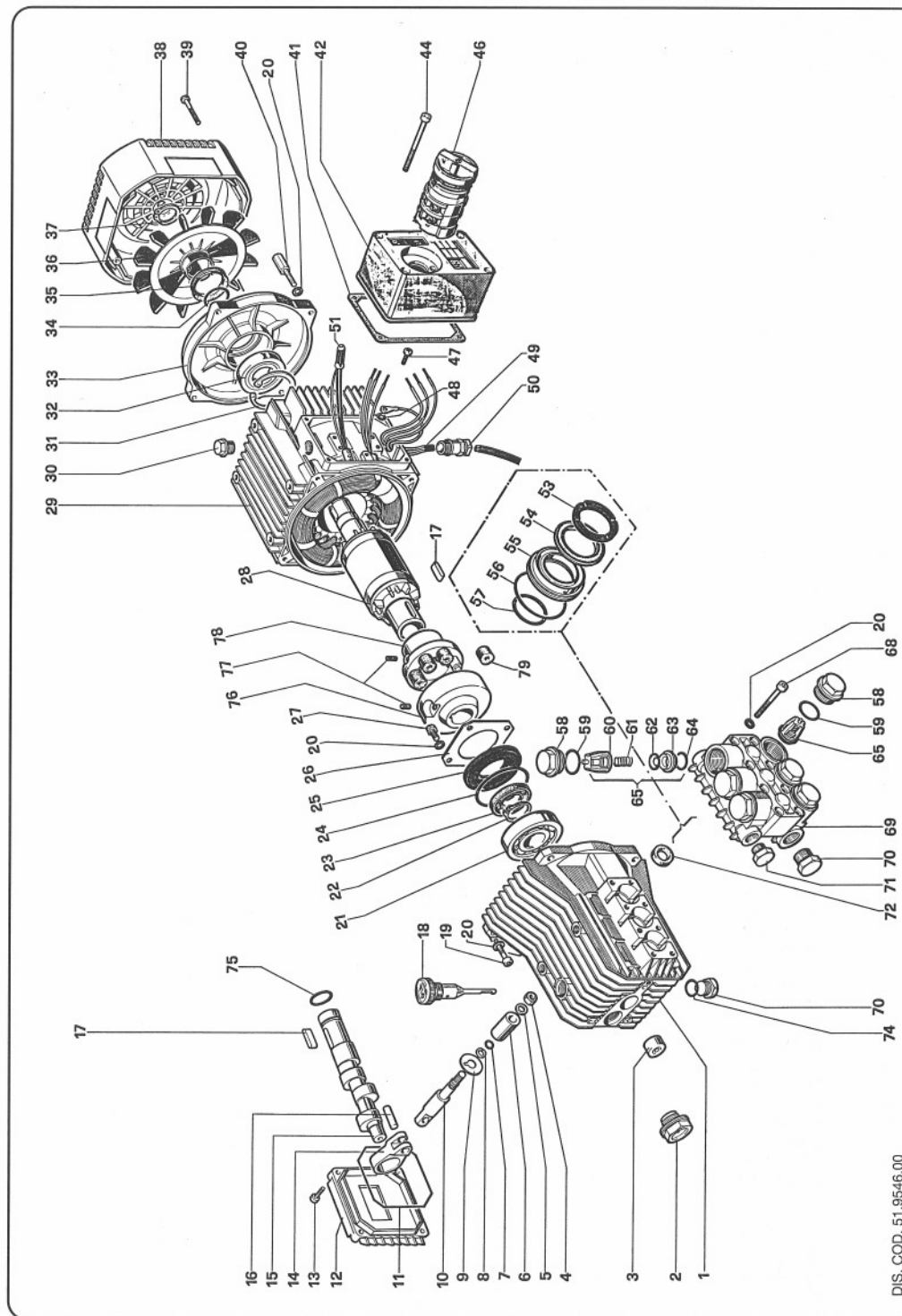
- LIST OF SPARE PARTS
- LISTE DE PIECES DETACHEES
- ERSATZTEILLISTE
- LISTA DE REPUESTOS
- NOMENCLATURA RICAMBI

- ONDERDELENLIJST
- RESERVEDELSLISTA
- RESERVEDELSLISTE
- VARAOSALUETTELO
- RESERVEDELSLISTE

POS.	CODE CODICE	N. PCS.
1	51.0100.22	1
2	97.5968.00	1
3	91.8014.00	1
4	92.2216.00	3
5	44.2115.70	3
6	51.0400.09	3
7	90.3572.00	3
8	90.5022.00	3
9	96.7070.00	3
10	51.0500.56	3
11	90.3917.00	1
12	51.1600.22	1
13	99.1867.00	4
14	51.0300.22	3
15	51.0202.35	1
16	97.7310.00	3
17	91.4874.00	2
18	98.2103.00	1
19	99.1897.00	4
20	96.6938.00	20
21	91.8328.00	1
22	90.0635.00	1
23	90.1634.00	1
24	90.4097.00	1

POS.	CODE CODICE	N. PCS.
25	50.2115.51	1
26	50.1500.74	1
27	99.1807.00	4
28	41.3404.02	1
29	41.3204.02	1
30	98.2093.00	1
31	90.0795.00	1
32	91.8323.00	1
33	41.0700.22	1
34	90.3857.00	1
35	90.1652.00	1
36	41.0300.51	1
37	90.0628.00	1
38	41.0400.51	1
39	99.1658.00	4
40	41.2104.65	4
41	41.2101.47	1
42	41.2123.51	1
44	99.1705.00	4
46	93.5037.00	1
47	99.1515.00	1
48	96.6913.00	1
49	10.7271.01	1
50	93.5210.00	1

POS.	CODE CODICE	N. PCS.
51	93.5790.00	1
53	51.1000.51	3
54	90.2620.00	3
55	51.0800.70	3
56	90.3604.00	3
57	90.3835.00	3
58	98.2218.00	6
59	90.3847.00	6
60	36.2002.51	6
61	94.7376.00	6
62	36.2001.76	6
63	36.2003.66	6
64	90.3841.00	6
65	36.7032.01	6
68	99.1943.00	8
69	51.1200.41	1
70	98.2100.00	2
71	98.2041.00	1
72	90.1565.00	3
74	90.3833.00	1
75	90.3845.00	1
76	10.0277.22	1
77	99.3017.00	2
78	10.0278.22	1
79	10.0090.47	6



TX10.130 - 12.100 - 951 - 954 - 957

- LIST OF SPARE PARTS
 - LISTE DE PIÈCES DÉTACHÉES
 - ERSATZTEILLISTE
 - LISTA DE REPUESTOS
 - NOMENCLATURA RICAMBI

- ONDERDELENLIST
 - RESERVEDELSLISTA
 - RESERVEDELSLISTA
 - VARAOSALUETTELO
 - RESERVEDELSLISTE

POS.	CODE CODICE	N. PCS.
1	44.0100.22	1
2	91.8328.00	2
3	90.4097.00	1
4	44.2118.01	1
5	99.1807.00	4
6	50.1500.74	1
7	92.2216.00	3
8	44.2115.70	3
9	52.0400.09 Ø 15 44.0401.09 Ø 18	3 3
10	90.3572.00	5
11	90.5022.00	3
12	96.7350.00	3
13	44.0500.66	3
14	97.7340.00	3
15	44.0300.22	3
16	98.2041.00	1
17	90.3585.00	2
18	99.1837.00	5
19	44.1600.22	1
20	90.3920.00	2
21	91.4892.00	1
22	44.0206.35 - TX10 130 - 951-957 44.0203.35 - TX12 100 - 954	1 1
23	98.2103.00	1
24	90.1641.00	1
25	98.2226.00	5
26	94.5824.00	1
27	36.7115.01	6
28	90.3847.00	6
29	98.2227.00	1
30	90.5065.00	1
31	90.3822.00	2
32	36.3164.66	1
33	99.1509.00	1
34	36.3190.66	1
35	90.3575.00	2
36	90.5144.00	1
37	90.3600.00	1
38	36.3229.70	1
39	36.3231.51	1
40	94.7485.00	1
41	36.3230.70	1
42	90.5025.00	1
43	36.3234.70	1
44	90.3820.00	1
45	90.5052.00	1
46	90.3857.00	1

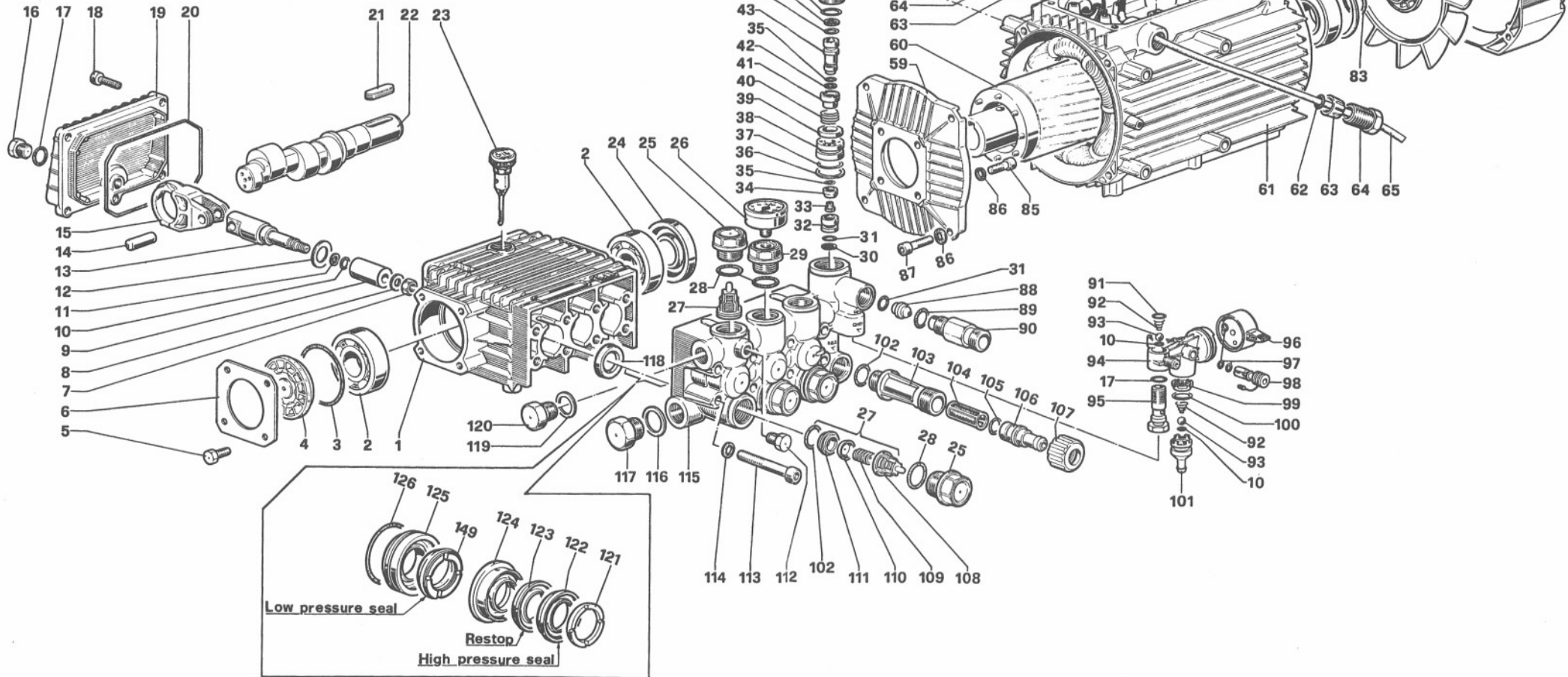
POS.	CODE CODICE	N. PCS.
47	36.3228.70	1
48	36.3233.70	1
49	94.7345.00	1
50	94.7436.00	1
51	36.3169.70	1
52	36.3185.70	1
53	90.3598.00	1
54	99.3054.00	1
55	92.2218.00	1
56	92.2935.00 optional	1
57	36.3186.70 optional	1
59	10.0501.22	1
60	43.3401.02	1
61	43.3201.02-220V 43.3203.02-230V-60Hz 43.3208.02-240V	1 1 1
62	90.4028.00	2
63	43.2128.51	2
64	43.2127.51	2
65	10.7269.01	1
67	93.5182.00-220÷240V	1
68	43.2120.51	1
69	43.2119.47	1
70	43.2113.51	1
71	99.1720.00	4
72	99.0744.00	4
73	99.1540.00	2
74	99.1515.00	1
75	96.6913.00	1
76	91.8372.00	1
77	90.0850.00	1
79	42.0300.51	1
80	43.0400.51	1
81	90.0655.00	1
82	99.1658.00	4
83	90.3863.00	1
85	99.1867.00	4
86	96.6938.00	8
87	99.1897.00	4
88	10.0076.66	1
89	90.3832.00	1
90	10.0147.70-M22	1
91	90.3582.00	1
92	94.8217.00	2
93	97.4782.00	2
94	36.3216.51	1
95	36.2563.70	1
96	36.3217.51	1
97	90.3570.00	3

POS.	CODE CODICE	N. PCS.
98	36.3220.51	1
99	36.3219.51	1
100	90.3831.00	1
101	36.3218.51	1
102	90.3841.00	7
103	36.3182.51	1
104	92.8925.00	1
105	90.3828.00	1
106	36.2569.51	1
107	92.9828.00	1
108	36.2025.51	6
109	94.7376.00	6
110	36.2001.76	6
111	36.2003.66	6
112	98.1966.00	1
113	99.3175.00	8
114	96.7014.00	8
115	44.1201.41 - TX10 130 - 951 44.1205.41 - TX12 100 - 954-957	1 1
116	96.7514.00	1
117	98.2176.00	1
118	90.1614.00	3
119	96.7380.00	1
120	98.2100.00	1
121	51.1000.51 Ø 15 44.1001.51 Ø 18	3 3
122	90.2620.00 Ø 15 90.2682.00 Ø 18	3 3
123	90.2622.00 Ø 15 90.2683.00 Ø 18	3 3
124	52.2166.70 Ø 15 44.2161.70 Ø 18	3 3
125	44.0800.70 Ø 15 44.0801.70 Ø 18	3 3
126	90.3612.00	3
127	42.2115.86	1
128	43.2118.51	1
130	93.5648.00	2
131	90.3889.00	2
132	96.7020.00	1
133	99.3144.00	1
134	10.7232.01	2
135	43.2124.51	1
149	90.2617.00 90.2684.00	3 3

PISTON - PISTONE Ø 15					
MODEL: TX10+130 - TX951					
KIT N.	KIT 88	KIT 89	KIT 90	KIT 125	KIT 130
Positions Included	122-123 149	124	121	125-126	121-122 123-124 125-126 149
Posizioni Include					
N. pcs.	3	3	6	3	1

PISTON - PISTONE Ø 18					
MODEL: TX12+100 - TX954 - TX957					
KIT N.	KIT 126	KIT 127	KIT 128	KIT 129	KIT 131
Positions Included	125-126	123-122 149	124	121	121-122 123-124 125-126 149
Posizioni Include					
N. pcs.	3	3	3	6	1

KIT N.	KIT 23	KIT 123	KIT 124	KIT 137	KIT 138
Positions Included	118	102-108 109-110 111 (27)	25-28	30-31-32 33-34-35 36-37-38 39-40-41 42-43-44 45	10-17-91 92-93-97 98-99 100-101
Posizioni Include					
N. pcs.	3	6	6	1	1



TX13-180 - 12-140 - 14-120 - 15-150 - 17-130 - 956 - 961

- LIST OF SPARE PARTS
 - LISTE DE PIÈCES DETACHEES
 - ERSATWTEILLISTE
 - LISTA DE REPUESTOS
 - NOMENCLATURA RICAMBI

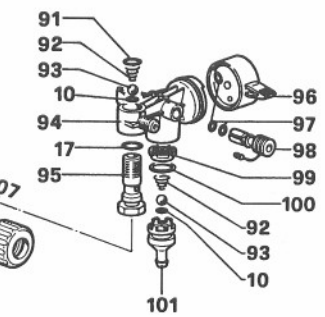
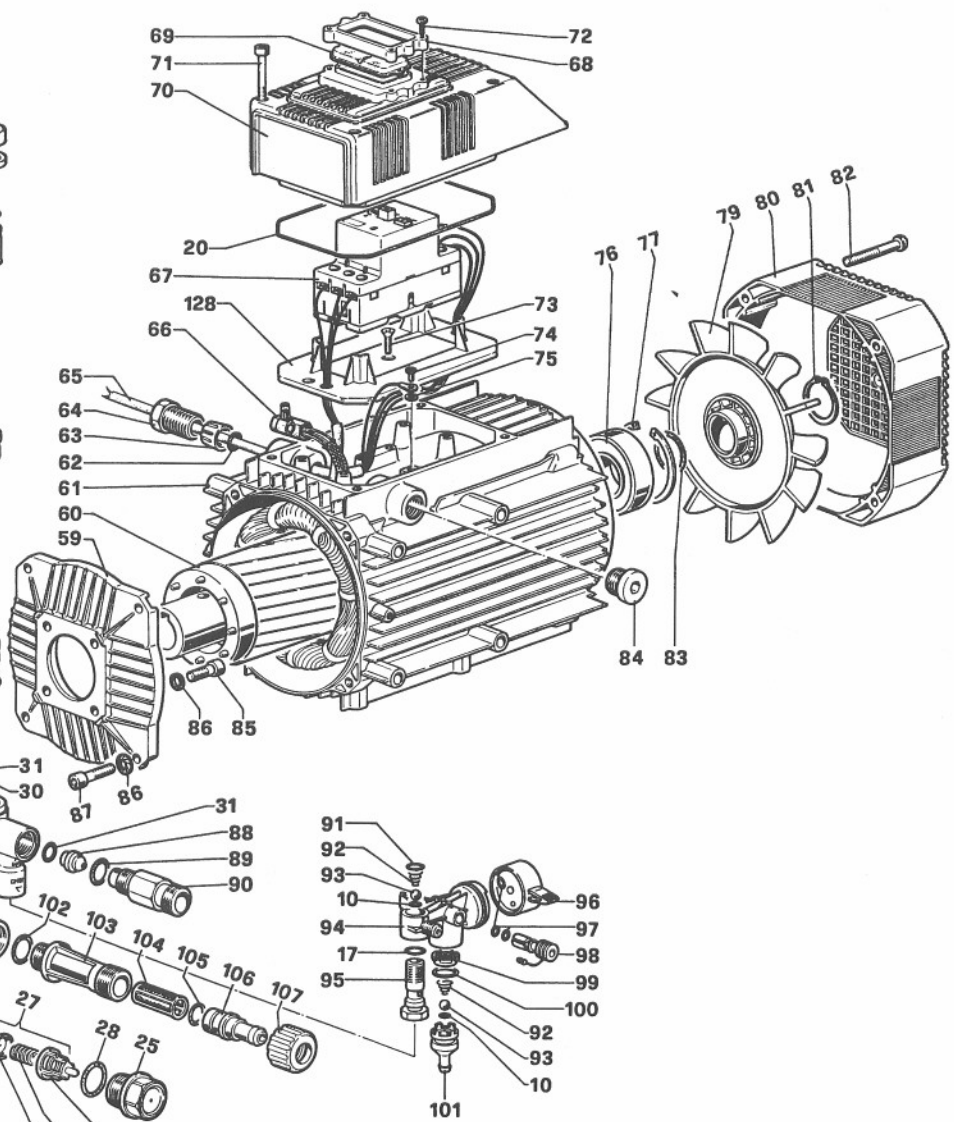
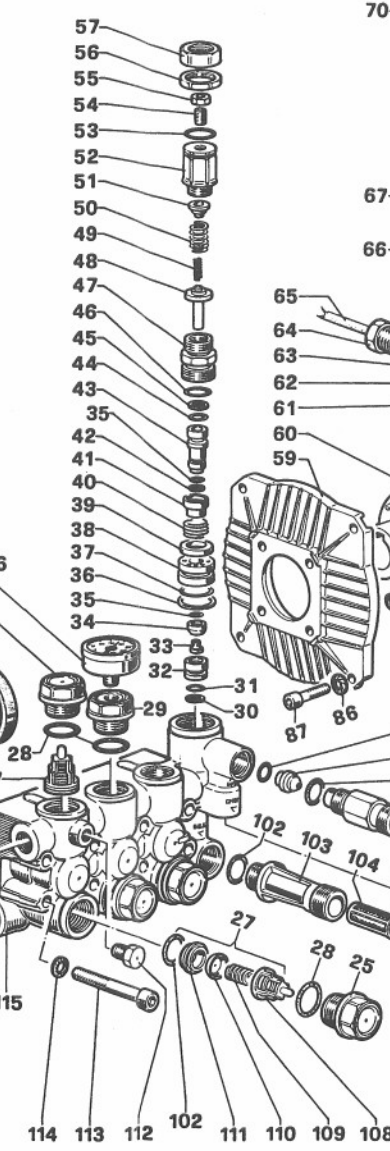
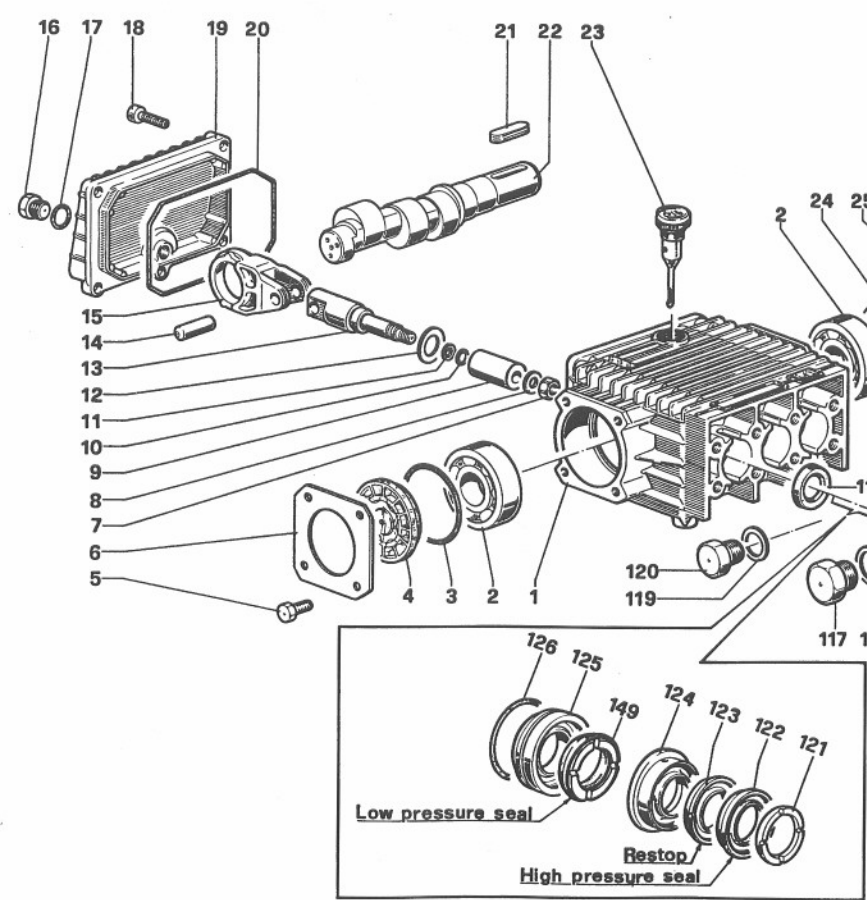
- ONDERDELENLJST
 - RESERVEDELSLISTA
 - RESERVEDELSLISTE
 - VARAOSALUETTELO
 - RESERVEDELSLISTE

POS.	CODE CODICE	N. PCS.	POS.	CODE CODICE	N. PCS.	POS.	CODE CODICE	N. PCS.
1	44.0100.22	1	47	36.3228.70	1	94	36.3216.51	1
2	91.8328.00	2	48	36.3233.70	1	95	36.2563.70	1
3	90.4097.00	1	49	94.7345.00	1	96	36.3217.51	1
4	44.2118.01	1	50	94.7436.00	1	97	90.3570.00	3
5	99.1807.00	4	51	36.3169.70	1	98	36.3220.51	1
6	50.1500.74	1	52	36.3185.70	1	99	36.3219.51	1
7	92.2216.00	3	53	90.3598.00	1	100	90.3831.00	1
8	44.2115.70	3	54	99.3054.00	1	101	36.3218.51	1
9	52.0400.09 - 015 44.0401.09 - 018	3	55	92.2218.00	1	102	90.3841.00	7
10	90.3572.00	5	56	92.2935.00 optional	1	103	36.3182.51	1
11	90.5022.00	3	57	36.3186.70 optional	1	104	92.8925.00	1
12	96.7350.00	3	59	10.0501.22	1	105	90.3828.00	1
13	44.0500.66	3	60	43.3430.02 - 14-120 - 12-140 43.3450.02 - 956 43.3460.02	1	106	36.2569.51	1
14	97.7340.00	3	61	43.3231.02 - 14-120 - 12-140 43.3268.02 - 961 43.3261.02	1	107	92.9828.00	1
15	44.0300.22	3	62	90.4028.00	1	108	36.2025.51	6
16	98.2041.00	1	63	43.2128.51	1	109	94.7376.00	6
17	90.3585.00	2	64	43.2127.51	1	110	36.2001.76	6
18	99.1837.00	5	65	10.7268.01	1	111	36.2003.66	6
19	44.1600.22	1	66	93.5790.00	1	112	98.1966.00	1
20	90.3920.00	2	67	93.5179.00-380-415V 93.5182.00-220-240V	1	113	99.3175.00	8
21	91.4892.00	1	68	43.2120.51	1	114	96.7014.00	8
22	44.0200.35 - 13-180 - 961 44.0203.35 - 15-150 12-140 - 956 44.0206.35 - 14-120 - 17-130	1	69	43.2119.47	1	115	44.1201.41 0 15 44.1205.41 0 18	1
23	98.2103.00	1	70	43.2113.51	1	116	96.7514.00	1
24	90.1641.00	1	71	99.1720.00	1	117	98.2176.00	1
25	98.2226.00	5	72	99.0744.00	4	118	90.1614.00	3
26	94.5824.00	1	73	99.1540.00	4	119	96.7380.00	1
27	36.7115.01	6	74	99.1515.00	5	120	98.2100.00	1
28	90.3847.00	6	75	96.6913.00	1	121	51.1000.51 0 15 44.1001.51 0 18	3
29	98.2227.00	1	76	91.8372.00	1	122	90.2620.00 0 15 90.2682.00 0 18	3
30	90.5065.00	1	77	90.0850.00	1	123	90.2622.00 0 15 90.2683.00 0 18	3
31	90.3822.00	2	78	42.0300.51	1	124	52.2166.70 0 15 44.2161.70 0 18	3
32	36.3164.66	1	79	43.0400.51	1	125	44.0800.70 0 15 44.0801.70 0 18	3
33	99.1509.00	1	80	90.0655.00	1	126	90.3612.00	3
34	36.3190.66	1	81	99.1658.00	4	128	43.2118.51	1
35	90.3575.00	2	82	90.3863.00	1	149	90.2617.00	3
36	90.5144.00	1	83	98.2173.00	1		90.2684.00	3
37	90.3600.00	1	84	99.1867.00	4			
38	36.3229.70	1	85	96.6938.00	8			
39	36.3231.51	1	86	99.1897.00	4			
40	94.7485.00	1	87	10.0076.66	1			
41	36.3230.70	1	88	90.3832.00	1			
42	90.5025.00	1	89	10.0147.70-M22	1			
43	36.3234.70	1	90	90.3582.00	1			
44	90.3820.00	1	91	94.8217.00	2			
45	90.5052.00	1	92	97.4782.00	2			
46	90.3857.00	1	93					

PISTON - PISTONE Ø 15					
MODEL: TX13•180 - TX15•150 - TX17•130 - TX961					
KIT N.	KIT 88	KIT 89	KIT 90	KIT 125	KIT 130
Positions Included	122 123 149	124	121	125-126	121-122 123-124 125-126 149
Posizioni Include					
N. pcs.	3	3	6	3	1

KIT N.	KIT 23	KIT 123	KIT 124	KIT 137	KIT 138
Positions Included	118	102-108 109-110 111 (27)	25-28	30-31-32 33-34-35 36-37-38 39-40-41 42-43-44 45	10-17-91 92-93-97 98-99 100-101
Posizioni Include					
N. pcs.	3	6	6	1	1

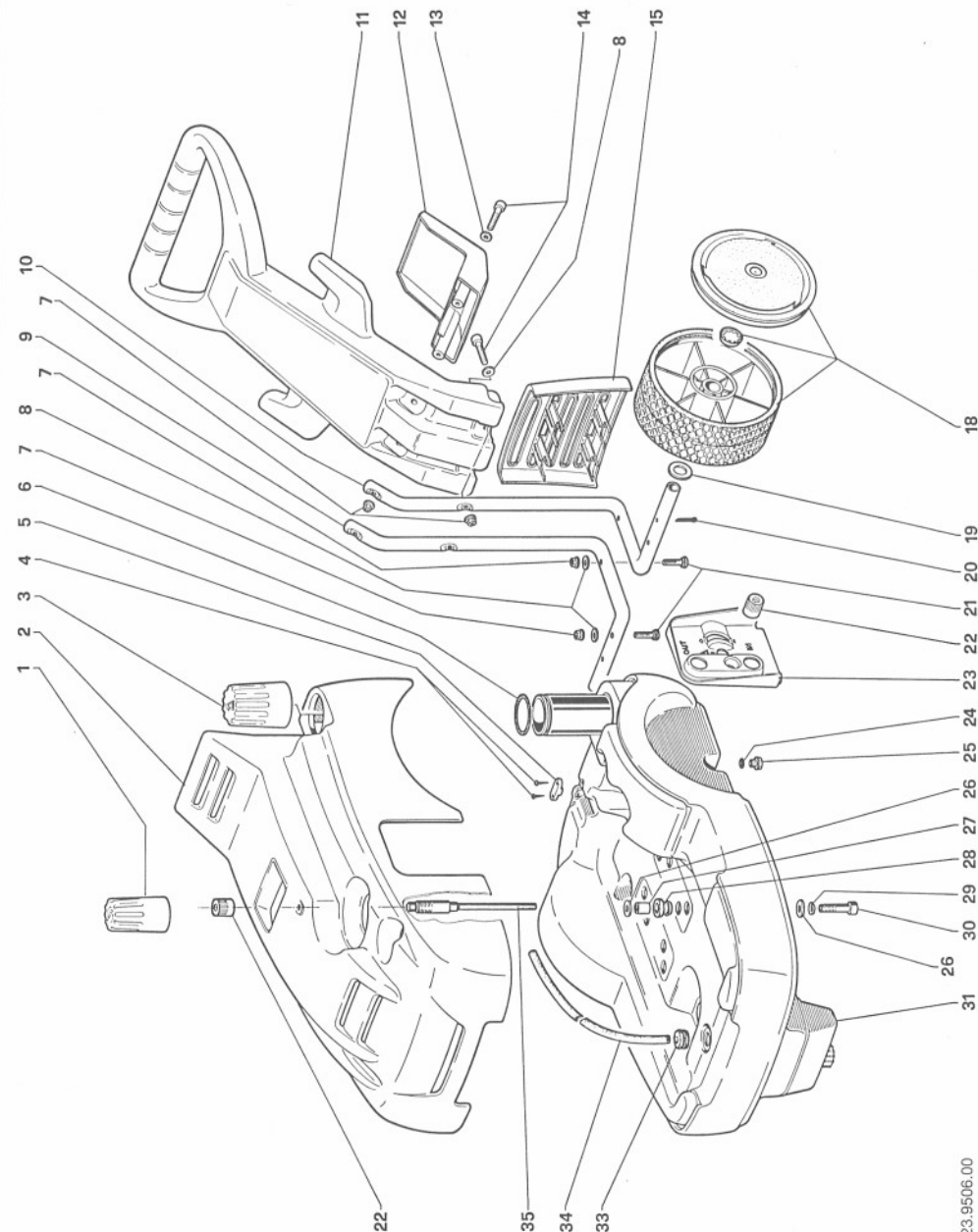
PISTON - PISTONE Ø 18					
MODEL: TX14•120 - TX956 - TX12•140					
KIT N.	KIT 126	KIT 127	KIT 128	KIT 129	KIT 131
Positions Included	125-126	123-122 149	124	121	121-122 123-124 125-126 149
Posizioni Include					
N. pcs.	3	3	3	6	1



T - TX

- LIST OF SPARE PARTS
- LISTE DE PIÈCES DÉTACHÉES
- ERSATZTEILLISTE
- LISTA DE REPUESTOS
- NOMENCLATURA RICAMBI
- ONDERDELENLIJST
- RESERVEDELSLISTA
- RESERVEDELSLISTE
- VARAOSALUETTELO
- RESERVEDELSLISTE

POS.	CODE CODICE	N. PCS.
1	36.3222.51 - T	1
	36.3221.51 - TX	1
2	23.0084.51 - T	1
	23.0083.51 - TX	1
3	23.0087.51	1
4	99.1312.00	2
5	23.0095.51	1
6	90.3889.00	1
7	92.2040.00	8
8	96.6962.00	6
9	23.0089.88	1
10	23.0088.88	1
11	23.0093.51	1
12	23.0102.51	1
13	96.6925.00	2
14	99.1943.00	4
15	23.0086.51	1
18	96.9327.00	2
19	96.7521.00	2
20	91.7129.00	2
21	99.1929.00	4
22	52.2122.51	2
23	23.0091.51 - T	1
	23.0090.51 - TX	1
24	90.3818.00	1
25	98.2041.00	1
26	96.7072.00	8
27	23.0099.70	4
28	23.0098.47	4
29	96.7016.00	4
30	99.3099.00 - T	4
	99.3129.00 - TX	4
31	23.0092.02	1
33	23.0101.47	1
34	10.0529.98	1
35	23.0127.02	1



PRESSURE REGULATOR - REG. DI PRESSIONE

KR 90T - KR 100T

KR 90T	KR 100T
MODEL	MODEL
T 8-90	T 10-100 T 11-120

- SPARE PARTS KITS
- KITS DE PIECES DETACHEES
- ERSATZTEILENKITS
- KITS DE REPUESTOS
- KIT RICAMBI

- ONDERDELENKITS
- RESERVEDELS KITS
- RESERVEDELS KITS
- VARAOSAT
- RESERVEDELER I KIT

KIT N.	KIT 99 (KR 90T) (KR 100T)	KIT 138
Positions included	2-4-5-7-8-9-10 12-13-15-16 21-39-42-47 48-53-54	15-25-26-27 28-29-30-31 32-34
Posizioni incluse		
N. pcs.	1	1

*** TAB. "A"

KR 90T	11	36.2572.70	Ø 2,25	1
	45	10.0307.51	Ø 1,8	1
KR 100T	11	36.2595.70	Ø 2,5	1
	45	10.0151.66	Ø 2	1

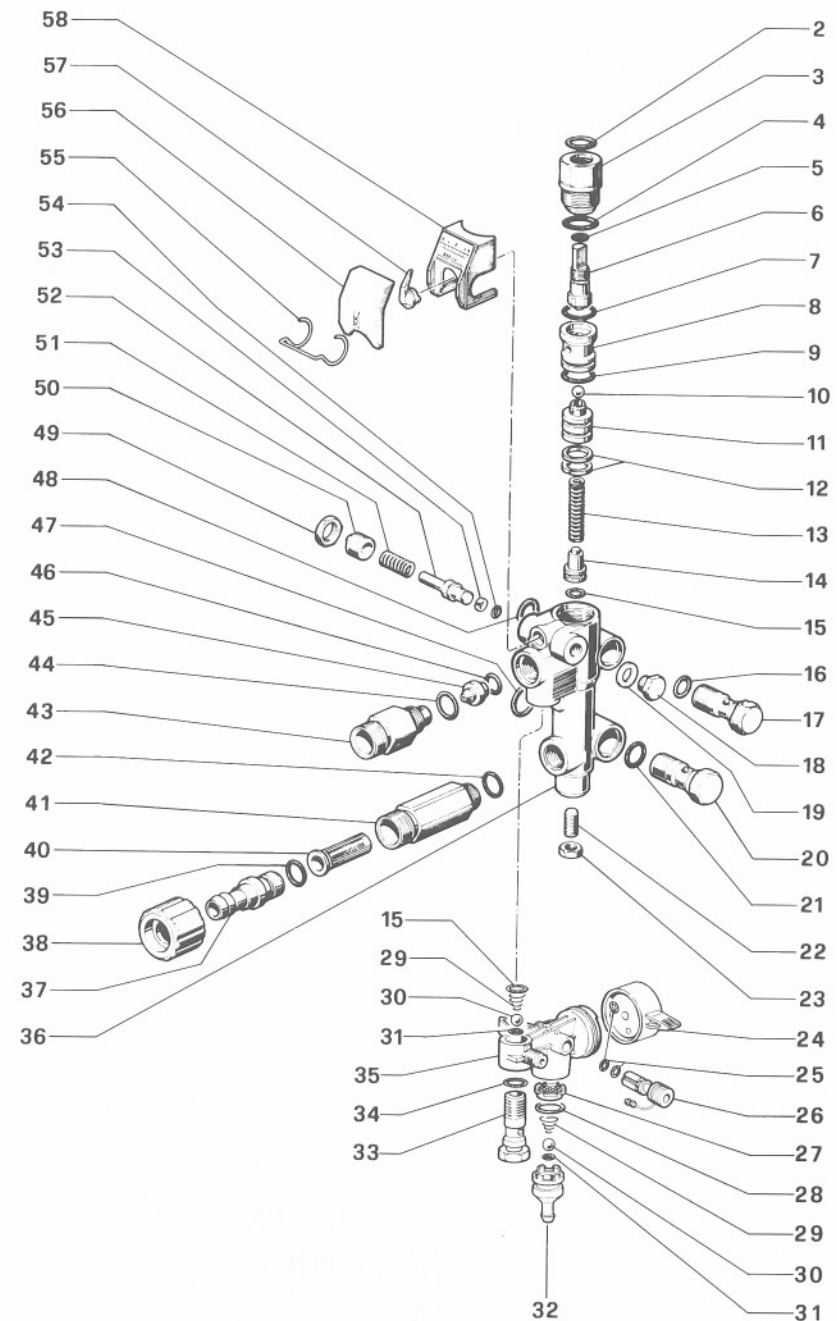
- LIST OF SPARE PARTS
- LISTE DE PIECES DETACHEES
- ERSATZTEILLISTE
- LISTA DE REPUESTOS
- NOMENCLATURA RICAMBI

- ONDERDELENLISTE
- RESERVEDELSLISTA
- RESERVEDELSLISTE
- VARAOSALUETTELO
- RESERVEDELSLISTE

POS.	CODE CODICE	N. PCS.
2	90.3835.00	1
3	36.2556.70	1
4	90.3847.00	1
5	90.3580.00	2
6	36.2574.02	1
7	90.3598.00	1
8	36.2554.66	1
9	90.3596.00	1
10	97.4802.00	1
11	***	
12	90.5080.00	2
13	94.7344.00	1
14	36.2552.70	1
15	90.3582.00	2
16	90.3820.00	1
17	36.2567.70	1
18	98.1966.00	1
19	96.7100.00	1
20	36.2568.70	1
21	90.3827.00	1
22	99.3054.00	1
23	92.2218.00	1

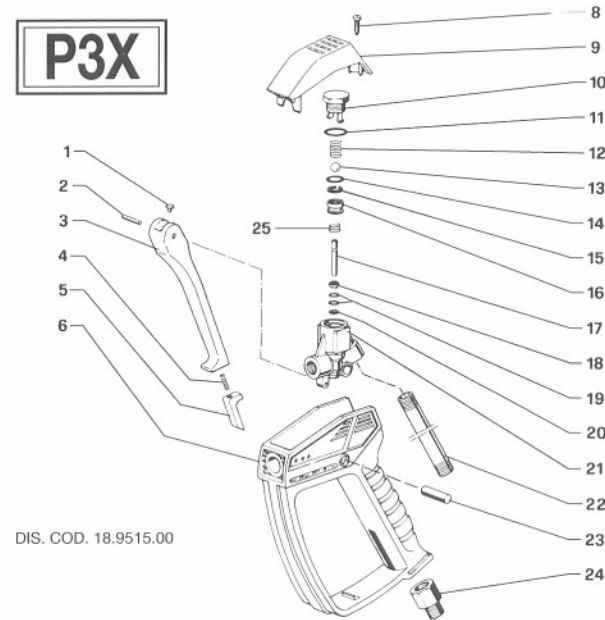
POS.	CODE CODICE	N. PCS.
24	36.3217.51	1
25	90.3570.00	3
26	36.3220.51	1
27	36.3219.51	1
28	90.3831.00	1
29	94.8217.00	2
30	97.4782.00	2
31	90.3572.00	2
32	36.3218.51	1
33	36.2563.70	1
34	90.3585.00	1
35	36.3216.51	1
36	36.2588.41	1
37	36.2569.51	1
38	10.0119.02	1
39	90.3828.00	1
40	92.8925.00	1
41	36.2560.70	1
42	36.2584.70	1
43	90.3591.00	1
44	10.0147.70	1
45	90.3832.00	1

POS.	CODE CODICE	N. PCS.
45	***	
46	90.3822.00	1
47	90.3839.00	1
48	90.3833.00	1
49	92.2492.00	1
50	36.2580.70	1
51	94.7338.00	1
52	36.2589.70	1
53	90.5004.00	1
54	90.3567.00	1
55	94.8718.00	1
56	36.2577.51	1
57	36.2578.51	1
58	36.2590.01	1



ACCESSORIES FOR TX SERIES

P3X



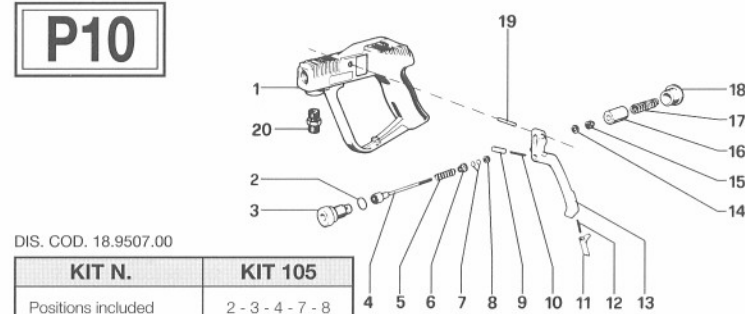
DIS. COD. 18.9515.00

POS.	CODE CODICE	N. PCS.
1	18.2082.64	1
2	97.6143.00	1
3	18.2079.51	1
4	94.7303.00	1
5	18.2050.51	1
6	18.2080.51	1
8	99.0845.00	1
9	18.2081.51	1
10	18.2075.70	1
11	90.3593.00	1
12	94.7342.00	1
13	97.4810.00	1
14	90.3585.00	1
15	90.5068.00	1
16	18.2074.66	1
17	18.2076.66	1
18	18.2077.70	1
19	90.3568.00	2
20	90.5007.00	1
21	18.2073.41	1
22	18.2083.89	1
23	97.6200.00	1
24	ZINA 1/4F	1
25	94.7351.00	1

KIT N.	KIT 116
Positions included Posizioni incluse	10 - 11 - 12 - 13 14 - 15 - 16
N. pcs.	1

ACCESSORIES FOR T SERIES

P10



DIS. COD. 18.9507.00

KIT N.	KIT 105
Positions included Posizioni incluse	2 - 3 - 4 - 7 - 8
N. pcs.	1

POS.	CODE CODICE	N. PCS.
1	18.2056.02	1
2	90.3841.00	1
3	18.2059.02	1
4	18.2071.02	1
5	94.7378.00	1
6	18.2042.70	1
7	90.3568.00	2
8	90.5007.00	1
9	18.2053.70	1
10	94.7305.00	1
11	18.2050.51	1
12	94.7303.00	1
13	18.2048.51	1
14	96.6840.00	1
15	92.1935.00	1
16	18.2052.70	1
17	94.7414.00	1
18	98.2192.00	1
19	97.6155.00	1
20	95.2840.00	1

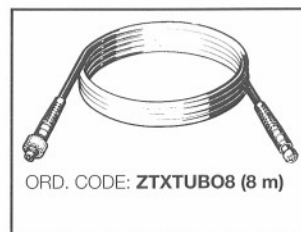
HIGH PRESSURE HOSE - TUYAU HAUTE PRESSION - HOCHDRUCKSCHLAUCH - TUBO DE ALTA PRESSION - TUBO ALTA PRESSIONE



ORD. CODE: ZTUBINA (8 m)
ZTUBIN16 (16 m)

**FOR T
SERIES**

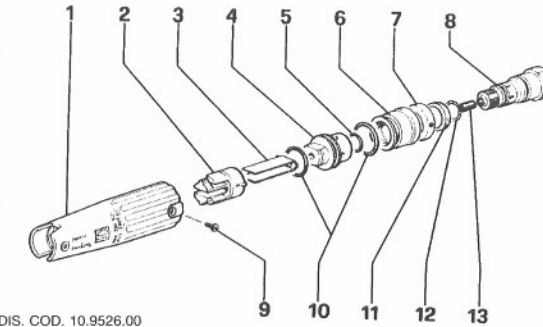
**FOR TX
SERIES**



ORD. CODE: ZTXTUBO8 (8 m)

ACCESSORIES FOR T AND TX SERIES

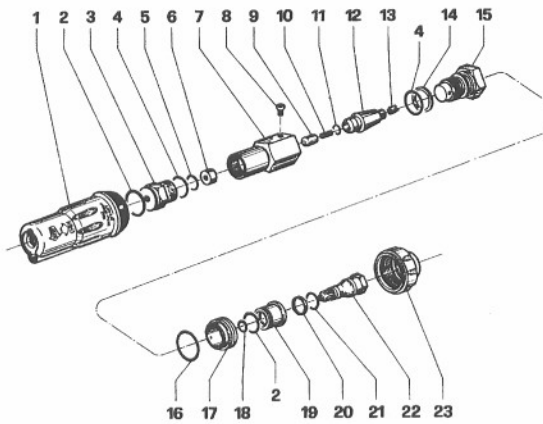
"MULTIREG99"



DIS. COD. 10.9526.00

POS.	CODE CODICE	N. PCS.	POSITION 13	
			SERIES	CODE
1	10.0483.51	1	T8-90	135
2	10.0299.51	1	T10-100	145
3	10.1304.76	1	T11-120	150
4	10.0486.70	1	TX10-130	130
5	90.3819.00	1	TX12-100	150
6	10.0485.70	1	TX12-140	140
7	10.0496.70	1	TX14-120	155
8	10.0484.70	1	TX13-180	135
9	99.0702.00	2	TX15-150	155
10	90.3845.00	2	TX17-130	175
11	90.2680.00	1	TX951	145
12	90.3828.00	1	TX954	165
			TX957	180
			TX956-TX961	155

"ROTOTEK"



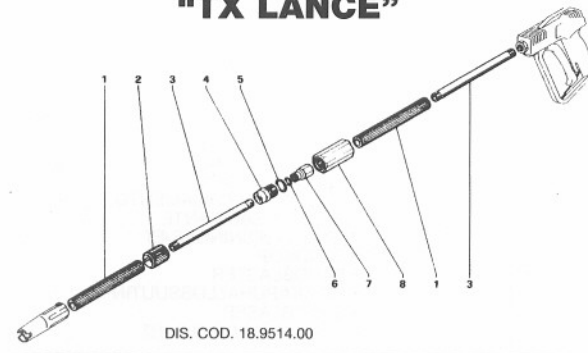
DIS. COD. 10.9545.00

POS.	CODE CODICE	N. PCS.	POS.	CODE CODICE	N. PCS.
1	10.0568.51	1	13	10.0453.51	1
2	90.3845.00	2	14	90.5090.00	1
3	10.0450.70	1	15	Tab. "A"	
4	90.3835.00	2	16	90.3867.00	1
5	90.3585.00	1	17	10.0567.51	1
6	10.0455.09	1	18	90.3819.00	1
7	10.0451.70	1	19	10.0485.70	1
8	99.0702.00	1	20	90.2680.00	1
9	10.0456.09	1	21	90.3828.00	1
10	Tab. "A"		22	10.0484.70	1
11	90.3574.00	1	23	10.0566.51	1
12	10.0564.02	1			

TAB. "A"

SERIES	POS.	SERIES	N. PCS.
T8-90	10	140	1
TX10.130 - TX13.180	15	10.0472.70	1
T10-100	10	155	1
	15	10.0471.70	1
TX12.140	10	150	1
TX12.100 - TX951	15	10.0454.70	1
T11.120 - TX14.120	10	160	1
TX15.150 - TX956 - TX961	15	10.0471.70	1
TX17.130	10	175	1
TX954 - TX957	15	10.0471.70	1

"TX LANCE"



DIS. COD. 18.9514.00

POS.	CODE CODICE	N. PCS.
1	18.0126.98	2
2	10.0542.51	1
3	18.0127.89	2
4	10.0120.70	1
5	90.3845.00	1
6	90.3820.00	1
7	10.0534.70	1
8	10.0532.02	1

BRUSHKIT



ORD. CODE: **ZTXBRUSH**

- ROTATING BRUSH
- BROSSSE ROTATIVE
- DREHBARE BÜRSTSE
- CEPILLO ROTATIVO
- ESCOVA ROTATIVA
- SPAZZOLA ROTANTE
- ROTERENDE BØRSTSE
- ROTERENDE BØRSTSE
- ROTERENDE BØRSTSE
- PYÖRIVÄ HARJA
- ROTERENDE BØRSTSE
- ΠΕΡΙΣΤΡΕΦΟΜΕΝΗ ΒΟΥΡΤΣΑ

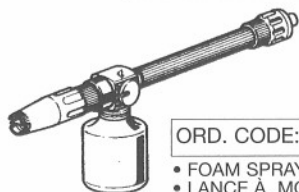
ROTOTEK KIT



ORD. CODE: **ZTX ROK**

- MULTIFUNCTION ROTATING NOZZLE
- BUSE ROTATIVE MULTIFONCTION
- DREHBARE MEHRZWECKDÜSE
- BOQUILLA ROTATIVA MULTIFUNCIÓN
- BICO ROTATIVO MULTIFUNÇÃO
- UGELLO ROTANTE MULTIFUNZIONE
- ROTERENDE DYSE MED FLERE FUNKTIONER
- MULTIFUNCTIONEEL ROTEREND MONDSTUK
- ROTERENDE MUNSTYCKE
- PYÖRIVÄ MONITOIMISUUTIN
- ROTERENDE MUNNSTYCKE
- ΠΟΛΥΛΕΙΤΟΥΡΓΙΚΟ ΠΕΡΙΣΤΡΕΦΟΜΕΝΟ ΑΚΡΟΦΥΣΙΟ

FOAMKIT



ORD. CODE: **ZTXFOAM**

- FOAM SPRAYER
- LANCE À MOUSSE
- SCHAUMLANZE
- LANZA PARA ESPUMA
- LANÇA-ESPUMA
- LANCIA SCHIUMA
- SKUMLANSE
- SCHUIMTOEVOERDER
- SKUMLANS
- VAAHTOSUUTIN
- SKUMSPRØYTE
- ΠΙΣΤΟΛΕΤΟ ΑΦΡΟΥ

INTERFOAM



ORD. CODE: **ZDET**

- FOAM DETERGENT
- DÉTERGENT MOUSSANT
- SCHAUMDETERGENT
- DETERGENTE ESPUMÓGENO
- DETERGENTE ESPUMANTE
- DETERGENTE SCHIUMOGENO
- SKUMVASKEMIDDEL
- SCHUIMEND REINIGINGSMIDDEL
- SKUMSCHAMPO
- VAAHTOMAINEN PESUAINSE
- SKUMVASKEMIDDEL
- ΑΦΡΩΔΕΣ ΑΠΟΡΡΥΠΑΝΤΙΚΟ

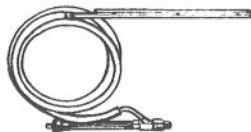
DRAINKIT



ORD. CODE: **ZTXDRAIN**

- DRAIN CLEANING KIT
- JEU DE NETTOYAGE DES TUBES
- ROHRREINIGUNGSKIT
- KIT DE LIMPIEZA DE TUBERÍAS
- ESTOJO LIMPEZA TUBAGENS
- KIT PULIZIA TUBAZIONI
- RØRRENSSESÆT
- REINIGINGSSET LEIDINGEN
- RØRRENSNINGSSSET
- LETKUJEN PESUTARVIKKEET
- RØRRENGJØRINGSUTSTYR
- ΚΙΤ ΚΑΘΑΡΙΣΜΟΥ ΣΩΛΗΝΩΣΕΩΝ

SANDKIT



ORD. CODE: **ZTXSAND**

- SAND-BLASTING KIT
- KIT DE SABLAGE
- SANDSTRAHLKIT
- KIT ARENADOR
- CABEÇA DE AREIAMENTO
- TESTINA SABBIANTE
- SANDBLÆSNINGSSÆT
- ZANDKOP
- SANDBLÅSTER
- HIEKKAPUHALLUSSUUTIN
- SANDBLÅSER
- ΚΕΦΑΛΗ ΑΜΜΟΒΟΛΗΣ