

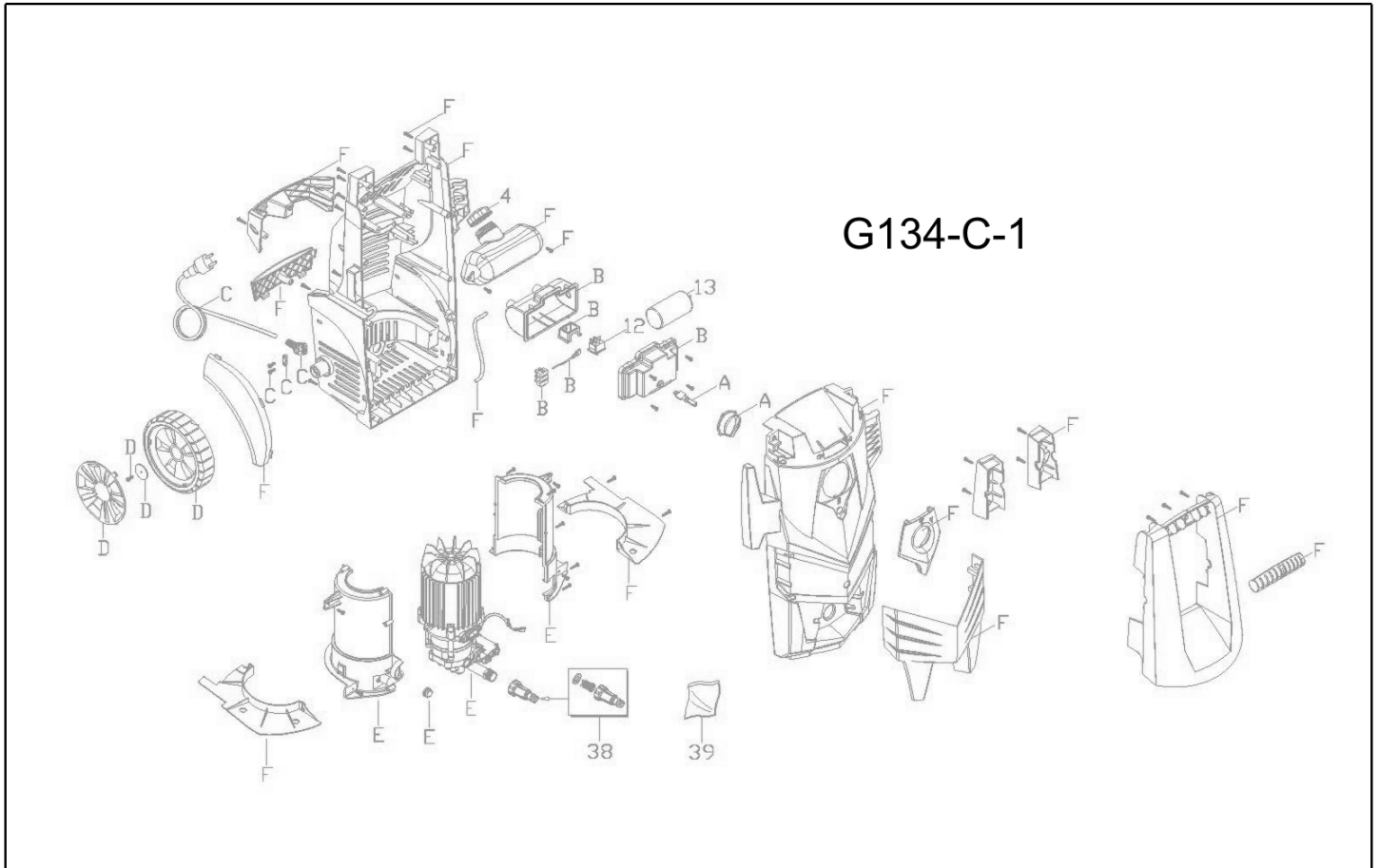


**IPC**

**Spare parts list**

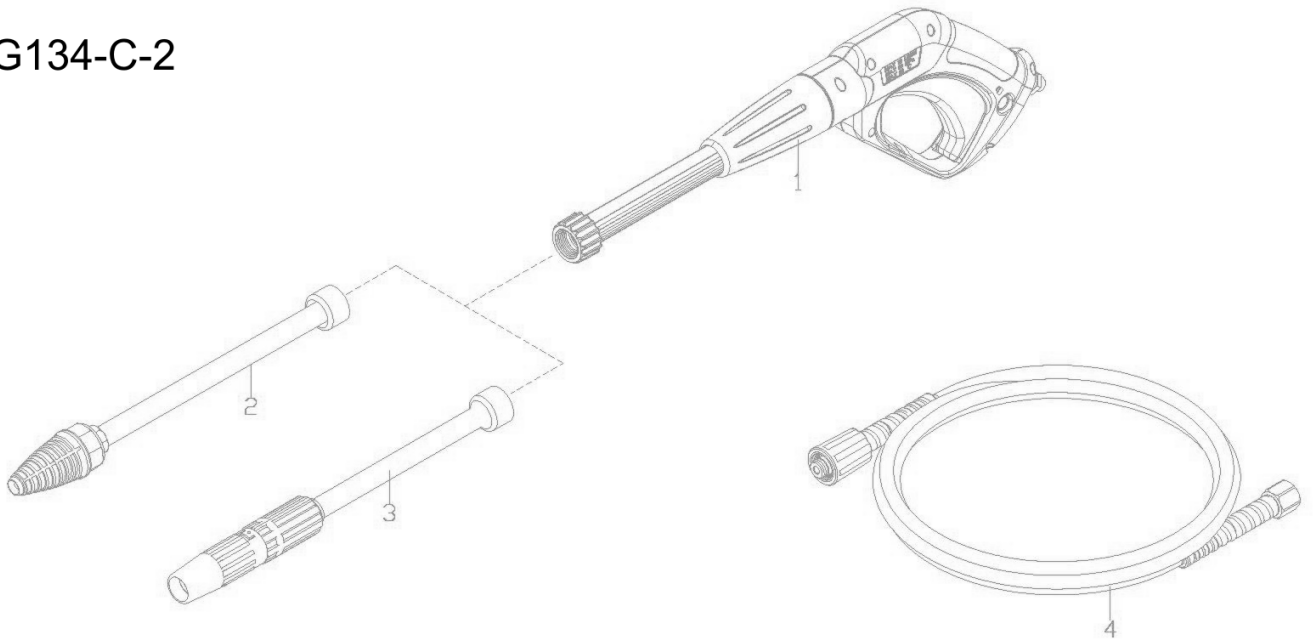
Ref: IDAF94294

Model: H.P. CLEANER G134-C I1207A 230/50 PRT

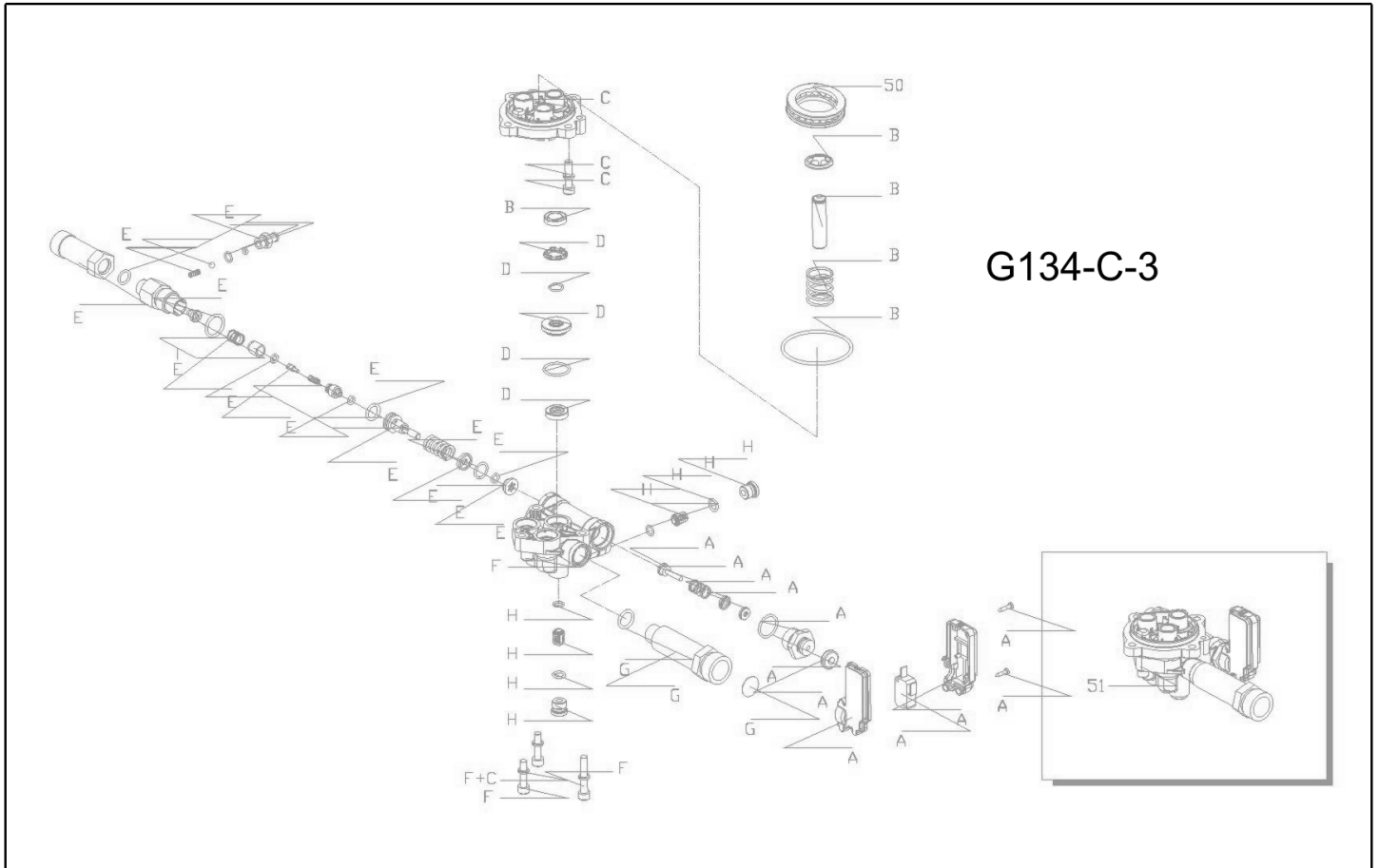


Ref. K	Part n.	Customer part n.	Description	Quantity	Validity		Price
					From	To	
A	KTRI40352		KNOB INT. G134-C	1,00			--
B	KTRI40354		CONTROL BOARD G134-C	1,00			--
C	KTRI40349		CABLE G134-C	1,00			--
D	KTRI40339		KIT P 1- 27 WHEEL D.160	1,00			--
E	PPEL40068		GROUP G137 1207A M 230/50	1,00			--
F	KTRI40373		KIT P 24- 21 COVER G134-C	1,00			--
0004	MPVR40793		TANK CAP PW-C23 BK.	1,00			--
0012	MECI40037		SWITCH G109-C	1,00			--
0013	MECO40024		CAPACITOR G134-C	1,00			--
0038	RCVR40174		SOCKET C10 3/4 F +FILT.	1,00			--
0039	PLDC94346		INSTR.MANUAL PW-C22 26L IPC	1,00			--

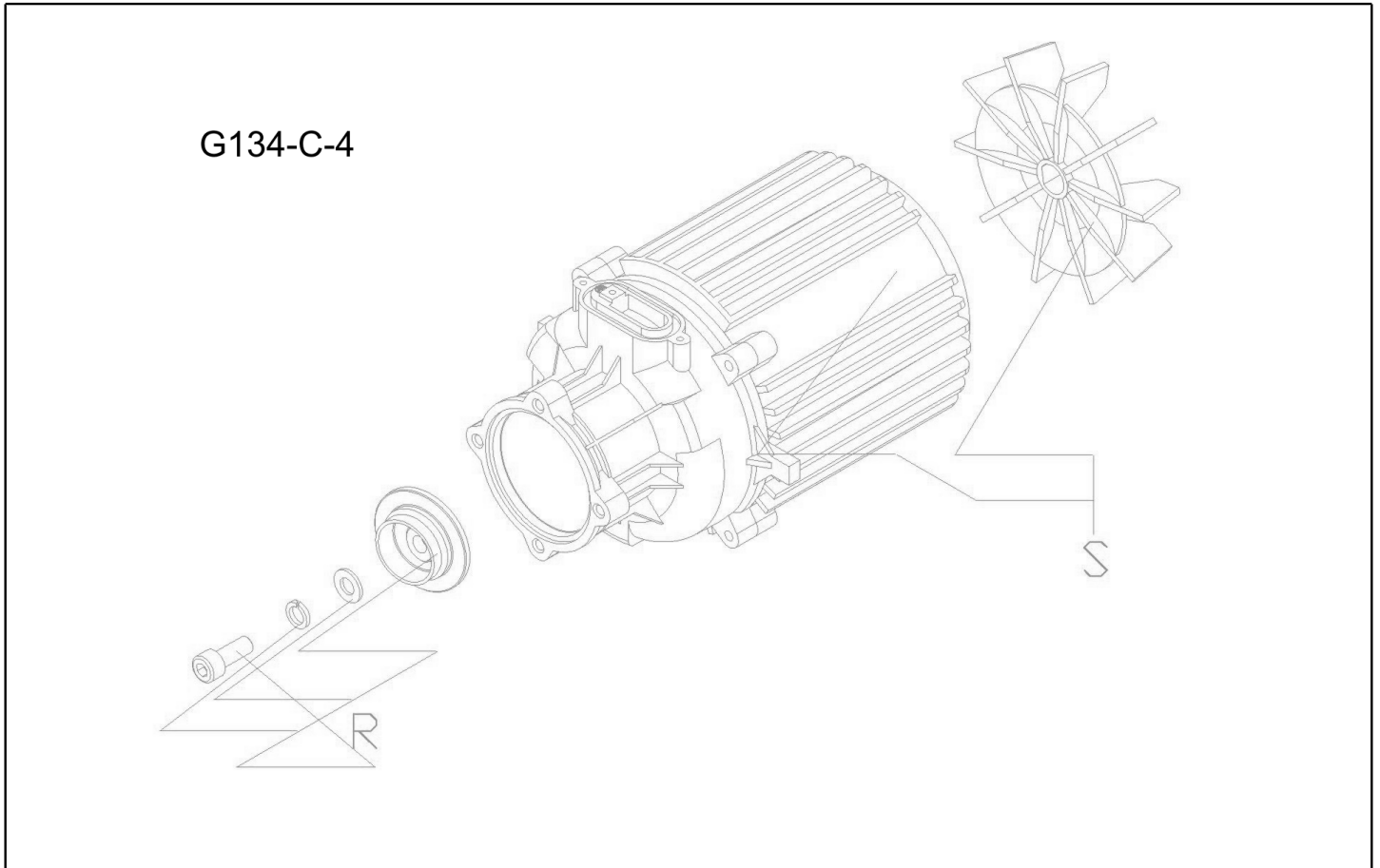
G134-C-2



Ref. K	Part n.	Customer part n.	Description	Quantity	Validity		Price
					From	To	
0001	IPPR40019		GUN AG375	1,00			--
0002	LCPR40125		LANCEROTOPOWER 1,15	1,00			--
0003	LCPR40120		LANCE M.REG 0,95	1,00			--
0004	TBAP40180		H.P. HOSE TEX MT 6	1,00			--



Ref. K	Part n.	Customer part n.	Description	Quantity	Validity		Price
					From	To	
A	MEPF40033		PRESSURE SWITCH TSS G134-C	1,00			--
B	KTRI40340		KIT P 15-228 D.12	1,00			--
C	KTRI40357		KIT P 15-235 GUIDA PISTONI	1,00			--
D	KTRI40360		KIT P 15-237 TENUTE D.12	1,00			--
E	KTRI40363		KIT P 14-109 BY-PASS G134-C	1,00			--
F	KTRI40369		KIT P 15-240 HEAD G134-C	1,00			--
G	KTRI40376		KIT P 15-241 RACC.ASP. G134-C	1,00			--
H	KTRI40346		KIT P 15-231 VALVOLINE+TAP.	1,00			--
0050	CUVR40021		ROLLER BEARING G134-C	1,00			--
0051	PPAP40121		PUMP G134 PREM.	1,00			--



Ref. K	Part n.	Customer part n.	Description	Quantity	Validity		Price
					From	To	
R	KTRI40378		KIT P 15-246 G149-CP	1,00			--
S	MOMO40065		1PH MOTOR G149-C 230-50	1,00			--