



**IPC**

**Spare parts list**

Ref: ASID01200

Cust.ref: ASID01200

Model: VACUUM CLEANER PLANET 1/50 OPT

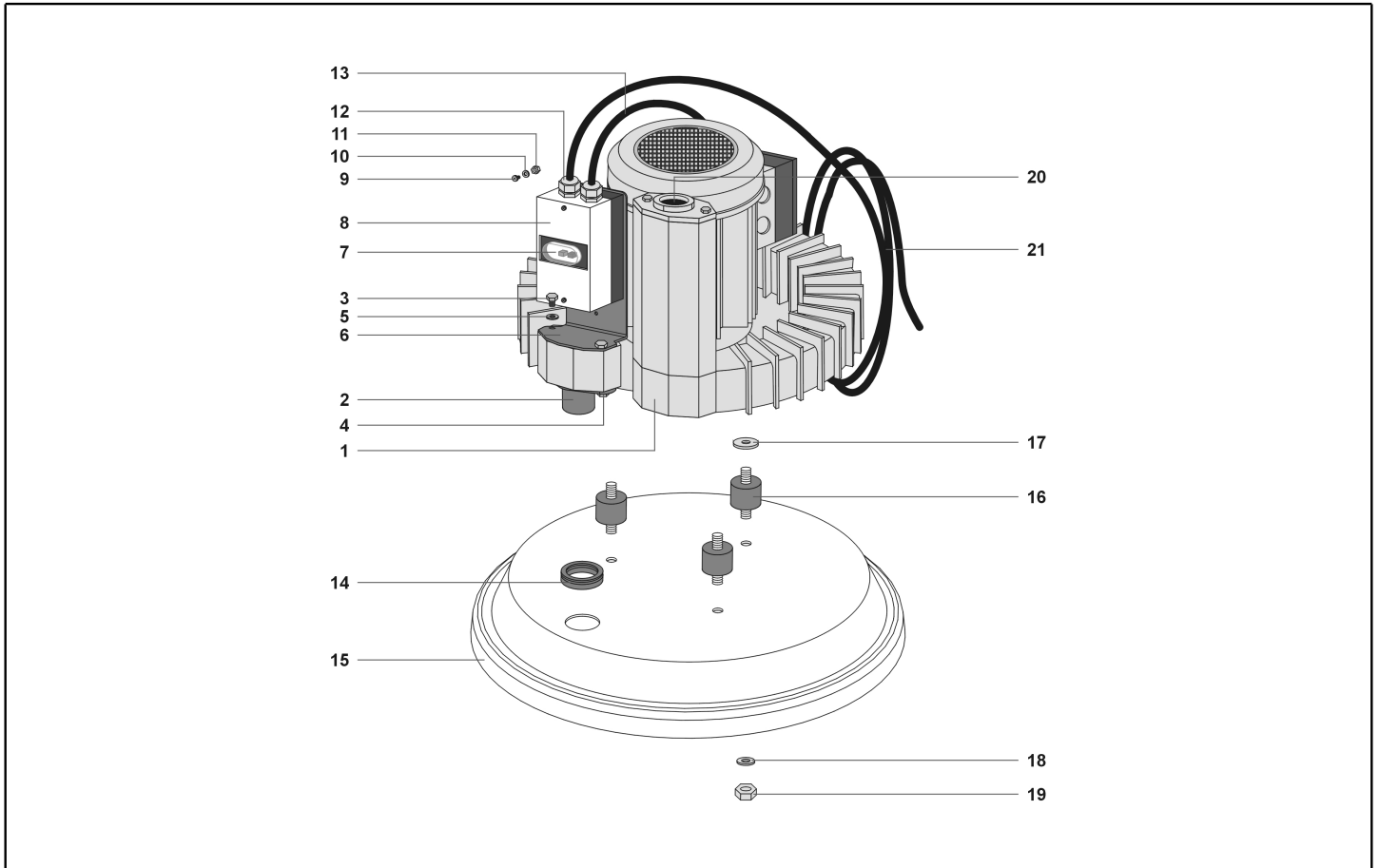
Cust.model: PLANET 1/50 OPT



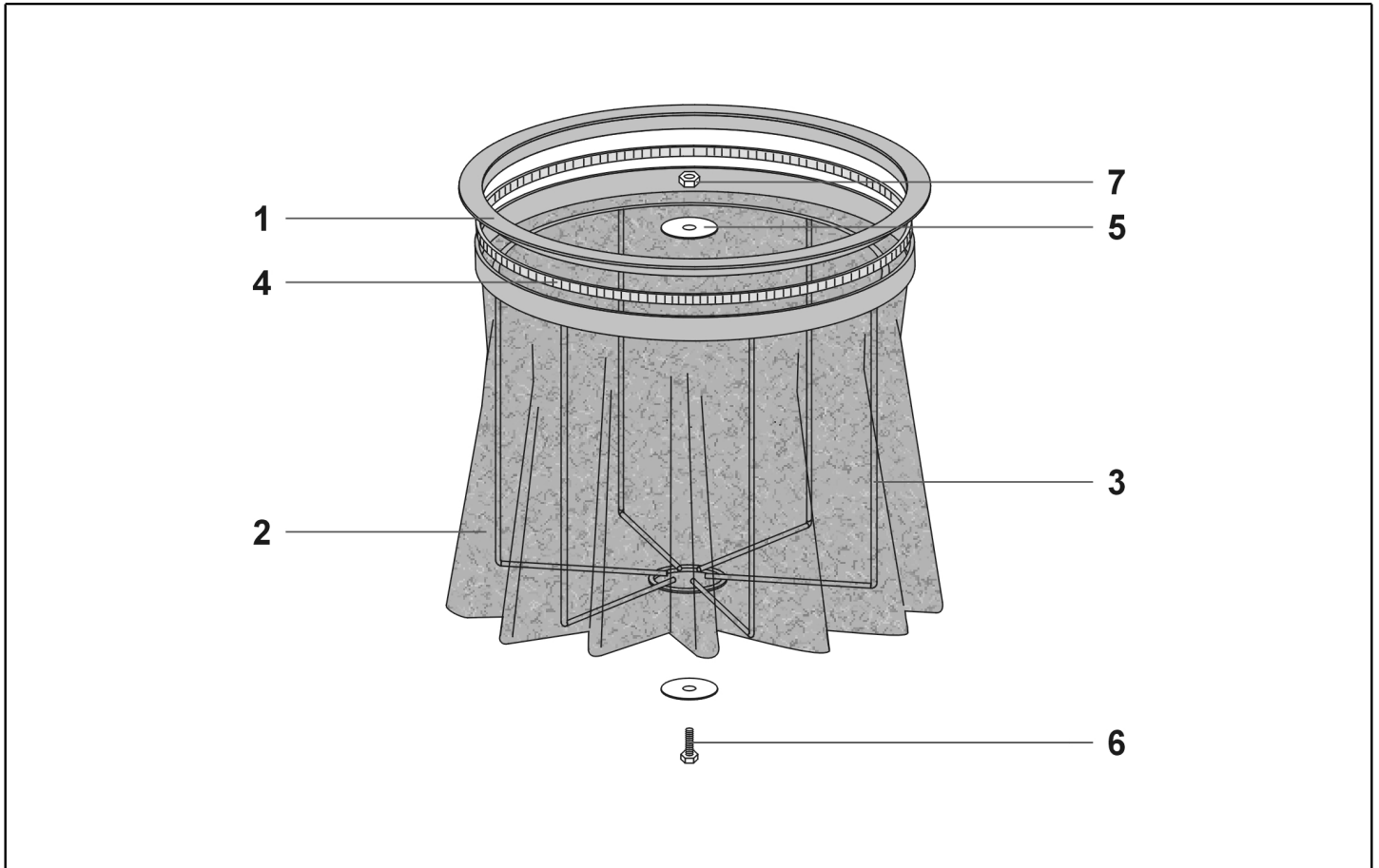
IPC Integrated Professional Cleaning

**IPC Soteco**

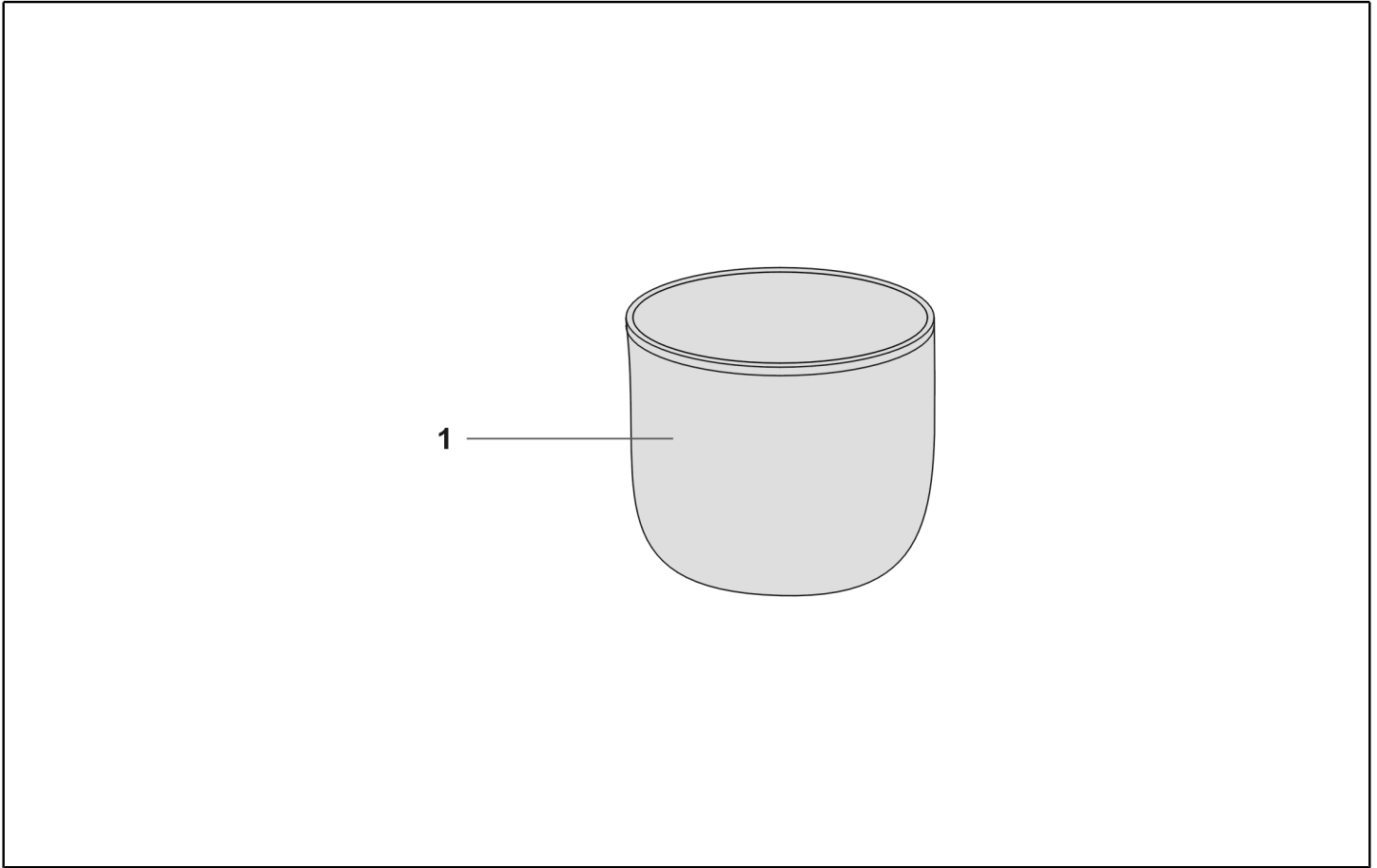
| Ref. K | Part n.   | Part n. 2 | Description                        | Quantity | Validity   |    | Price |
|--------|-----------|-----------|------------------------------------|----------|------------|----|-------|
|        |           |           |                                    |          | From       | To |       |
| 0001   | PMTA05342 |           | HEAD PLANET 152                    | 1,00     |            |    | --    |
| 0002   | FTDP88585 |           | KIT RING+FIL.+CILINDER V600M       | 1,00     |            |    | --    |
| 0003   | FTDP00223 |           | PCARBON FILTER 400/600 H=580 L=640 | 1,00     | 13/02/2017 |    | --    |
| 0004   | PMFU02648 |           | TANK DEC.600 OPTIM BOCC.ALL. C     | 1,00     |            |    | --    |
| 0005   | PMFU00173 |           | TANK 600 OPTIM                     | 1,00     |            |    | --    |
| 0006   | CARR01804 |           | TROLLEY OPTIM 600 SMALL            | 1,00     |            |    | --    |



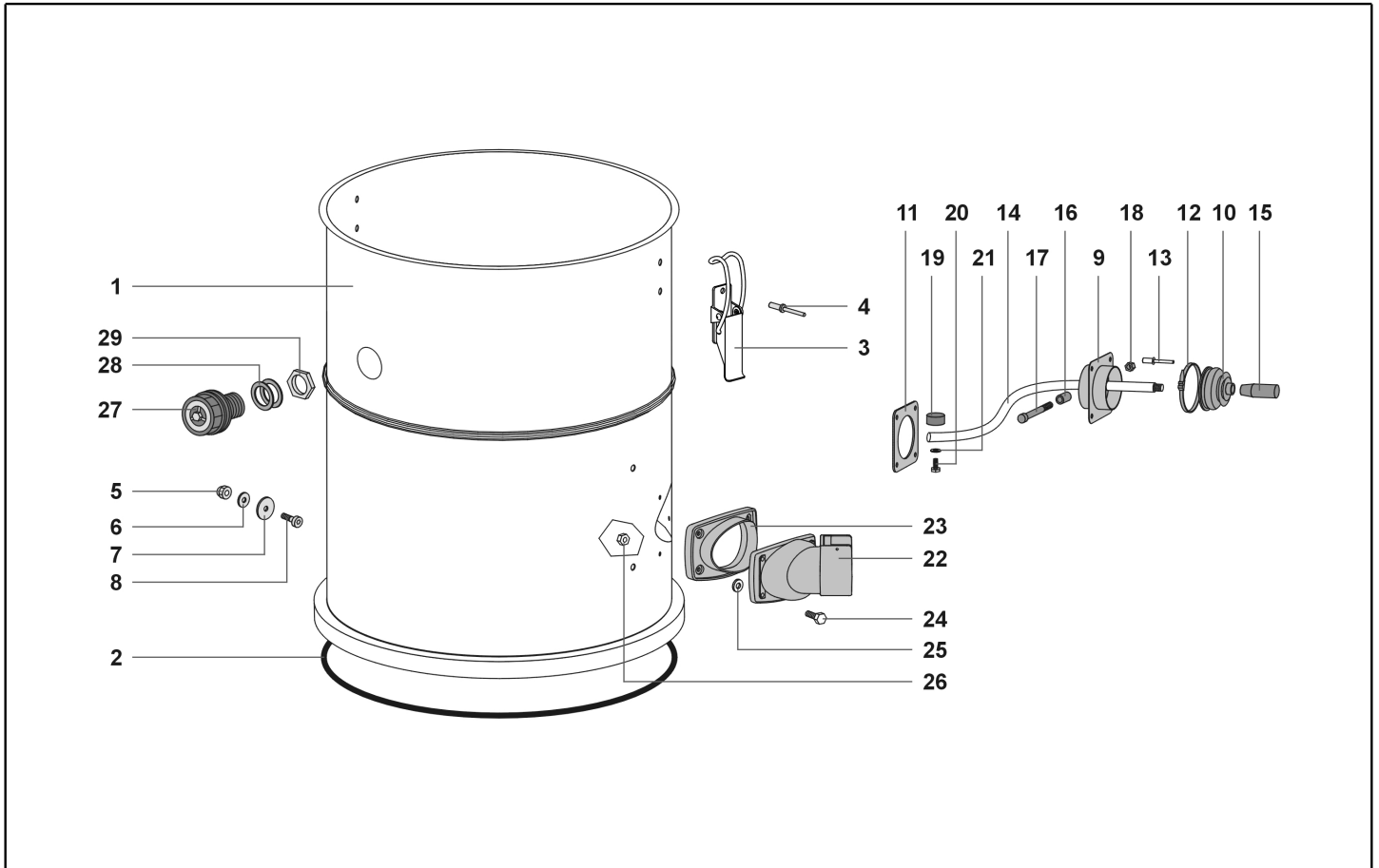
| Ref. K | Part n.   | Part n. 2 | Description                        | Quantity | Validity |    | Price |
|--------|-----------|-----------|------------------------------------|----------|----------|----|-------|
|        |           |           |                                    |          | From     | To |       |
| *      | MECB01717 |           | CONN.WIRE M.80-G/V-8,2-8,2         | 1,00     |          |    | --    |
| 0001   | TUVR00062 |           | TURBINE 1,5KW MON. FRONTALE        | 1,00     |          |    | --    |
| 0002   | LAFN08712 |           | CONNECTOR ASP.152                  | 1,00     |          |    | --    |
| 0003   | VTVT72063 |           | BOLT M 8X16 UNI 5739               | 2,00     |          |    | --    |
| 0004   | VTVT01028 |           | SCREW TE M 8X25 UNI 5739           | 2,00     |          |    | --    |
| 0005   | VTRS00396 |           | WASHER M 8 UNI 6592                | 4,00     |          |    | --    |
| 0006   | LAFN08709 |           | SUPPORT COMANDI PLANET 151 ATEX    | 1,00     |          |    | --    |
| 0007   | MEC18988  |           | THERMAL SWITCH 6,3-10A             | 1,00     |          |    | --    |
| 0008   | MEVR89097 |           | BOX WALL CASE IP55                 | 1,00     |          |    | --    |
| 0009   | VTVT01228 |           | SCREW TE M 4X10 UNI 5739           | 2,00     |          |    | --    |
| 0010   | VTRS00393 |           | TOOTHED WASHER M4 UNI 8842         | 2,00     |          |    | --    |
| 0011   | VTDD00232 |           | NUT M 4 UNI 5588                   | 2,00     |          |    | --    |
| 0012   | MEVR01867 |           | CABLE CLAMP PG16 SHORT W/O/NUT     | 2,00     |          |    | --    |
| 0013   | MECB01134 |           | POWER CORD 3X2,5 AL MT HAR-H05VV-F | 0,75     |          |    | --    |
| 0014   | MEVR40039 |           | CYCLON 300/500 GUIDING SLIT        | 1,00     |          |    | --    |
| 0015   | PMVR03138 |           | COVER PLANET 152 C/GUARN.          | 1,00     |          |    | --    |
| 0016   | ABGO00058 |           | ANTIVIB.FOOT D.40 H.30 2M8/18      | 3,00     |          |    | --    |
| 0017   | VTVR72041 |           | WASHER 8X32 UNI6593                | 3,00     |          |    | --    |
| 0018   | VTDD00225 |           | SELF-LOCJ.NUT M 8 SMALL UNI 7474   | 3,00     |          |    | --    |
| 0019   | VTRS00396 |           | WASHER M 8 UNI 6592                | 3,00     |          |    | --    |
| 0020   | FTDP00639 |           | SHAPED DISC RETE FINE SILENZIAT.   | 1,00     |          |    | --    |
| 0021   | MECB01175 |           | POWER CORD 3X2,5 8,5M W/O/PLUG     | 1,00     |          |    | --    |



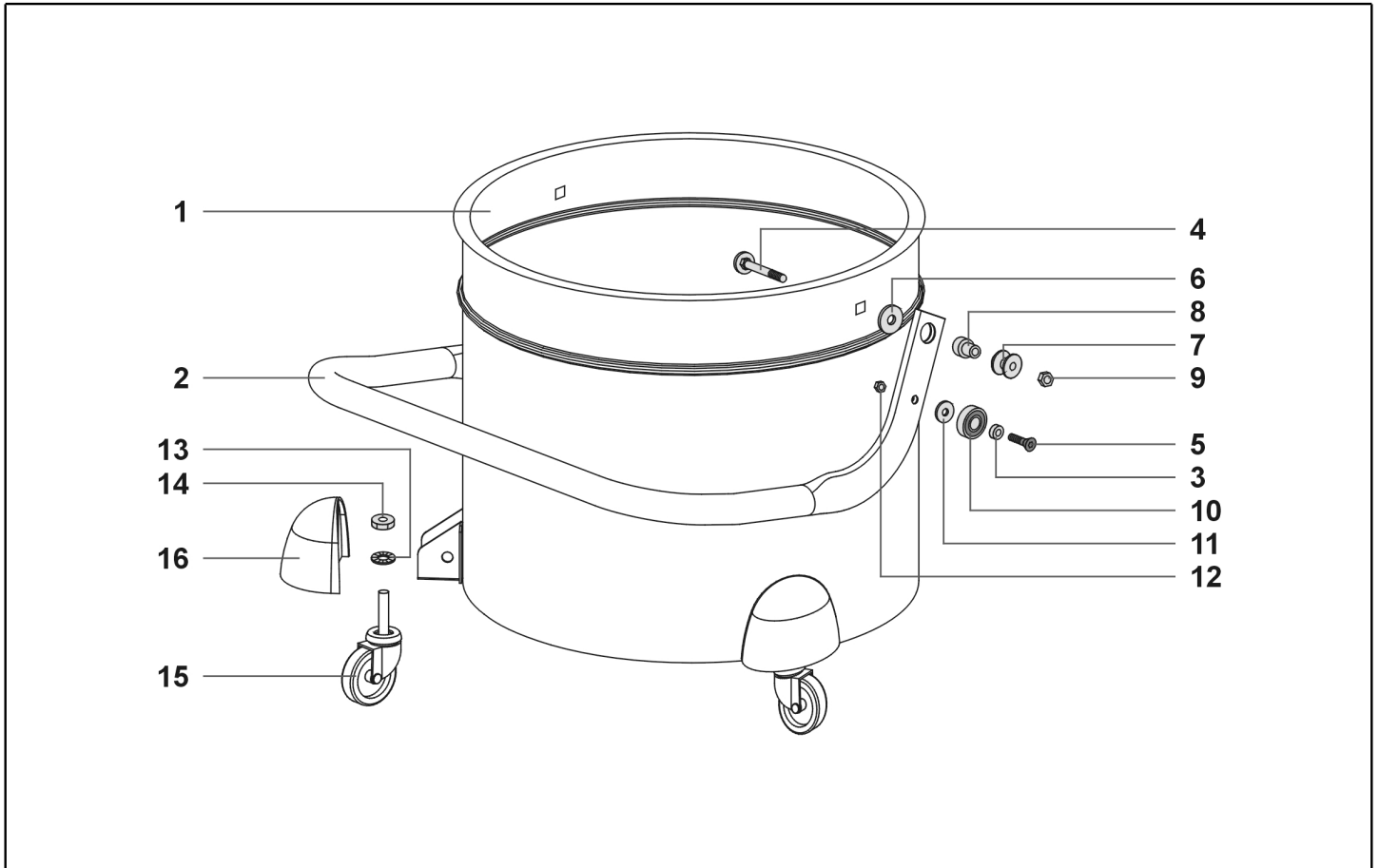
| Ref. K | Part n.   | Part n. 2 | Description                      | Quantity | Validity |    | Price |
|--------|-----------|-----------|----------------------------------|----------|----------|----|-------|
|        |           |           |                                  |          | From     | To |       |
| 0001   | MPVR35495 |           | FILTER RING 600                  | 1,00     |          |    | --    |
| 0002   | FTDP88584 |           | POLYESTERE FILTER V600M          | 1,00     |          |    | --    |
| 0003   | MPVR88838 |           | BASKET V 600 M                   | 1,00     |          |    | --    |
| 0004   | FSVR00148 |           | CLAMP STRINGITUBO D.345-380      | 1,00     |          |    | --    |
| 0005   | PMVR04414 |           | CAP D64 FILTERSHAKER PLANET      | 5,00     |          |    | --    |
| 0006   | VTVT01090 |           | SCREW TE M 6X20 UNI 5739         | 1,00     |          |    | --    |
| 0007   | VTDD00230 |           | SELF-LOCJ.NUT M 6 SMALL UNI 7474 | 1,00     |          |    | --    |



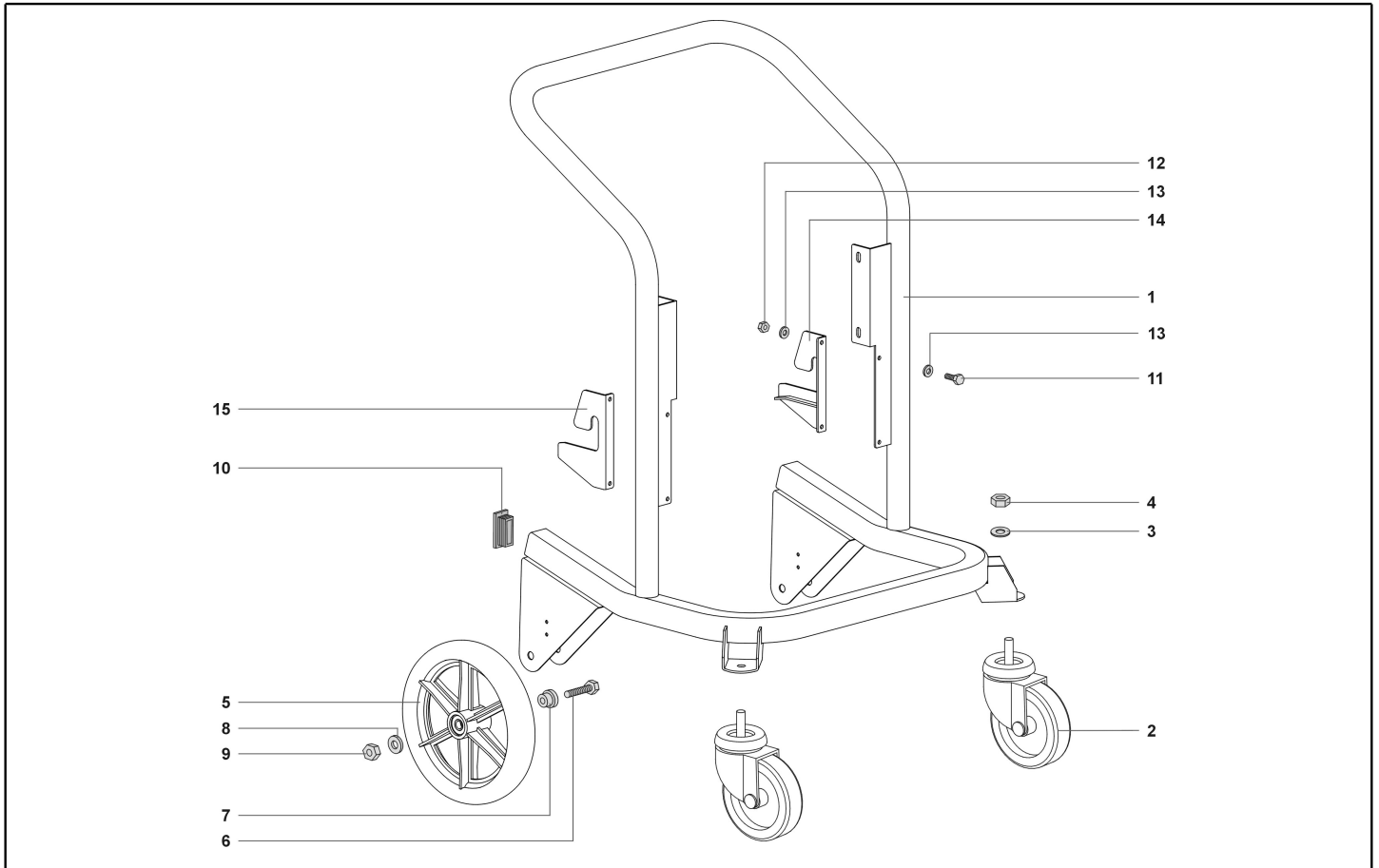
| Ref. K | Part n.   | Part n. 2 | Description                        | Quantity | Validity |    | Price |
|--------|-----------|-----------|------------------------------------|----------|----------|----|-------|
|        |           |           |                                    |          | From     | To |       |
| 0001   | FTDP00223 |           | PCARBON FILTER 400/600 H=580 L=640 | 1,00     |          |    | --    |
| 0001   | FTDP00223 |           | PCARBON FILTER 400/600 H=580 L=640 | 1,00     |          |    | --    |



| Ref. K | Part n.   | Part n. 2 | Description                      | Quantity | Validity |    | Price |
|--------|-----------|-----------|----------------------------------|----------|----------|----|-------|
|        |           |           |                                  |          | From     | To |       |
| 0001   | PMVR06388 |           | TANK DEC. OPTIM 600 C/V          | 1,00     |          |    | --    |
| 0002   | GUVR00542 |           | GASKET DEC.600 DIA 7 L=1230      | 1,00     |          |    | --    |
| 0003   | CHVR40000 |           | UNIVERSAL METAL HOOK             | 2,00     |          |    | --    |
| 0004   | VTVR71991 |           | RIVET 5X11                       | 4,00     |          |    | --    |
| 0005   | VTDD00214 |           | NUT M 8 UNI 5721                 | 4,00     |          |    | --    |
| 0006   | VTRS00396 |           | WASHER M 8 UNI 6592              | 4,00     |          |    | --    |
| 0007   | VTVR72041 |           | WASHER 8X32 UNI6593              | 4,00     |          |    | --    |
| 0008   | VTVT01392 |           | SCREW TBEI 8X16 UNI 7380 INOX    | 4,00     |          |    | --    |
| 0009   | LAFN88787 |           | BELLOWS HOLDER F/FILTERSHAKER    | 1,00     |          |    | --    |
| 0010   | MPVR88788 |           | BELLOWS PROTECTION PLANET 200    | 1,00     |          |    | --    |
| 0011   | GUGO88789 |           | PLANET 100 SHAKER FILTER GASKET  | 1,00     |          |    | --    |
| 0012   | FSVR00074 |           | CLIP 300X9                       | 1,00     |          |    | --    |
| 0013   | VTVR00395 |           | RIVET 4,8X15 INOX                | 4,00     |          |    | --    |
| 0014   | LAFN08493 |           | LEVER SCUOTIFILTRO PLANET 150    | 1,00     |          |    | --    |
| 0015   | VTVR37754 |           | KNOB M10x30 L=70                 | 1,00     |          |    | --    |
| 0016   | MPVR06932 |           | SPACER PLASTIC D.10 D.6,3X20     | 2,00     |          |    | --    |
| 0017   | VTVT01235 |           | SCREW TE M 6X70 UNI 5737         | 1,00     |          |    | --    |
| 0018   | VTDD00230 |           | SELF-LOCJ.NUT M 6 SMALL UNI 7474 | 1,00     |          |    | --    |
| 0019   | LAFN88792 |           | DUMPING BASE BELT DRIVER M8 H=20 | 1,00     |          |    | --    |
| 0020   | VTVT01028 |           | SCREW TE M 8X25 UNI 5739         | 1,00     |          |    | --    |
| 0021   | VTRS00427 |           | TOOTHED WASHER M8 UNI 8842       | 1,00     |          |    | --    |
| 0022   | MFVR00281 |           | PIPE UNION D60 TANG. ALL. COMP.  | 1,00     |          |    | --    |
| 0023   | MPVR07323 |           | GASKET BOCCH. TANGENZIALE R205   | 1,00     |          |    | --    |
| 0024   | VTVT01286 |           | SCREW TE M 5X25 UNI5739 Z.B.     | 4,00     |          |    | --    |
| 0025   | VTRS00447 |           | WASHER PVC 60SH D13.5X4.5 H=3    | 4,00     |          |    | --    |
| 0026   | VTDD71969 |           | NUT NUT M 5                      | 4,00     |          |    | --    |
| 0027   | VVSC00042 |           | VALVE ROMPIVUOTO REG. 2"/1"PLAN  | 1,00     |          |    | --    |
| 0028   | VTRS00436 |           | WASHER TO 1"                     | 2,00     |          |    | --    |
| 0029   | VTDD00247 |           | HEXAGONAL NUT 4 X 1" THREAD GAS  | 1,00     |          |    | --    |



| Ref. K | Part n.   | Part n. 2 | Description                          | Quantity | Validity |    | Price |
|--------|-----------|-----------|--------------------------------------|----------|----------|----|-------|
|        |           |           |                                      |          | From     | To |       |
| 0001   | LAFN09532 |           | TANK INFERIORE OPTIM 600             | 1,00     |          |    | --    |
| 0002   | LAFN10196 |           | LEVER AGGANCIAMENTO FUSTO OPTIM400/6 | 1,00     |          |    | --    |
| 0003   | LAFN09498 |           | SPACER D.9.9X6.2X5 ZN                | 2,00     |          |    | --    |
| 0004   | VTVT01277 |           | SCREW TTQDE M 8X50 UNI 5732          | 2,00     |          |    | --    |
| 0005   | VTVT01278 |           | SCREW M6X20 TSPEI UNI5933 ZC         | 2,00     |          |    | --    |
| 0006   | VTRS00423 |           | WASHER GREMBIALINA M10X40 UNI659     | 2,00     |          |    | --    |
| 0007   | RCDS00090 |           | PIN GUIDE HOOKING TANK               | 2,00     |          |    | --    |
| 0008   | LAFN08768 |           | PIN LEVERAGGIO                       | 2,00     |          |    | --    |
| 0009   | VTDD00225 |           | SELF-LOCJ.NUT M 8 SMALL UNI 7474     | 2,00     |          |    | --    |
| 0010   | CUVR31861 |           | BEARING 26X10X8                      | 2,00     |          |    | --    |
| 0011   | VTRS00400 |           | WASHER M 6 UNI 6592                  | 2,00     |          |    | --    |
| 0012   | VTDD00230 |           | SELF-LOCJ.NUT M 6 SMALL UNI 7474     | 2,00     |          |    | --    |
| 0013   | VTRS00409 |           | TOOTHED WASHER M12 UNI 8842          | 3,00     |          |    | --    |
| 0014   | VTDD00245 |           | NUT M 12 UNI 5588                    | 3,00     |          |    | --    |
| 0015   | RTRT00453 |           | WHEEL D.60 PIVOT GOMMA M12X25        | 3,00     |          |    | --    |
| 0016   | MPVR06894 |           | CRANKCASE                            | 3,00     |          |    | --    |



| Ref. K | Part n.   | Part n. 2 | Description                    | Quantity | Validity   |            | Price |
|--------|-----------|-----------|--------------------------------|----------|------------|------------|-------|
|        |           |           |                                |          | From       | To         |       |
| 0001   | LAFN10812 |           | FRAME OPTIM 600 SMALL          | 1,00     |            | 16/11/2020 | --    |
| 0001   | LAFN11453 |           | FRAME OPTIM 600 SMALL VERNIC.  | 1,00     | 17/11/2020 |            | --    |
| 0002   | RTRT00455 |           | WHEEL DIA.150 M12X35           | 2,00     |            |            | --    |
| 0003   | VTRS00394 |           | WASHER M 12 UNI 6592           | 2,00     |            |            | --    |
| 0004   | VTDD72060 |           | LOW SELF-LOCKING NUT M 12      | 2,00     |            |            | --    |
| 0005   | RTRT00480 |           | WHEEL PU DIA.245X50            | 2,00     |            |            | --    |
| 0006   | VTVT01414 |           | SCREW TE M12X75 UNI 5737 8.8 Z | 2,00     |            |            | --    |
| 0007   | PVVR00381 |           | SPACER RUOTA D.245 OPT SMALL   | 2,00     |            |            | --    |
| 0008   | VTRS00394 |           | WASHER M 12 UNI 6592           | 4,00     |            |            | --    |
| 0009   | VTDD72060 |           | LOW SELF-LOCKING NUT M 12      | 2,00     |            |            | --    |
| 0010   | MPVR06895 |           | PLASTIC TOP 40X40              | 2,00     |            |            | --    |
| 0011   | VTVT01019 |           | SCREW TE M 6X16 UNI 5739       | 4,00     |            |            | --    |
| 0012   | VTDD00222 |           | NUT M 6 UNI 5588               | 4,00     |            |            | --    |
| 0013   | VTRS00400 |           | WASHER M 6 UNI 6592            | 8,00     |            |            | --    |
| 0014   | LAFN08765 |           | HOOKING DX FUSTO INF.          | 1,00     |            |            | --    |
| 0015   | LAFN08766 |           | HOOKING SX FUSTO INF.          | 1,00     |            |            | --    |





| Ref. K | Part n.   | Part n. 2 | Description  | Quantity | Validity |    | Price |
|--------|-----------|-----------|--------------|----------|----------|----|-------|
|        |           |           |              |          | From     | To |       |
| 0001   | VTRS00436 |           | WASHER TO 1" | 1,00     |          |    | --    |
| 0001   | VTRS00436 |           | WASHER TO 1" | 1,00     |          |    | --    |