

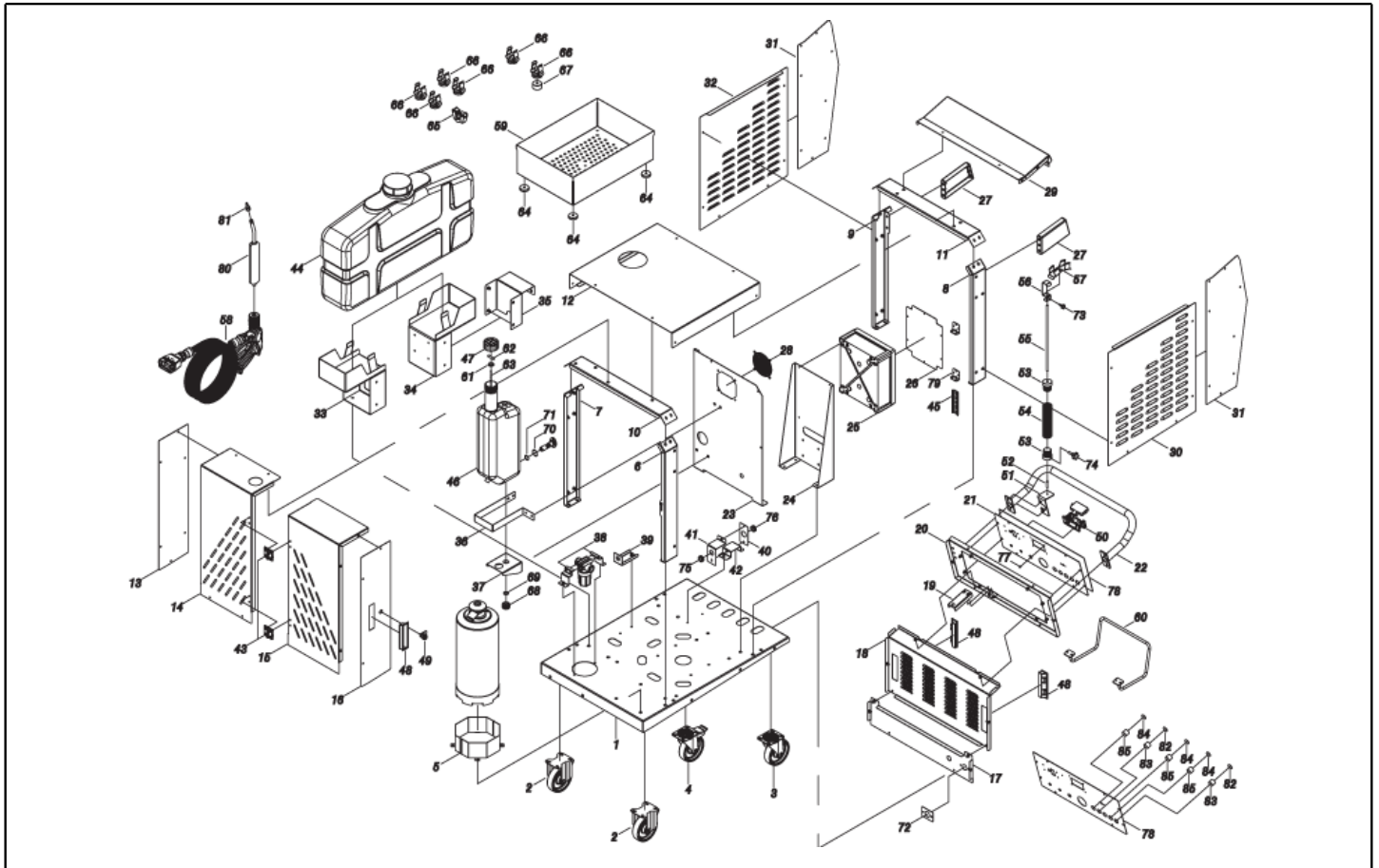


**IPC**

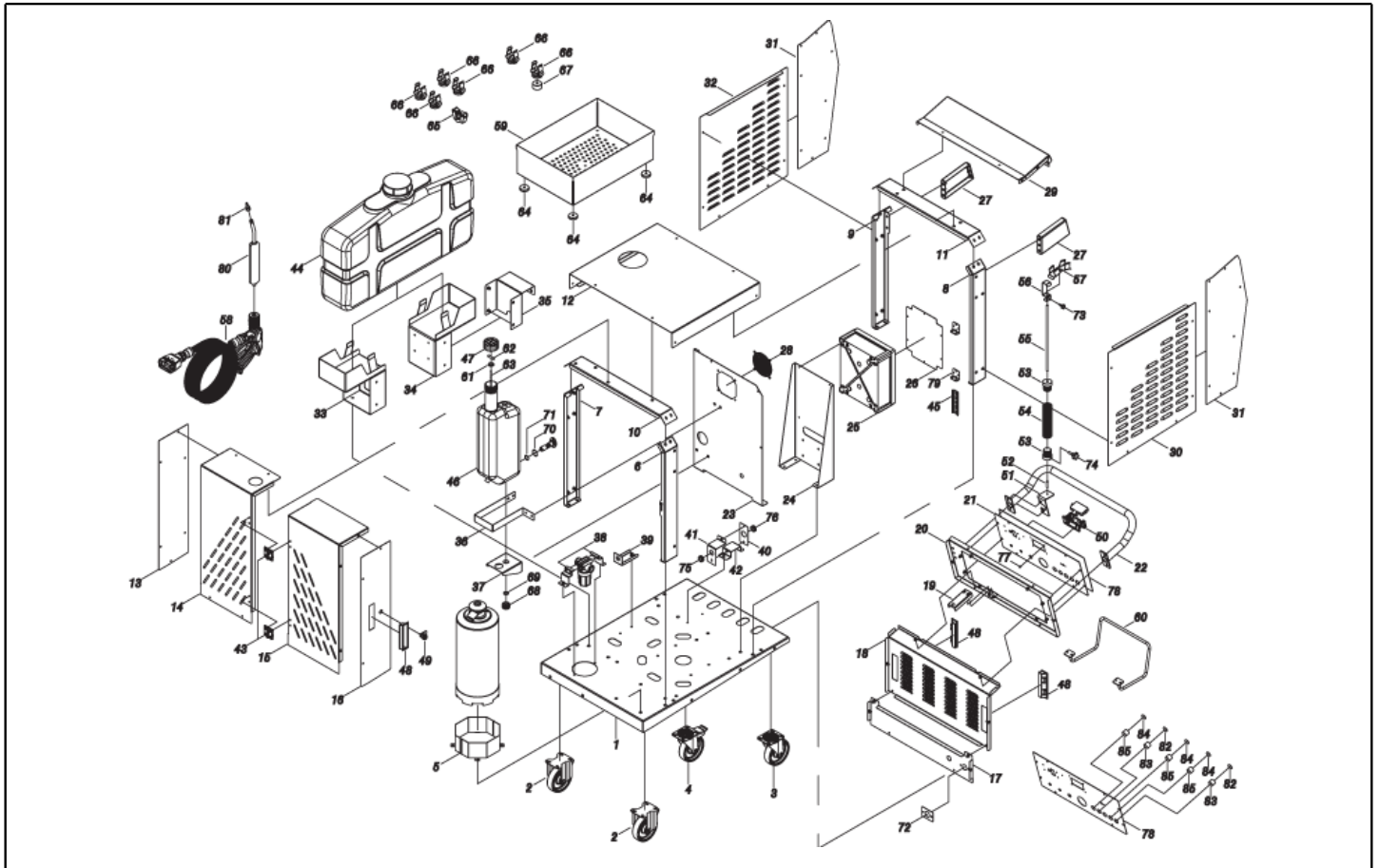
**Spare parts list**

Ref: GNVA40042

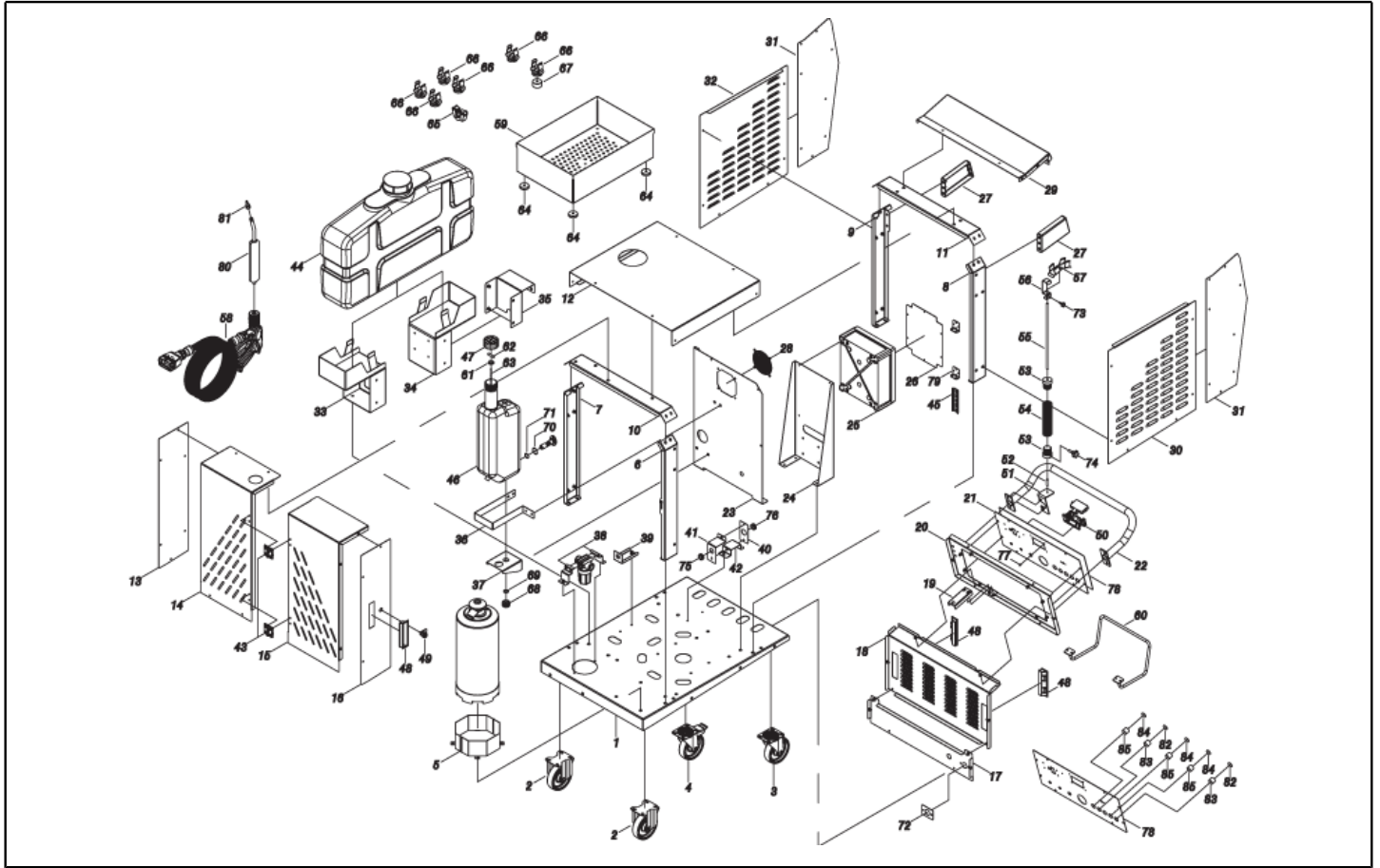
Model: STEAM GENERATOR SG-70 9536 T 400V IPC



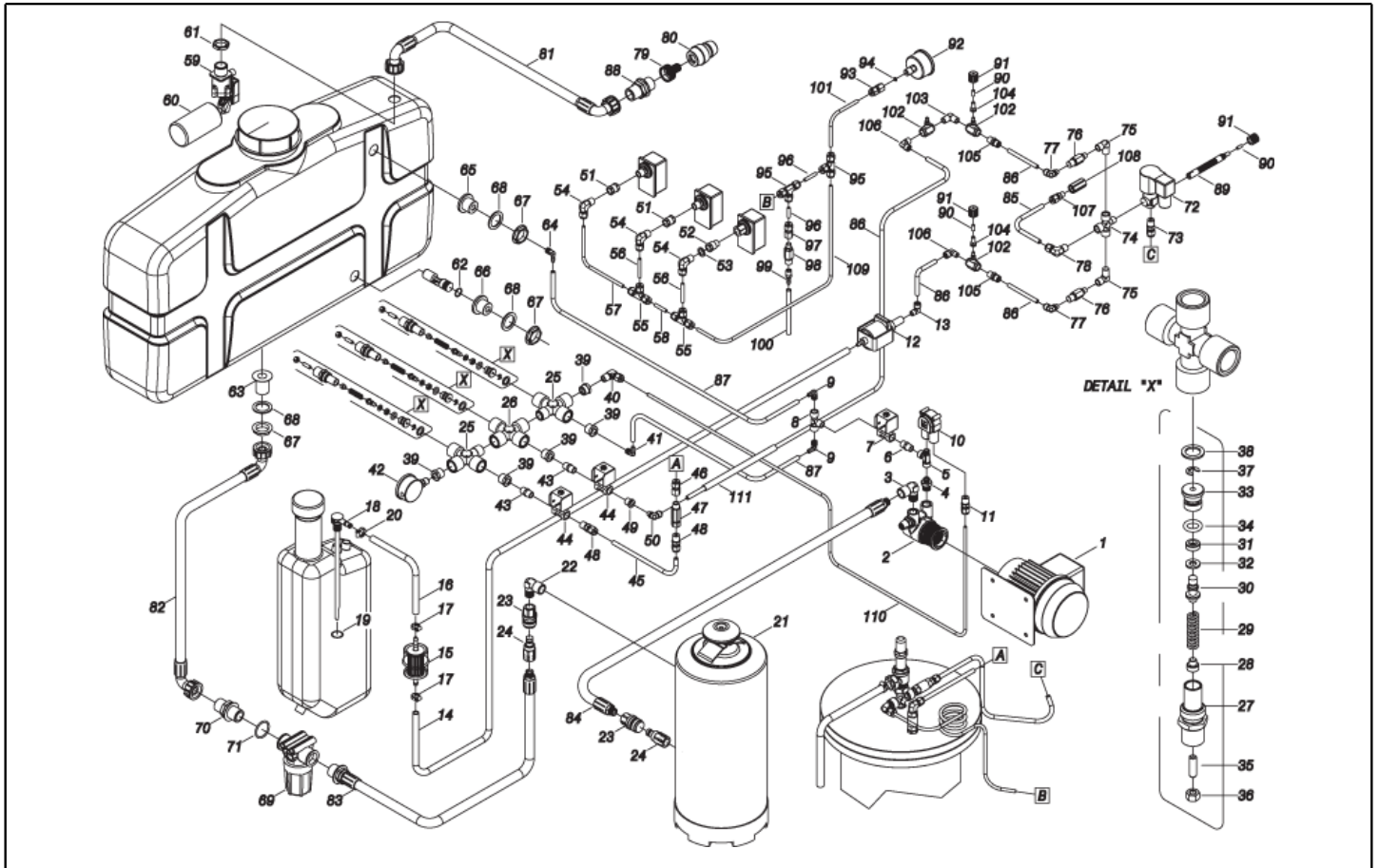
Ref. K	Part n.	Part n. 2	Description	Quantity	Validity		Price
					From	To	
0001	LAFN40783		BASE STM-SV.12 INX	1,00			--
0002	RTRT40049		WHEEL D.125 P. A.TR/GXF	2,00			--
0003	RTRT40048		TURNING WHEEL D.125 P. A.TR/GXR	1,00			--
0004	RTRT40047		TURNING WHEEL D.125 P. A.TR/GXR	1,00			--
0005	LAFN40856		BRACKET ADD. SV.12 IX	2,00			--
0006	LAFN40861		SUPPORT STM-SV.12 ANT.SX IX.	1,00			--
0007	LAFN40862		SUPPORT STM-SV.12 ANT.DX IX.	1,00			--
0008	LAFN40864		SUPPORT STM-SV.12 PST.SX IX.	1,00			--
0009	LAFN40865		SUPPORT STM-SV.12 PST.DX IX.	1,00			--
0010	LAFN40859		CROSS PIECE STM-SV.12 ANT.IX	1,00			--
0011	LAFN40863		CROSS PIECE STM-SV.12 PST.IX	1,00			--
0012	LAFN40772		COVER STM-SV.12 INX	1,00			--
0012	ITTE49606		PROTECTION ST-SV.30 1PZ.	1,00			--
0013	LAFN40866		PLUGGING STM-SV.12 ANT.DX INX	1,00			--
0014	LAFN40773		LAT. PANEL STM-SV.12 A.DX INX	1,00			--
0015	LAFN40774		LAT. PANEL STM-SV.12 A.SX INX	1,00			--
0016	LAFN40876		PLUGGING STM-SV.12 ANT.SX INX	1,00			--
0017	LAFN40881		PANEL STM-SV.12 IX	1,00			--
0018	LAFN40785		BACK PANEL STM-SV.12 INX	1,00			--
0019	LAFN40798		BRACKET STM SV.12 IX	1,00			--
0020	LAFN40880		FRAME STM-SV.12 INX	1,00			--
0021	LAFN40769		PANEL STM-SV.12 INX	1,00			--
0022	LAFN40784		HANDLE ST-SV.12000 IX	1,00			--
0023	LAFN40778		PANEL STM-SV.12 DIV. INX	1,00			--
0024	LAFN40777		SUPPORT STM-SV.12 IX.	1,00			--
0024	ITTE40013		PROTECTION ST-SV.12 1PZ.	1,00			--
0024	GUVR13437		EDGE H=10	0,34			--
0025	MEVR40195		CONTROL BOX FIB. 289X239X107 IP SV.12	1,00			--
0026	LAFN40890		PLATE STM-SV.12 ZC.	1,00			--
0027	LAFN40882		SUPPORT STM-SV.12 IX	2,00			--
0028	LAFN41054		PROTECTION STM-SV.12 IX	1,00			--
0029	LAFN40877		COVER STM-SV.12 PST.INX	1,00			--
0030	LAFN40776		LAT. PANEL STM-SV.12 PST.SX INX	1,00			--
0031	LAFN40878		PLUGGING STM-SV.12 PST.DX INX	1,00			--
0032	LAFN40775		LAT. PANEL STM-SV.12 PST.DX INX	1,00			--
0032	LAFN40879		PLUGGING STM-SV.12 PST.SX INX	1,00			--
0034	LAFN40779		SUPPORT STM-SV.12 PST.INX	1,00			--
0035	LAFN40889		SUPPORT STM-SV.12 ANT.INX	1,00			--
0035	GUVR13437		EDGE H=10	0,37			--
0035	LAFN40793		SUPPORT BRACKET STM-SV.12 IX	1,00			--
0036	LAFN40781		BRACKET STM-SV.12 IX.	1,00			--
0037	LAFN40780		SUPPORT STM-SV.12 DT.INX	1,00			--
0038	LAFN40884		FILTER BRACKET STM-SV.12 IX	2,00			--
0039	LAFN40788		SUPPORT BRACKET STM-SV.12	1,00			--



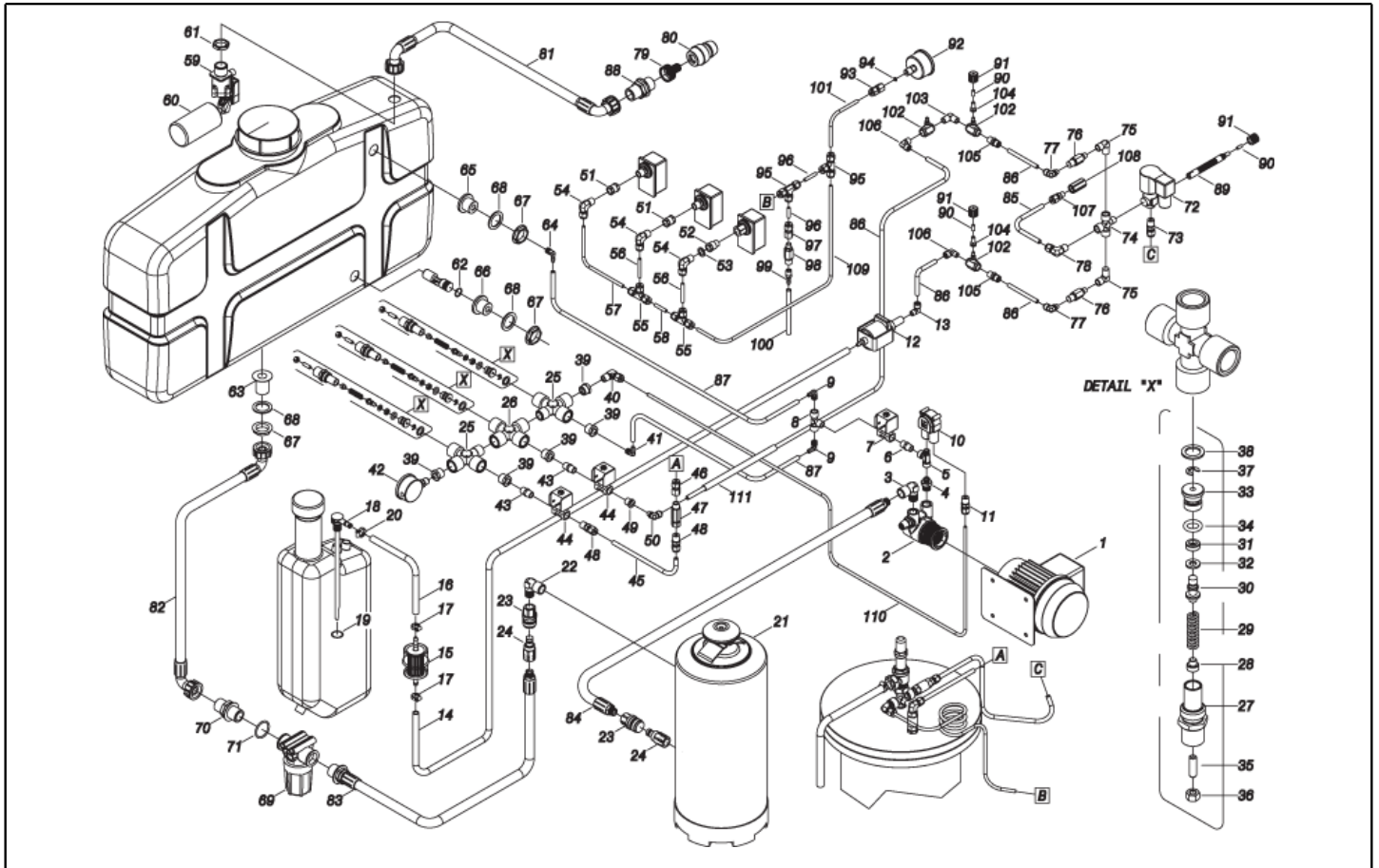
Ref. K	Part n.	Part n. 2	Description	Quantity	Validity		Price
					From	To	
0040	LAFN40666		SUPPORT STM SG-50/H RC.ANT. IX.	1,00			--
0041	LAFN40667		SUPPORT STM SG-50/H RC.PST. IX.	1,00			--
0042	LAFN40668		SUPPORT STM SG-50/H RC.INF. IX.	1,00			--
0043	MPVR32197		HINGE M 5	2,00			--
0044	MPVR40783		WATER TANK STM-POLY 50 PEHD SV.12	1,00			--
0045	LAFN40948		SUPPORT L.120 SV.12	1,00			--
0046	MPVR40618		WATER TANK STM SG-50 PE C/SC.	1,00			--
0047	MPVR40611		TANK CAP MHDS-SK BK. C/F.	1,00			--
0048	MPVR41002		HANDLE LRG L.PROF.FLUSH PULL BK.	1,00			--
0048	MPVR41002		HANDLE LRG L.PROF.FLUSH PULL BK.	2,00			--
0049	CHVR25304		LOCK L=20 D. 18.5	1,00			--
0049	LAFN40885		PLATE STM-SV.12 IX.	1,00			--
0050	MEVR40175		SOCKET STM.SV.12000 IND. CPL.	1,00			--
0051	LAFN40883		BRACKET SV.12 IX	1,00			--
0052	LAFN40887		PIN SV.12 IX	1,00			--
0053	MPVR40812		COUPLING T.VAP. STM-SV.12 PVC	2,00			--
0054	MLML40042		SPRING D. 31 X40 L=150 INX SV.12	1,00			--
0055	LAFN40888		ROD SV.12 IX	1,00			--
0056	LAFN40858		BRACKET BLOC.SV.12 IX	1,00			--
0057	LAFN40857		BRACKET SV.12 IX	1,00			--
0058	IPIP40016		GRIP RV 23 +M22F +TV 10MT 2SW.	1,00			--
0059	LAFN40949		TOOL HOLDER ST-SV.12000 IX	1,00			--
0059	GUVR00408		EDGE H=14	1,70			--
0060	LAFN40941		CABLE SUPPORT ST-SV.12000 IX	1,00			--
0061	VTRS07728		WASHER D. 6 INX	1,00			--
0062	LAFN40498		PIN D. 6 X 12-15 IX	1,00			--
0063	VTVR40026		SMALL CHAIN 13MG. INX L=220 G.V-MSC.	1,00			--
0064	MPVR40888		THICKNESS ST-SV.12 PVC	4,00			--
0065	MPVR40622		RUBBER TOOLFLEX 20-30 BK.	1,00			--
0066	MPVR40887		CLIP D.39/43 PLS	6,00			--
0067	MPVR40889		THICKNESS CLIP ST-SV.12 PVC	1,00			--
0068	PVVR11806		DISCHARGE CAP FLL	1,00			--
0069	GUGO11489		GASKET D.22X1,5	1,00			--
0070	GUGO01197		O-RING D. 22.22 X 2.62 NBR 70SH	1,00			--
0071	GUGO01056		O-RING D. 18.72 X 2.62 NBR 70SH	1,00			--
0072	LAFN40962		BRACKET STM-SV.12 IX	1,00			--
0073	VTVR40069		HANDWHEEL M 5MAX10 THPX20 IX	1,00			--
0074	VTVR40070		HANDWHEEL VAL-PA M 8 X 30 IX	1,00			--
0077	LAFN40947		SPACER M 3 X 12.7 D. 8 OT.	4,00			--
0078	ETET41201		LABEL STM-SG.70 PLC	1,00			--
0079	LAFN40729		SUPPORT BRACKET SG-50/T. ZC.	1,00			--
0080	LCPR40109		EXTENSION S7k CR.250 +Ar3 M22-1/4M	1,00			--
0081	UGEI40012		NOZZLE 1/4F D.2 SV.80 IND.IX.	1,00			--
0082	MEVR40191		WARNING LIGHT S.84 D.19.7 GRN.	2,00			--



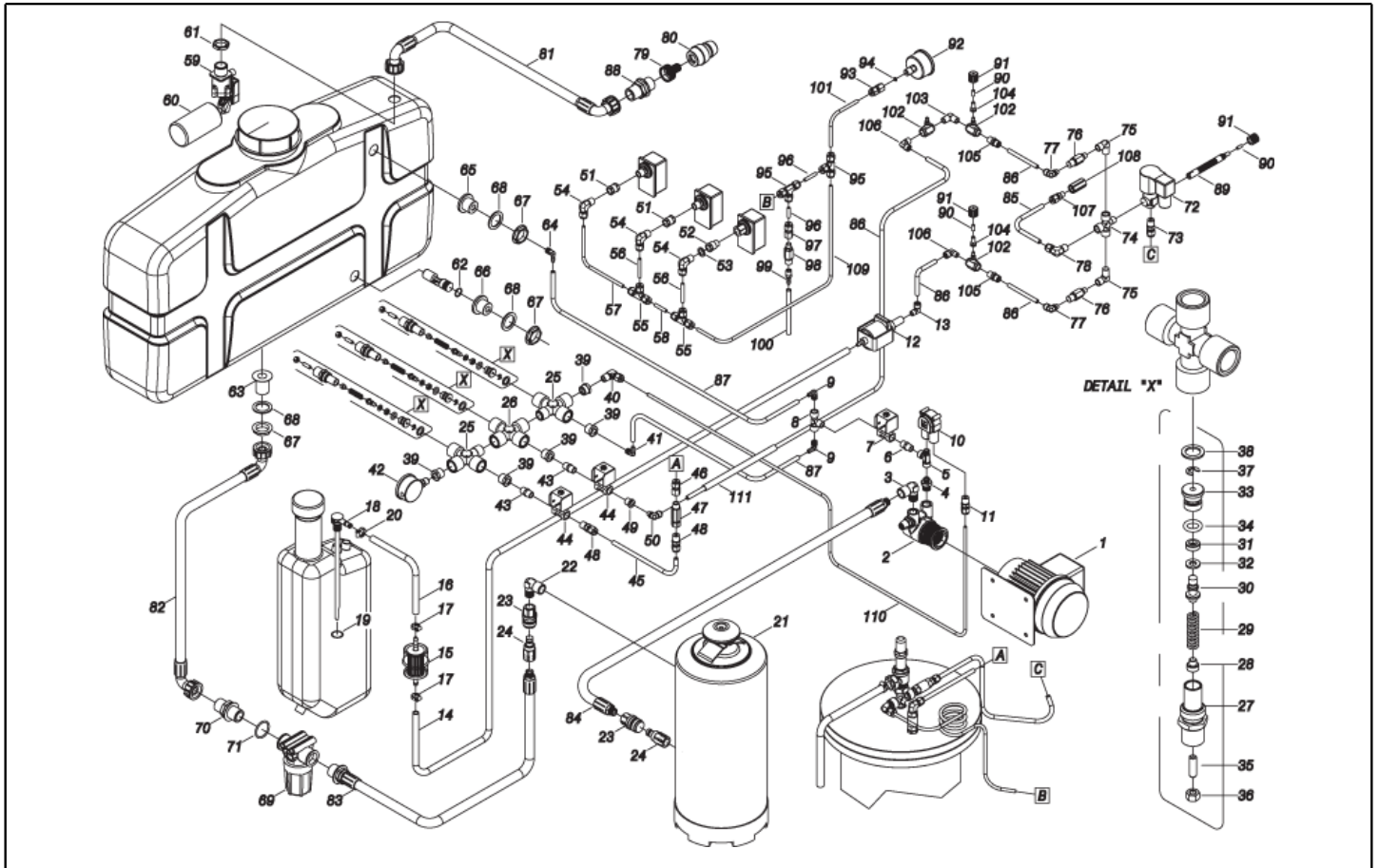
Ref. K	Part n.	Part n. 2	Description	Quantity	Validity		Price
					From	To	
0083	MELF40005		LAMP S.84 12Vdc LED GRN. EAO	2,00			--
0084	MEVR40190		WARNING LIGHT S.84 D.19.7 RD.	3,00			--
0085	MELF40007		LAMP S.84 12Vdc LED RED. EAO	3,00			--



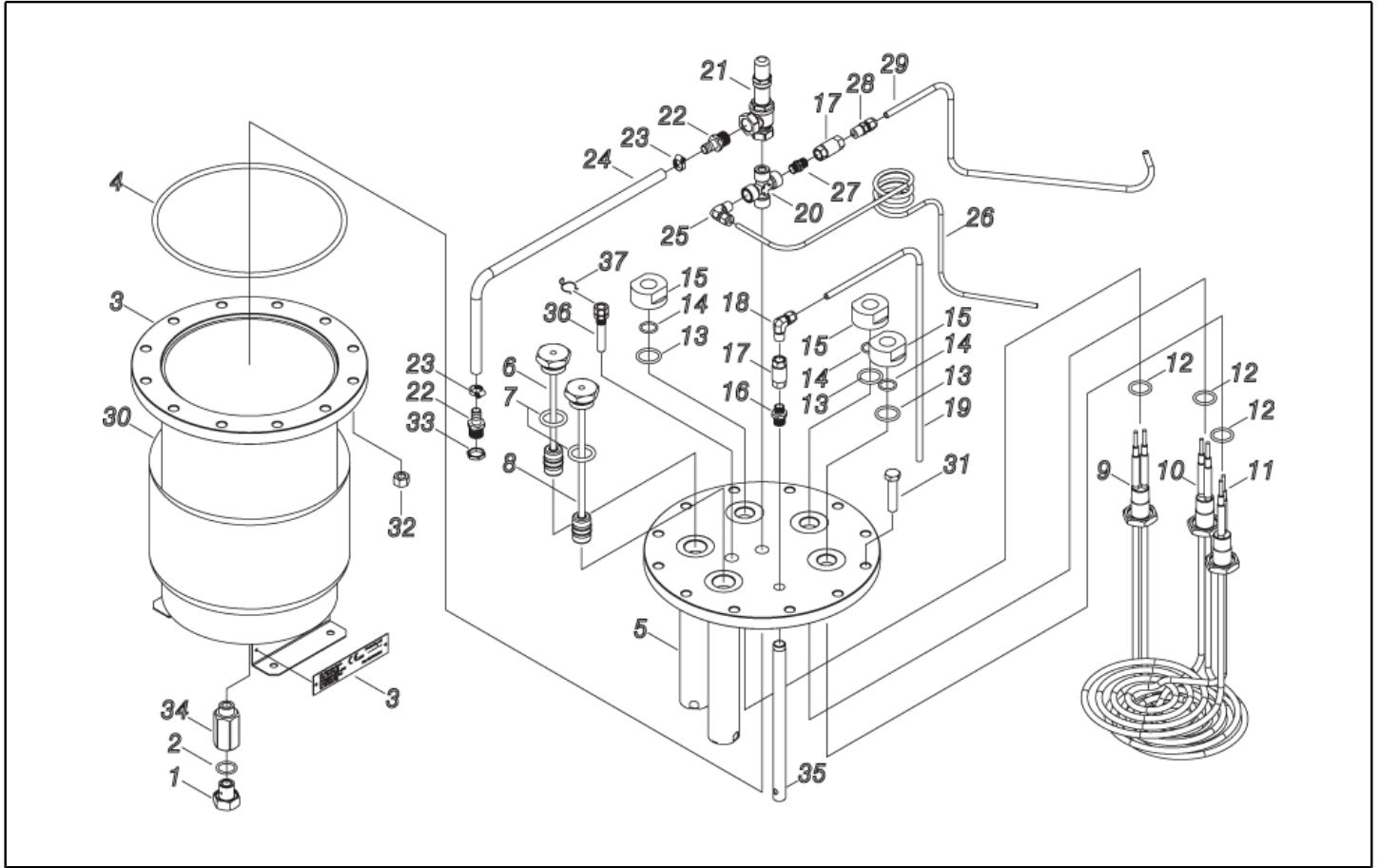
Ref. K	Part n.	Part n. 2	Description	Quantity	Validity		Price
					From	To	
0001	MOMO40062		1PH MOTOR RPM 187 W 230-50	1,00			--
0002	PPBP40006		PUMP 150LT/H S/BY-P OT PR15AH	1,00			--
0003	RCVR00574		ELBOW 3/8" M/F A10	1,00			--
0004	RCVR40169		NIPPLE 3/8 - 1/4 CN 3PZ. NK.	1,00			--
0005	RCVR72830		CONNECTOR T-1/4M 1/4F 1/4F-2070	1,00			--
0006	RCVR40165		NIPPLE 1/4 - 1/4 CN 3PZ. NK.	1,00			--
0007	MEEV40013		SOLENOID VALVE S.67 2V.1/4F 230V D.2.5	1,00			--
0008	RCVR40065		CONNECTOR T 1/4 F/M/F OT.NIK	1,00			--
0009	RCVR72873		HOSE FITTING "L" 1/4M - D.7 OT.NK	1,00			--
0010	MEPF40030		FLOW SWITCH FL 24000 OT G1/4F D.1.15	1,00			--
0011	RCVR17280		BI-CONE CONNEC. DTT 1/4" M B1 D. 6/ 8 NIK	1,00			--
0012	PEL40002		PUMP BY-P.230V E 505/OT 1/8"F	1,00			--
0013	RCVR26497		CONNECTOR L 1/8" M C5 D. 6/ 8 NIK	1,00			--
0014	TBCO06945		L.P. HOSE D. 6-12 10BAR C.PRESS	0,22			--
0015	FTCO40004		FUEL FILTER FB 7/T 60mc NYL.	1,00			--
0016	TBCO06945		L.P. HOSE D. 6-12 10BAR C.PRESS	1,05			--
0017	FSVR11197		CLAMP D.12.9-13.6	2,00			--
0018	RCDS20136		SUCTION L= 355 C.	1,00			--
0019	GUGO28327		O-RING D. 7.51 X 3.53 NBR 70SH	1,00			--
0020	FSVR00427		CLAMP D. 12 CLIC 66-110	1,00			--
0021	APTA40023		WATER SOFTNER LT.12 INOX MA8 G3/8M	1,00			--
0022	RCVR00574		ELBOW 3/8" M/F A10	1,00			--
0023	RCIN40034		QUICK COUPLING S.467/D6 F G3/8F NBR O.NK	1,00			--
0023	RCIN40034		QUICK COUPLING S.467/D6 F G3/8F NBR O.NK	1,00			--
0024	RCIN40035		QUICK COUPLING S.467/D6 M G3/8F NBR O.NK	1,00			--
0024	RCIN40035		QUICK COUPLING S.467/D6 M G3/8F NBR O.NK	1,00			--
0025	RCVR40164		CROSS 1/2 M/F/F/F NIK.	2,00			--
0026	RCVR40163		CROSS 1/2 F/F/F/F NIK.	1,00			--
0027	RCDS40160		VALVE BODY UPS G1/2 OT58	3,00			--
0028	LAFN40557		SPACER D. 6-10 L=10 UPS OT.	3,00			--
0029	MLML40030		SPRING INOX X UPS	3,00			--
0030	RCDS40242		SMALL PISTON V.SV.12 D. 7-12 IX	3,00			--
0031	PVVR40491		VALVE G.BUSHING D. 7-12 X4.5 SV POM	3,00			--
0032	GUGO40075		GASKET D. 6- 12 DEM NBR	3,00			--
0033	RCDS40162		VALVE SEAT UPS D.15-18.5 IX	3,00			--
0034	GUGO01060		O-RING D. 9.92 X 2.62 NBR 70SH	3,00			--
0035	VTVT01168		GRUB SCREW M6X20	3,00			--
0036	VTDD15520		NUT M 6 A2 UNI 5588 INX	3,00			--
0037	VTAE40006		CIRCLIP D. 5 UNI 7434 INOX	3,00			--
0038	VTRS04931		WASHER COPPER D.13X19X1.5	3,00			--
0039	RCVR02606		REDUCTION 1/2-1/4 M/F	5,00			--
0040	RCVR40136		BI-CONE CONNEC. L 1/4" M CN D.6/ 8 NIK	1,00			--
0041	RCVR72873		HOSE FITTING "L" 1/4M - D.7 OT.NK	1,00			--
0042	MNMN40016		PRESSURE GAUGE RD 0- 16 D.40 1/4 IX	1,00			--



Ref. K	Part n.	Part n. 2	Description	Quantity	Validity		Price
					From	To	
0043	RCVR40165		NIPPLE 1/4 - 1/4 CN 3PZ. NK.	2,00			--
0044	MEEV40013		SOLENOID VALVE S.67 2V.1/4F 230V D.2.5	2,00			--
0045	LAFN40943		TUBE D. 8 SV.12 50X50 RM.	1,00			--
0046	RCVR17281		BI-CONE CONNEC. DTT 1/4"F CL D. 6/ 8 NIC	1,00			--
0047	FTAC40016		WATER FILTER 1/4 MF HP	1,00			--
0048	RCVR17280		BI-CONE CONNEC. DTT 1/4"M B1 D. 6/ 8 NIC	2,00			--
0049	RCVR00644		REDUCTION 1/4-1/8 M/F	1,00			--
0050	RCVR26497		CONNECTOR L 1/8"M C5 D. 6/ 8 NIK	1,00			--
0051	RCVR02586		SLEEVE 1/4 F A3	2,00			--
0052	RCVR03984		SLEEVE 1/4 M/F A5/Z	1,00			--
0053	VTRS04931		WASHER COPPER D.13X19X1.5	1,00			--
0054	RCVR46460		BI-CONE CONNEC. L 1/4"M B5 D.4/ 6 NIK	3,00			--
0055	RCVR14013		BI-CONE CONNEC. T INT.B9 D. 4/ 6 NIC	2,00			--
0056	LAFN40942		TUBE D. 4 SV.12 L. 90 RM.	2,00			--
0057	LAFN40795		TUBE D. 6 SV.12 102X50 RM.	1,00			--
0058	LAFN40796		TUBE D. 4 SV.12 L. 40 RM.	1,00			--
0059	RCGR60703		FLOATER MTM 3/4 PP. S/F.	1,00			--
0060	MPVR88419		ADAPTER P245 PA6 BK.	1,00			--
0061	RCVR49974		RING NUT 3/4" X 4 NIK	1,00			--
0062	GUGO03505		O-RING D. 15.6 X 1.78 NBR 70SH	1,00			--
0063	RCVR40170		PIPE UNION G3/4 M PPL TEC	1,00			--
0065	RCVR40171		REDUCTION 3/4-1/4 M/F SV.12 PVC.BK	1,00			--
0066	RCVR40172		REDUCTION 3/4-M16 M/F SV.12 PVC.BK	1,00			--
0067	RCVR40052		RING NUT G3/4 PPL	3,00			--
0068	GUGO40005		GASKET D. 27.5-39.5X 2.5 GEO.L	3,00			--
0069	FTAC40015		WATER FILTER 3/4 FF 100MS 55L/1 TC	1,00			--
0070	RCVR40006		NIPPLE 3/4 - 3/4 D.18 L=60 PPL	1,00			--
0071	GUGO01043		O-RING D. 25.07 X 2.62 NBR 70SH	1,00			--
0072	MEEV40014		SOLENOID VALVE S.99 2V.1/4F 230V D.3.5	1,00			--
0073	RCVR17280		BI-CONE CONNEC. DTT 1/4"M B1 D. 6/ 8 NIC	1,00			--
0074	RCVR40131		CROSS 1/4 M/F/F/F NIK.	1,00			--
0075	RCVR89171		ELBOW 1/4-1/8 M/F NIK	1,00			--
0075	RCVR89171		ELBOW 1/4-1/8 M/F NIK	1,00			--
0076	VVSF43615		VALVE 1/8M-F OT. VIT. 250°C	1,00			--
0076	VVSF43615		VALVE 1/8M-F OT. VIT. 250°C	1,00			--
0077	RCVR26497		CONNECTOR L 1/8"M C5 D. 6/ 8 NIK	1,00			--
0077	RCVR26497		CONNECTOR L 1/8"M C5 D. 6/ 8 NIK	1,00			--
0078	RCVR40136		BI-CONE CONNEC. L 1/4"M CN D.6/ 8 NIC	1,00			--
0079	RCVR29600		SOCKET PTC 3/4 F	1,00			--
0080	RCVR29602		CONNECTOR D. 1/2"-5/8" PTC	1,00			--
0081	TBBP40113		L.P. HOSE L=1200 3/4F 90° -3/4F 90°	1,00			--
0082	TBBP40092		L.P. HOSE L= 500 3/4F 90° -3/4F 90°	1,00			--
0083	TBBP40114		L.P. HOSE L= 300 3/4F 0° -3/8M 0°	1,00			--
0084	TBBP40093		L.P. HOSE L=950 3/8M 3/8M	1,00			--

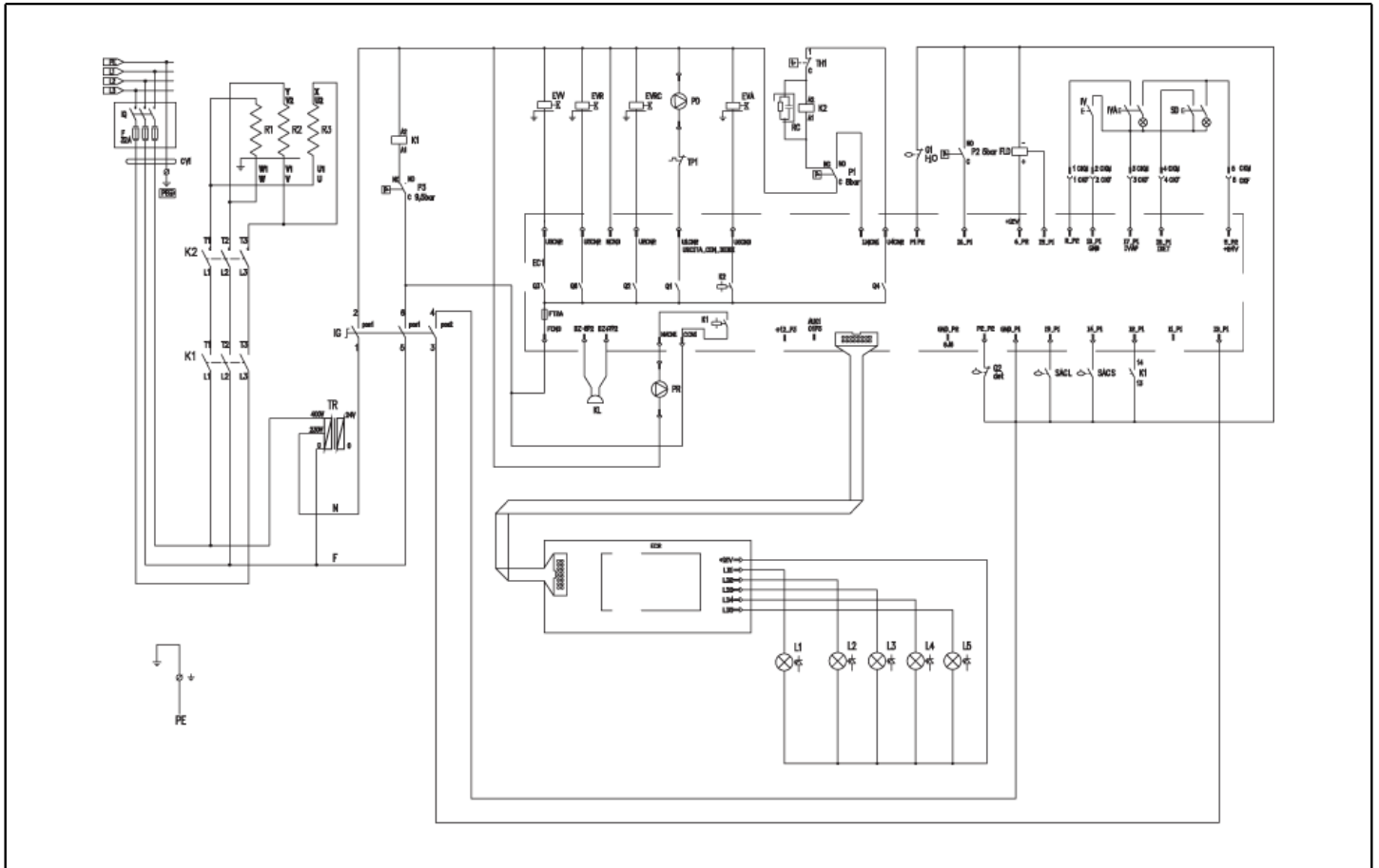


Ref. K	Part n.	Part n. 2	Description	Quantity	Validity		Price
					From	To	
0085	LAFN40799		TUBE D.8 STM SV.12/PV RM.	1,00			--
0086	TBBP41919		L.P. HOSE D. 6- 8 TEFLON	1,95			--
0087	TBCO06945		L.P. HOSE D. 6-12 10BAR C.PRESS	0,70			--
0088	RCVR40006		NIPPLE 3/4 - 3/4 D.18 L=60 PPL	1,00			--
0089	LAFN40800		PIN D. 12 X 79- 84 ST-SV4 OT	1,00			--
0090	MPVR40779		THICKNESS STM-SV.12 D.7	3,00			--
0091	MPVR40780		KNOB STM-SV.12 D.7	3,00			--
0092	MNMN40017		PRESSURE GAUGE 0- 16 D.50 INOX	1,00			--
0093	RCVR40189		BI-CONE CONNEC. DTT 1/4"F CL D. 4/ 6 NIK	1,00			--
0094	GUGO08071		O-RING D. 4.48 X 1.78 NBR 70SH	1,00			--
0095	RCVR14013		BI-CONE CONNEC. T INT.B9 D. 4/ 6 NIC	2,00			--
0096	LAFN40796		TUBE D. 4 SV.12 L. 40 RM.	2,00			--
0097	RCVR46851		BI-CONE CONNEC. DTT 1/8"F B2 D. 4/ 6 NIC	1,00			--
0098	VVSF43615		VALVE 1/8M-F OT. VIT. 250°C	1,00			--
0099	RCVR40113		HOSE FITTING 1/8 M D. 5- 7 NIK	1,00			--
0100	TBBP93804		L.P. HOSE D. 6- 9	0,25			--
0101	LAFN40794		TUBE D. 6 SV.12 L.115X45 RM.	1,00			--
0102	RCVR40161		ADJUSTER 1/4F-F HSF-B	1,00			--
0103	RCVR12430		ELBOW 1/4" M/M A15	1,00			--
0104	RCDS40220		TAIL PIECE STM-SV.12 OT	1,00			--
0105	RCIN40047		CONNECTOR DTT 1/4"M CL.D. 6/8 NIK	1,00			--
0106	RCIN26496		CONNECTOR L 1/4"M C5 D. 6/ 8 NIK	1,00			--
0107	RCIN40032		JOINT STEAM OT. F D.14-1/4F S80	1,00			--
0108	RCVR17280		BI-CONE CONNEC. DTT 1/4"M B1 D. 6/ 8 NIC	1,00			--
0109	LAFN40797		TUBE D. 6 STM SV.12 RM. N.2	1,00			--
0110	LAFN40792		TUBE D. 8 STM SV.12 RM.	1,00			--
0111	TBBP07631		L.P. HOSE D.10-14	0,40			--



Ref. K	Part n.	Part n. 2	Description	Quantity	Validity		Price
					From	To	
0001	RCDS40221		CAP 1/2 M STM-SV.16 IX	1,00			--
0002	GUGO40063		O-RING D. 22.5 X 3 FKM.75SH	1,00			--
0003	LAFN40765		CYLINDER STEAMER SV.16 INX.	1,00			--
0003	LAFN40766			1,00			--
0004	GUGO40064		O-RING D. 253.37 X 6.99 FKM 75SH	1,00			--
0005	LAFN40764		FLANGE STM. SV.16 INX	1,00			--
0006	MECI40035		SWITCH REED G1*M 180°C L= 193	1,00			--
0007	GUGO40065		O-RING D. 28 X 5 FKM 75SH	2,00			--
0008	MECI40034		SWITCH REED G1*M 180°C L= 248	1,00			--
0009	MEVR40172		RESISTANCE 40 OHM 4.0KW T 400V L.345	1,00			--
0010	MEVR40173		RESISTANCE 40 OHM 4.0KW T 400V L.315	1,00			--
0011	MEVR40174		RESISTANCE 40 OHM 4.0KW T 400V L.285	1,00			--
0012	GUGO40066		O-RING D. 25 X 3.53 FKM 75SH	3,00	01/12/2018		--
0013	GUGO40082		O-RING D. 34.52 X 3.53 FKM 75SH	3,00	01/12/2018		--
0014	GUGO21337		O-RING D. 25.07 X 2.62 VIT 70SH	3,00	01/12/2018		--
0015	RCDS40289		RING NUT M24X1.5 SV.16 2V. OT	3,00	01/12/2018		--
0016	RCVR40188		NIPPLE 3/8 - 1/4 CN NK.	1,00			--
0017	VVSF40019		VALVE 1/4F-F IX. CV5 500B.	2,00			--
0018	RCVR40136		BI-CONE CONNec. L 1/4*M CN D.6/ 8 NIK	1,00			--
0019	LAFN40790		TUBE D. 8 STM SV.12 RM. N.1	1,00			--
0020	RCDS40224		CROSS 1/2 M/M-1/4 F/F SV.12 OT.	1,00			--
0021	VVSC40017		VALVE S.082 G1/2M 10B. PED/IV	1,00			--
0022	RCVR40039		HOSE FITTING 1/2 M D.12-16 NIK	1,00			--
0022	RCVR40039		HOSE FITTING 1/2 M D.12-16 NIK	1,00			--
0023	FSVR00431		CLAMP D. 16-25	2,00			--
0024	TBBP40020		L.P. HOSE D.19.4-28 EPDM 20 BAR	1,20			--
0024	RCVR40135		NIPPLE 1/4 - 1/4 CN	1,00			--
0025	RCVR46460		BI-CONE CONNec. L 1/4*M B5 D.4/ 6 NIK	1,00			--
0026	LAFN40789		TUBE D. 6 STM SV.12 RM. N.1	1,00			--
0028	RCVR17280		BI-CONE CONNec. DTT 1/4*M B1 D. 6/ 8 NIK	1,00			--
0029	LAFN40791		TUBE D.8 STM SV.12 RM.	1,00			--
0030	ITTE40007		INSULATOR GLS VR018 H.1270	1,00			--
0030	ITTE40008		INSULATOR E.GLASS SP.12 H.1000	0,70			--
0033	RCDS21223		RING NUT 1/2" X 5 NIK	1,00			--
0034	RCDS40234		EXTENSION 1/2 M/F STM-SV.16 IX	1,00			--
0035	RCDS40225		WATER PIPE INX 3/ 8 L.260 G3/8M SV.	1,00			--
0036	RCDS40238		SUMP VL G. 1/2 L=278 OT.	1,00			--
0037	MLML02623		SPRING IMT	1,00			--





Ref. K	Part n.	Part n. 2	Description	Quantity	Validity		Price
					From	To	
G1	MECI46804		SENSOR LEVEL S1.PML.M16 +KIT GU/DA-FST	1,00			--
G2	MECI40006		SENSOR LEVEL S1.PML.XD.FPJ FST.	1,00			--
IG	MECI40043		COMMUTAT.SWITCH BRM 0-1-2 BIP.12A +M.C12	1,00			--
KL	MECB40136		BUZZER D.32 KPEG260 3-28V CBL.	1,00			--
P1	MEPF40046		PRESSURE SWITCH XP401 1/4M 8.5BAR AUT.	1,00			--
P2	MEPF40045		PRESSURE SWITCH XP401 1/4M 5.5BAR AUT.	1,00			--
P3	MEPF40029		PRESSURE SWITCH 1/4F B01DM 4-15BAR CP	1,00			--
RC	MECE43563		RESISTANCE RC 0.47MF X2 100OHM 250V	1,00			--
TH	METK40992		THERMOSTAT 245°C TR2 15(2.5)A 250V	1,00			--
TR	METR40631		TRANSFORMER 500VA 400V/24V CE	1,00			--
CV1	MECB89888		CABLE H07 RNF 4X2.5 L=6.500	1,00			--
EC1	MECE40069		PCB STEAM.JT. C/CM.DGT.SV-12	1,00			--
EC2	MECE40072		DISPLAY STM.JT SV.12	1,00			--
TP1	METK43603		KLIKSON UP62 110°C	1,00			--
K1,2	METT40009		CONTACTOR SIE 3RT 2016-1AP01 230V	2,00			--
L1-5	MELF40006		INDICATOR S.84 D.25 AL. EAO	5,00			--