

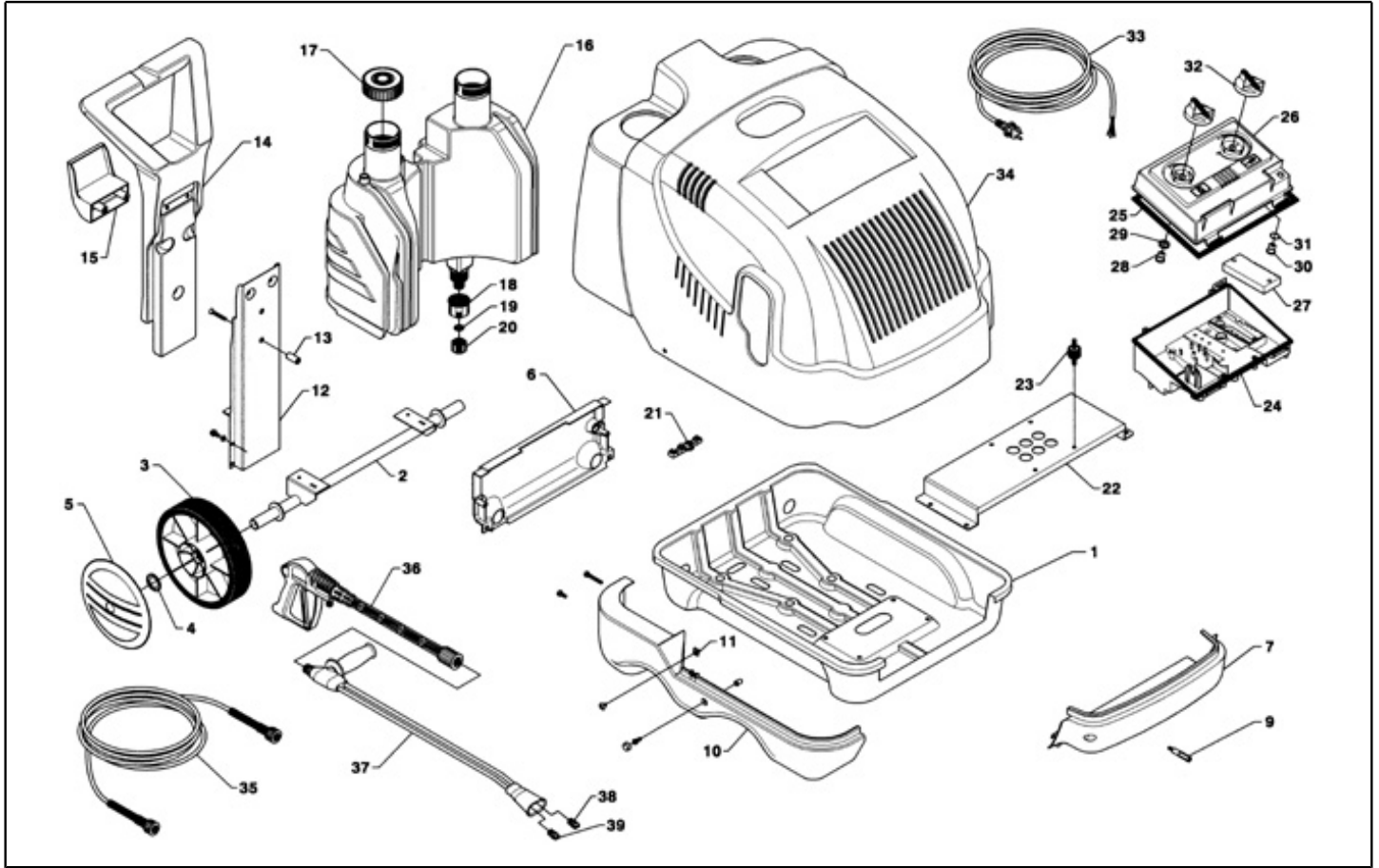


IPC

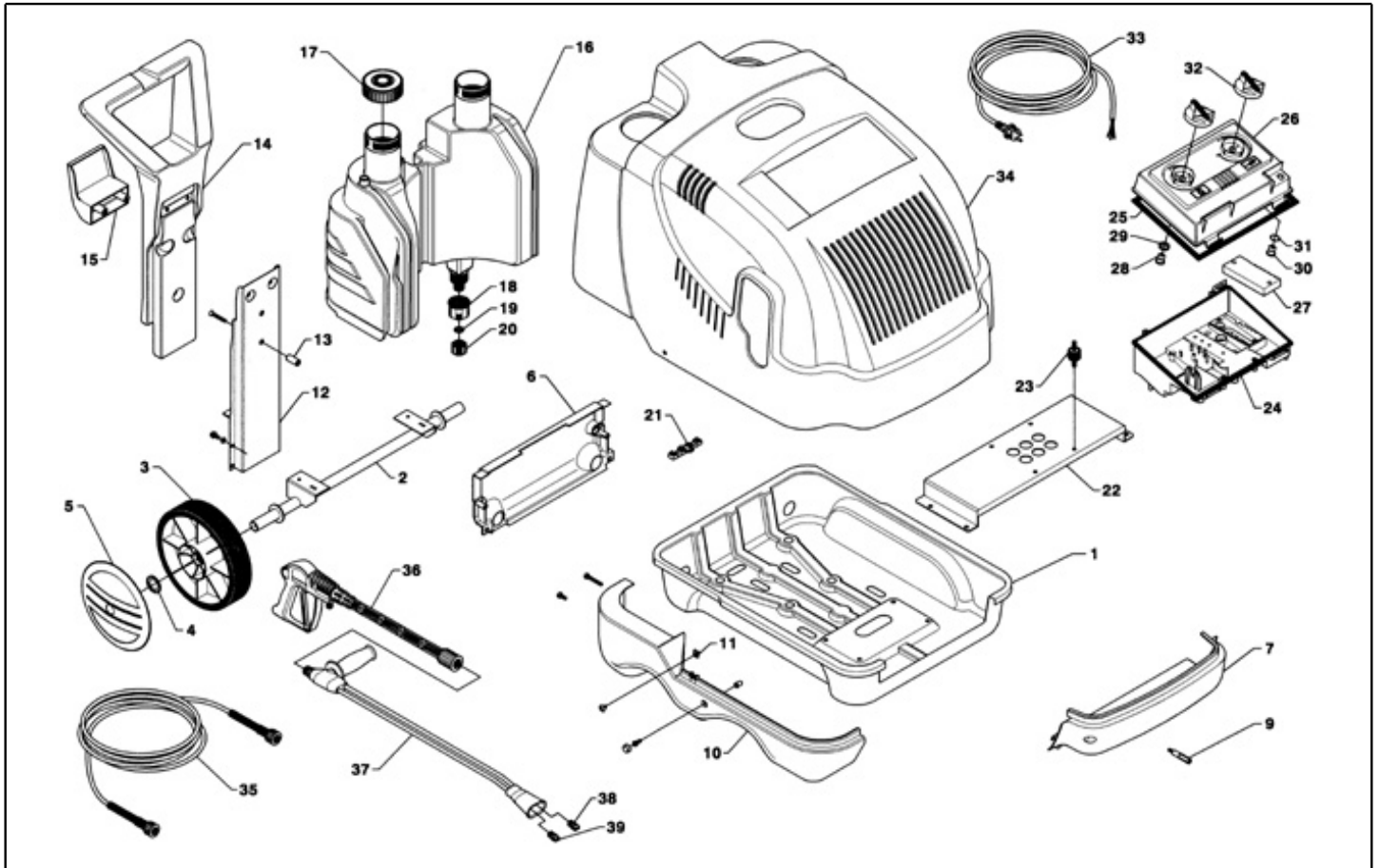
Spare parts list

Ref: IDAC38941

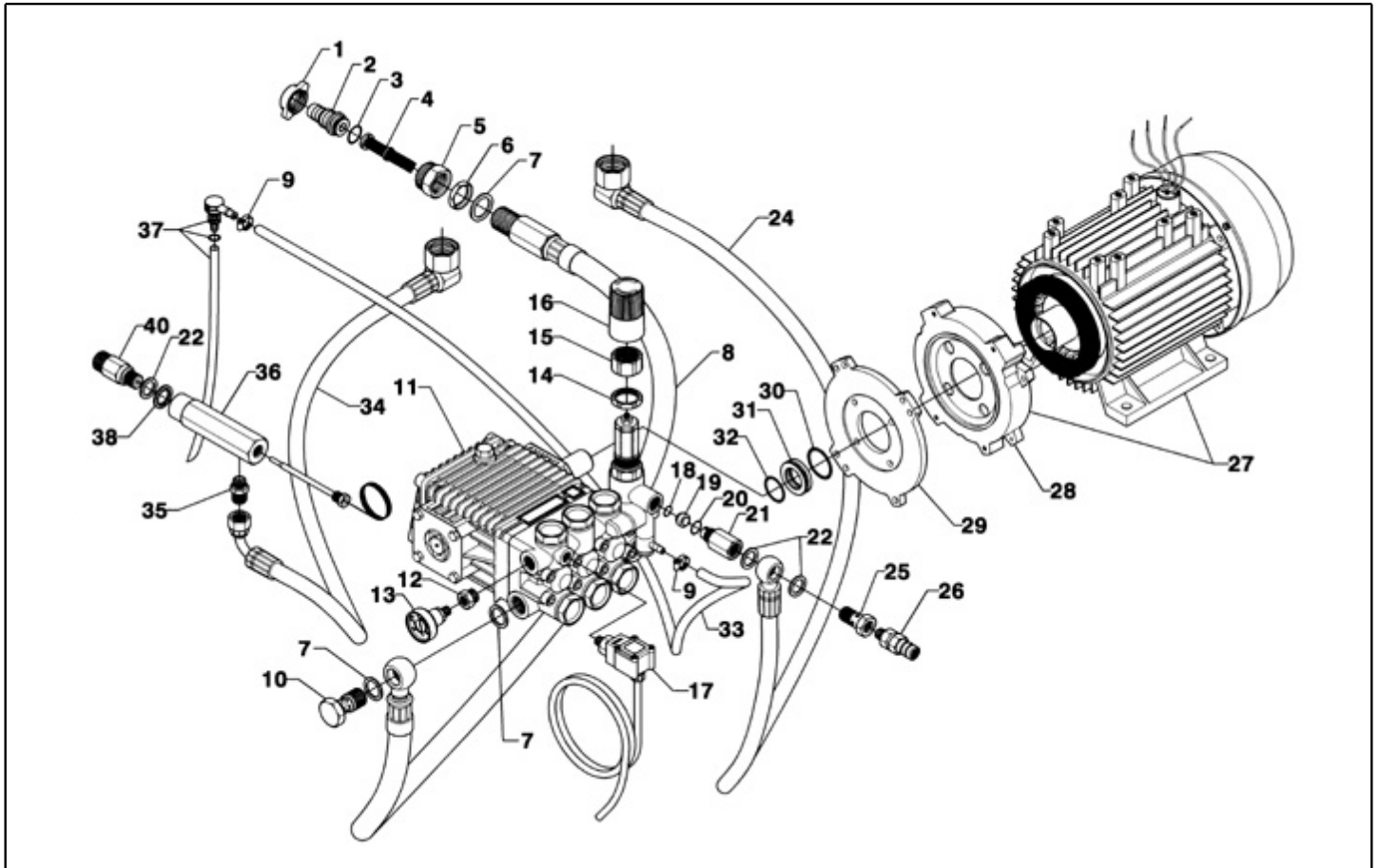
Model: H.P. CLEANER SILV.J.DS2930T 400/50 PRT



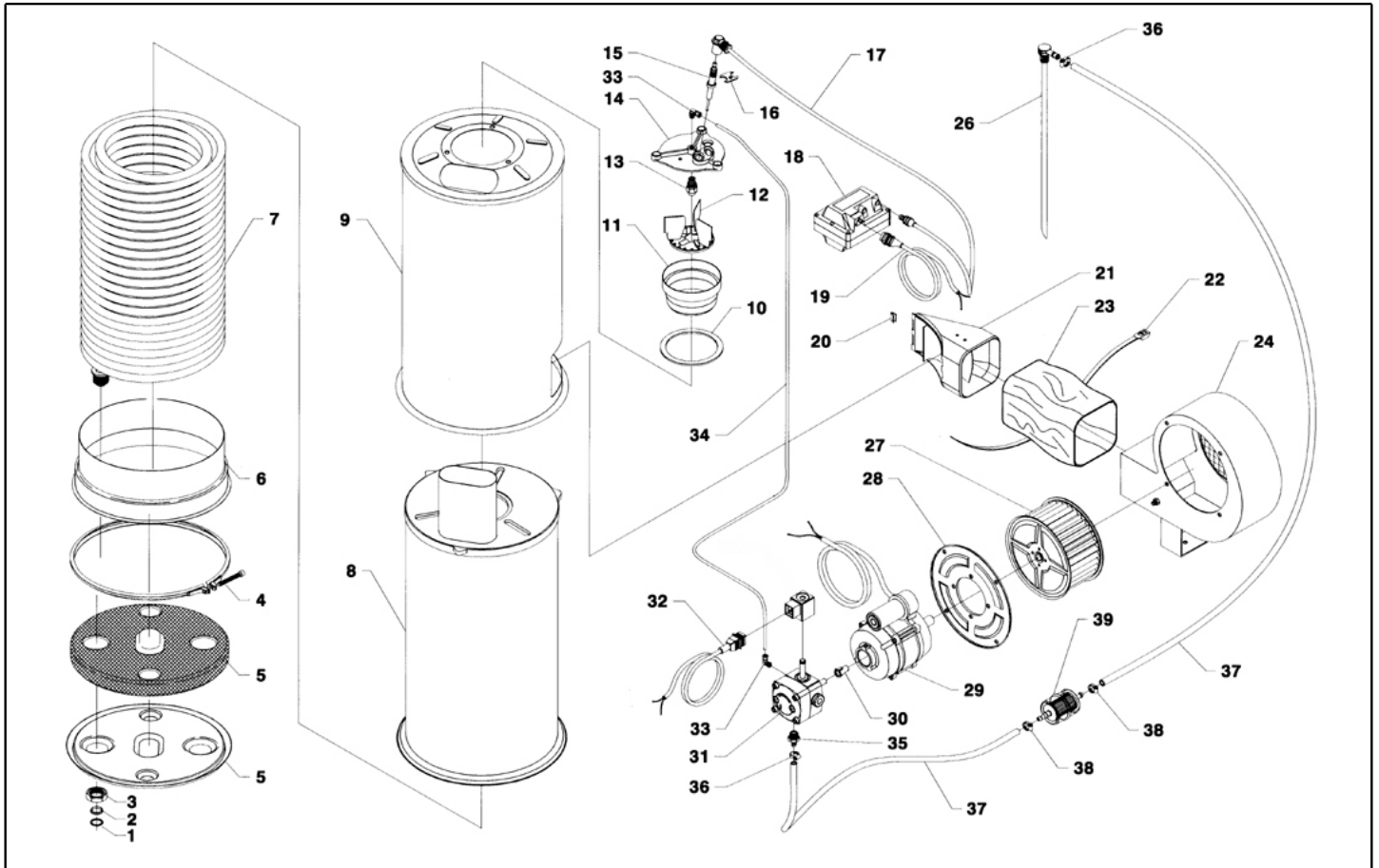
Ref. K	Part n.	Part n. 2	Description	Quantity	Validity		Price
					From	To	
0001	LAFN40081		CHASSIS SLV J. CB4-PL.	1,00	10/01/2008		--
0001	LAFN39447		CHASSIS SLV J.	1,00		09/01/2008	--
0002	LAFN39505		TROLLEY AXLE SLV J.	2,00	10/01/2008		--
0003	RTRT24320		WHEEL D.250-D.25 RT-PRT	4,00	10/01/2008		--
0004	VTRS09813		WASHER D.25	4,00	10/01/2008		--
0005	MPVR25910		RED HUB CAP D. 250 RT/PRT	4,00			--
0006	MPVR29635		BAND SLR PST	1,00			--
0007	MPVR39515		BAND SLV ANT PP	1,00			--
0009	LAFN39740		PIN SLV.M6 M/F L=50	2,00	22/06/1999		--
0010	MPVR29633		BAND SLR SX	1,00			--
0010	MPVR29634		BAND SLR DX	1,00			--
0011	VTVR28636		PLATE M 6 ZNC.	2,00			--
0012	LAFN39509		SUPPORT SLV J.	1,00	10/01/2008		--
0013	LAFN22115		SPACER 14X27 D.8 KSM	1,00	10/01/2008		--
0014	MPVR27897		HANDLE AGN "ELK"	1,00			--
0015	LAFN20105		HOSE SUPPORT KSM	1,00			--
0016	MPVR39518		TANK SLV J.	1,00	10/01/2008		--
0017	MPVR20418		TANK CAP KSM	2,00			--
0018	MPVR20187		RING NUT M 39 X 3	2,00	10/01/2008		--
0019	GUGO11489		GASKET D.22X1,5	2,00	10/01/2008		--
0020	PVVR11806		DISCHARGE CAP FLL	2,00	10/01/2008		--
0021	MEVR20906		CABLE CLAMP KSM	1,00	10/01/2008		--
0022	LAFN39449		MOTOR PLATE SLV J.	1,00			--
0024	LAFN20138		CONTROL BOX KSM ABS BK.	1,00	23/06/1998		--
0025	GUGO27129		JOINT 10X3	1,05	23/06/1998		--
0026	LAFN20139		BOX COVER KSM M.	1,00	23/06/1998		--
0027	MPVR20143		CABLE CLAMP COV KSM	1,00	23/06/1998		--
0028	MPVR10083		TAIL PIECE OKA L=22	1,00	23/06/1998		--
0029	GUGO23079		V-SEAL RING VA0014 13.5- 15.5	1,00	23/06/1998		--
0030	MPVR23484		TAIL PIECE THERM.KSM TUV	1,00	23/06/1998		--
0031	GUGO01035		O-RING D. 13.95 X 2.62 NBR 70SH	1,00	23/06/1998		--
0032	MPVR20190		GREY KNOB KSM	2,00		15/11/2007	--
0032	MPVR46511		GREY KNOB KSM C/F.FIS.	2,00	10/01/2008		--
0034	MPVR39510		RED COVER SLV J. FOR.PPL	1,00			--
0035	TBAP25324		H.P. HOSE R1 MT 10 5/16" C/2 IRV ZC	1,00			--
0036	IPPR43065		GRIP G 2200 +PR.330 +M22 M	1,00	20/04/2000	14/03/2007	--
0036	IPPR89429		GRIP G 4500 - P.330 -M22SW.M V	1,00	15/03/2007	15/04/2014	--
0036	IPPR40010		GRIP G 5100+P.330 +M22 SW.M V	1,00	16/04/2014	29/02/2016	--
0036	IPPR40020		GRIP G 6000+P.330 +M22 SW.M V	1,00	01/03/2016	14/06/2018	--
0036	IPPR40025		GRIP G 6000+P.330 +M22 SW.M 2V	1,00	15/06/2018		--
0037	LCPR12982		DOUBLE EXTENS. PD 50	1,00	07/06/2006	14/03/2007	--
0037	LCPR12983		DOUBLE EXTENS. PD 70	1,00	15/03/2007	09/11/2016	--
0037	LCPR89117		DOUBLE EXTENS. PD 70 M22 M -1/4F INX MV	1,00	10/11/2016		--
0038	UGLN05174		NOZZLE 1/4 5040 OT	1,00	15/03/2007		--



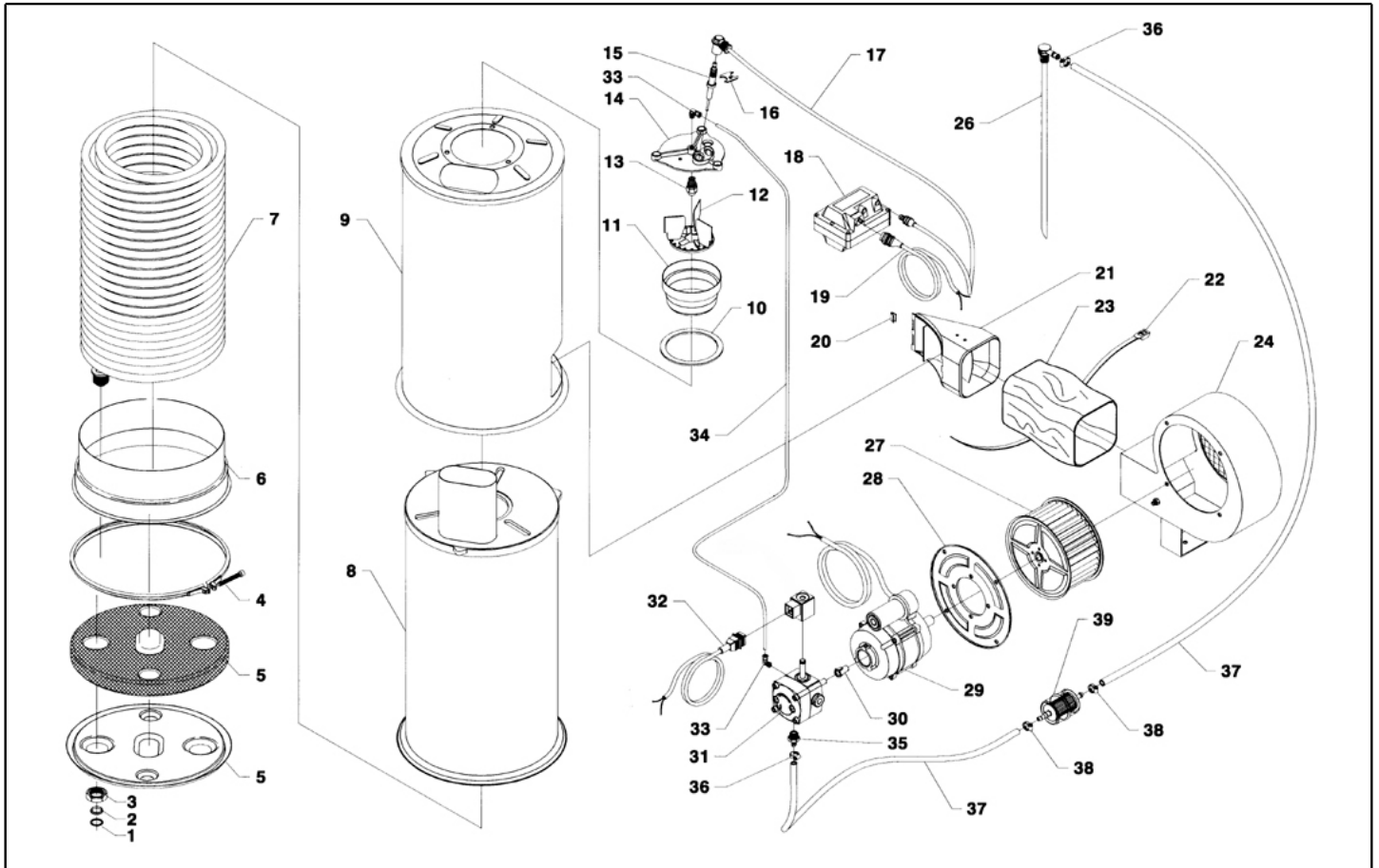
Ref. K	Part n.	Part n. 2	Description	Quantity	Validity		Price
					From	To	
0039	UGLN02287		NOZZLE 1/4 2504	1,00		06/06/2006	--
0039	UGLN49991		NOZZLE LECH 1/4 2504	1,00	15/03/2007		--
0040	MPVR41903		THICKNESS TERM.IM.PA66	1,00	17/11/1999		--
0041	MEVR27264		FUSE-HOLDER 031-1081	1,00	23/06/1998		--
9999	KTRI16996		KIT P 33- 1	1,00	07/01/2003		--



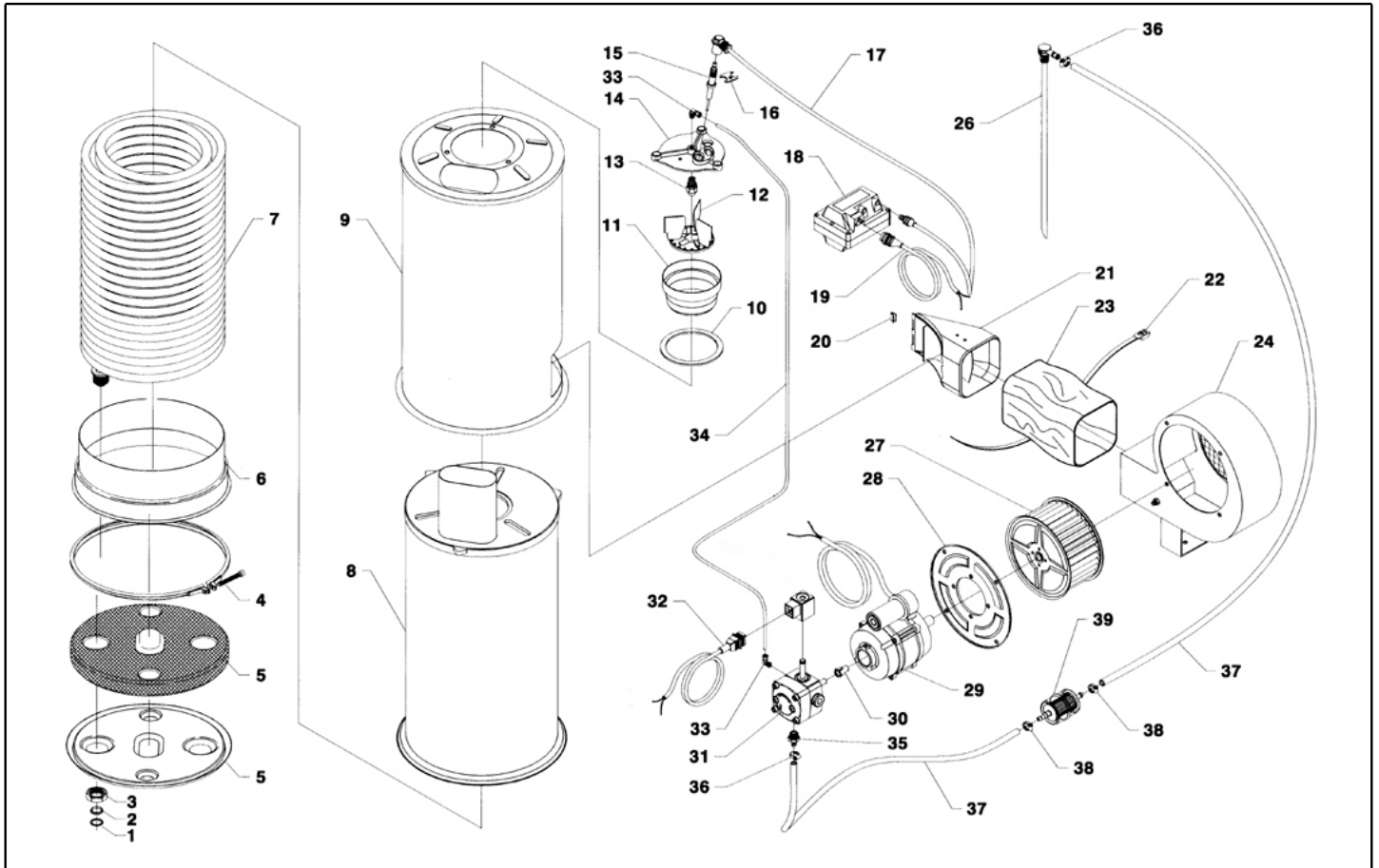
Ref. K	Part n.	Part n. 2	Description	Quantity	Validity		Price
					From	To	
0001	RCDS09316		CONNECTION G. 3/4	1,00			--
0002	RCDS08965		HOSE FITTING OTT.	1,00			--
0003	GUGO01054		O-RING D. 15.08 X 2.62 NBR 70SH	1,00			--
0004	FTAC30214		FILTER D.15X67	1,00			--
0005	RCDS28900		SLEEVE 3/4-1/2 M/F MTH	1,00	10/01/2008		--
0006	RCDS21223		RING NUT 1/2" X 5 NIK	1,00		30/11/2003	--
0006	RCDS49875		RING NUT 1/2"X 6 CH.27 OT.	1,00	10/01/2008		--
0007	VTRS00549		WASHER D.21,5X27X1,5 (1/2) RM	1,00	10/01/2008		--
0008	TBBP39689		L.P. HOSE L=1060 1/2M0° -1/2OC.	1,00	10/01/2008		--
0009	FSVR11957		CLAMP D. 9.5-12 CLIC	2,00	10/01/2008		--
0010	RCDS16328		SCREW G 1/2 D.8	1,00	10/01/2008		--
0011	PPAP39923		PUMP "44" WW186VDX OT.1.9 DS S	1,00			--
0012	RCVR03760		REDUCTION 3/8-1/8 M/F	1,00			--
0013	MNMN37537		PRESSURE GAUGE 0-300 G1/8M "R" D.40	1,00			--
0014	VTDD21787		NUT M28X1.5 L=5	1,00	10/01/2008		--
0015	RCDS21788		RING NUT M 28 X 1.5 L=16	1,00	10/01/2008		--
0016	PVVR22163		NOB L=60 V.INT.	1,00	10/01/2008		--
0017	MEPF39741		PRESSURE SWITCH MTM 1/8M NA/NC 25B. MICRO	1,00	23/06/1998		--
0018	GUGO03501		O-RING D. 9.92 X 2.62 VIT 70SH	1,00			--
0019	UGEI29760		NOZZLE D. 1.9 KR OT58	1,00	14/07/1998		--
0020	GUGO03507		O-RING D. 13.95 X 2.62 VIT 70SH	1,00			--
0021	RCDS19348		CONNECTOR 3/8M-F D.3 L=45	1,00			--
0022	VTRS00548		WASHER D.17,5X23X1,5 (3/8)RM	1,00	10/01/2008		--
0024	TBAP39688		HOSE-FITTING 3/ 8 R2 L=680 3/8OC -PM26	1,00	10/01/2008		--
0025	RCDS07931		SCREW G 3/8 + 1/4F A.P.	1,00	10/01/2008		--
0026	VVSC39719		VALVE MG 2000 G1/4M 150B MIGNON	1,00		14/12/2004	--
0026	VVSC47427		VALVE MG 1000 G1/4M-M D.8 250B	1,00	10/01/2008		--
0027	MOTR38907		3PH MOTOR SLV HP5.5 400-50 2P IP SG	1,00		25/05/2005	--
0027	MOTR88934		3PH MOTOR SLV HP5.5 400-50 2P IP ED	1,00	26/05/2005		--
0028	MFVR30575		FLANGE MOTOR H90 SGA 2P	1,00			--
0029	MFVR12682		COUNTERFLANGE MEC 90 SGA	1,00			--
0030	GUGO21339		O-RING D. 29.82 X 2.62 VIT 70SH	1,00			--
0031	RCDS25578		BUSHING IP WW141 OT.	1,00			--
0032	GUGO21337		O-RING D. 25.07 X 2.62 VIT 70SH	1,00			--
0033	TBBP04917		L.P. HOSE D. 6- 9	1,00	10/01/2008	30/04/2012	--
0033	TBBP93804		L.P. HOSE D. 6- 9	1,00	01/05/2012		--
0034	TBAP20184		HOSE-FITTING 3/ 8 R2 L=320 3/8F90-PM26	1,00	10/01/2008		--
0035	RCDS20186		NIPPLE 3/8 - 14X1.5 SV	1,00			--
0036	RCDS19322		BLOC BODY 3/8F-M14	1,00			--
0037	RCDS20136		SUCTION L= 355 C.	1,00	10/01/2008		--
0038	VTRS22537		WASHER D. 16	1,00	10/01/2008		--
0040	RCDS13012		NIPPLE M22-3/8 D. 7.5	1,00	10/01/2008		--



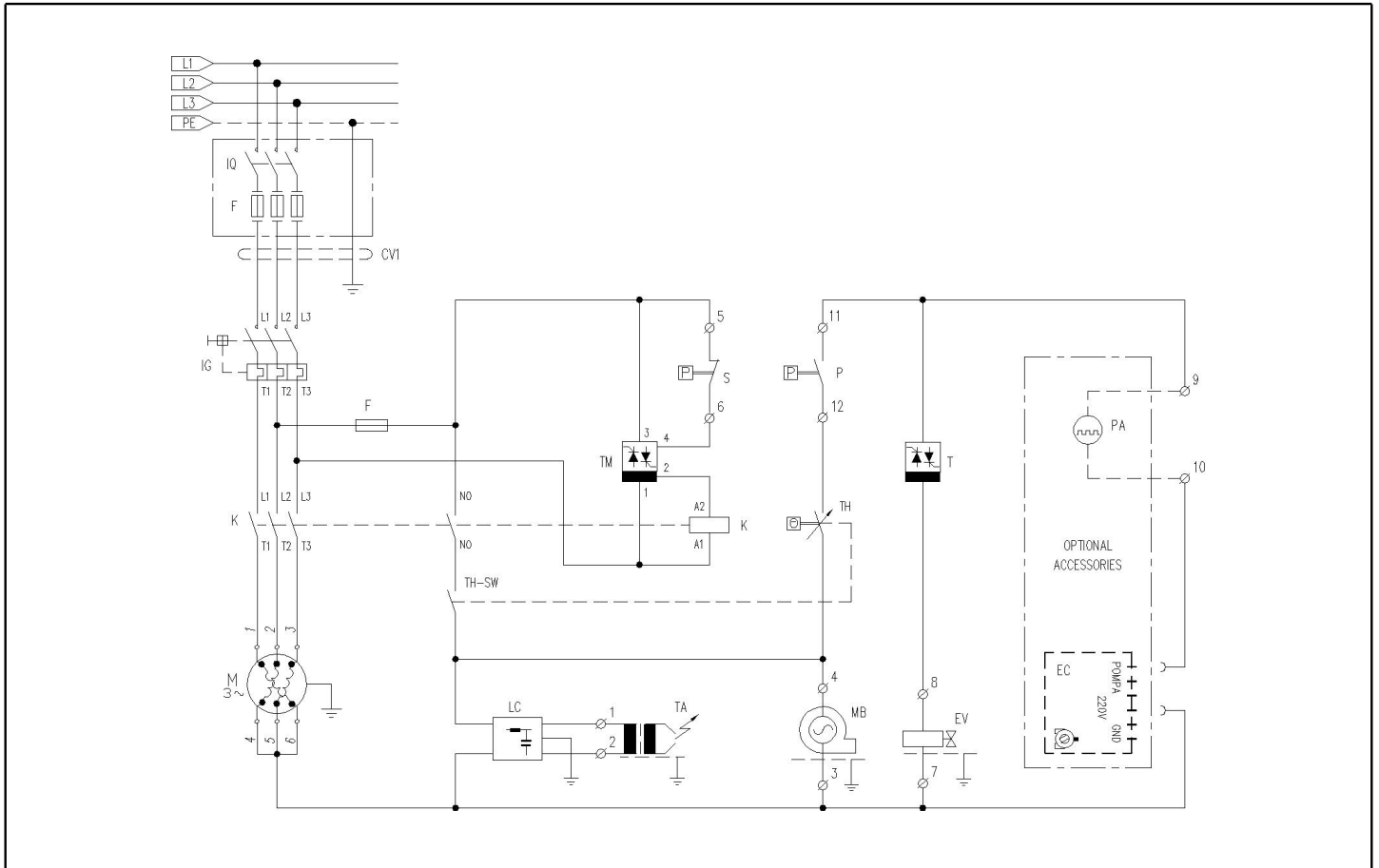
Ref. K	Part n.	Part n. 2	Description	Quantity	Validity		Price
					From	To	
0001	S	GUGO21222	O-RING D. 15.54 X 2.62 VIT 80SH	2,00	10/01/2008	--	--
0002	S	GUVR21021	ANTI-EXTR.RING D. 21 X17 TEF.	2,00	10/01/2008	--	--
0003	S	RCDS21120	RING NUT M 26 X 1,5	2,00	10/01/2008	--	--
0004		LAFN20108	RING D.298 KSM	1,00		--	--
0005		ITTE48373	BOTTOM KSM C.TE	1,00	24/04/2003	--	--
0005		LAFN20109	BOILER BOTTOM KSM D.280	1,00		23/04/2003	--
0005		LAFN48448	BOILER BOTTOM KSM 2V. ZN	1,00	24/04/2003	--	--
0006		GUGO00409	JOINT 15X3	0,80	10/01/2008	--	--
0006		GUVR21756	FIB.GLASS CORD D. 12 GR/M 25	0,85		23/04/2003	--
0006		LAFN48368	BAND KSM 2V. INX	1,00	24/04/2003	--	--
0007		LAFN39544	DOUBLE COIL M26X1.5 SLV 30M	1,00		--	--
0008		LAFN39537	INT. CYLINDER SLV INX	1,00		--	--
0009		LAFN39540	EXT. CYLINDER SLV INX	1,00		--	--
0010		GUVR25775	GASKET D. 105/88 X 3	1,00	10/01/2008	--	--
0011		LAFN29774	NOSEPIECE SLR	1,00	10/01/2008	--	--
0012		LAFN30294	BAFFLE KSM/AGN	1,00	10/01/2008	--	--
0013		UGBR18632	BURNER NOZZLE 0.85 45° W	1,00	24/02/1999	--	--
0014		MFVR19964	ELECTR.HOLDER KSM	1,00		26/01/2005	--
0014		MFVR88612	ELECTR.HOLDER KSM 1/8CN.	1,00	27/01/2005	--	--
0015	S	MECA18232	ELECTRODE L=101.5 KSM	2,00		--	--
0016	S	LAFN20123	PLATE KSM INX	1,00		--	--
0017		MECV35336	CABLE A.T. 9.8-23KOHM/M L= 750P	2,00	13/07/1999	--	--
0018		METR34464	TRANSFORMER 230V-50HZ 2X4000V SP4 CM	1,00	23/06/1998	--	--
0019		MECB34463	CABLE BT L=800 SP. FD	1,00	23/06/1998	--	--
0020		MPVR21415	CLIP KSM	2,00	10/01/2008	--	--
0021		MPVR40014	CONVEYOR CB4-FBX PA6	1,00	10/01/2008	--	--
0022		FSVR09455	CLAMP LG 31921 9 X760	2,00		--	--
0023		GUVR40009	SLEEVE SLV H=180	1,00	10/01/2008	--	--
0023		GUVR37987	SLEEVE SLR H=225	1,00		09/01/2008	--
0024		LAFN33966	SCROLL CB3 -MST	1,00		09/01/2008	--
0024		LAFN40080	BRACKET SLV. CB4-PL.	1,00	10/01/2008	--	--
0024		MPVR40010	SCROLL CB4 -2PZ.CP	1,00	10/01/2008	05/11/2015	--
0024		MPVR40665	SCROLL CB4 -2PZ.GR.	1,00	06/11/2015	--	--
0027		VEVR34274	IMPELLER D.137-80 D.12.7 32P B.SX	1,00		09/01/2008	--
0027		VEVR34275	IMPELLER D.160-80 D.12.7 36P B.SX	1,00	10/01/2008	--	--
0028		LAFN10272	MOTOR PLATE CB 3	1,00	10/01/2008	--	--
0029		MOMB28929	BURNER MOTOR 230-50 IP44 110W A.OR	1,00	10/01/2008	--	--
0030		KTRI36516	KIT P 18- 9	1,00		--	--
0031		PPGS18242	FUEL PUMP DLT VM1LL15	1,00		28/02/2005	--
0031		FTCO88927	FUEL FILTER S.AL	1,00	01/03/2005	--	--
0031		PPGS40010	FUEL PUMP DNF BFA 01L3R1	1,00	01/04/2010	--	--
0031		PPGS88084	FUEL PUMP DLT ALLUM. A1L1	1,00	10/01/2008	31/03/2010	--
0032		MECB18118	CABLE DLT L=1.600	1,00	23/06/1998	--	--
0033		RCVR08954	ELBOW 1/8"-4 B5	1,00	01/03/2015	--	--



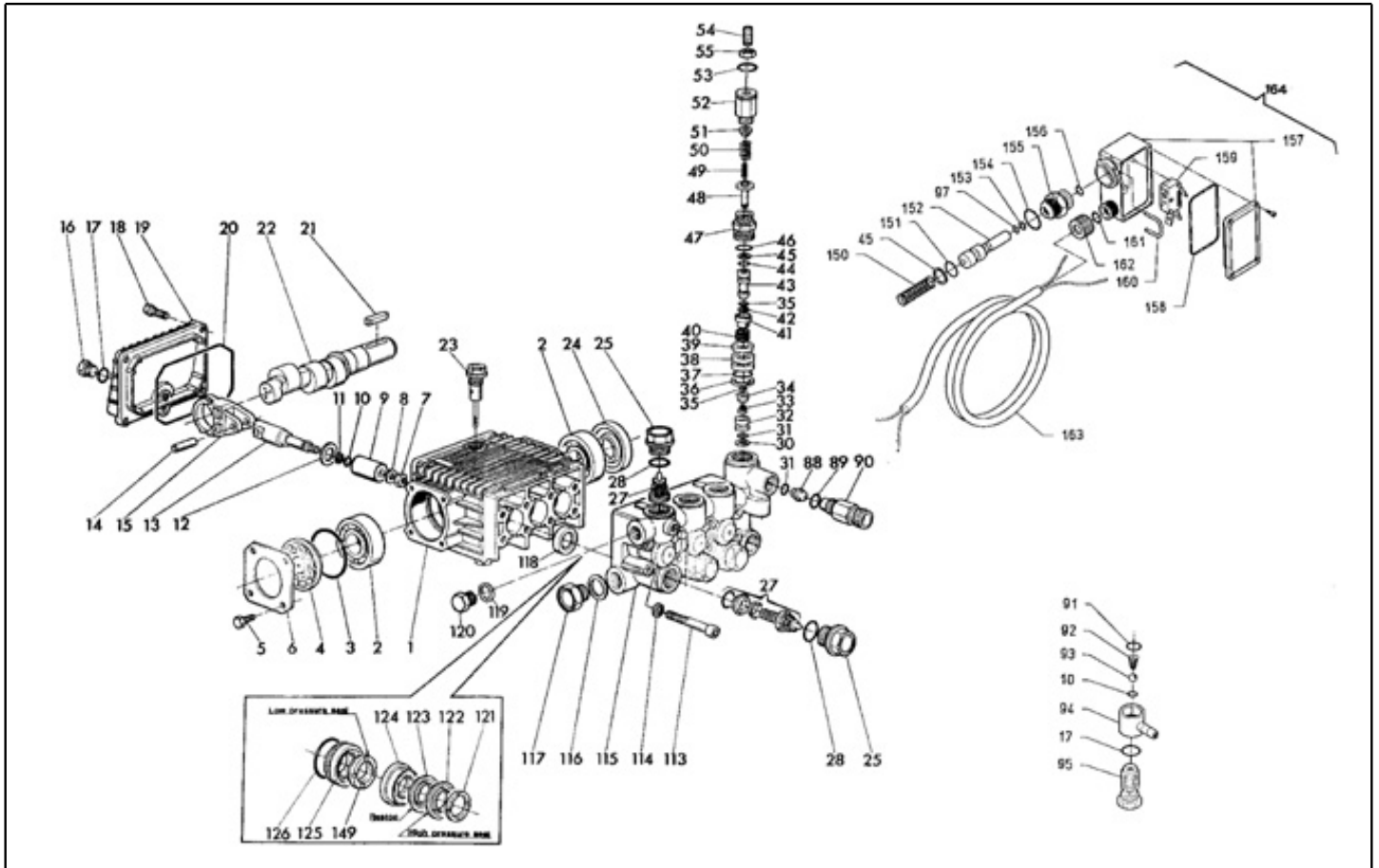
Ref. K	Part n.	Part n. 2	Description	Quantity	Validity		Price
					From	To	
0033	RCVR08954		ELBOW 1/8"-4 B5	1,00		30/06/2013	--
0033	RCVR14014		BI-CONE CONNEC. DTT 1/8" M B1 D. 2/ 4 NIK	1,00	01/07/2013	31/10/2013	--
0033	RCVR72867		CONNECTOR A "T" 1/8" FFM	1,00	01/07/2013	31/10/2013	--
0033	RCVR40126		BI-CONE CONNEC. T 1/8" M/F D. 4/ 6C NK.	1,00	01/11/2013	28/02/2015	--
0033	RCVR89230		CAP G 1/8 M C/O-RING.	1,00	01/07/2013	28/02/2015	--
0034	TBCO39687		DIESEL HOSE D. 4 SLV 30M	1,00	10/01/2008	09/04/2017	--
0034	TBCO40024		DIESEL HOSE D. 4 SLV 30M IX	1,00	10/04/2017		--
0035	RCDS00626		HOSE FITTING 1/4 M D. 5- 7	1,00	10/01/2008		--
0036	FSVR00427		CLAMP D. 12 CLIC 66-110	2,00	10/01/2008		--
0037	TBCO06945		L.P. HOSE D. 6-12 10BAR C.PRESS	0,60			--
0038	S FSVR11197		CLAMP D.12.9-13.6	2,00			--
0039	S FTCO10912		FILTER FB 13/T NYL.	1,00			--



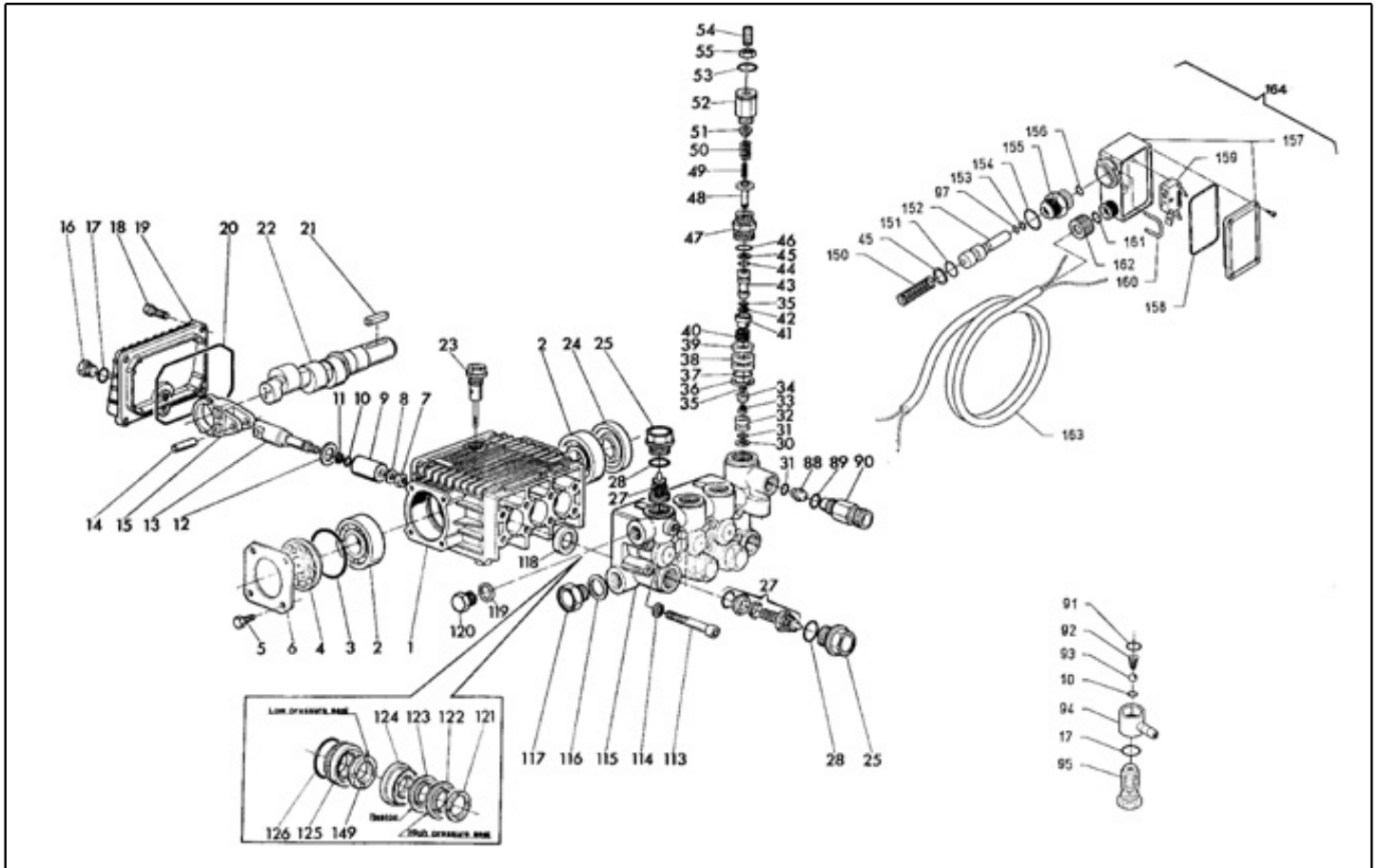
Ref. Part n.	Part n. 2	Description	Reference	Price
KTRI22585		KIT P 25- 1	0001 0002 0003	--
KTRI22586		KIT P 19- 5	0015 0016	--
KTRI23196		KIT P 22- 4	0038 0039	--



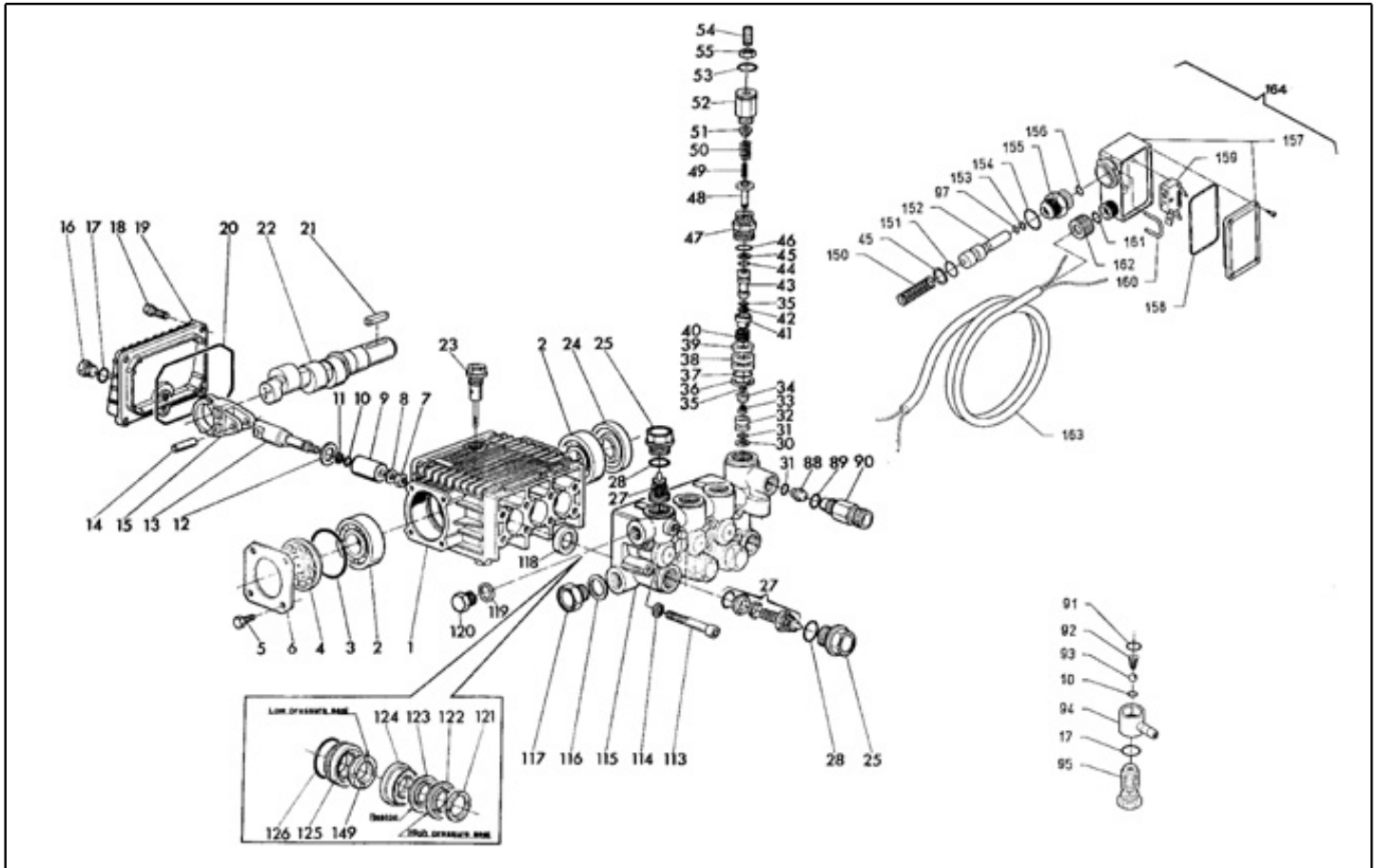
Ref. K	Part n.	Part n. 2	Description	Quantity	Validity		Price
					From	To	
F	MEVR00237		FUSE 5X20 3,15A	1,00	23/06/1998		--
K	METT36444		CONTACTOR MICRO MC1 A 400A TU 400V	1,00	23/06/1998	27/11/2001	--
K	METT40013		CONTACTOR SIE 3RT 2017-1AV01 400V	1,00	15/10/2014		--
K	METT40664		CONTACTOR SIE 3RT 1017 1AV01 400V	1,00	28/11/2001	14/10/2014	--
M	MOTR38907		3PH MOTOR SLV HP5.5 400-50 2P IP SG	1,00			--
P	MEPF39741		PRESSURE SWITCH MTM 1/8M NA/NC 25B. MICRO	1,00			--
S	MEPF39924		PRESSURE SWITCH SLV N.A. 16(6)A XGA 2	1,00	24/03/2003		--
T	METY06856		TIMER SAS S10 230V 3SEC CID	1,00	23/06/1998		--
EV	MEBE18120		COIL DLT 220-50 S/CV.	1,00			--
EV	MEBE18120		COIL DLT 220-50 S/CV.	1,00	23/06/1998	28/02/2005	--
EV	MEBE43705		COIL DNF 220-50	1,00	01/04/2010		--
EV	MEBE49881		COIL DLT 220-50 NF84	1,00	01/03/2005	31/03/2010	--
IG	MECI08294		SWITCH O.K.N. 10-16 A	1,00	23/06/1998		--
LC	MECE34831		FILTER LC F.AH.DA.3100ZF 6.5A	1,00	23/06/1998		--
MB	MOMB28929		BURNER MOTOR 230-50 IP44 110W A.OR	1,00			--
TA	METR34464		TRANSFORMER 230V-50HZ 2X4000V SP4 CM	1,00			--
TH	METK33752		THERMOSTAT 30-150°C TR/711-N+ BS75	1,00	23/06/1998		--
TM	METY37439		TIMER THV/1S 380-415V 30S.5/60	1,00	23/06/1998	31/08/2015	--
TM	METY40000		TIMER THV/1 400-5/60 30S.VM	1,00	01/09/2015		--
CV1	MECB19582		CABLE H07 RNF 4X1.5 L=6.500	1,00	23/06/1998		--



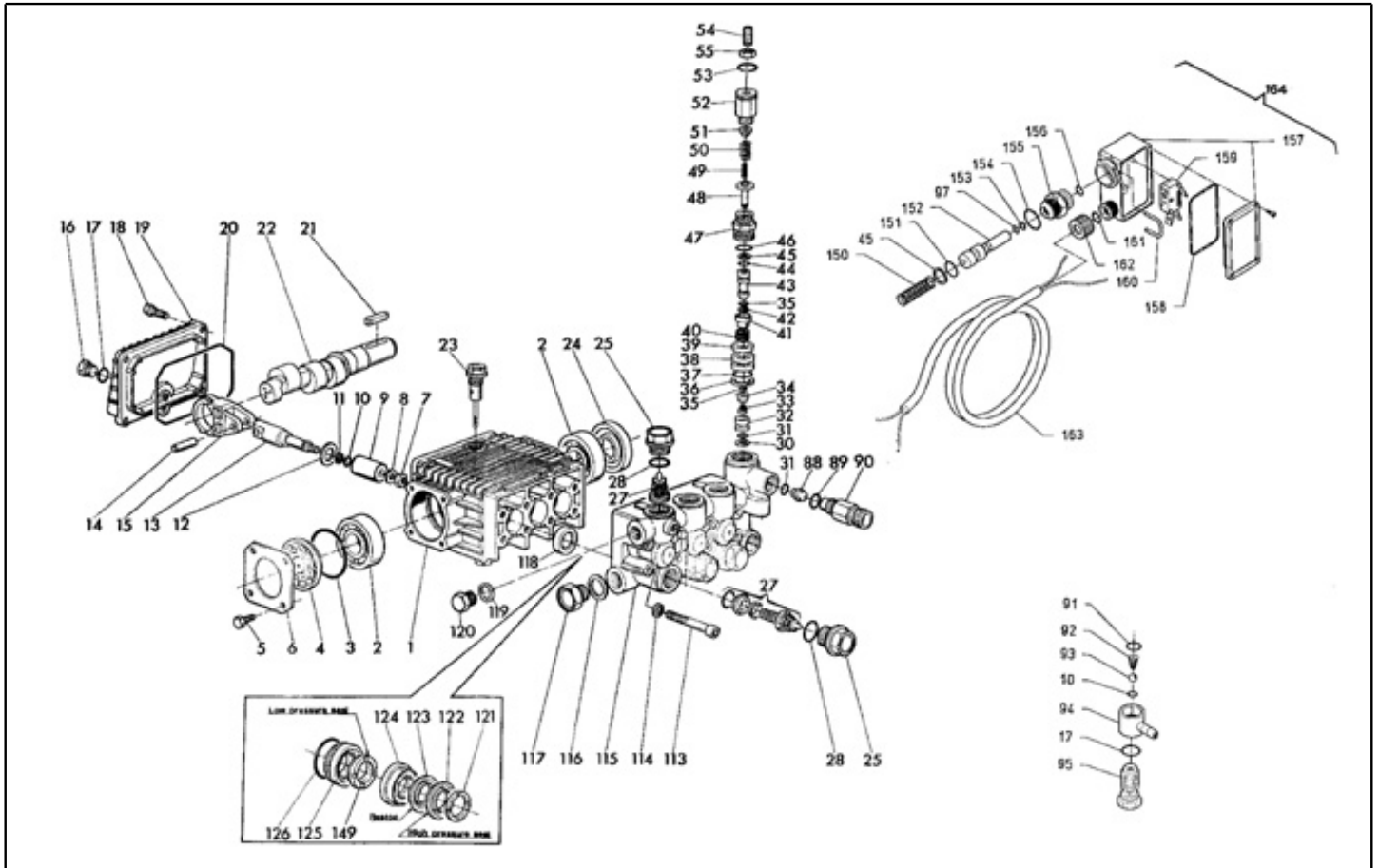
Ref. K	Part n.	Part n. 2	Description	Quantity	Validity		Price
					From	To	
0001	MFVR28453		PUMP CRANKCASE "44"	1,00			--
0002	CUVR09654		BALL BEARING 6305	2,00			--
0003	GUGO01040		O-RING D. 55.56 X 3.53 NBR 70SH	1,00			--
0004	MFVR28454		SPACER "44"	1,00			--
0005	VTVT01109		SCREW TE M 6X 10 ZC. UNI 5739	4,00			--
0006	MFVR03562		CRANKCASE COVER W 70	1,00			--
0007	VTDD04284		NUT M8X1,25 X13X5 S2 INX	3,00			--
0008	VTRS09321		WASHER D. 8X13X1	3,00		29/07/2002	--
0008	VTRS46027		WASHER D. 8 C/CLL.	3,00	30/07/2002		--
0009	PIVR09319		PISTON D.15 TURBO 14.160	3,00			--
0010	S GUGO01055		O-RING D. 5.28 X 1.78 VIT 70SH	4,00			--
0011	GUVR10257		ANTI-EXTR.RING WW161	3,00			--
0012	VTRS28456		WASHER D.16 X28 X1 PVC	3,00			--
0013	PVVR28457		PISTON GUIDE "44"	3,00			--
0014	PVVR28458		GUDGEON D.10X29.5 "44"	3,00			--
0015	BLVR28459		CONNECTING ROD "44"	3,00			--
0016	RCDS01088		CAP 1/4X 9 M WW90	1,00			--
0017	S GUGO01036		O-RING D. 10.82 X 1.78 NBR 70SH	2,00			--
0018	VTVT01114		SCREW TCEI 6X14 UNI 5931	5,00			--
0019	MFVR28460		CRANKCASE COVER "44"	1,00			--
0020	GUGO18695		O-RING D. 101.27 X 2.62 NBR 70SH	2,00			--
0021	VTVR09510		KEY 8X7X35	1,00			--
0022	ALMO28462		SHAFT "44" WW 186	1,00			--
0023	PVVR01089		OIL DIPSTICK W 70	1,00			--
0024	GUGO28465		OIL SEAL 25X 62X10 NBR70	1,00			--
0025	S RCDS28466		CAP M24X1.5X17 "44"	5,00			--
0027	S VVAM28467		VALVE UNIT "44" WW136-186	6,00			--
0028	S GUGO19395		O-RING D. 20.24 X 2.62 NBR 70SH	6,00			--
0030	S GUVR11651		ANTI-EXTR.RING D. 10.6X15X2	1,00			--
0031	S GUGO03501		O-RING D. 9.92 X 2.62 VIT 70SH	2,00			--
0032	S PVVR12887		VALVE SEAT CONTROL SET W1	1,00			--
0033	S VTVT18667		SCREW M 5X0,8X7,5	1,00			--
0034	S PVVR18668		VALVE CLT	1,00			--
0035	S GUGO03497		O-RING D. 6.75 X 1.78 VIT 80SH	2,00			--
0036	S GUVR28469		ANTI-EXTR.RING D.22 X25X1,5	1,00			--
0037	S GUGO08182		O-RING D. 21.91 X 1.78 NBR 70SH	1,00			--
0038	S PVVR28470		VALVE GUIDE "44"	1,00			--
0039	S PVVR28471		VALVE "44"	1,00			--
0040	S MLML28472		SPRING D. 18.5 X11 "44"	1,00			--
0041	S PVVR28473		SPACER "44"	1,00			--
0042	S GUVR04309		ANTI-EXTR.RING HM	1,00			--
0043	S PVVR28474		CONTROL PISTON "44"	1,00			--
0044	S GUGO01946		O-RING D. 9.13 X 2.62 VIT 70SH	1,00			--
0045	S GUVR01940		ANTI-EXTR.RING D. 9.5X14X1,5	2,00			--



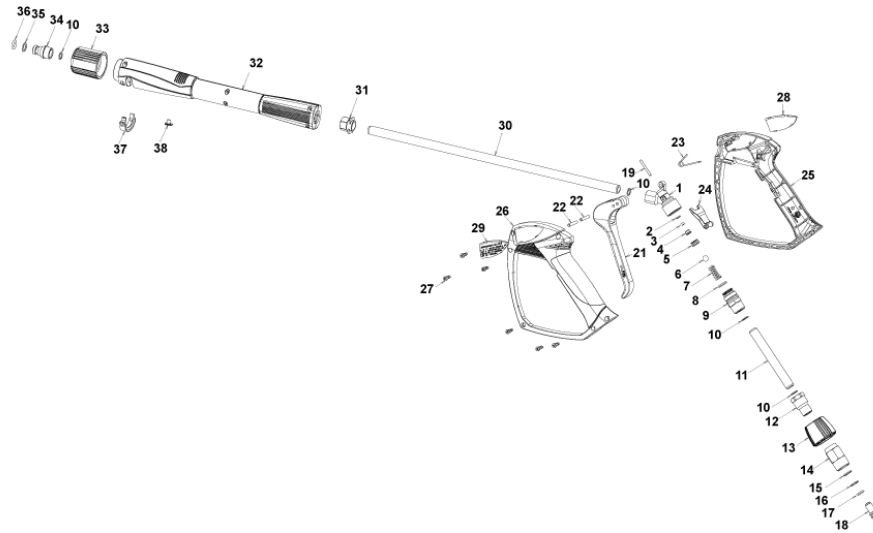
Ref. K	Part n.	Part n. 2	Description	Quantity	Validity		Price
					From	To	
0046	GUGO01037		O-RING D. 23.81 X 2.62 NBR 70SH	1,00			--
0047	PVVR28475		BUSHING "44"	1,00			--
0048	PVVR28476		SPRING PLATE "44" INF.	1,00			--
0049	MLML28477		SPRING D. 7.6 X29 "44"	1,00			--
0050	MLML11655		SPRING D. 15X35	1,00			--
0051	PVVR11656		SPRING PLATE W1	1,00			--
0052	PVVR18672		REGISTER COLT	1,00			--
0053	GUGO01057		O-RING D. 20.35 X 1.78 NBR 70SH	1,00			--
0054	VTVT20196		SCREW EI-ST 8X20 UNI5923	1,00			--
0055	VTDD09708		NUT M 8 UNI 5589	1,00			--
0088	UGEI29760		NOZZLE D. 1.9 KR OT58	1,00			--
0089	S GUGO03507		O-RING D. 13.95 X 2.62 VIT 70SH	1,00			--
0090	RCDS19348		CONNECTOR 3/8M-F D.3 L=45	1,00			--
0091	S GUGO03496		O-RING D. 9.25 X 1.78 NBR 70SH	1,00			--
0092	S MLML04264		SPRING D. 4.3X11X7.3 KR	2,00			--
0093	S SFVR04274		BALL D. 7/32	2,00			--
0094	RCDS20865		CONNECTOR O. D.14 - 3-6	1,00			--
0095	PVVR09709		VALVE SEAT KR	1,00			--
0097	S GUGO08071		O-RING D. 4.48 X 1.78 NBR 70SH	2,00			--
0113	VTVT01121		SCREW TCEI 8X60 UNI5931	8,00			--
0114	VTRS01072		WASHER D. 8 TC	12,00			--
0115	MFVR39918		HEAD "44" WW D.15 V.I.TS	1,00			--
0116	VTRS01075		WASHER D.21,5X27 ALL	1,00			--
0117	RCDS01091		CAP 1/2X10 M	1,00			--
0118	S GUGO01001		OIL SEAL 20X 30X 5 NBR70	3,00			--
0119	VTRS01074		WASHER D.17,05X22,3 X1,5	1,00			--
0120	RCDS01090		CAP 3/8X13 M WW90	1,00			--
0121	S PVVR09327		HEAD RING D. 15	3,00			--
0122	S GUVVR09324		PACKING D. 15 TURBO	3,00			--
0123	S GUVVR15117		PACKING D. 15 RESTOP	3,00			--
0124	S PVVR09326		INTERMED. RING D. 15 TURBO	3,00			--
0125	S PVVR28505		PACKING RETAIN. D. 15 "44"	3,00			--
0126	S GUGO01039		O-RING D. 31.47 X 1.78 NBR 70SH	3,00			--
0149	S GUVVR34582		PACKING D. 15 L.P.	3,00			--
0150	S MLML39786		SPRING D. 7.5 X 37.5 INX	1,00			--
0151	S GUGO28927		O-RING D. 9.13 X 2.62 NBR 70SH	1,00			--
0152	S PVVR39690		CONTROL PISTON T-STOP "44" OT	1,00			--
0153	S GUVVR37627		ANTI-EXTR.RING D. 5.2X 8 X1.5	1,00			--
0154	S GUGO09720		O-RING D. 14 X 1.78 NBR 70SH	1,00			--
0155	S PVVR37626		PISTON GUIDE T-STOP PRM OT	1,00			--
0156	S GUGO06988		O-RING D. 7.66 X 1.78 NBR 70SH	1,00			--
0157	MPVR37623		SHELL T-STOP PRM PA	1,00			--
0158	GUGO01046		O-RING D. 45.69 X 2.62 NBR 70SH	1,00			--
0159	MECI37646		MICROSWITCH XGA2-88 16(6)A	1,00			--



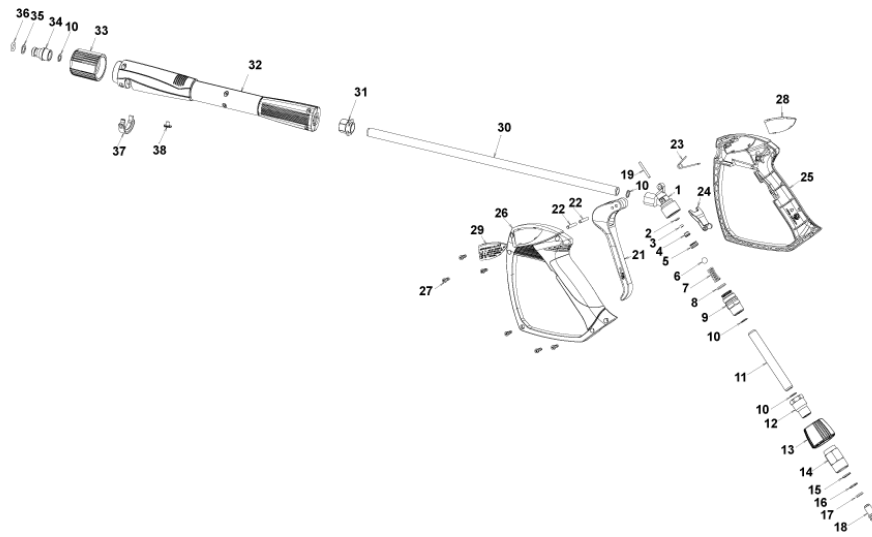
Ref. K	Part n.	Part n. 2	Description	Quantity	Validity		Price
					From	To	
0160	LAFN37625		PLUG *U* T-STOP PRM INX	1,00			--
0161	GUGO06824		O-RING D. 6 X 3 NBR 70SH	1,00			--
0162	MEVR27423		RING NUT MTH	1,00			--
0163	MECB39792		CABLE N.239 2X1 SG L=950	1,00			--
0164	MEPF39924		PRESSURE SWITCH SLV N.A. 16(6)A XGA 2	1,00			--



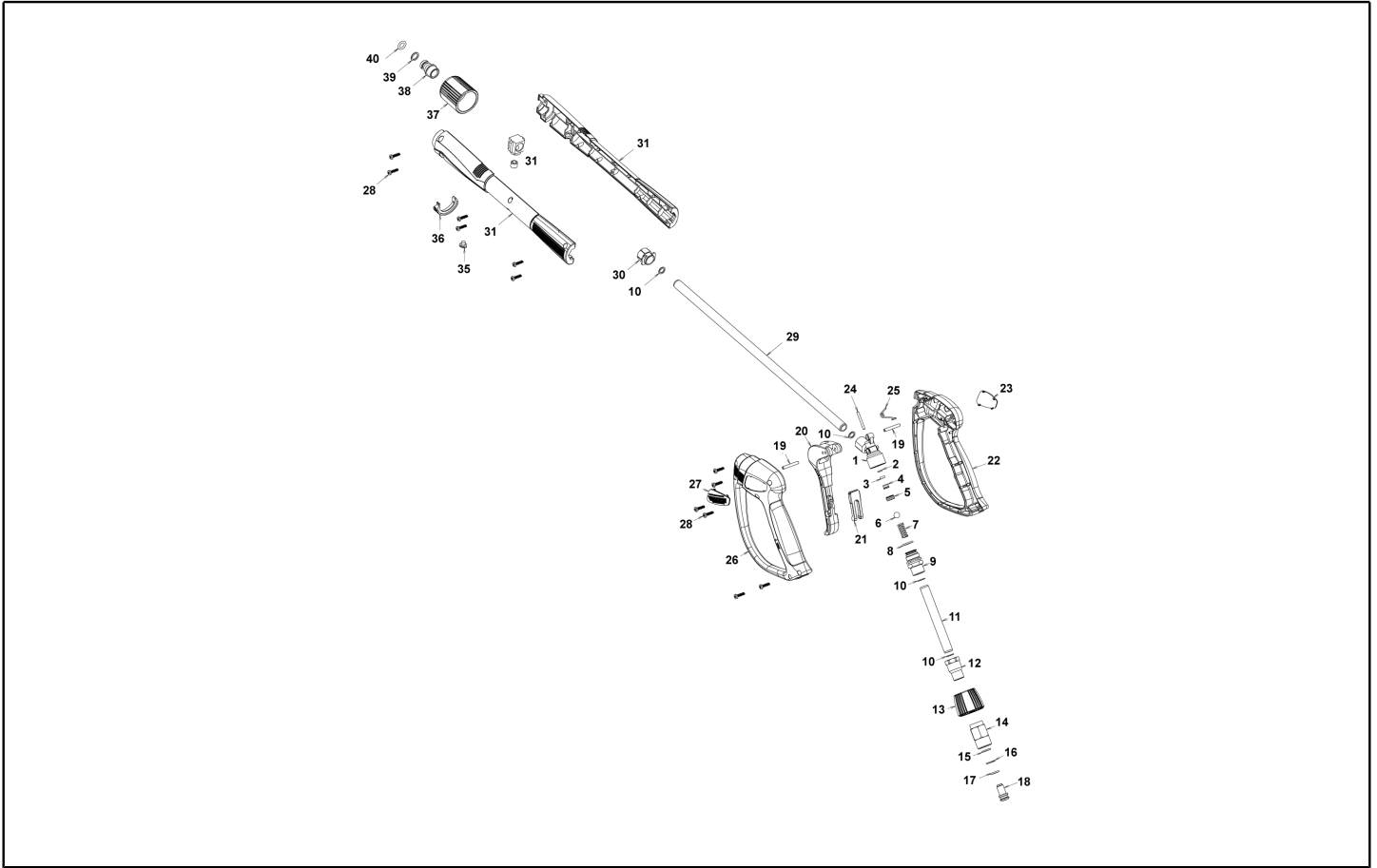
Ref. Part n.	Part n. 2	Description	Reference	Price
KTRI18656		KIT P 15- 94	0010 0017 0031 0089 0091 0092 0093	--
KTRI28510		KIT P 15-124	0025 0028	--
KTRI28508		KIT P 15-123	0027	--
KTRI28526		KIT P 137	0030 0031 0032 0033 0034 0035 0036 0037 0038 0039 0040 0041 0042 0043 0044 0045	--
KTRI18585		KIT P 23	0118	--
KTRI21660		KIT P 90	0121	--
KTRI28522		KIT P 130	0121 0122 0123 0124 0125 0126 0149	--
KTRI21658		KIT P 88	0122 0123 0149	--
KTRI21659		KIT P 89	0124	--
KTRI28512		KIT P 15-125	0125 0126	--
KTRI40084		KIT P 15-144 C.PIST. TST "44"	0045 0097 0150 0151 0152 0153 0154 0155 0156	--



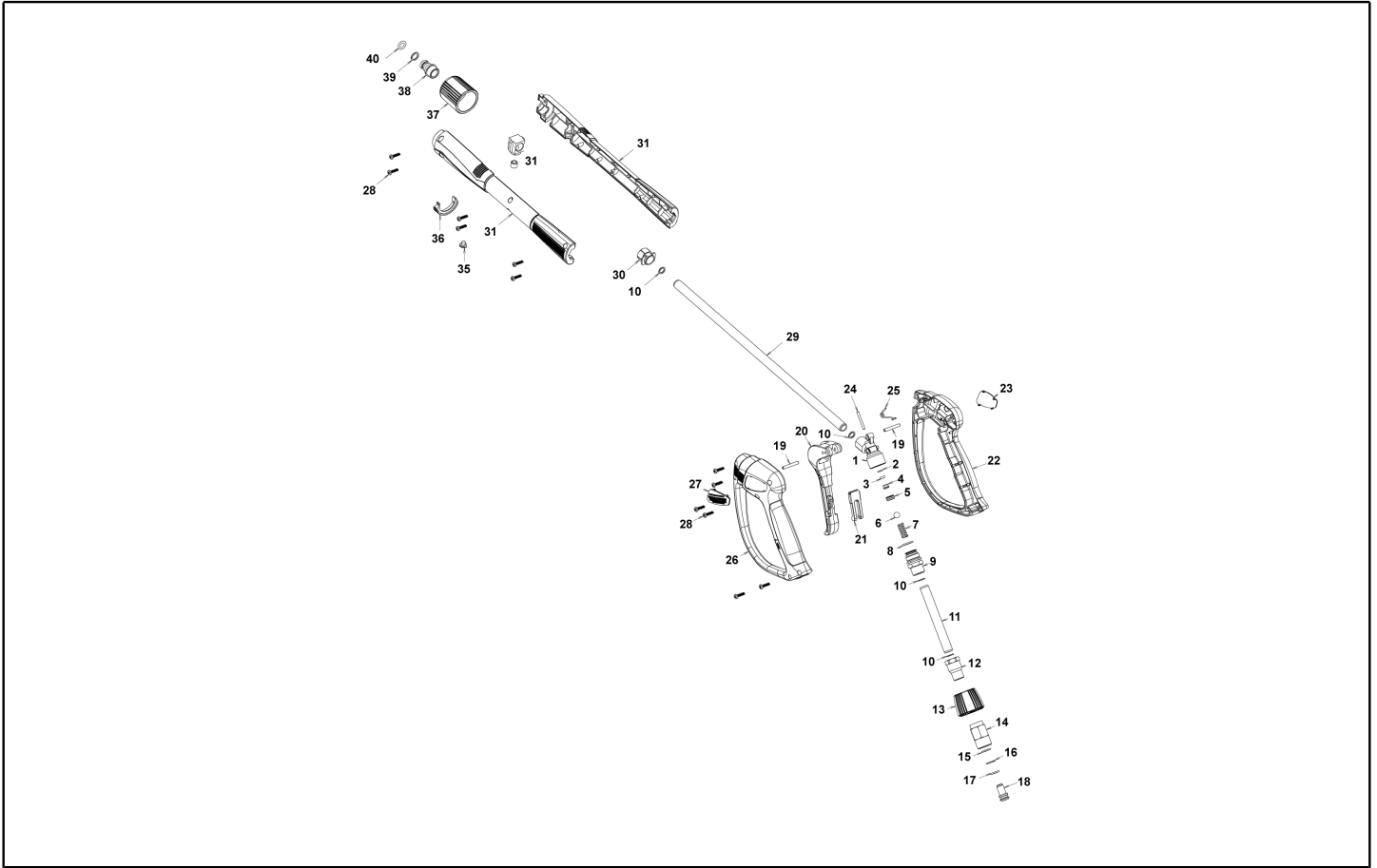
Ref. K	Part n.	Part n. 2	Description	Quantity	Validity		Price
					From	To	
0001	PVVR40381		GUN BODY G 5100 G1/4F	1,00			--
0002	S	GUVR40074	ANTI-EXTR.RING D. 3 X 7.4X1.3	1,00			--
0003	S	GUGO21835	O-RING D. 2.84 X 2.62 VIT. 80SH	1,00			--
0004	PVVR40382		PISTON GUIDE G 5100	1,00			--
0005	S	PVVR40112	BALL SEAT G 5000	1,00			--
0006	S	SFVR27026	BALL D.11/32" INX	1,00			--
0007		MLML40016	SPRING D. 9.4 x21.5x1.6 G5000	1,00			--
0008		GUGO12322	O-RING D. 14 X 1.78 NBR 90SH	1,00			--
0009		PVVR40383	CONNECTOR COLL.G5100 1/4F	1,00			--
0010		VTRS40017	WASHER D. 8.2X11,4X1.00	4,00			--
0011		PVVR40384	TUBE G 1/4" L.105	1,00			--
0012		RCIN40022	CONNECTOR SWIV G5100 1/4F	1,00			--
0013		MPVR40486	RING NUT G 5100 SW. GR.	1,00			--
0014		RCIN40021	JOINT SWIV 5100 M22	1,00			--
0015	S	GUVR40075	ANTI-EXTR.RING D. 10 X14X1.5	1,00			--
0016	S	GUVR40076	ANTI-EXTR.RING D. 11.2X14X1.2	1,00			--
0017	S	GUGO15295	O-RING D. 10.82 X 1.78 VIT 75SH	1,00			--
0018		PVVR40386	SCREW SW. G 5100	1,00			--
0019		PVVR40387	SMALL PISTON G 5100	1,00			--
0021		MPVR40487	TRIGGER G 5100-SW	1,00			--
0022		VTVR40047	PLUG D. 4X29	2,00			--
0023		MLML40029	SPRING G 5100	1,00			--
0024		MPVR40488	SAFETY-DEVICE G 5100-SW	1,00			--
0025		MPVR40489	SHELL G 5100-SW DX	1,00			--
0026		MPVR40490	SHELL G 5100-SW SX	1,00			--
0027		VTVT40043	SCREW AF 4X 14 HILO ZN.N	6,00			--
0028		MPVR40491	PLATE G 5100 GR.DX	1,00			--
0029		MPVR40492	PLATE G 5100 GR.SX	1,00			--
0030		LCPR40086	TUBE 1/4 L=420 ZC. 0°	1,00			--
0031		MPVR40493	CONNECTOR G 5100-SW	1,00			--
0032		MPVR40494	PROTECTION P 420 C/AN.	1,00			--
0033		PVVR40119	CONNECTION M22X1.5 IRV G5000	1,00			--
0034		RCIN40009	GUDGEON G 1/4 F IRV G5000	1,00			--
0035		GUVR40034	ANTI-EXTR.RING D. 10 X14	1,00			--
0036		GUGO01946	O-RING D. 9.13 X 2.62 VIT 70SH	1,00			--
0037		MPVR40495	CAP G 5100 REM.	1,00			--
0038		MPVR40198	CAP G 5000	1,00			--



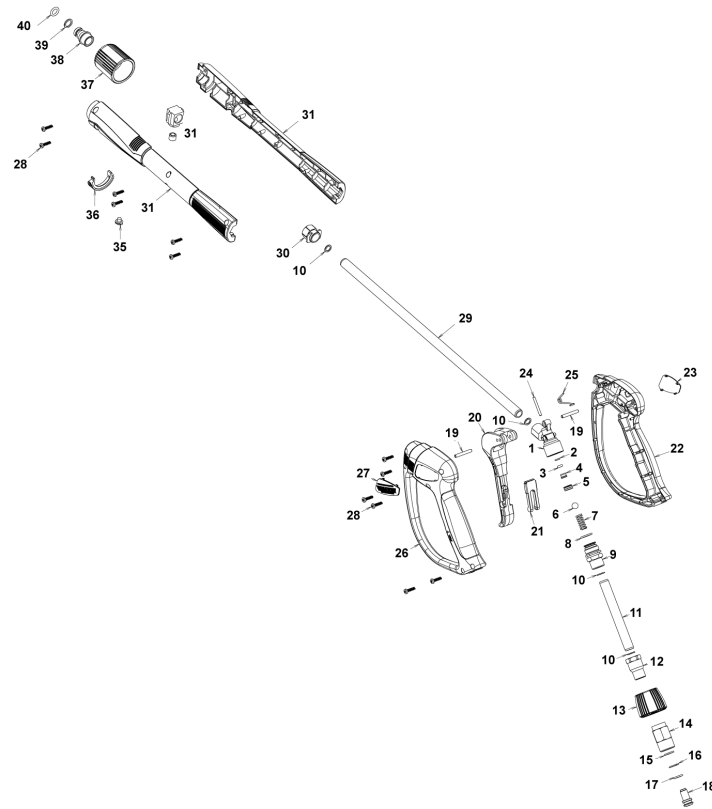
Ref. Part n.	Part n. 2	Description	Reference	Price
KTRI40242		KIT P 26- 25 G 5100	0002 0003 0005 0006	--
KTRI40243		KIT P 26- 26 SWIVEL G 5100	0015 0016 0017	--



Ref. K	Part n.	Part n. 2	Description	Quantity	Validity		Price
					From	To	
0001	PVVR40381		GUN BODY G 5100 G1/4F	1,00			--
0002	S	GUVR40074	ANTI-EXTR.RING D. 3 X 7.4X1.3	1,00			--
0003	S	GUGO21835	O-RING D. 2.84 X 2.62 VIT. 80SH	1,00			--
0004		PVVR40382	PISTON GUIDE G 5100	1,00			--
0005	S	PVVR40112	BALL SEAT G 5000	1,00			--
0006	S	SFVR40002	BALL D.11/32" ALL GR16	1,00			--
0007		MLML40016	SPRING D. 9.4 x21.5x1.6 G5000	1,00			--
0008		GUGO12322	O-RING D. 14 X 1.78 NBR 90SH	1,00			--
0009		PVVR40383	CONNECTOR COLL.G5100 1/4F	1,00			--
0010		VTRS40017	WASHER D. 8.2X11,4X1.00	4,00			--
0011		PVVR40384	TUBE G 1/4" L.105	1,00			--
0012		RCIN40022	CONNECTOR SWIV G5100 1/4F	1,00			--
0013		MPVR40819	RING NUT G 5100 SW. BK.	1,00			--
0014		RCIN40021	JOINT SWIV 5100 M22	1,00			--
0015	S	GUVR40075	ANTI-EXTR.RING D. 10 X14X1.5	1,00			--
0016	S	GUVR40076	ANTI-EXTR.RING D. 11.2X14X1.2	1,00			--
0017	S	GUGO15295	O-RING D. 10.82 X 1.78 VIT 75SH	1,00			--
0018		PVVR40386	SCREW SW. G 5100	1,00			--
0019		VTVR40047	PLUG D. 4X29	2,00			--
0020		MPVR40820	TRIGGER G 6000-SW	1,00			--
0021		MPVR40821	SAFETY-DEVICE G 6000-SW	1,00			--
0022		MPVR40822	SHELL G 6000-SW DX	1,00			--
0023		MPVR40823	PLATE G 6000 GR.DX	1,00			--
0024		PVVR40387	SMALL PISTON G 5100	1,00			--
0025		MLML40029	SPRING G 5100	1,00			--
0026		MPVR40824	SHELL G 6000-SW SX	1,00			--
0027		MPVR40825	PLATE G 6000 GR.SX	1,00			--
0028		VTVT40043	SCREW AF 4X 14 HILO ZN.N	12,00			--
0029		LCPR40086	TUBE 1/4 L=420 ZC. 0°	1,00			--
0030		MPVR40493	CONNECTOR G 5100-SW	1,00			--
0031		MPVR40494	PROTECTION P 420 C/AN.	1,00			--
0035		MPVR40198	CAP G 5000	1,00			--
0036		MPVR40495	CAP G 5100 REM.	1,00			--
0037		PVVR40119	CONNECTION M22X1,5 IRV G5000	1,00			--
0038		RCIN40009	GUDGEON G 1/4 F IRV G5000	1,00			--
0039		GUVR40034	ANTI-EXTR.RING D. 10 X14	1,00			--
0040		GUGO01946	O-RING D. 9.13 X 2.62 VIT 70SH	1,00			--



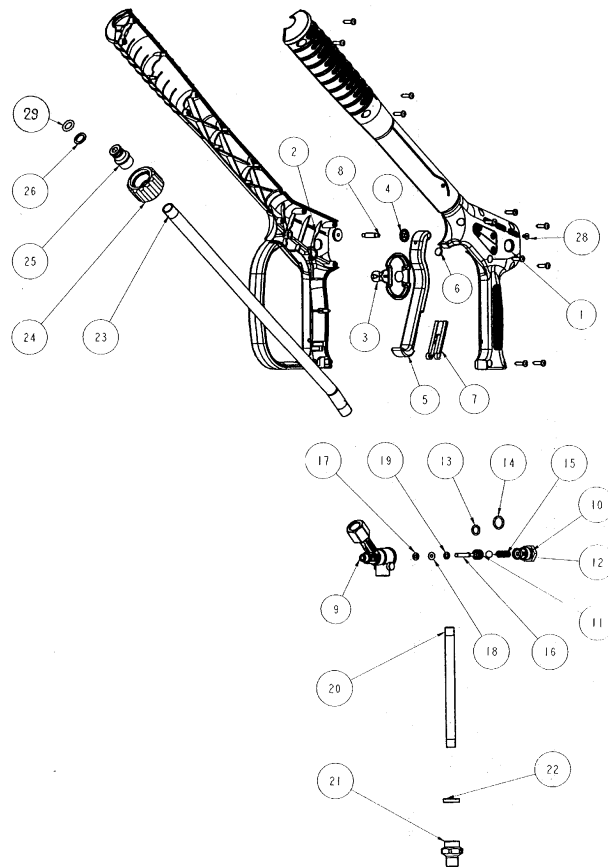
Ref. Part n.	Part n. 2	Description	Reference	Price
KTRI40243		KIT P 26- 26 SWIVEL G 5100	0015 0016 0017	--
KTRI40414		KIT P 26- 34 G 6000	0002 0003 0005 0006	--



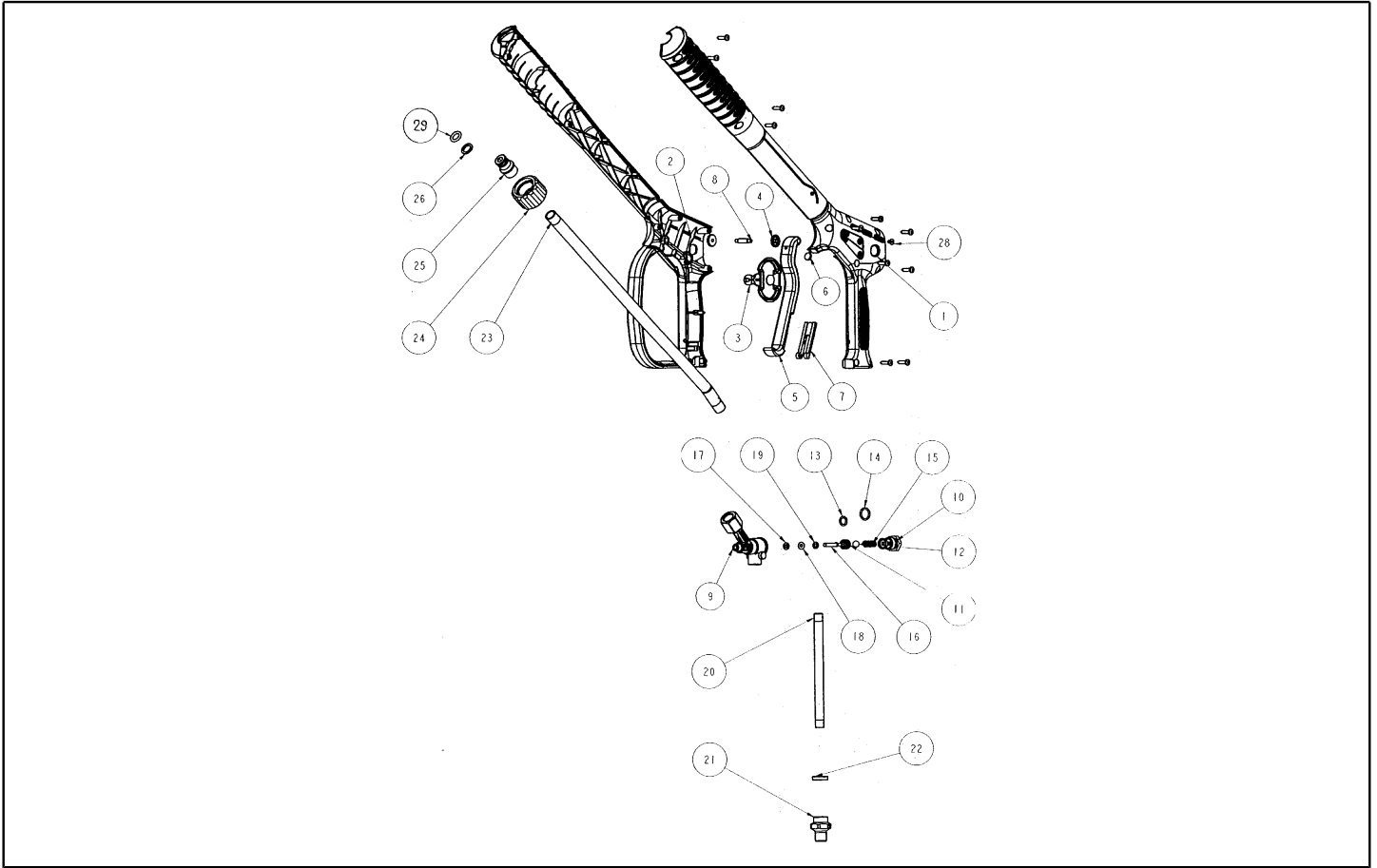
Ref. K	Part n.	Part n. 2	Description	Quantity	Validity		Price
					From	To	
0001	PVVR40381		GUN BODY G 5100 G1/4F	1,00			--
0002	S	GUVR40074	ANTI-EXTR.RING D. 3 X 7.4X1.3	1,00			--
0003	S	GUGO21835	O-RING D. 2.84 X 2.62 VIT. 80SH	1,00			--
0004		PVVR40382	PISTON GUIDE G 5100	1,00			--
0005	S	PVVR40563	BALL SEAT AL36 G6000 + OR	1,00			--
0006	S	SFVR40004	BALL D. 5/16" ALL.GR16	1,00			--
0007		MLML40047	SPRING D. 9.4 x23.5x1.6 G6000	1,00			--
0008		GUGO12322	O-RING D. 14 X 1.78 NBR 90SH	1,00			--
0009		PVVR40383	CONNECTOR COLL.G5100 1/4F	1,00			--
0010		VTRS40017	WASHER D. 8.2X11,4X1.00	4,00			--
0011		PVVR40384	TUBE G 1/4" L.105	1,00			--
0012		RCIN40022	CONNECTOR SWIV G5100 1/4F	1,00			--
0013		MPVR40967	RING NUT G 6000 SW. GR.	1,00			--
0014		RCIN40021	JOINT SWIV 5100 M22	1,00			--
0015	S	GUVR40075	ANTI-EXTR.RING D. 10 X14X1.5	1,00			--
0016	S	GUVR40076	ANTI-EXTR.RING D. 11.2X14X1.2	1,00			--
0017	S	GUGO15295	O-RING D. 10.82 X 1.78 VIT 75SH	1,00			--
0018		PVVR40386	SCREW SW. G 5100	1,00			--
0019		VTVR40047	PLUG D. 4X29	2,00			--
0020		MPVR40820	TRIGGER G 6000-SW	1,00			--
0021		MPVR40821	SAFETY-DEVICE G 6000-SW	1,00			--
0022		MPVR40822	SHELL G 6000-SW DX	1,00			--
0023		MPVR40968	PLATE G 6000/2 GR.DX	1,00			--
0024		PVVR40564	SMALL PISTON G 6000 AL36 SP.	1,00			--
0025		MLML40029	SPRING G 5100	1,00			--
0026		MPVR40824	SHELL G 6000-SW SX	1,00			--
0027		MPVR40825	PLATE G 6000 GR.SX	1,00			--
0028		VTVT40043	SCREW AF 4X 14 HILO ZN.N	12,00			--
0029		LCPR40181	TUBE 1/4 L=416 ZC. 0°	1,00			--
0030		MPVR40493	CONNECTOR G 5100-SW	1,00			--
0031		MPVR40494	PROTECTION P 420 C/AN.	1,00			--
0035		MPVR40198	CAP G 5000	1,00			--
0036		MPVR40495	CAP G 5100 REM.	1,00			--
0037		PVVR40119	CONNECTION M22X1,5 IRV G5000	1,00			--
0038		RCIN40048	GUDGEON G 1/4 F IRV G6000/2	1,00			--
0039		GUVR40034	ANTI-EXTR.RING D. 10 X14	1,00			--
0040		GUGO63555	O-RING D. 9.3 X 2,4 VIT 75SH	1,00			--



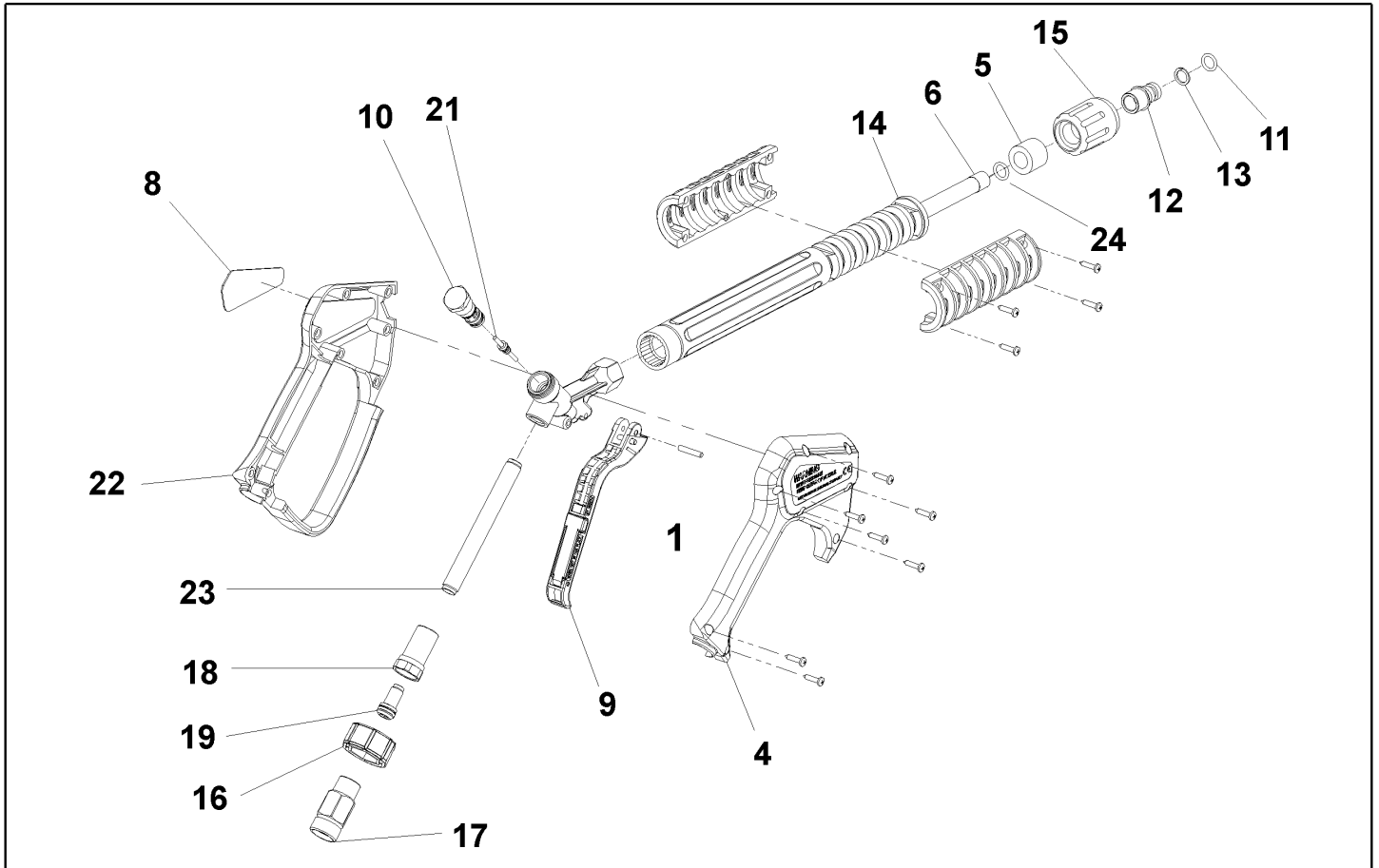
Ref. Part n.	Part n. 2	Description	Reference	Price
KTRI40243		KIT P 26- 26 SWIVEL G 5100	0015 0016 0017	--
KTRI40513		KIT P 26- 36 G 6000/II	0002 0003 0005 0006	--



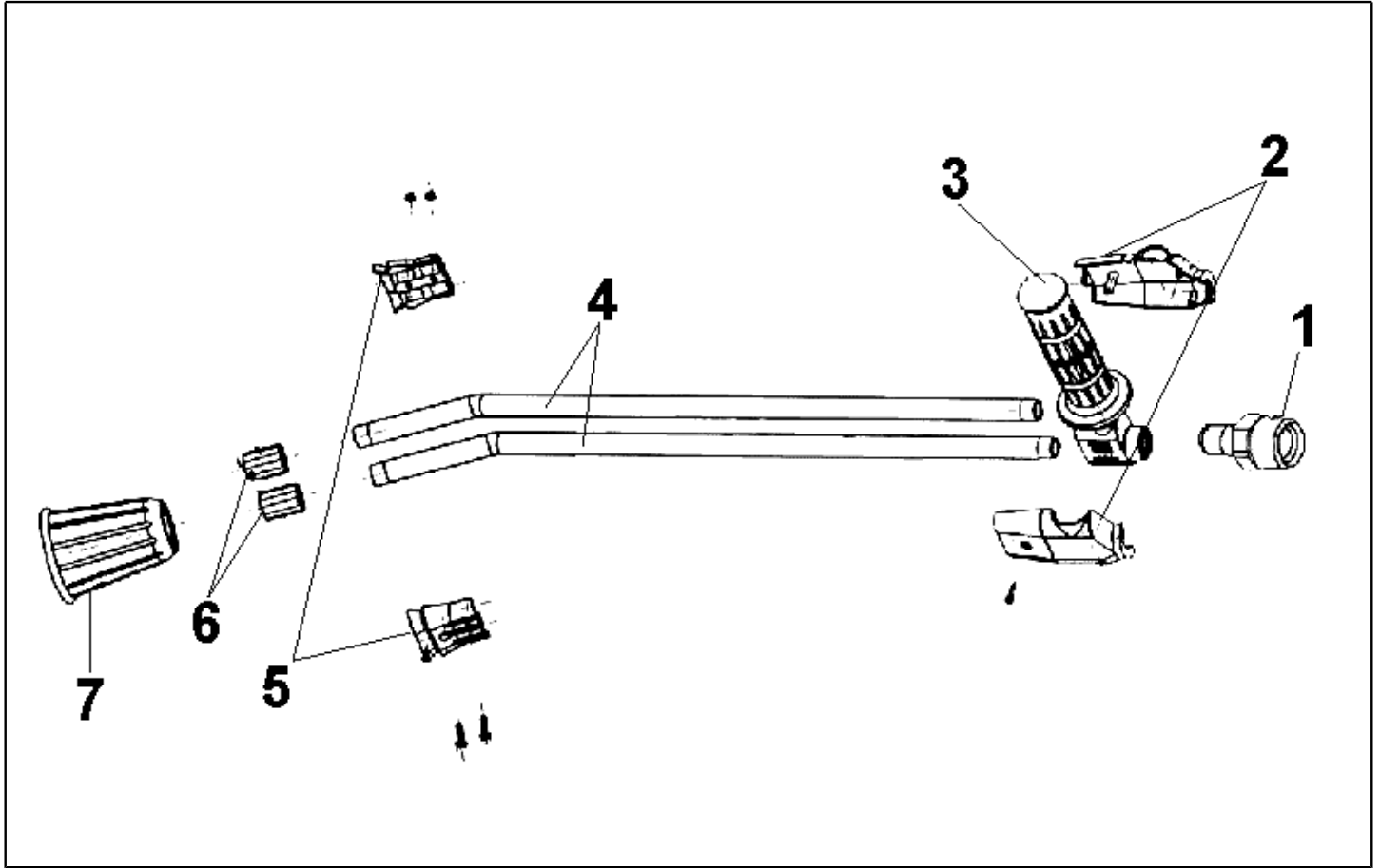
Ref. K	Part n.	Part n. 2	Description	Quantity	Validity		Price
					From	To	
0001	MPVR43269		HALF BEARING G2200 SX PRT	1,00			--
0002	MPVR43268		HALF BEARING G2200 DX PRT	1,00			--
0003	MPVR43270		CAP G2200	1,00			--
0004	VTRS41562		WASHER AURA 200	2,00			--
0005	MPVR41568		TRIGGER AURA 200	1,00			--
0006	PVVR41567		PAWL AURA 200 INX	1,00			--
0007	MPVR41569		SAFETY-DEVICE AURA 200	1,00			--
0008	VTVR41566		PLUG AURA 200	1,00			--
0009	PVVR41559		GUN BODY AURA G1/4 L.18	1,00			--
0010	E PVVR43275		CAP M14X1 AURA 200 2.V	1,00			--
0011	E PVVR43274		BALL SEAT AURA 200 2.V	1,00			--
0012	E SFVR12904		BALL D. 9/32 W1 INX	1,00			--
0013	E GUGO63426		O-RING D. 7.66 X 1.78 NBR 90SH	1,00			--
0014	E GUGO19194		O-RING D. 11.11 X 1.78 NBR 70SH	1,00			--
0015	E MLML41571		SPRING D. 7 X21 D.1.2	1,00			--
0016	S PVVR43264		SMALL PISTON AURA 200 INX L=30 2V.	1,00			--
0017	S GUVR41557		ANTI-EXTR.RING D. 4 X 7.8X1.2	1,00			--
0018	S GUGO01201		O-RING D. 3.6 X 2.4 -NBR 70SH	1,00			--
0019	S VTRS43265		WASHER OT AURA	1,00			--
0020	PVVR43272		PIPE G 1/8" M/M L.133	1,00			--
0021	RCIN41561		MALE COUPLING M 22 -1/8F	1,00			--
0022	MPVR43271		WASHER 1/8" G2200	1,00			--
0023	LCPR43273		TUBE 1/4 L=384 0° 1/4 M-M INX	1,00			--
0024	PVVR43276		CONNECTION M22X1.5 IRV	1,00			--
0025	RCIN43267		GUDGEON G 1/4 F IRV	1,00			--
0026	GUVR43266		ANTI-EXTR.RING SR 110	1,00			--
0028	PVVR42233		CAP D. 3 PLS YLW.	1,00			--
0029	GUGO28927		O-RING D. 9.13 X 2.62 NBR 70SH	1,00			--



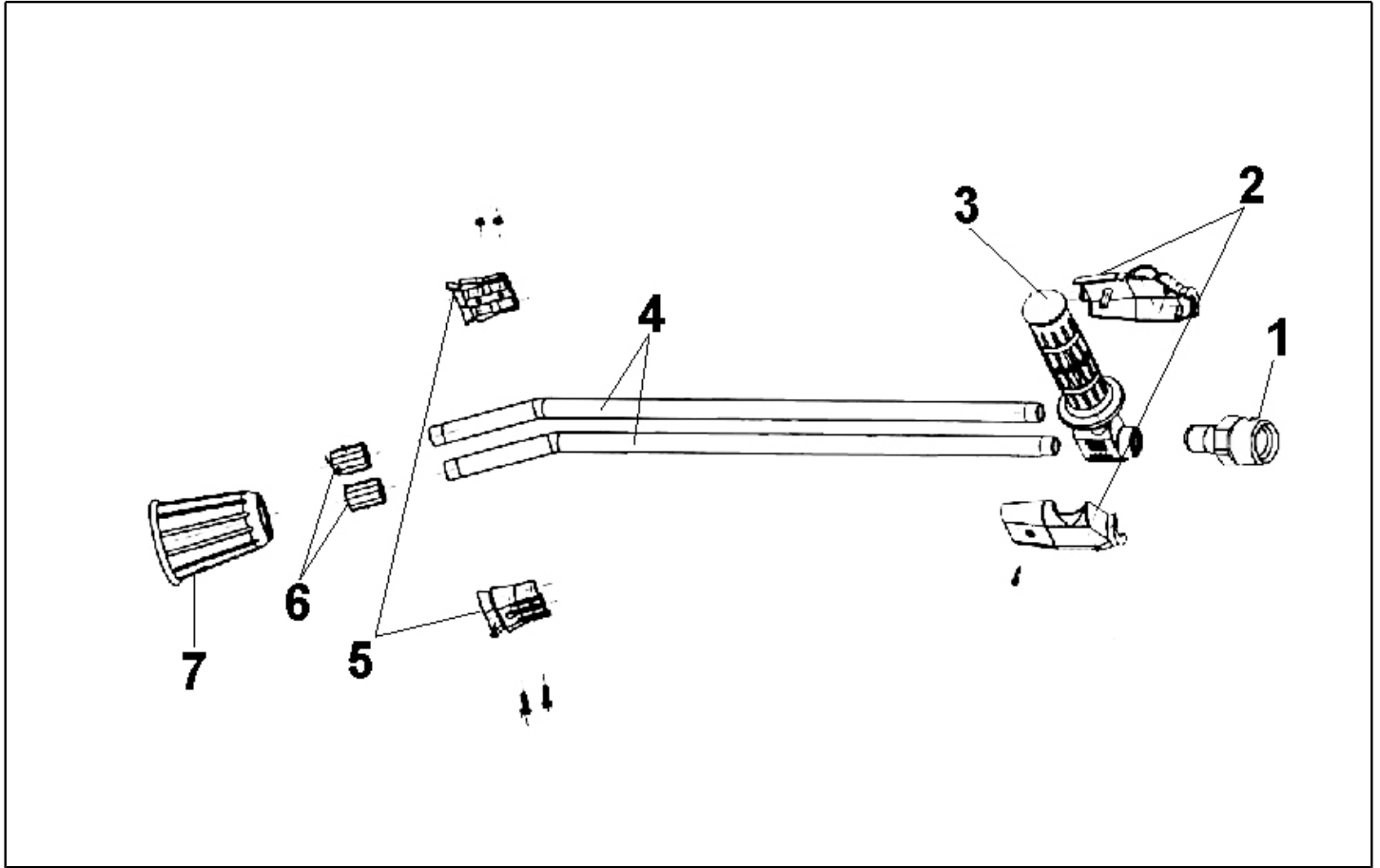
Ref. Part n.	Part n. 2	Description	Reference	Price
KTRI40835		KIT P 26- 15 AURA 200	0011 0012 0013 0014 0015 0016 0017 0018 0019	--
KTRI47792		KIT P 26- 20 AURA 200	0010 0011 0012 0013 0014 0015	--



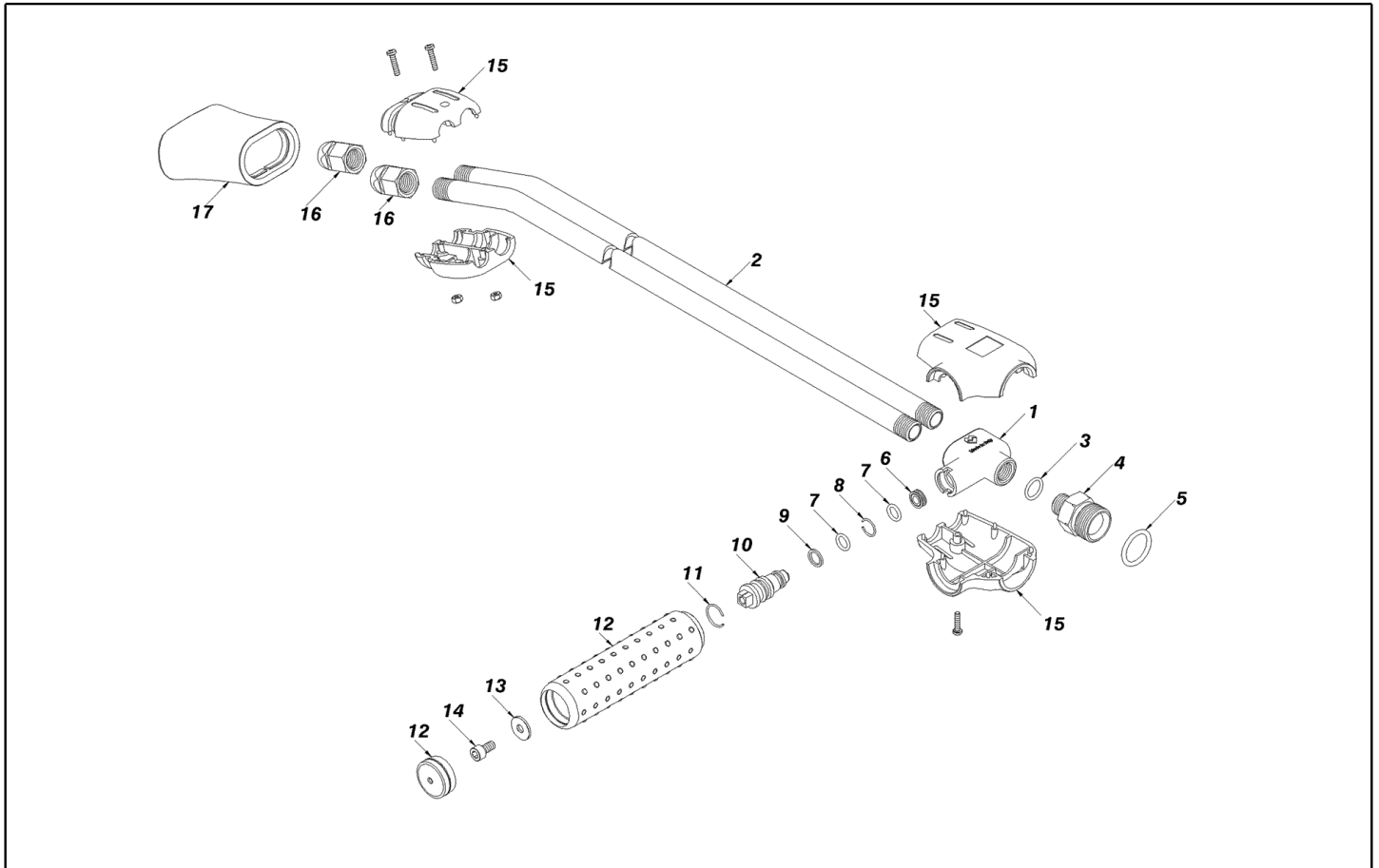
Ref. K	Part n.	Part n. 2	Description	Quantity	Validity		Price
					From	To	
0001	VTVR46568		PLUG G 4500	1,00			--
0004	MPVR46563		COVER G 4500	1,00		30/04/2008	--
0004	MPVR40157		COVER G 4500 2V.	1,00	01/05/2008		--
0005	MPVR46572		SPACER P 330 ST	1,00			--
0006	LCPR46571		TUBE 1/4 L=352 ZC.	1,00		30/04/2008	--
0006	LCPR40007		TUBE 1/4 L=352 ZC. 2V.	1,00	01/05/2008		--
0008	MPVR46569		PLATE G 4500 RD.	1,00			--
0009	MPVR40057		TRIGGER G 4500 -SW	1,00			--
0010	PVVR40030		SMALL PISTON TM ST-2300	1,00			--
0011	GUGO10384		O-RING D. 10 X 2.2 VIT 80SH	1,00			--
0012	RCVR13030		GUDGEON G 1/4 F L=31.5	1,00			--
0013	GUVR10526		ANTI-EXTR.RING D.13.9X10.2 C.BZ	1,00			--
0014	MPVR46570		PROTECTION P 330 ST	1,00			--
0015	PVVR13445		CONNECTION M 22X1,5 L=45	1,00			--
0016	MPVR40058		RING NUT G4500 SW.	1,00			--
0017	RCIN40001		JOINT SWIV 4500 3/8"F	1,00		30/04/2008	--
0017	RCIN40005		JOINT SWIV 4500 3/8"F 2V.	1,00	01/05/2008		--
0018	RCIN31641		CONNECTOR SWIV 1500 F	1,00			--
0019	KTRI31645		KIT P 26- 14	1,00			--
0021	PVVR40031		ROD ST-2300	1,00			--
0022	MPVR46562		SHELL G 4500	1,00		30/04/2008	--
0022	MPVR40156		SHELL G 4500 2V.	1,00	01/05/2008		--
0023	PVVR40023		TUBE G 1/4" M/M P/SW.	1,00			--
0024	GUGO27021		O-RING D. 11 X 2.5 EPD 70SH	1,00	01/05/2008		--



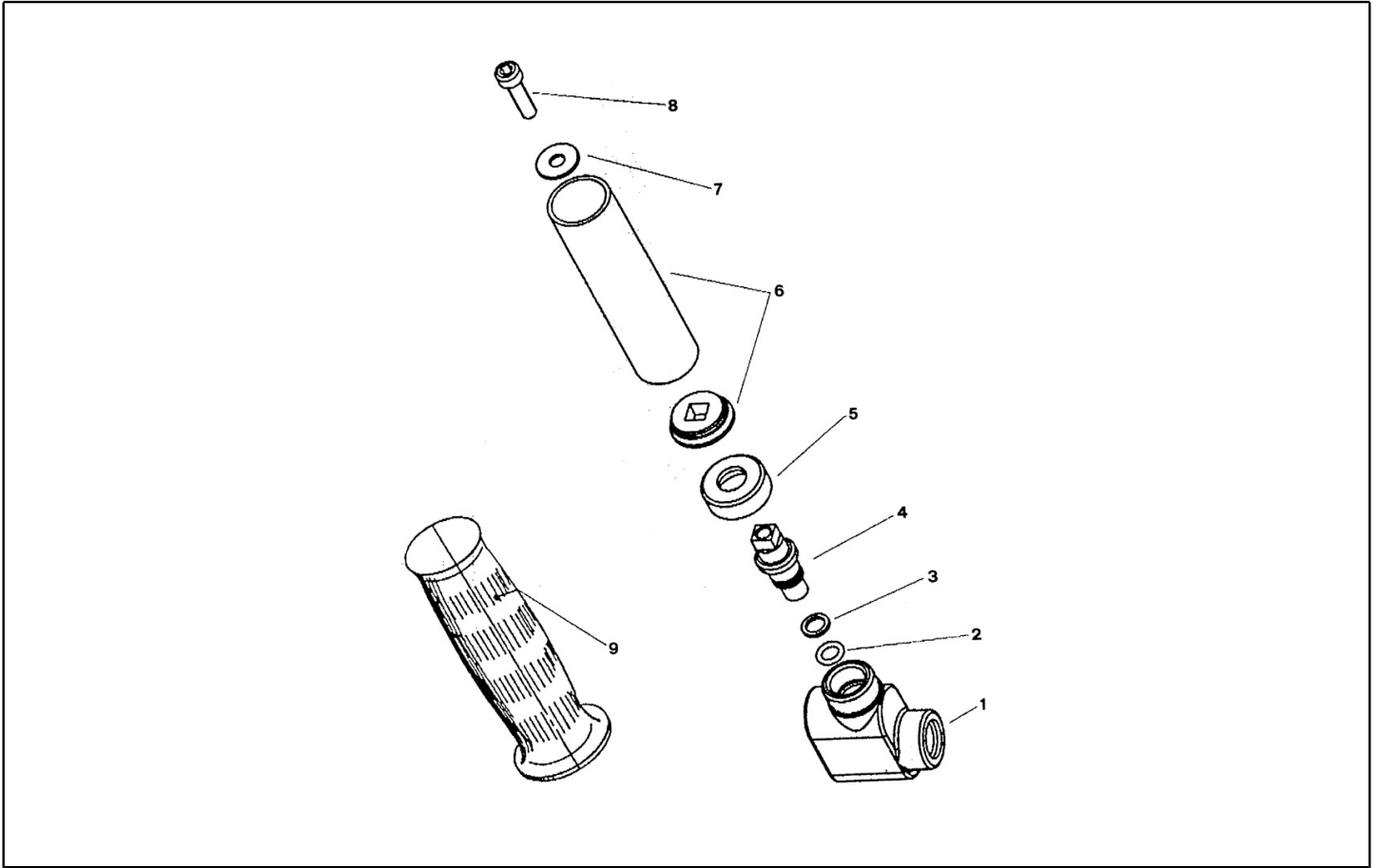
Ref. K	Part n.	Part n. 2	Description	Quantity	Validity		Price
					From	To	
0001	PVVR45296		COUPLING G 1/4M -M22 M +PR.PLS	1,00			--
0002	MPVR45214		PROTECTION TB.1/4 MTM	1,00			--
0003	RCGR45737		TAP 1/8 F LD MTM	1,00			--
0004	LCPR45738		TUBE 1/8 L=500 INOX MTM	2,00			--
0005	MPVR45001		SHELL LD MTM	1,00			--
0006	RCVR45741		NOZZLE HOLDER 1/4-1/8 F MTM	2,00			--
0007	PVVR43810		PROTECTION L.D. MTM	1,00			--



Ref. K	Part n.	Part n. 2	Description	Quantity	Validity		Price
					From	To	
0001	PVVR45296		COUPLING G 1/4M -M22 M +PR.PLS	1,00			--
0002	MPVR45214		PROTECTION TB.1/4 MTM	1,00			--
0003	RCGR45737		TAP 1/8 F LD MTM	1,00			--
0004	LCPR45740		TUBE 1/8 L=660 INOX MTM	2,00			--
0005	MPVR45001		SHELL LD MTM	1,00			--
0006	RCVR45741		NOZZLE HOLDER 1/4-1/8 F MTM	2,00			--
0007	PVVR43810		PROTECTION L.D. MTM	1,00			--



Ref. K	Part n.	Part n. 2	Description	Quantity	Validity		Price
					From	To	
0001	RCGR40000		TAP BODY L.DOP. 1/4" MV INX	1,00			--
0002	LCPR40000		TUBE 1/4 L=700 CROM.	2,00		30/11/2009	--
0002	LCPR40107		TUBE 1/4 L=700 INX.	2,00	01/12/2009		--
0003	GUGO19194		O-RING D. 11.11 X 1.78 NBR 70SH	1,00		30/09/2010	--
0003	VTRS04931		WASHER COPPER D.13X19X1.5	1,00	01/10/2010		--
0004	RCIN46781		MALE COUPLING MV 1/4 -M 22 M	1,00			--
0005	GUGO01056		O-RING D. 18.72 X 2.62 NBR 70SH	1,00			--
0006	PVVR40019		BUSHING MV LD	1,00			--
0007	GUGO06988		O-RING D. 7.66 X 1.78 NBR 70SH	2,00			--
0008	PVVR40020		CIRCLIP LD MV D. 8	1,00			--
0009	GUGO40002		ANTI-EXTR.RING D. 8 NBR	1,00			--
0010	PVVR40021		REGULAT. SCREW LD MV INX	1,00			--
0011	PVVR46783		CIRCLIP LD MV	1,00			--
0012	PVVR46784		KNOB LD MV +CAP	1,00			--
0013	VTRS15958		WASHER UNI 6592 5X15X1,5 ZB	1,00			--
0014	VTVT17639		SCREW TCEI M 5X10 UNI 5931	1,00			--
0015	MPVR46786		PROTECTION LD/TB MV	1,00			--
0016	RCVR46787		NOZZLE HOLDER 1/4-1/4 F MV	12,00			--
0017	PVVR46788		PROTECTION LD MV	1,00			--



Ref. K	Part n.	Part n. 2	Description	Quantity	Validity		Price
					From	To	
0001	RCGR41556		TAP BODY L.DOP. 1/8" MTM	1,00		08/03/2010	--
0001	PVVR40132		VALVE BODY L.DP 1/4F-1/8FF CP.	1,00	09/03/2010		--
0002	GUGO10330		O-RING D. 6.07 X 1.78 VIT 70SH	1,00		08/03/2010	--
0003	GUVR41551		ANTI-EXTR.RING SR 010	1,00		08/03/2010	--
0004	PVVR41553		SMALL PISTON L.DP. MTM	1,00		08/03/2010	--
0005	PVVR41555		RING NUT L.DOP. MTM	1,00		08/03/2010	--
0006	LAFN41552		PIPE D. 22 MTM	1,00			--
0007	VTRS15958		WASHER UNI 6592 5X15X1,5 ZB	1,00			--
0008	VTVT17639		SCREW TCEI M 5X10 UNI 5931	1,00			--
0009	MPVR41554		KNOB D. 22 MTM	1,00			--