

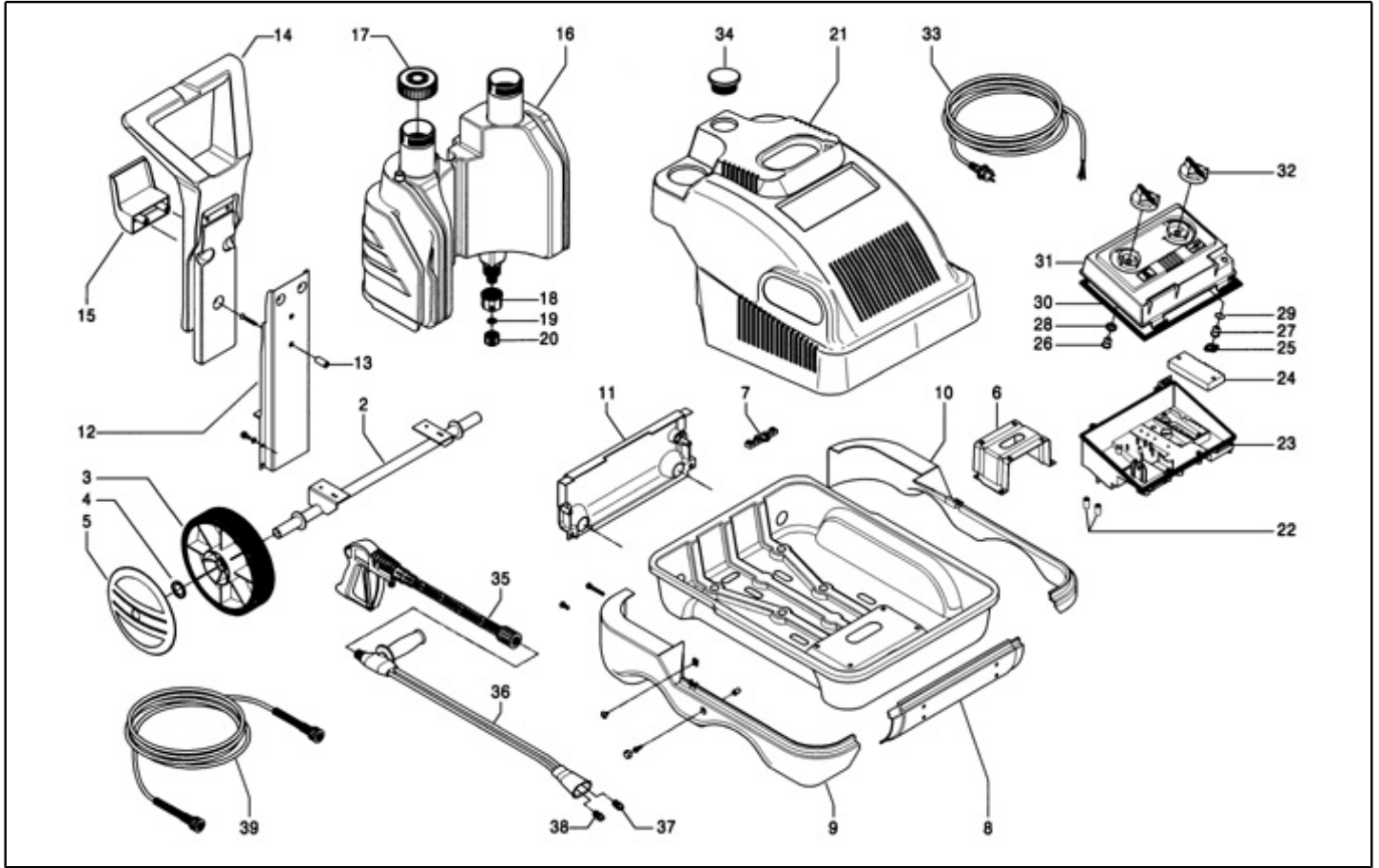


IPC

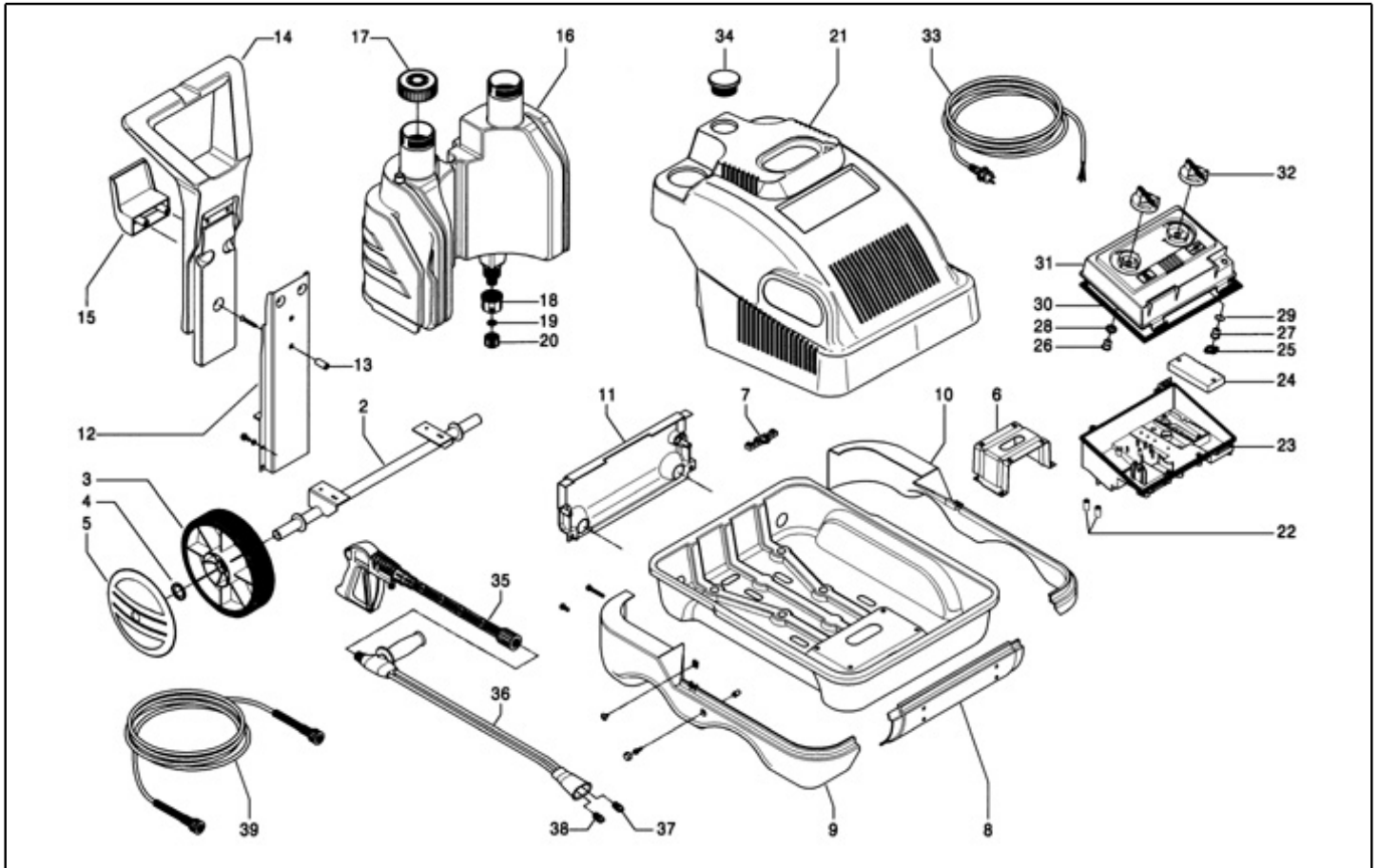
Spare parts list

Ref: IDAC44018

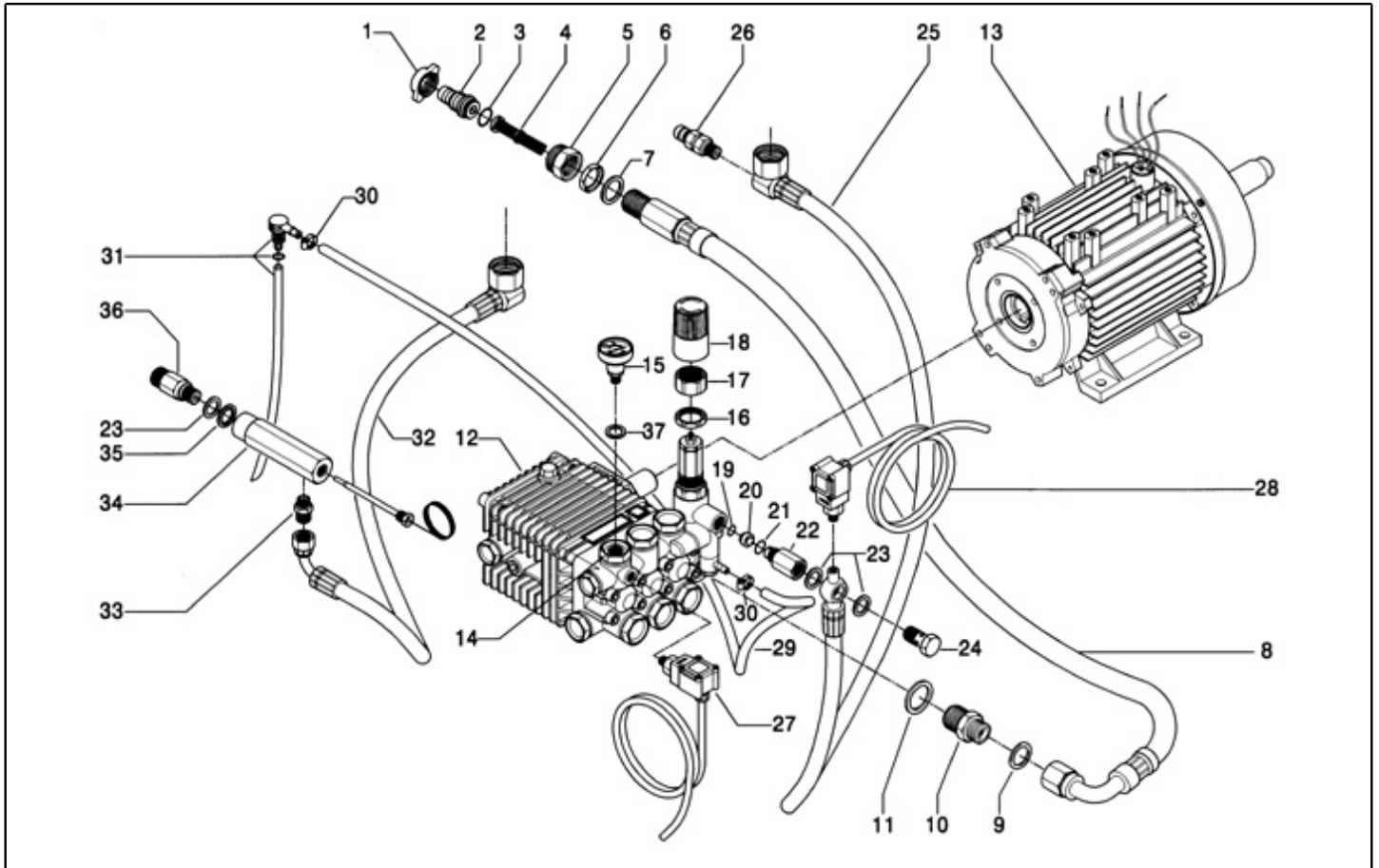
Model: H.P. CLEANER UNIV. DS2640T4-415/50 PRT



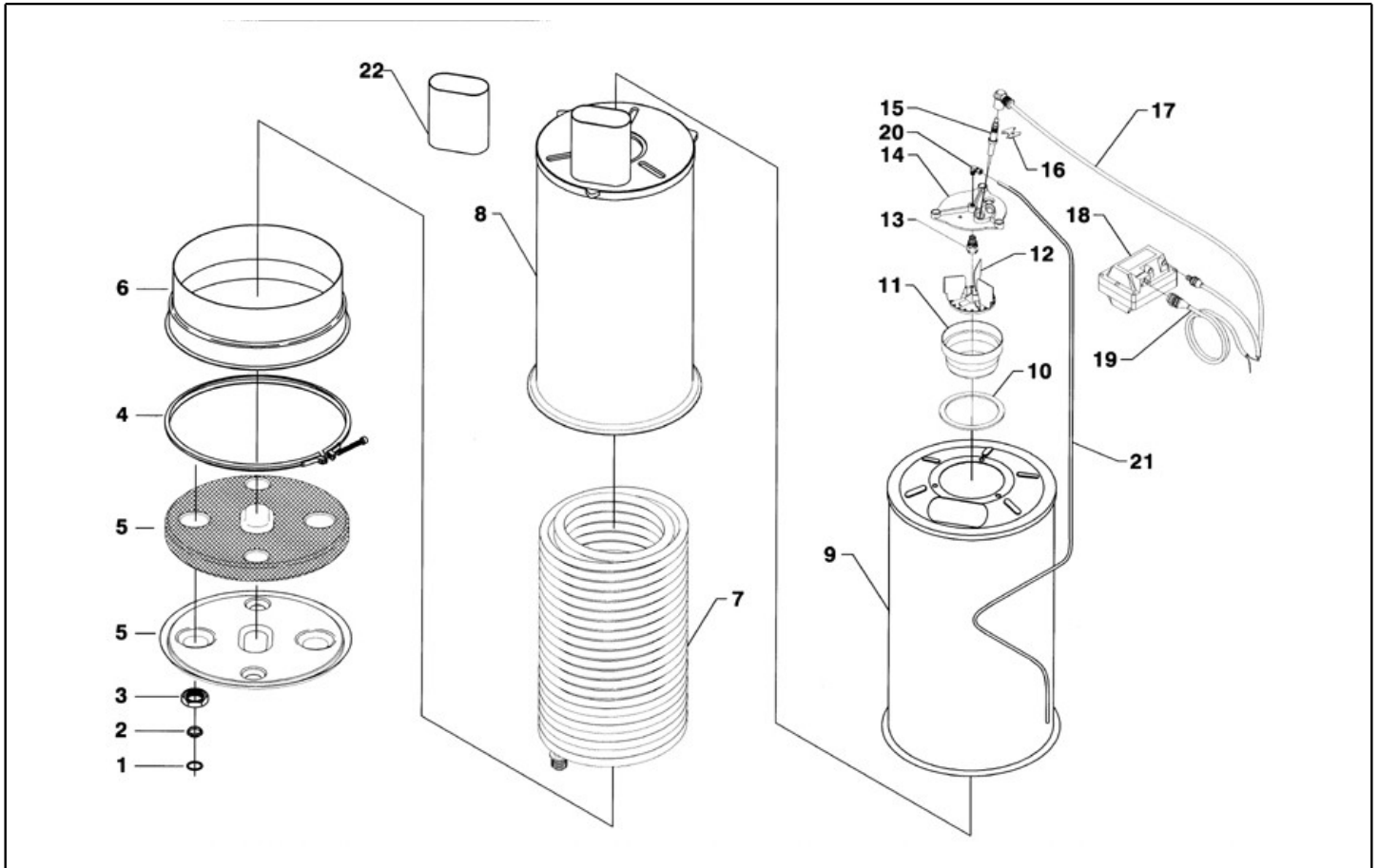
Ref. K	Part n.	Part n. 2	Description	Quantity	Validity		Price
					From	To	
0001	LAFN19944		CHASSIS KSM	1,00			--
0002	LAFN39505		TROLLEY AXLE SLV J.	2,00			--
0003	RTRT24320		WHEEL D.250-D.25 RT-PRT	4,00			--
0004	VTRS09813		WASHER D.25	4,00			--
0005	MPVR25910		RED HUB CAP D. 250 RT/PRT	4,00			--
0006	LAFN29468		MOTOR PLATE SLR	1,00			--
0007	MEVR20906		CABLE CLAMP KSM	1,00			--
0008	MPVR29636		BAND SLR ANT	1,00			--
0009	MPVR29634		BAND SLR DX	1,00			--
0010	MPVR29633		BAND SLR SX	1,00			--
0011	MPVR29635		BAND SLR PST	1,00			--
0012	LAFN19954		SUPPORT KSM	1,00			--
0013	LAFN22115		SPACER 14X27 D.8 KSM	1,00			--
0014	MPVR27897		HANDLE AGN "ELK"	1,00			--
0015	LAFN20105		HOSE SUPPORT KSM	1,00			--
0016	MPVR20135		TANK KOSMIC J.	1,00			--
0017	MPVR20418		TANK CAP KSM	2,00			--
0018	MPVR20187		RING NUT M 39 X 3	2,00			--
0019	GUGO11489		GASKET D.22X1,5	2,00			--
0020	PVVR11806		DISCHARGE CAP FLL	2,00			--
0021	MPVR46174		RED COVER SLR PP C/F.LT	1,00			--
0023	LAFN20138		CONTROL BOX KSM ABS BK.	1,00	01/05/2010		--
0024	MPVR20143		CABLE CLAMP COV KSM	1,00	01/05/2010		--
0025	MPVR41903		THICKNESS TERM.IM.PA66	1,00	01/05/2010		--
0026	MPVR10083		TAIL PIECE OKA L=22	1,00	01/05/2010		--
0027	MPVR23484		TAIL PIECE THERM.KSM TUV	1,00	01/05/2010		--
0028	GUGO23079		V-SEAL RING VAO014 13.5- 15.5	1,00	01/05/2010		--
0029	GUGO01035		O-RING D. 13.95 X 2.62 NBR 70SH	1,00	01/05/2010		--
0030	GUGO27129		JOINT 10X3	1,05	01/05/2010		--
0031	LAFN20139		BOX COVER KSM M.	1,00	01/05/2010		--
0032	MPVR20190		GREY KNOB KSM	2,00		15/11/2007	--
0032	MPVR46511		GREY KNOB KSM C/F.FIS.	2,00	16/11/2007		--
0033	MECB10518		CABLE H07 RNF 4X1.5 L=6.500	1,00	01/05/2010		--
0034	MPVR43241		CAP SLR PVC	1,00			--
0035	IPPR43065		GRIP G 2200 +PR.330 +M22 M	1,00		14/03/2007	--
0035	IPPR40000		GRIP MV 2005+P.181 +M22 M	1,00	15/03/2007	30/11/2015	--
0035	IPPR40020		GRIP G 6000+P.330 +M22 SW.M V	1,00	01/12/2015	14/06/2018	--
0035	IPPR40025		GRIP G 6000+P.330 +M22 SW.M 2V	1,00	15/06/2018		--
0036	LCPR12982		DOUBLE EXTENS. PD 50	1,00	07/06/2006	14/03/2007	--
0036	LCPR12983		DOUBLE EXTENS. PD 70	1,00	15/03/2007	09/11/2016	--
0036	LCPR89117		DOUBLE EXTENS. PD 70 M22 M -1/4F INX MV	1,00	10/11/2016		--
0037	UGLN05174		NOZZLE 1/4 5040 OT	1,00	15/03/2007		--
0038	UGLN02287		NOZZLE 1/4 2504	1,00			--
0038	UGLN02287		NOZZLE 1/4 2504	1,00		06/06/2006	--



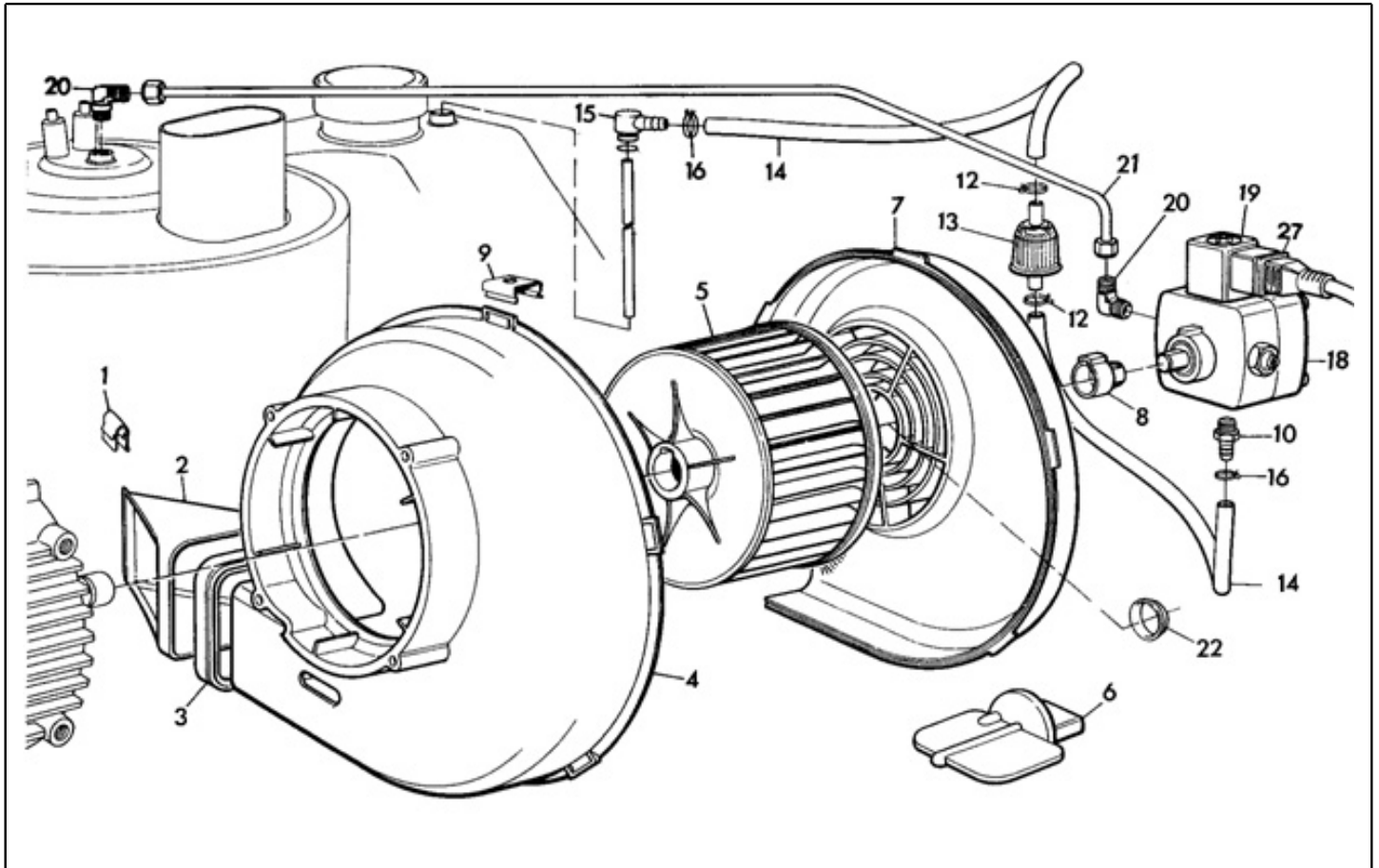
Ref. K	Part n.	Part n. 2	Description	Quantity	Validity		Price
					From	To	
0038	UGLN49991		NOZZLE LECH 1/4 2504	1,00	15/03/2007		--
0039	TBAP25324		H.P. HOSE R1 MT 10 5/16" C/2 IRV ZC	1,00			--
0040	MEVR27264		FUSE-HOLDER 031-1081	1,00	01/05/2010		--
9999	KTRI16996		KIT P 33- 1	1,00	07/01/2003		--



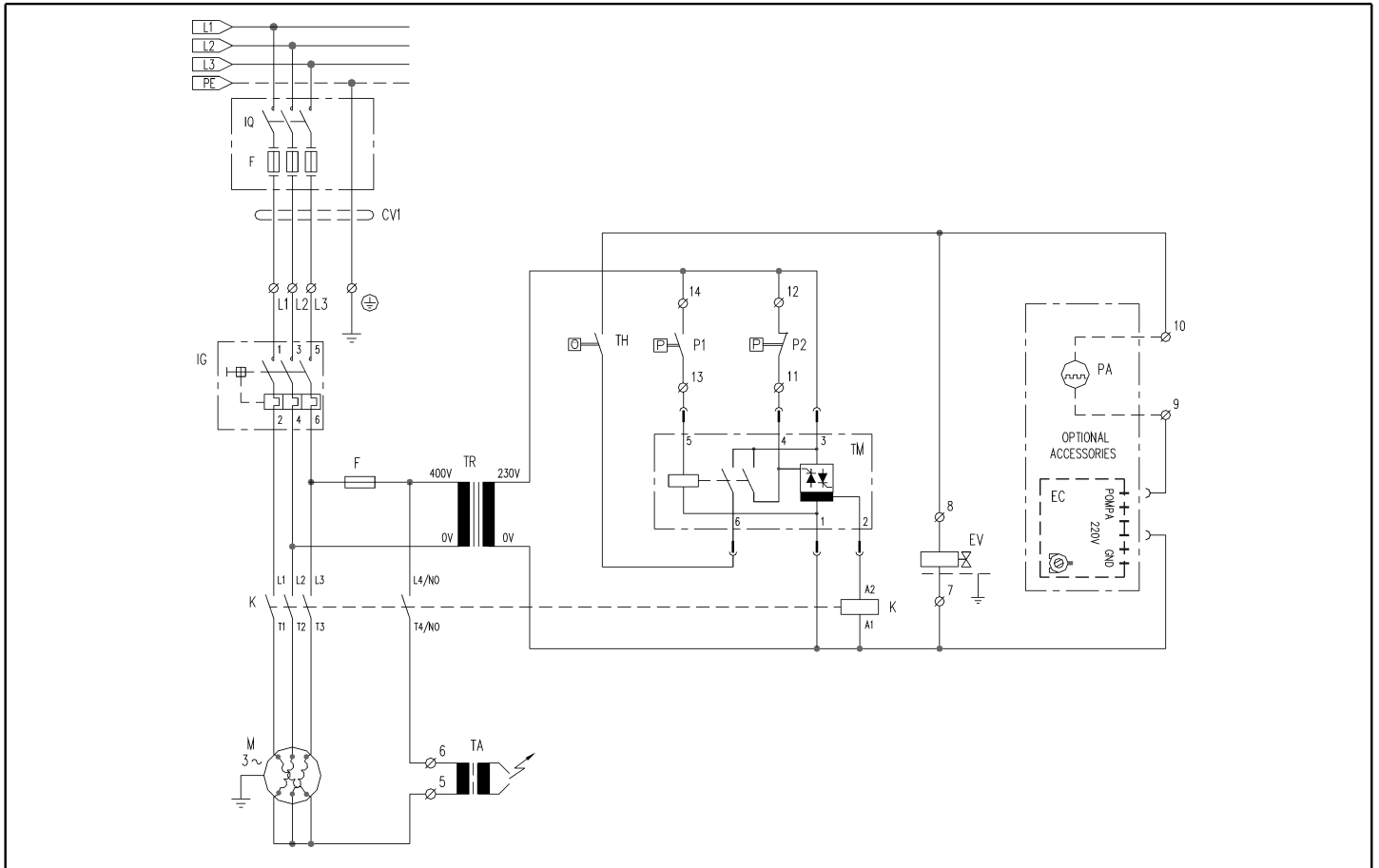
Ref. K	Part n.	Part n. 2	Description	Quantity	Validity		Price
					From	To	
0001	RCDS09316		CONNECTION G. 3/4	1,00			--
0002	RCDS08965		HOSE FITTING OTT.	1,00			--
0003	GUGO01054		O-RING D. 15.08 X 2.62 NBR 70SH	1,00			--
0004	FTAC30214		FILTER D.15X67	1,00			--
0005	RCDS28900		SLEEVE 3/4-1/2 M/F MTH	1,00			--
0006	RCDS21223		RING NUT 1/2" X 5 NIK	1,00		30/11/2003	--
0006	RCDS49875		RING NUT 1/2"x 6 CH.27 OT.	1,00	01/12/2003		--
0007	VTRS00549		WASHER D.21,5X27X1,5 (1/2) RM	1,00			--
0008	TBBP30410		L.P. HOSE L=940 1/2 0° -90°F 2.VRS	1,00			--
0009	GUGO36764		GASKET D. 11- 18.5X 2 80SH	1,00			--
0010	RCDS19871		NIPPLE 1/2 - 1/2 D.10	1,00			--
0011	GUGO01032		O-RING D. 17.13 X 2.62 NBR 70SH	1,00			--
0012	PPAP42434		PUMP WW1513 DX N T.INT.I.2.0	1,00			--
0013	MOTR43205		3PH MOTOR SLR/2 HP5.5 400-50 2P IPS	1,00		25/05/2005	--
0013	MOTR88936		3PH MOTOR SLR/2 HP5.5 400-50 2P IPE	1,00	26/05/2005		--
0014	RCDS43252		CAP M24X1,5 + 1/8F WW1509 OT	1,00			--
0015	MNMN37537		PRESSURE GAUGE 0-300 G1/8M "R" D.40	1,00			--
0016	RCDS21788		RING NUT M 28 X 1.5 L=16	1,00			--
0017	VTDD21787		NUT M28X1,5 L=5	1,00			--
0018	PVVR22163		KNOB L=60 V.INT.	1,00			--
0019	GUGO03501		O-RING D. 9.92 X 2.62 VIT 70SH	1,00			--
0020	UGEI09840		NOZZLE D. 2.0 OT58	1,00			--
0021	GUGO03507		O-RING D. 13.95 X 2.62 VIT 70SH	1,00			--
0022	RCDS19348		CONNECTOR 3/8M-F D.3 L=45	1,00			--
0023	VTRS00548		WASHER D.17,5X23X1,5 (3/8)RM	1,00			--
0023	VTRS12492		WASHER 3/8	2,00	10/10/2000	30/11/2015	--
0023	VTRS40026		WASHER 3/8 ZC + NBR 85SH	2,00	01/12/2015		--
0024	RCDS01371		SCREW G 3/8 A.P.	1,00			--
0025	TBAP43242		HOSE-FITTING 3/ 8 R2 L=560 3/8OC.-PM26	1,00			--
0026	VVSC39719		VALVE MG 2000 G1/4M 150B MIGNON	1,00		14/12/2004	--
0026	VVSC47427		VALVE MG 1000 G1/4M-M D.8 250B	1,00	15/12/2004		--
0027	MEPF39902		PRESSURE SWITCH MTM 1/4M NA/NC 25B. MICRO	1,00	01/05/2010		--
0028	MEPF39741		PRESSURE SWITCH MTM 1/8M NA/NC 25B. MICRO	1,00	01/05/2010		--
0029	TBBP93804		L.P. HOSE D. 6- 9	1,00	01/05/2012		--
0030	FSVR00427		CLAMP D. 12 CLIC 66-110	2,00			--
0031	RCDS20136		SUCTION L= 355 C.	1,00			--
0032	TBAP20184		HOSE-FITTING 3/ 8 R2 L=320 3/8F90-PM26	1,00			--
0033	RCDS20186		NIPPLE 3/8 - 14X1,5 SV	1,00			--
0034	RCDS19322		BLOC BODY 3/8F-M14	1,00			--
0035	VTRS22537		WASHER D. 16	1,00			--
0036	RCDS13012		NIPPLE M22-3/8 D. 7.5	1,00			--
0037	VTRS40960		WASHER D.13.5X19 X4 AL.	1,00			--



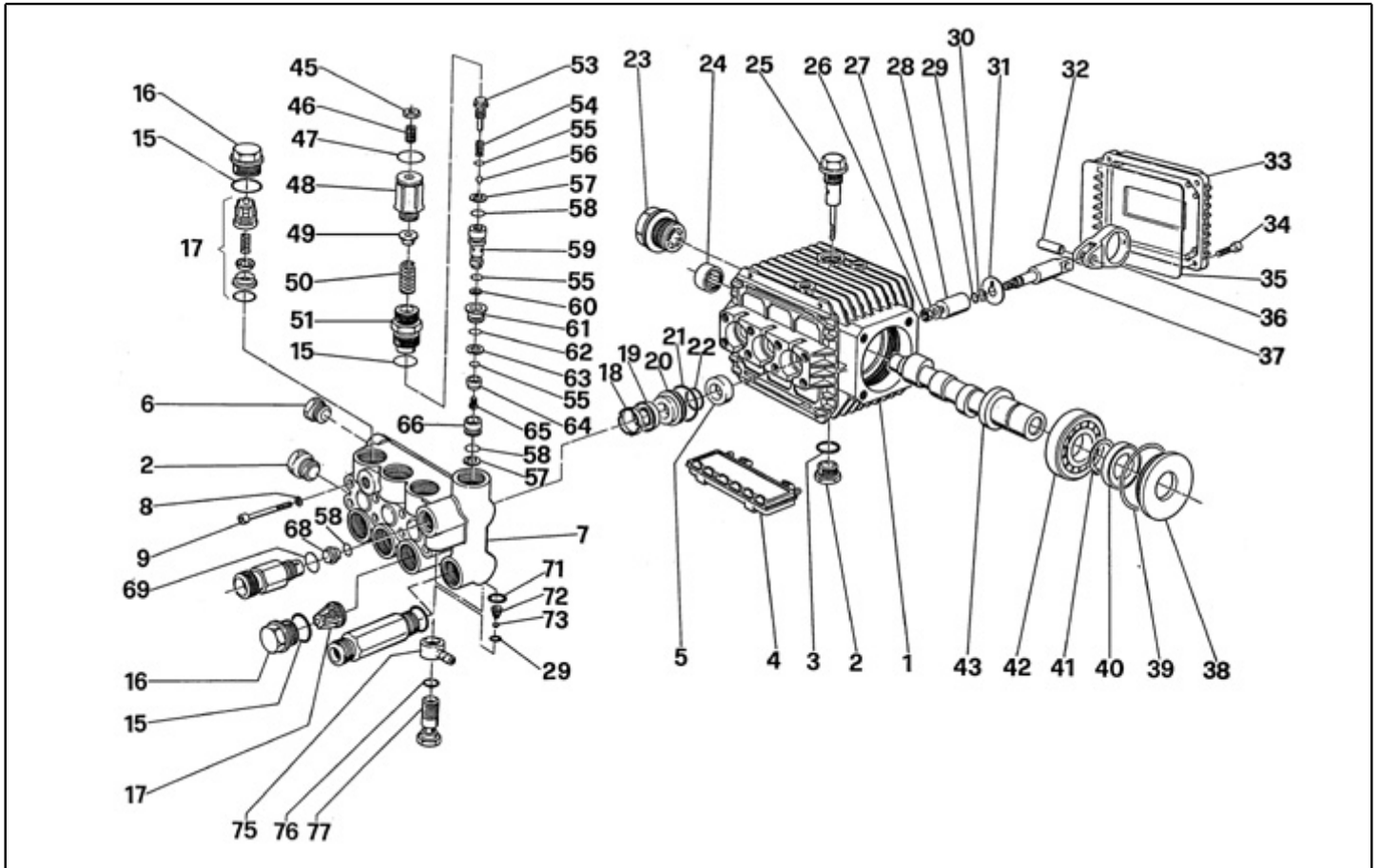
Ref. K	Part n.	Part n. 2	Description	Quantity	Validity		Price
					From	To	
0001	GUGO21222		O-RING D. 15.54 X 2.62 VIT 80SH	2,00			--
0002	GUVR21021		ANTI-EXTR.RING D. 21 X17 TEF.	2,00			--
0003	RCDS21120		RING NUT M 26 X 1,5	2,00			--
0004	LAFN20108		RING D.298 KSM	1,00			--
0005	ITTE48373		BOTTOM KSM C.TE	1,00	24/04/2003		--
0005	LAFN20109		BOILER BOTTOM KSM D.280	1,00		23/04/2003	--
0005	LAFN48448		BOILER BOTTOM KSM 2V. ZN	1,00	24/04/2003		--
0006	GUVR21756		FIB.GLASS CORD D. 12 GR/M 25	0,85		23/04/2003	--
0006	LAFN48368		BAND KSM 2V. INX	1,00	24/04/2003		--
0007	LAFN29731		DOUBLE COIL M26X1.5 SLR 26M	1,00			--
0008	LAFN29735		INT. CYLINDER SLR INX	1,00			--
0009	LAFN29733		EXT. CYLINDER SLR INX	1,00			--
0010	GUVR25775		GASKET D. 105/88 X 3	1,00			--
0011	LAFN29774		NOSEPIECE SLR	1,00			--
0012	LAFN30295		BAFFLE SLR	1,00			--
0013	UGBR18630		BURNER NOZZLE 0.75 45 A	1,00		31/08/2016	--
0013	UGBR18630		BURNER NOZZLE 0.75 45 A	1,00	05/12/2016		--
0013	UGBR40002		BURNER NOZZLE 0.75 45 HFD	1,00	01/09/2016	04/12/2016	--
0014	MFVR19964		ELECTR.HOLDER KSM	1,00		26/01/2005	--
0014	MFVR88612		ELECTR.HOLDER KSM 1/8CN.	1,00	27/01/2005		--
0015	MECA18232		ELECTRODE L=101.5 KSM	2,00			--
0016	LAFN20123		PLATE KSM INX	1,00			--
0017	MECV35336		CABLE A.T. 9,8-23KOHM/M L= 750P	2,00	01/05/2010		--
0019	MECB34463		CABLE BT L=800 SP. FD	1,00	01/05/2010		--
0020	RCVR08954		ELBOW 1/8"-4 B5	1,00	01/03/2015		--
0020	RCVR08954		ELBOW 1/8"-4 B5	1,00		30/06/2013	--
0020	RCVR14014		BI-CONE CONNEC. DTT 1/8" M B1 D. 2/ 4 NIK	1,00	01/07/2013	31/10/2013	--
0020	RCVR72867		CONNECTOR A "T" 1/8" FFM	1,00	01/07/2013	31/10/2013	--
0021	TBCO29747		DIESEL HOSE D. 4 SLR	1,00		31/07/2015	--
0021	TBCO40021		DIESEL HOSE D. 4 SLR INX	1,00	01/08/2015		--



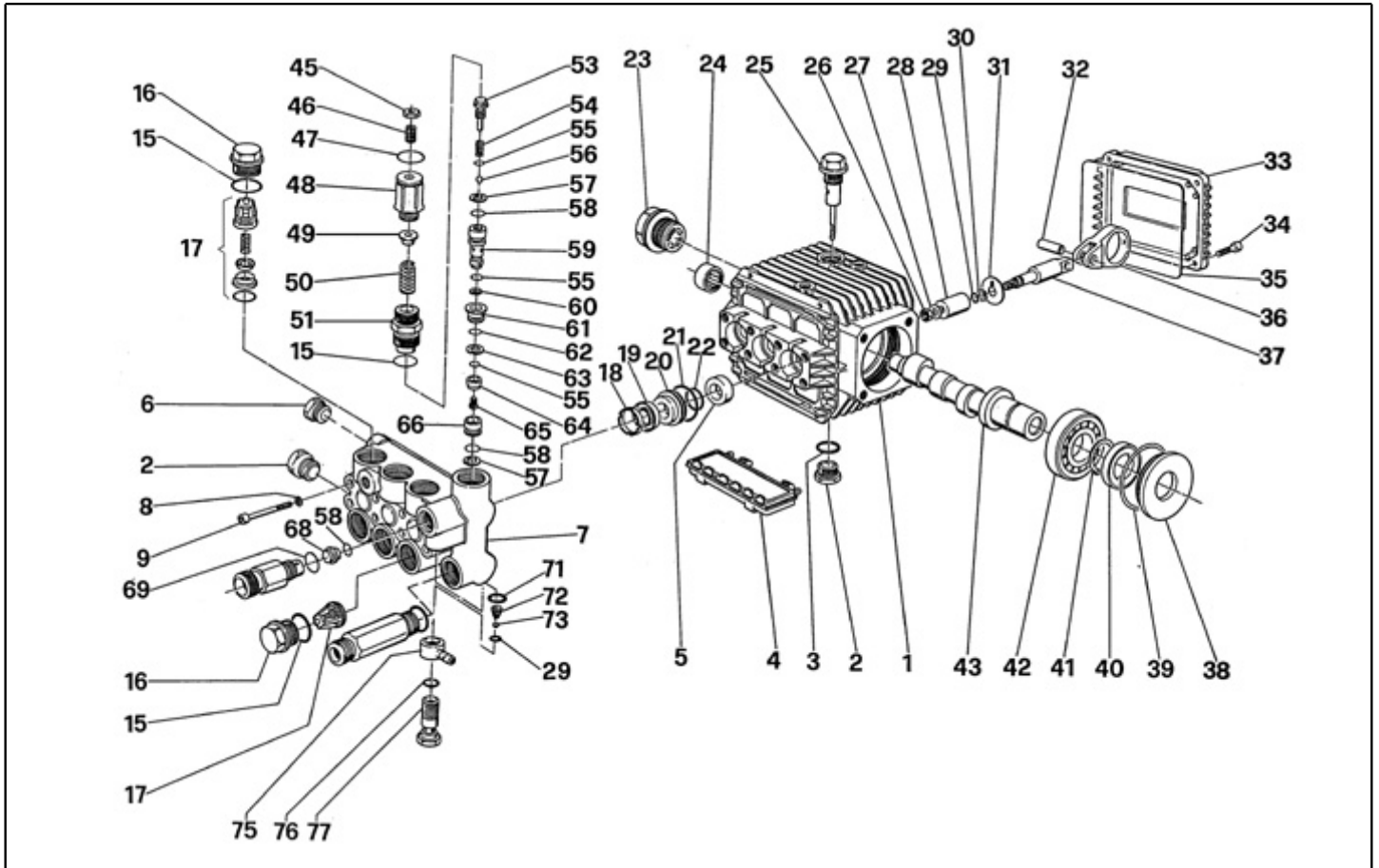
Ref. K	Part n.	Part n. 2	Description	Quantity	Validity		Price
					From	To	
0001	MPVR21415		CLIP KSM	2,00			--
0002	MPVR28287		CONVEYOR MTH	1,00			--
0003	GUGO20124		GASKET KSM	1,00			--
0004	MPVR20125		SCROLL BODY KSM PP	1,00			--
0005	VEVR29207		IMPELLER SLR D.137-80 D.19 SX	1,00			--
0006	MPVR20129		THROTTLE KSM PP	1,00			--
0007	MPVR20126		FAN COVER KSM PP	1,00			--
0008	FGGT20133		JOINT KSM	1,00		05/06/2006	--
0008	FGGT49223		JOINT KSM/P190 2V. PP	1,00	06/06/2006		--
0009	VTVR20127		CLIP KSM	5,00			--
0010	RCDS00626		HOSE FITTING 1/4 M D. 5- 7	1,00	01/12/2000		--
0012	FSVR11197		CLAMP D.12.9-13.6	2,00			--
0013	FTCO10912		FILTER FB 13/T NYL.	1,00			--
0014	TBCO06945		L.P. HOSE D. 6-12 10BAR C.PRESS	0,30			--
0016	FSVR00427		CLAMP D. 12 CLIC 66-110	2,00			--
0018	PPGS40011		FUEL PUMP DNF BFA 01R3L1	1,00	01/07/2010		--
0018	PPGS43706		FUEL PUMP DNF BFPC21R3L1	1,00		30/06/2010	--
0019	MEBE43705		COIL DNF 220-50	1,00	01/05/2010		--
0020	RCVR08954		ELBOW 1/8"-4 B5	1,00			--
0021	TBCO29747		DIESEL HOSE D. 4 SLR	1,00			--
0022	RCDS20417		BUSHING KSM	1,00			--
0027	MECB41542		CABLE DLT L= 700	1,00	01/03/2018		--
0027	MECB43707		CABLE DNF L=1300	1,00	01/05/2010	28/02/2018	--



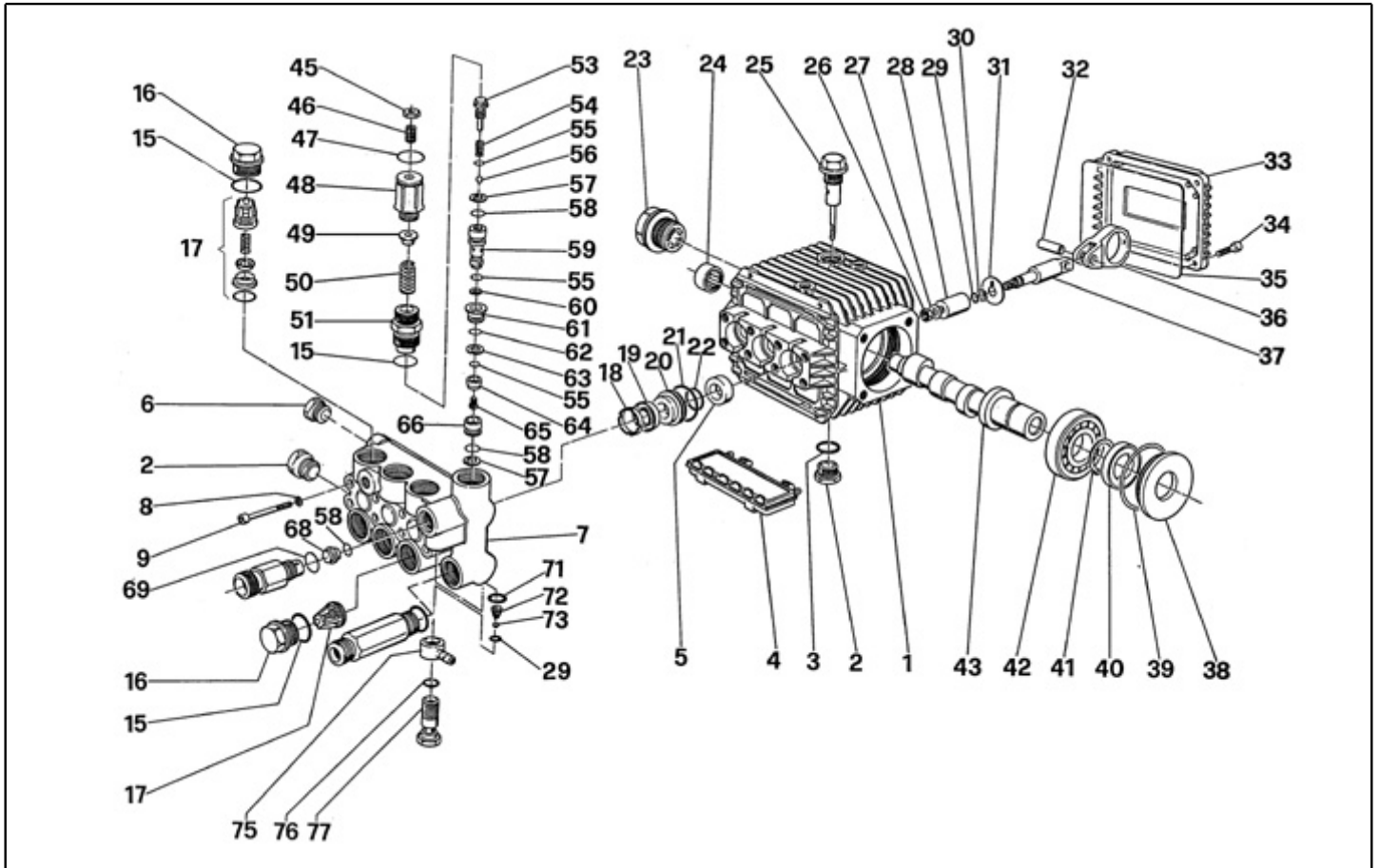
Ref. K	Part n.	Part n. 2	Description	Quantity	Validity		Price
					From	To	
F	MEVR00237		FUSE 5X20 3,15A	1,00	01/05/2010		--
K	METT40009		CONTACTOR SIE 3RT 2016-1AP01 230V	1,00	01/12/2014		--
K	METT43231		CONTACTOR SIE 3RT 1016 1AP01 230V	1,00	01/05/2010	30/11/2014	--
M	MOTR43205		3PH MOTOR SLR/2 HP5.5 400-50 2P IPS	1,00			--
EV	MEBE43705		COIL DNF 220-50	1,00			--
IG	MECI09350		SWITCH O.K.N. 6.3-10 A	1,00	01/05/2010		--
P1	MEPF39741		PRESSURE SWITCH MTM 1/8M NA/NC 25B. MICRO	1,00			--
P2	MEPF39902		PRESSURE SWITCH MTM 1/4M NA/NC 25B. MICRO	1,00			--
TA	METR88630		TRANSFORMER 23/240V-5/60HZ 2X26KV TR.	1,00	01/05/2010		--
TA	METR34464		TRANSFORMER 230V-50HZ 2X4000V SP4 CM	1,00		30/04/2010	--
TH	METK19354		THERMOSTAT 0-150° L=1500	1,00	01/05/2010	14/12/2010	--
TH	METK40006		THERMOSTAT 0-150° L=1500 S&R	1,00	15/12/2010	31/12/2012	--
TH	METK40011		THERMOSTAT 0-150° L=1500 F&C	1,00	01/01/2013		--
TM	METY42780		TIMER THV/2+RL.15-250V 5/60 30S	1,00	01/05/2010		--
TR	METR43881		TRANSFORMER 35VA 400/230V 50/60HZ	1,00	01/05/2010		--
CV1	MECB10518		CABLE H07 RNF 4X1.5 L=6.500	1,00			--



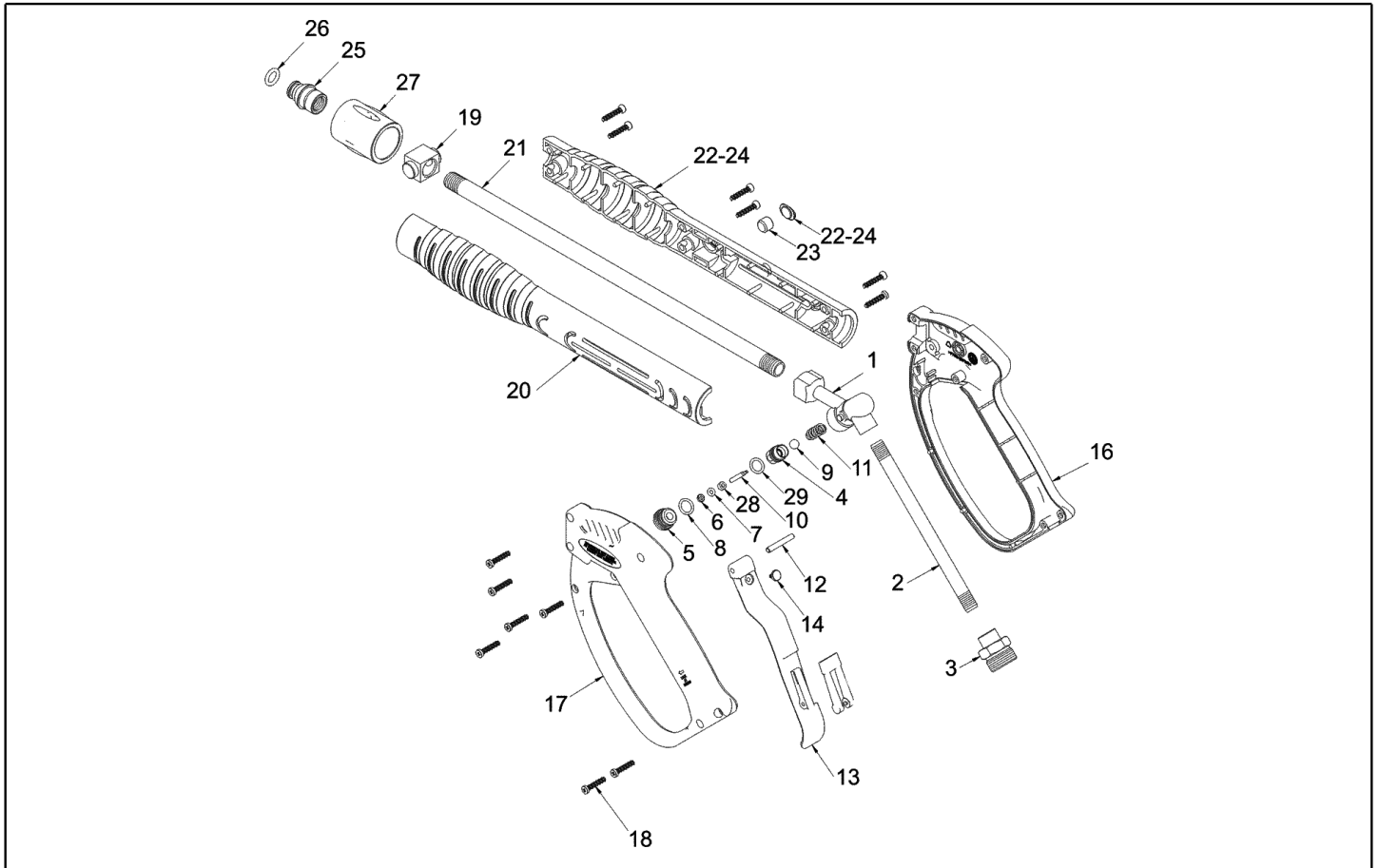
Ref. K	Part n.	Part n. 2	Description	Quantity	Validity		Price
					From	To	
0001	MFVR12641		PUMP CRANKCASE WW 90B - 93B	1,00			--
0002	RCDS01090		CAP 3/8X13 M WW90	2,00			--
0003	GUGO01035		O-RING D. 13.95 X 2.62 NBR 70SH	1,00			--
0004	PVVR43778		PROTECTION WW S.51	1,00			--
0005	S GUGO09690		OIL SEAL 15X 24X 5 NBR70	3,00			--
0006	RCDS01088		CAP 1/4X 9 M WW90	1,00			--
0007	MFVR18931		HEAD WW 90 OT. V.INT. D.15	1,00			--
0008	VTRS01077		WASHER D. 6,4X10X0,7	12,00			--
0009	VTVT06236		SCREW TCCE UNI 5931 6X40 ZB	8,00			--
0015	S GUGO01033		O-RING D. 20.24 X 2.62 NBR 90SH	7,00			--
0016	RCDS43779		CAP M 24X1,5X11,2 WW	6,00			--
0017	S VVAM28467		VALVE UNIT "44" WW136-186	6,00			--
0018	S PVVR09327		HEAD RING D. 15	3,00			--
0019	S GUVR09324		PACKING D. 15 TURBO	3,00			--
0020	S PVVR09687		PACKING RETAIN. D. 15 BJ	3,00			--
0021	S GUGO03506		O-RING D. 25.12 X 1.78 NBR 70SH	3,00			--
0022	S GUGO01054		O-RING D. 15.08 X 2.62 NBR 70SH	3,00			--
0023	PVVR01083		OIL INDICATOR G 3/4 W70-151	1,00			--
0024	CUVR09639		ROLLER BEARING BK 1516V	1,00			--
0025	PVVR01089		OIL DIPSTICK W 70	1,00			--
0026	VTDD04284		NUT M8X1,25 X13X5 S2 INX	3,00			--
0027	VTRS09321		WASHER D. 8X13X1	3,00		29/07/2002	--
0027	VTRS46027		WASHER D. 8 C/CLL.	3,00	30/07/2002		--
0028	PIVR09641		PISTON D.15 BJ WH.	3,00			--
0029	GUGO01055		O-RING D. 5,28 X 1.78 VIT 70SH	4,00			--
0030	GUVR 10257		ANTI-EXTR.RING WW161	3,00			--
0031	VTRS09320		WASHER D. 9X23X0,5	3,00			--
0032	PVVR09646		GUDGEON D. 8X24,5 BJ	3,00			--
0033	MFVR09643		CRANKCASE COVER BJ	1,00			--
0034	VTVT01115		SCREW TCEI 6X18	4,00			--
0035	GUGO27617		O-RING D. 88.57 X 2.62 NBR 70SH	1,00			--
0036	BLVR43780		CONNECTING ROD WW S.51	3,00			--
0037	PVVR09642		PISTON GUIDE BJ	3,00			--
0038	MFVR03565		SPACER W 70	1,00			--
0039	GUGO01040		O-RING D. 55.56 X 3.53 NBR 70SH	1,00			--
0040	GUGO01002		OIL SEAL 25X 42X 7 NBR70	1,00			--
0041	VTAE09655		SEEGER ESTERNO DIN 471 D.25	1,00			--
0042	CUVR09654		BALL BEARING 6305	1,00			--
0043	ALMO09648		ECC.SHAFT WW "N" C.9.4 D.24	1,00			--
0045	VTDD09708		NUT M 8 UNI 5589	1,00			--
0046	VTVT20196		SCREW EI-ST 8X20 UNI5923	1,00			--
0047	GUGO01057		O-RING D. 20.35 X 1.78 NBR 70SH	1,00			--
0048	PVVR18672		REGISTER COLT	1,00			--
0049	PVVR11656		SPRING PLATE W1	1,00			--



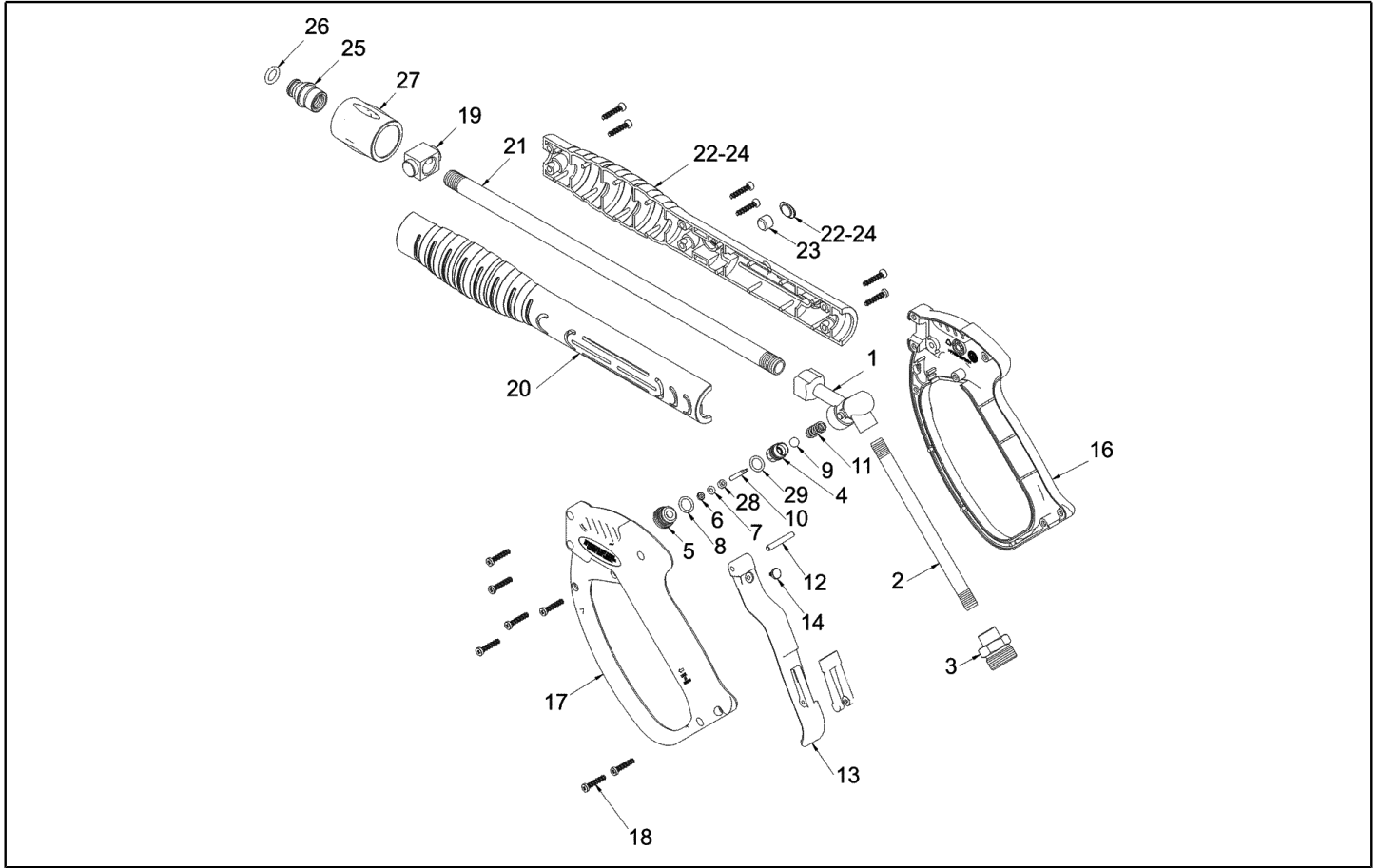
Ref. K	Part n.	Part n. 2	Description	Quantity	Validity		Price
					From	To	
0050	MLML11655		SPRING D.15X35	1,00			--
0051	S	PVVR18671	BUSHING COLT	1,00			--
0053	S	PVVR18670	LIMIT SWITCH COLT	1,00			--
0054	S	MLML20195	SPRING D. 6.1X19	1,00			--
0055	S	GUGO03497	O-RING D. 6.75 X 1.78 VIT 80SH	3,00			--
0056	S	SFVR12904	BALL D. 9/32 W1 INX	1,00		31/03/2009	--
0056	S	PVVR89063	COUPLING V.INT. "H"	1,00	01/04/2009		--
0057	S	GUVR11651	ANTI-EXTR.RING D. 10.6X15X2	2,00			--
0058	S	GUGO03501	O-RING D. 9.92 X 2.62 VIT 70SH	3,00			--
0059	S	PVVR18669	CONTROL PISTON COLT	1,00			--
0060	S	GUVR04309	ANTI-EXTR.RING HM	2,00			--
0061	S	PVVR11653	VALVE GUIDE CONTROL SET W1	2,00			--
0062	S	GUGO11652	O-RING D. 12.42 X 1.78 NBR 70SH	1,00			--
0063	S	GUVR11650	ANTI-EXTR.RING CONTROL SET W1	1,00			--
0064	S	PVVR18668	VALVE CLT	1,00			--
0065	S	VTVT18667	SCREW M 5X0,8X7,5	1,00			--
0066	S	PVVR12887	VALVE SEAT CONTROL SET W1	1,00			--
0068		UGEI09840	NOZZLE D. 2.0 OT58	1,00			--
0069		GUGO03507	O-RING D. 13.95 X 2.62 VIT 70SH	1,00			--
0071		GUGO03496	O-RING D. 9.25 X 1.78 NBR 70SH	1,00			--
0072		MLML04264	SPRING D. 4.3X11X7.3 KR	1,00			--
0073		SFVR04274	BALL D. 7/32	1,00			--
0075		RCDS20865	CONNECTOR O. D.14 - 3-6	1,00			--
0076		GUGO01036	O-RING D. 10.82 X 1.78 NBR 70SH	1,00			--
0077		PVVR09709	VALVE SEAT KR	1,00			--



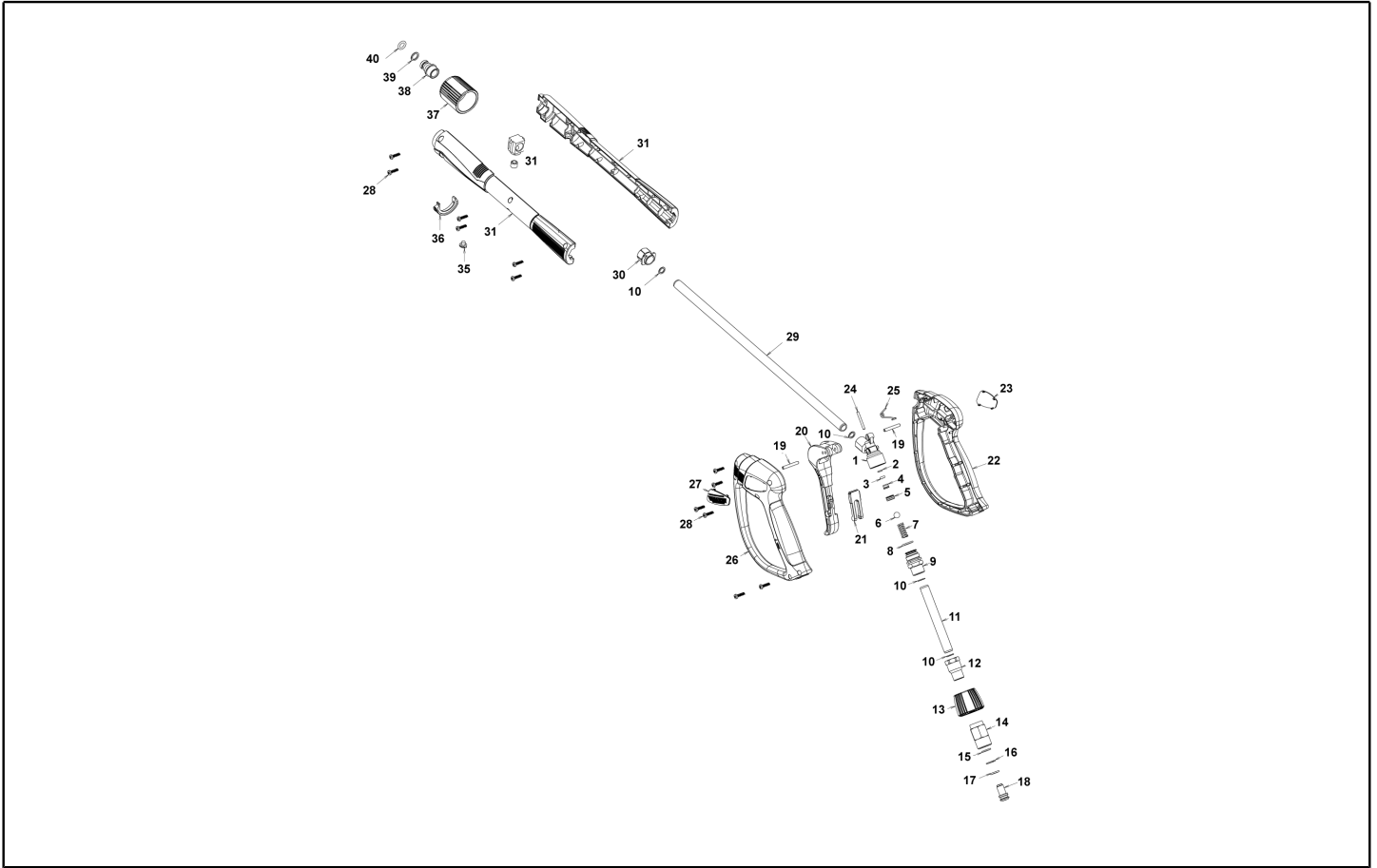
Ref. Part n.	Part n. 2	Description	Reference	Price
KTRI18651		KIT P 83	0005	--
KTRI28508		KIT P 15-123	0017	--
KTRI21664		KIT P 96	0018 0019 0020 0021 0022	--
KTRI21665		KIT P 97	0018 0019 0021 0022	--
KTRI18654		KIT P 15- 86	0020 0021 0022	--
KTRI20717		KIT P 15-102P SF.ACC.	0051 0053 0054 0055 0056 0057 0058 0059 0060 0061 0062 0063 0064 0065 0066	--
KTRI18655		KIT P 102	0051 0053 0054 0055 0056 0057 0058 0059 0060 0061 0062 0063 0064 0065 0066	--



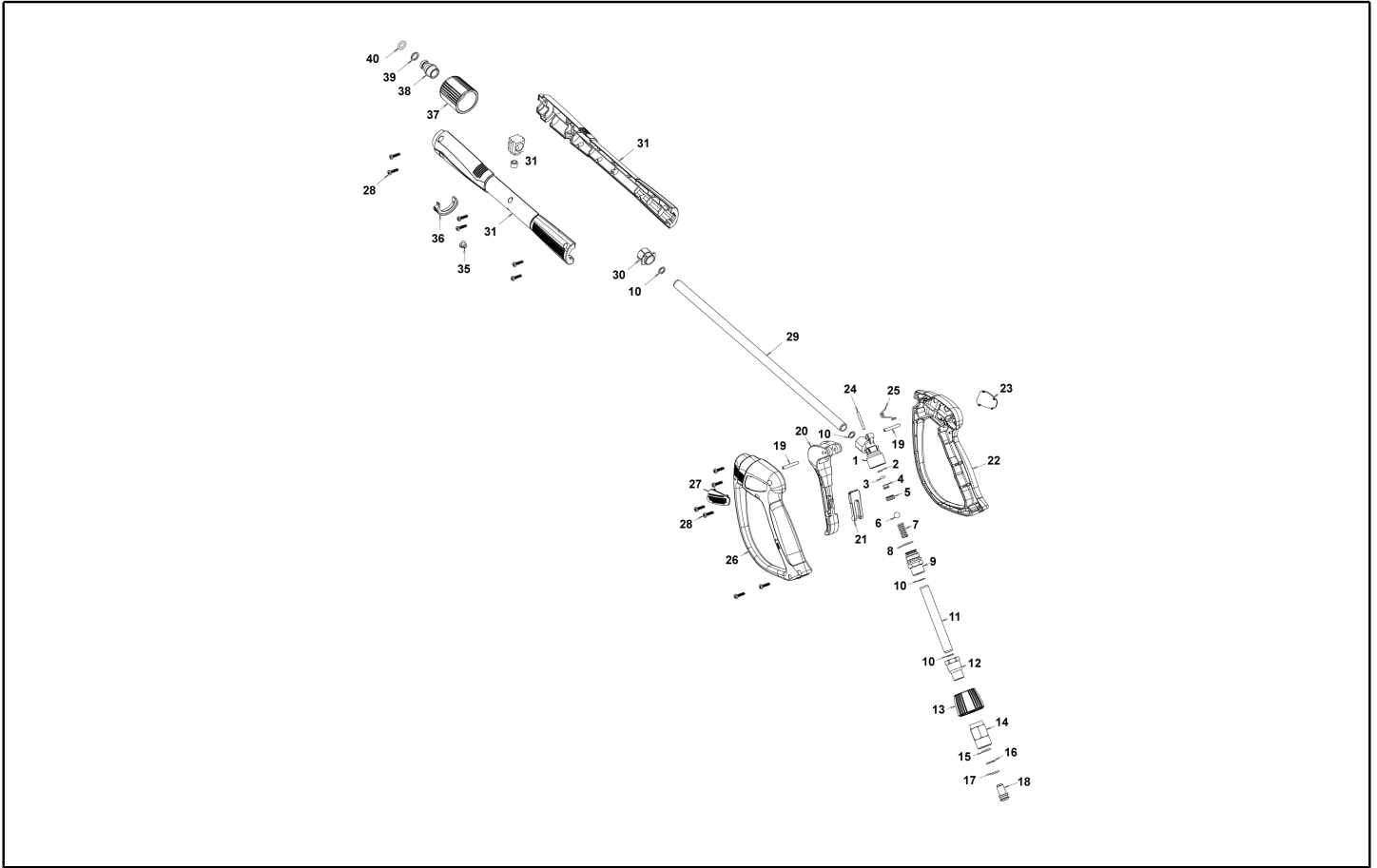
Ref. K	Part n.	Part n. 2	Description	Quantity	Validity		Price
					From	To	
0001	PVVR40032		GUN BODY MV2005 G1/4	1,00			--
0002	PVVR40033		TUBE D.10X1.5 L=146	1,00			--
0003	RCIN40002		MALE COUPLING M 22 -1/4F MV	1,00			--
0004	S PVVR40034		BUSHING MV2005	1,00			--
0005	PVVR40035		CAP M16X1 MV2005	1,00			--
0006	S GUVR40007		ANTI-EXTR.RING D. 3 NBR90	1,00			--
0007	S GUGO19189		O-RING D. 2.90 X 1.78 NBR 70SH	1,00			--
0008	GUGO01436		O-RING D. 9.25 X 1.78 NBR 90SH	1,00			--
0009	S SFVR12904		BALL D. 9/32 W1 INX	1,00			--
0010	S PVVR45058		SMALL PISTON MV 832 INX	1,00			--
0011	S MLML45057		SPRING D. 7 MV870	1,00			--
0012	VTVR40004		PLUG D. 3X23	1,00			--
0013	MPVR40060		TRIGGER MV2005	1,00			--
0014	PVVR45053		PAWL G 2100 INX	1,00			--
0016	MPVR40062		SHELL MV2005 2PZ.	1,00			--
0017	MPVR40062		SHELL MV2005 2PZ.	1,00			--
0018	VTVT62984		SCREW TC-CR M 4.2 X19 ZN	13,00			--
0019	PVVR40036		CONNECTOR M10X1 MV2005	1,00			--
0020	MPVR40063		PROTECTION MV 181 2PZ.	1,00			--
0021	PVVR40037		TUBE G 1/4 MV L=340	1,00			--
0022	MPVR40063		PROTECTION MV 181 2PZ.	1,00			--
0023	VTVT01523		SCREW M 10X 10 EI-ST UNI 5927	1,00			--
0024	MPVR40063		PROTECTION MV 181 2PZ.	1,00			--
0025	RCIN40003		GUDGEON G 1/4 F IRV MV126	1,00			--
0026	GUGO28927		O-RING D. 9.13 X 2.62 NBR 70SH	1,00			--
0027	PVVR40038		CONNECTION M22X1,5 IRV MV181	1,00			--
0028	S PVVR40039		PISTON GUIDE MV2005	1,00			--
0029	S GUGO19398		O-RING D. 8.73 X 1.78 VIT 70SH	1,00			--



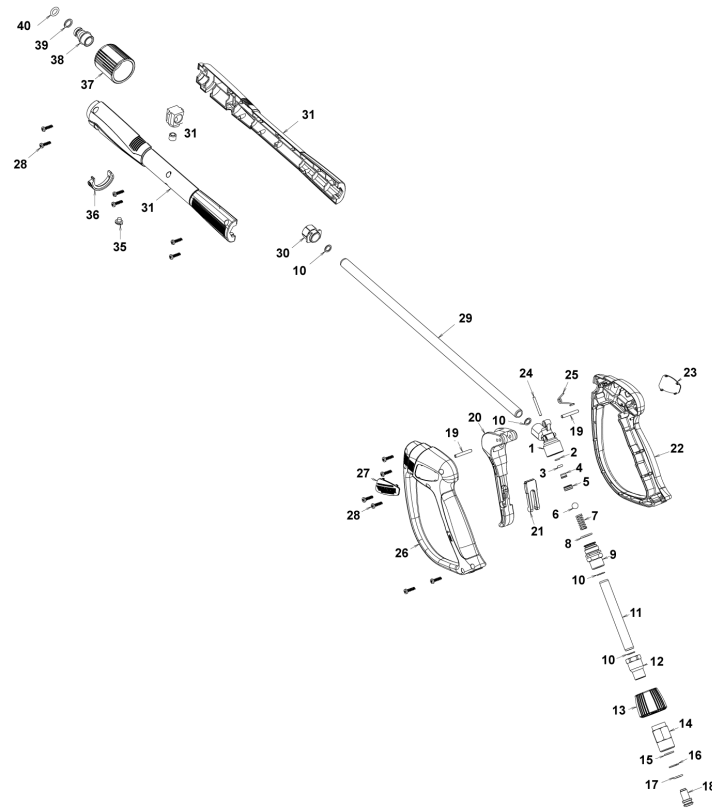
Ref. Part n.	Part n. 2	Description	Reference	Price
KTRI40014		KIT P 26- 22 MV 2005	0004 0006 0007 0009 0010 0011 0028 0029	--



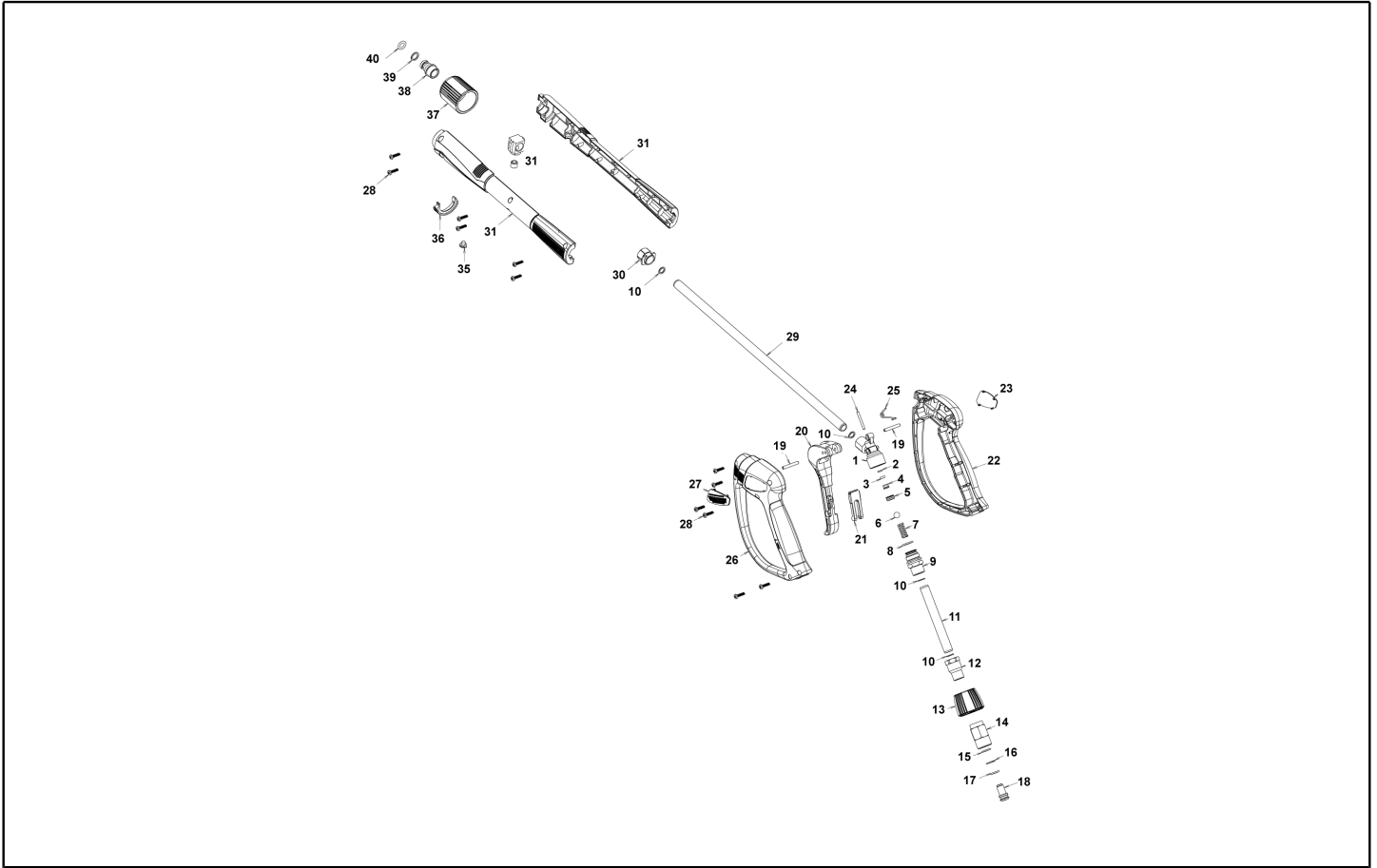
Ref. K	Part n.	Part n. 2	Description	Quantity	Validity		Price
					From	To	
0001	PVVR40381		GUN BODY G 5100 G1/4F	1,00			--
0002	S	GUVR40074	ANTI-EXTR.RING D. 3 X 7.4X1.3	1,00			--
0003	S	GUGO21835	O-RING D. 2.84 X 2.62 VIT. 80SH	1,00			--
0004		PVVR40382	PISTON GUIDE G 5100	1,00			--
0005	S	PVVR40112	BALL SEAT G 5000	1,00			--
0006	S	SFVR40002	BALL D.11/32" ALL GR16	1,00			--
0007		MLML40016	SPRING D. 9.4 x21.5x1.6 G5000	1,00			--
0008		GUGO12322	O-RING D. 14 X 1.78 NBR 90SH	1,00			--
0009		PVVR40383	CONNECTOR COLL.G5100 1/4F	1,00			--
0010		VTRS40017	WASHER D. 8.2X11,4X1.00	4,00			--
0011		PVVR40384	TUBE G 1/4" L.105	1,00			--
0012		RCIN40022	CONNECTOR SWIV G5100 1/4F	1,00			--
0013		MPVR40819	RING NUT G 5100 SW. BK.	1,00			--
0014		RCIN40021	JOINT SWIV 5100 M22	1,00			--
0015	S	GUVR40075	ANTI-EXTR.RING D. 10 X14X1.5	1,00			--
0016	S	GUVR40076	ANTI-EXTR.RING D. 11.2X14X1.2	1,00			--
0017	S	GUGO15295	O-RING D. 10.82 X 1.78 VIT 75SH	1,00			--
0018		PVVR40386	SCREW SW. G 5100	1,00			--
0019		VTVR40047	PLUG D. 4X29	2,00			--
0020		MPVR40820	TRIGGER G 6000-SW	1,00			--
0021		MPVR40821	SAFETY-DEVICE G 6000-SW	1,00			--
0022		MPVR40822	SHELL G 6000-SW DX	1,00			--
0023		MPVR40823	PLATE G 6000 GR.DX	1,00			--
0024		PVVR40387	SMALL PISTON G 5100	1,00			--
0025		MLML40029	SPRING G 5100	1,00			--
0026		MPVR40824	SHELL G 6000-SW SX	1,00			--
0027		MPVR40825	PLATE G 6000 GR.SX	1,00			--
0028		VTVT40043	SCREW AF 4X 14 HILO ZN.N	12,00			--
0029		LCPR40086	TUBE 1/4 L=420 ZC. 0°	1,00			--
0030		MPVR40493	CONNECTOR G 5100-SW	1,00			--
0031		MPVR40494	PROTECTION P 420 C/AN.	1,00			--
0035		MPVR40198	CAP G 5000	1,00			--
0036		MPVR40495	CAP G 5100 REM.	1,00			--
0037		PVVR40119	CONNECTION M22X1,5 IRV G5000	1,00			--
0038		RCIN40009	GUDGEON G 1/4 F IRV G5000	1,00			--
0039		GUVR40034	ANTI-EXTR.RING D. 10 X14	1,00			--
0040		GUGO01946	O-RING D. 9.13 X 2.62 VIT 70SH	1,00			--



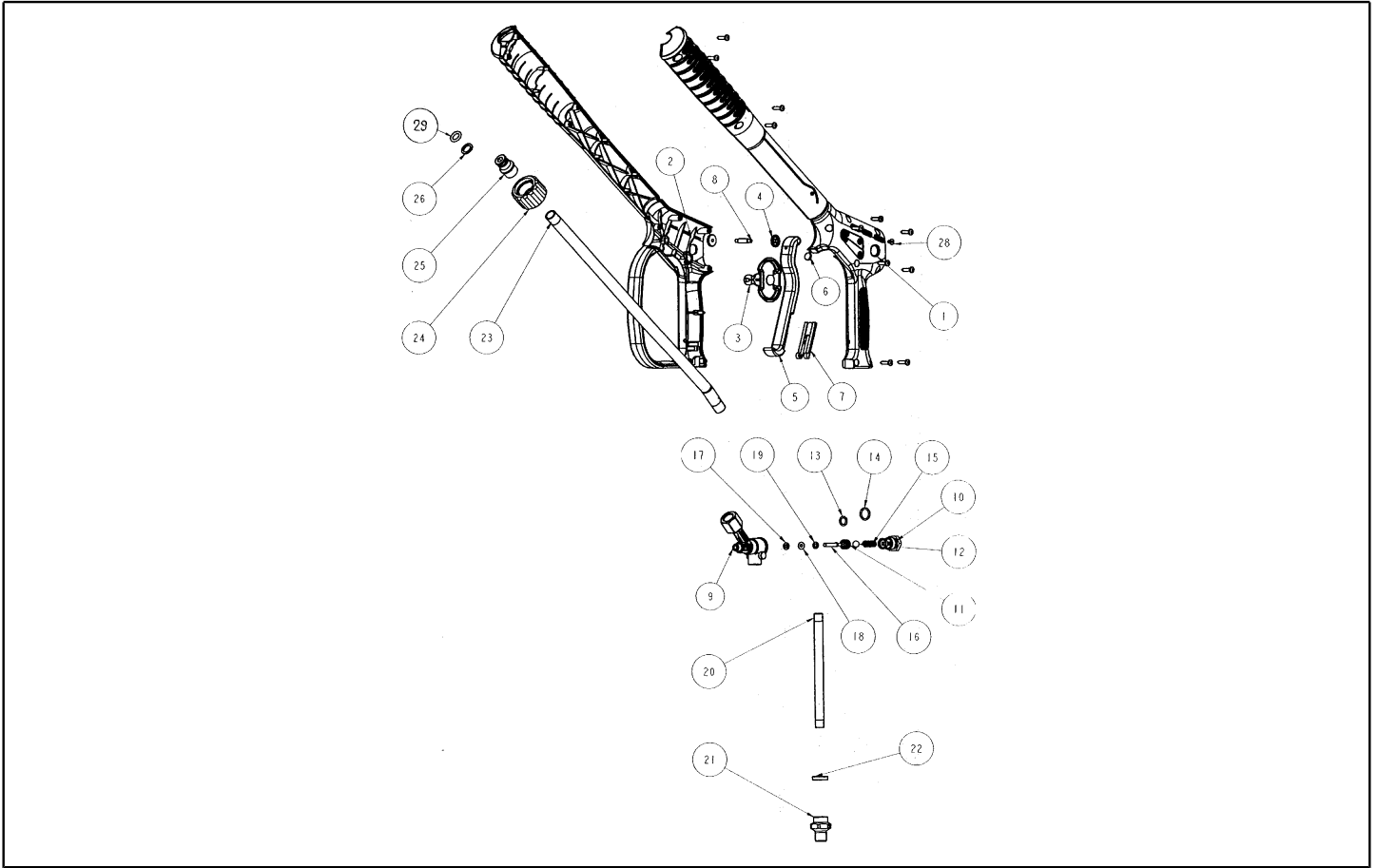
Ref. Part n.	Part n. 2	Description	Reference	Price
KTRI40243		KIT P 26- 26 SWIVEL G 5100	0015 0016 0017	--
KTRI40414		KIT P 26- 34 G 6000	0002 0003 0005 0006	--



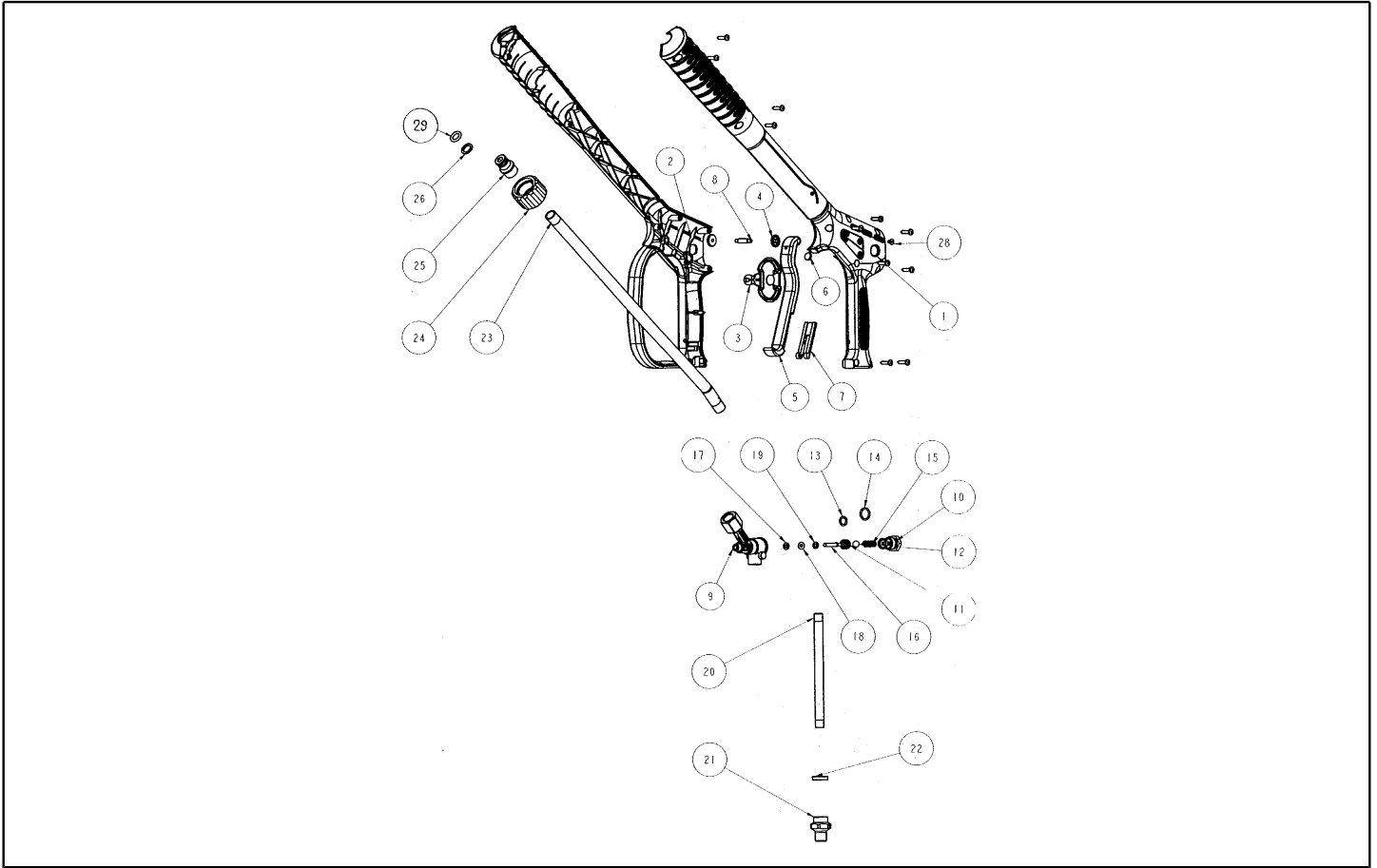
Ref. K	Part n.	Part n. 2	Description	Quantity	Validity		Price
					From	To	
0001	PVVR40381		GUN BODY G 5100 G1/4F	1,00			--
0002	S	GUVR40074	ANTI-EXTR.RING D. 3 X 7.4X1.3	1,00			--
0003	S	GUGO21835	O-RING D. 2.84 X 2.62 VIT. 80SH	1,00			--
0004		PVVR40382	PISTON GUIDE G 5100	1,00			--
0005	S	PVVR40563	BALL SEAT AL36 G6000 + OR	1,00			--
0006	S	SFVR40004	BALL D. 5/16" ALL.GR16	1,00			--
0007		MLML40047	SPRING D. 9.4 x23.5x1.6 G6000	1,00			--
0008		GUGO12322	O-RING D. 14 X 1.78 NBR 90SH	1,00			--
0009		PVVR40383	CONNECTOR COLL.G5100 1/4F	1,00			--
0010		VTRS40017	WASHER D. 8.2X11,4X1.00	4,00			--
0011		PVVR40384	TUBE G 1/4" L.105	1,00			--
0012		RCIN40022	CONNECTOR SWIV G5100 1/4F	1,00			--
0013		MPVR40967	RING NUT G 6000 SW. GR.	1,00			--
0014		RCIN40021	JOINT SWIV 5100 M22	1,00			--
0015	S	GUVR40075	ANTI-EXTR.RING D. 10 X14X1.5	1,00			--
0016	S	GUVR40076	ANTI-EXTR.RING D. 11.2X14X1.2	1,00			--
0017	S	GUGO15295	O-RING D. 10.82 X 1.78 VIT 75SH	1,00			--
0018		PVVR40386	SCREW SW. G 5100	1,00			--
0019		VTVR40047	PLUG D. 4X29	2,00			--
0020		MPVR40820	TRIGGER G 6000-SW	1,00			--
0021		MPVR40821	SAFETY-DEVICE G 6000-SW	1,00			--
0022		MPVR40822	SHELL G 6000-SW DX	1,00			--
0023		MPVR40968	PLATE G 6000/2 GR.DX	1,00			--
0024		PVVR40564	SMALL PISTON G 6000 AL36 SP.	1,00			--
0025		MLML40029	SPRING G 5100	1,00			--
0026		MPVR40824	SHELL G 6000-SW SX	1,00			--
0027		MPVR40825	PLATE G 6000 GR.SX	1,00			--
0028		VTVT40043	SCREW AF 4X 14 HILO ZN.N	12,00			--
0029		LCPR40181	TUBE 1/4 L=416 ZC. 0°	1,00			--
0030		MPVR40493	CONNECTOR G 5100-SW	1,00			--
0031		MPVR40494	PROTECTION P 420 C/AN.	1,00			--
0035		MPVR40198	CAP G 5000	1,00			--
0036		MPVR40495	CAP G 5100 REM.	1,00			--
0037		PVVR40119	CONNECTION M22X1,5 IRV G5000	1,00			--
0038		RCIN40048	GUDGEON G 1/4 F IRV G6000/2	1,00			--
0039		GUVR40034	ANTI-EXTR.RING D. 10 X14	1,00			--
0040		GUGO63555	O-RING D. 9.3 X 2,4 VIT 75SH	1,00			--



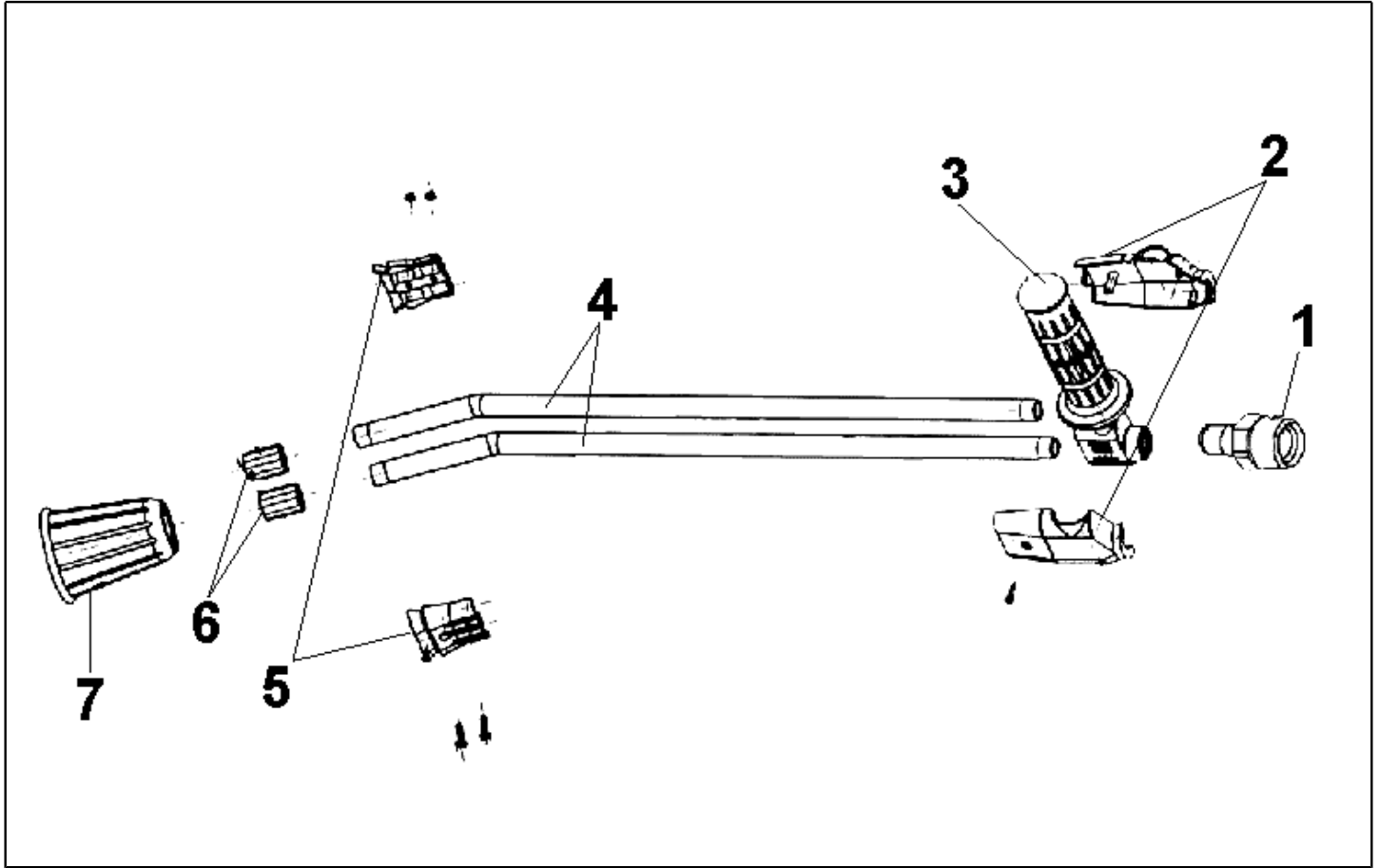
Ref. Part n.	Part n. 2	Description	Reference	Price
KTRI40243		KIT P 26- 26 SWIVEL G 5100	0015 0016 0017	--
KTRI40513		KIT P 26- 36 G 6000/II	0002 0003 0005 0006	--



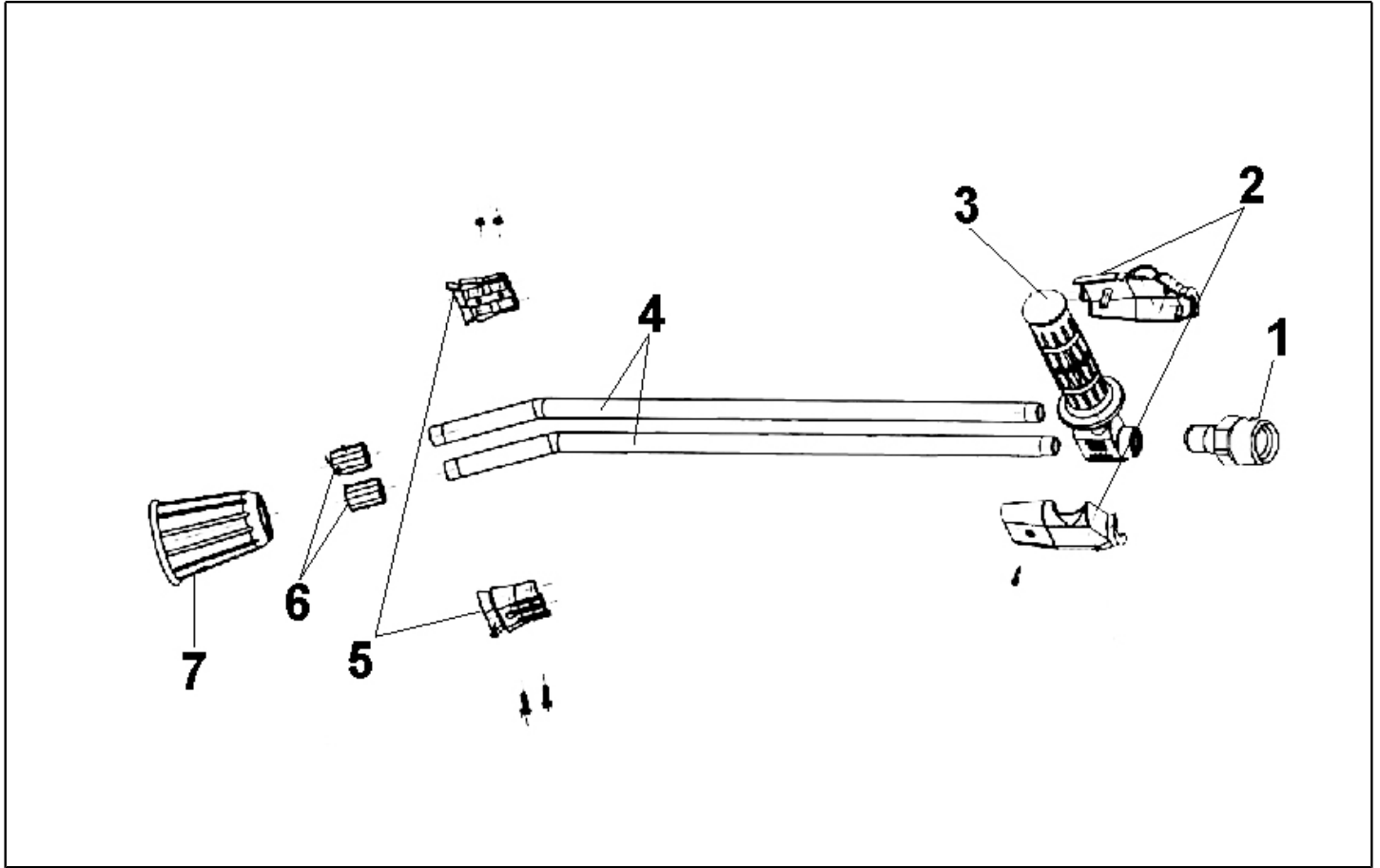
Ref. K	Part n.	Part n. 2	Description	Quantity	Validity		Price
					From	To	
0001	MPVR43269		HALF BEARING G2200 SX PRT	1,00			--
0002	MPVR43268		HALF BEARING G2200 DX PRT	1,00			--
0003	MPVR43270		CAP G2200	1,00			--
0004	VTRS41562		WASHER AURA 200	2,00			--
0005	MPVR41568		TRIGGER AURA 200	1,00			--
0006	PVVR41567		PAWL AURA 200 INX	1,00			--
0007	MPVR41569		SAFETY-DEVICE AURA 200	1,00			--
0008	VTVR41566		PLUG AURA 200	1,00			--
0009	PVVR41559		GUN BODY AURA G1/4 L.18	1,00			--
0010	E PVVR43275		CAP M14X1 AURA 200 2.V	1,00			--
0011	E PVVR43274		BALL SEAT AURA 200 2.V	1,00			--
0012	E SFVR12904		BALL D. 9/32 W1 INX	1,00			--
0013	E GUGO63426		O-RING D. 7.66 X 1.78 NBR 90SH	1,00			--
0014	E GUGO19194		O-RING D. 11.11 X 1.78 NBR 70SH	1,00			--
0015	E MLML41571		SPRING D. 7 X21 D.1.2	1,00			--
0016	S PVVR43264		SMALL PISTON AURA 200 INX L=30 2V.	1,00			--
0017	S GUVVR41557		ANTI-EXTR.RING D. 4 X 7.8X1.2	1,00			--
0018	S GUGO01201		O-RING D. 3.6 X 2.4 -NBR 70SH	1,00			--
0019	S VTRS43265		WASHER OT AURA	1,00			--
0020	PVVR43272		PIPE G 1/8" M/M L.133	1,00			--
0021	RCIN41561		MALE COUPLING M 22 -1/8F	1,00			--
0022	MPVR43271		WASHER 1/8" G2200	1,00			--
0023	LCPR43273		TUBE 1/4 L=384 0° 1/4 M-M INX	1,00			--
0024	PVVR43276		CONNECTION M22X1.5 IRV	1,00			--
0025	RCIN43267		GUDGEON G 1/4 F IRV	1,00			--
0026	GUVVR43266		ANTI-EXTR.RING SR 110	1,00			--
0028	PVVR42233		CAP D. 3 PLS YLW.	1,00			--
0029	GUGO28927		O-RING D. 9.13 X 2.62 NBR 70SH	1,00			--



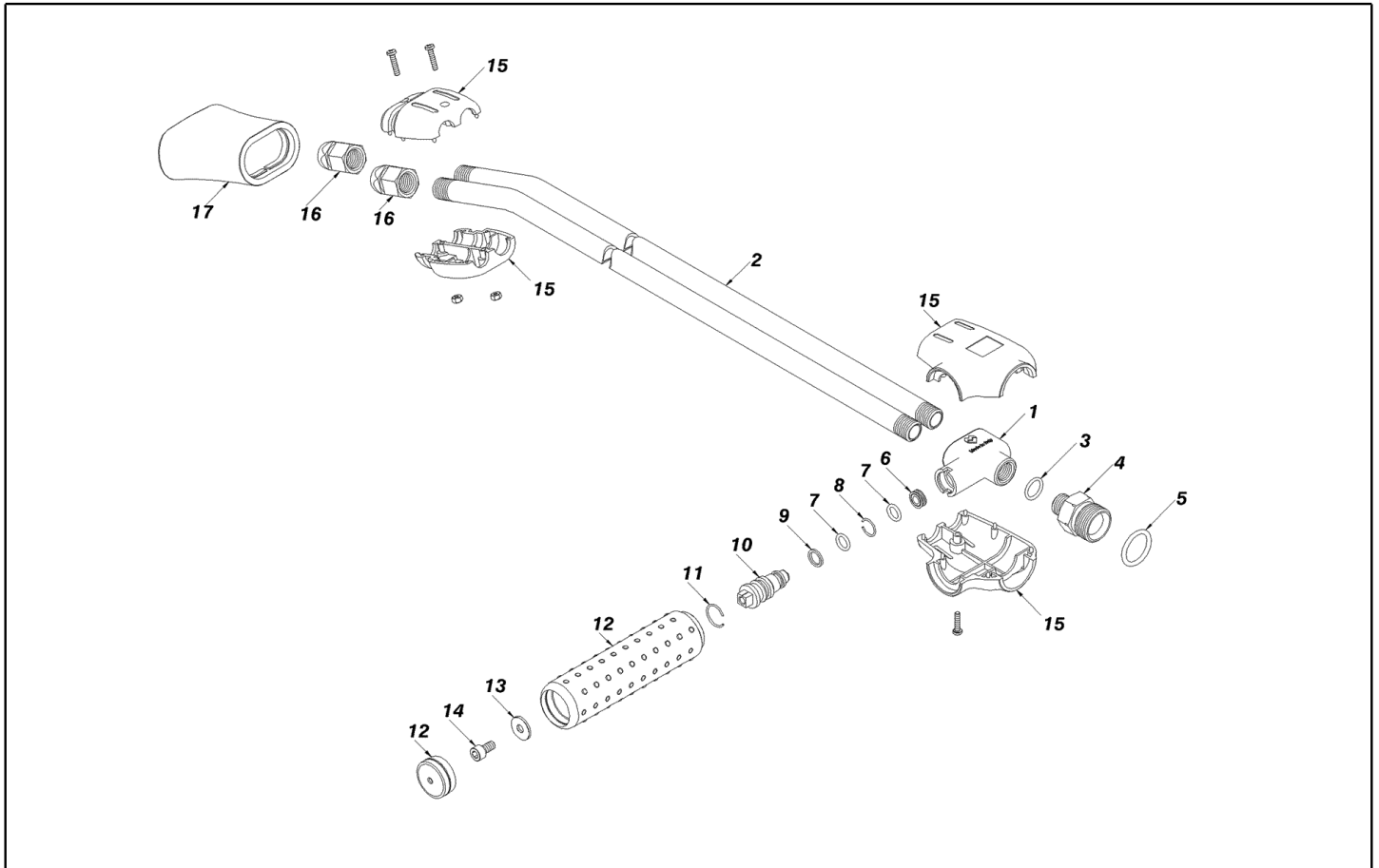
Ref. Part n.	Part n. 2	Description	Reference	Price
KTRI40835		KIT P 26- 15 AURA 200	0011 0012 0013 0014 0015 0016 0017 0018 0019	--
KTRI47792		KIT P 26- 20 AURA 200	0010 0011 0012 0013 0014 0015	--



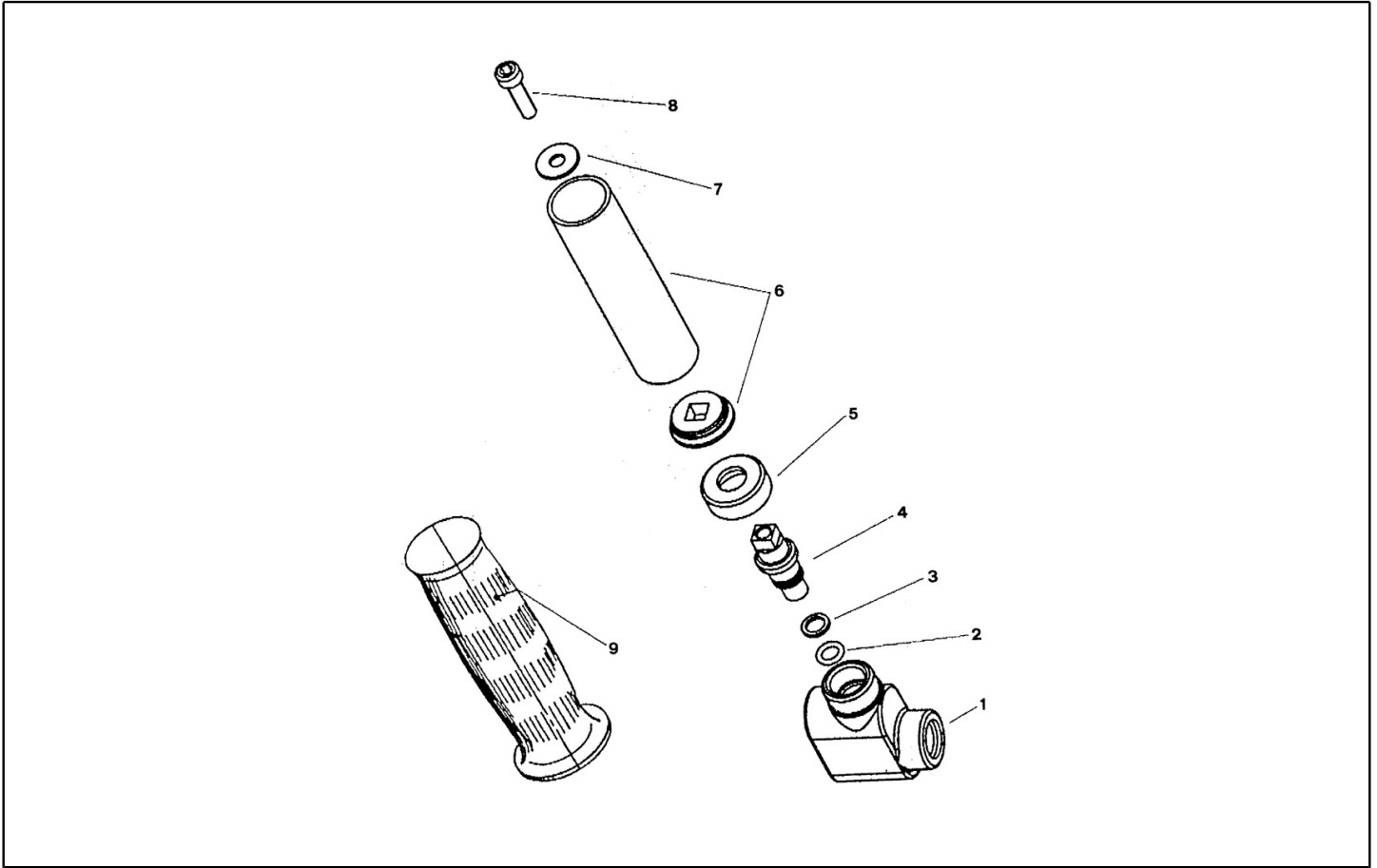
Ref. K	Part n.	Part n. 2	Description	Quantity	Validity		Price
					From	To	
0001	PVVR45296		COUPLING G 1/4M -M22 M +PR.PLS	1,00			--
0002	MPVR45214		PROTECTION TB.1/4 MTM	1,00			--
0003	RCGR45737		TAP 1/8 F LD MTM	1,00			--
0004	LCPR45738		TUBE 1/8 L=500 INOX MTM	2,00			--
0005	MPVR45001		SHELL LD MTM	1,00			--
0006	RCVR45741		NOZZLE HOLDER 1/4-1/8 F MTM	2,00			--
0007	PVVR43810		PROTECTION L.D. MTM	1,00			--



Ref. K	Part n.	Part n. 2	Description	Quantity	Validity		Price
					From	To	
0001	PVVR45296		COUPLING G 1/4M -M22 M +PR.PLS	1,00			--
0002	MPVR45214		PROTECTION TB.1/4 MTM	1,00			--
0003	RCGR45737		TAP 1/8 F LD MTM	1,00			--
0004	LCPR45740		TUBE 1/8 L=660 INOX MTM	2,00			--
0005	MPVR45001		SHELL LD MTM	1,00			--
0006	RCVR45741		NOZZLE HOLDER 1/4-1/8 F MTM	2,00			--
0007	PVVR43810		PROTECTION L.D. MTM	1,00			--



Ref. K	Part n.	Part n. 2	Description	Quantity	Validity		Price
					From	To	
0001	RCGR40000		TAP BODY L.DOP. 1/4" MV INX	1,00			--
0002	LCPR40000		TUBE 1/4 L=700 CROM.	2,00		30/11/2009	--
0002	LCPR40107		TUBE 1/4 L=700 INX.	2,00	01/12/2009		--
0003	GUGO19194		O-RING D. 11.11 X 1.78 NBR 70SH	1,00		30/09/2010	--
0003	VTRS04931		WASHER COPPER D.13X19X1.5	1,00	01/10/2010		--
0004	RCIN46781		MALE COUPLING MV 1/4 -M 22 M	1,00			--
0005	GUGO01056		O-RING D. 18.72 X 2.62 NBR 70SH	1,00			--
0006	PVVR40019		BUSHING MV LD	1,00			--
0007	GUGO06988		O-RING D. 7.66 X 1.78 NBR 70SH	2,00			--
0008	PVVR40020		CIRCLIP LD MV D. 8	1,00			--
0009	GUGO40002		ANTI-EXTR.RING D. 8 NBR	1,00			--
0010	PVVR40021		REGULAT. SCREW LD MV INX	1,00			--
0011	PVVR46783		CIRCLIP LD MV	1,00			--
0012	PVVR46784		KNOB LD MV +CAP	1,00			--
0013	VTRS15958		WASHER UNI 6592 5X15X1,5 ZB	1,00			--
0014	VTVT17639		SCREW TCEI M 5X10 UNI 5931	1,00			--
0015	MPVR46786		PROTECTION LD/TB MV	1,00			--
0016	RCVR46787		NOZZLE HOLDER 1/4-1/4 F MV	12,00			--
0017	PVVR46788		PROTECTION LD MV	1,00			--



Ref. K	Part n.	Part n. 2	Description	Quantity	Validity		Price
					From	To	
0001	RCGR41556		TAP BODY L.DOP. 1/8" MTM	1,00		08/03/2010	--
0001	PVVR40132		VALVE BODY L.DP 1/4F-1/8FF CP.	1,00	09/03/2010		--
0002	GUGO10330		O-RING D. 6.07 X 1.78 VIT 70SH	1,00		08/03/2010	--
0003	GUVR41551		ANTI-EXTR.RING SR 010	1,00		08/03/2010	--
0004	PVVR41553		SMALL PISTON L.DP. MTM	1,00		08/03/2010	--
0005	PVVR41555		RING NUT L.DOP. MTM	1,00		08/03/2010	--
0006	LAFN41552		PIPE D. 22 MTM	1,00			--
0007	VTRS15958		WASHER UNI 6592 5X15X1,5 ZB	1,00			--
0008	VTVT17639		SCREW TCEI M 5X10 UNI 5931	1,00			--
0009	MPVR41554		KNOB D. 22 MTM	1,00			--