

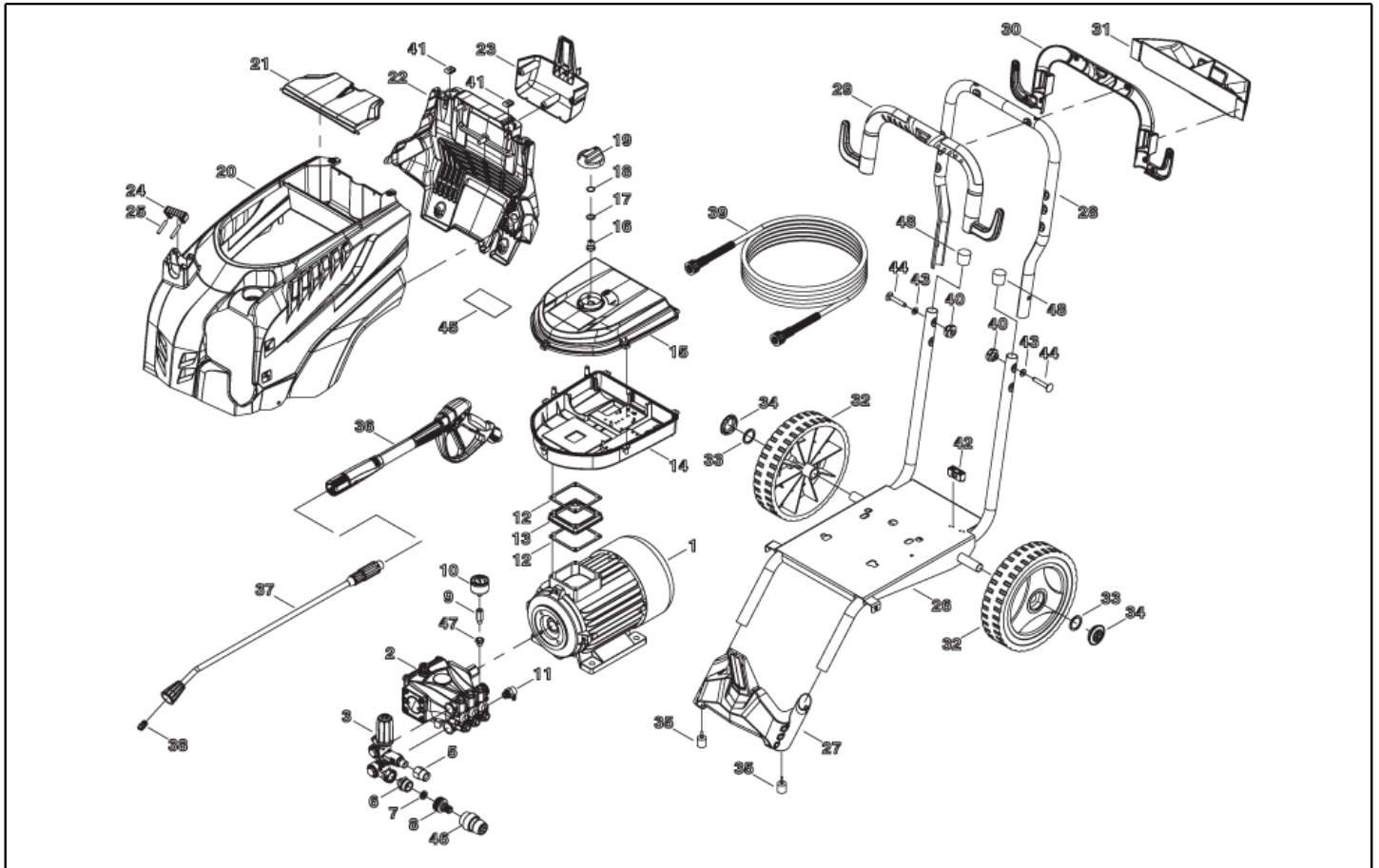


IPC

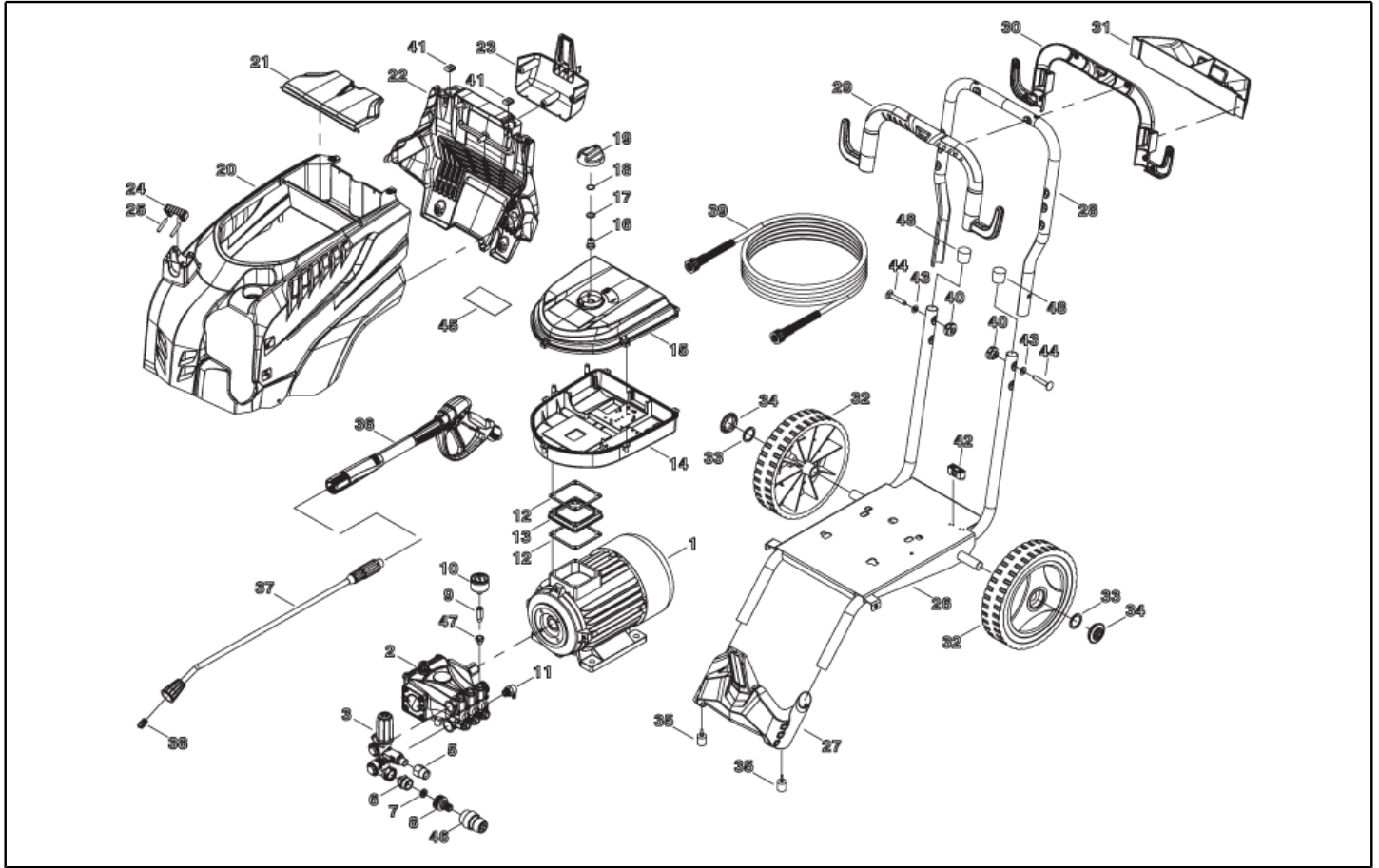
Spare parts list

Ref: IDAF40958

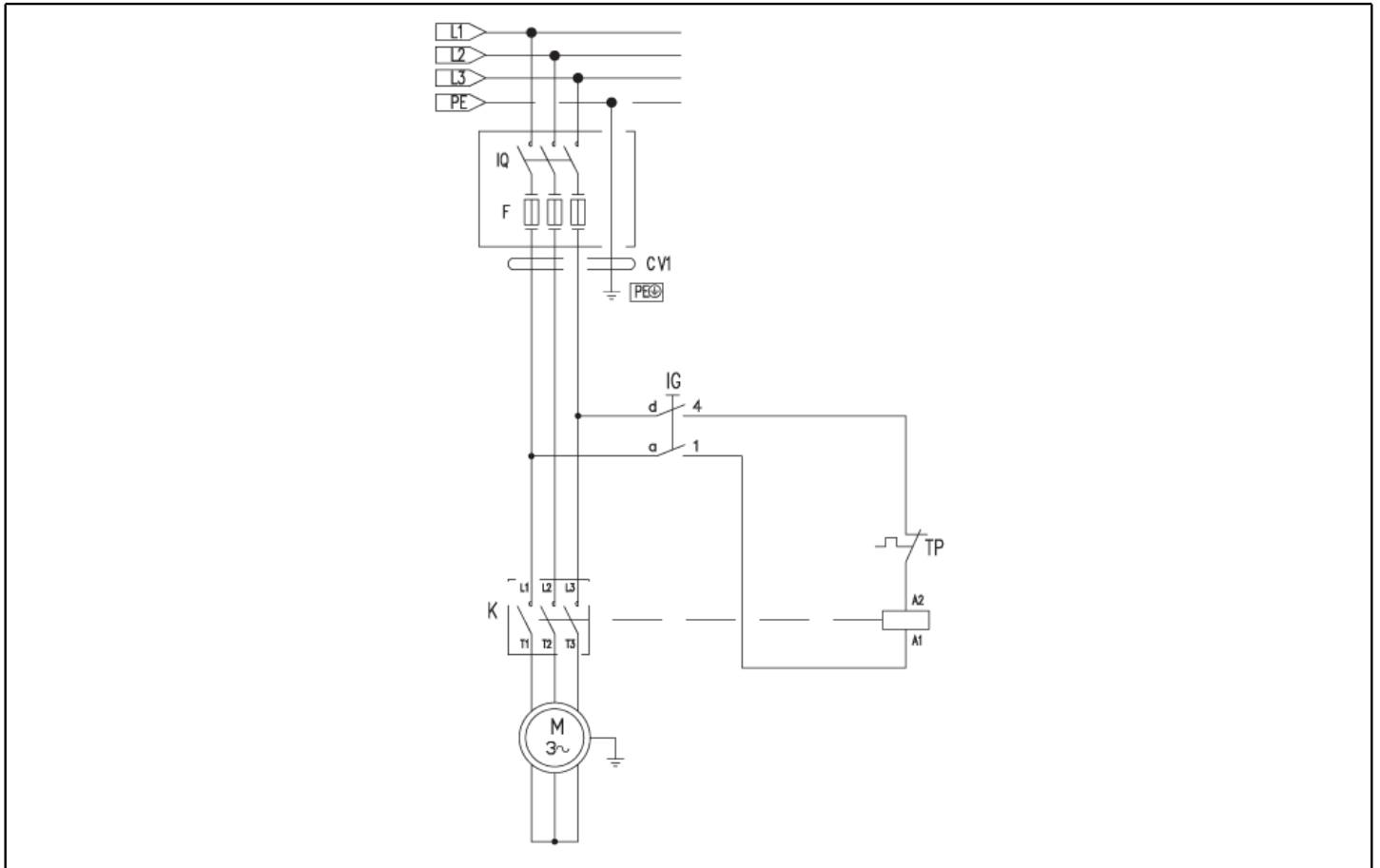
Model: IDROP ATOMAX-C 1813P T 400/50 3-01PRT



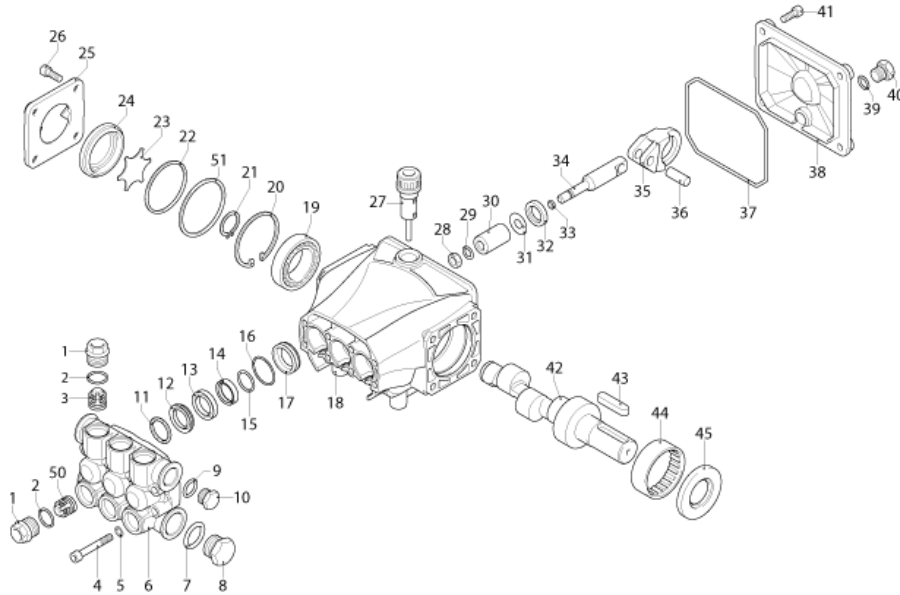
Ref. K	Part n.	Part n. 2	Description	Quantity	Validity		Price
					From	To	
0001	MOTR40077		MOTORE TR. C45/AC HP 5.5 2/4-50 2P H90	1,00			--
0002	PPAP40056		POMPA AR RCS 13.18 DX N.T.OTT.	1,00			--
0003	VVAZ40069		VALVOLA AZZERAM. AR VRZ-RC SI	1,00			--
0005	RCIN03753	00003753	INNESTO A VITE MASCHIO FILET.M22-3/8 M-F	1,00			--
0006	RCDS87610	00087610	NIPPLIO 3/4 - 1/2 CALIB. D.13 OTT.	1,00			--
0007	FTDT12702	00012702	FILTRO DET. IN RETE VB 130AF PA28002422	1,00			--
0008	RCVR29600	00029600	PRESA RUBINETTO M.FIL. 3/4 F PTC1250002	1,00			--
0009	RCDS40273		COLONNETTA M-F 1/8 L=42 MM OTT.	1,00			--
0010	MNMN93800		MANOMETRO 1/8 POST. 0-300 D.40 S/ST. S2	1,00			--
0011	VVSC40550	00040550	VALVOLA TERMOSTATICA 1/2" 56°C	1,00			--
0012	GUGO10881	00010881	GUARNIZIONE COPRIMORSETT. MOT.EL. 73X 73	2,00			--
0013	MPVR40927		DISTANZIALE CASS. C45 EME H.45.0 ABS	1,00			--
0014	MPVR40938		CASSETTA COMANDI PW-C45 P/H90 ABS NERO	1,00			--
0015	MPVR40908		COPERCHIO CASS.COMANDI PW-C45 ABS NERO	1,00			--
0016	MPVR23482	00023482	CODOLO DI UNIONE INTERRU. TEC. TUV	1,00			--
0017	GUGO25527	00025527	O-RING D. 14 X 3 - NBR -70SH	1,00			--
0018	VTRS40008		ROSETTA D. 3,2X 9 X0,8 PA66 NYLON	2,00			--
0019	MPVR49057	00049057	MANOPOLA REGOLAZIONE P176-M.RACE PA6 NRO	1,00			--
0020	MPVR40902		COPERTURA PW-C45 PPL ROSSO	1,00			--
0021	MPVR40906		SPORTELLO COPERTURA PW-C45 PPL NERO	1,00			--
0022	MPVR40904		PANNELLO POSTERIORE PW-C45 PPL NERO	1,00			--
0023	MPVR40909		VANO PORTAOGGETTI PW-C45 PP NERO	1,00			--
0024	MPVR40485		GOMMINO POSALANCIA PW-H35 15-20 DLX	1,00			--
0025	MPVR40534		PERNO POSALANCIA PW-H35 PP NERO	2,00			--
0026	LAFN40977		CARRELLO PW-C45 V.NERO	1,00			--
0027	MPVR40905		PIEDE APPOGGIO PW-C45 PP NERO	1,00			--
0028	LAFN40991		MANIGLIONE PW-C45/55 V.NERO	1,00			--
0029	MPVR40910		SEMIGUSCIO RIVEST.MANIGL.PW-C45 ANT.PP.N	1,00			--
0030	MPVR40911		SEMIGUSCIO RIVEST.MANIGL.PW-C45 PST.PP.N	1,00			--
0031	MPVR40915		VANO PORTAOGGETTI PW-C45 MANIGL. PP NERO	1,00			--
0032	RTRT40019		RUOTA LIBERA D.250-D.20X 58 RES NERA	2,00			--
0033	VTRS28558	00028558	ROSETTA D.20 FERMARUOTA	2,00			--
0034	MPVR40735		TAPPO COPRIRUOTA D. 50 G-48/IPC ROSSO	2,00			--
0035	MPVR60553	00060553	PIEDINO GOMMA 20X20 AQ EPDR50	2,00			--
0036	IPPR40020		IMPUGNATURA G 6000+PROL.330+M22 SW.M V	1,00			--
0037	LCPR40087		PROLUNGA P 70 - P20.IX700 M22 M -1/4F	1,00			--
0038	UGLN49987	00049987	UGELLO LANCIA LECH 1/4 15045	1,00			--
0039	TBAP25324	00025324	TUBO A.P. R1 MT 10 5/16" C/2 IRV F ZC+MN	1,00			--
0040	VTVR40062		VOLANTINO F 8MA THF40 +TAPPO	2,00			--
0041	VTVR40064		PIASTRINA DOPPIA IMBUTITA M 5 SP.1.5 BR	2,00			--
0042	MEVR20906	00020906	FERMACAVO PLASTICA KOSMIC	1,00			--
0043	VTRS00504	00000504	ROSETTA D. 8 TE PIANA Z. UNI6592	2,00			--
0044	VTVT40070		VITE M 8X 50 TTQST Z.NE.UNI 5731	2,00			--
0045	ETET41262		ETICHETTA COPRIFORI LED PW-C45 POLIC	1,00			--



Ref. K	Part n.	Part n. 2	Description	Quantity	Validity		Price
					From	To	
0046	RCVR29602	00029602	RACCORDO PORTAGOMMA 1/2"-5/8" PTC1250005	1,00			--
0047	PVVR40183		TAPPO POMPA RC C/FORO 1/8F+OR AR42637	1,00			--
0048	MPVR01696	00001696	PUNTALE D.25 PLASTICA 1.02.107	2,00			--



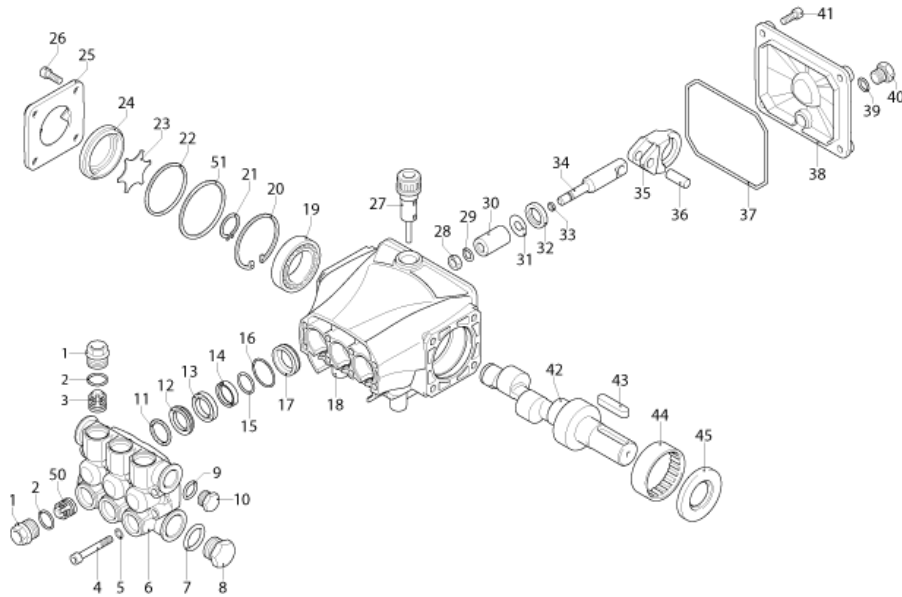
Ref. K	Part n.	Part n. 2	Description	Quantity	Validity		Price
					From	To	
K	METT40053		TELER. CHINT NC8-12M10 400V 50/60	1,00			--
IG	MECI40033		INTERRUT. GTK BIP. 0-1 16(8)A 4802BX	1,00			--
CV1	MECB40002		CAVO CABLATO N°397 4X1.5 NP L=650	1,00			--



Ref. K	Part n.	Part n. 2	Description	Quantity	Validity		Price
					From	To	
0001	PVVR40120		TAPPO POMPA RC AR3200110	6,00			--
0002	GUGO03505	00003505	O-RING D. 15.6 X 1.78 - NBR -70SH	6,00			--
0003	S VVAM40002		GRUPPO VALVOLA RC AR2769050	6,00		31/07/2012	--
0003	S VVAM40002		GRUPPO VALVOLA RC AR2769050	3,00	01/08/2012		--
0004	VTVT06236	00006236	VITE TCEI M 6X40 ZINC. UNI 5931	8,00			--
0005	VTRS01077	00001077	ROSETTA D. 6,4X10X0,7 SCHNORR UNI7064	8,00			--
0006	MFVR40026		TESTATA POMPA RCS OTTONE AR3200100	1,00			--
0007	GUGO19245	00019245	O-RING D. 17.5 X 2 - NBR -70SH	1,00			--
0008	PVVR40121		TAPPO 1/2 M POMPA RC AR 820361	1,00			--
0009	GUGO09720	00009720	O-RING D. 14 X 1.78 - NBR -70SH	1,00			--
0010	PVVR40099		TAPPO 3/8 M POMPA HRM AR1980740	1,00			--
0011	S PVVR40158		ANELLO DI TESTA RCS D. 15 AR2760220	3,00			--
0012	S GUVR40028		ANELLO DI TENUTA D. 15 XJS AR1342761	3,00			--
0013	PVVR40159		ANELLO INTERMEDIO D.15 RCS AR3200160	3,00			--
0014	S GUVR40041		ANELLO DI TENUTA D.15 RCS L.P. AR3200690	3,00			--
0015	S GUVR40042		ANELLO ANTIEST. D.15 AR3200700	3,00			--
0016	S GUGO08182	00008182	O-RING D. 21.91 X 1.78 - NBR -70SH	3,00			--
0017	PVVR40160		ANELLO DI FONDO D. 15 RCS AR3200150	3,00			--
0018	MFVR40027		CARTER POMPA AR RCS AR3201400	1,00			--
0019	CUVR28336	00028336	CUSCINETTO A SFERE 6304	1,00			--
0020	VTAE09661	00009661	ANELLO ELASTICO X FORO D. 52 UNI 7437	1,00			--
0021	VTAE06193	00006193	ANELLO ELASTICO X ALBERO D. 20 UNI 7435	1,00			--
0022	GUGO02561	00002561	O-RING D. 47.3 X 2.62 - NBR -70SH	1,00			--
0023	PVVR40125		DISCO POMPA RC AR3200090	1,00			--
0024	PVVR40126		SPIA OLIO RC AR3200080	1,00			--
0025	MFVR40021		COPERCHIO CARTER AR RC LAT. AR3200070	1,00			--
0026	VTVT01531	00001531	VITE TE M 6X 16 ZINC. UNI 5739	8,00			--
0027	PVVR19231	00019231	TAPPO CARICO OLIO POMPA XTS AR 880130	1,00		31/03/2014	--
0027	PVVR40436		TAPPO CARICO OLIO POMPA RC AR3201890	1,00	01/04/2014		--
0028	VTDD00483	00000483	DADO M 8 ZINC. UNI5588 P.GROS ACCIAIO	3,00			--
0029	VTRS19394	00019394	ROSETTA D. 8X13X0,5 RAME AR1260100	3,00			--
0030	S PIVR19232	00019232	PISTONE D.15 POMPA XTS AR1260120	3,00			--
0031	PVVR19233	00019233	DISCO APPOGGIO PISTONE XTS AR1260091	3,00			--
0032	S GUGO09690	00009690	ANELLO RADIALE 15X 24X 5-L.CM -NBR70	3,00			--
0033	GUGO08071	00008071	O-RING D. 4.48 X 1.78 - NBR -70SH	3,00			--
0034	PVVR40127		GUIDA PISTONE RC AR3200060	3,00			--
0035	BLVR40001		BIELLA COMPLETA RC AR3200040	3,00			--
0036	PVVR40128		SPINOTTO D. 9X23 RC AR1780050	3,00			--
0037	GUGO18695	00018695	O-RING D. 101.27 X 2.62 - NBR -70SH	1,00			--
0038	MFVR40022		COPERCHIO CARTER AR RC AR3200030	1,00			--
0039	GUGO01036	00001036	O-RING D. 10.82 X 1.78 - NBR -70SH	1,00			--
0040	PVVR40129		TAPPO 1/4 M POMPA RC AR 880581	1,00			--
0041	VTVT09913	00009913	VITE TCEI M 6X16 ZINC. UNI 5931	4,00			--
0042	ALMO40010		ALBERO POMPA RCS 13 LT VERS. N AR3200310	1,00			--



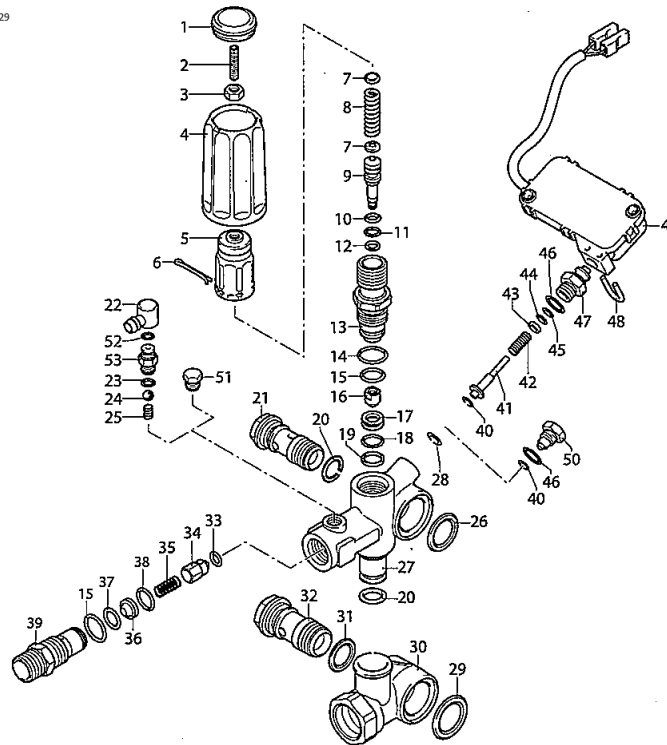
Ref. K	Part n.	Part n. 2	Description	Quantity	Validity		Price
					From	To	
0043	VTVR41531	00041531	LINGUETTA AD INCASTRO 8X 7X35 UNI 6604A	1,00			--
0044	CUVR23636	00023636	CUSCINETTO A RULLINI HK 4516 AR1321190	1,00			--
0045	S GUGO00999	00000999	ANELLO RADIALE 25X 52X 7-L,CM -NBR70	1,00			--
0050	S VVAM40007		GRUPPO VALVOLA RC ASP.NERA AR3209051	3,00	01/08/2012		--
0051	PVVR40437		ANELLO D. 51.8 X0.5 AR3201860	1,00	01/04/2014		--



Ref. Part n.	Cust. part n.	Description	Reference	Price
KTRI40092		KIT P 15-42896 GRUPPO VALVOLA RC AR	0003	--
KTRI40096		KIT P 15-42918 ANELLI RADIALI RC AR	0032 0045	--
KTRI40139		KIT P 15-42920 PISTONI D.15 RCS AR	0030	--
KTRI40140		KIT P 15-42921 ANELLI DI TENUTA D.15 RCS	0012 0014 0015 0016	--
KTRI40141		KIT P 15-42897 AN. DI TESTA D.15 RCS AR	0011	--
KTRI40207		KIT P 15-42914 GRUPPO VALVOLA RC 3+3AM A	0003 0003	--

VRZ TSS + ID

KIT F = pos. 10 11 14 15 18 19 20 23 28 29
31 33 37 38 40 44 45 46

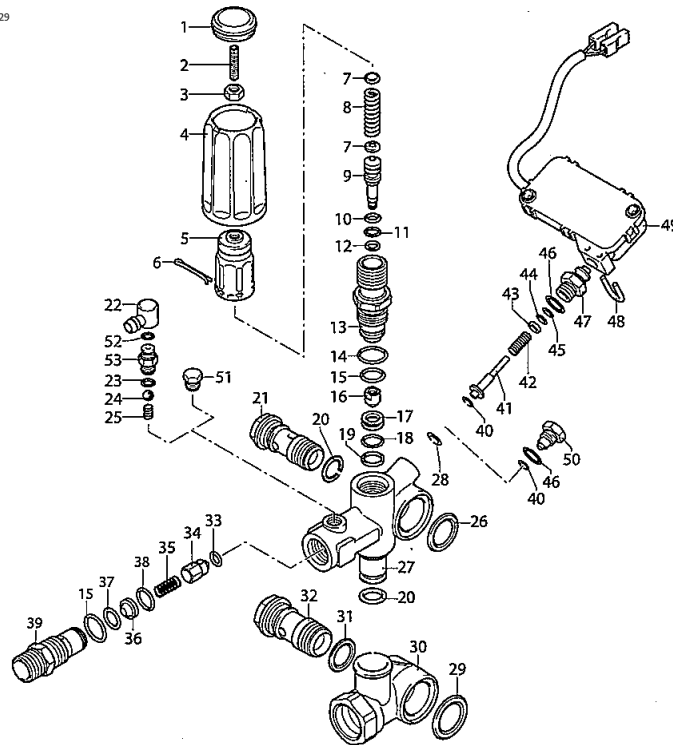


UN_00_4104-FR

Ref. K	Part n.	Part n. 2	Description	Quantity	Validity		Price
					From	To	
0001	PVVR40241		TAPPO VRC-BM AR3200500	1,00			--
0002	VTVT40051		VITE M 6X 25 STEI AR2840970	1,00			--
0003	PVVR40292		DADO S.610 AR1060120	1,00			--
0004	PVVR40418		MANOPOLA VALVOLA VRZ AR3740030	1,00			--
0005	PVVR40236		INSERTO MANOPOLA M.MT/4B TTS AR2500540	1,00			--
0006	VTVR40025		COPIGLIA D. 2,6X15 A UNI 1336 AR2500550	1,00			--
0007	PVVR40067		PIATTELLO MOLLA XJS AR1980220	2,00			--
0008	PVVR40419		MOLLA VALVOLA VRZ AR2760410	1,00			--
0009	PVVR40420		PISTONE VALVOLA VRZ AR2760400	1,00			--
0010	S GUGO40046		O-RING D. 6.02 X 2.62 - NBR -90SH	1,00			--
0011	S GUGO12489	00012489	O-RING D. 6.07 X 1.78 - NBR -70SH	1,00			--
0012	GUVR40072		ANELLO ANTIEST. D. 6.5X 9.4 A00011003	1,00			--
0013	PVVR40421		GUIDA PISTONE VALVOLA VRZ AR2760570	1,00			--
0014	S GUGO03505	00003505	O-RING D. 15.6 X 1.78 - NBR -70SH	1,00			--
0015	S GUGO11652	00011652	O-RING D. 12.42 X 1.78 - NBR -70SH	2,00			--
0016	PVVR40423		OTTURATORE VALVOLA VRZ AR2260070	1,00			--
0017	PVVR40424		SEDE VALVOLA VRZ AR2760980	1,00			--
0018	S GUGO19194	00019194	O-RING D. 11.11 X 1.78 - NBR -70SH	1,00			--
0019	S GUVR40085		ANELLO ANTIEST. D. 14 X11,8X1 AR2760640	1,00			--
0020	S GUGO01047	00001047	O-RING D. 11.91 X 2.62 - NBR -70SH	2,00			--
0021	RCDS40068		VITE CAVA 3/8 M.MATIC 4/B OT AR1540272	1,00			--
0026	GUGO40057		O-RING D. 20.29 X 2.62 - NBR -70SH	1,00			--
0027	PVVR40427		CORPO VALVOLA VRZ AR3740010	1,00			--
0028	S GUGO40031		O-RING D. 3.39 X 1.78 - NBR -70SH	1,00			--
0029	S GUGO76542	00076542	O-RING D. 23.47 X 2.62 - NBR -70SH	1,00			--
0030	PVVR40428		CORPO BY-PASS VALVOLA VRZ AR3740020	1,00			--
0031	S GUGO01058	00001058	O-RING D. 17.17 X 1.78 - NBR -70SH	1,00			--
0032	RCDS40070		VITE CAVA 1/2 M.MATIC 4/B AR2260420	1,00			--
0033	S GUGO12494	00012494	O-RING D. 4 X 2.5 - NBR -70SH	1,00			--
0034	PVVR40422		OTTURATORE VALVOLA VRZ AR2760131	1,00			--
0035	PVVR40252		MOLLA X VRC-BM AR2760200	1,00			--
0039	RCDS40192		NIPPLIO G 3/8 VRZ AR3201140	1,00			--
0040	S GUVR40084		ANELLO ANTIEST. PARBAK 8-007 AR2260480	1,00			--
0041	PVVR40425		ASTA PISTONCINO TSS VRZ AR2260470	1,00			--
0046	S GUGO06988	00006988	O-RING D. 7.66 X 1.78 - NBR -70SH	1,00			--
0050	PVVR40434		TAPPO VALVOLA VRZ AR3740100	1,00			--
0051	RCDS19214	00019214	TAPPO 1/8" M OTTONE AR 620301	1,00			--

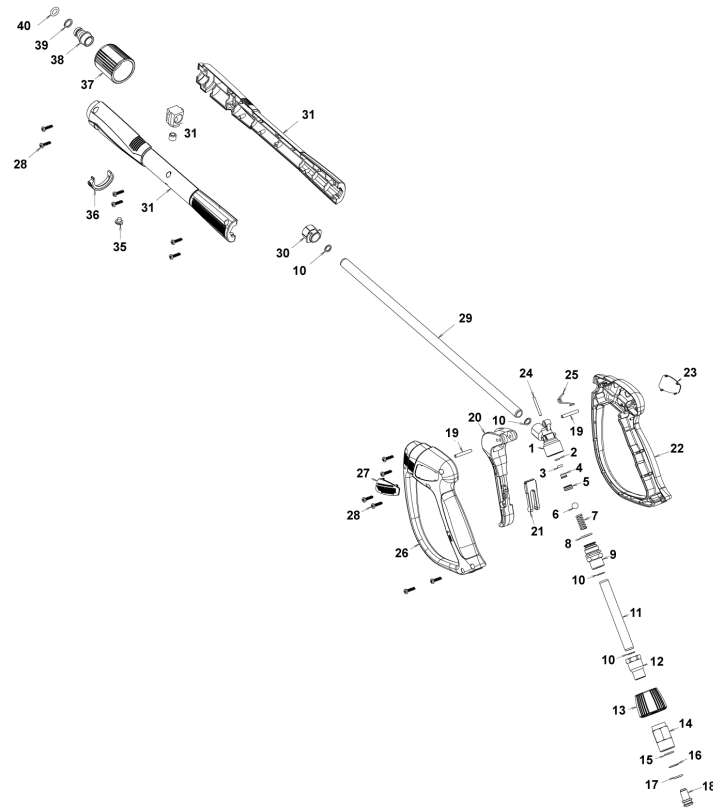
VRZ TSS + ID

KIT F = pos. 10 11 14 15 18 19 20 23 28 29
31 33 37 38 40 44 45 46



UN_00_4104-FR

Ref. Part n.	Cust. part n.	Description	Reference	Price
F	KTRI40293	KIT P 14-43124 SET O-RING VALVOLA VRZ AR	0010 0011 0014 0015 0018 0019 0020 0023 0028 0029 0031 0033 0037 0038 0040 0044 0045 0046	--



Ref. K	Part n.	Part n. 2	Description	Quantity	Validity		Price
					From	To	
0001	PVVR40381		CORPO PISTOLA G5100 G1/4F C00015001	1,00			--
0002	S	GUVR40074	ANELLO ANTIEST. D. 3 X 7.4X1.3 000117	1,00			--
0003	S	GUGO21835	00021835	O-RING D. 2.84 X 2.62 - VITON -70SH	1,00		--
0004	PVVR40382		GUIDA PISTONCINO G5100 0106710610	1,00			--
0005	S	PVVR40112	SEDE SFERA G5000 MV0106200140	1,00			--
0006	S	SFVR40002	SFERA D.11/32" ALLUMINIA GR16 0112700000	1,00			--
0007	MLML40016		MOLLA D. 9.4 X21.5X1.6 MV0107720030	1,00			--
0008	GUGO12322	00012322	O-RING D. 14 X 1.78 - NBR -90SH	1,00			--
0009	PVVR40383		RACCORDO COLLEG. G5100 1/4F R00000144	1,00			--
0010	VTRS40017		ROSETTA D. 8.2X11.4X1.00 0117760000	4,00			--
0011	PVVR40384		TUBO ENT. G 1/4" L.105 T00303011	1,00			--
0012	RCIN40022		RACCORDO SWIVEL G5100 1/4F R00000145	1,00			--
0013	MPVR40819		GHIERA BLOCC.SWIVEL G5100 NE. M017C0004	1,00			--
0014	RCIN40021		INNESTO SWIVEL G 5100 M22 0115711790	1,00			--
0015	S	GUVR40075	ANELLO ANTIEST. D.10 X14X1.5 0117740740	1,00			--
0016	S	GUVR40076	ANELLO ANTIEST. D.11.2X14X1.2 0117740120	1,00			--
0017	S	GUGO15295	00015295	O-RING D. 10.82 X 1.78 - VITON -75SH	1,00		--
0018	PVVR40386		VITE FISS. SWIVEL G 5100 0116720200	1,00			--
0019	VTVR40047		SPINA CILINDRICA 4X29 INOX 0118730010	2,00			--
0020	MPVR40820		GRILLETTO PISTOLA G6000-SW L000C0002	1,00			--
0021	MPVR40821		SICURA GRILLETTO G 6000-SW 0100740520	1,00			--
0022	MPVR40822		GUSCIO IMPUGNATURA G6000-SW DX S023C0010	1,00			--
0023	MPVR40823		TARGHETTA IDENTIF. G6000 GR.DX T002C0028	1,00			--
0024	PVVR40387		PISTONCINO IMP. G5100 0104720210	1,00			--
0025	MLML40029		MOLLA PULSANTE G 5100 0107720730	1,00			--
0026	MPVR40824		GUSCIO IMPUGNATURA G6000-SW SX S023C0011	1,00			--
0027	MPVR40825		TARGHETTA IDENTIF. G6000 GR.SX T002C0027	1,00			--
0028	VTVT40043		VITE AUTOFIL TCB T-CROCE 4 X14 HILO ZN.N	12,00			--
0029	LCPR40086		TUBO 1/4 ZINC. L=420 0° 0113770690	1,00			--
0030	MPVR40493		RACCORDO IMPUGNATURA G5100 0115740110	1,00			--
0031	MPVR40494		PROTEZIONE LANCIA P420 C/AN. P00600031	1,00			--
0035	MPVR40198		TAPPO PROT.GRANO G5000 MV0103740140	1,00			--
0036	MPVR40495		TAPPO REMOV.PROT.LANCIA G51 0103740120	1,00			--
0037	PVVR40119		GIRELLO M22X1,5 IRV G5000 MV0119000570	1,00			--
0038	RCIN40009		SPINOTTO G 1/4 F IRV G5000 MV0121710420	1,00			--
0039	GUVR40034		ANELLO ANTIEST. D.10 X14 MV0117740760	1,00			--
0040	GUGO01946	00001946	O-RING D. 9.13 X 2.62 - VITON -70SH	1,00			--



Ref. Part n.	Cust. part n.	Description	Reference	Price
KTRI40243		KIT P 26- 26 SWIVEL G 5100	0015 0016 0017	--
KTRI40414		KIT P 26- 34 IMPUGNATURA G 6000	0002 0003 0005 0006	--