

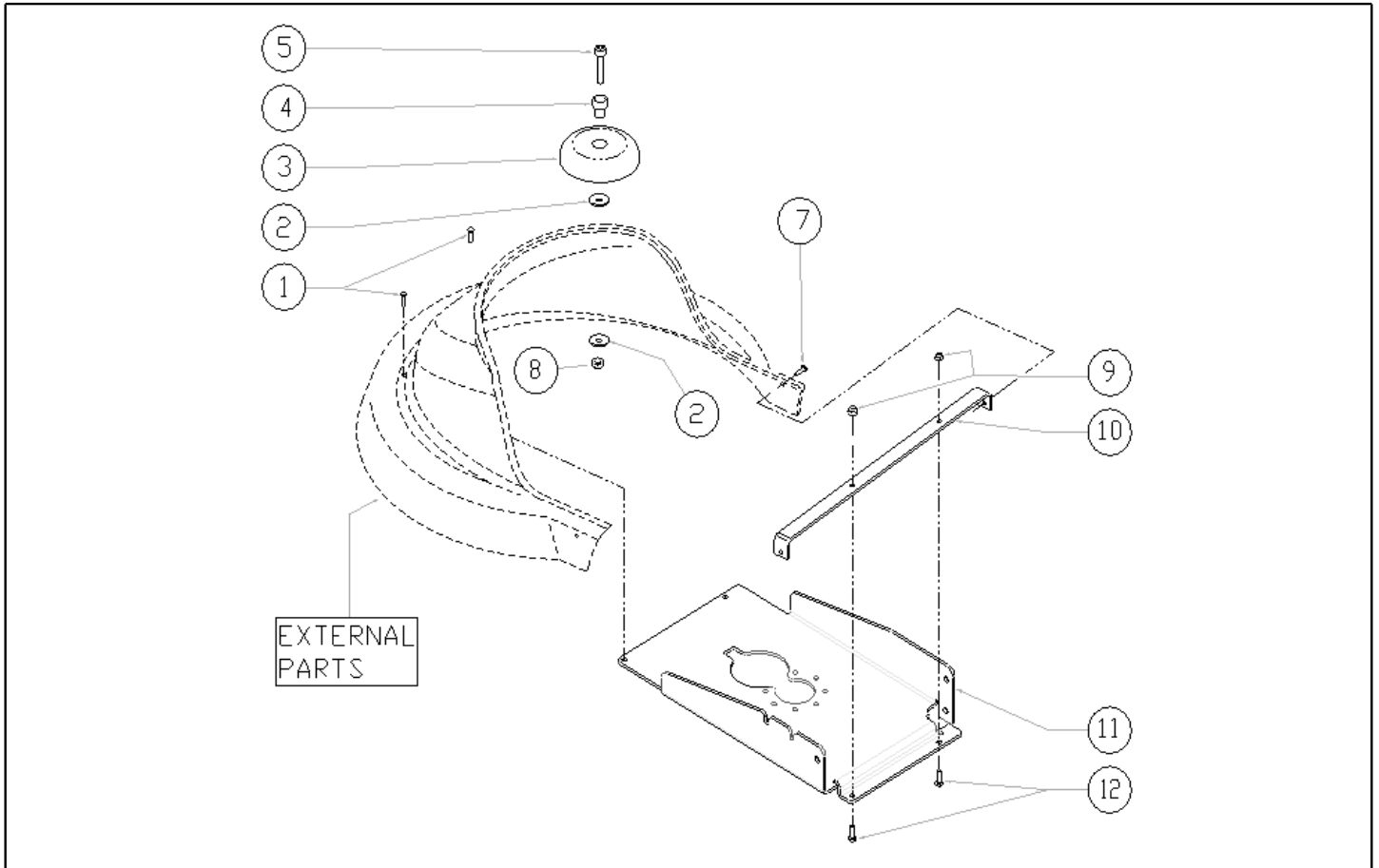


IPC

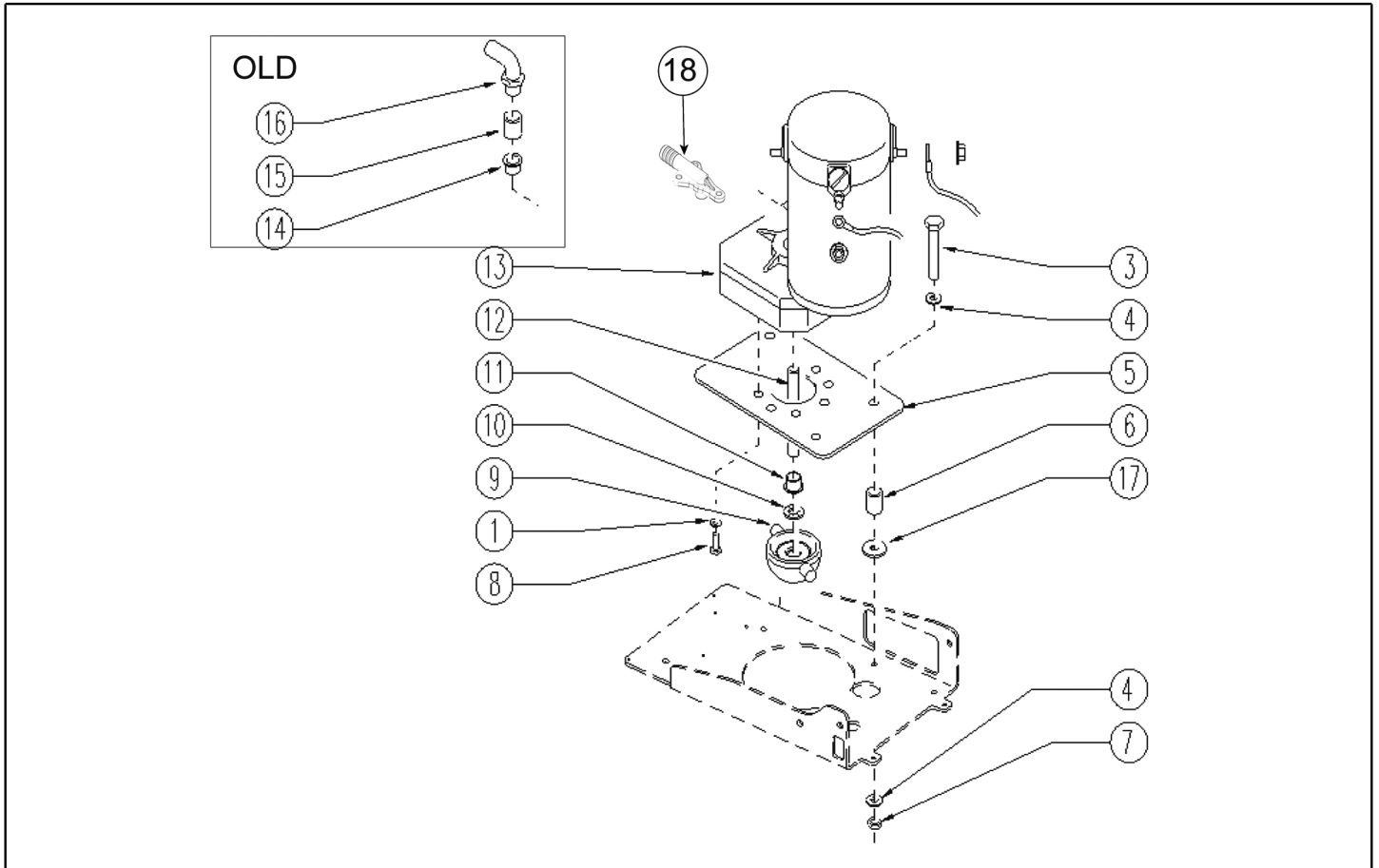
Spare parts list

Ref: LPTB01549

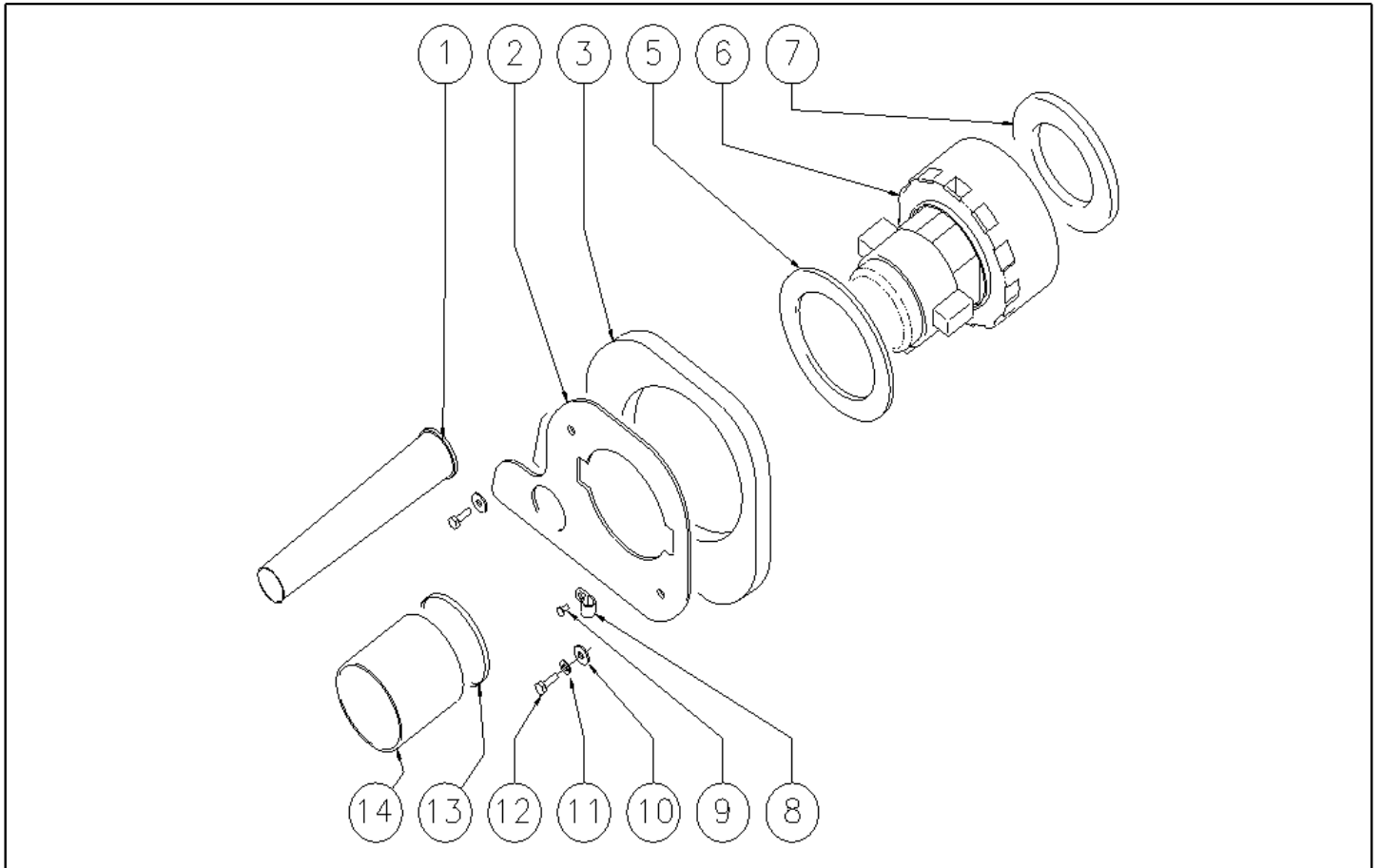
Model: FLOOR WASHER LAV. 70BT55 PRT



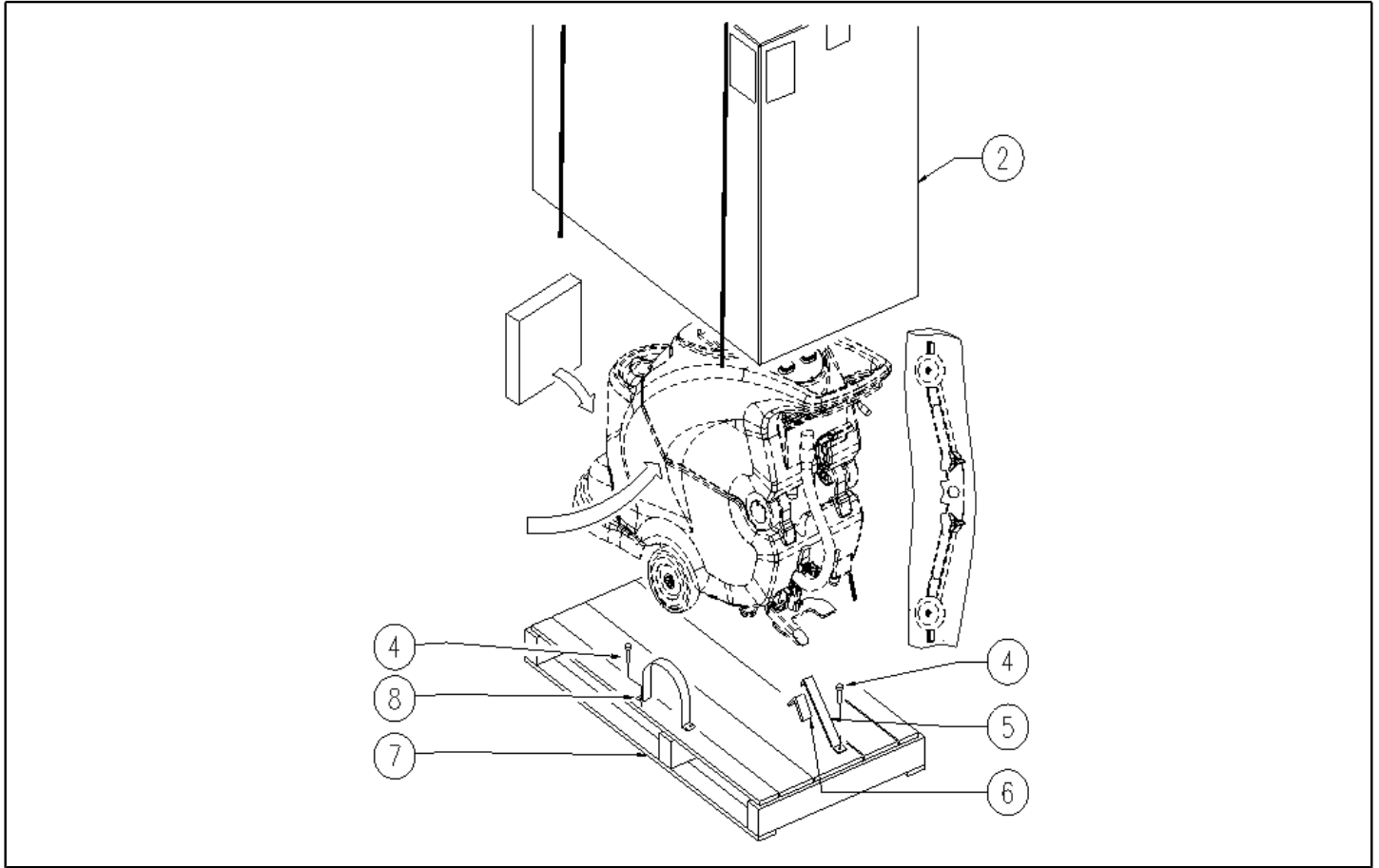
| Ref. K | Part n. | Part n. 2 | Description | Quantity | Validity | | Price |
|--------|-----------|-----------|----------------------------------|----------|------------|------------|-------|
| | | | | | From | To | |
| 0001 | VTVT00659 | | SCREW TC+ M. 4-15 | 2,00 | | 14/02/2010 | -- |
| 0001 | VTVT01366 | | SCREW M4X16 | 2,00 | 15/02/2010 | 07/04/2016 | -- |
| 0001 | VTVT01004 | | SCREW TC+ M4 X 10 TRILOBATA | 2,00 | 08/04/2016 | | -- |
| 0002 | VTRS13946 | | WASHER D. 8 X24 INX UNI 6593 | 2,00 | | | -- |
| 0003 | MPVR05290 | | ROLLER SIDE BUMPER WHEEL | 1,00 | | | -- |
| 0004 | LAFN03915 | | BUSHING NUOVO RUOTINO STRONG | 1,00 | | | -- |
| 0005 | VTVT17349 | | SCREW TCEI M 8X30 | 1,00 | | 16/06/2009 | -- |
| 0005 | VTVT00822 | | SCREW TCEI M 8-30 | 1,00 | 17/06/2009 | | -- |
| 0007 | VTVT01366 | | SCREW M4X16 | 2,00 | | | -- |
| 0008 | VTDD01695 | | NUT M 8 INX | 1,00 | | | -- |
| 0009 | VTDD15518 | | NUT M 6 INX | 2,00 | | | -- |
| 0010 | LAFN05899 | | SUPPORT BRACKET CARTER 1 EXTREME | 1,00 | | | -- |
| 0011 | LAFN07373 | | PLATE RIDUTTORE | 1,00 | | | -- |
| 0012 | VTVT15143 | | SCREW TE 6X16 UNI5739 | 2,00 | | | -- |



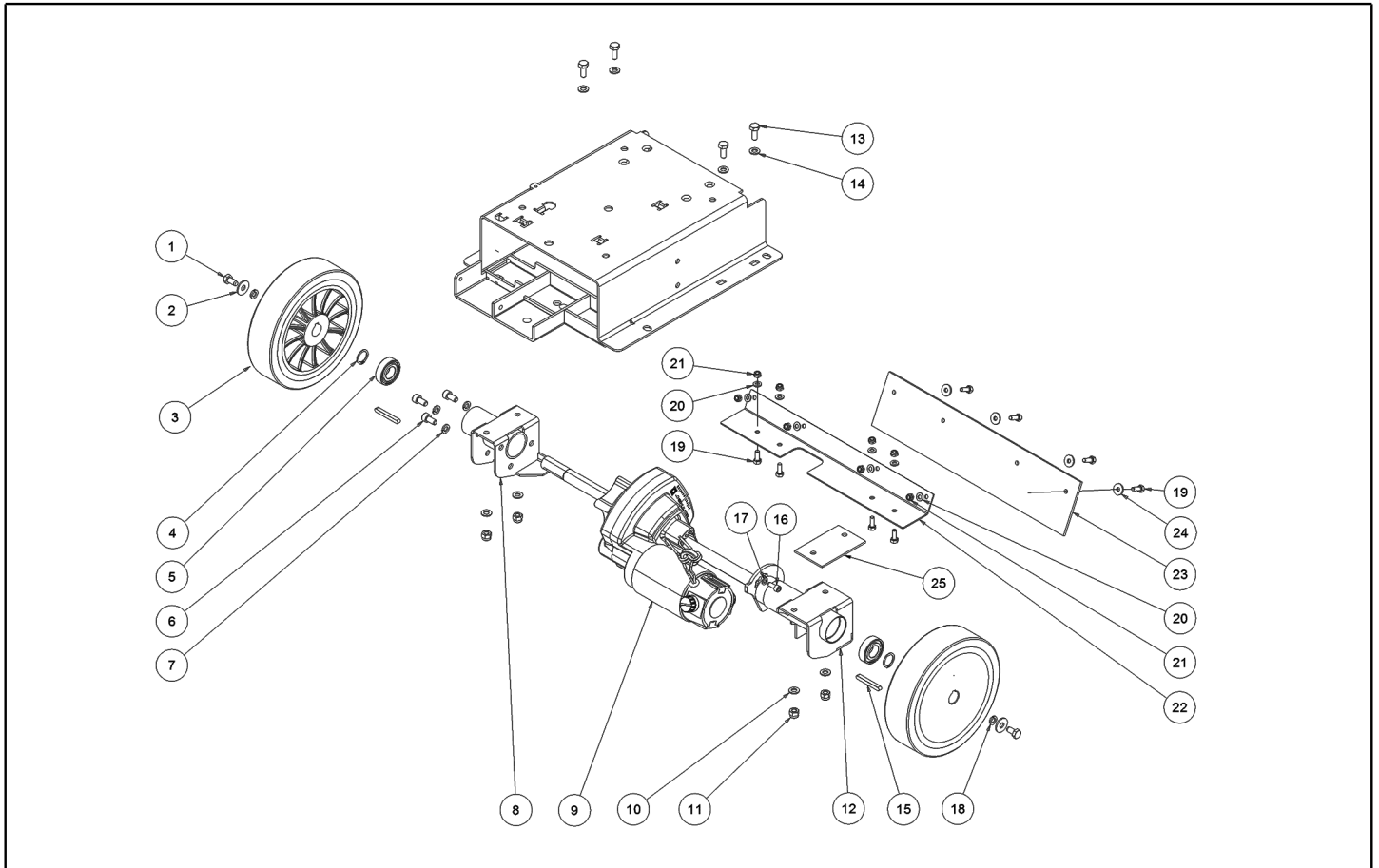
| Ref. K | Part n. | Part n. 2 | Description | Quantity | Validity | | Price |
|--------|-----------|-----------|-----------------------------------|----------|------------|------------|-------|
| | | | | | From | To | |
| 0001 | VTRS15144 | | WASHER D. 6 INX GRW UNI 1751 | 8,00 | | | -- |
| 0003 | VTVT13937 | | SCREW TE M 8X 30 INX UNI 5739 | 4,00 | | 01/03/2008 | -- |
| 0004 | VTRS13947 | | WASHER D. 8 INX UNI 6592 | 4,00 | | 01/03/2008 | -- |
| 0005 | LAFN05920 | | FLANGE RIDUTTORE | 1,00 | | 01/03/2008 | -- |
| 0006 | RCDS34717 | | BUSHING D. 9X12X 8.3 | 4,00 | | 01/03/2008 | -- |
| 0007 | VTDD01695 | | NUT M 8 INX | 4,00 | | 01/03/2008 | -- |
| 0008 | VTVT15906 | | SCREW TE 6X 12 A2 UNI 5739 | 8,00 | | | -- |
| 0009 | MFVR00134 | | DRIVE DISK ALUMINIUM S.B. | 1,00 | | | -- |
| 0010 | MPVR02997 | | CLIP ANELLO X PERNO D10 | 1,00 | | 18/05/2009 | -- |
| 0010 | VTVR00416 | | HANDWHEEL M 6MAX110 D.35 | 1,00 | 19/05/2009 | | -- |
| 0011 | CUVR43254 | | BUSHING CB 85 1010 18T | 1,00 | | 24/07/2013 | -- |
| 0012 | LAFN04202 | | HOSE SOLUZIONE INOX D10 | 1,00 | | 24/07/2013 | -- |
| 0013 | MOCC00298 | | MOTOR.GEARBOX MRP6 | 1,00 | | 11/02/2008 | -- |
| 0013 | MOCC00327 | | MOTOR GEARBOX 24V 550W | 1,00 | 12/02/2008 | 24/07/2013 | -- |
| 0013 | MOCC00344 | | CARBON BRUSH 00701535 | 4,00 | | | -- |
| 0013 | MOCC00405 | | MOTOR BRUSH 24V 155RPM 550W | 1,00 | 25/07/2013 | | -- |
| 0014 | CUVR43254 | | BUSHING CB 85 1010 18T | 1,00 | | 24/07/2013 | -- |
| 0015 | LAFN51028 | | BUSHING | 1,00 | | 24/07/2013 | -- |
| 0016 | RCVR45752 | | HOSE FITTING "L" 3/8M - D.10 PLS. | 1,00 | | 24/07/2013 | -- |
| 0017 | VTRS00241 | | WASHER D. 8-24 | 4,00 | | 01/03/2008 | -- |
| 0018 | RCDS00046 | | CONNECTOR - | 1,00 | 25/07/2013 | | -- |



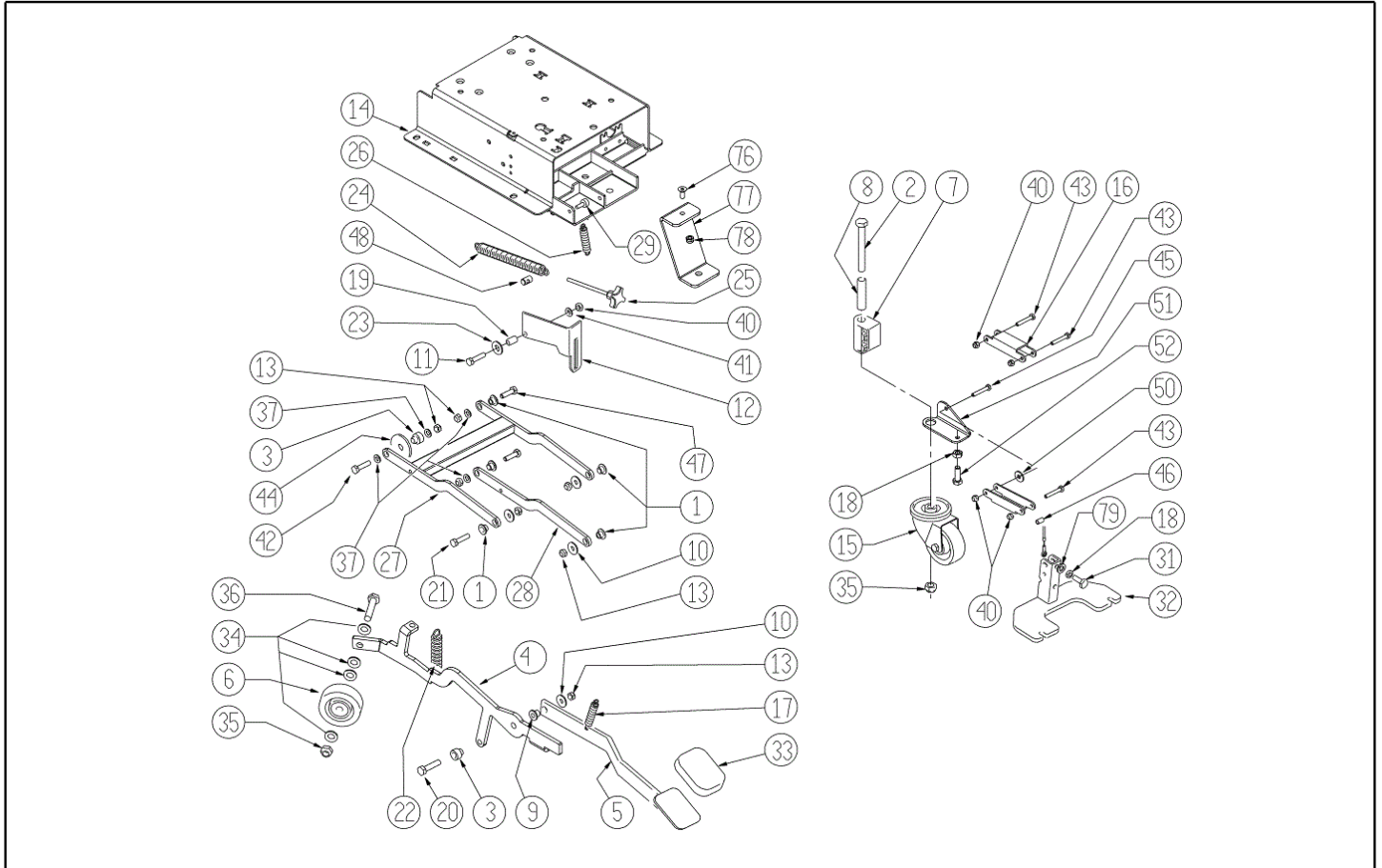
| Ref. K | Part n. | Part n. 2 | Description | Quantity | Validity | | Price |
|--------|-----------|-----------|-------------------------------|----------|------------|------------|-------|
| | | | | | From | To | |
| 0001 | TBFX00244 | | TUBE D 34 L200MM | 1,00 | | 14/06/2007 | -- |
| 0001 | MPVR05259 | | TUBE SCARICO | 1,00 | 15/06/2007 | | -- |
| 0002 | LAFN06363 | | FLANGE ASPIRATORE | 1,00 | | | -- |
| 0003 | MPVR05103 | | SOUND-PROOFING ASPIRATORE | 1,00 | | | -- |
| 0005 | MPVR04724 | | FLANGE IN NYLON | 1,00 | | | -- |
| 0006 | MOCC00253 | | MOTOR ASPIR.BIST.24V | 1,00 | | 04/11/2008 | -- |
| 0006 | MOCC00349 | | MOTOR VACUUM 2 STAGES 24V | 1,00 | 05/11/2008 | | -- |
| 0006 | MEVR05200 | | CARBON BRUSH VACUUM 116599-XX | 2,00 | | | -- |
| 0007 | GUGO00272 | | GASKET VACUUM MOTOR CT | 1,00 | | | -- |
| 0008 | FSVR00099 | | CLAMP FERMATUBO | 1,00 | | | -- |
| 0009 | VTVT00813 | | SCREW M 4X 8 TCB-TC UNI 8112 | 1,00 | | | -- |
| 0010 | VTRS13945 | | WASHER D. 6X18 INX UNI 6593 | 2,00 | | | -- |
| 0011 | VTRS15144 | | WASHER D. 6 INX GRW UNI 1751 | 2,00 | | | -- |
| 0012 | VTVT15143 | | SCREW TE 6X16 UNI5739 | 2,00 | | | -- |
| 0013 | FSVR00500 | | CLAMP 80-100 INOX | 1,00 | | 30/04/2007 | -- |
| 0013 | FSVR00118 | | CLAMP D.94 | 1,00 | 01/05/2007 | | -- |
| 0014 | TBFX00268 | | SUCTION HOSE D80 L=80MM | 1,00 | | 30/04/2007 | -- |
| 0014 | TBFX00312 | | TUBE ASPIRAZIONE | 1,00 | 01/05/2007 | | -- |



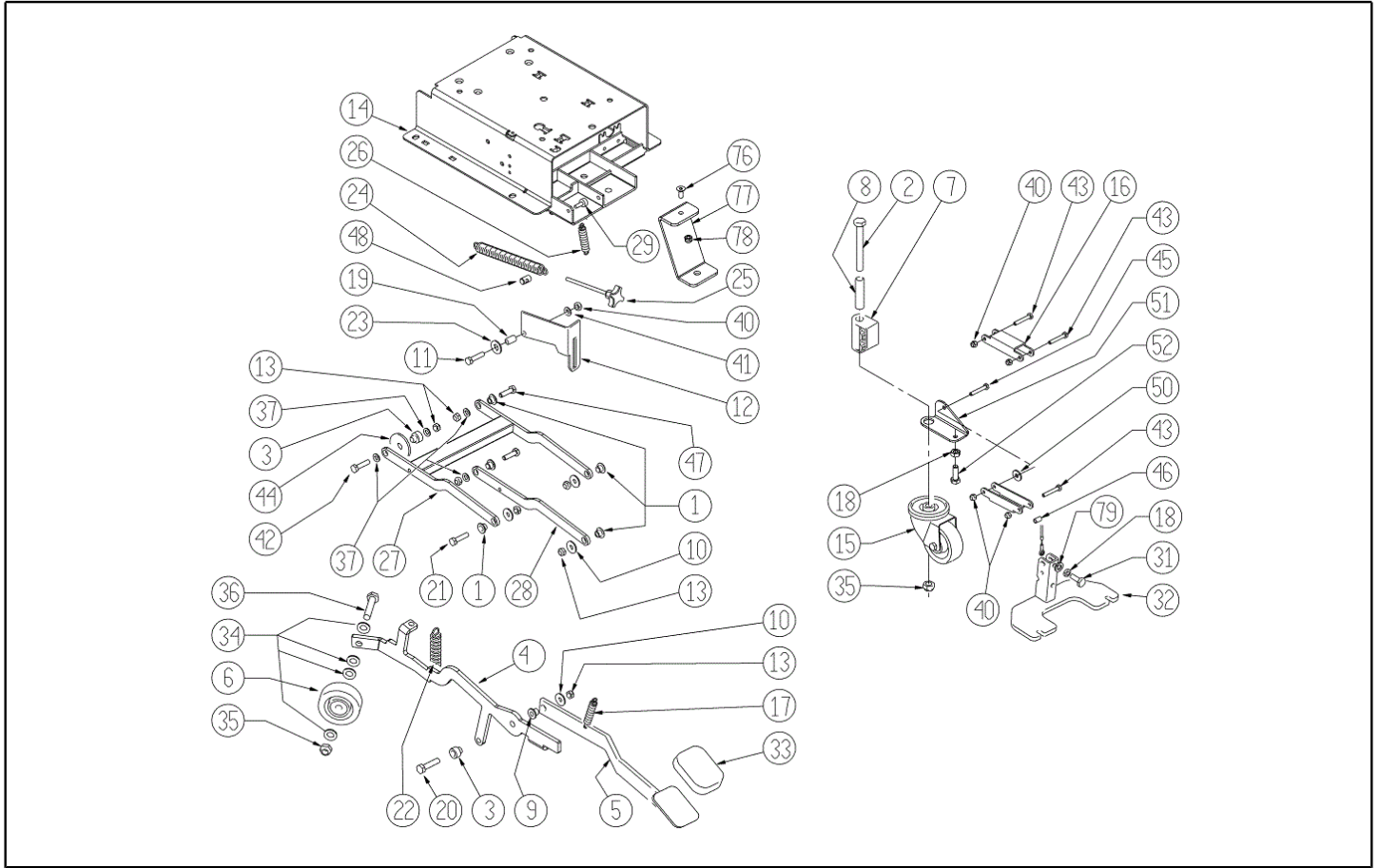
| Ref. K | Part n. | Part n. 2 | Description | Quantity | Validity | | Price |
|--------|-----------|-----------|---------------------------------|----------|----------|----|-------|
| | | | | | From | To | |
| 0002 | MICT00196 | | BOX | 1,00 | | | -- |
| 0004 | VTVT00043 | | SCREW AUTOF.LEGNO 4,5X25 TS BR | 9,00 | | | -- |
| 0005 | MIVR00137 | | CLAMP RUOTA POSTERIORE X IMBAL. | 1,00 | | | -- |
| 0006 | GUGO00009 | | MOUSSE | 0,05 | | | -- |
| 0007 | MIBA00054 | | PALLET Scrubber 40/62B/BF/A | 1,00 | | | -- |
| 0008 | MIVR00135 | | CLAMP RUOTA POSTERIORE X IMBAL. | 2,00 | | | -- |



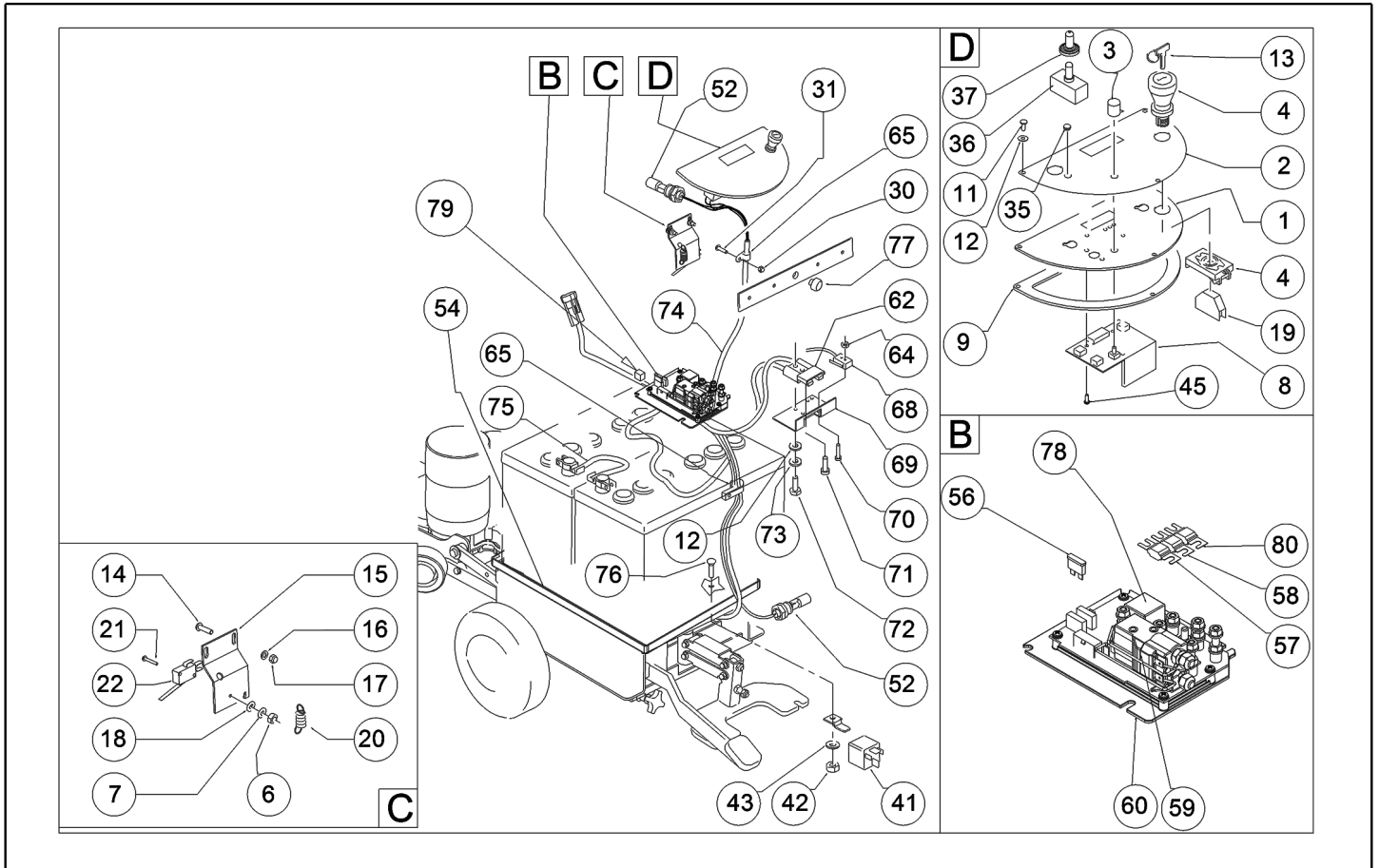
| Ref. K | Part n. | Part n. 2 | Description | Quantity | Validity | | Price |
|--------|-----------|-----------|--------------------------------|----------|------------|------------|-------|
| | | | | | From | To | |
| 0001 | VTVT15916 | | SCREW TE M 8X 16 UNI 5739 A2 | 2,00 | | | -- |
| 0002 | VTRS13946 | | WASHER D. 8 X24 INX UNI 6593 | 2,00 | | | -- |
| 0003 | RTRT00524 | | WHEEL - | 2,00 | | 17/05/2010 | -- |
| 0003 | RTRT00529 | | WHEEL D200 | 2,00 | 18/05/2010 | 17/06/2012 | -- |
| 0003 | RTRT00546 | | WHEEL D.200 | 2,00 | 18/06/2012 | | -- |
| 0004 | VTAE06193 | | CIRCLIP D. 20 UNI 7435 | 2,00 | | | -- |
| 0005 | CUVR19846 | | BALL BEARING 6004 2RS1 | 2,00 | | 21/09/2011 | -- |
| 0005 | CUVR00083 | | BEARING 6004 2RS H SKF | 2,00 | 22/09/2011 | 07/04/2013 | -- |
| 0005 | CUVR00190 | | BEARING 6004 2RS INOX | 2,00 | 08/04/2013 | | -- |
| 0006 | VTVT00876 | | SCREW TCEI M.8-16 | 3,00 | | | -- |
| 0007 | VTRS15146 | | WASHER GROVER A2 UNI1751 | 3,00 | | | -- |
| 0008 | LAFN07811 | | SUPPORT TRACTION MOTOR LH SIDE | 1,00 | | | -- |
| 0009 | MOCC00373 | | MOTOR - | 1,00 | | 13/10/2010 | -- |
| 0009 | MOCC0022 | | CARBON FOR MOCC86902-MOCC00395 | 2,00 | | | -- |
| 0009 | MOCC00395 | | MOTOR TRACTION 24V 200W 150G | 1,00 | 14/10/2010 | | -- |
| 0010 | VTRS13947 | | WASHER D. 8 INX UNI 6592 | 4,00 | | | -- |
| 0011 | VTDD01695 | | NUT M 8 INX | 4,00 | | | -- |
| 0012 | LAFN07813 | | SUPPORT TRACTION MOTOR RH SIDE | 1,00 | | | -- |
| 0013 | VTVT15916 | | SCREW TE M 8X 16 UNI 5739 A2 | 4,00 | | | -- |
| 0014 | VTRS13947 | | WASHER D. 8 INX UNI 6592 | 4,00 | | | -- |
| 0015 | VTVR33668 | | KEY 6x 6x40 UNI 6604A | 2,00 | | 17/06/2012 | -- |
| 0015 | VTVR00566 | | KEY 6X10X40 UNI 6604 A (H.10) | 2,00 | 18/06/2012 | | -- |
| 0016 | VTVT00717 | | SCREW TCEI M. 6-16 | 2,00 | | | -- |
| 0017 | VTRS15144 | | WASHER D. 6 INX GRW UNI 1751 | 2,00 | | | -- |
| 0018 | VTRS15144 | | WASHER D. 6 INX GRW UNI 1751 | 2,00 | | | -- |
| 0019 | VTVT15143 | | SCREW TE 6X16 UNI5739 | 8,00 | 23/07/2012 | | -- |
| 0020 | VTRS00245 | | WASHER D.6 UNI 6592 INOX | 8,00 | 23/07/2012 | | -- |
| 0021 | VTDD01694 | | NUT M6 INOX | 8,00 | 23/07/2012 | | -- |
| 0022 | LAFN07951 | | BRACKET CT40-90 | 1,00 | 23/07/2012 | | -- |
| 0023 | MPVR06230 | | FLAP CT40 CT70-90 | 1,00 | 23/07/2012 | 17/03/2014 | -- |
| 0023 | MPVR06966 | | FLAP - | 1,00 | 18/03/2014 | | -- |
| 0024 | VTRS13945 | | WASHER D. 6X18 INX UNI 6593 | 4,00 | 23/07/2012 | | -- |
| 0025 | MPVR10764 | | PROTECTION . | 1,00 | 13/06/2016 | | -- |



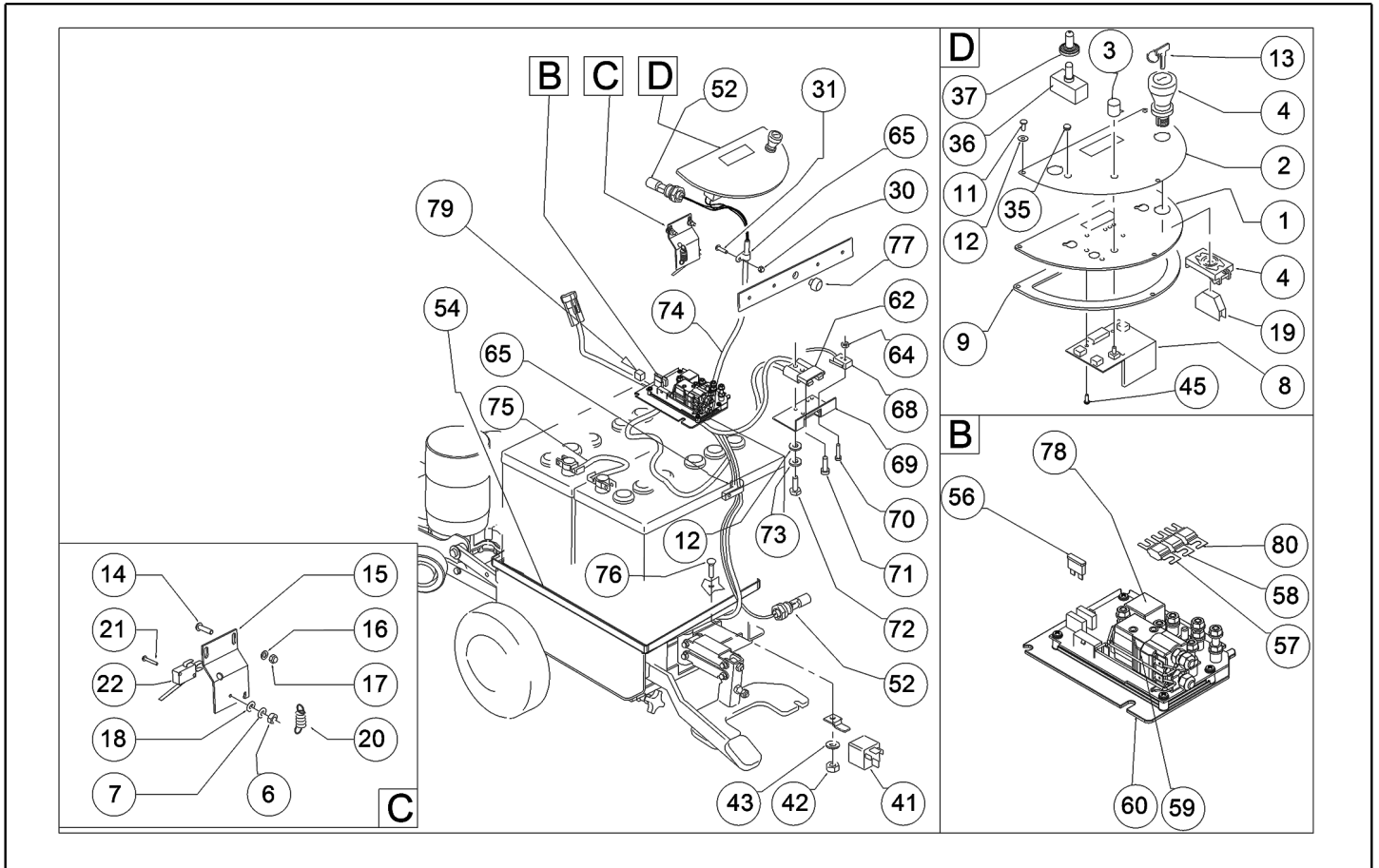
| Ref. K | Part n. | Part n. 2 | Description | Quantity | Validity | | Price |
|--------|-----------|-----------|---------------------------------|----------|------------|------------|-------|
| | | | | | From | To | |
| 0001 | LAFN06391 | | BUSHING BRUSH DECK SUPPORT | 5,00 | | | -- |
| 0002 | VTVT24212 | | SCREW TE M 12X100 UNI 5737 INOX | 1,00 | | | -- |
| 0003 | LAFN04190 | | BUSHING PARALLELOGR.TEST.GR. | 2,00 | | | -- |
| 0004 | LAFN07872 | | LEVER - | 1,00 | | | -- |
| 0005 | LAFN07602 | | LEVER - | 1,00 | | 30/06/2013 | -- |
| 0005 | LAFN09270 | | PEDAL BRUSH HEAD LIFTING | 1,00 | 01/07/2013 | | -- |
| 0006 | RTRT49171 | | CASTER D. 80-12 | 1,00 | | | -- |
| 0007 | MPVR04734 | | BLOCK TERGI | 1,00 | | | -- |
| 0008 | LAFN09006 | | PIN - | 1,00 | | | -- |
| 0009 | LAFN51068 | | BUSHING LEVA POSTER. | 1,00 | | | -- |
| 0010 | VTRS13946 | | WASHER D. 8 X24 INX UNI 6593 | 4,00 | | | -- |
| 0011 | VTVT00161 | | SCREW TE M6X20 | 1,00 | | 26/02/2019 | -- |
| 0011 | VTVT13939 | | SCREW TE 6X20 UNI5739 INX | 1,00 | 27/02/2019 | | -- |
| 0012 | LAFN10124 | | PLATE | 1,00 | | | -- |
| 0013 | VTDD01695 | | NUT M 8 INX | 7,00 | | | -- |
| 0014 | LAFN07293 | | BASE SERBATOIO | 1,00 | | | -- |
| 0015 | RTRT00518 | | WHEEL CASTOR D.80X30 | 1,00 | | 01/08/2012 | -- |
| 0015 | RTRT00395 | | WHEEL CASTOR D.80X25 PU | 1,00 | 02/08/2012 | | -- |
| 0016 | LAFN05853 | | LEVER ARM SOLLEVAMENTO TERGI | 2,00 | | | -- |
| 0017 | MLML34726 | | SPRING TR E350 N | 1,00 | | | -- |
| 0018 | VTDD15521 | | NUT M 8 INX A2 UNI 5588 | 1,00 | | | -- |
| 0019 | LAFN03840 | | BUSHING | 1,00 | | | -- |
| 0020 | VTVT15917 | | SCREW TE M 8X50 INOX A2 UNI | 1,00 | | | -- |
| 0021 | VTVT15907 | | SCREW TE 8X25 UNI5739 INX | 3,00 | | | -- |
| 0022 | MLML00313 | | SPRING - | 1,00 | | | -- |
| 0023 | VTRS00274 | | WASHER NYLON 66 D.8,4-17-2 UNI | 1,00 | | | -- |
| 0024 | MLML31130 | | SPRING D. 17.5 X110 N38 | 1,00 | | | -- |
| 0025 | VTVR35749 | | HANDWHEEL M 6MAX110 D.35 | 1,00 | | | -- |
| 0026 | MLML00303 | | SPRING L=54,1 D.=9,4 | 1,00 | | | -- |
| 0027 | LAFN06388 | | ARM TESTATA SUPERIORE | 1,00 | | | -- |
| 0028 | LAFN06389 | | ARM PARALLELOGRAMMA | 1,00 | | | -- |
| 0029 | VTVR35749 | | HANDWHEEL M 6MAX110 D.35 | 1,00 | | | -- |
| 0031 | VTVT00410 | | SCREW TE M8x35 UNI5739 INOX | 1,00 | | | -- |
| 0032 | LAFN07560 | | PLATE - | 1,00 | | | -- |
| 0033 | MPVR05186 | | COVER - | 1,00 | | | -- |
| 0034 | VTRS15978 | | WASHER D.12X24 UNI 6592 INX | 4,00 | | | -- |
| 0035 | VTDD00176 | | NUT M.12 INOX A2 BASSO AUTOB. | 2,00 | | | -- |
| 0036 | VTVT00836 | | SCREW TE M12-60 INOX | 1,00 | | | -- |
| 0037 | VTRS13947 | | WASHER D. 8 INX UNI 6592 | 4,00 | | | -- |
| 0040 | VTDD01694 | | NUT M6 INOX | 5,00 | | | -- |
| 0041 | VTRS00245 | | WASHER D.6 UNI 6592 INOX | 1,00 | | | -- |
| 0042 | VTVT00410 | | SCREW TE M8x35 UNI5739 INOX | 1,00 | | | -- |
| 0043 | VTVT01683 | | SCREW TE 6X40 | 4,00 | | | -- |
| 0044 | MPVR05134 | | GASKET D.60 FORO D.12 SP.2 | 1,00 | | | -- |



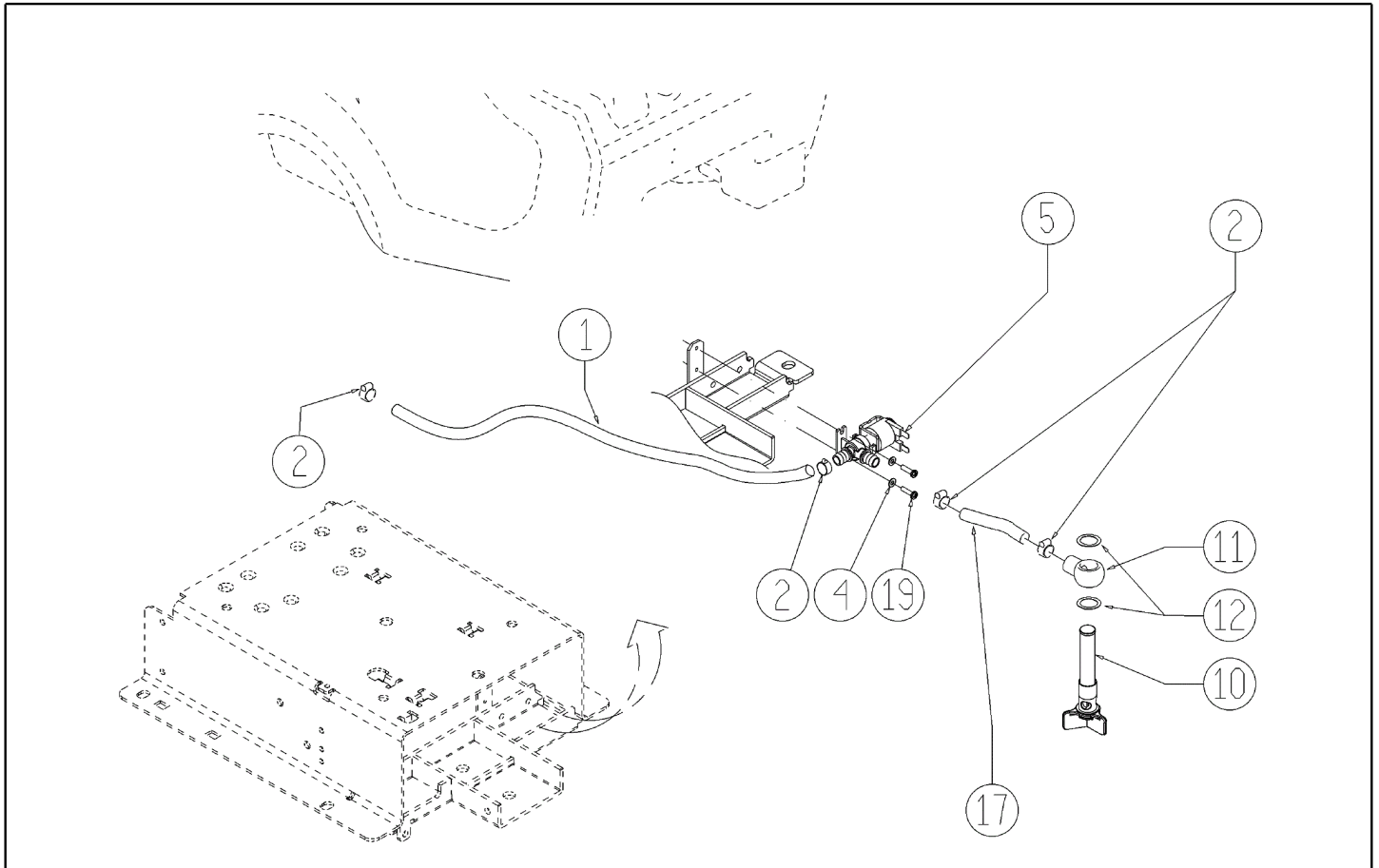
| Ref. K | Part n. | Part n. 2 | Description | Quantity | Validity | | Price |
|--------|-----------|-----------|-------------------------------|----------|------------|------------|-------|
| | | | | | From | To | |
| 0045 | VTVT01684 | | SCREW TE 6X45 | 1,00 | | | -- |
| 0046 | LAFN06898 | | SPACER 6-8 h15 | 1,00 | | | -- |
| 0047 | VTVT13937 | | SCREW TE M 8X 30 INX UNI 5739 | 2,00 | | | -- |
| 0048 | LAFN35747 | | SPRING SUPPORT LAV. E/B 450 | 1,00 | | | -- |
| 0050 | VTRS13945 | | WASHER D. 6X18 INX UNI 6593 | 1,00 | | | -- |
| 0051 | LAFN08999 | | BRACKET - | 1,00 | | | -- |
| 0052 | VTVT13938 | | SCREW TE 8X20 UNI5739 INX | 1,00 | | | -- |
| 0076 | VTVT00224 | | SCREW | 1,00 | | 26/02/2019 | -- |
| 0076 | VTVT00129 | | SCREW TSCE UNI 5933 8X20 ZB | 1,00 | 27/02/2019 | | -- |
| 0077 | LAFN06860 | | BRACKET CT70 | 1,00 | | | -- |
| 0078 | VTDD01695 | | NUT M 8 INX | 1,00 | | | -- |
| 0079 | VTRS15146 | | WASHER GROVER A2 UNI1751 | 1,00 | 25/03/2013 | | -- |



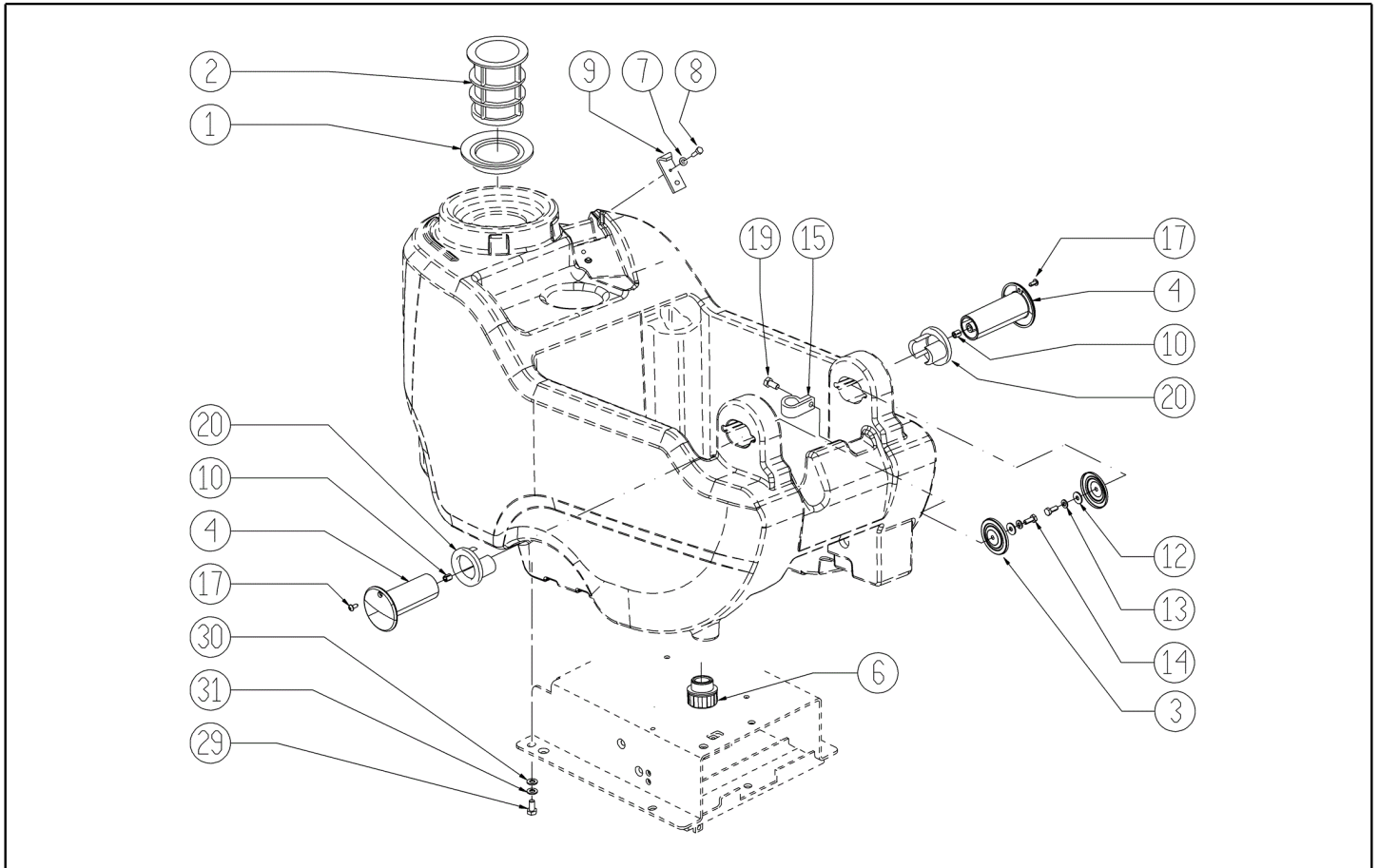
| Ref. K | Part n. | Part n. 2 | Description | Quantity | Validity | | Price |
|--------|-----------|-----------|-------------------------------|----------|------------|------------|-------|
| | | | | | From | To | |
| 000D | MECE00585 | | BOARD CT70 2013 | 1,00 | | | -- |
| 0001 | LAFN08989 | | SUPPORT - | 1,00 | | | -- |
| 0002 | ETET01717 | | LABEL - | 1,00 | | | -- |
| 0003 | MEVR01666 | | KNOB POTENTIOMETER | 1,00 | | | -- |
| 0004 | MECI00402 | | SWITCH KEY + EMERGENCY | 1,00 | | | -- |
| 0006 | VTDD21115 | | NUT M 3 INOX | 5,00 | | | -- |
| 0007 | VTRS00268 | | WASHER D.3 | 5,00 | | | -- |
| 0008 | MECE00474 | | BOARD CT70 EV | 1,00 | | 10/04/2013 | -- |
| 0008 | MECB01329 | | BOARD BT CT40-CT70 H2O - NEW | 1,00 | 11/04/2013 | | -- |
| 0009 | GUGO38417 | | GASKET PANN.COM.EXTREME | 1,00 | | | -- |
| 0011 | VTVT37012 | | SCREW M 4X 10 TCB-TC INX | 3,00 | | | -- |
| 0012 | VTRS00515 | | WASHER D. 4 INX | 10,00 | | | -- |
| 0013 | CHVR00051 | | KEYS SET SPARE SCRUBBERS W.B. | 1,00 | | | -- |
| 0014 | VTVT07725 | | SCREW TE 5X16 UNI5739 INX | 2,00 | | | -- |
| 0015 | LAFN05904 | | PLATE MICRO LEVA | 1,00 | | | -- |
| 0016 | VTRS00516 | | WASHER D. 5 INX | 2,00 | | | -- |
| 0017 | VTDD01693 | | NUT M 5 INX | 6,00 | | | -- |
| 0018 | VTRS21116 | | WASHER D. 3 INX | 2,00 | | | -- |
| 0019 | MECI00403 | | CONTACT - | 1,00 | | | -- |
| 0020 | MLML34726 | | SPRING TR E350 N | 1,00 | | 09/07/2014 | -- |
| 0020 | MLML00203 | | SPRING | 1,00 | 10/07/2014 | | -- |
| 0021 | VTVT01316 | | SCREW TC+ M3-16 | 2,00 | | | -- |
| 0022 | MECI36393 | | MICROSWITCH ACTIVATION TRCTN. | 1,00 | | | -- |
| 0030 | VTDD15925 | | NUT M 4 INX+ZN | 1,00 | | | -- |
| 0031 | VTVT00704 | | SCREW TE M 4X 16 UNI5739 INOX | 5,00 | | | -- |
| 0035 | RCVR00164 | | | 1,00 | | | -- |
| 0036 | MECI30499 | | SWITCH 10A - 250VAC | 1,00 | | | -- |
| 0037 | MEVR01975 | | RUBBER DEVIATORE | 1,00 | | | -- |
| 0041 | MECI00005 | | RELAY 24V 10/20A | 1,00 | | | -- |
| 0042 | VTDD01694 | | NUT M6 INOX | 1,00 | | | -- |
| 0043 | VTRS00245 | | WASHER D.6 UNI 6592 INOX | 1,00 | | | -- |
| 0045 | VTVT00722 | | SCREW | 3,00 | | | -- |
| 0052 | MECI00516 | | SENSOR FLOAT WATER TANK | 2,00 | | | -- |
| 0054 | LAFN35588 | | BATTERY SUPPORT CT LINE | 1,00 | | | -- |
| 0056 | MEVR01428 | | FUSE A LAMA 2 A. UNIVAL | 1,00 | | | -- |
| 0057 | MEVR02061 | | FUSE 80A | 1,00 | | 31/12/2015 | -- |
| 0057 | MEVR02105 | | FUSE 50A OMEGA FT3050 | 1,00 | 01/01/2016 | | -- |
| 0058 | MEVR02060 | | FUSE 40A | 1,00 | | | -- |
| 0059 | METT00085 | | CONTACTOR 100A | 1,00 | | | -- |
| 0060 | MECE00574 | | BOARD RELAY CT40-70-90 B-BT | 1,00 | | | -- |
| 0062 | MEVR01079 | | PLUG M CB50 A 600V RD. | 1,00 | | | -- |
| 0064 | VTDD08634 | | NUT M2 | 2,00 | | | -- |
| 0065 | FSVR00099 | | CLAMP FERMATUBO | 2,00 | | | -- |
| 0068 | MECI00334 | | MICROSWITCH CHARGING PLUG | 1,00 | | | -- |



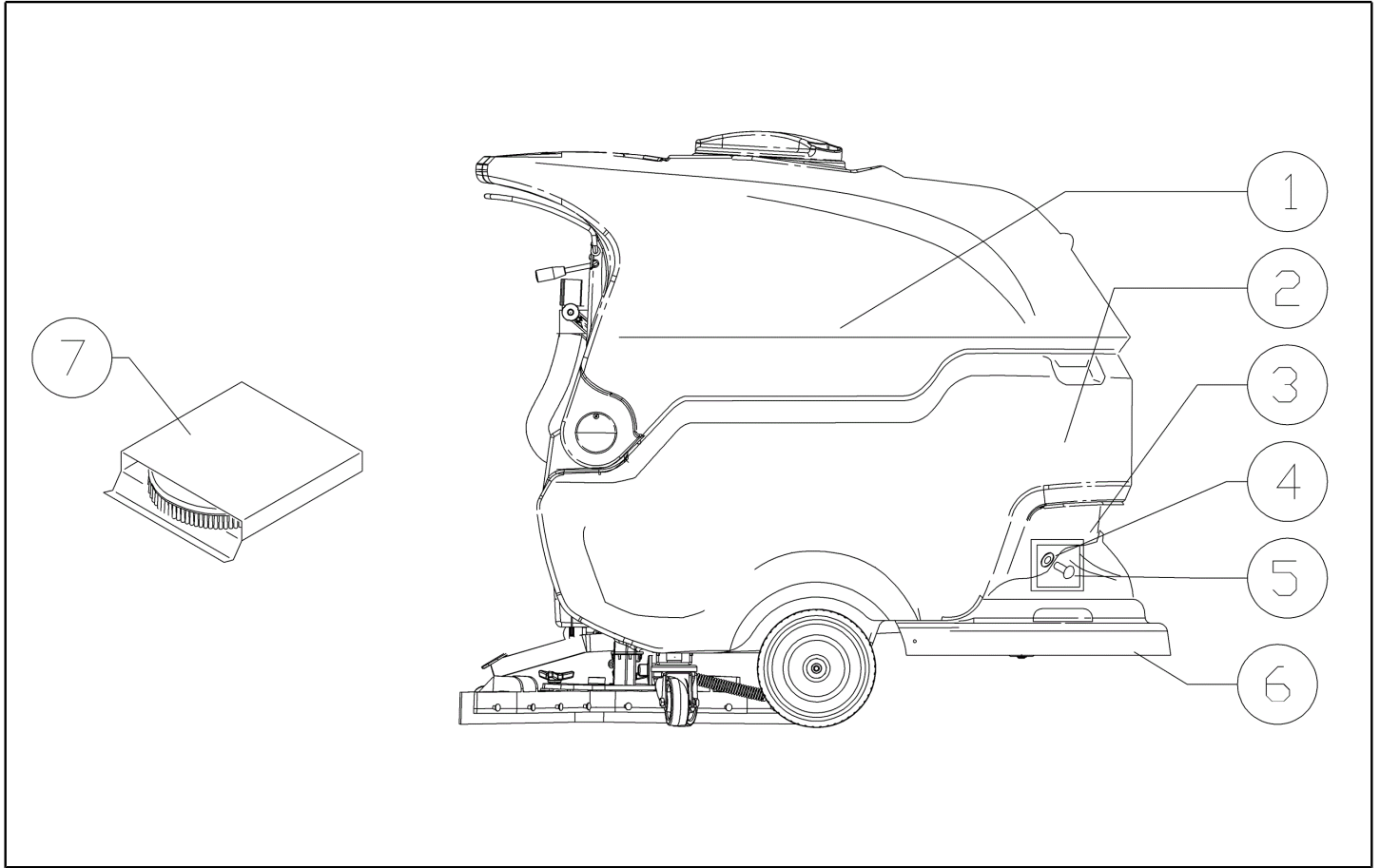
| Ref. K | Part n. | Part n. 2 | Description | Quantity | Validity | | Price |
|--------|-----------|-----------|----------------------------------|----------|------------|------------|-------|
| | | | | | From | To | |
| 0069 | LAFN06409 | | SUPPORT - | 1,00 | | | -- |
| 0070 | VTVT00671 | | SCREW TC- M.2-16 OTTONE | 2,00 | | | -- |
| 0071 | VTVT00872 | | SCREW TSP+ 2.9X13 AUTOFIL. INOX | 1,00 | | | -- |
| 0072 | VTVT00814 | | SCREW TE M.4-25 | 2,00 | | | -- |
| 0073 | VTRS15913 | | WASHER D. 4 GROVER A2 UNI1751 | 2,00 | | | -- |
| 0074 | MECB01302 | | WIRING CT40-70 BT | 1,00 | | 10/04/2013 | -- |
| 0074 | MECB01334 | | WIRING CT40-55-70 BT | 1,00 | 11/04/2013 | | -- |
| 0075 | MEVR34820 | | WIRING BATTERY BRIDGE W/TERMINAL | 1,00 | | | -- |
| 0076 | VTVT01676 | | SCREW TSTC UNI 7688 M6X16 | 1,00 | | | -- |
| 0077 | MPVR00043 | | CAP CHIUS.FORO PORTAFUS.L 15 | 1,00 | | | -- |
| 0078 | MECE00139 | | RELAY 24V 70A | 1,00 | | | -- |
| 0079 | GUGO00460 | | MOUSSE 20x15x18 | 1,00 | 20/05/2015 | | -- |
| 0080 | MEVR02104 | | FUSE 30A OMEGA FT3030 | 1,00 | | | -- |



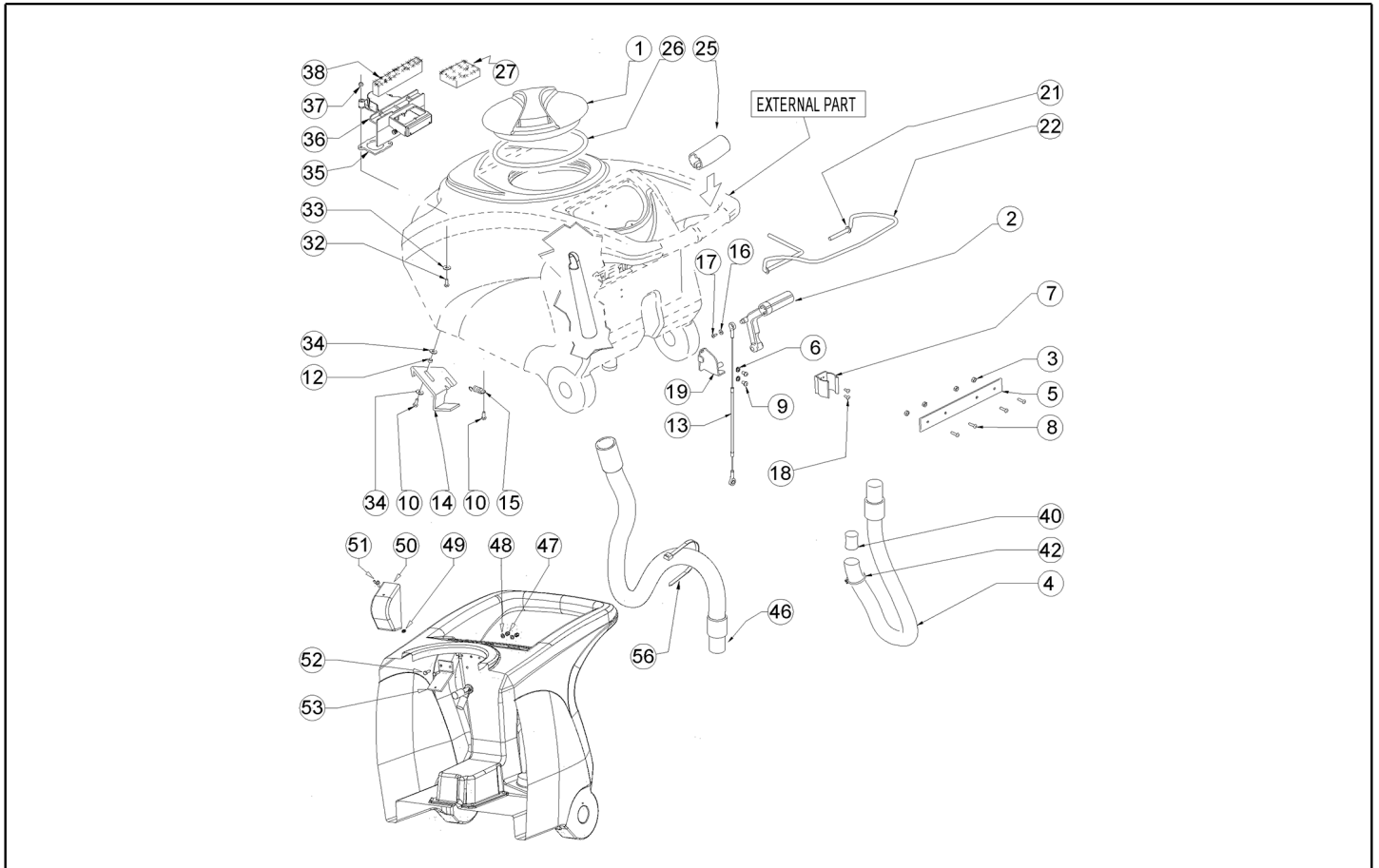
| Ref. K | Part n. | Part n. 2 | Description | Quantity | Validity | | Price |
|--------|-----------|-----------|-----------------------------------|----------|------------|------------|-------|
| | | | | | From | To | |
| 0001 | TBFX48011 | | HOSE FLEX D.12X3 ARMORV.PVC TR | 0,71 | | | -- |
| 0002 | FSVR00428 | | CLAMP D. 12-20 | 4,00 | | | -- |
| 0004 | VTRS00515 | | WASHER D. 4 INX | 2,00 | | | -- |
| 0005 | MEEV00036 | | SOLENOID VALVE HOLE 8mm CLEANTIME | 1,00 | | | -- |
| 0010 | MPVR05221 | | FILTER COMPLETO | 1,00 | | 14/02/2013 | -- |
| 0010 | MPVR06303 | | FILTER CT40-70-90 | 1,00 | 15/02/2013 | | -- |
| 0011 | LAFN07783 | | CONNECTOR - | 1,00 | | | -- |
| 0012 | VTRS00567 | | WASHER 1/2 | 2,00 | | | -- |
| 0017 | TBFX48011 | | HOSE FLEX D.12X3 ARMORV.PVC TR | 0,17 | | | -- |
| 0019 | VTVT01158 | | SCREW M4x16 | 2,00 | | | -- |



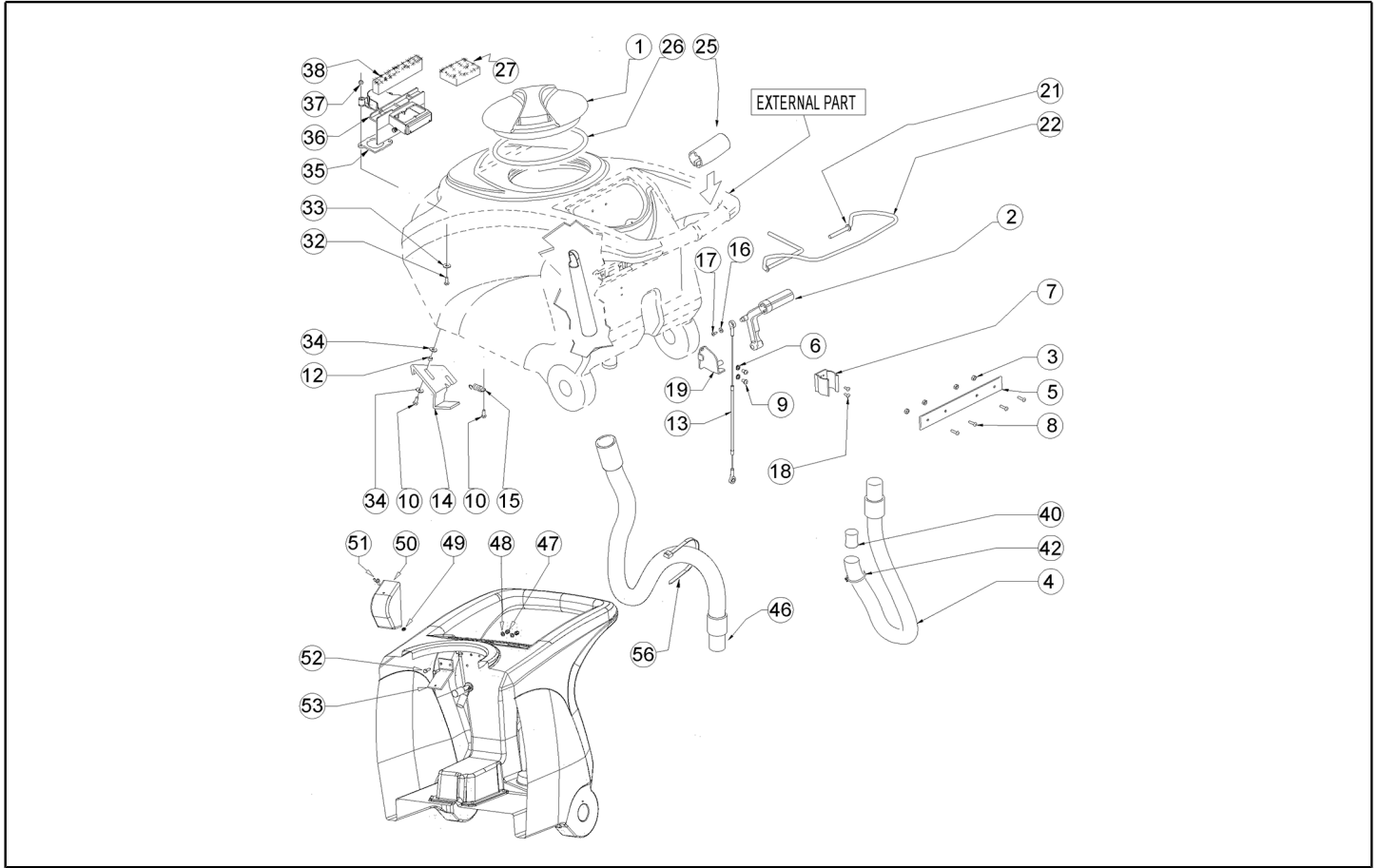
| Ref. K | Part n. | Part n. 2 | Description | Quantity | Validity | | Price |
|--------|-----------|-----------|--------------------------------|----------|------------|------------|-------|
| | | | | | From | To | |
| 0001 | GUVR48859 | | GASKET SHK | 1,00 | | | -- |
| 0002 | FTAC48857 | | FILTER SOLUTION TANK INLET | 1,00 | | | -- |
| 0003 | LAFN07800 | | SHEET METAL PA. - | 2,00 | | | -- |
| 0004 | MPVR48695 | | PIN SHK.BK | 2,00 | | 10/09/2014 | -- |
| 0004 | MPVR06407 | | PIN - | 2,00 | 11/09/2014 | | -- |
| 0006 | MPVR08003 | | CAP | 1,00 | | 12/12/2016 | -- |
| 0006 | MPVR10774 | | CAP 1/2" | 1,00 | 13/12/2016 | | -- |
| 0007 | VTRS15144 | | WASHER D. 6 INX GRW UNI 1751 | 1,00 | | | -- |
| 0008 | VTVT01303 | | SCREW TE M6-10 INOX | 1,00 | | | -- |
| 0009 | LAFN06489 | | PLATE | 1,00 | | | -- |
| 0010 | VTVR48693 | | INSERT FILETTATO M6 | 1,00 | | | -- |
| 0012 | VTRS13945 | | WASHER D. 6X18 INX UNI 6593 | 2,00 | | | -- |
| 0013 | VTRS15144 | | WASHER D. 6 INX GRW UNI 1751 | 2,00 | | | -- |
| 0014 | VTVT15143 | | SCREW TE 6X16 UNI5739 | 2,00 | | | -- |
| 0015 | MPVR02933 | | DUCT LOCK D.9,5 | 2,00 | | | -- |
| 0017 | VTVT48694 | | SCREW TCB TC 5 X12 UNI 9707 TZ | 2,00 | | 10/09/2014 | -- |
| 0019 | VTVT15961 | | SCREW M 5X 16 TCB TC UNI 7687 | 1,00 | | | -- |
| 0020 | PMVR02028 | | RUBBER GRUPPO MONTAGGIO | 2,00 | | | -- |
| 0029 | VTVT15916 | | SCREW TE M 8X 16 UNI 5739 A2 | 4,00 | | | -- |
| 0030 | VTRS00269 | | WASHER D. 8 DIN 6798-A INX A2 | 4,00 | | | -- |
| 0031 | VTRS13947 | | WASHER D. 8 INX UNI 6592 | 4,00 | | | -- |



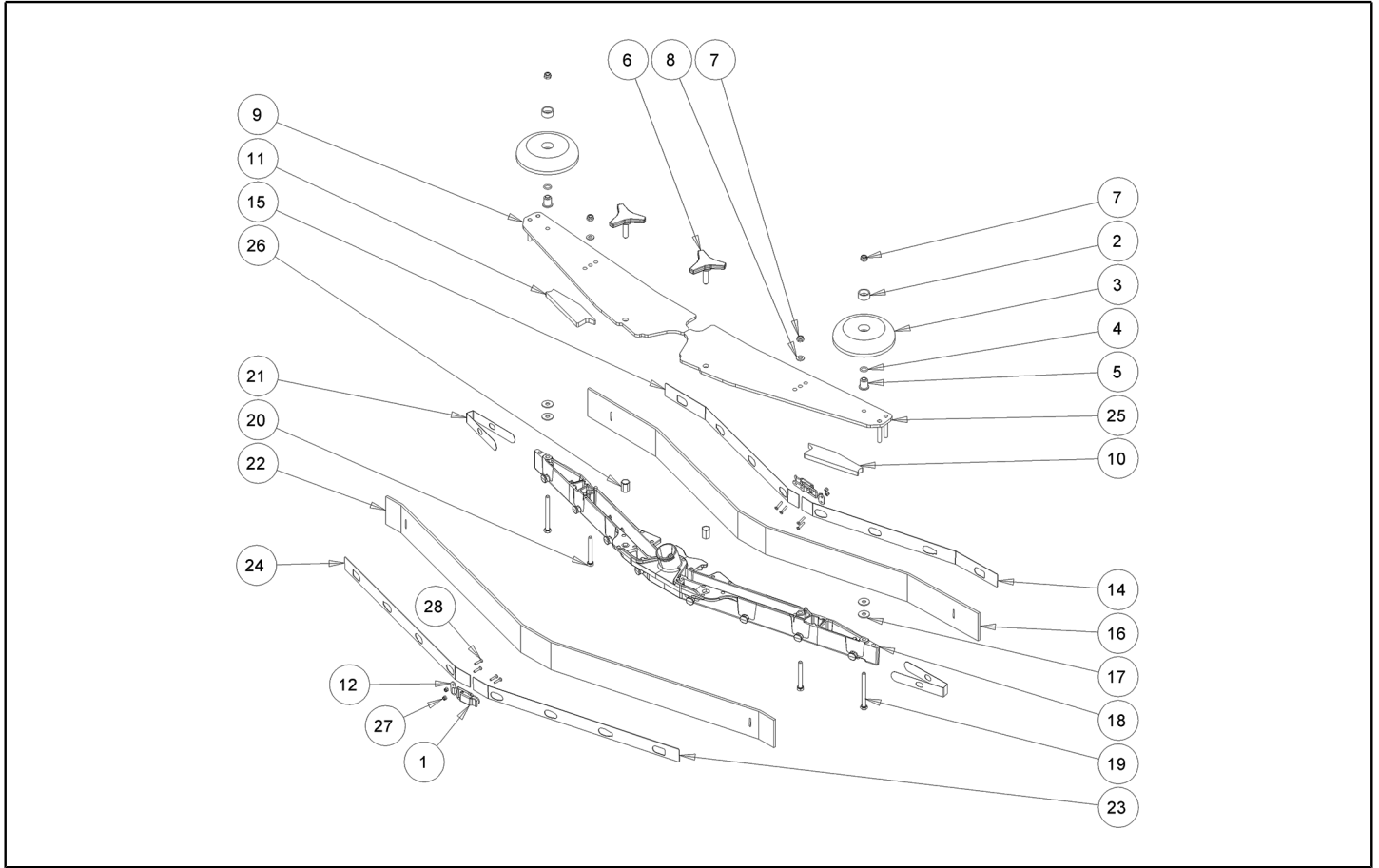
| Ref. K | Part n. | Part n. 2 | Description | Quantity | Validity | | Price |
|--------|-----------|-----------|-------------------------------|----------|----------|----|-------|
| | | | | | From | To | |
| 0001 | MPVR05385 | | TANK CT70 | 1,00 | | | -- |
| 0002 | MPVR05386 | | TANK CT70 | 1,00 | | | -- |
| 0003 | MPVR05208 | | COVER 50-55 | 1,00 | | | -- |
| 0004 | VTRS00516 | | WASHER D. 5 INX | 4,00 | | | -- |
| 0005 | VTVT15961 | | SCREW M 5X 16 TCB TC UNI 7687 | 4,00 | | | -- |
| 0006 | MPVR04722 | | BRUSH PROTECT. 55 | 1,00 | | | -- |
| 0007 | SPPV43964 | | BRUSH NYL 0.8 530 | 1,00 | | | -- |



| Ref. K | Part n. | Part n. 2 | Description | Quantity | Validity | | Price |
|--------|-----------|-----------|---------------------------------|----------|------------|------------|-------|
| | | | | | From | To | |
| 0001 | MPVR04051 | | TANK CAP | 1,00 | | | -- |
| 0002 | MPVR49942 | | LEVER SQUEEGEE LIFTING PP | 1,00 | | | -- |
| 0003 | VTDD15518 | | NUT M 6 INX | 4,00 | | | -- |
| 0004 | TBFX00348 | | TUBE CT40-70-90 HOSE DRAIN | 1,00 | | 10/04/2013 | -- |
| 0004 | TBFX00358 | | TUBE PU CT40/70/90 | 1,00 | 11/04/2013 | 28/09/2020 | -- |
| 0004 | TBFX01299 | | HOSE DRAIN PU MY'21 CT40/70/90 | 1,00 | 29/09/2020 | | -- |
| 0005 | LAFN05865 | | PLATE COPRILEVA CONSENSO | 1,00 | | | -- |
| 0006 | VTRS13750 | | WASHER D. 5X14 INX | 4,00 | | | -- |
| 0007 | MPVR46988 | | CLIP FIXATION DRAIN HOSE | 1,00 | | | -- |
| 0008 | VTVT00651 | | SCREW TBEI M 5x16 ISO 7380 IX | 4,00 | | | -- |
| 0009 | VTVT01300 | | SCREW TE M5X12 INOX | 2,00 | | | -- |
| 0010 | VTVT15143 | | SCREW TE 6X16 UNI5739 | 3,00 | | | -- |
| 0012 | LAFN03626 | | SPACER | 2,00 | | | -- |
| 0013 | CMCV00361 | | CABLE CABLE LIFTING SQUEEGEE HD | 1,00 | | | -- |
| 0014 | LAFN06849 | | HANDLE CT 70 | 1,00 | | | -- |
| 0015 | MLML00203 | | SPRING | 1,00 | | | -- |
| 0016 | VTRS00251 | | WASHER 4-16 INOX A2 | 1,00 | | | -- |
| 0017 | VTVT00800 | | SCREW TC 4X12 ZN | 1,00 | | | -- |
| 0018 | VTVT21096 | | SCREW TE M 4X 10 INX | 2,00 | | | -- |
| 0019 | LAFN05870 | | BRACKET SQUEEGEE LIFTING | 1,00 | | 06/09/2016 | -- |
| 0019 | LAFN11019 | | BRACKET - | 1,00 | 07/09/2016 | | -- |
| 0021 | VTRS13947 | | WASHER D. 8 INX UNI 6592 | 2,00 | | | -- |
| 0022 | LAFN05861 | | LEVER CONSENSO SPAZZOLE | 1,00 | | 12/06/2014 | -- |
| 0022 | LAFN09339 | | LEVER HANDLE ACTIVATION | 1,00 | 13/06/2014 | | -- |
| 0025 | MPVR05215 | | KNOB - | 2,00 | | | -- |
| 0026 | GUGO00263 | | GASKET SEAL CAP REC. TANK | 1,00 | | | -- |
| 0027 | FTDP00133 | | FILTER VACUUM MOTOR | 1,00 | | | -- |
| 0032 | VTVT01139 | | SCREW TE M.4-25 | 2,00 | | | -- |
| 0033 | VTRS00515 | | WASHER D. 4 INX | 2,00 | | | -- |
| 0034 | VTRS00274 | | WASHER NYLON 66 D.8,4-17-2 UNI | 4,00 | | | -- |
| 0035 | GUGO00417 | | GASKET SCATOLA ASPIRAZIONE | 1,00 | | | -- |
| 0036 | MPVR05482 | | BOX - | 1,00 | | | -- |
| 0037 | VTDD15925 | | NUT M 4 INX+ZN | 2,00 | | | -- |
| 0038 | GUGO00418 | | GASKET CONDOTTO ASPIRAZIONE | 1,00 | | | -- |
| 0040 | GUGO00245 | | GASKET | 1,00 | | 28/09/2020 | -- |
| 0042 | FSVR43136 | | CLAMP D. 35-40 DF. | 1,00 | | 28/09/2020 | -- |
| 0042 | FSVR00095 | | CLAMP 30-45 | 1,00 | 29/09/2020 | | -- |
| 0046 | KTRI04696 | | KIT REPLACEMENT TBFX00353 | 1,00 | | | -- |
| 0047 | VTDD01693 | | NUT M 5 INX | 2,00 | | | -- |
| 0048 | VTRS00516 | | WASHER D. 5 INX | 2,00 | | | -- |
| 0049 | VTVR01038 | | WASHER - | 1,00 | | | -- |
| 0050 | MPVR05596 | | PROTECTION - | 1,00 | | | -- |
| 0051 | VTVT01150 | | SCREW 4x10 | 1,00 | | | -- |
| 0052 | VTVT07725 | | SCREW TE 5X16 UNI5739 INX | 2,00 | | | -- |



| Ref. K | Part n. | Part n. 2 | Description | Quantity | Validity | | Price |
|--------|-----------|-----------|-------------|----------|----------|----|-------|
| | | | | | From | To | |
| 0053 | LAFN07631 | | BRACKET - | 1,00 | | | -- |
| 0056 | FSVR00248 | | CLAMP - | 1,00 | | | -- |



| Ref. K | Part n. | Part n. 2 | Description | Quantity | Validity | | Price |
|--------|-----------|-----------|--------------------------------|----------|------------|------------|-------|
| | | | | | From | To | |
| 0001 | LAFN09302 | | CLOSURE - | 2,00 | 26/09/2013 | | -- |
| 0002 | MPVR49229 | | BUSHING SHK | 2,00 | | | -- |
| 0003 | MPVR05290 | | ROLLER SIDE BUMPER WHEEL | 2,00 | | | -- |
| 0004 | GUGO00164 | | GASKET | 2,00 | | | -- |
| 0005 | LAFN04100 | | SPACER FOR BUMPER WHEEL | 2,00 | | | -- |
| 0006 | MPVR06003 | | KNOB AISI 304 | 2,00 | | 05/03/2013 | -- |
| 0006 | MPVR06004 | | KNOB SQUEEGEE YELLOW M8X30 | 2,00 | 06/03/2013 | | -- |
| 0007 | VTDD01700 | | NUT M6 INOX+ZIN. | 4,00 | | | -- |
| 0008 | VTRS00245 | | WASHER D.6 UNI 6592 INOX | 2,00 | | | -- |
| 0009 | LAFN09012 | | PLATE - | 1,00 | | | -- |
| 0010 | GUVR00301 | | GASKET - | 1,00 | | | -- |
| 0011 | GUVR00300 | | GASKET - | 1,00 | | | -- |
| 0012 | LAFN09301 | | SOCKET - | 2,00 | 26/09/2013 | | -- |
| 0014 | LAFN08948 | | BRACKET - | 1,00 | | 25/09/2013 | -- |
| 0014 | LAFN09279 | | BLADE HOLDER S SIZE ANT. RIGHT | 1,00 | 26/09/2013 | | -- |
| 0015 | LAFN08949 | | BRACKET - | 1,00 | | 25/09/2013 | -- |
| 0015 | LAFN09280 | | SHEET METAL PA. - | 1,00 | 26/09/2013 | | -- |
| 0016 | MPVR08039 | | BLADE S LATEX | 1,00 | | | -- |
| 0017 | VTRS13945 | | WASHER D. 6X18 INX UNI 6593 | 4,00 | | | -- |
| 0018 | KTRI02048 | | BODY SQUEEGEE ALUMINUM S | 1,00 | | | -- |
| 0019 | VTVT00841 | | SCREW TE M 6X65 UNI 5739 INX | 2,00 | | | -- |
| 0020 | VTVT15515 | | SCREW TE M 6X 50 INOX A2 | 2,00 | | | -- |
| 0021 | MPVR05897 | | CLOSURE S | 2,00 | | | -- |
| 0022 | MPVR08035 | | BLADE S LATEX | 1,00 | | | -- |
| 0023 | LAFN08950 | | BRACKET - | 1,00 | | 25/09/2013 | -- |
| 0023 | LAFN09281 | | SHEET METAL PA. - | 1,00 | 26/09/2013 | | -- |
| 0024 | LAFN08951 | | BRACKET - | 1,00 | | 25/09/2013 | -- |
| 0024 | LAFN09283 | | BLADE HOLDER S SIZE POST. LEFT | 1,00 | 26/09/2013 | | -- |
| 0025 | LAFN09013 | | PLATE - | 1,00 | | | -- |
| 0026 | VTVR00565 | | INSERT - | 2,00 | | | -- |
| 0027 | VTDD00210 | | NUT M 3 AUTOBL DIN 985 IX.A2 | 8,00 | 26/09/2013 | | -- |
| 0028 | VTVT01070 | | SCREW TSTC M3X8 | 8,00 | 26/09/2013 | | -- |