

# TSX



**SPARE PARTS LIST**  
**LISTE DES PIÈCES DE RECHANGE**  
**AUFLISTUNG DER ERSATZTEILE**  
**LISTA DE REPUESTOS**  
**NOMENCLATURA PEÇAS SOBRESSALENTES**  
**NOMENCLATURA RICAMBI**  
**LISTE OVER RESERVEDELE**  
**LIJST VERVANGINGSONDERDELEN**  
**RESERVELSLISTA**  
**VARAOSALUETTELO**  
**LISTE OVER RESERVEDELER**  
**Λίστα ανταλλακτικών**





## **CAUTION**

### **Warning:**

Repairs must be carried out by skilled personnel only

### **Précaution:**

Confier la réparation uniquement à du personnel qualifié

### **Vorsicht:**

Reparierung nur von Fachleuten vornehmen lassen

### **PRECAUCIÓN:**

La reparación es de exclusiva competencia de personal experto.

### **PRECAUÇÕES:**

O conserto deve ser feito somente por pessoas tecnicamente qualificadas.

### **PRECAUZIONE:**

Affidare la riparazione unicamente a personale esperto.

### **BEMÆRK:**

overlad udelukkende reparation til specialuddannet personale.

### **LET OP:**

Laat reparaties uitsluitend door vakkundig personeel uitvoeren

### **OBSERVERA!**

Låt endast kompetent personal sköta reparationerna.

### **HUOMIO:**

Laitteen korjaus tulee uskoa ainoastaan alan asiantuntijalle

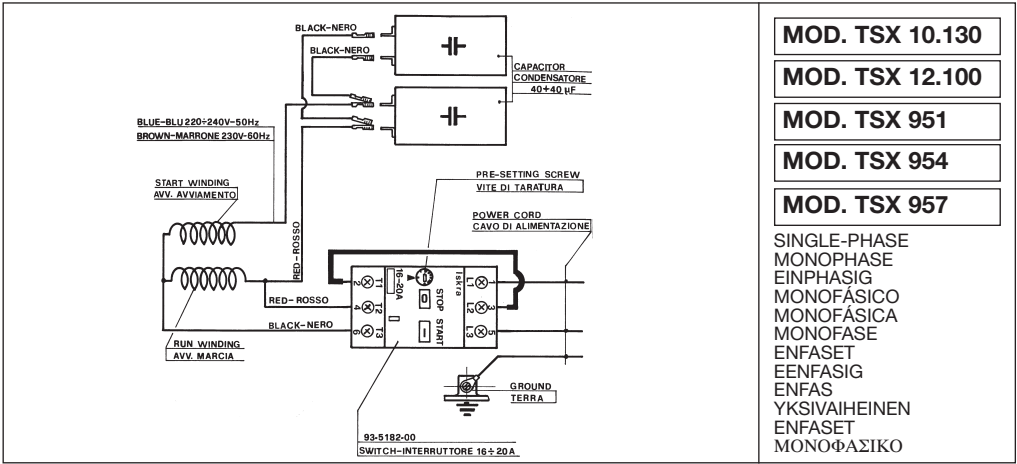
### **FORSIKTIG:**

Reparasjoner skal kun utføres av kvalifisert personell

### **ΠΡΟΣΟΧΗ!:**

Οι εργασίες γίνονται μόνο από ειδικευμένο προσωπικό

# SERIES "TSX"



**MOD. TSX 10.130**

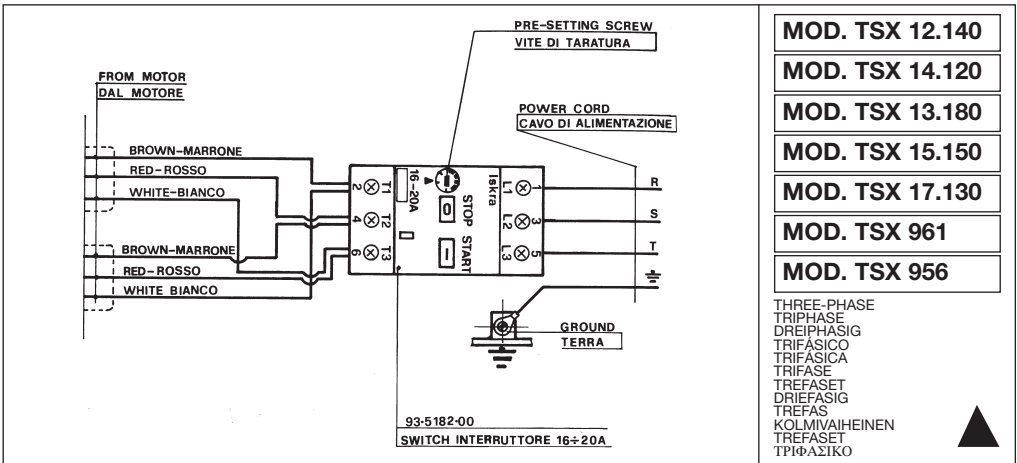
**MOD. TSX 12.100**

**MOD. TSX 951**

**MOD. TSX 954**

**MOD. TSX 957**

SINGLE-PHASE  
MONOPHASE  
EINPHASIG  
MONOFÁSICO  
MONOFÁSICO  
MONOFASE  
ENFASSET  
EENFASIG  
ENFAS  
YKSIVAIHEINEN  
ENFASSET  
ΜΟΝΟΦΑΣΙΚΟ



**MOD. TSX 12.140**

**MOD. TSX 14.120**

**MOD. TSX 13.180**

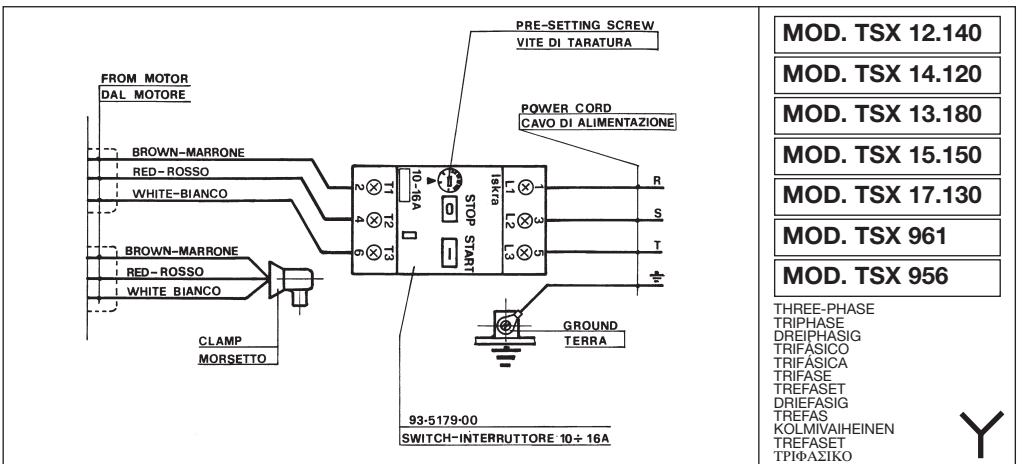
**MOD. TSX 15.150**

**MOD. TSX 17.130**

**MOD. TSX 961**

**MOD. TSX 956**

THREE-PHASE  
TRIPHASE  
DREIPLHASIG  
TRIFÁSICO  
TRIFÁSICO  
TRIFASE  
TREFASET  
DRIEFASIG  
TREFAS  
KOLMIVAIHEINEN  
TREFASET  
ΤΡΙΦΑΣΙΚΟ



**MOD. TSX 12.140**

**MOD. TSX 14.120**

**MOD. TSX 13.180**

**MOD. TSX 15.150**

**MOD. TSX 17.130**

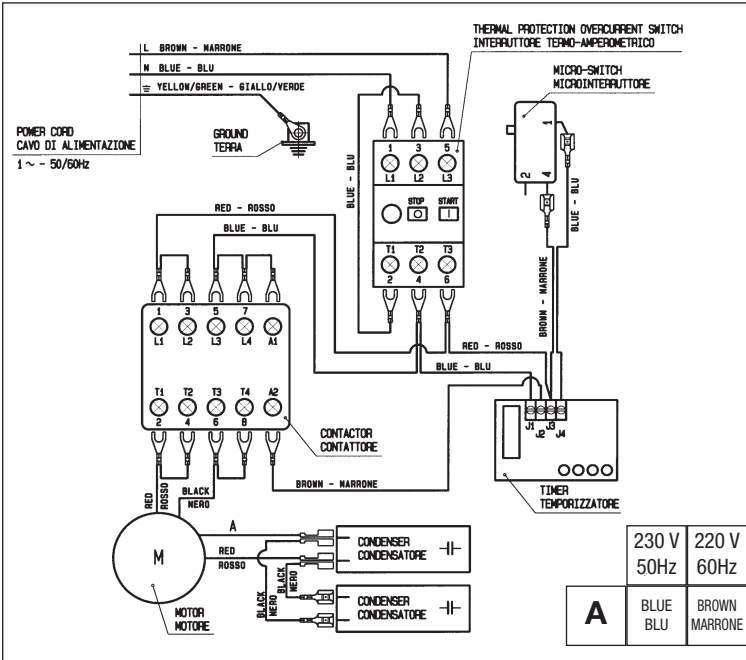
**MOD. TSX 961**

**MOD. TSX 956**

THREE-PHASE  
TRIPHASE  
DREIPLHASIG  
TRIFÁSICO  
TRIFÁSICO  
TRIFASE  
TREFASET  
DRIEFASIG  
TREFAS  
KOLMIVAIHEINEN  
TREFASET  
ΤΡΙΦΑΣΙΚΟ

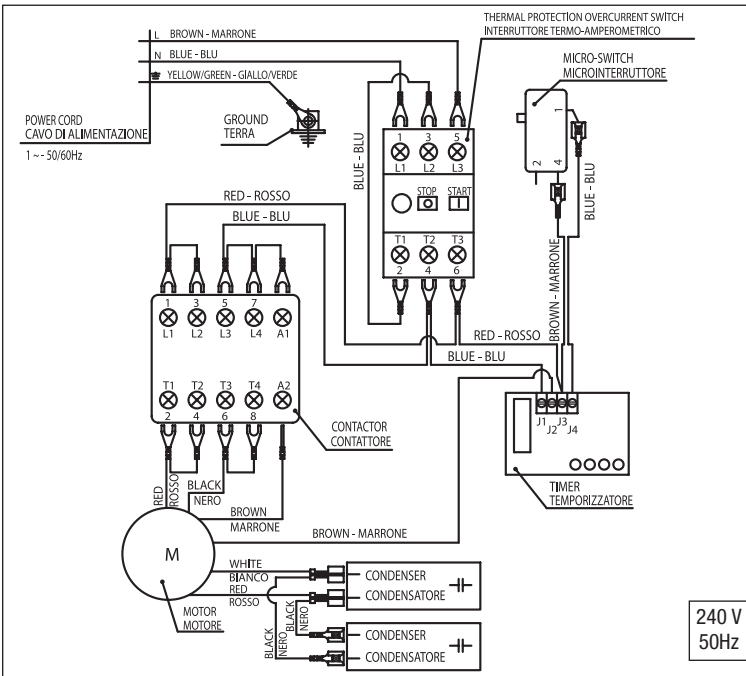


**TOTAL STOP VERSION - VERSIONE CON TOTAL STOP**



- MOD. TSX 10.130
- MOD. TSX 12.100
- MOD. TSX 951
- MOD. TSX 954
- MOD. TSX 957

SINGLE-PHASE  
MONOPHASE  
EINPHASIG  
MONOFÁSICO  
MONOFÁSCA  
MONOFASE  
ENFASET  
EENFASIG  
ENFAS  
YKSIVAIHEINEN  
ENFASET  
ΜΟΝΟΦΑΣΙΚΟ

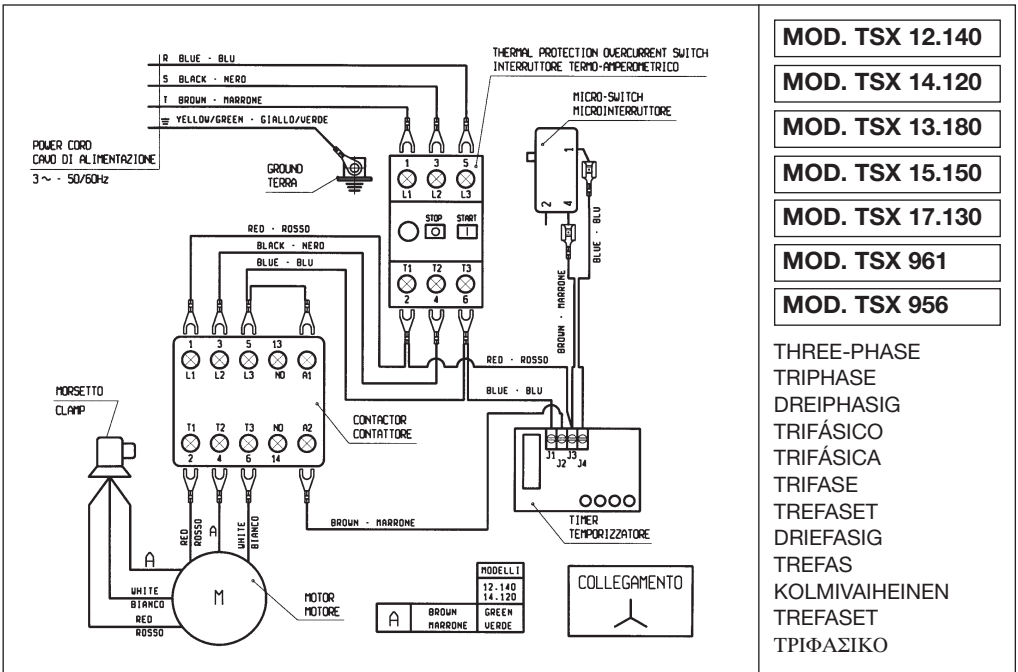
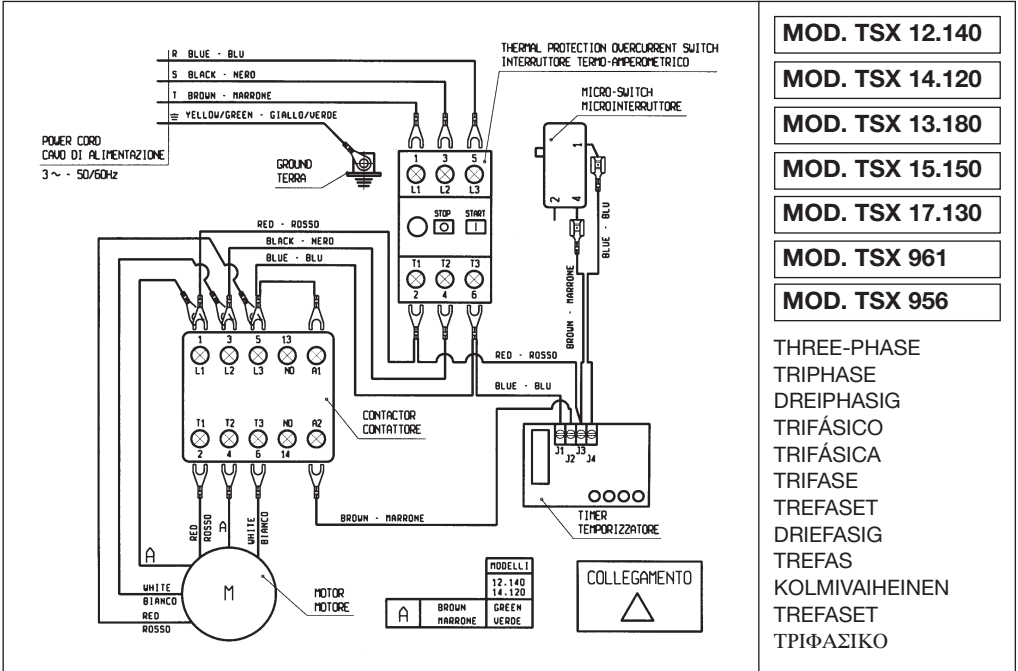


- MOD. TSX 10.130
- MOD. TSX 12.100
- MOD. TSX 951
- MOD. TSX 954
- MOD. TSX 957

SINGLE-PHASE  
MONOPHASE  
EINPHASIG  
MONOFÁSICO  
MONOFÁSCA  
MONOFASE  
ENFASET  
EENFASIG  
ENFAS  
YKSIVAIHEINEN  
ENFASET  
ΜΟΝΟΦΑΣΙΚΟ

# SERIES "TSX"

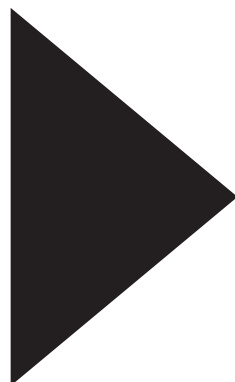
## TOTAL STOP VERSION - VERSIONE CON TOTAL STOP



---

---

**SPARE PARTS KIT  
JEU DE PIÈCES DE RECHANGE  
ERSATZTEILKASTEN  
KIT DE REPUESTOS  
ESTOJO PEÇAS SOBRESSALENTES  
KIT RICAMBI  
RESERVEDELSSÆT  
SET VERVANGINGSONDERDELEN  
SET MED RESERVDALAR  
VARAOSAT  
SETT MED RESERVEDELER  
Λίστα ανταλλακτικών**



# TSX10.130 - TSX12.100 - TSX951 TSX954 - TSX957

SPARE PARTS LIST

LISTE DES PIÈCES DE RECHANGE

AUFLISTUNG DER ERSATZTEILE

LISTA DE REPUESTOS

NOMENCLATURA PEÇAS SOBRESSALENTES

NOMENCLATURA RICAMBI

LISTE OVER RESERVEDELE

LIJST VERVANGINGSONDERDELEN

RESERVDELSLISTA

VAROASALUETTELO

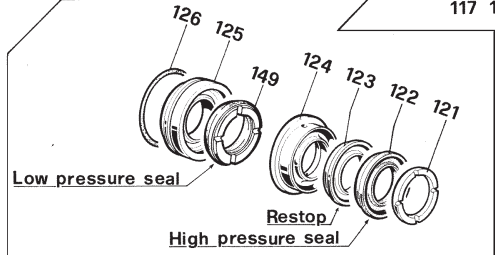
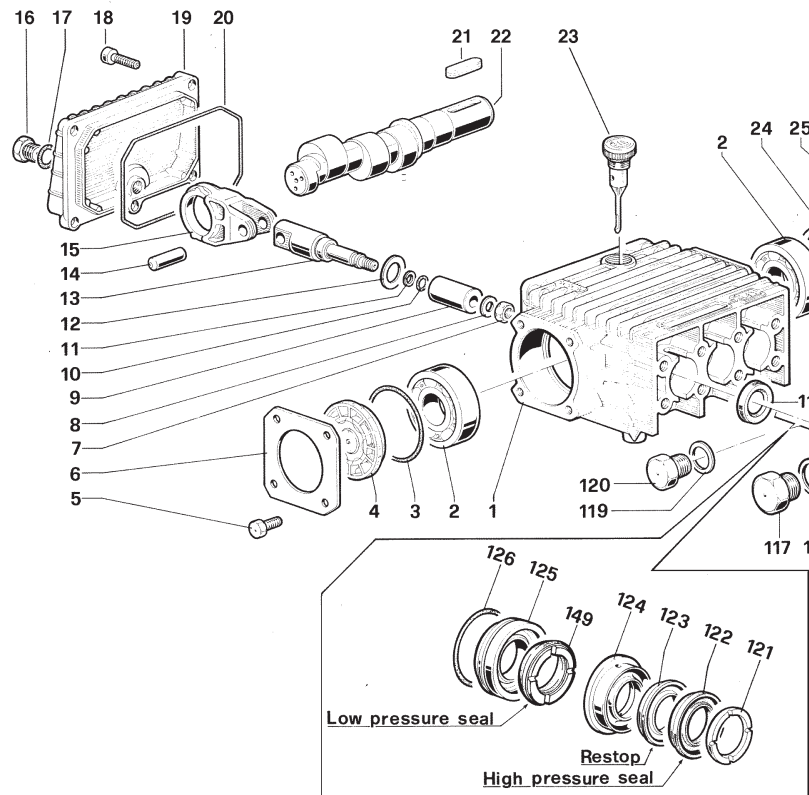
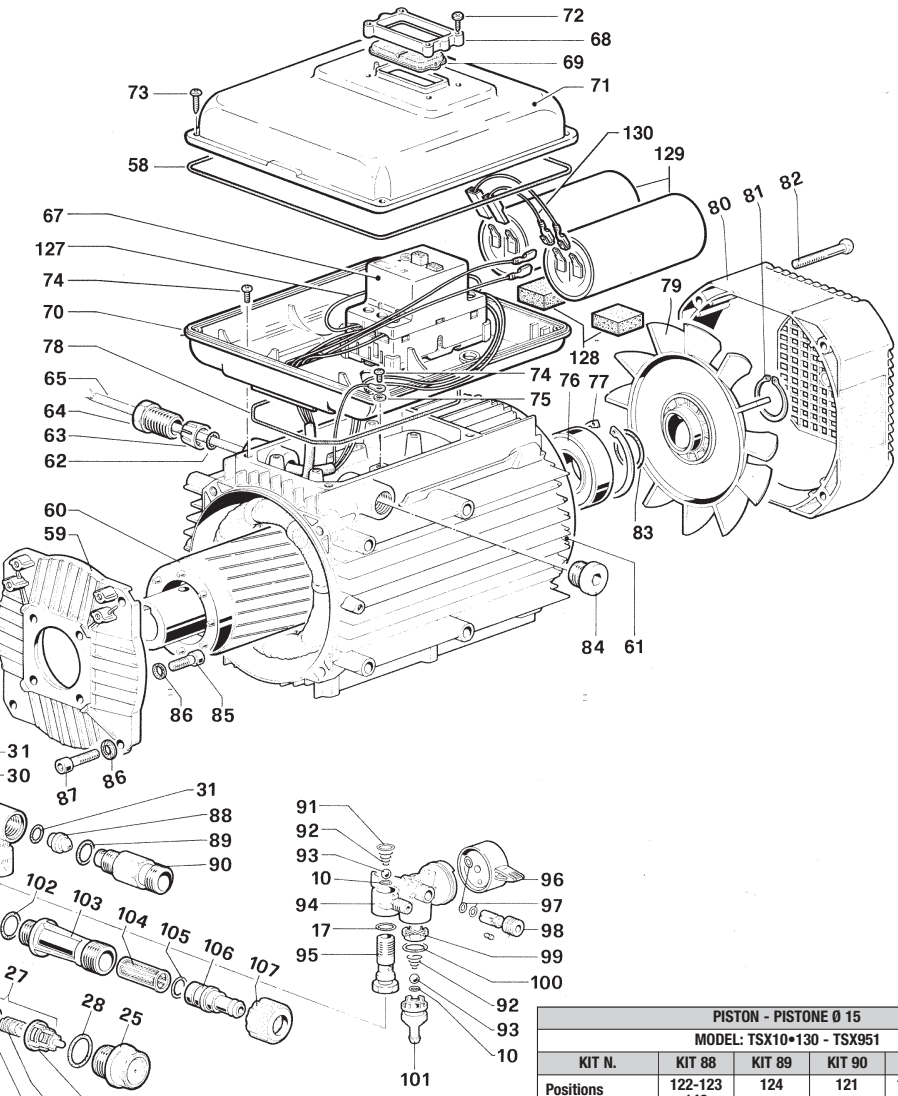
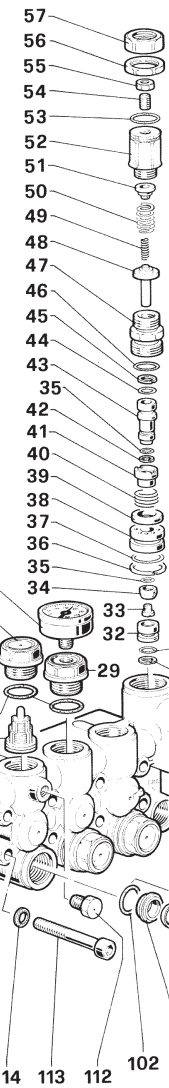
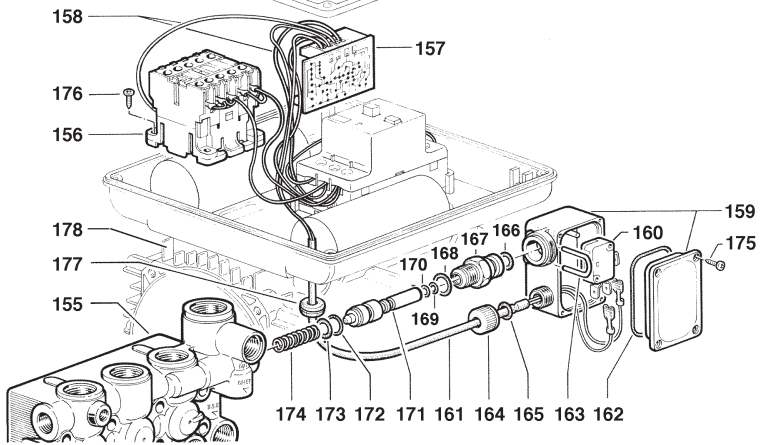
LISTE OVER RESERVEDELER

Λίστα ανταλλακτικών

POS.	CODE CODICE	N. PCS.	POS.	CODE CODICE	N. PCS.	POS.	CODE CODICE	N. PCS.
1	44.0100.22	1	58	43.2101.82	1			
2	91.8328.00	2	59	10.0501.22	1	115	44.1201.41 - 015	1
3	90.4097.00	1	60	43.3401.02	1	116	44.1205.41 - 018	1
4	44.2118.01	1				117	96.7514.00	1
5	99.1807.00	4	61	43.3201.02 - 230V-50Hz	1	118	98.2176.00	1
6	50.1500.74	1		43.3203.02 - 220V-60Hz		119	90.1614.00	3
7	92.2216.00	3		43.3208.02 - 240V-50Hz		120	96.7380.00	1
8	44.2115.70	3	62	90.4028.00	1		98.2100.00	1
9	52.0400.09 - 015	3	63	43.2128.51	1	121	51.1000.51 - 015	3
	44.0401.09 - 018		64	43.2127.51	1		44.1001.51 - 018	
10	90.3572.00	5	65	10.7269.01	1	122	90.2620.00 - 015	3
11	90.5022.00	3	66	93.5182.00 - 230/240V	1		90.2682.00 - 018	
12	96.7350.00	3	67	43.2120.51	1	123	90.2622.00 - 015	3
13	44.0500.66	3	68	43.2119.47	1		90.2683.00 - 018	
14	97.7340.00	3	69	43.2115.51	1	124	52.2166.70 - 015	3
15	44.0300.22	3	70	43.2116.51	1		44.2161.70 - 018	
16	98.2041.00	1	71	99.0744.00	4	125	44.0800.70 - 015	3
17	90.3585.00	2	72	99.1580.00	4		44.0801.70 - 018	
18	99.1837.00	5	73	99.1515.00	5	126	90.3612.00	3
19	44.1600.22	1	74	96.6913.00	1	127	42.2115.86	1
20	90.3920.00	1	75	91.8372.00	1	128	43.2102.81	2
21	91.4892.00	1	76	90.0850.00	1	129	93.5648.00	2
			77	90.4146.00	1	130	10.7232.01	2
22	44.0206.35 - TSX10.130	1	78	42.0300.51	1	149	90.2617.00 - 015	3
	TSX951 - TSX957		79	43.0400.51	1		90.2684.00 - 018	
	44.0203.35 - TSX12.100		80	90.0655.00	1	<b>TOTAL STOP VERSION - VERSIONE TOTAL STOP</b>		
	TSX954		81	99.1658.00	4	155	44.1210.41 - 015	1
23	98.2103.00	1	82	90.3863.00	1		44.1211.41 - 018	
24	90.1641.00	1	83	98.2173.00	1		93.6342.00 - TSX10.130	
25	98.2226.00	5	84	99.1867.00	4		TSX12.100	
26	94.5824.00	1	85	96.6938.00	8	156	93.6344.00 - TSX951	1
27	36.7115.01	6	86	99.1897.00	4		TSX954	
28	90.3847.00	6	87	10.0151.66			TSX957	
29	98.2227.00	1		10.0307.66		157	93.6430.00	1
30	90.5065.00	1	88	TSX10.130 - TSX951	1	158	10.7373.01	1
31	90.3822.00	2	89	90.3832.00	1	159	10.0610.51	1
32	36.3164.66	1				160	93.5415.00	1
33	99.1509.00	1	90	10.0147.70 - M22	1	161	10.7375.01	1
34	36.3190.66	1		10.0078.70 - G3/8		162	90.3885.00	1
35	90.3575.00	2	91	90.3582.00	1	163	10.0611.66	1
36	90.5144.00	1	92	94.8217.00	2	164	92.9740.00	1
37	90.3600.00	1	93	97.4782.00	2	165	90.3817.00	1
38	36.3229.70	1	94	36.3216.51	1	166	90.3578.00	1
39	36.3231.51	1	95	36.2563.70	1	167	10.0613.70	1
40	94.7485.00	1	96	36.3217.51	1	168	90.3591.00	1
41	36.3230.70	1	97	90.3570.00	3	169	90.5020.00	1
42	90.5025.00	1	98	36.3220.51	1	170	90.3570.00	1
43	36.3234.70	1	99	36.3219.51	1	171	10.0612.70	1
44	90.3820.00	1	100	90.3831.00	1	172	90.3819.00	1
45	90.5052.00	1	101	36.3218.51	1	173	90.5052.00	1
46	90.3857.00	1	102	90.3841.00	7	174	94.7341.00	1
47	36.3228.70	1	103	36.3182.51	1	175	99.0650.00	4
48	36.3233.70	1	104	92.8925.00	1	176	99.0840.00	1
49	94.7345.00	1	105	90.3828.00	1	177	43.2100.47	1
50	94.7436.00	1	106	36.2569.51	1			
51	36.3169.70	1	107	92.9828.00	1	178	43.3205.02 - 230V-50Hz	1
52	36.3185.70	1	108	36.2025.51	6		43.3206.02 - 220V-60Hz	
53	90.3598.00	1	109	94.7376.00	6		43.3207.02 - 240V-50Hz	
54	99.3054.00	1	110	36.2001.76	6			
55	92.2218.00	1	111	36.2003.66	6			
56	92.2935.00	1	112	98.1966.00	1			
57	36.3186.70	1	113	99.3175.00	8			
			114	96.7014.00				



TOTAL STOP VERSION - VERSIONE TOTAL STOP



PISTON - PISTONE Ø 15					
MODEL: TSX10*130 - TSX951					
KIT N.	KIT 88	KIT 89	KIT 90	KIT 125	KIT 130
Positions Included	122-123 149	124	121	125-126	121-122 123-124 125-126 149
Posizioni Include					
N. pcs.	3	3	6	3	1

KIT N.	KIT 23	KIT 123	KIT 124	KIT 137	KIT 138
Positions Included	118	102-108 109-110 111 (27)	25-28	30-31-32 33-34-35 36-37-38 39-40-41 42-43-44 45	10-17-91 92-93-97 98-99 100-101
Posizioni Include					
N. pcs.	3	6	6	1	1

PISTON - PISTONE Ø 18					
MODEL: TSX12*100 - TSX954 - TSX957					
KIT N.	KIT 126	KIT 127	KIT 128	KIT 129	KIT 131
Positions Included	125-126	123-122 149	124	121	121-122 123-124 125-126 149
Posizioni Include					
N. pcs.	3	3	3	6	1

DIS. COD. 44.9534.00



# TSX12.140 - TSX14.120 - TSX13.180 TSX15.150 - TSX17.130 - TSX956 - TSX961

SPARE PARTS LIST

LISTE DES PIÈCES DE RECHANGE

AUFLISTUNG DER ERSATZTEILE

LISTA DE REPUESTOS

NOMENCLATURA PEÇAS SOBRESSALENTES

NOMENCLATURA RICAMBI

LISTE OVER RESERVEDELE

LIJST VERVANGINGSONDERDELEN

RESERVDELISLISTA

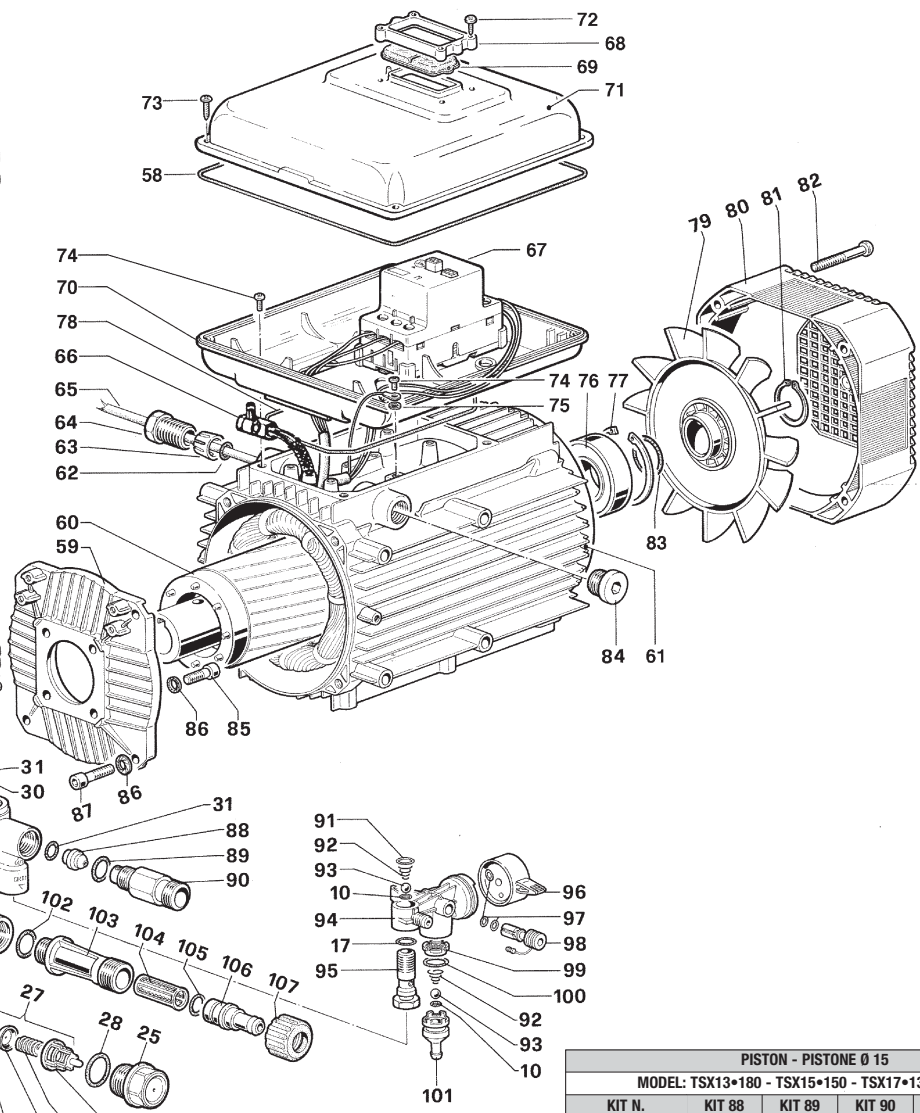
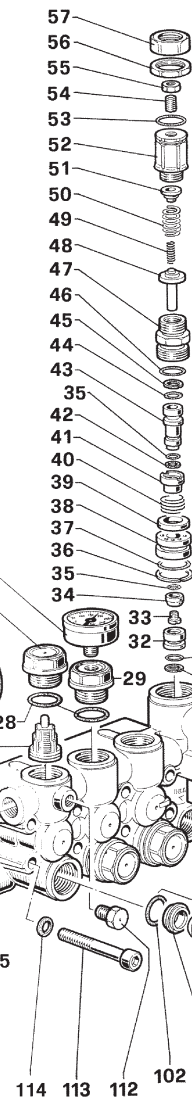
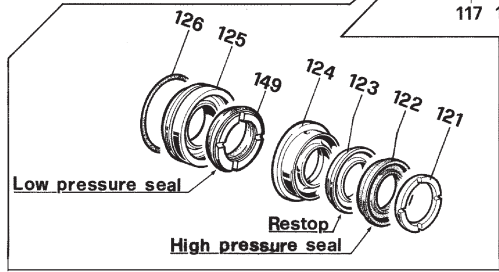
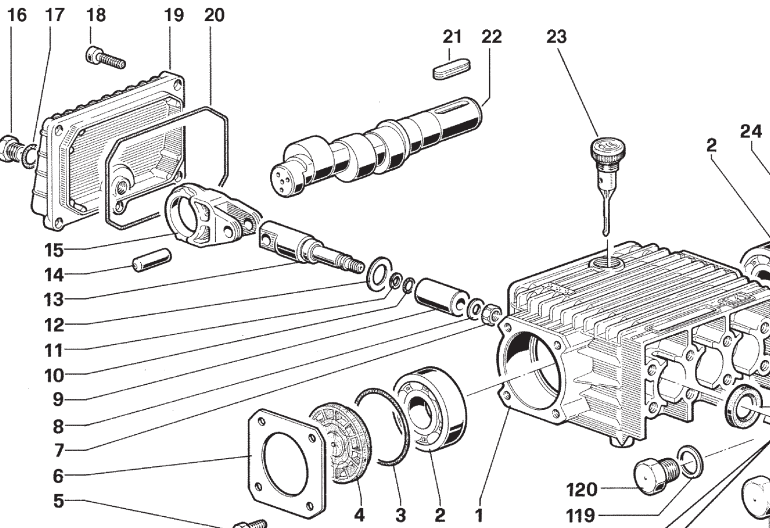
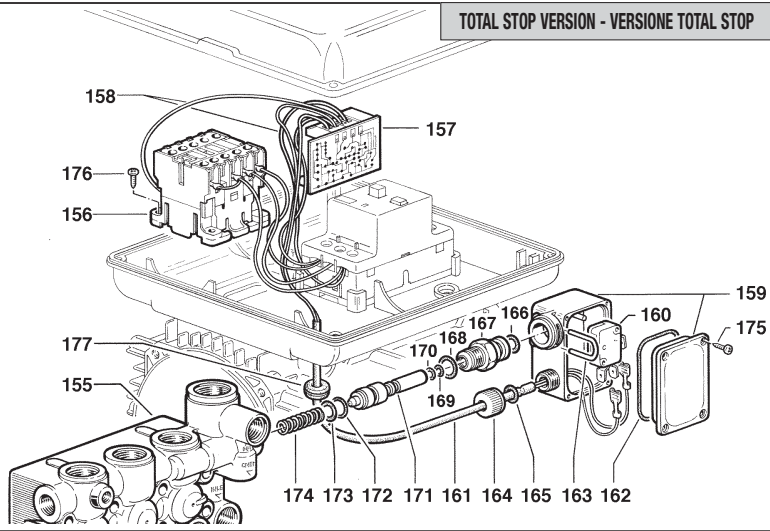
VARAOSALUETTELO

LISTE OVER RESERVEDELER

Λίστα ανταλλακτικών

POS.	CODE CODICE	N. PCS.	POS.	CODE CODICE	N. PCS.	POS.	CODE CODICE	N. PCS.
1	44.0100.22	1	56	92.2935.00	1	108	36.2025.51	6
2	91.8328.00	2	57	36.3186.70	1	109	94.7376.00	6
3	90.4097.00	1	58	43.2101.82	1	110	36.2001.76	6
4	44.2118.01	1	59	10.0501.22	1	111	36.2003.66	6
5	99.1807.00	4		43.3430.02 - TSX14.120 - TSX12.140		112	98.1966.00	1
6	50.1500.74	1	60	43.3450.02 - TSX956	1	113	99.3175.00	8
7	92.2216.00	3		43.3460.02		114	96.7014.00	8
8	44.2115.70	3		43.3231.02 - TSX14.120 - TSX12.140		115	44.1201.41 - 015	1
9	52.0400.09 - 015	3	61	43.3268.02 - TSX961	1		44.1205.41 - 018	
10	90.3572.00	5		43.3261.02 - TSX13.180		116	96.7514.00	1
11	90.5022.00	3		TSX15.150 - TSX17.130		117	98.2176.00	1
12	96.7350.00	3	62	43.3250.02 - TSX956	1	118	90.1614.00	3
13	44.0500.66	3	63	90.4028.00	1	119	96.7380.00	1
14	97.7340.00	3	64	43.2128.51	1	120	98.2100.00	1
15	44.0300.22	3	65	43.2127.51	1	121	51.1000.51 - 015	3
16	98.2041.00	1	66	10.7273.01	1		44.1001.51 - 018	
17	90.3585.00	2		93.5790.00		122	90.2620.00 - 015	3
18	99.1837.00	5	67	93.5179.00 - 400/415V	1		90.2682.00 - 018	
19	44.1600.22	1	68	93.5182.00 - 230/240V	1	123	90.2622.00 - 015	3
20	90.3920.00	1	69	43.2120.51	1		90.2683.00 - 018	
21	91.4892.00	1	70	43.2119.47	1	124	52.2166.70 - 015	3
	44.0200.35 - TSX13.180		71	43.2115.51	1		44.2161.70 - 018	
22	TSX961		72	43.2116.51	1	125	44.0800.70 - 015	3
	44.0203.35 - TSX15.150		73	99.0744.00	4		44.0801.70 - 018	
	TSX12.140 - TSX956		74	99.1580.00	4	126	90.3612.00	3
	44.0206.35 - TSX14.120	1	75	99.1515.00	5	149	90.2617.00 - 015	3
	TSX17.130		76	96.6913.00	1		90.2684.00 - 018	
23	98.2103.00	1	77	91.8372.00	1	<b>TOTAL STOP VERSION - VERSIONE TOTAL STOP</b>		
24	90.1641.00	1	78	90.0850.00	1	155	44.1210.41 - 015	1
25	98.2226.00	5	79	90.4146.00	1		44.1211.41 - 018	1
26	94.5824.00	1	80	42.0300.51	1	156	93.6340.00-400V50/60Hz	1
27	36.7115.01	6	81	43.0400.51	1		93.6342.00-230V50/60Hz	
28	90.3847.00	6	82	90.0655.00	1		93.6344.00 - TSX 961	
29	98.2227.00	1	83	99.1658.00	4	157	93.6415.00-400V50/60Hz	1
30	90.5065.00	1	84	90.3863.00	1		93.6430.00-230V50/60Hz	
31	90.3822.00	2	85	98.2173.00	1	158	10.7374.01	1
32	36.3164.66	1	86	99.1867.00	4	159	10.0610.51	1
33	99.1509.00	1	87	96.6938.00	8	160	93.5415.00	1
34	36.3190.66	1	88	99.1897.00	4	161	10.7375.01	1
35	90.3575.00	2		10.0151.66		162	90.3885.00	1
36	90.5144.00	1	89	10.0307.66 - TSX13.180	1	163	10.0611.66	1
37	90.3600.00	1		90.3832.00		164	92.9740.00	1
38	36.3229.70	1	90	10.0147.70 - M22	1	165	90.3817.00	1
39	36.3231.51	1	91	10.0078.70 - G3/8	1	166	90.3578.00	1
40	94.7485.00	1	92	90.3582.00	2	167	10.0613.70	1
41	36.3230.70	1	93	94.8217.00	1	168	90.3591.00	1
42	90.5025.00	1	94	97.4782.00	2	169	90.5020.00	1
43	36.3234.70	1	95	36.3216.51	1	170	90.3570.00	1
44	90.3820.00	1	96	36.2563.70	1	171	10.0612.70	1
45	90.5052.00	1	97	36.3217.51	1	172	90.3819.00	1
46	90.3857.00	1	98	90.3570.00	3	173	90.5052.00	1
47	36.3228.70	1	99	36.3220.51	1	174	94.7341.00	1
48	36.3233.70	1	100	36.3219.51	1	175	99.0650.00	4
49	94.7345.00	1	101	90.3831.00	1	176	99.0840.00	1
50	94.7436.00	1	102	36.3218.51	1	177	43.2100.47	1
51	36.3169.70	1	103	90.3841.00	7			
52	36.3185.70	1	104	36.3182.51	1			
53	90.3598.00	1	105	92.8925.00	1			
54	99.3054.00	1	106	90.3828.00	1			
55	92.2218.00	1	107	36.2569.51	1			
				92.9828.00	1			

TOTAL STOP VERSION - VERSIONE TOTAL STOP



DIS. COD. 44.9533.00

PISTON - PISTONE Ø 15					
MODEL: TSX13*180 - TSX15*150 - TSX17*130 - TSX961					
KIT N.	KIT 88	KIT 89	KIT 90	KIT 125	KIT 130
Positions Included	122 123 149	124	121	125-126	121-122 123-124 125-126 149
Posizioni Include					
N. pcs.	3	3	6	3	1

KIT N.	KIT 23	KIT 123	KIT 124	KIT 137	KIT 138
Positions Included	118	102-108 109-110 111 (27)	25-28	30-31-32 33-34-35 36-37-38 39-40-41 42-43-44 45	10-17-91 92-93-97 98-99 100-101
Posizioni Include					
N. pcs.	3	6	6	1	1

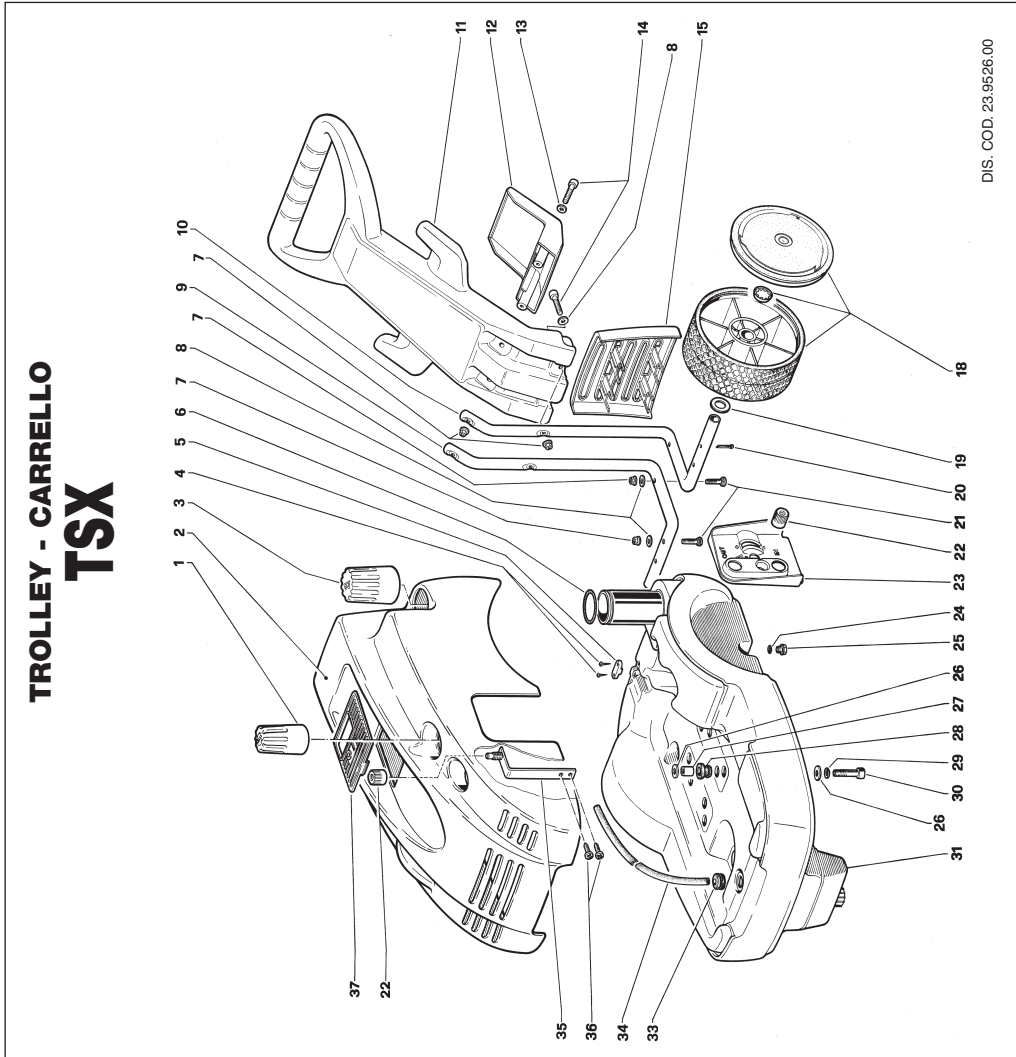
PISTON - PISTONE Ø 18					
MODEL: TSX14*120 - TSX12*140 - TSX956					
KIT N.	KIT 126	KIT 127	KIT 128	KIT 129	KIT 131
Positions Included	125-126	123-122 149	124	121	121-122 123-124 125-126 149
Posizioni Include					
N. pcs.	3	3	3	6	1



# TROLLEY - CARRELLO TSX

- SPARE PARTS LIST
- LISTE DES PIÈCES DE RECHANGE
- AUFLISTUNG DER ERSATZTEILE
- LISTA DE REPUESTOS
- NOMENCLATURA PECAS SOBRESSALENTES
- NOMENCLATURA RICAMBI
- LIJST OVER RESERVEDEILE
- LIJST VERVANGINGSONDERDELEN
- RESERVAALUETTELO
- LISTE OVER RESERVEDELER
- Λίστα ανταλλακτικών

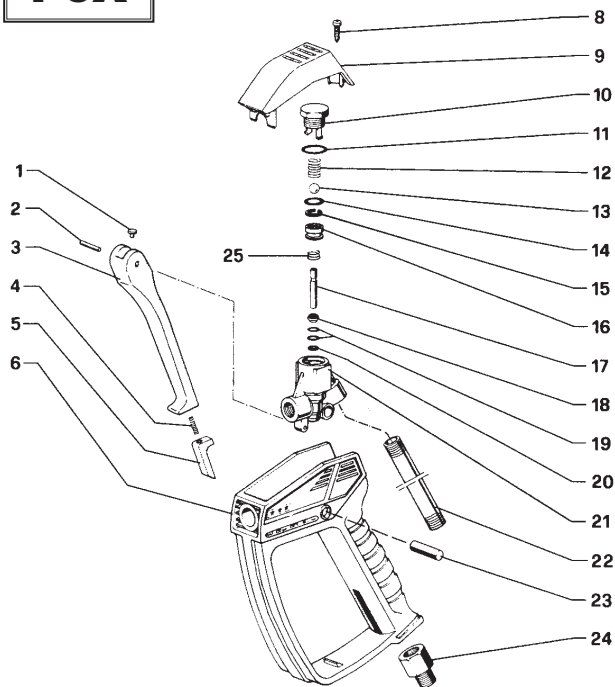
POS.	CODE CODICE	N. PCS.
1	36.3221.51	1
2	23.0178.51	1
3	23.0087.51	1
4	99.1312.00	2
5	23.0095.51	1
6	90.3889.00	1
7	92.2040.00	8
8	96.6962.00	6
9	23.0089.88	1
10	23.0088.88	1
11	23.0093.51	1
12	23.0102.51	1
13	96.6925.00	2
14	99.1943.00	4
15	23.0086.51	1
18	96.9327.00	2
19	96.7521.00	2
20	91.7129.00	2
21	99.1929.00	4
22	52.2122.51	2
23	23.0090.51	1
24	90.3818.00	1
25	98.2041.00	1
26	96.7072.00	8
27	23.0099.70	4
28	23.0098.47	4
29	96.7016.00	4
30	99.3129.00	4
31	23.0092.02	1
33	23.0101.47	1
34	10.0529.98	1
35	23.0192.02	1
36	99.1474.00	2
37	23.0183.51	1



DIS. COD. 23.9526.00

# ACCESSORIES FOR TSX SERIES

## P3X

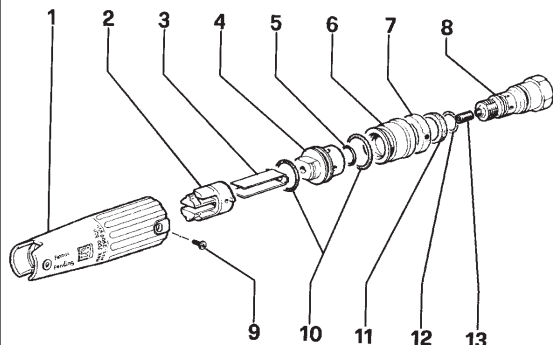


POS.	CODE CODICE	N. PCS.
1	18.2082.64	1
2	97.6143.00	1
3	18.2079.51	1
4	94.7303.00	1
5	18.2050.51	1
6	18.2080.51	1
8	99.0845.00	1
9	18.2081.51	1
10	18.2075.70	1
11	90.3593.00	1
12	94.7342.00	1
13	97.4810.00	1
14	90.3585.00	1
15	90.5068.00	1
16	18.2074.66	1
17	18.2076.66	1
18	18.2077.70	1
19	90.3568.00	2
20	90.5007.00	1
21	18.2073.41	1
22	18.2083.89	1
23	97.6200.00	1
24	ZINA 1/4F	1
25	94.7351.00	1

KIT N.	KIT 116
Position Included	10 - 11 - 12 - 13
Posizioni Incluse	14 - 15 - 16
N. pcs.	1

DIS. COD. 18.9515.00

## "MULTIREG99"

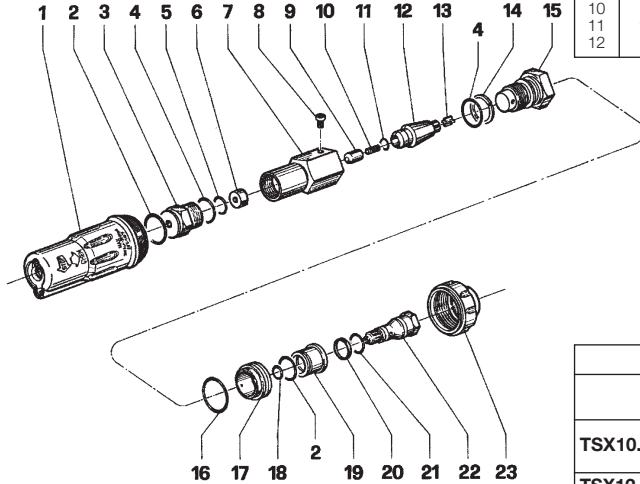


POS.	CODE CODICE	N. PCS.	POSITION 13	
			SERIES	CODE
1	10.0483.51	1	TSX10-130	130
2	10.0299.51	1	TSX12-100	150
3	10.1304.76	1	TSX12-140	140
4	10.0486.70	1	TSX14-120	155
5	90.3819.00	1	TSX13-180	135
6	10.0485.70	1	TSX15-150	155
7	10.0496.70	1	TSX17-130	175
8	10.0484.70	1	TSX951	145
9	99.0702.00	2	TSX954	165
10	90.3845.00	2	TSX957	180
11	90.2680.00	1	TSX961	155
12	90.3828.00	1	TSX956	155

DIS. COD. 10.9526.00

# ACCESSORIES FOR TSX SERIES

## "ROTOTEK"



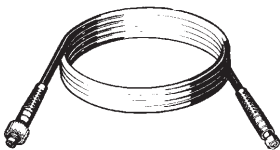
POS.	CODE CODICE	N. PCS.	POS.	CODE CODICE	N. PCS.
1	10.0568.51	1	13	10.0453.51	1
2	90.3845.00	2	14	90.5090.00	1
3	10.0450.70	1	15	Tab. "A"	
4	90.3835.00	2	16	90.3867.00	1
5	90.3585.00	1	17	10.0567.51	1
6	10.0455.09	1	18	90.3819.00	1
7	10.0451.70	1	19	10.0485.70	1
8	99.0702.00	1	20	90.2680.00	1
9	10.0456.09	1	21	90.3828.00	1
10	Tab. "A"		22	10.0484.70	1
11	90.3574.00	1	23	10.0566.51	1
12	10.0564.02	1			

TAB. "A"

SERIES	POS.	SERIES	N. PCS.
TSX10.130 - TSX13.180	10	140	1
	15	10.0472.70	1
TSX12.100 - TSX951 TSX12.140	10	150	1
	15	10.0454.70	1
TSX14.120 - TSX15.150 TSX961 - TSX956	10	160	1
	15	10.0471.70	1
TSX17.130 TSX954 - TSX957	10	175	1
	15	10.0471.70	1

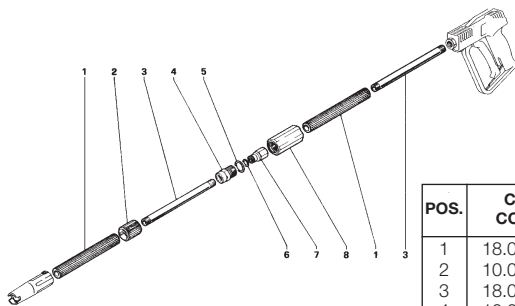
DIS. COD. 10.9545.00

- HIGH PRESSURE HOSE
- TUYAU HAUTE PRESSION
- HOCHDRUCKSCHLAUCH
- TUBO DE ALTA PRESION
- TUBO ALTA PRESSIONE



ORD. CODE: ZXTUBO8 (8 m)

## "TSX LANCE"



POS.	CODE CODICE	N. PCS.
1	18.0126.98	2
2	10.0542.51	1
3	18.0127.89	2
4	10.0120.70	1
5	90.3845.00	1
6	90.3820.00	1
7	10.0534.70	1
8	10.0532.02	1

DIS. COD. 18.9514.00



## BRUSHKIT



ORD. CODE: **ZTXBRUSH**

- ROTATING BRUSH
- BROSSE ROTATIVE
- DREHBARE BÜRSTE
- CEPILLO ROTATIVO
- ESCOVA ROTATIVA
- SPAZZOLA ROTANTE
- ROTERENDE BØRSTE
- ROTERENDE BØRSTEL
- ROTERENDE BORSTE
- PYÖRIVÄ HARJA
- ROTERENDE BØRSTE
- ΠΕΡΙΣΤΡΕΦΟΜΕΝΗ ΒΟΥΡΤΣΑ

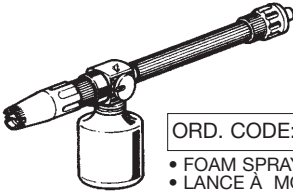
## ROTOTEK KIT



ORD. CODE: **ZTX ROK**

- MULTIFUNCTION ROTATING NOZZLE
- BUSE ROTATIVE MULTIFONCTION
- DREHBARE MEHRZWECKDÜSE
- BOQUILLA ROTATIVA MULTIFUNCIÓN
- BICO ROTATIVO MULTIFUNÇÃO
- UGELLO ROTANTE MULTIFUNZIONE
- ROTERENDE DYSE MED FLERE FUNKTIONER
- MULTIFUNCTIONEEL ROTEREND MONDSTUK
- ROTERENDE MUNSTYCKE
- PYÖRIVÄ MONITOIMISUUTIN
- ROTERENDE MUNNSTYKKE
- ΠΟΛΥΛΕΙΤΟΥΡΓΙΚΟ ΠΕΡΙΣΤΡΕΦΟΜΕΝΟ ΑΚΡΟΦΥΣΙΟ

## FOAMKIT



ORD. CODE: **ZTXFOAM**

- FOAM SPRAYER
- LANCE À MOUSSE
- SCHAÜMLANZE
- LANZA PARA ESPUMA
- LANÇA-ESPUMA
- LANÇIA SCHIUMA
- SKUMLANSE
- SCHUIMTØEVOERDER
- SKUMLANS
- VAAHTOSUUTIN
- SKUMSPRØYTE
- ΠΙΣΤΟΛΕΤΟ ΑΦΡΟΥ

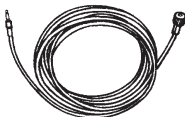
## INTERFOAM



ORD. CODE: **ZDET**

- FOAM DETERGENT
- DÈTERGENT MOUSSANT
- SCHAUMDÈTERGENT
- DÈTERGENTE ESPUMÓGENO
- DÈTERGENTE ESPUMANTE
- DÈTERGENTE SCHIUMOGENO
- SKUMVASKEMIDDEL
- SCHUIMEND REINIGINGSMIDDEL
- SKUMSCHAMPO
- VAAHTOMAINEN PESUAINE
- SKUMVASKEMIDDEL
- ΑΦΡΩΔΕΣ ΑΠΟΡΡΥΠΑΝΤΙΚΟ

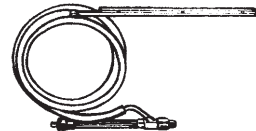
## DRAINKIT



ORD. CODE: **ZTXDRAIN**

- DRAIN CLEANING KIT
- JEU DE NETTOYAGE DES TUBES
- RØHREINIGUNGSKIT
- KIT DE LIMPIEZA DE TUBERÍAS
- ESTOJO LIMPEZA TUBAGENS
- KIT PULIZIA TUBAZIONI
- RØRRENSESÆT
- REINIGINGSSÆT LEIDINGEN
- RØRRENSNINGSSÆT
- LETKUJEN PESUTARVIKKEET
- RØRRENGJØRINGSUTSTYR
- KIT ΚΑΘΑΡΙΣΜΟΥ ΣΩΛΗΝΩΣΕΩΝ

## SANDKIT



ORD. CODE: **ZTXSAND**

- SAND-BLASTING KIT
- KIT DE SABLAGE
- SANDSTRAHLKIT
- KIT ARENADOR
- CABEÇA DE AREIAMENTO
- TESTINA SABBIANTE
- SANDBLÆSNINGSSÆT
- ZANDKOP
- SANDBLÄSTER
- HIEKKAPUHALLUSSUUTIN
- SANDBLÄSER
- ΚΕΦΑΛΗ ΑΜΜΟΒΟΛΗΣ



# INTERPUMP GROUP

---

VIA E. FERMI, 25 - 42049 S. ILARIO - REGGIO EMILIA (ITALY)  
TEL. +39 - 0522 - 904311 - TELEFAX + 39 - 0522 - 904444  
E-mail: [info@interpumpgroup.it](mailto:info@interpumpgroup.it) - <http://www.interpumpgroup.it>