

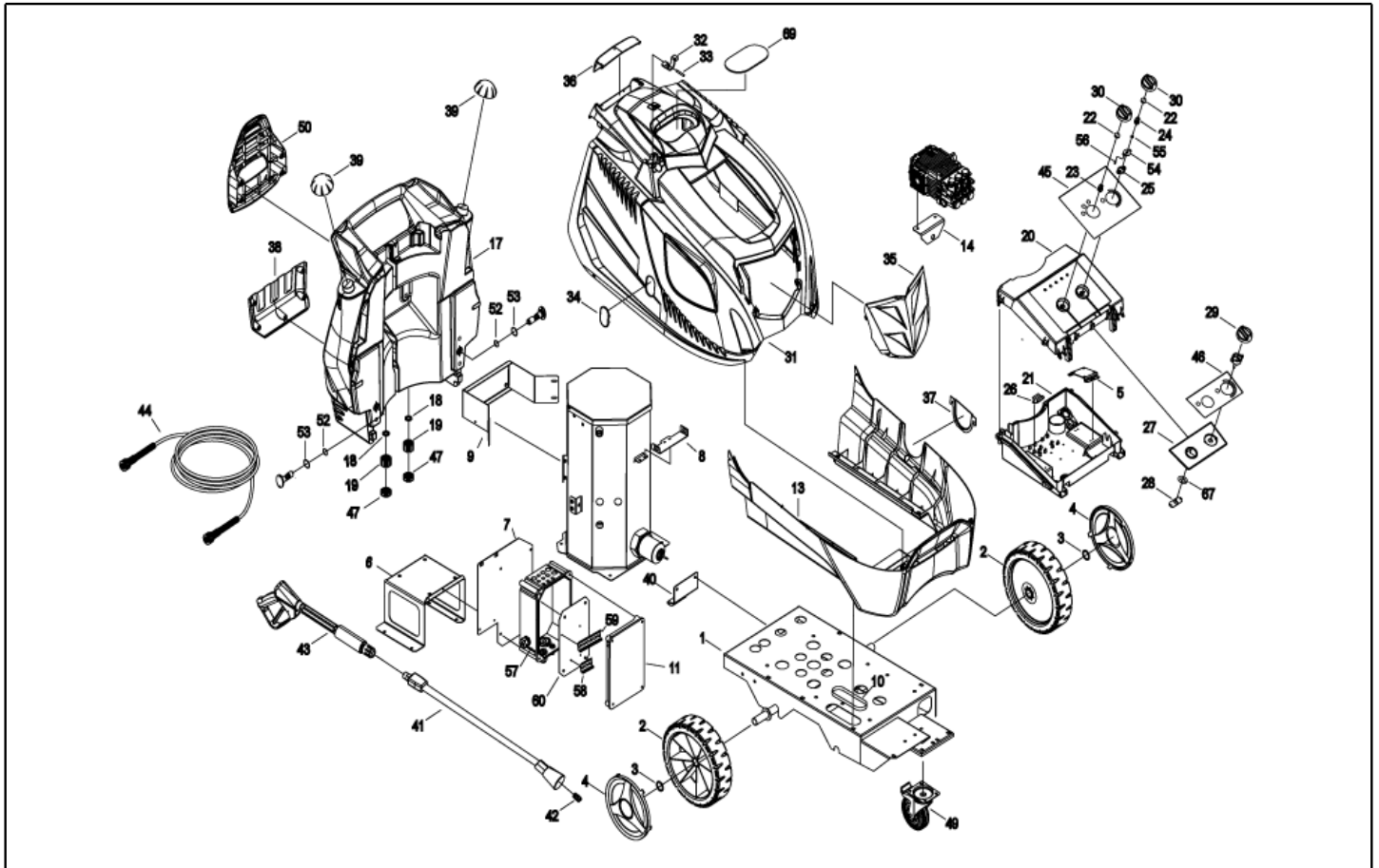


IPC

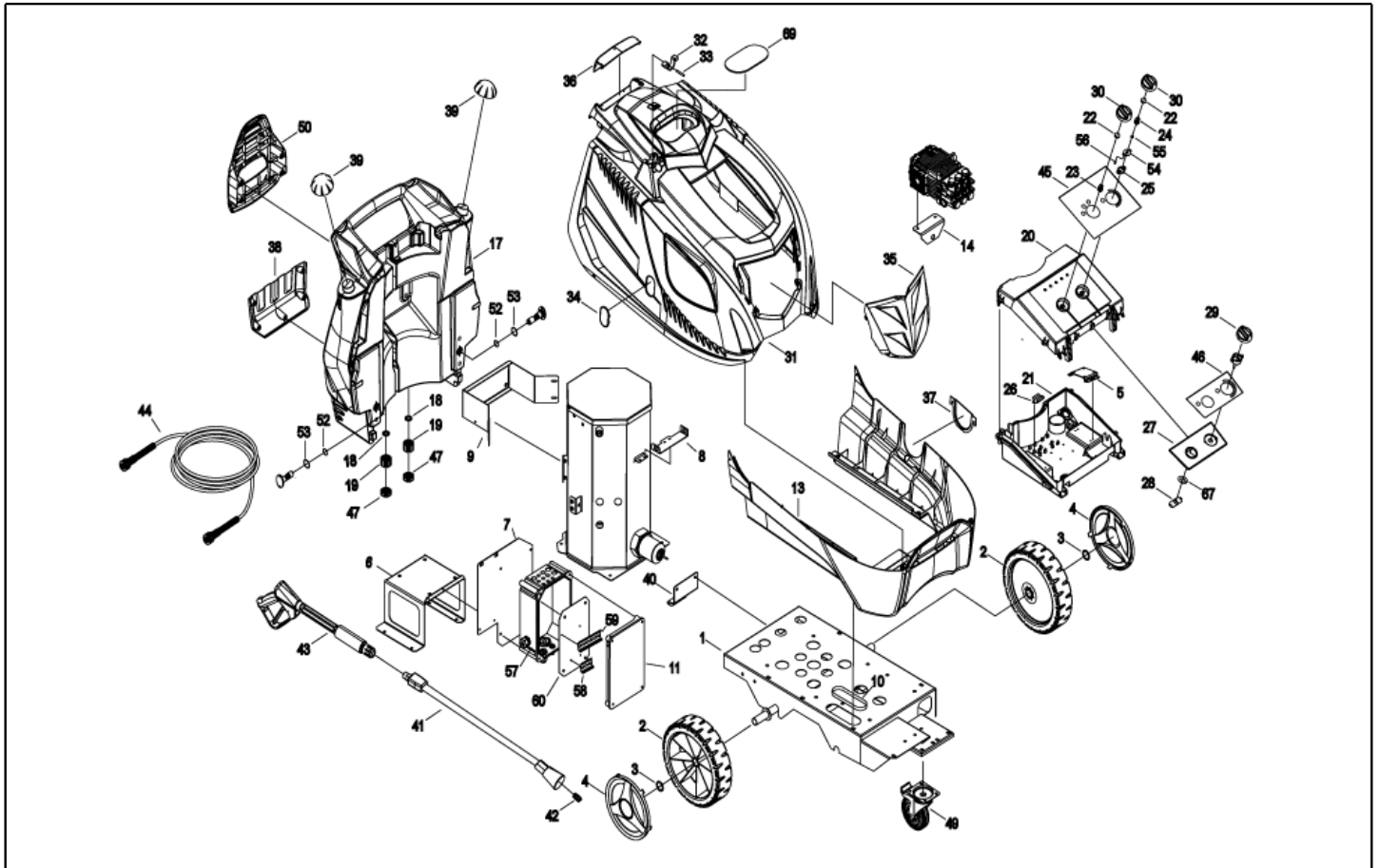
Spare parts list

Ref: IDAC41162

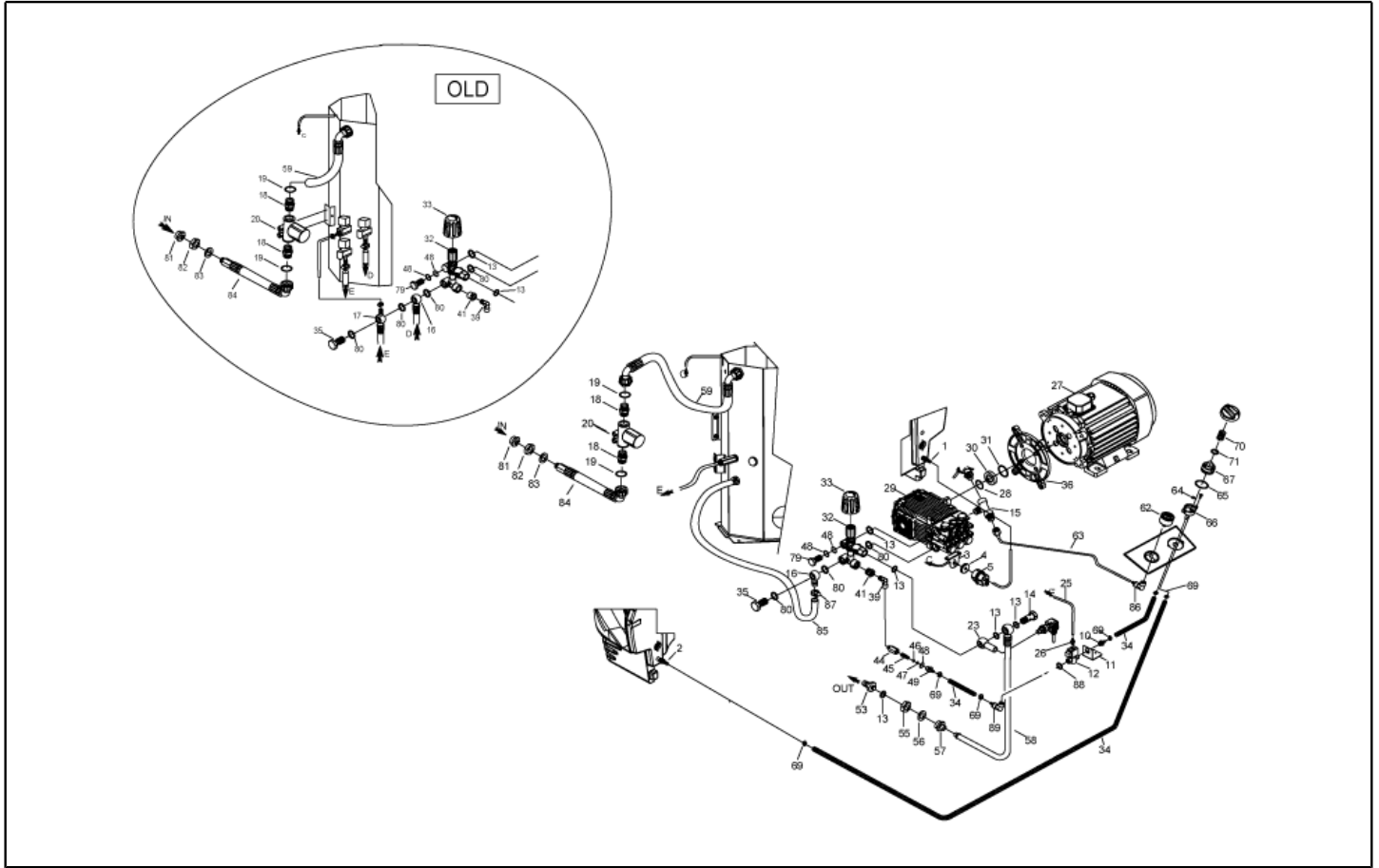
Model: H.P. CLEANER SYNCRON-E D1710P12T400/50



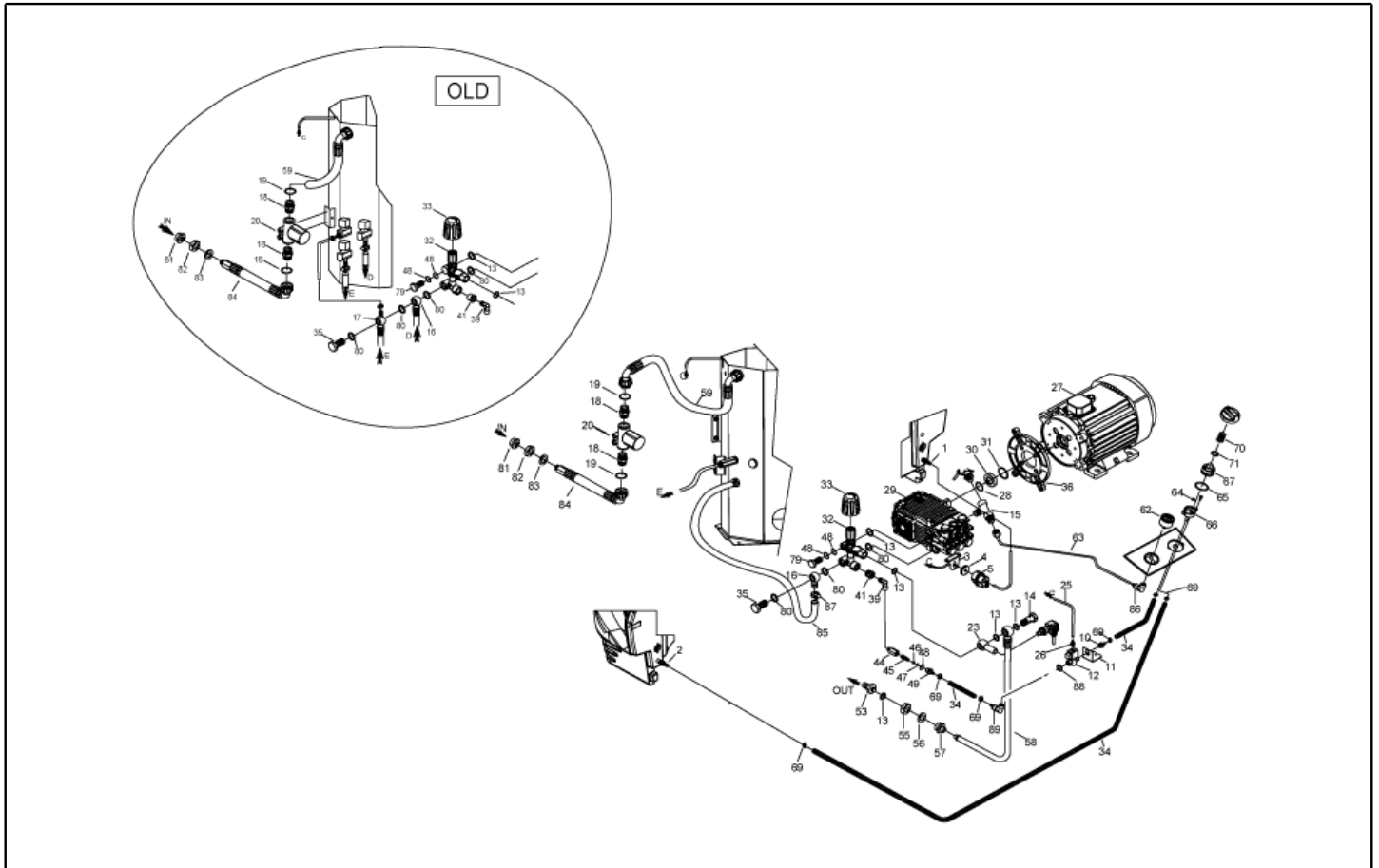
Ref. K	Part n.	Part n. 2	Description	Quantity	Validity		Price
					From	To	
0001	LAFN41131		TROLLEY PW-E100/3W BK.	1,00			--
0002	RTRT40021		WHEEL D.300-D.25 RES A.TR.	2,00			--
0003	VTRS09813		WASHER D.25	2,00			--
0004	MPVR40782		HUB CAP D.50 G-48/IPC BK.	2,00			--
0005	LAFN41165		SUPPORT BRACKET PW-E100 ZC.	1,00			--
0006	LAFN41133		MOTOR SUPPORT PW-E100 ZC.	1,00		31/08/2019	--
0006	LAFN41190		MOTOR SUPPORT PW-E100/7.5 ZC.	1,00	01/09/2019		--
0007	LAFN41134		SUPPORT PW-H100 AN.ZC.	1,00		31/08/2019	--
0007	LAFN41189		SUPPORT PW-H100 AN.7.5 ZC.	1,00	01/09/2019		--
0008	LAFN41173		BRACKET PW-E100 ZC.	1,00			--
0009	LAFN41171		BRACKET PW-E100 ZC	1,00			--
0010	GUVR00408		EDGE H=14	0,22	01/07/2020		--
0011	MEVR71753		COVER NICO	1,00			--
0013	MPVR40774		BLACK COVER PW-H100 INF.PP	1,00			--
0014	LAFN41172		SUPPORT A.CALC. PW-E100 ZC	1,00			--
0017	MPVR40989		TANK PW-E100 PEHD BK.	1,00			--
0018	GUGO11489		GASKET D.22X1,5	2,00			--
0019	PVVR11806		DISCHARGE CAP FLL	2,00			--
0020	MPVR40540		BOX COVER PW-H35 ABS BK.	1,00			--
0021	MPVR40541		CONTROL BOX PW-H35 ABS BK.	1,00			--
0022	GUGO25527		O-RING D. 14 X 3 NBR 70SH	2,00			--
0023	MPVR23482		SWITCH TANG TEC. TUV	1,00			--
0024	MPVR40843		TAIL PIECE THERM.PW-H PL.	1,00	01/11/2016		--
0025	MPVR41903		THICKNESS TERM.IM.PA66	1,00			--
0026	LAFN46067		SUPPORT L.60 P176	1,00			--
0027	MPVR40542		ANT. PANEL PW-H35 ABS BK.	1,00			--
0028	LAFN40922		JUNCTION BOARD PW-H35 D.14 ZC.	1,00	01/03/2017		--
0029	MPVR13685		BLACK KNOB PRT-AC	1,00			--
0030	MPVR49057		BLACK KNOB P176-M.RACE PA6	2,00			--
0031	MPVR40762		RED COVER PW-H100 SUP.PP	1,00			--
0032	MPVR40485		RUBBER PW-H35 15-20BK.	1,00			--
0033	MPVR40534		PIN PW-H35 PP BK.	2,00			--
0034	MPVR40539		DOOR PW-H35 PPL NT.	1,00			--
0035	MPVR40764		DOOR PW-H100 PPL BK.	1,00			--
0036	MFVR21309		COUNTERFLANGE MEC 90-100-112	1,00	01/09/2019		--
0036	MPVR40765		DOOR PW-H100 PT.PPL BK.	1,00			--
0037	MPVR40532		DOOR PW-H35 PPL BK.INF.	1,00			--
0038	MPVR40533		TOOL HOLDER PW-H35 PP BK.	1,00			--
0039	MPVR40187		TANK CAP P215 PEHD C/F.	2,00			--
0040	LAFN40609		FOOT PW-H35/4W	1,00			--
0041	LCPR40087		EXTENSION P 70 -P20.IX700 M22 M	1,00			--
0042	UGLN11196		NOZZLE SPS 1/4 15035	1,00			--
0043	IPPR40025		GRIP G 6000+P.330 +M22 SW.M 2V	1,00			--
0044	TBAP40237		H.P. HOSE R1 MT 10 / 4" C/2 IRV AM	1,00			--



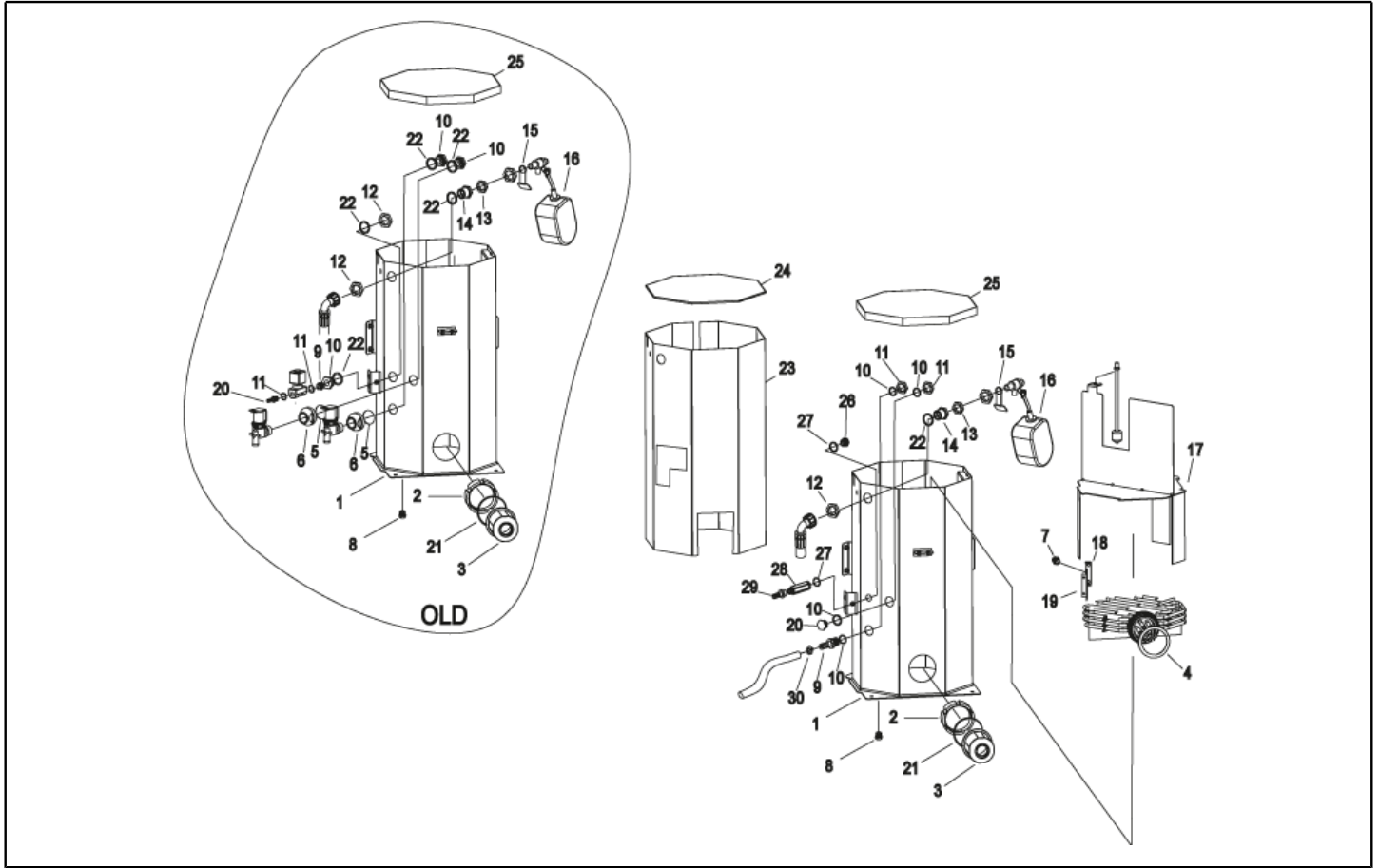
Ref. K	Part n.	Part n. 2	Description	Quantity	Validity		Price
					From	To	
0045	ETET41426		LABEL PW-E100.SCN EL.2V.	1,00			--
0046	ETET40769		LABEL PW-H100.SYNCR.IDR.	1,00			--
0047	MPVR20187		RING NUT M 39 X 3	2,00			--
0049	RTRT40024		TURNING WHEEL D.125 P. A.TR/M.PLS	1,00			--
0050	MPVR40701		HOSE SUPPORT PW-H35 PP BK.	1,00			--
0052	GUGO01056		O-RING D. 18.72 X 2.62 NBR 70SH	2,00			--
0053	GUGO01197		O-RING D. 22.22 X 2.62 NBR 70SH	2,00			--
0054	LAFN40763		PLATE PW-H28 POT. IX	1,00			--
0055	LAFN40916		BUSHING D. 6- 9 L= 8 BZ.SINT.	1,00	01/11/2016		--
0056	VTVR40014		PIN CH. 7 X 10 M4M/M4F NIK.	2,00			--
0057	MEVR40269		BOX NICO PW-E100/12	1,00			--
0058	LAFN46067		SUPPORT L.60 P176	1,00			--
0059	LAFN41148		SUPPORT L.148 PW-E100	1,00			--
0060	LAFN41147		PLATE PW-E100 ZC.	1,00			--
0067	LAFN40921		PLATE PW-H35 D.14 ZC.	1,00	01/03/2017		--
0069	MPVR40996		PLUGGING PW-E100 ABS.BK	1,00			--



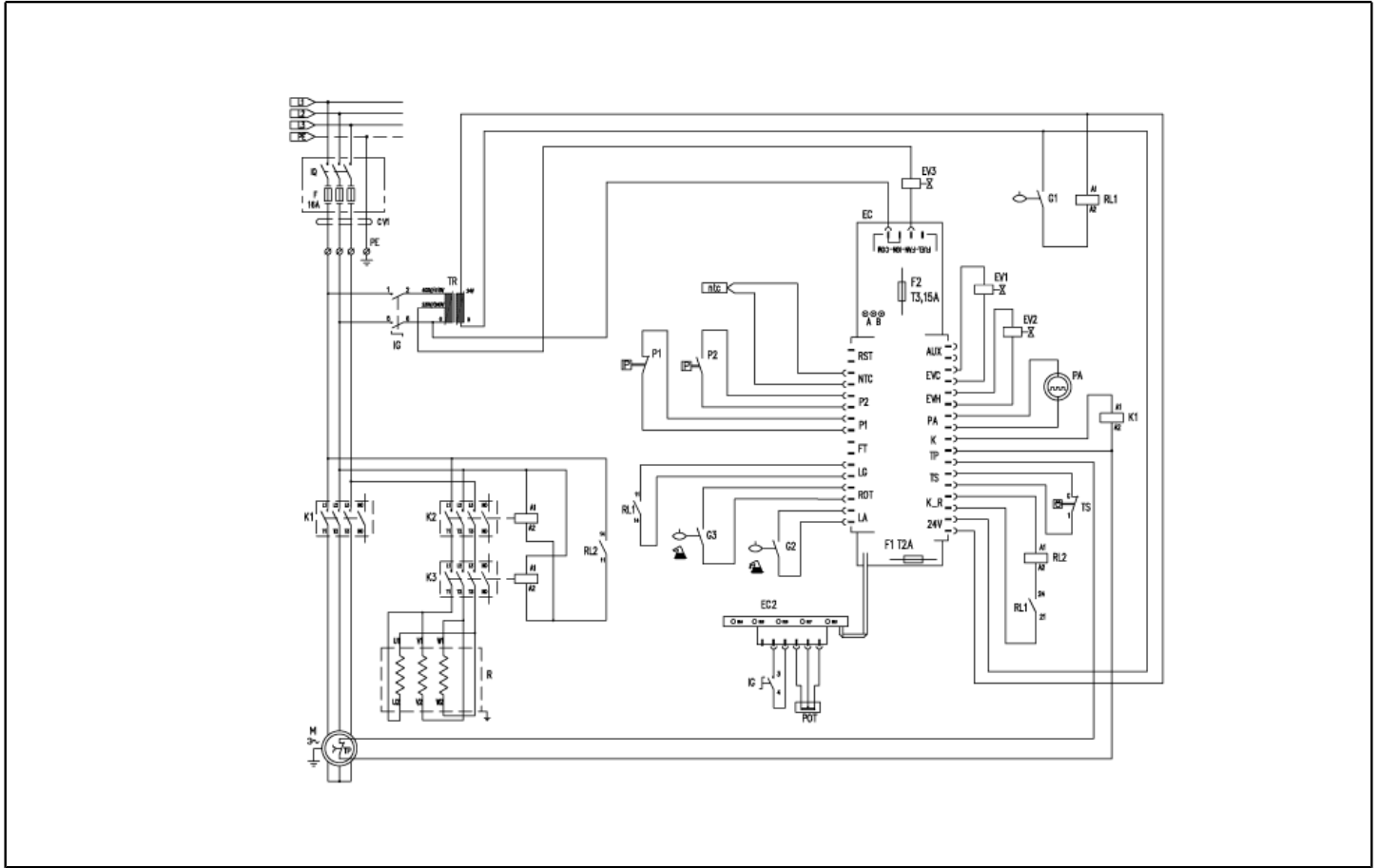
Ref. K	Part n.	Part n. 2	Description	Quantity	Validity		Price
					From	To	
0001	RCVR40210		BI-CONE CONNEC. DTT 1/8" M CL D. 4/ 7 INX	1,00			--
0002	RCVR40113		HOSE FITTING 1/8 M D. 5- 7 NIK	1,00			--
0010	RCDS00626		HOSE FITTING 1/4 M D. 5- 7	2,00			--
0011	LAFN41220		BRACKET PW-E100 ZC.	1,00			--
0012	MEEV14389		BODY 1/4"SCEM PM139LV	1,00			--
0013	VTRS00548		WASHER D.17,5X23X1,5 (3/8)RM	1,00			--
0013	VTRS00548		WASHER D.17,5X23X1,5 (3/8)RM	1,00			--
0013	VTRS00548		WASHER D.17,5X23X1,5 (3/8)RM	2,00			--
0014	RCDS14384		SCREW G 3/8 VSP 180	1,00			--
0015	RCDS40177		CONNECTOR T 3/8M - 1/4 M/F OT. CN.	1,00			--
0016	RCDS40301		CONNECTOR O. 1/2 - 7.0-16 OT.	1,00			--
0017	RCDS08496		CONNECTOR O. 1/2 - 7-16+5-7 ZC	1,00		31/01/2020	--
0018	RCVR40006		NIPPLE 3/4 - 3/4 D.18 L=60 PPL	2,00			--
0019	GUGO01043		O-RING D. 25.07 X 2.62 NBR 70SH	2,00			--
0020	FTAC40015		WATER FILTER 3/4 FF 100MS 55L/1 TC	1,00			--
0023	RCDS40692		CONNECTOR O. 3/8 - G1/4F L=28.5	1,00			--
0026	RCDS29082		HOSE FITTING 1/8 F D. 7 EL.KS 610	1,00			--
0027	MOTR40020		3PH MOTOR AC HP 6.0 2/440-H100 K.8M	1,00		31/08/2019	--
0027	MOTR40039		3PH MOTOR 176 HP7.5 23-400/50C RR/K	1,00	01/09/2019		--
0028	GUGO21337		O-RING D. 25.07 X 2.62 VIT 70SH	1,00			--
0029	PPAP40159		PUMP RRA 3.5G25 DX N C/AC 70°	1,00			--
0030	RCDS25578		BUSHING IP WW141 OT.	1,00			--
0031	GUGO21339		O-RING D. 29.82 X 2.62 VIT 70SH	1,00			--
0032	VVAZ40100		VALVE VRF-2 AR-R AC Vit.S/I.RG	1,00			--
0033	MPVR40589		BLACK KNOB ST 260 IPC	1,00			--
0034	TBBP00051		DETERGENT HOSE D. 6-12	1,20	01/01/2017		--
0034	TBBP00051		DETERGENT HOSE D. 6-12	0,77	01/01/2017		--
0035	RCDS40254		SCREW G 1/2 VRF-2 D.11.5 IX	1,00	01/02/2020		--
0035	RCDS40297		SCREW G 1/2 L=97 D.11.5 IX	1,00		31/01/2020	--
0039	RCVR00573		ELBOW 1/4" M/F A10	1,00			--
0041	RCVR02606		REDUCTION 1/2-1/4 M/F	1,00			--
0044	RCDS46072		VALVE BODY N/R 1/4F-1/4 P176 OT	1,00			--
0045	MLML21505		SPRING D. 8 X5 X0.3	1,00			--
0046	SFVR04274		BALL D. 7/32	1,00			--
0047	GUGO01055		O-RING D. 5.28 X 1.78 VIT 70SH	1,00			--
0048	GUGO03510		O-RING D. 12.37 X 2.62 NBR 70SH	2,00			--
0049	RCDS10546		VALVE SEAT 1/4M + PG. D.3-7.5 OTT	1,00			--
0053	RCIN09348		MALE COUPLING 3/8MA L=32	1,00			--
0055	RCVR59738		LOCKNUT G 3/4	1,00			--
0056	VTRS11876		WASHER D.27 X34 X1.5 (3/4)COPPER	1,00			--
0057	RCDS40298		SLEEVE 3/4-3/8 M-M/F OT.	1,00			--
0058	TBAP40236		HOSE-FITTING 5/16 R1 3/8OC. -3/8F 0°	1,00			--
0059	TBBP40149		L.P. HOSE L=300 3/4F 0° -3/4F90°	1,00			--
0059	MEPD25575		DESCALING PUMP NME-1 24V CPL.	1,00			--



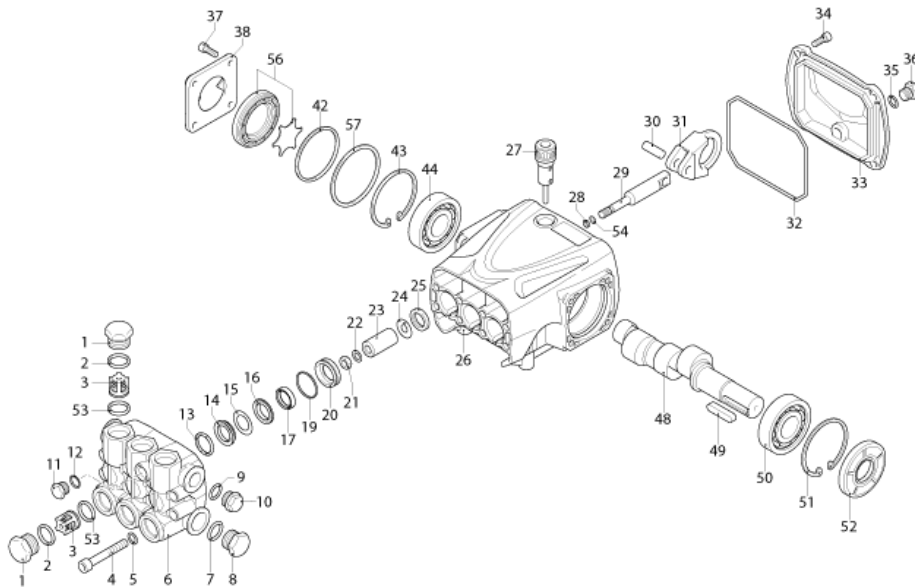
Ref. K	Part n.	Part n. 2	Description	Quantity	Validity		Price
					From	To	
0062	MNMN18650		PRESSURE GAUGE 0-300 D.40	1,00			--
0063	TBAP40113		POLYAMIDE HOSE L=420 1/4F GR.-1/8F MN.	1,00			--
0064	GUGO08071		O-RING D. 4.48 X 1.78 NBR 70SH	1,00	01/01/2017		--
0065	GUGO12183		O-RING D. 23.4 X 3.53 VIT 70SH	1,00	01/01/2017		--
0066	RCGR08069		TAP BODY DET. PRT	1,00	01/01/2017		--
0067	RCGR08070		ADJUSTER PRT	1,00	01/01/2017		--
0069	FSVR00427		CLAMP D. 12 CLIC 66-110	2,00	01/01/2017		--
0070	MLML08068		SPRING D.1,5 L.23	1,00			--
0071	VTRS00542		WASHER D.14X20	1,00			--
0079	RCDS40172		SCREW 3/8 VRF-2 OT 4F.	1,00			--
0080	VTRS00549		WASHER D.21,5X27X1.5 (1/2) RM	3,00			--
0081	RCDS28900		SLEEVE 3/4-1/2 M/F MTH	1,00			--
0082	RCDS49875		RING NUT 1/2"X 6 CH.27 OT.	1,00			--
0083	VTRS00549		WASHER D.21,5X27X1.5 (1/2) RM	1,00			--
0084	TBBP40123		L.P. HOSE L= 960 3/4F90°-1/2M 0°	1,00			--
0085	TBBP40019		L.P. HOSE D.15.8-24 EPDM 20 BAR	0,62			--
0087	FSVR00431		CLAMP D. 16-25	2,00			--
0088	VTRS04931		WASHER COPPER D.13X19X1.5	1,00			--
0089	RCVR00573		ELBOW 1/4" M/F A10	1,00	16/07/2020		--



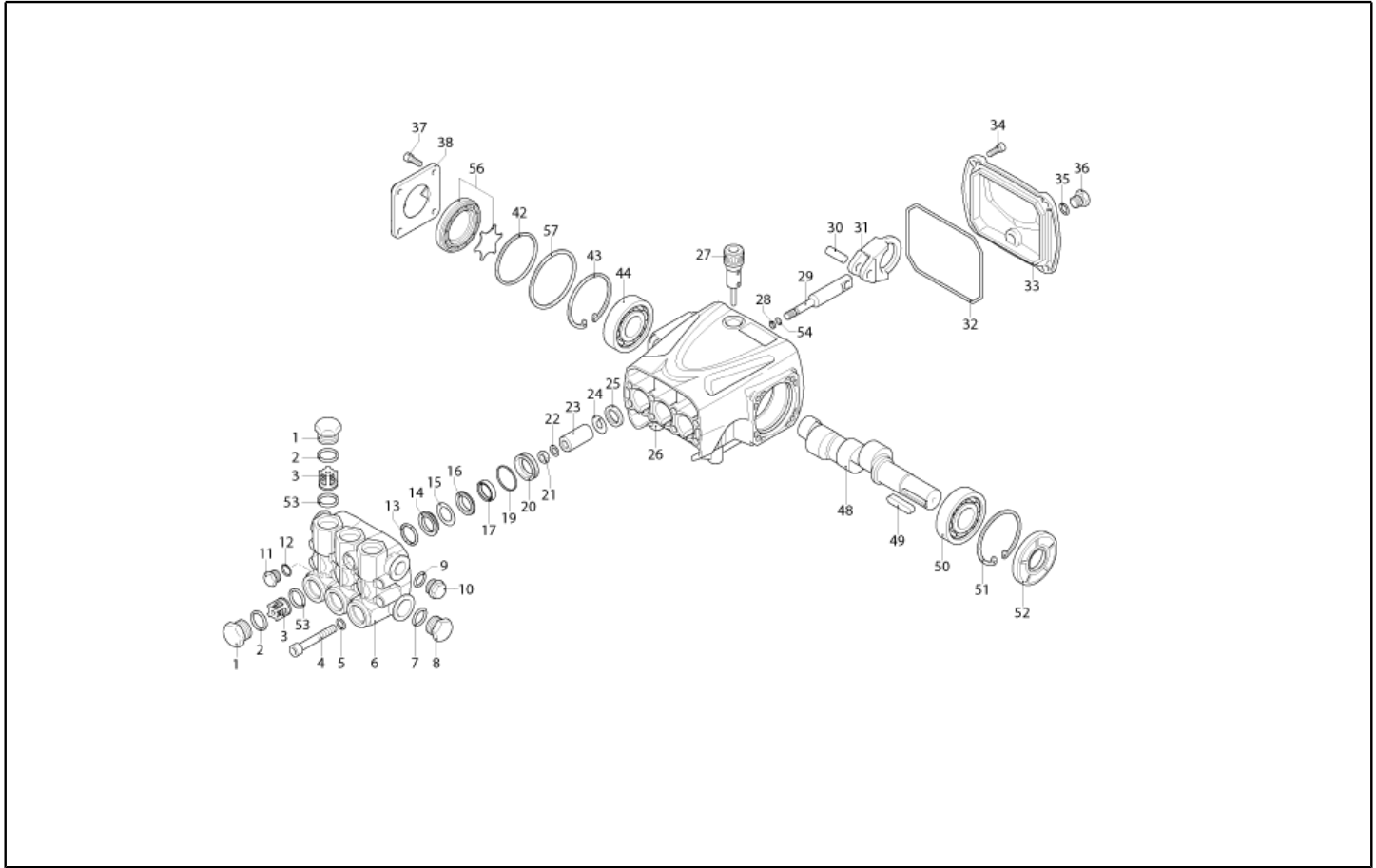
Ref. K	Part n.	Part n. 2	Description	Quantity	Validity		Price
					From	To	
0001	LAFN41135		CYLINDER PW-E100 INX.	1,00			--
0002	RCDS40292		RING NUT 2"1/2 CH.85 ZC.	1,00			--
0003	MPVR40991		CAP PW-E100 PA6	1,00			--
0004	GUVR40129		GASKET D.72.5X88 X3 PTFE/E	1,00			--
0007	MEVR40254		CONNECTOR G.1/4M D.6 TEF.	1,00			--
0008	RCVR40046		CAP 1/4 M OT.NIK EI D. 6	1,00			--
0009	RCVR73008		HOSE FITTING 1/2 D.17 454/A	1,00			--
0010	VTRS00549		WASHER D.21.5X27X1.5 (1/2) RM	4,00			--
0011	RCDS21223		RING NUT 1/2" X 5 NIK	2,00			--
0013	RCDS40105		LOCKNUT G 3/8 ES.19 SP.4 OT	1,00			--
0014	RCDS40291		RING NUT G 3/4 PW-E100 OT.	1,00			--
0015	LAFN41137		PANEL PW-E100 INX	1,00			--
0016	RCGR40023		TAP G 3/8M D.8 OT. E100	1,00	20/07/2019		--
0016	RCGR40021		BALL GL. 3/8 RM 100°C	1,00			--
0017	LAFN41132		BULKWARD PW-E100 IX	1,00			--
0018	LAFN41139		SUPPORT PW-E100 IX	1,00			--
0019	LAFN41140		BRACKET NTC PW-E100 IX	1,00			--
0020	RCDS01091		CAP 1/2X10 M	1,00			--
0021	GUGO02261		O-RING D. 71.12 X 2.62 NBR 70SH	1,00			--
0022	VTRS11876		WASHER D.27 X34 X1.5 (3/4)COPPER	1,00			--
0023	ITTE40014		PROTECTION PW-E100 CIL.	1,00			--
0024	ITTE40015		PROTECTION PW-E100 COP.	1,00			--
0025	LAFN41136		COVER PW-E100 IX	1,00			--
0026	RCDS40307		CAP 1/4X 9 M C/F.d.7	1,00			--
0027	VTRS04931		WASHER COPPER D.13X19X1.5	2,00			--
0028	FTAC40016		WATER FILTER 1/4 MF HP	1,00			--
0029	RCVR40213		HOSE FITTING 1/4 F D. 7 OT.NIK	1,00			--



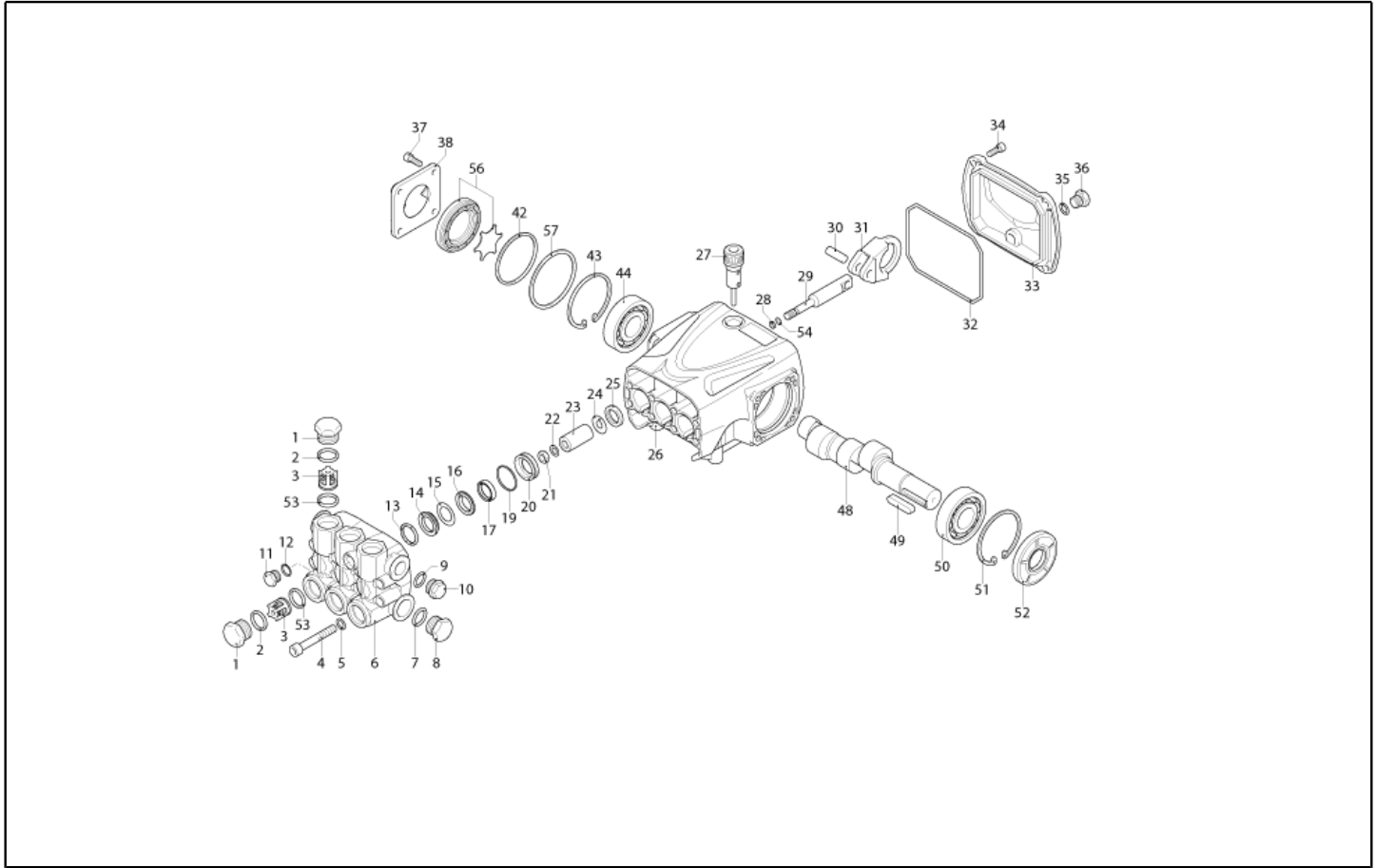
Ref. K	Part n.	Part n. 2	Description	Quantity	Validity		Price
					From	To	
R	MEVR40233		RESISTANCE 2.5*OT/IX. 12.0KW T 400V	1,00			--
CV1	MECB40433		CABLE N.588 H07RNF 4X6 L.7.500	1,00			--
EC1	MECE40088		PCB PW-E100 TSI+CO+VRT 5.2	1,00		31/01/2020	--
EC1	MECE40092		PCB PW-E100 TSI+CO+VRT 2V.5.2	1,00	01/02/2020		--
EV1	MEBE29000		COIL SCEM ZB14-24V AC	1,00			--
EC2	MECE40089		PCB LED PW 5 GR. FLT/BLT	1,00			--
G1	MECI40055		SWITCH REED N.C. H210 IX	1,00			--
G2.3	MECI40006		SENSOR LEVEL S1.PML.XD.FPJ FST.	2,00			--
IG	MECI40017		COMMUTAT.SWITCH 0-1-2 UN.	1,00			--
K1	METT40008		CONTACTOR SIE 3RT 2016-1AB01 24V	1,00			--
K2,3	METT40044		CONTACTOR SIE 3RT 2016-1AV01 400V	2,00			--
NTC	MEVR40253		PROBE NTC/10K B2585 IP68	1,00			--
POT	MEVR40149		POTENTIOMETER VSH P11S1V0FLSY 5/10K LN.	1,00			--
P1,2	MEPF71856		PRESSURE SWITCH PR 5 1/4M 15BAR	2,00			--
RL1	MERL40001		SWITCH RELAY FIND 40.52 2SC. 8A 24VAC	1,00			--
RL2	MERL40007		SWITCH RELAY FIND 40.31 1SC.10A 24VAC	1,00			--
TR	METR41580		TRANSFORMER 50VA 400-230/50V	1,00			--
TS	METK40023		THERMOSTAT 105°C TU F RM 20(5)A 250V	1,00			--



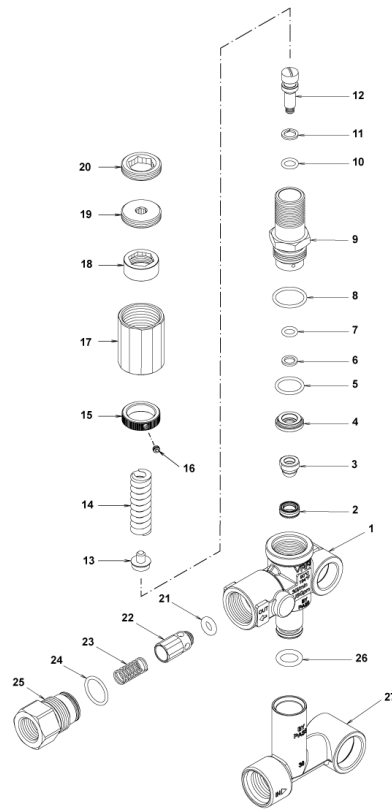
Ref. K	Part n.	Part n. 2	Description	Quantity	Validity		Price
					From	To	
0001	PVVR40161		CAP AR RR	6,00			--
0002	GUGO03502		O-RING D. 17.86 X 2.62 NBR 70SH	6,00			--
0003	S VVAM40003		VALVE UNIT RR	6,00			--
0004	VTVT63018		SCREW TCEI M 8X55 ZC U.5931	8,00			--
0005	VTRS14242		WASHER D. 8.4X13X0.8 UNI7064 SCH	8,00			--
0006	MFVR40028		HEAD AR RR OT.	1,00			--
0007	GUGO19245		O-RING D. 17.5 X 2 NBR 70SH	1,00			--
0008	PVVR40121		CAP 1/2 M RC	1,00			--
0009	GUGO09720		O-RING D. 14 X 1.78 NBR 70SH	1,00			--
0010	PVVR40099		CAP 3/8 M HRM	1,00			--
0011	PVVR40129		CAP 1/4 M RC	1,00			--
0012	GUGO01036		O-RING D. 10.82 X 1.78 NBR 70SH	1,00			--
0013	S PVVR40122		HEAD RING D. 18 RC	3,00			--
0014	S GUVR40119		PACKING D. 18 RC/70 H.P.	3,00			--
0015	S GUVR40043		ANTI-EXTR.RING D.18X28	3,00			--
0016	S PVVR40162		INTERMED. RING D. 18 RR	3,00			--
0017	S GUVR40120		PACKING D. 18 RC/70 L.P.	3,00			--
0019	S GUGO19290		O-RING D. 23.52 X 1.78 NBR 70SH	3,00			--
0020	S PVVR40163		PACKING RETAIN. D. 18 RR	3,00			--
0021	VTDD00483		NUT M 8 ZIN UNI 5588	3,00			--
0022	VTRS19394		WASHER D. 8X13X0.5	3,00			--
0023	S PIVR40007		PISTON D.18 RR	3,00			--
0024	PVVR19233		DISC XTS	3,00			--
0025	S GUGO09690		OIL SEAL 15X 24X 5 NBR70	3,00			--
0026	MFVR40030		PUMP CRANKCASE AR RR	1,00			--
0027	PVVR19231		OIL CAP XTS	1,00			--
0028	GUGO08071		O-RING D. 4.48 X 1.78 NBR 70SH	3,00			--
0029	PVVR40176		PISTON GUIDE RR	3,00			--
0030	PVVR40178		GUDGEON D. 9 RR	3,00			--
0031	BLVR40002		CONNECTING ROD RR	3,00			--
0032	GUGO40017		O-RING D. 107.62 X 2.62 NBR 70SH	1,00			--
0033	MFVR40029		CRANKASE COVER AR RR	1,00			--
0034	VTVT09913		SCREW TCEI 6X16 UNI5931	4,00			--
0035	GUGO01036		O-RING D. 10.82 X 1.78 NBR 70SH	1,00			--
0036	PVVR40129		CAP 1/4 M RC	1,00			--
0037	VTVT09913		SCREW TCEI 6X16 UNI5931	4,00			--
0038	MFVR40021		CRANKASE COVER AR RC LT.	1,00			--
0042	GUGO09030		O-RING 56X82 X2.62 - NBR	1,00			--
0043	VTAE10405		CIRCLIP D. 62 UNI 7437	1,00			--
0044	CUVR09654		BALL BEARING 6305	1,00			--
0048	ALMO40054		SHAFT AR RR 3.5G VRS. N	1,00			--
0049	VTVR41531		KEY 8X 7X35 UNI 6604A	1,00			--
0050	CUVR09654		BALL BEARING 6305	1,00			--
0051	VTAE10405		CIRCLIP D. 62 UNI 7437	1,00			--



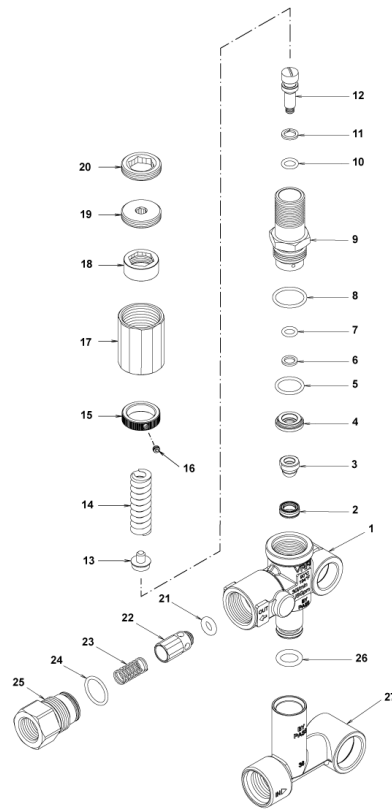
Ref. K	Part n.	Part n. 2	Description	Quantity	Validity		Price
					From	To	
0052	S	GUGO40018	OIL SEAL 25X 62X 8 NBR70	1,00			--
0053	S	GUGO02259	O-RING D. 15.54 X 2.62 NBR 70SH	6,00			--
0054		GUVR40044	ANTI-EXTR.RING D. 5 X 8 X1	3,00			--
0056		PVVR40473	OIL INDICATOR RR CPL.	1,00			--
0057		PVVR40566	RING D. 61.8 X57.8 X0.5	1,00			--



Ref. Part n.	Part n. 2	Description	Reference	Price
KTRI40095		KIT P 15-42903 D.18 RC	0013	--
KTRI40142		KIT P 15-42909 RR	0003 0053	--
KTRI40143		KIT P 15-42904 D.18 RR	0023	--
KTRI40144		KIT P 15-42922 RR	0025 0052	--
KTRI40336		KIT P 15-43193 AC.70°C D.18 RR	0013 0014 0016 0017 0019 0020	--



Ref. K	Part n.	Part n. 2	Description	Quantity	Validity		Price
					From	To	
0001	PVVR40362		VALVE BODY VRF2	1,00			--
0002	S PVVR40363		VALVE SEAT MV124 +OR	1,00			--
0003	S PVVR40364		COUPLING MV124	1,00			--
0004	S PVVR40365		SPACER MV124	1,00			--
0005	S GUGO12322		O-RING D. 14 X 1.78 NBR 90SH	1,00			--
0006	S GUVR40072		ANTI-EXTR.RING D. 6.5X 9.4	1,00			--
0007	S GUGO10330		O-RING D. 6.07 X 1.78 VIT 70SH	1,00			--
0008	S GUGO24913		O-RING D. 17.17 X 1.78 NBR 90SH	1,00			--
0009	S PVVR40388		CONNECTOR VRF2 RG.165 56A	1,00			--
0010	S GUGO03497		O-RING D. 6.75 X 1.78 VIT 80SH	1,00			--
0011	S GUVR40073		ANTI-EXTR.RING D. 7.1X10 X1.2 TBT	1,00			--
0012	S PVVR40367		SMALL PISTON D.10 VRF2	1,00			--
0013	S PVVR40368		SPRING PLATE MV124 25B	1,00			--
0014	S MLML47987		SPRING D. 3.25X41.1 MV 625	1,00			--
0015	S PVVR40369		RING NUT MV167.09	1,00			--
0016	S VTVT89696		SCREW EI-ST 4X 4 UNI5927 ZC	1,00			--
0017	S PVVR47989		CAP MV 625 REG.	1,00			--
0018	S PVVR47990		RING NUT MV 625 REG.	1,00			--
0019	S PVVR47991		REGISTER MV 625 REG.	1,00			--
0020	S PVVR47992		CLAMP MV 625 REG.	1,00			--
0021	GUGO27030		O-RING D. 6 X 3 VIT 70SH	1,00			--
0022	PVVR40349		COUPLING VRT3	1,00			--
0023	MLML40026		SPRING VRT3	1,00			--
0024	GUGO12321		O-RING D. 15.6 X 1.78 NBR 90SH	1,00			--
0025	PVVR40350		CONNECTOR VRT3 G 3/8F	1,00			--
0026	GUGO08606		O-RING D. 10.78 X 2.62 VIT 80SH	1,00			--
0027	PVVR40373		CONNECTOR VRF2.24	1,00			--



Ref. Part n.	Part n. 2	Description	Reference	Price
KTRI40530		KIT P 14-118 VRF2-HT	0002 0003 0004 0005 0006 0007 0008 0009 0010 0011 0012 0013 0014 0015 0016 0017 0018 0019 0020	--



Ref. K	Part n.	Part n. 2	Description	Quantity	Validity		Price
					From	To	
0001	PVVR40381		GUN BODY G 5100 G1/4F	1,00			--
0002	S	GUVR40074	ANTI-EXTR.RING D. 3 X 7.4X1.3	1,00			--
0003	S	GUGO21835	O-RING D. 2.84 X 2.62 VIT. 80SH	1,00			--
0004		PVVR40382	PISTON GUIDE G 5100	1,00			--
0005	S	PVVR40563	BALL SEAT AL36 G6000 + OR	1,00			--
0006	S	SFVR40004	BALL D. 5/16" ALL.GR16	1,00			--
0007		MLML40047	SPRING D. 9.4 x23.5x1.6 G6000	1,00			--
0008		GUGO12322	O-RING D. 14 X 1.78 NBR 90SH	1,00			--
0009		PVVR40383	CONNECTOR COLL.G5100 1/4F	1,00			--
0010		VTRS40017	WASHER D. 8.2X11,4X1.00	4,00			--
0011		PVVR40384	TUBE G 1/4" L.105	1,00			--
0012		RCIN40022	CONNECTOR SWIV G5100 1/4F	1,00			--
0013		MPVR40967	RING NUT G 6000 SW. GR.	1,00			--
0014		RCIN40021	JOINT SWIV 5100 M22	1,00			--
0015	S	GUVR40075	ANTI-EXTR.RING D. 10 X14X1.5	1,00			--
0016	S	GUVR40076	ANTI-EXTR.RING D. 11.2X14X1.2	1,00			--
0017	S	GUGO15295	O-RING D. 10.82 X 1.78 VIT 75SH	1,00			--
0018		PVVR40386	SCREW SW. G 5100	1,00			--
0019		VTVR40047	PLUG D. 4X29	2,00			--
0020		MPVR40820	TRIGGER G 6000-SW	1,00			--
0021		MPVR40821	SAFETY-DEVICE G 6000-SW	1,00			--
0022		MPVR40822	SHELL G 6000-SW DX	1,00			--
0023		MPVR40968	PLATE G 6000/2 GR.DX	1,00			--
0024		PVVR40564	SMALL PISTON G 6000 AL36 SP.	1,00			--
0025		MLML40029	SPRING G 5100	1,00			--
0026		MPVR40824	SHELL G 6000-SW SX	1,00			--
0027		MPVR40825	PLATE G 6000 GR.SX	1,00			--
0028		VTVT40043	SCREW AF 4X 14 HILO ZN.N	12,00			--
0029		LCPR40181	TUBE 1/4 L=416 ZC. 0°	1,00			--
0030		MPVR40493	CONNECTOR G 5100-SW	1,00			--
0031		MPVR40494	PROTECTION P 420 C/AN.	1,00			--
0035		MPVR40198	CAP G 5000	1,00			--
0036		MPVR40495	CAP G 5100 REM.	1,00			--
0037		PVVR40119	CONNECTION M22X1,5 IRV G5000	1,00			--
0038		RCIN40048	GUDGEON G 1/4 F IRV G6000/2	1,00			--
0039		GUVR40034	ANTI-EXTR.RING D. 10 X14	1,00			--
0040		GUGO63555	O-RING D. 9.3 X 2,4 VIT 75SH	1,00			--



Ref. Part n.	Part n. 2	Description	Reference	Price
KTRI40243		KIT P 26- 26 SWIVEL G 5100	0015 0016 0017	--
KTRI40513		KIT P 26- 36 G 6000/II	0002 0003 0005 0006	--