

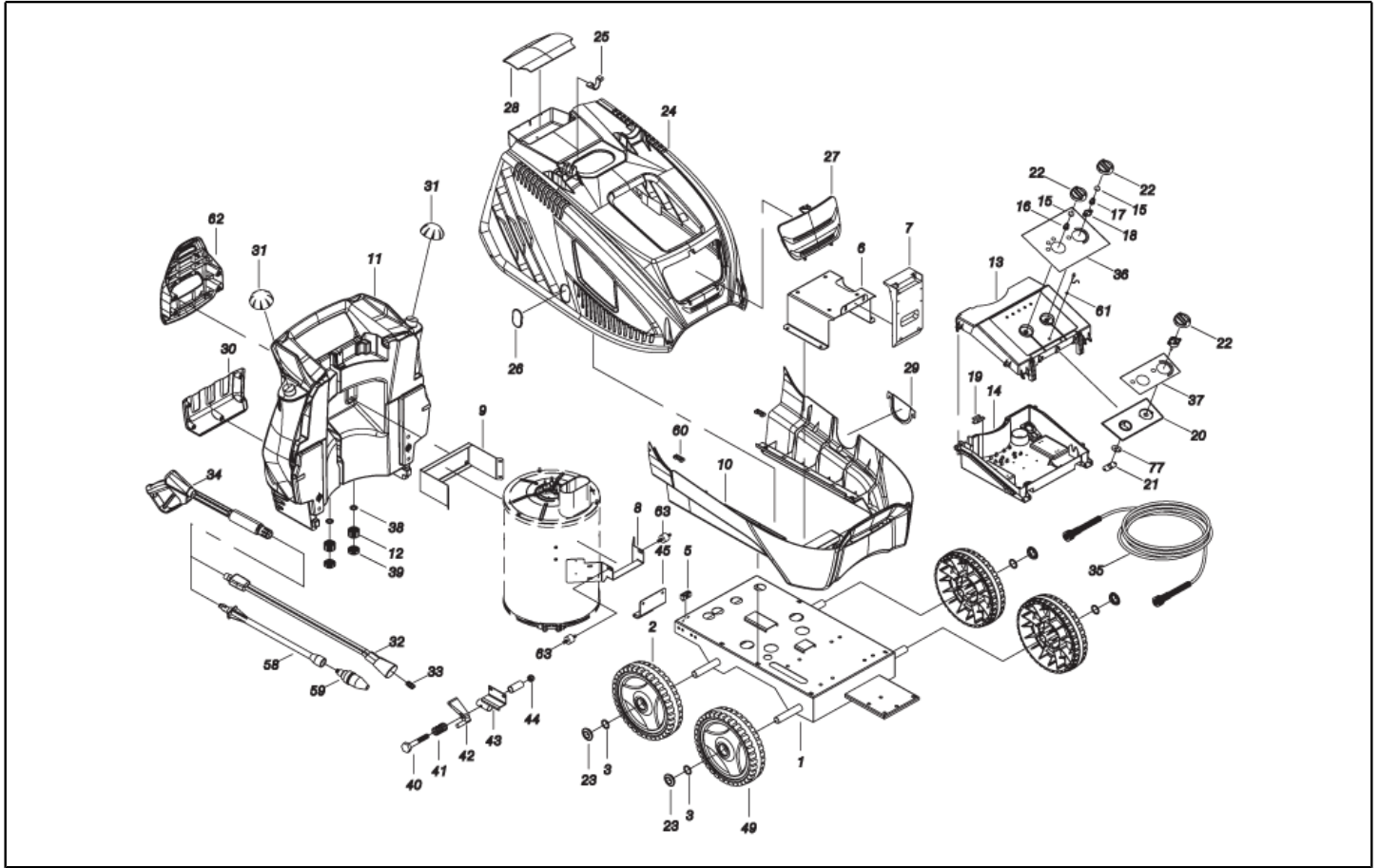


**IPC**

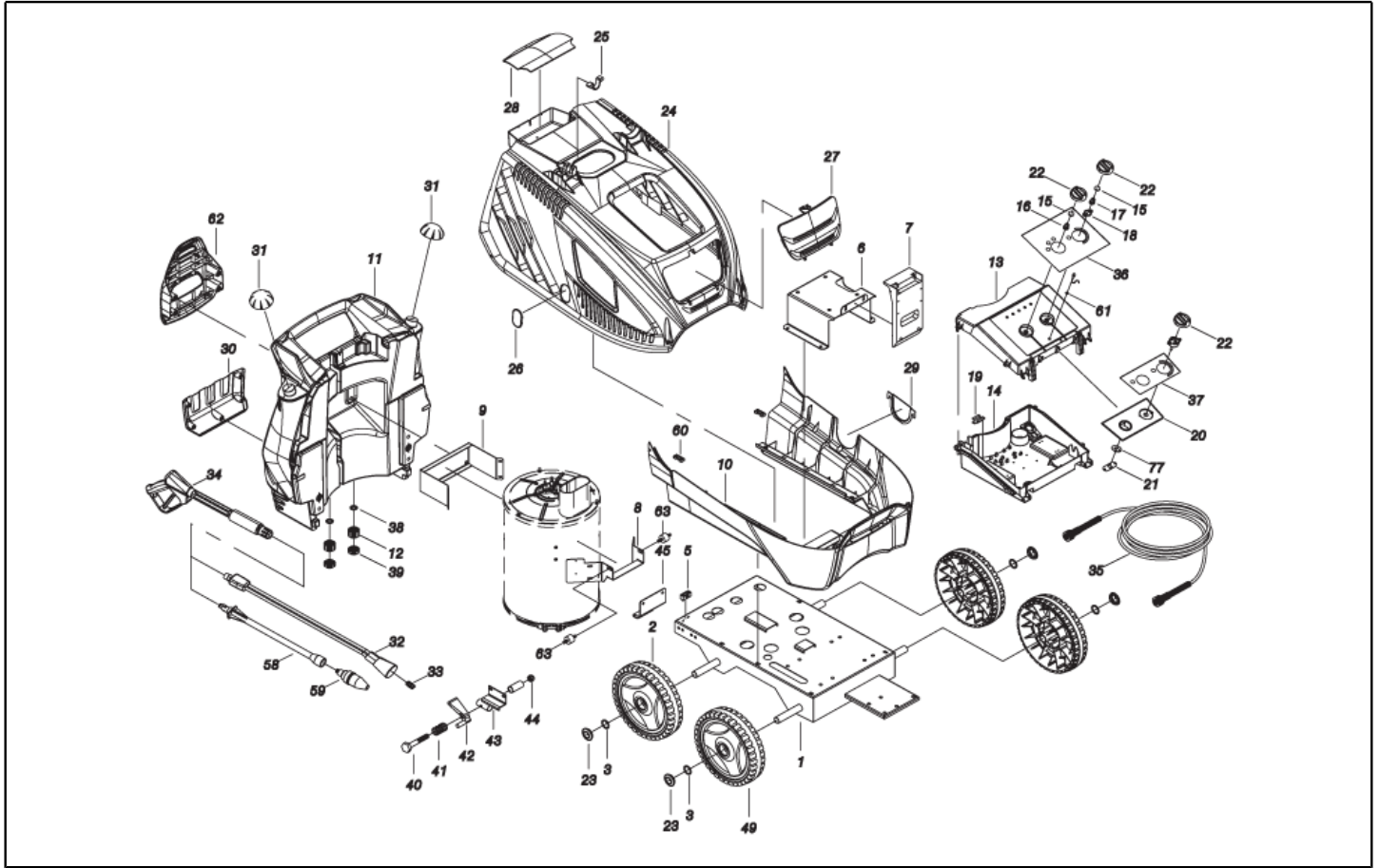
**Spare parts list**

Ref: IDAC40913

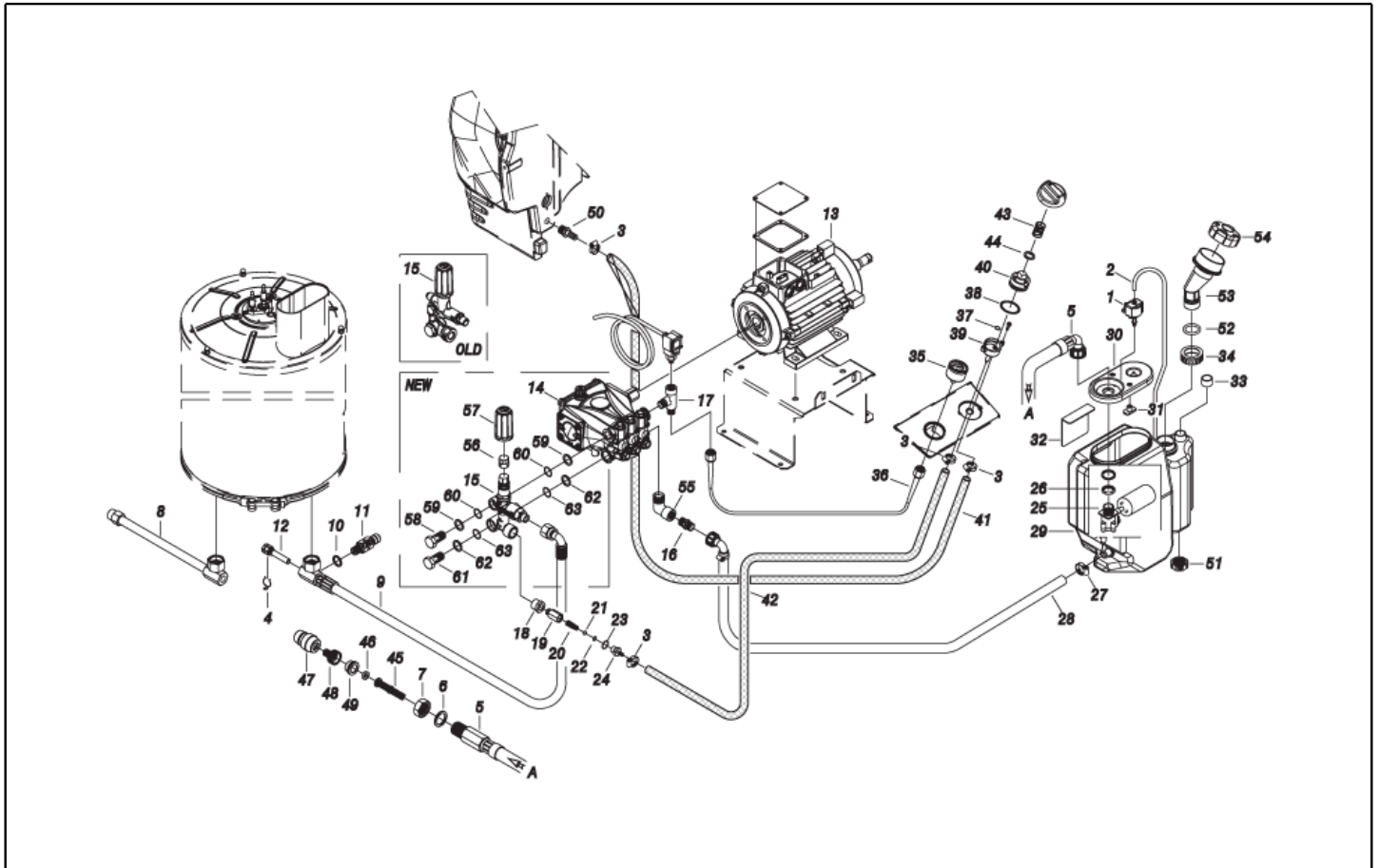
Model: H.P. CLEANER GALAX-H4 D1915P4T400/50PR



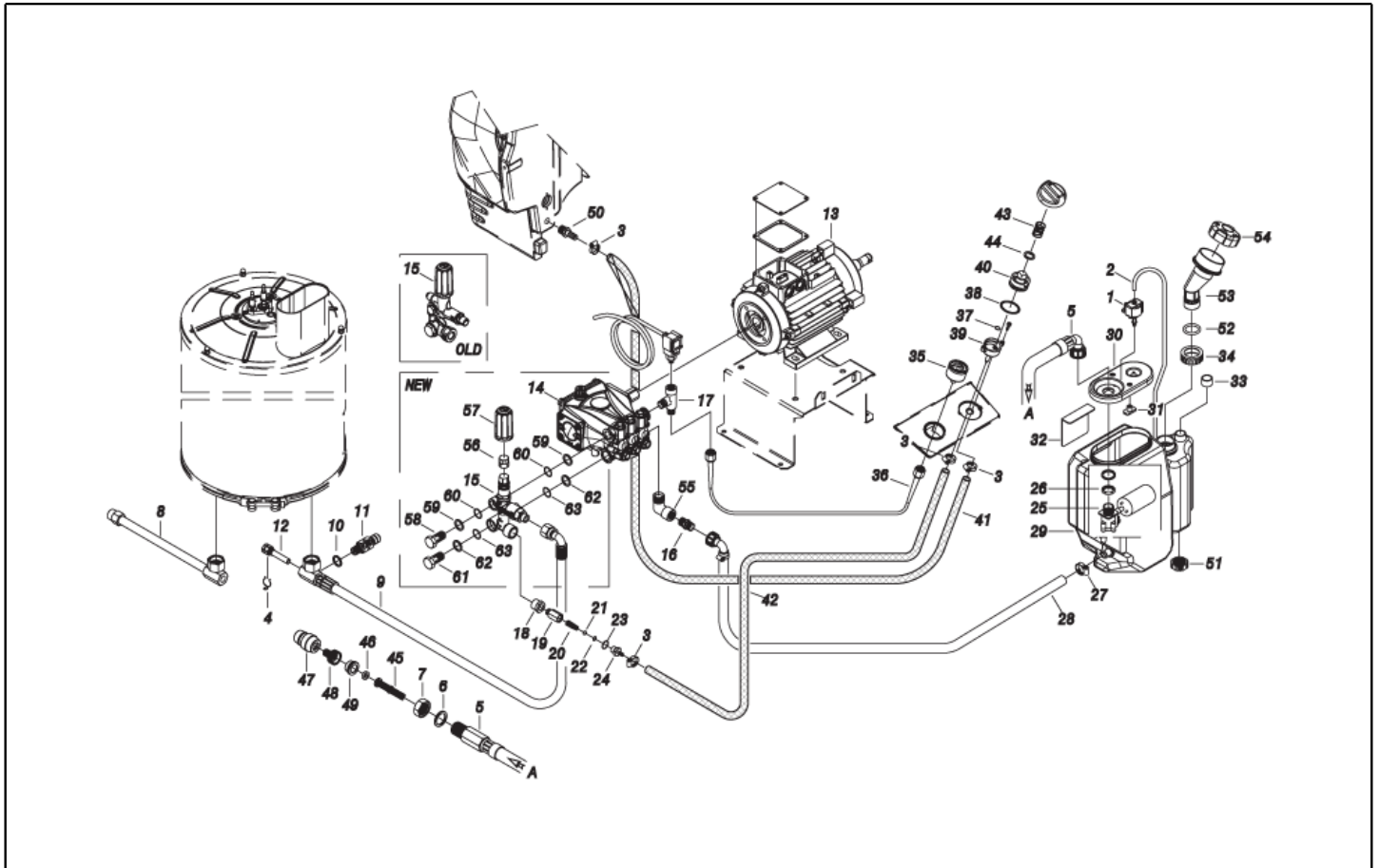
Ref. K	Part n.	Part n. 2	Description	Quantity	Validity		Price
					From	To	
0001	LAFN40760		CHASSIS PW-H50/4W BK.	1,00			--
0002	RTRT40046		WHEEL D.300-D.25 FLY-IPC BK/RED	2,00			--
0003	VTRS09813	00009813	WASHER D.25	4,00			--
0005	MEVR20906	00020906	CABLE CLAMP KSM	1,00			--
0006	LAFN40550		MOTOR SUPPORT PW-H35 6.0Hp ZC.	1,00			--
0007	MPVR33534	00033534	BOX SUPPORT MST PA 66	1,00			--
0008	LAFN40741		SUPPORT PW-H35 PM/AV ZC.	1,00	15/10/2015		--
0009	LAFN40835		BRACKET PW-H35 PM.2 ZC	1,00	16/11/2015		--
0010	MPVR40591		BLACK COVER PW-H35 INF.P/2P-PM PP	1,00			--
0011	MPVR40519		TANK PW-H35 PEHD BK.	1,00			--
0012	PVVR11806	00011806	DISCHARGE CAP FLL	2,00			--
0013	MPVR40540		BOX COVER PW-H35 ABS BK.	1,00			--
0014	MPVR40541		CONTROL BOX PW-H35 ABS BK.	1,00		09/04/2016	--
0014	MPVR40836		CONTROL BOX PW-H35 C/F.Fs.ABS BK.	1,00	10/04/2016		--
0015	GUGO25527	00025527	O-RING D. 14 X 3 NBR 70SH	2,00			--
0016	MPVR23482	00023482	SWITCH TANG TEC. TUV	1,00			--
0017	MPVR23484	00023484	TAIL PIECE THERM.KSM TUV	1,00			--
0018	MPVR41903	00041903	THICKNESS TERM.IM.PA66	1,00			--
0019	LAFN46067	00046067	SUPPORT L.60 P176	2,00			--
0020	MPVR40542		ANT. PANEL PW-H35 ABS BK.	1,00			--
0021	LAFN40561		JUNCTION BOARD PW-H35 ZC.	1,00			--
0022	MPVR49057	00049057	BLACK KNOB P176-M.RACE PA6	3,00			--
0023	MPVR40735		HUB CAP D.50 G-48/IPC RD.	4,00			--
0024	FSVR62795		PLATE DI FISSAGGIO RPD0074	2,00			--
0024	MPVR40526		RED COVER PW-H35 SUP.PP	1,00			--
0025	MPVR40485		RUBBER PW-H35 15-20BK.	1,00			--
0025	MPVR40534		PIN PW-H35 PP BK.	2,00			--
0026	MPVR40539		DOOR PW-H35 PPL NT.	1,00			--
0027	MPVR40660		DOOR PW-H35 PPL BK.	1,00			--
0028	MPVR40661		DOOR PW-H35 PPL BK. PST	1,00			--
0029	MPVR40532		DOOR PW-H35 PPL BK.INF.	1,00			--
0030	MPVR40533		TOOL HOLDER PW-H35 PP BK.	1,00			--
0031	MPVR40187		TANK CAP P215 PEHD C/F.	2,00			--
0032	LCPR40087		EXTENSION P 70 -P20.IX700 M22 M	1,00			--
0033	UGLN49987	00049987	NOZZLE LECH 1/4 15045	1,00			--
0034	IPPR40020		GRIP G 6000+P.330 +M22 SW.M V	1,00			--
0035	TBAP25324	00025324	H.P. HOSE R1 MT 10 5/16" C/2 IRV ZC	1,00			--
0036	ETET40589		LABEL PW-H35.RUNNER ELETT.	1,00			--
0037	ETET40590		LABEL PW-H35.RUNNER IDR.	1,00			--
0038	GUGO11489	00011489	GASKET D.22X1,5	2,00			--
0039	MPVR20187	00020187	RING NUT M 39 X 3	2,00			--
0040	VTVT14480	00014480	SCREW TE M 8X80 ZINC. UNI	1,00			--
0041	MLML11917	00011917	SPRING D. 14.5 X24 X2.2	1,00			--
0042	MPVR40751		TRIGGER H28/4W	1,00			--



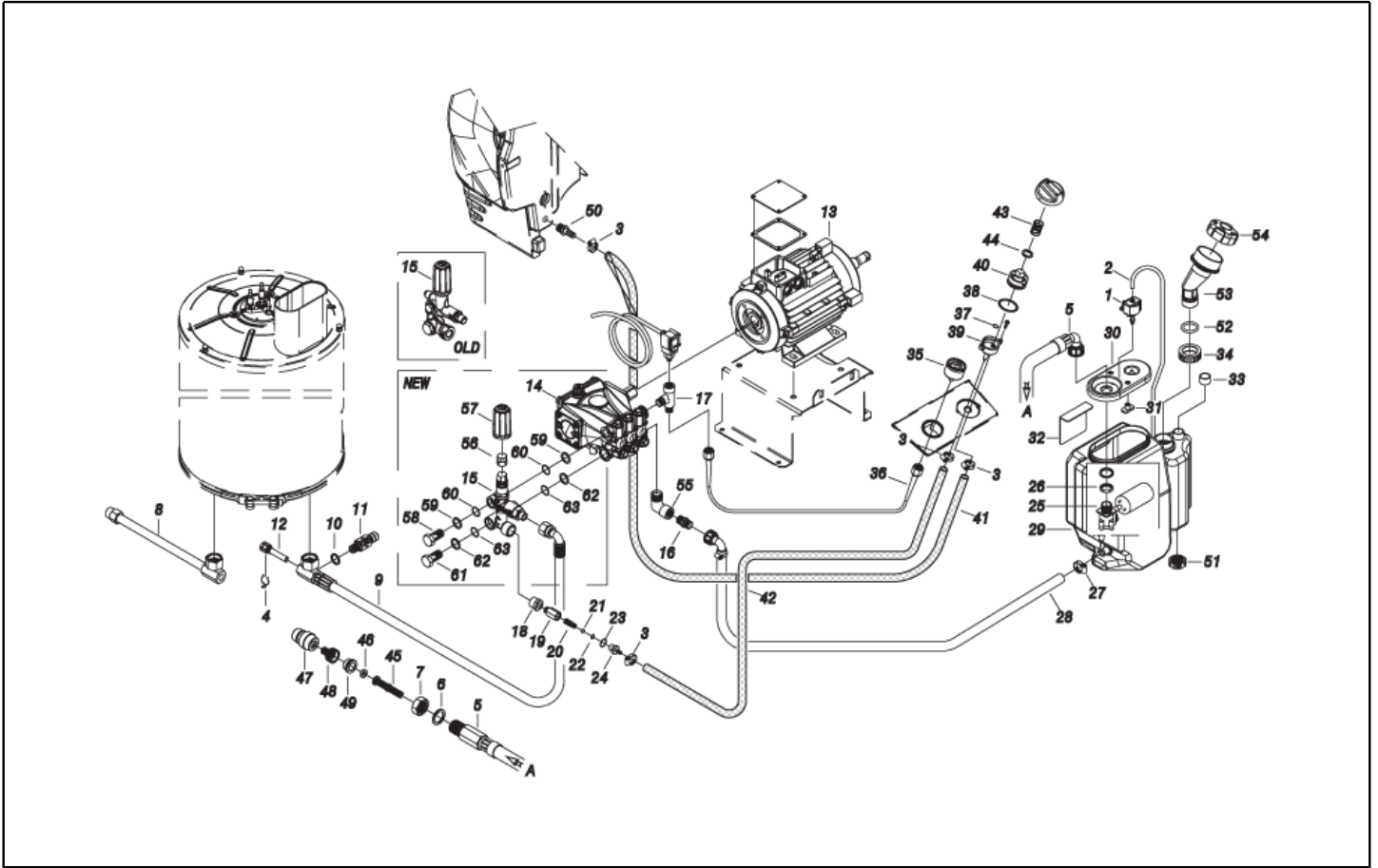
Ref. K	Part n.	Part n. 2	Description	Quantity	Validity		Price
					From	To	
0043	LAFN40762		BRACKET PW-H50/4W BK.	1,00			--
0044	VTDD00492	00000492	NUT M 8 ZINC	1,00			--
0045	LAFN40609		FOOT PW-H35/4W	1,00			--
0049	RTRT40044		WHEEL D.250-D.25X 65 RES BK/RED	2,00			--
0060	MPVR28554	00028554	CABLE FASTNER ELT	2,00			--
0060	VTVT13234	00013234	SCREW TCB-TC 3,5X19 NIK	4,00			--
0062	MPVR40701		HOSE SUPPORT PW-H35 PP BK.	1,00			--
0063	ABGO02389	00002389	VIBRATION DAMP. 25X20- 2M6X19 -60+5SH	2,00	15/10/2015		--



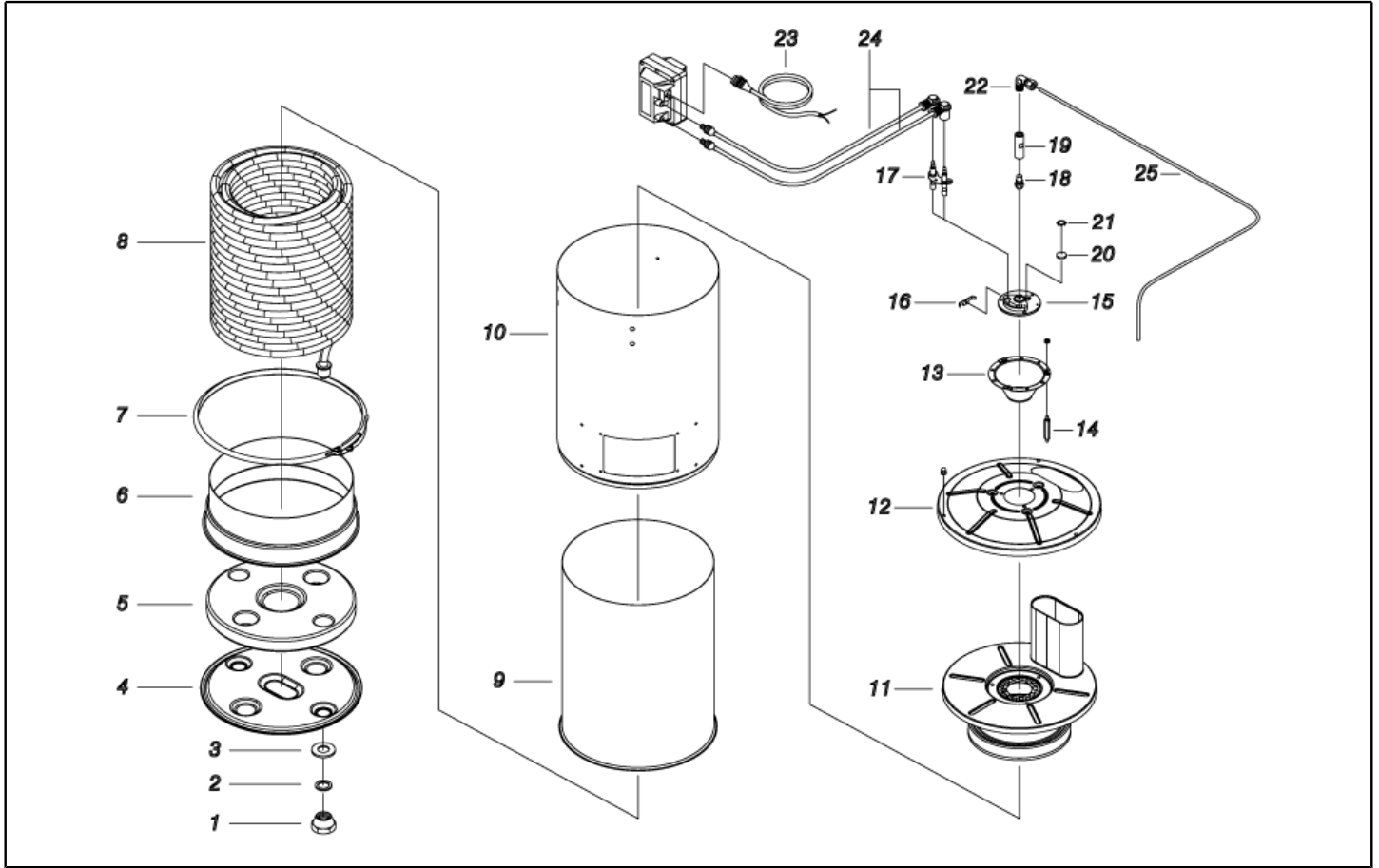
Ref. K	Part n.	Part n. 2	Description	Quantity	Validity		Price
					From	To	
0001	MEPD45940	00045940	DESCALING PUMP NME 1 24V 50/60HZ	1,00			--
0002	TBBP00058	00000058	L.P. HOSE D. 4- 7	0,60			--
0003	FSVR00427	00000427	CLAMP D. 12 CLIC 66-110	4,00			--
0004	MLML02623	00002623	SPRING IMT	1,00			--
0005	TBBP40064		L.P. HOSE L=1060 3/4F90°-1/2M 0°	1,00			--
0006	RCDS49875	00049875	RING NUT 1/2"X 6 CH.27 OT.	1,00			--
0007	VTRS00549	00000549	WASHER D.21,5X27X1.5 (1/2) RM	1,00			--
0008 S	RCDS21118	00021118	CONNECTOR KSM	1,00			--
0008 S	RCDS21119	00021119	NUT KSM	1,00			--
0008 S	RCDS40045		CONNECTOR G 3/8F -1/4 +M14X1 C.27	1,00			--
0008 S	RCDS40164		CONNECTOR L=285 2X3/8M CN. ZC.	1,00			--
0008 S	RCIN03753	00003753	MALE COUPLING M22-3/8 M-FA	1,00			--
0009	TBAP40115		HOSE-FITTING 3/ 8 R1 L=685 3/8F90-PM26	1,00			--
0010	VTRS40960	00040960	WASHER D.13.5X19 X4 AL.	1,00			--
0011	VVSC47427	00047427	VALVE MG 1000 G1/4M-M D.8 250B	1,00			--
0012	RCDS00593	00000593	SUMP IM 0-120 L=50	1,00			--
0013	MOTR40044		3PH MOTOR H35 HP 6 400-50 4P ED	1,00			--
0014	PPAP40039		PUMP RC 14.16 DX N	1,00			--
0015	VVAZ40066		VALVE VRZ-RC +TSS L.90 SI	1,00		29/02/2016	--
0015	VVAZ40079		VALVE VRF-2 AR-R PPr S/I.	1,00	01/03/2016		--
0016	RCDS88747		NIPPLE 3/4 - 1/2 CB D. 9.0	1,00			--
0017	RCDS40177		CONNECTOR T 3/8M - 1/4 M/F OT. CN.	1,00			--
0018	RCVR02606	00002606	REDUCTION 1/2-1/4 M/F	1,00			--
0019	RCDS46072	00046072	VALVE BODY N/R 1/4F-1/4 P176 OT	1,00			--
0020	MLML21505	00021505	SPRING D. 8 X5 X0.3	1,00			--
0021	SFVR04274	00004274	BALL D. 7/32	1,00			--
0022	GUGO01055	00001055	O-RING D. 5.28 X 1.78 VIT 70SH	1,00			--
0023	GUGO01036	00001036	O-RING D. 10.82 X 1.78 NBR 70SH	1,00			--
0024	RCDS10546	00010546	VALVE SEAT 1/4M + PG. D.3-7.5 OTT	1,00			--
0025	RCGR89343		FLOATER MTM 3/4 PP. S/F. +ADP.245	1,00			--
0026	RCVR49974	00049974	RING NUT 3/4" X 4 NIK	1,00			--
0027	FSVR00431	00000431	CLAMP D. 16-25	1,00			--
0028	TBBP40096		L.P. HOSE L=430 3/4F 90°-LB.	1,00			--
0029	MPVR40517		WATER TANK P190-35 PEHD BK.	1,00			--
0030	MPVR40516		TANK COVER P190-35 PA6 BL.	1,00			--
0031	MPVR89078		PLATE P190 PA6 BL.	2,00			--
0032	LAFN89079		PANEL P190 INX	1,00			--
0033	MPVR18582	00018582	CAP D.22	1,00			--
0034	MPVR40739		TANK CAP KSM D.36.2	1,00			--
0035	MNMN93800		PRESSURE GAUGE 1/8 POST. 0-300 D.40 S/ST	1,00			--
0036	TBAP40113		POLYAMIDE HOSE L=420 1/4F GR.-1/8F MN.	1,00			--
0037	GUGO08071	00008071	O-RING D. 4.48 X 1.78 NBR 70SH	1,00			--
0038	GUGO12183	00012183	O-RING D. 23.4 X 3.53 VIT 70SH	1,00			--
0039	RCGR08069	00008069	TAP BODY DET. PRT	1,00			--



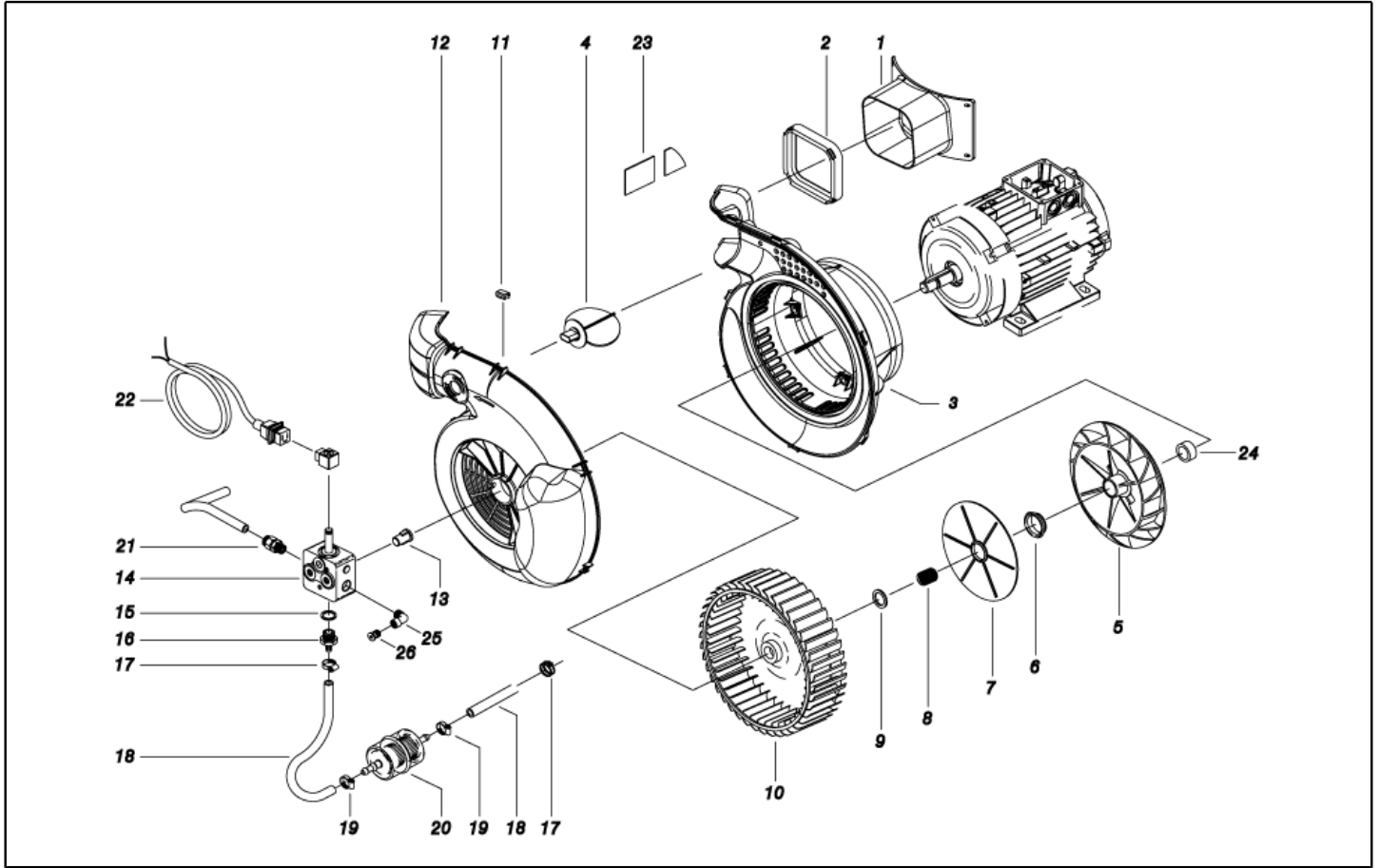
Ref. K	Part n.	Part n. 2	Description	Quantity	Validity		Price
					From	To	
0040	RCGR08070	00008070	ADJUSTER PRT	1,00			--
0041	TBBP00051	00000051	DETERGENT HOSE D. 6-12	1,10			--
0042	TBBP00051	00000051	DETERGENT HOSE D. 6-12	0,85			--
0043	MLML08068	00008068	SPRING D.1,5 L.23	1,00			--
0044	VTRS00542	00000542	WASHER D.14X20	1,00			--
0045	FTAC30214	00030214	FILTER D.15X67	1,00			--
0046	GUGO37736	00037736	GASKET D. 10- 19 X 5 70SH	1,00			--
0047	RCVR29600	00029600	SOCKET PTC 3/4 F	1,00			--
0048	RCVR29602	00029602	CONNECTOR D. 1/2"-5/8" PTC	1,00			--
0049	RCVR37806	00037806	REDUCTION PTC 3/4-1/2 M/F	1,00			--
0050	RCVR40113		HOSE FITTING 1/8 M D. 5- 7 NIK	2,00			--
0051	MPVR20187	00020187	RING NUT M 39 X 3	1,00			--
0052	GUGO21339	00021339	O-RING D. 29.82 X 2.62 VIT 70SH	1,00			--
0052	GUGO89386		O-RING D. 30 X 5 NBR 70SH	1,00			--
0053	RCDS25578	00025578	BUSHING IP WW141 OT.	1,00			--
0053	MPVR40700		MANIFOLD A.CLCL PW-H35 PP NT.	1,00			--
0054	GUGO21337	00021337	O-RING D. 25.07 X 2.62 VIT 70SH	1,00			--
0054	MPVR40187		TANK CAP P215 PEHD C/F.	1,00			--
0055	RCVR00575	00000575	ELBOW 1/2" M/F A10	1,00			--
0056	PVVR40273		ADAPTER VRF-2 RG.	1,00	01/03/2016		--
0057	MPVR40589		BLACK KNOB ST 260 IPC	1,00	01/03/2016		--
0058	RCDS40172		SCREW 3/8 VRF-2 OT. 4F.	1,00	01/03/2016		--
0059	VTRS00548	00000548	WASHER D.17,5X23X1,5 (3/8)RM	2,00	01/03/2016		--
0060	GUGO03510	00003510	O-RING D. 12.37 X 2.62 NBR 70SH	2,00	01/03/2016		--
0061	RCDS40171		SCREW G 1/2 VRF-2 OT. 2F.	1,00	01/03/2016		--
0062	VTRS00549	00000549	WASHER D.21,5X27X1,5 (1/2) RM	1,00	01/03/2016		--
0063	GUGO01048	00001048	O-RING D. 15.88 X 2.62 NBR 70SH	2,00	01/03/2016		--



Ref. Part n.	Cust. part n.	Description	Reference	Price
KTRI40257	KIT P 13- 9 PW-H35/PM		0008 0008 0008 0008 0008	--

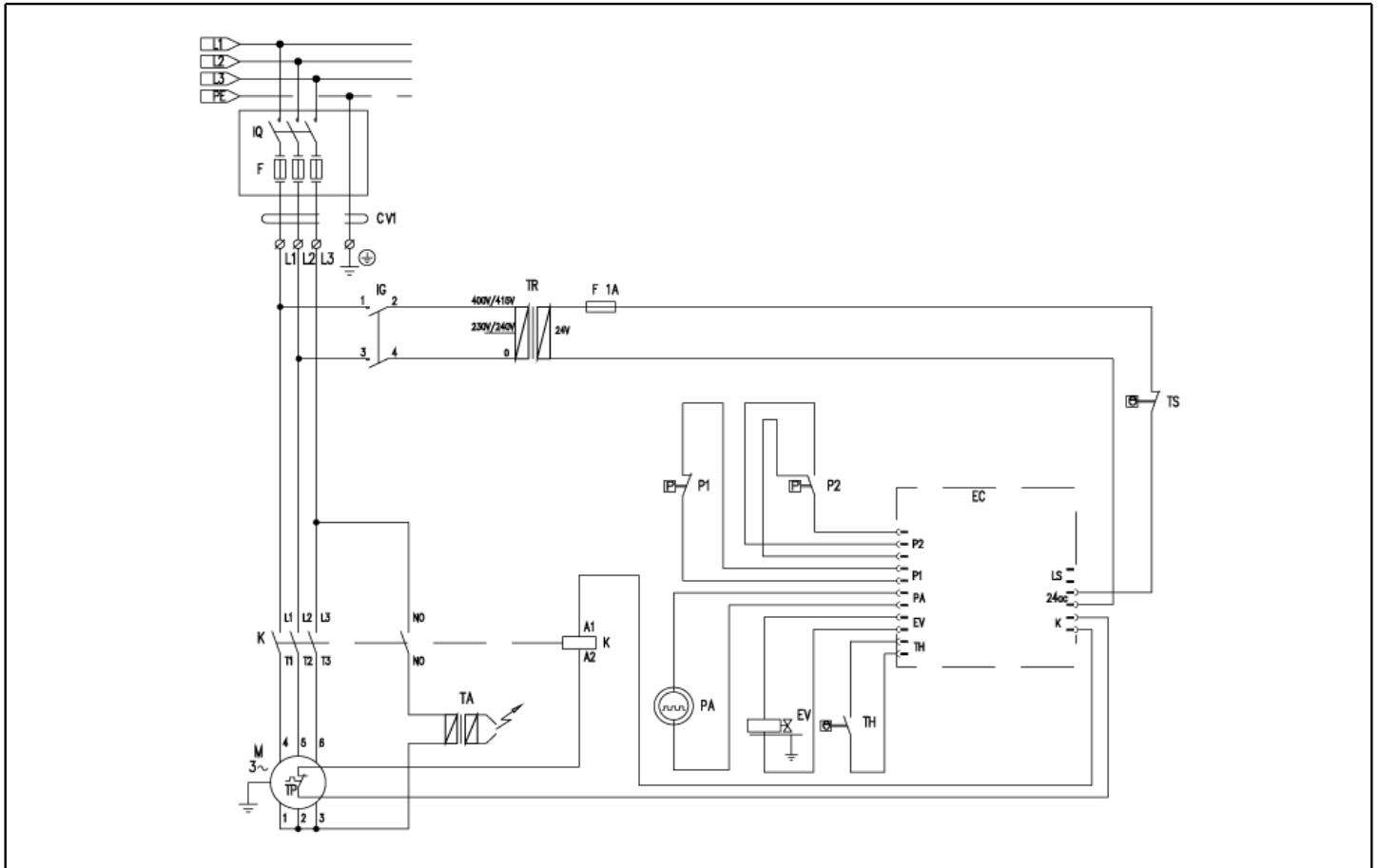


Ref. K	Part n.	Part n. 2	Description	Quantity	Validity		Price
					From	To	
0001	RCDS21120	00021120	RING NUT M 26 X 1,5	2,00			--
0002	GUGO21222	00021222	O-RING D. 15.54 X 2.62 VIT 80SH	2,00			--
0003	GUVR21021	00021021	ANTI-EXTR.RING D. 21 X17 TEF.	2,00			--
0004	LAFN44149	00044149	BOILER BOTTOM P176	1,00			--
0005	ITTE44175	00044175	BOTTOM P176 C.TE	1,00			--
0006	LAFN44151	00044151	BAND P176 INX	1,00			--
0007	LAFN40037		RING D.342 P176 ZN 2V.CPL.	1,00			--
0008	LAGR48101	00048101	DOUBLE COIL M26X1.5 P176 30MT. SP.2.6	1,00			--
0009	LASL40101		INT. CYLINDER PM INX	1,00			--
0010	LAFN40581		EXT. CYLINDER PM-H35 INX	1,00			--
0011	LAFN40269		BOILER COVER SI PM INX	1,00			--
0012	LAFN40270		BOILER COVER SE PM INX	1,00			--
0013	LAFN44244	00044244	BAFFLE P176 30M INX	1,00			--
0014	LAFN40271		PIN CH.10 X 67.7 M5M/M5M PM	3,00			--
0015	MFVR18226	00018226	ELECTR.HOLDER FUT 3°V	1,00			--
0016	LAFN07641	00007641	PLATE INX	1,00			--
0017	MECA12525	00012525	ELECTRODE FUT	1,00			--
0018	UGBR22576	00022576	BURNER NOZZLE 1.35 60 S	1,00			--
0019	RCDS07642	00007642	NOZZLE HOLDER FUT	1,00			--
0020	MPVR18228	00018228	OIL WARN-LIGHT D.17 X3	1,00			--
0021	VTAE22633	00022633	SEEGER 0.4 X18,30X10,5	1,00			--
0022	RCVR08954	00008954	ELBOW 1/8"-4 B5	1,00	01/03/2015		--
0022	RCVR08954	00008954	ELBOW 1/8"-4 B5	1,00		30/06/2013	--
0022	RCVR40126		BI-CONE CONNEC. T 1/8" M/F D. 4/ 6C NK.	1,00	01/11/2013	28/02/2015	--
0022	RCVR72867		CONNECTOR A "T" 1/8" FFM	1,00	01/07/2013	31/10/2013	--
0022	RCVR14014	00014014	BI-CONE CONNEC. DTT 1/8" M B1 D. 2/ 4 NIK	1,00	01/07/2013	31/10/2013	--
0022	RCVR89230		CAP G 1/8 M C/O-RING.	1,00	01/07/2013	28/02/2015	--
0023	MECB34463	00034463	CABLE BT L=800 SP. FD	1,00			--
0024	MECV35335	00035335	CABLE A.T. 9.8-23KOHM/M L= 500P	2,00			--
0025	TBCO40058		DIESEL HOSE PW-H35/6-4P D. 4 IX	1,00			--

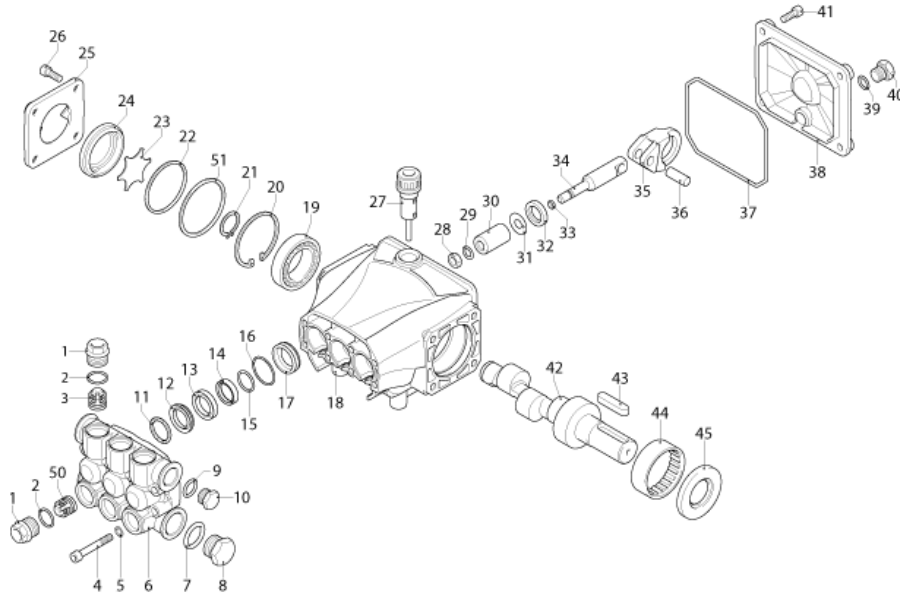


Ref. K	Part n.	Part n. 2	Description	Quantity	Validity		Price
					From	To	
0001	MPVR88426		CONVEYOR P176 PA6 BK.	1,00			--
0002	GUGO88425		GASKET P245 EPDM	1,00			--
0003	MPVR45488	00045488	SCROLL BODY P176 PP	1,00			--
0004	MPVR45445	00045445	BUTTERFLY VALVE P176 PP	1,00			--
0005	VEVR45443	00045443	MOTOR FAN P176 H 100	1,00			--
0006	LAFN45783	00045783	BUSHING D. 30 P176	1,00			--
0007	MPVR45444	00045444	SEPARATOR P176 ABS	1,00			--
0008	VTVR45002	00045002	BUSHING D. 17-19X19 CPS.	1,00			--
0009	VTAE33647	00033647	CIRCLIP D. 19 UNI 7435	1,00			--
0010	VEVR88781		IMPELLER P176 D.240 43P. 2V. PA6	1,00			--
0011	VTVR20127	00020127	CLIP KSM	8,00			--
0012	MPVR45489	00045489	VENTILATOR COV. P176 ABS	1,00			--
0013	FGGT36513	00036513	JOINT HP 0.25 AACO	1,00			--
0014	PPGS40004		FUEL PUMP DNF BFA 01R5L1	1,00			--
0015	VTRS04931	00004931	WASHER COPPER D.13X19X1.5	1,00			--
0016	RCDS00626	00000626	HOSE FITTING 1/4 M D. 5- 7	1,00			--
0017	FSVR00427	00000427	CLAMP D. 12 CLIC 66-110	2,00			--
0018	TBCO06945	00006945	L.P. HOSE D. 6-12 10BAR C.PRESS	0,32			--
0018	TBCO06945	00006945	L.P. HOSE D. 6-12 10BAR C.PRESS	0,17			--
0019	FSVR11197	00011197	CLAMP D.12.9-13.6	2,00			--
0020	FTCO10912	00010912	FILTER FB 13/T NYL.	1,00			--
0021	RCVR14014	00014014	BI-CONE CONNEX. DTT 1/8" M B1 D. 2/ 4 NIK	1,00			--
0022	MECB46130	00046130	CABLE DLT L=1100	1,00			--
0025	RCVR34780	00034780	ELBOW 1/8" M/F A10	1,00	01/03/2015		--
0026	RCVR89230		CAP G 1/8 M C/O-RING.	1,00	01/03/2015		--





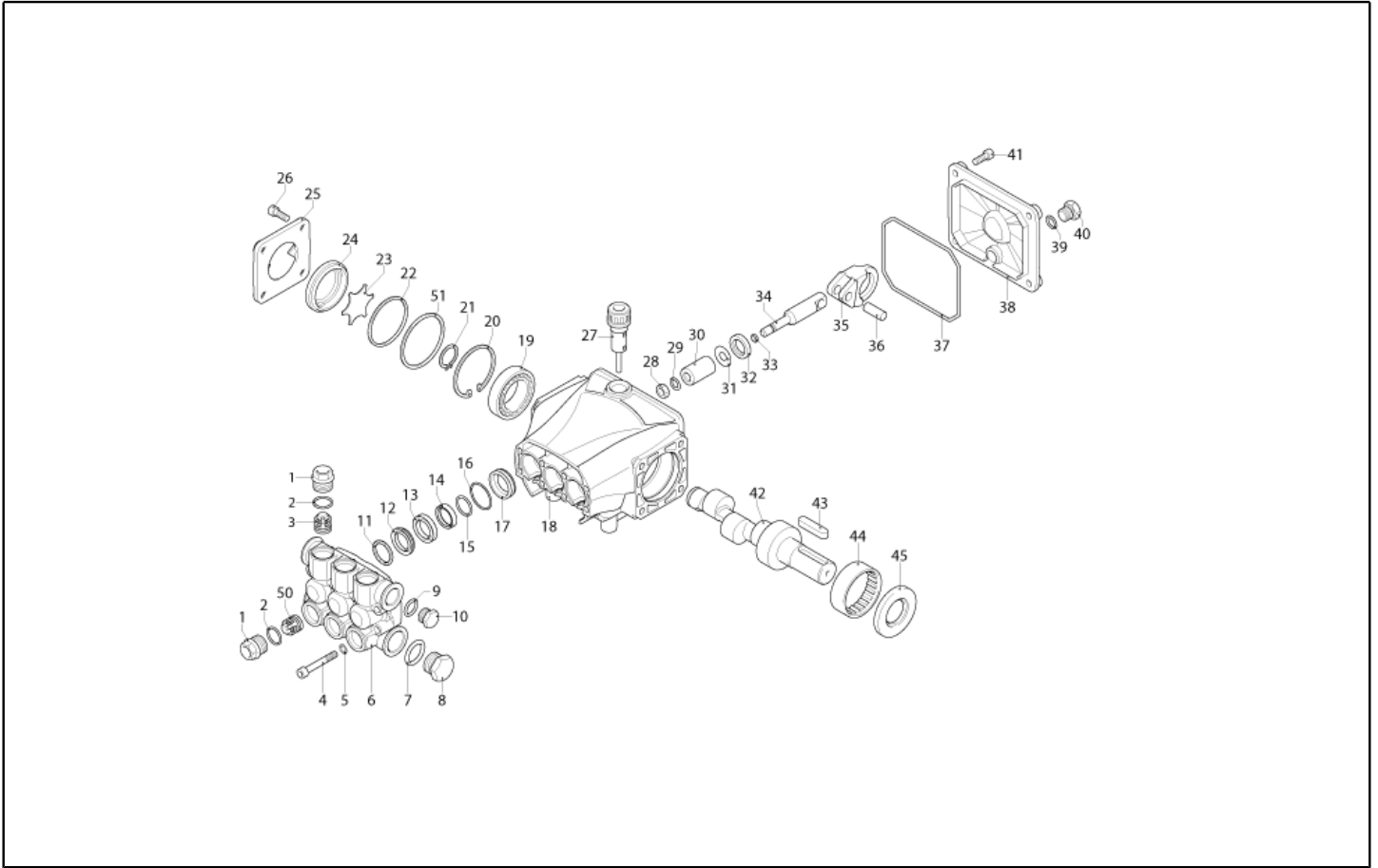
Ref. K	Part n.	Part n. 2	Description	Quantity	Validity		Price
					From	To	
K	METT40008		CONTACTOR SIE 3RT 2016-1AB01 24V	1,00	01/10/2014		--
K	METT43990	00043990	CONTACTOR SIE 3RT 1017 1AB01 5/60HZ	1,00		30/09/2014	--
EC	MECE40022		PCB PW-H35 TSI+CO+VRT 3.0	1,00		29/02/2016	--
EC	MECE40024		PCB PW-H35 TSI+CO+VRT MST-H	1,00	01/03/2016		--
EV	MEBE43704	00043704	COIL DNF 24-50	1,00			--
IG	MECI40020		SWITCH BRM BP. 0-1 12A	1,00			--
P1	MEPF40035		PRESSURE SWITCH PR 5 1/8M 40BAR	1,00	01/03/2016		--
P2	MEPF62126	00062126	PRESSURE SWITCH PR 5 1/4M 40BAR	1,00			--
TA	METR88630		TRANSFORMER 23/240V-5/60HZ 2X26KV TR.	1,00			--
TH	METK40011		THERMOSTAT 0-150° L=1500 F&C	1,00			--
TR	METR40012		TRANSFORMER 25VA 230-400/24 5/60HZ FS	1,00			--
TS	METK40007		THERMOSTAT 65°C NSP-040 PT RIPR.	1,00			--
CV1	MECB40002		CABLE H07 RNF 4X1.5 L=6.500	1,00			--



Ref. K	Part n.	Part n. 2	Description	Quantity	Validity		Price
					From	To	
0001	PVVR40120		CAP AR RC	6,00			--
0002	GUGO03505	00003505	O-RING D. 15.6 X 1.78 NBR 70SH	6,00			--
0003	S VVAM40002		VALVE UNIT RC	6,00		31/07/2012	--
0003	S VVAM40002		VALVE UNIT RC	3,00	01/08/2012		--
0004	VTVT06236	00006236	SCREW TCCE UNI 5931 6X40 ZB	8,00			--
0005	VTRS01077	00001077	WASHER D. 6.4X10X0,7	8,00			--
0006	MFVR40019		HEAD AR RC OT.	1,00			--
0007	GUGO19245	00019245	O-RING D. 17.5 X 2 NBR 70SH	1,00			--
0008	PVVR40121		CAP 1/2 M RC	1,00			--
0009	GUGO09720	00009720	O-RING D. 14 X 1.78 NBR 70SH	1,00			--
0010	PVVR40099		CAP 3/8 M HRM	1,00			--
0011	S PVVR40122		HEAD RING D. 18 RC	3,00			--
0012	S GUVR40035		PACKING D. 18 RC H.P.	3,00			--
0013	PVVR40123		INTERMED. RING D. 18 RC	3,00			--
0014	S GUVR40036		PACKING D. 18 RC L.P.	3,00			--
0015	S GUVR40037		ANTI-EXTR.RING D.21	3,00			--
0016	S GUGO19290	00019290	O-RING D. 23.52 X 1.78 NBR 70SH	3,00		31/03/2014	--
0016	S GUGO08182	00008182	O-RING D. 21.91 X 1.78 NBR 70SH	3,00	01/04/2014		--
0017	PVVR40124		PACKING RETAIN. D. 18 RC	3,00			--
0018	MFVR40020		PUMP CRANKCASE AR RC	1,00		31/03/2014	--
0018	MFVR40027		PUMP CRANKCASE AR RCS	1,00	01/04/2014		--
0019	CUVR28336	00028336	BALL BEARING 6304	1,00			--
0020	VTAE09661	00009661	CIRCLIP D. 52 UNI 7437	1,00			--
0021	VTAE06193	00006193	CIRCLIP D. 20 UNI 7435	1,00			--
0022	GUGO02561	00002561	O-RING D. 47.3 X 2.62 NBR 70SH	1,00			--
0023	PVVR40125		DISC RC	1,00			--
0024	PVVR40126		OIL INDICATOR RC	1,00			--
0025	MFVR40021		CRANKASE COVER AR RC LT.	1,00			--
0026	VTVT01531	00001531	SCREW TE 6X 16 UNI 5739	4,00			--
0027	PVVR19231	00019231	OIL CAP XTS	1,00		31/03/2014	--
0027	PVVR40436		OIL CAP RC	1,00	01/04/2014		--
0028	VTDD00483	00000483	NUT M 8 ZIN UNI 5588	3,00			--
0029	VTRS19394	00019394	WASHER D. 8X13X0,5	8,00			--
0030	S PIVR40005		PISTON D.18X30 RC	3,00			--
0031	PVVR19233	00019233	DISC XTS	3,00			--
0032	S GUGO09690	00009690	OIL SEAL 15X 24X 5 NBR70	3,00			--
0033	GUGO08071	00008071	O-RING D. 4.48 X 1.78 NBR 70SH	3,00			--
0034	PVVR40127		PISTON GUIDE RC	3,00			--
0035	BLVR40001		CONNECTING ROD RC	3,00			--
0036	PVVR40128		GUDGEON D. 9X23 RC	3,00			--
0037	GUGO18695	00018695	O-RING D. 101.27 X 2.62 NBR 70SH	1,00			--
0038	MFVR40022		CRANKASE COVER AR RC	1,00			--
0039	GUGO01036	00001036	O-RING D. 10.82 X 1.78 NBR 70SH	1,00			--
0040	PVVR40129		CAP 1/4 M RC	1,00			--



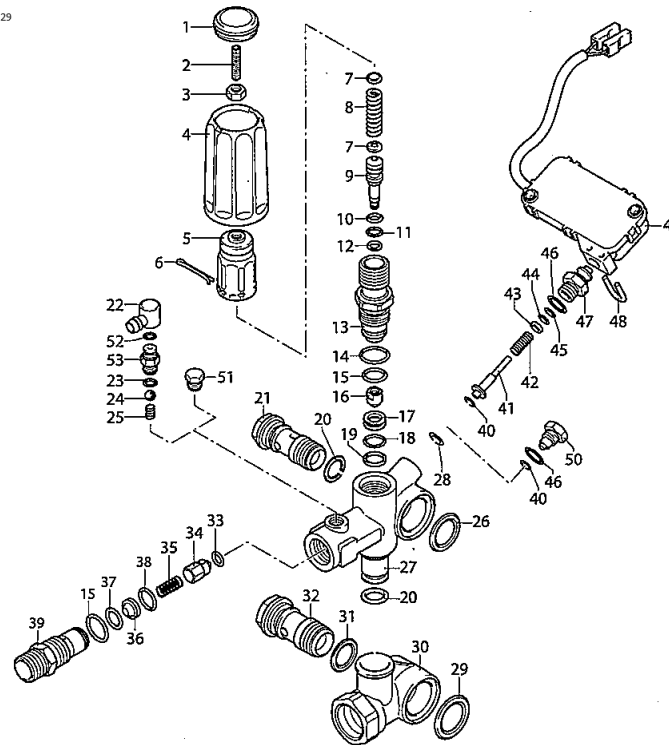
Ref. K	Part n.	Part n. 2	Description	Quantity	Validity		Price
					From	To	
0041	VTVT09913	00009913	SCREW TCEI 6X16 UNI5931	4,00			--
0042	ALMO40006		SHAFT AR RC 14LT VRS. N	1,00			--
0043	VTVR41531	00041531	KEY 8X 7X35 UNI 6604A	1,00			--
0044	CUVR23636	00023636	ROLLER BEARING HK 4516	1,00			--
0045	S GUGO00999	00000999	OIL SEAL 25X 52X 7 NBR70	1,00			--
0050	S VVAM40007		VALVE UNIT RC ASP. BK	3,00	01/08/2012		--
0051	PVVR40437		RING D. 51.8 X0.5	1,00	01/04/2014		--



Ref. Part n.	Cust. part n.	Description	Reference	Price
KTRI40092		KIT P 15-2186 RC	0003	--
KTRI40093		KIT P 15-42917 RC	0030	--
KTRI40094		KIT P 15-42919 D.18 RC	0012 0014 0015 0016	--
KTRI40095		KIT P 15-42903 D.18 RC	0011	--
KTRI40096		KIT P 15-42918 RC	0032 0045	--
KTRI40207		KIT P 15-42914 RC 3+3 BL./WH.	0003 0050	--

# VRZ TSS + ID

KIT F = pos. 10 11 14 15 18 19 20 23 28 29  
31 33 37 38 40 44 45 46

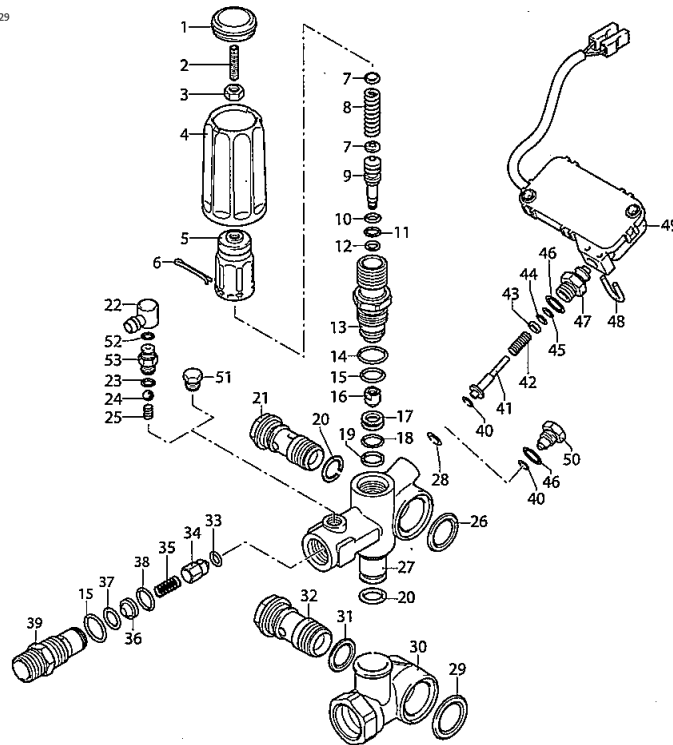


UN\_00\_4104-FR

Ref. K	Part n.	Part n. 2	Description	Quantity	Validity		Price
					From	To	
0001	PVVR40241		CAP VRC-BM	1,00			--
0002	VTVT40051		SCREW STEI M 6X25	1,00			--
0003	PVVR40292		NUT AR	1,00			--
0004	PVVR40418		KNOB VRZ	1,00			--
0005	PVVR40236		KNOB M.MT/4B	1,00			--
0006	VTVR40025		SPLIT PIN D. 2,6X15	1,00			--
0007	PVVR40067		SPRING PLATE AR XJS	2,00			--
0008	PVVR40419		SPRING VALVOLA VRZ	1,00			--
0009	PVVR40420		PISTON VRC-BM	1,00			--
0010	S GUGO40046		O-RING D. 6.02 X 2.62 NBR 90SH	1,00			--
0011	S GUGO12489	00012489	O-RING D. 6.07 X 1.78 NBR 70SH	1,00			--
0012	GUVR40072		ANTI-EXTR.RING D. 6.5X 9.4	1,00			--
0013	PVVR40421		PISTON GUIDE VRZ	1,00			--
0014	S GUGO03505	00003505	O-RING D. 15.6 X 1.78 NBR 70SH	1,00			--
0015	S GUGO11652	00011652	O-RING D. 12.42 X 1.78 NBR 70SH	2,00			--
0016	PVVR40423		COUPLING AR VRZ	1,00			--
0017	PVVR40424		VALVE SEAT AR VRZ	1,00			--
0018	S GUGO19194	00019194	O-RING D. 11.11 X 1.78 NBR 70SH	1,00			--
0019	S GUVR40085		ANTI-EXTR.RING D. 14 X11,8X1	1,00			--
0020	S GUGO01047	00001047	O-RING D. 11.91 X 2.62 NBR 70SH	2,00			--
0021	RCDS40068		SCREW G 3/8 M.MATIC 4/B OT.	1,00			--
0026	GUGO40057		O-RING D. 20.29 X 2.62-NBR 70SH	1,00			--
0027	PVVR40427		VALVE BODY VRZ	1,00			--
0028	S GUGO40031		O-RING D. 3.39 X 1.78 NBR 70SH	1,00			--
0029	S GUGO76542	00076542	O-RING D. 23.47 X 2.62 NBR 70SH	1,00			--
0030	PVVR40428		BODY VALVOLA VRZ	1,00			--
0031	S GUGO01058	00001058	O-RING D. 17.17 X 1.78 NBR 70SH	1,00			--
0032	RCDS40070		SCREW G 1/2 M.MATIC 4/B	1,00			--
0033	S GUGO12494	00012494	O-RING D. 4 X 2.5 -NBR 70SH	1,00			--
0034	PVVR40422		COUPLING AR VRZ	1,00			--
0035	PVVR40252		SPRING VRC-BM	1,00			--
0039	RCDS40192		NIPPLE G 3/8 VRZ	1,00			--
0040	S GUVR40084		ANTI-EXTR.RING PARBAK 8-007	1,00		31/01/2016	--
0040	S GUVR40094		ANTI-EXTR.RING D. 4.2X 7 X1 PTFE+BZ	1,00	01/02/2016		--
0041	PVVR40425		CONTOL ROD AR TSS VRZ	1,00		31/01/2016	--
0041	S PVVR40470		CONTOL ROD AR TSS VRZ.Evo	1,00	01/02/2016		--
0042	PVVR40429		SPRING VALVOLA VRZ	1,00			--
0043	PVVR40430		WASHER VALVOLA VRZ	1,00			--
0044	S GUGO19207	00019207	O-RING D. 1.78 X 1.78 NBR 70SH	1,00			--
0045	S GUVR40086		ANTI-EXTR.RING D. 4,9X 2 X1,3	1,00			--
0046	S GUGO06988	00006988	O-RING D. 7.66 X 1.78 NBR 70SH	1,00			--
0047	PVVR40431		CONNECTOR VALVOLA VRZ	1,00			--
0048	LAFN40212		PLUG "U" AR TSS	1,00			--
0049	PVVR40433		PRESSURE SWITCH TTS VRZ marc. AB	1,00			--

# VRZ TSS + ID

KIT F = pos. 10 11 14 15 18 19 20 23 28 29  
31 33 37 38 40 44 45 46

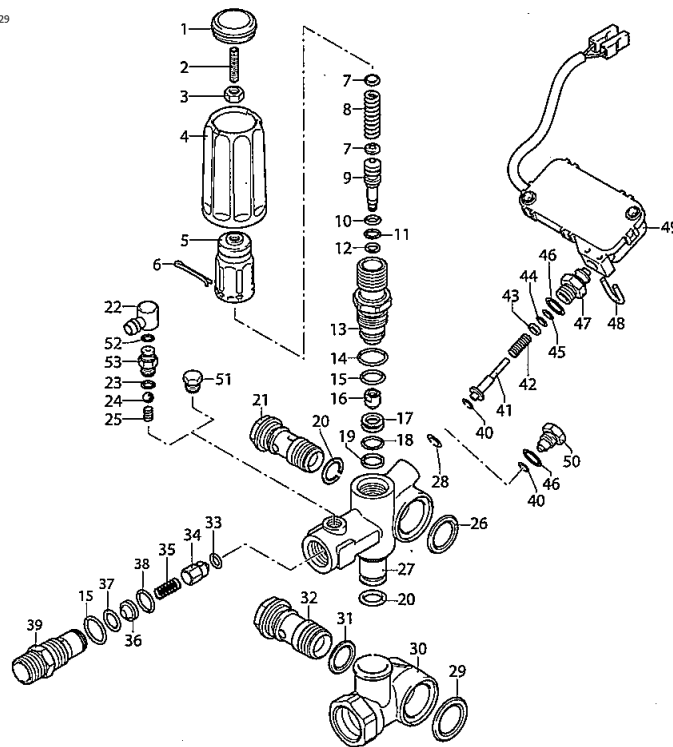


UN\_00\_4104-FR

Ref. K	Part n.	Part n. 2	Description	Quantity	Validity		Price
					From	To	
0051	RCDS19214	00019214	CAP 1/8 M	1,00			--

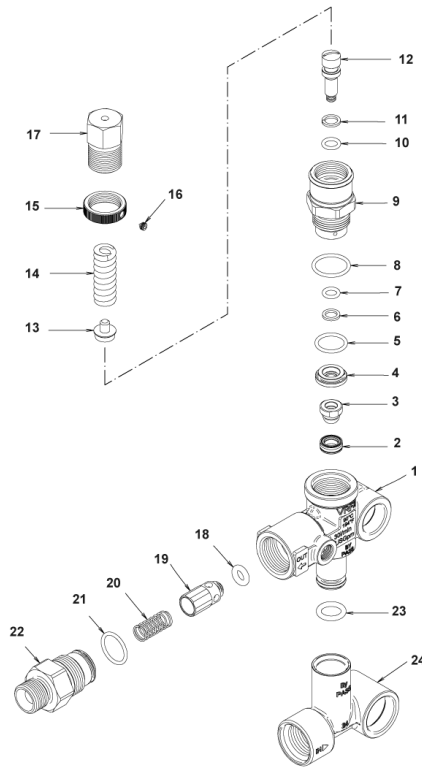
# VRZ TSS + ID

KIT F = pos. 10 11 14 15 18 19 20 23 28 29  
31 33 37 38 40 44 45 46



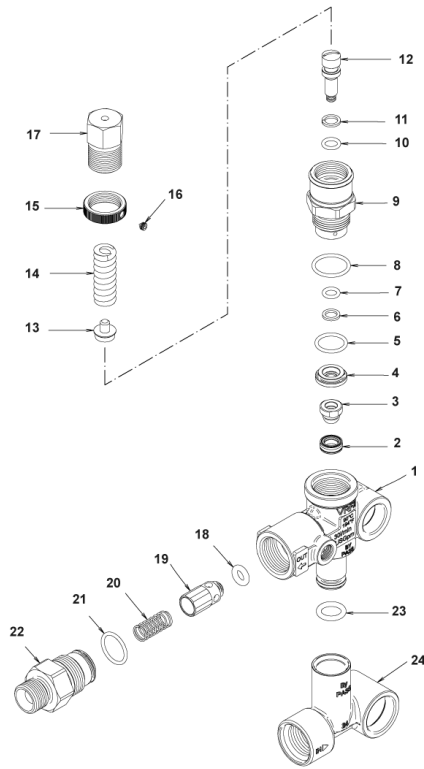
UN\_00\_4104-FR

Ref. Part n.	Cust. part n.	Description	Reference	Price
KTRI40394		KIT P 14-43234 VRZ.Evo	0028 0040 0041	--
F KTRI40293		KIT P SET O-RING VALVOLA VRZ	0010 0011 0014 0015 0018 0019 0020 0023 0028 0029 0031 0033 0037 0038 0040 0044 0045 0046	--

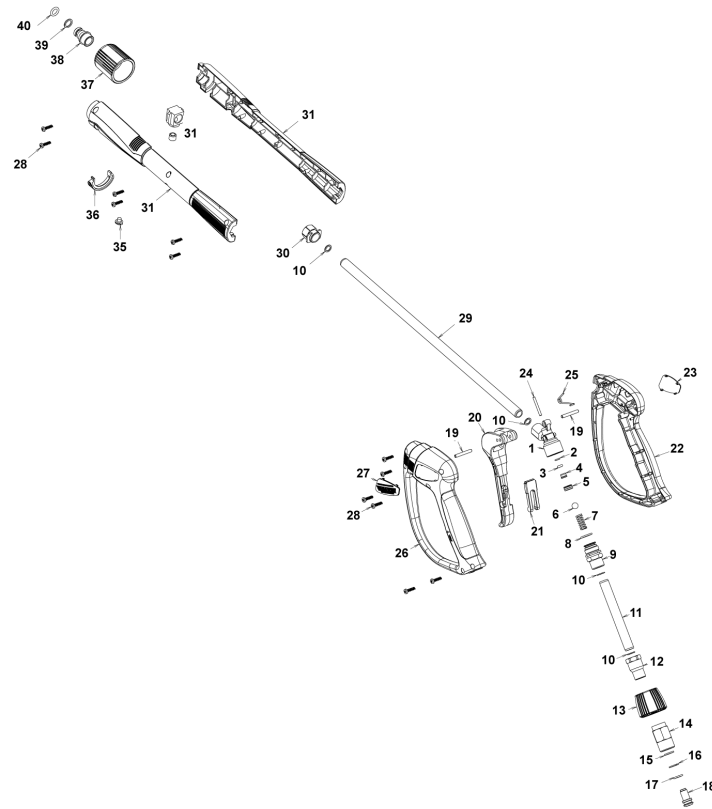


Ref. K	Part n.	Part n. 2	Description	Quantity	Validity		Price
					From	To	
0001	PVVR40375		VALVE BODY VRF2 +G1/8 F	1,00			--
0002	S PVVR40363		VALVE SEAT MV124 +OR	1,00			--
0003	S PVVR40364		COUPLING MV124	1,00			--
0004	S PVVR40365		SPACER MV124	1,00			--
0005	S GUGO12322	00012322	O-RING D. 14 X 1.78 NBR 90SH	1,00			--
0006	S GUVR40072		ANTI-EXTR.RING D. 6.5X 9.4	1,00			--
0007	S GUGO83861		O-RING D. 6.07 X 1.78 NBR 90SH	1,00			--
0008	S GUGO24913	00024913	O-RING D. 17.17 X 1.78 NBR 90SH	1,00			--
0009	S PVVR40366		CONNECTOR VRF2 D.10	1,00			--
0010	S GUGO03500	00003500	O-RING D. 6.75 X 1.78 NBR 70SH	1,00			--
0011	S GUVR40073		ANTI-EXTR.RING D. 7.1X10 X1.2 TBT	1,00			--
0012	S PVVR40367		SMALL PISTON D.10 VRF2	1,00			--
0013	PVVR40368		SPRING PLATE MV124 25B	1,00			--
0014	MLML40027		SPRING D. 3.0/6.0 X38.85	1,00			--
0015	PVVR40369		RING NUT MV167.09	1,00			--
0016	VTVT89696		SCREW EI-ST 4X 4 UNI5927 ZC	1,00			--
0017	PVVR40370		CAP VRF2 M18X1	1,00			--
0018	S GUGO46053	00046053	O-RING D. 6 X 3 NBR 90SH	1,00			--
0019	S PVVR40349		COUPLING VRT3	1,00			--
0020	S MLML40026		SPRING VRT3	1,00			--
0021	S GUGO12321	00012321	O-RING D. 15.6 X 1.78 NBR 90SH	1,00			--
0022	PVVR40525		CONNECTOR VRT3 G 3/8M	1,00			--
0023	S GUGO11225	00011225	O-RING D. 10.78 X 2.62 NBR 70SH	1,00			--
0024	PVVR40373		CONNECTOR VRF2.24	1,00			--

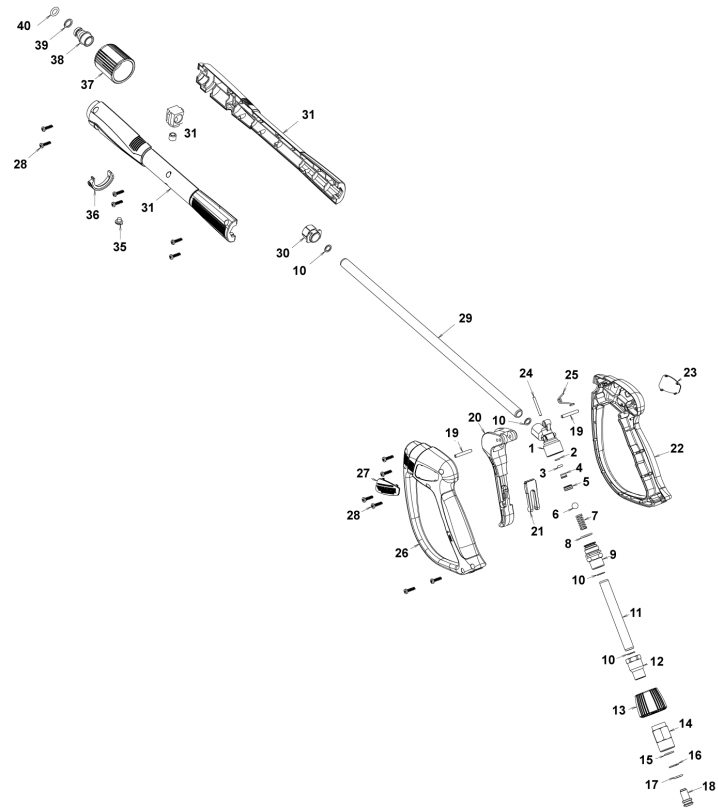




Ref. Part n.	Cust. part n.	Description	Reference	Price
KTRI40236		KIT P 14-103 VRF2	0002 0003 0004 0005 0006 0007 0008 0009 0010 0011 0012 0018 0019 0020 0021	--
KTRI40237		KIT P 14-104 SEAL VRF2	0002 0003 0005 0006 0007 0008 0010 0011 0018 0021	--



Ref. K	Part n.	Part n. 2	Description	Quantity	Validity		Price
					From	To	
0001	PVVR40381		GUN BODY G 5100 G1/4F	1,00			--
0002	S GUVR40074		ANTI-EXTR.RING D. 3 X 7.4X1.3	1,00			--
0003	S GUGO21835	00021835	O-RING D. 2.84 X 2.62 VIT. 80SH	1,00			--
0004	PVVR40382		PISTON GUIDE G 5100	1,00			--
0005	S PVVR40112		BALL SEAT G 5000	1,00			--
0006	S SFVR40002		BALL D.11/32" ALL GR16	1,00			--
0007	MLML40016		SPRING D. 9.4 x21.5x1.6 G5000	1,00			--
0008	GUGO12322	00012322	O-RING D. 14 X 1.78 NBR 90SH	1,00			--
0009	PVVR40383		CONNECTOR COLL.G5100 1/4F	1,00			--
0010	VTRS40017		WASHER D. 8.2X11,4X1.00	4,00			--
0011	PVVR40384		TUBE G 1/4" L.105	1,00			--
0012	RCIN40022		CONNECTOR SWIV G5100 1/4F	1,00			--
0013	MPVR40819		RING NUT G 5100 SW. BK.	1,00			--
0014	RCIN40021		JOINT SWIV 5100 M22	1,00			--
0015	S GUVR40075		ANTI-EXTR.RING D. 10 X14X1.5	1,00			--
0016	S GUVR40076		ANTI-EXTR.RING D. 11.2X14X1.2	1,00			--
0017	S GUGO15295	00015295	O-RING D. 10.82 X 1.78 VIT 75SH	1,00			--
0018	PVVR40386		SCREW SW. G 5100	1,00			--
0019	VTVR40047		PLUG D. 4X29	2,00			--
0020	MPVR40820		TRIGGER G 6000-SW	1,00			--
0021	MPVR40821		SAFETY-DEVICE G 6000-SW	1,00			--
0022	MPVR40822		SHELL G 6000-SW DX	1,00			--
0023	MPVR40823		PLATE G 6000 GR.DX	1,00			--
0024	PVVR40387		SMALL PISTON G 5100	1,00			--
0025	MLML40029		SPRING G 5100	1,00			--
0026	MPVR40824		SHELL G 6000-SW SX	1,00			--
0027	MPVR40825		PLATE G 6000 GR.SX	1,00			--
0028	VTVT40043		SCREW AF 4X 14 HILO ZN.N	12,00			--
0029	LCPR40086		TUBE 1/4 L=420 ZC. 0°	1,00			--
0030	MPVR40493		CONNECTOR G 5100-SW	1,00			--
0031	MPVR40494		PROTECTION P 420 C/AN.	1,00			--
0035	MPVR40198		CAP G 5000	1,00			--
0036	MPVR40495		CAP G 5100 REM.	1,00			--
0037	PVVR40119		CONNECTION M22X1,5 IRV G5000	1,00			--
0038	RCIN40009		GUDGEON G 1/4 F IRV G5000	1,00			--
0039	GUVR40034		ANTI-EXTR.RING D. 10 X14	1,00			--
0040	GUGO01946	00001946	O-RING D. 9.13 X 2.62 VIT 70SH	1,00			--



Ref. Part n.	Cust. part n.	Description	Reference	Price
KTRI40243		KIT P 26- 26 SWIVEL G 5100	0015 0016 0017	--
KTRI40414		KIT P 26- 34 G 6000	0002 0003 0005 0006	--