

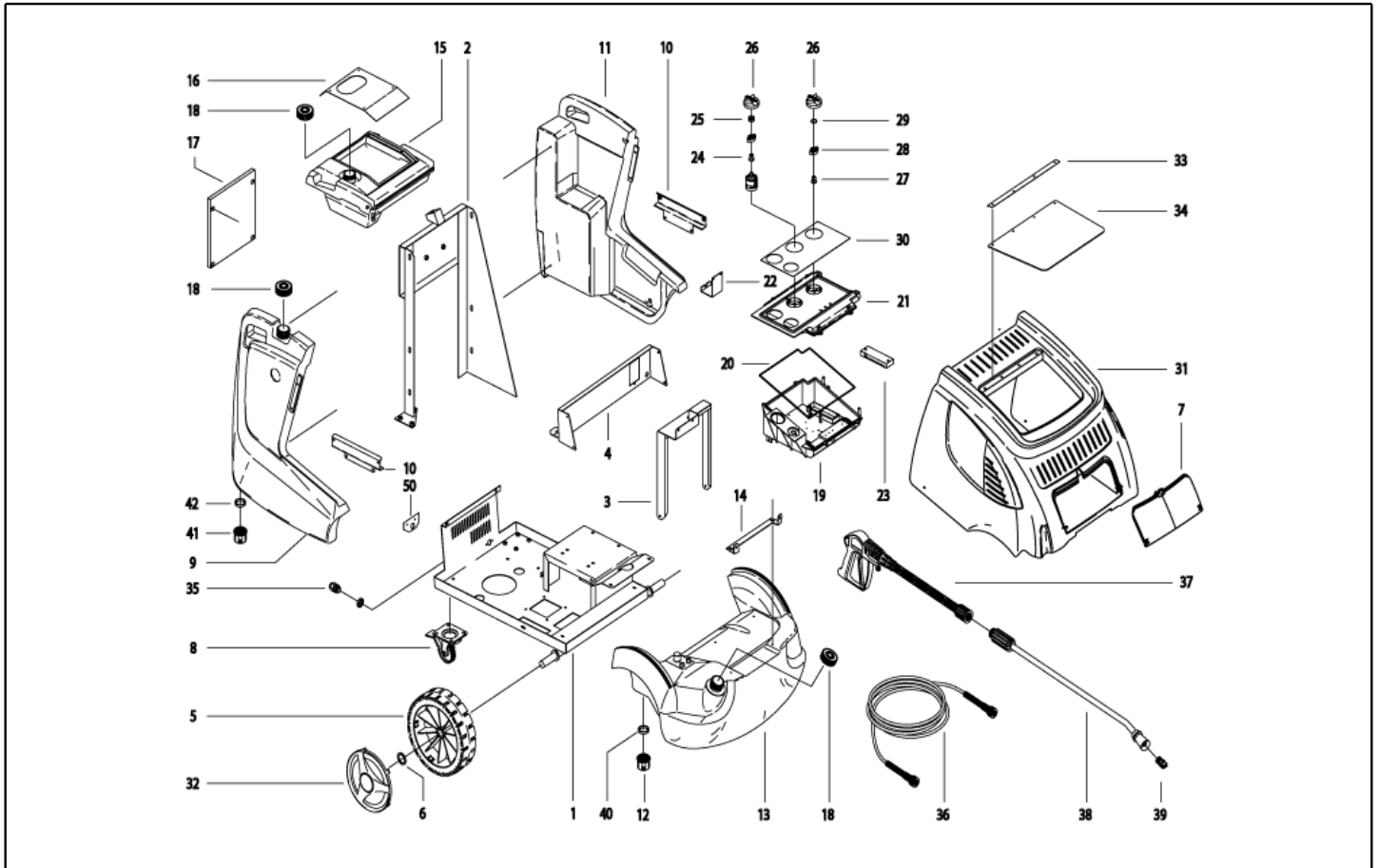


**IPC**

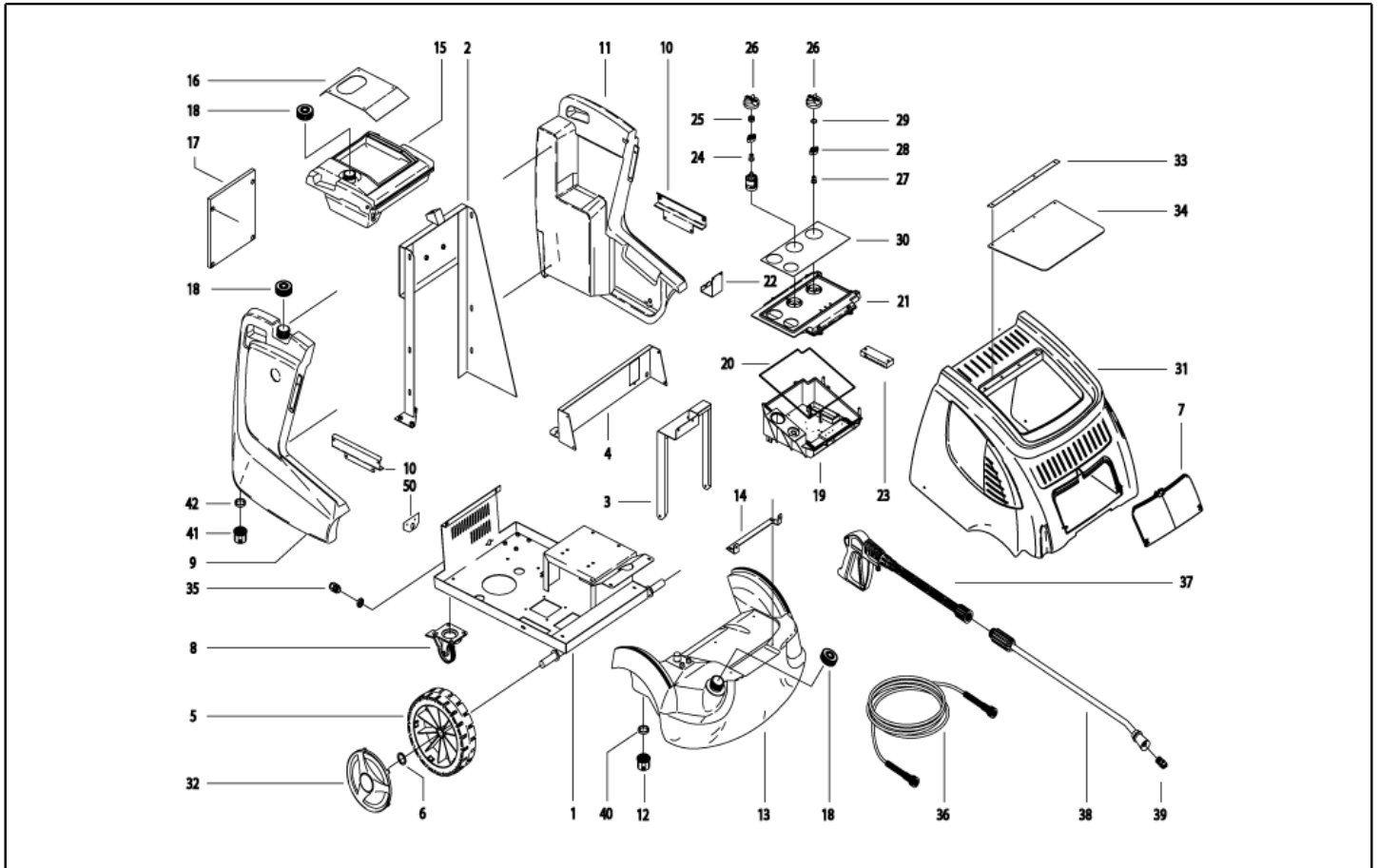
**Spare parts list**

Ref: IDAC44520

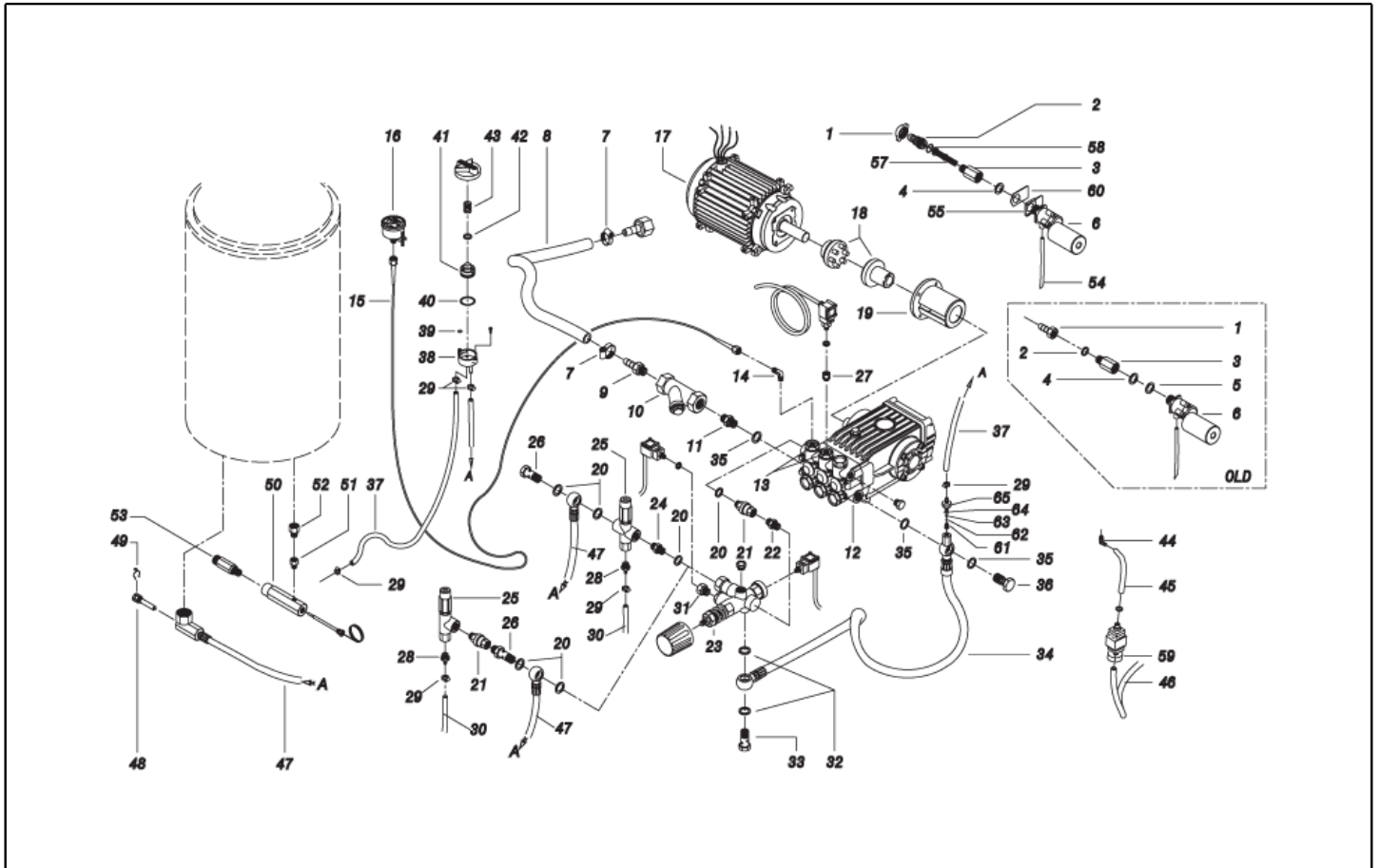
Model: H.P. CLEANER HPS DS 2015T 400/50 PRT



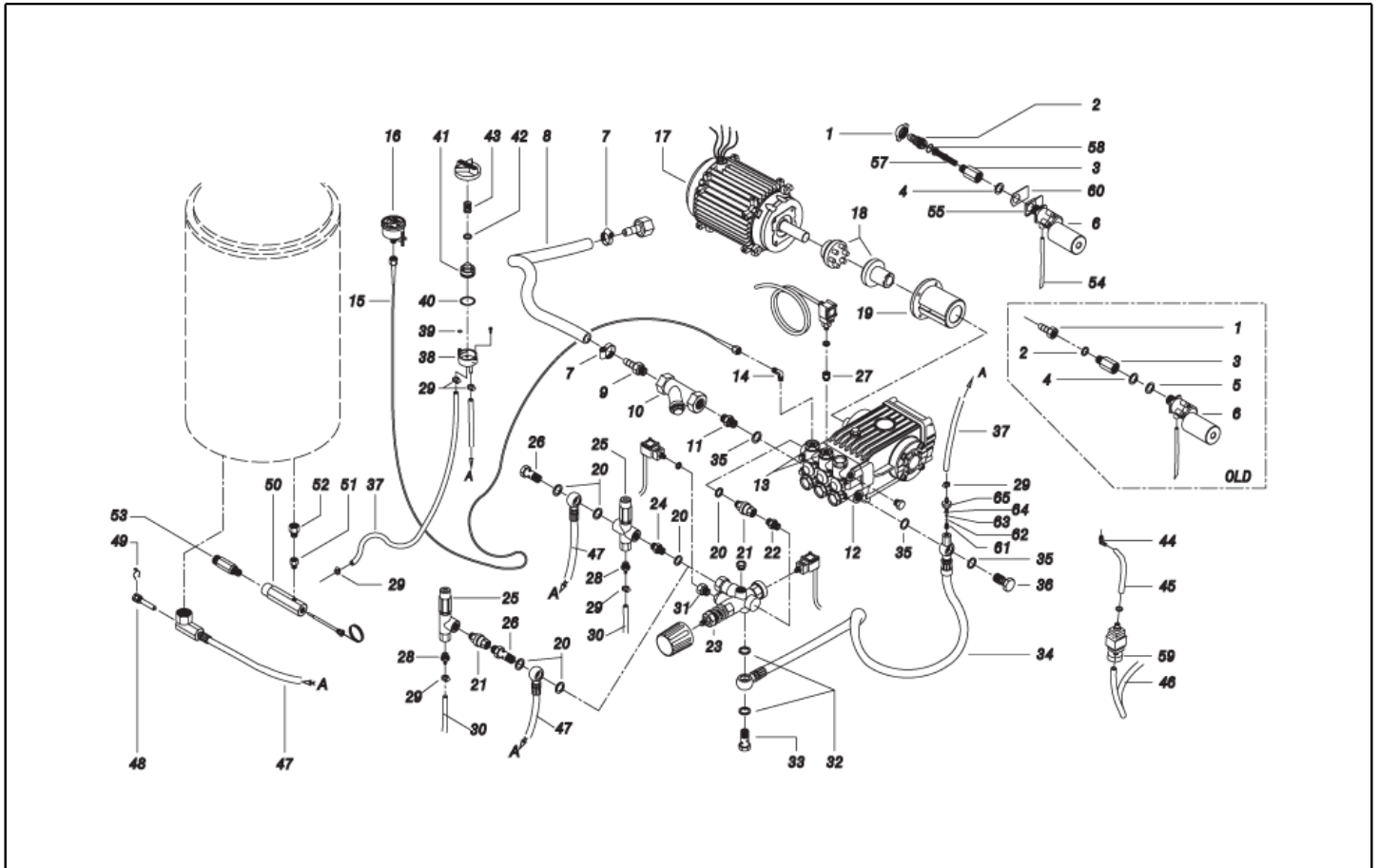
Ref. K	Part n.	Part n. 2	Description	Quantity	Validity		Price
					From	To	
0001	LAFN44276		CHASSIS P105	1,00			--
0002	LAFN44283		FRAME P105	1,00			--
0003	LAFN44269		SUPPORT P105	1,00			--
0004	LAFN44267		SUPPORT BRACKET P105	1,00		04/07/2008	--
0004	LAFN40115		SUPPORT BRACKET P105 2V.	1,00	15/04/2010		--
0005	RTRT45383		WHEEL D.305-D.25 RT-IPC	2,00	22/09/2001		--
0006	VTRS09813		WASHER D.25	2,00			--
0008	RTRT13708		TURNING WHEEL D.125 P. MZ.PLS	1,00			--
0009	MPVR85023		TANK P105 PEHD	1,00		28/02/2005	--
0009	MPVR88966		TANK P105 C/F.SC. PEHD	1,00	01/03/2005		--
0010	LAFN45458		BRACKET P105 LAT.	1,00	08/01/2002		--
0011	MPVR85024		WATER TANK ADM	1,00			--
0012	RCDS72851		CAP 1/2" F NYL	1,00	17/01/2006		--
0013	MPVR40020		FUEL TANK P105-HPS 2V. PEHD	1,00	05/04/2007		--
0013	MPVR45301		FUEL TANK P105-HPS	1,00		04/04/2007	--
0014	LAFN45456		BRACKET P105 ANT.	1,00	08/01/2002		--
0015	MPVR85026		TANK P105 PEHD	1,00		28/02/2005	--
0015	MPVR40093		TANK P105 C/BC. PEHD	1,00	01/06/2008		--
0015	MPVR88967		TANK P105 C/F G.1/2 PEHD	1,00	01/03/2005	31/05/2008	--
0016	LAFN44264		PANEL P105-HPS INX	1,00			--
0017	MPVR45293		BACK PANEL ADM-P105 PE	1,00			--
0018	MPVR40573		TANK CAP MHDS-SK	2,00	04/04/2002		--
0019	MPVR33248		CONTROL BOX MISTRAL PP	1,00	01/05/2008		--
0020	GUGO11309		JOINT MOUSSE D. 3	1,20	01/05/2008		--
0021	MPVR40023		BOX COVER MISTRAL C/F.MN.BK	1,00			--
0022	LAFN34423		SUPPORT BRACKET MST.S-P	1,00	01/05/2008		--
0023	MPVR33250		CABLE CLAMP COV MISTRAL	1,00	01/05/2008		--
0024	MPVR23482		SWITCH TANG TEC. TUV	1,00	01/05/2008		--
0025	GUGO23079		V-SEAL RING VA0014 13.5- 15.5	1,00	01/05/2008		--
0026	MPVR20190		GREY KNOB KSM	3,00		15/11/2007	--
0026	MPVR46511		GREY KNOB KSM C/F.FIS.	3,00	16/11/2007		--
0027	MPVR23484		TAIL PIECE THERM.KSM TUV	1,00	01/05/2008		--
0028	MPVR41903		THICKNESS TERM.IM.PA66	1,00	01/05/2008		--
0029	GUGO25527		O-RING D. 14 X 3 NBR 70SH	1,00	01/05/2008		--
0030	ETET40687		LABEL MST PR.II DS PLC	1,00			--
0031	MPVR40071		RED COVER P105 C/TP. PPL	1,00	01/01/2008		--
0031	MPVR44796		RED COVER HPS COMP. ABS	1,00		31/12/2007	--
0031	MPVR89194		RED THROTTLE P245 PPL	1,00	01/01/2008		--
0032	MPVR25910		RED HUB CAP D. 250 RT/PRT	2,00		21/09/2001	--
0032	MPVR45384		RED WHEEL COVER D. 305 RT-PRT	2,00	22/09/2001		--
0033	LAFN45294		HOSE CLIP P105-HPS INX	1,00			--
0034	MPVR44347		PROTECTION P105-HPS PVC	1,00			--
0035	MEVR33994		CABLE FASTNER 4228 B D. 6- 18	1,00			--
0036	TBAP16656		H.P. HOSE R2 MT 15 5/16" IRV F-SWIV	1,00			--



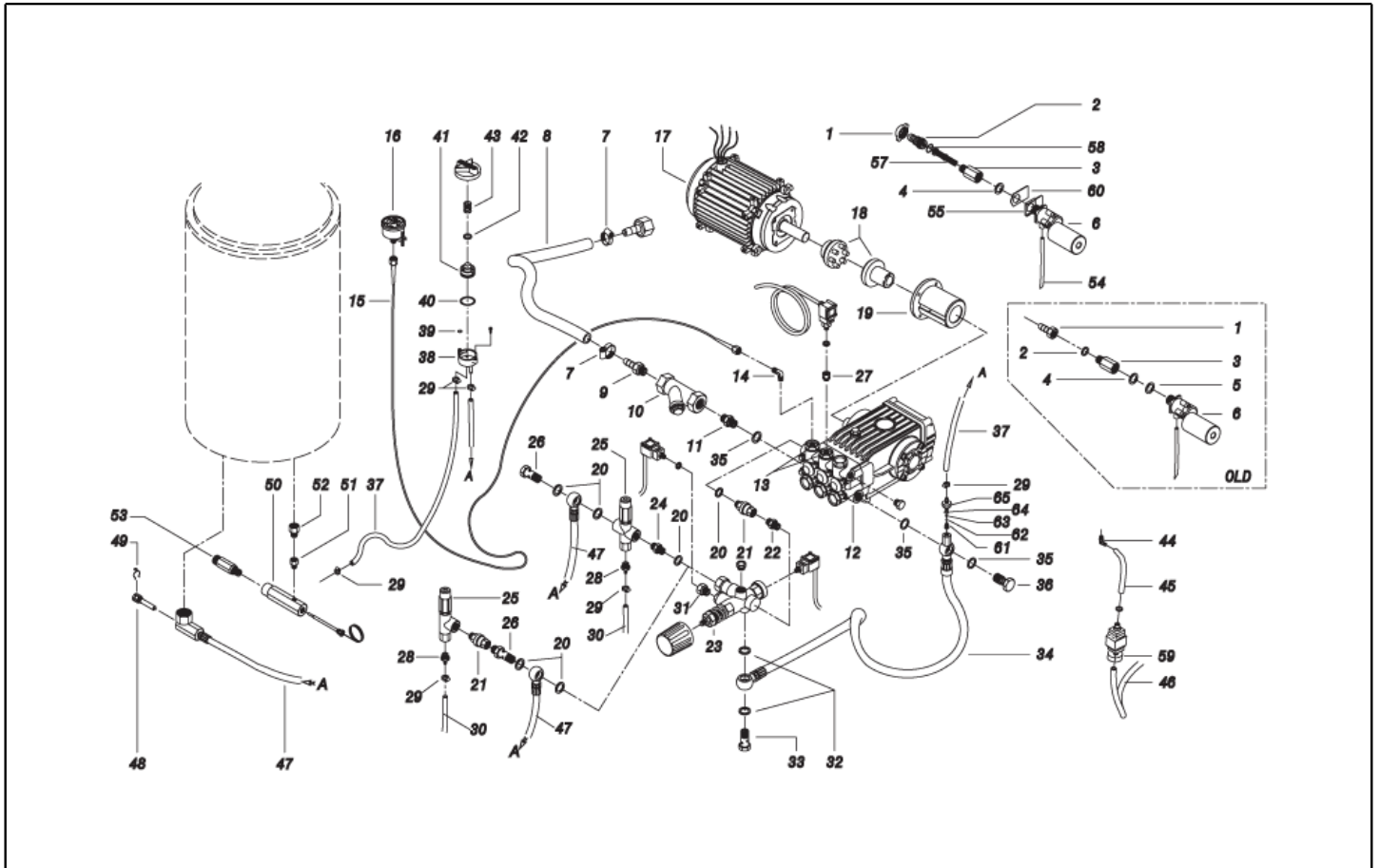
Ref. K	Part n.	Part n. 2	Description	Quantity	Validity		Price
					From	To	
0037	IPPR12973		GRIP ST 2000 - P 330 - M22 M V	1,00		14/03/2007	--
0037	IPPR89429		GRIP G 4500 - P.330 -M22SW.M V	1,00	15/03/2007	17/04/2014	--
0037	IPPR40016		GRIP G 5000+P.330 +M22 SW.M V2	1,00	18/04/2014	31/01/2016	--
0037	IPPR40020		GRIP G 6000+P.330 +M22 SW.M V	1,00	01/02/2016	14/06/2018	--
0037	IPPR40025		GRIP G 6000+P.330 +M22 SW.M 2V	1,00	15/06/2018		--
0038	LCPR12976		EXTENSION P 70	1,00		11/10/2001	--
0038	LCPR12983		DOUBLE EXTENS. PD 70	1,00	01/10/2010	09/11/2016	--
0038	LCPR89117		DOUBLE EXTENS. PD 70 M22 M -1/4F INX MV	1,00	10/11/2016		--
0039	UGLN03327		NOZZLE 1/4 25045	1,00		11/10/2001	--
0039	UGLN03327		NOZZLE 1/4 25045	2,00	12/10/2001	28/04/2006	--
0039	UGLN49992		NOZZLE LECH 1/4 25045	2,00	29/04/2006	30/09/2010	--
0039	UGLN49987		NOZZLE LECH 1/4 15045	2,00	01/10/2010		--
0040	GUGO45302		GASKET D. 20- 35 X 2.5	1,00		16/01/2006	--
0040	GUGO11489		GASKET D.22X1,5	1,00	17/01/2006		--
0041	PVVR11806		DISCHARGE CAP FLL	1,00	01/03/2005		--
0042	GUGO11489		GASKET D.22X1,5	1,00	01/03/2005		--
0050	LAFN40006		SUPPORT P105 2V. BK	1,00	01/07/2006		--
0051	MEVR27264		FUSE-HOLDER 031-1081	3,00			--
0052	GUGO01056		O-RING D. 18.72 X 2.62 NBR 70SH	1,00	01/06/2008		--
0053	GUGO01197		O-RING D. 22.22 X 2.62 NBR 70SH	1,00	01/06/2008		--
9999	KTRI86962		KIT S 35-12 ROLLER 20 NR HD	1,00			--



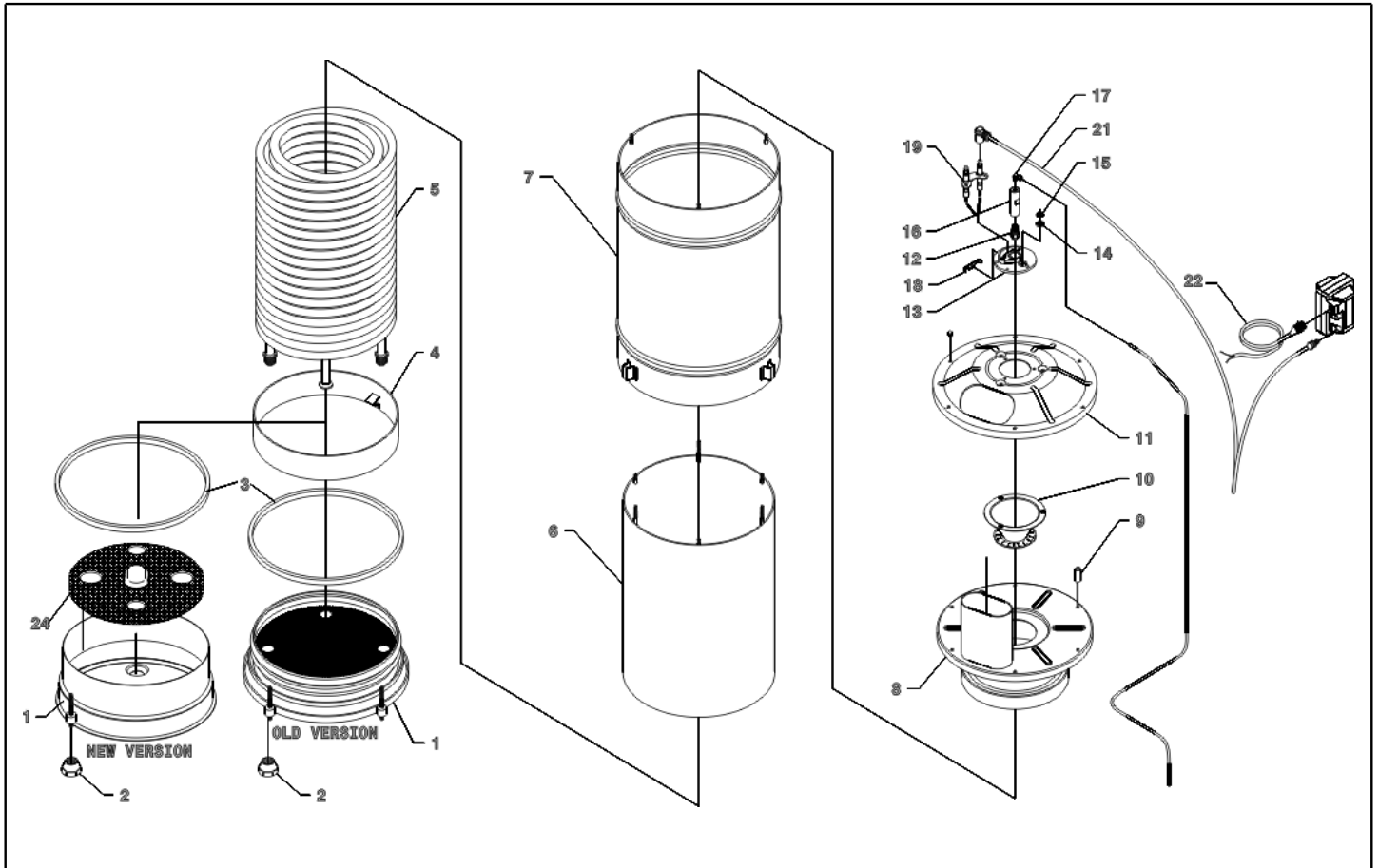
Ref. K	Part n.	Part n. 2	Description	Quantity	Validity		Price
					From	To	
0001	RCVR29600		SOCKET PTC 3/4 F	1,00		26/09/2002	--
0001	RCDS09316		CONNECTION G. 3/4	1,00	27/09/2002		--
0002	GUGO42220		GASKET D. 3/4" X2	1,00		26/09/2002	--
0002	RCVR29602		CONNECTOR D. 1/2"-5/8" PTC	1,00		26/09/2002	--
0002	RCDS08965		HOSE FITTING OTT.	1,00	27/09/2002		--
0003	RCDS45082		SLEEVE 3/4 M/F D.12-32 L.32 OT	1,00		26/09/2002	--
0003	RCDS47453		SLEEVE 3/4 M/F PTG. OT	1,00	27/09/2002	31/08/2004	--
0003	RCDS88499		SLEEVE 3/4 M/F PTG. L.68 OT	1,00	01/09/2004		--
0004	GUGO43071		GASKET D. 14- 24 X 4 70SH	1,00			--
0006	RCGR39997		FLOATER MTM 3/4G M 10BAR	1,00		26/09/2002	--
0006	RCGR60703		FLOATER MTM 3/4 PP. S/F.	1,00	27/09/2002		--
0007	FSVR00431		CLAMP D. 16-25	1,00			--
0008	TBBP15656		L.P. HOSE D.16-26 20BAR	0,60			--
0009	RCDS45363		HOSE FITTING 3/4 M D. 8-16 OT	1,00	19/01/2002		--
0009	RCDS45364		HOSE FITTING 3/4 M D. 9.5-16 OT	1,00	19/09/2001	18/01/2002	--
0010	FTAC33904		FILTER 3/4 F/F 2.VERS.	1,00			--
0011	RCDS00602		NIPPLE 3/4 - 1/2 CN D.13.5	1,00			--
0012	PPAP45189		PUMP WS151 SX LT 15 -150B. USA	1,00			--
0013	RCDS09059		CAP M24X2X16 + 1/4F OTT	2,00			--
0014	RCVR12430		ELBOW 1/4" M/M A15	1,00			--
0015	TBAP04437		POLYAMIDE HOSE L=420 1/4-1/4 F-F	1,00		28/02/2007	--
0015	TBAP40006		POLYAMIDE HOSE L=420 1/4 F-F	1,00	01/03/2007		--
0016	MNMN07992		PRESSURE GAUGE 0-250 D.50	1,00		18/11/2003	--
0016	MNMN49621		PRESSURE GAUGE 0-250 D.50 INOX	1,00	19/11/2003		--
0017	MOTR76242		3PH MOTOR B3-B14 HP 7.5 23/400-50 N	1,00		07/01/2002	--
0017	MOTR05780		3PH MOTOR B3-B14 HP 7.5 23/400-50 K	1,00	08/01/2002	30/06/2006	--
0017	MOTR40001		3PH MOTOR B3-B14 HP 7,5 23/400-50 C	1,00	23/02/2007		--
0017	MOTR48314		3PH MOTOR B3-B14 HP 7,5 23/400-50 D	1,00	01/07/2006	22/02/2007	--
0018	FGGT45222		FLEX. COUPLING IP WW	1,00		17/10/2004	--
0018	FGGT88466		FLEX. COUPLING P105 HP 7.5 CPL.	1,00	18/10/2004	22/02/2007	--
0018	FGGT88467		FLEX. COUPLING P105 HP 9.0 CPL.	1,00	23/02/2007		--
0019	MFVR15245		FLANGE HP 5.5 W 151 ZF151	1,00		22/02/2007	--
0019	MFVR89552		FLANGE MOTOR H 112 B14-P237 9HP	1,00	23/02/2007		--
0020	VTRS12492		WASHER 3/8	2,00		30/11/2015	--
0020	VTRS40026		WASHER 3/8 ZC + NBR 85SH	2,00	01/12/2015		--
0020	VTRS12492		WASHER 3/8	1,00	11/02/2010	30/11/2015	--
0020	VTRS40026		WASHER 3/8 ZC + NBR 85SH	1,00	01/12/2015		--
0021	RCVR00563		SWIVEL RACCORD 3/8 M/F	1,00	16/02/2004		--
0022	RCDS00610		NIPPLE 3/8 - 3/8 SV	1,00	17/02/2012		--
0023	VVAZ40027		VALVE VRT3 3/8F 25MPa +PP1/4F	1,00	17/02/2012		--
0023	VVAZ45134		VALVE MV 550 2.G3/8F	1,00	16/02/2004	16/02/2012	--
0024	RCDS12121		NIPPLE 3/8 - 3/8 SV/CN	1,00		15/02/2004	--
0025	VVSC40541		VALVE VS 220 2 G3/8 F	1,00		15/02/2004	--
0025	VVSC21627		VALVE VS 220 G3/8	1,00	16/02/2004	19/06/2010	--



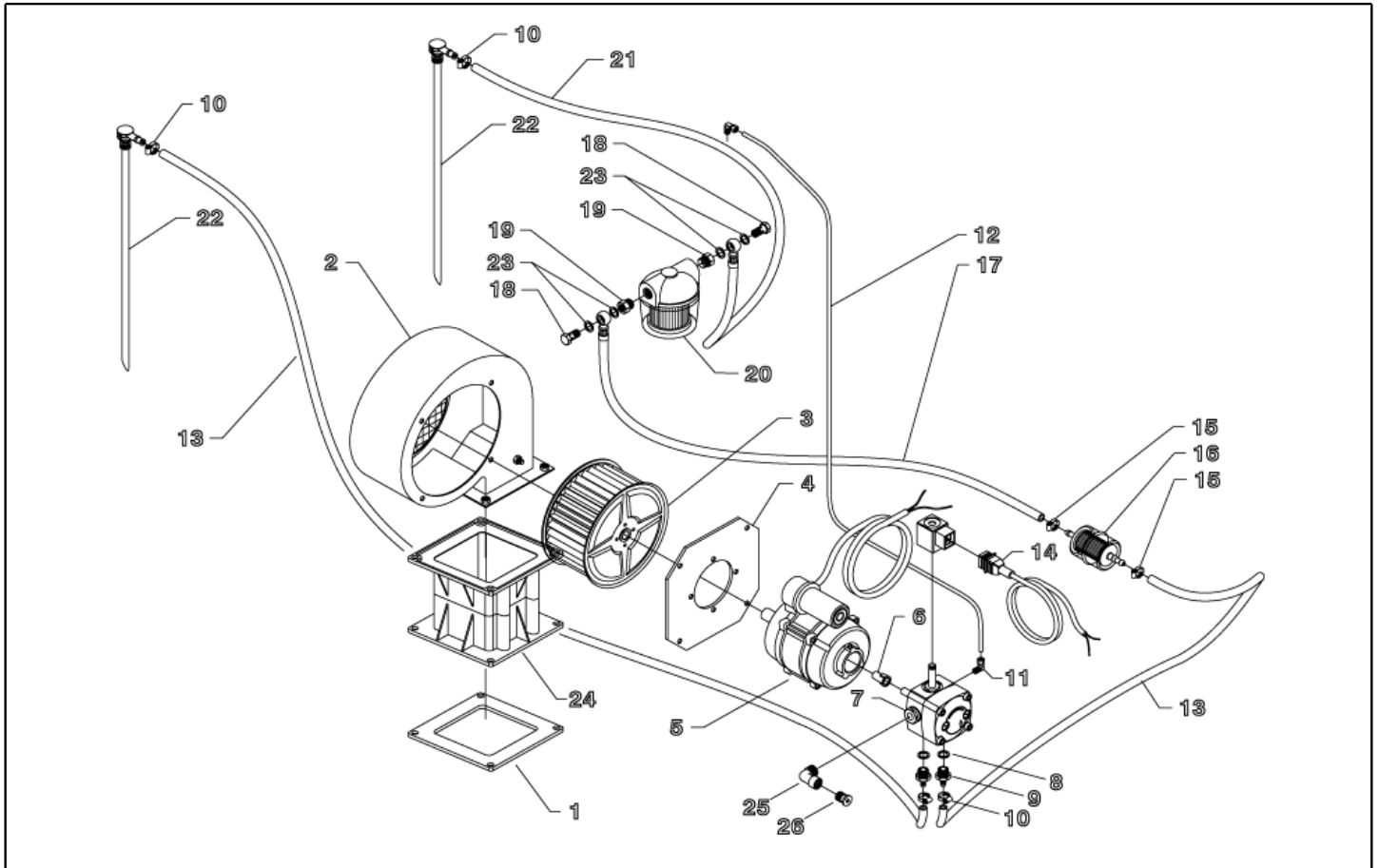
Ref. K	Part n.	Part n. 2	Description	Quantity	Validity		Price
					From	To	
0025	VVSC40005		VALVE MR 401 G3/8	1,00	20/06/2010		--
0026	RCDS01371		SCREW G 3/8 A.P.	1,00		15/02/2004	--
0026	RCDS11778		SCREW G 3/8 + 3/8M	1,00	16/02/2004		--
0027	RCVR02596		SLEEVE 1/4 M/F A5	1,00		24/04/2002	--
0027	VTRS40960		WASHER D.13.5X19 X4 AL.	1,00	25/04/2002		--
0028	RCDS03514		HOSE FITTING 3/8 M D. 5- 7	1,00	16/02/2004		--
0029	FSVR00427		CLAMP D. 12 CLIC 66-110	1,00			--
0030	TBBP04917		L.P. HOSE D. 6- 9	0,60		30/04/2012	--
0030	TBBP93804		L.P. HOSE D. 6- 9	0,60	01/05/2012		--
0031	RCVR00644		REDUCTION 1/4-1/8 M/F	1,00	17/02/2012		--
0032	VTRS00548		WASHER D.17,5X23X1,5 (3/8)RM	2,00	17/02/2012		--
0032	VTRS04931		WASHER COPPER D.13X19X1.5	2,00	04/02/2012	16/02/2012	--
0032	VTRS12821		WASHER D.14X18,7X1,25 1/4 GM	2,00		03/02/2012	--
0033	RCDS01371		SCREW G 3/8 A.P.	1,00	17/02/2012		--
0033	RCDS02612		SCREW G 1/4 A.P.	1,00		16/02/2012	--
0034	TBBP47907		BY-PASS HOSE L=390 1/2+C.VL.-3/8OC 90°	1,00	17/02/2012		--
0034	TBBP15914		BY-PASS HOSE L=390 1/2+C.VL.-1/4OC 90°	1,00		16/02/2012	--
0035	VTRS12491		WASHER 1/2	2,00		30/11/2015	--
0035	VTRS40027		WASHER 1/2 ZC + NBR 85SH	2,00	01/12/2015		--
0036	RCDS33982		SCREW 1/2 C/SC. L=41.5 D.13.5	1,00			--
0037	TBBP00051		DETERGENT HOSE D. 6-12	0,90			--
0038	RCGR08069		TAP BODY DET. PRT	1,00			--
0039	GUGO08071		O-RING D. 4.48 X 1.78 NBR 70SH	1,00			--
0040	GUGO12183		O-RING D. 23.4 X 3.53 VIT 70SH	1,00			--
0041	RCGR08070		ADJUSTER PRT	1,00			--
0042	VTRS00542		WASHER D.14X20	1,00			--
0043	MLML08068		SPRING D.1,5 L.23	1,00			--
0046	TBBP00058		L.P. HOSE D. 4- 7	0,50			--
0046	TBBP00058		L.P. HOSE D. 4- 7	0,40	01/06/2008		--
0047	TBAP44709		HOSE-FITTING 3/ 8 R2 L=710 3/8O-1/2PMG	1,00			--
0048	RCDS00593		SUMP IM 0-120 L=50	1,00			--
0049	MLML02623		SPRING IMT	1,00			--
0050	RCDS19322		BLOC BODY 3/8F-M14	1,00			--
0051	VTDD19324		NUT G 1/2	1,00			--
0052	RCDS19326		CONNECTOR M 14	1,00			--
0053	RCDS44542		CONNECTOR M22 M -3/8M L=100 OT.	1,00			--
0054	TBBP17436		L.P. HOSE D.12-14 RILSAN NT.	0,15	27/09/2002		--
0055	LAFN47452		BRACKET P105 INX	1,00	27/09/2002	31/08/2004	--
0055	LAFN88500		BRACKET P105 INT. INX	1,00	01/09/2004		--
0057	FTAC09717		FILTER D.15X37	1,00	27/09/2002		--
0058	GUGO01054		O-RING D. 15.08 X 2.62 NBR 70SH	1,00	27/09/2002		--
0059	MPVR44324		SUPPORT NM1-P105 PVC	1,00		02/10/2002	--
0059	MPVR47772		SUPPORT NME1-P105 PVC	1,00	03/10/2002	14/04/2010	--
0060	LAFN88501		BRACKET P105 EST. INX	1,00	01/09/2004		--



Ref. K	Part n.	Part n. 2	Description	Quantity	Validity		Price
					From	To	
0061	MLML21505		SPRING D. 8 X5 X0.3	1,00	17/02/2012		--
0062	SFVR04274		BALL D. 7/32	1,00	17/02/2012		--
0063	GUGO01055		O-RING D. 5.28 X 1.78 VIT 70SH	1,00	17/02/2012		--
0064	GUGO01036		O-RING D. 10.82 X 1.78 NBR 70SH	1,00	17/02/2012		--
0065	RCDS10546		VALVE SEAT 1/4M + PG. D.3-7.5 OTT	1,00	17/02/2012		--
9999	MORT88919		EL.MOT. ROTOR 5-7.5HP T 4P H112 B14/C K	1,00			--
9999	MFVR88920		FLANGE MOTOR 4P H112 RK -B14/CU.	1,00			--

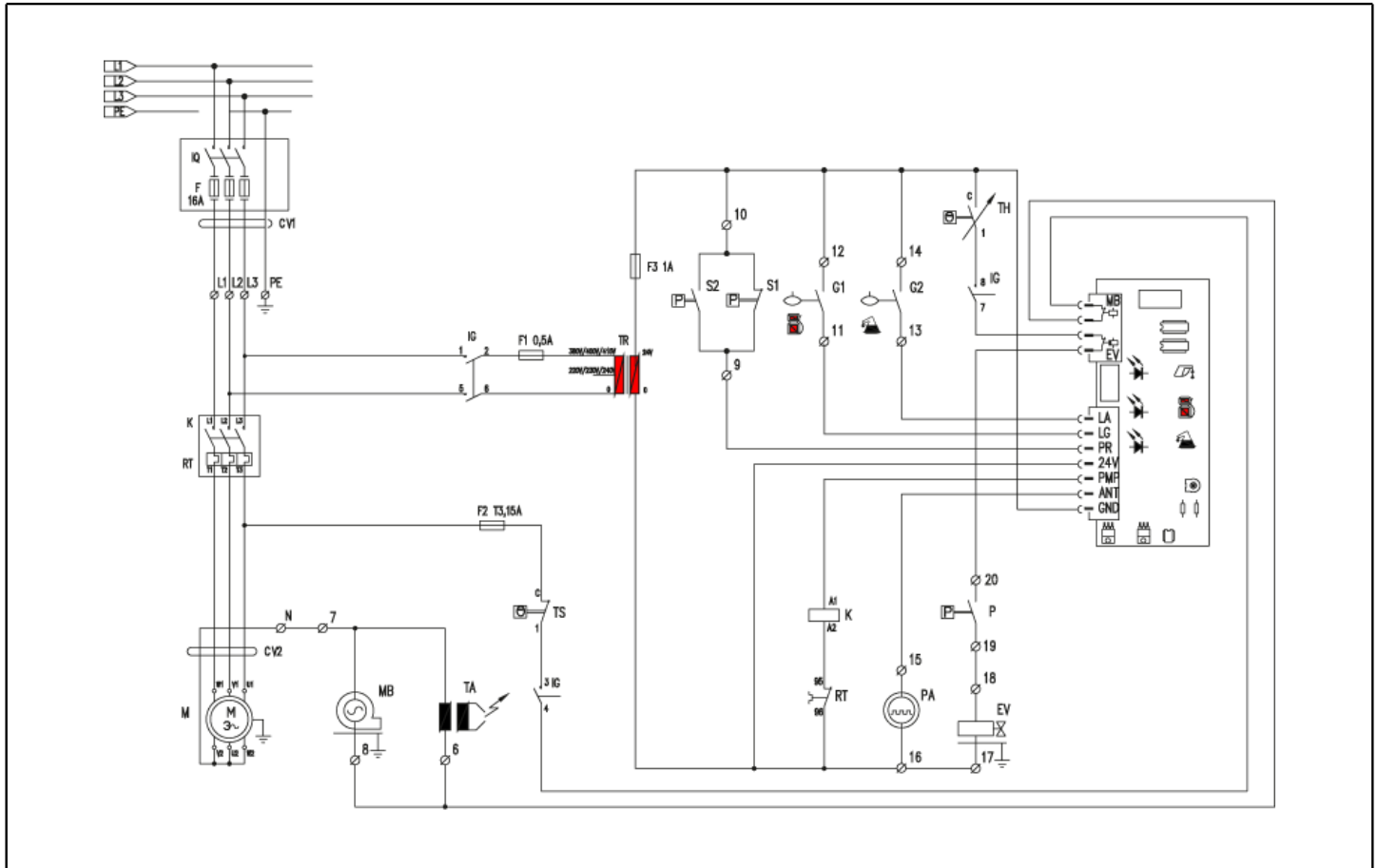


Ref. K	Part n.	Part n. 2	Description	Quantity	Validity		Price
					From	To	
0001	LAFN12715		BOILER BOTTOM FUT	1,00		09/03/2008	--
0001	LAFN40038		BOILER BOTTOM FUT. 2V. BK	1,00	10/03/2008		--
0002	RCDS00561		RING NUT 1/2 OTT	2,00			--
0003	GUVR35205		GASKET D. 7 FIB.	1,02			--
0004	LAFN11708		METAL STRIP FUT	1,00		09/03/2008	--
0005	LAFN38136		DOUBLE COIL 3/8 MST 40MT 200B.	1,00			--
0006	LAFN08244		INT. CYLINDER J.FUT INX	1,00		09/03/2008	--
0006	LAFN40076		INT. CYLINDER J.FUT 2V.INX	1,00	10/03/2008		--
0007	LAFN08242		EXT. CYLINDER J.FUT INX	1,00			--
0008	LAFN08072		BOILER COVER SI FUT INX	1,00			--
0009	LAFN09096		SPACER 10X28,5	3,00			--
0010	LAFN08042		BAFFLE FUT	1,00			--
0011	LAFN07676		BOILER COVER SE FUT INX	1,00			--
0012	UGBR31344		BURNER NOZZLE 1.75 60 S	1,00			--
0013	MFVR18226		ELECTR.HOLDER FUT 3°V	1,00			--
0014	MPVR18228		OIL WARN-LIGHT D.17 X3	1,00			--
0015	VTAE22633		SEEGER 0.4 X18,30X10,5	1,00			--
0016	RCDS07642		NOZZLE HOLDER FUT	1,00			--
0017	RCVR08954		ELBOW 1/8"-4 B5	1,00	01/03/2015		--
0017	RCVR08954		ELBOW 1/8"-4 B5	1,00		30/06/2013	--
0017	RCVR14014		BI-CONE CONNEC. DTT 1/8" M B1 D. 2/ 4 NIK	1,00	01/07/2013	31/10/2013	--
0017	RCVR72867		CONNECTOR A "T" 1/8" FFM	1,00	01/07/2013	31/10/2013	--
0017	RCVR40126		BI-CONE CONNEC. T 1/8" M/F D. 4/ 6C NK.	1,00	01/11/2013	28/02/2015	--
0017	RCVR89230		CAP G 1/8 M C/O-RING.	1,00	01/07/2013	28/02/2015	--
0018	LAFN07641		PLATE INX	1,00			--
0019	MECA12525		ELECTRODE FUT	1,00			--
0020	VTDD05907		NUT M 6 CIE.	6,00			--
0021	MECV35335		CABLE A.T. 9.8-23KOHM/M L= 500P	2,00	01/05/2008		--
0022	MECB34463		CABLE BT L=800 SP. FD	1,00	01/05/2008		--
0024	ITTE48421		BOTTOM FUT C.TE	1,00	10/03/2008		--

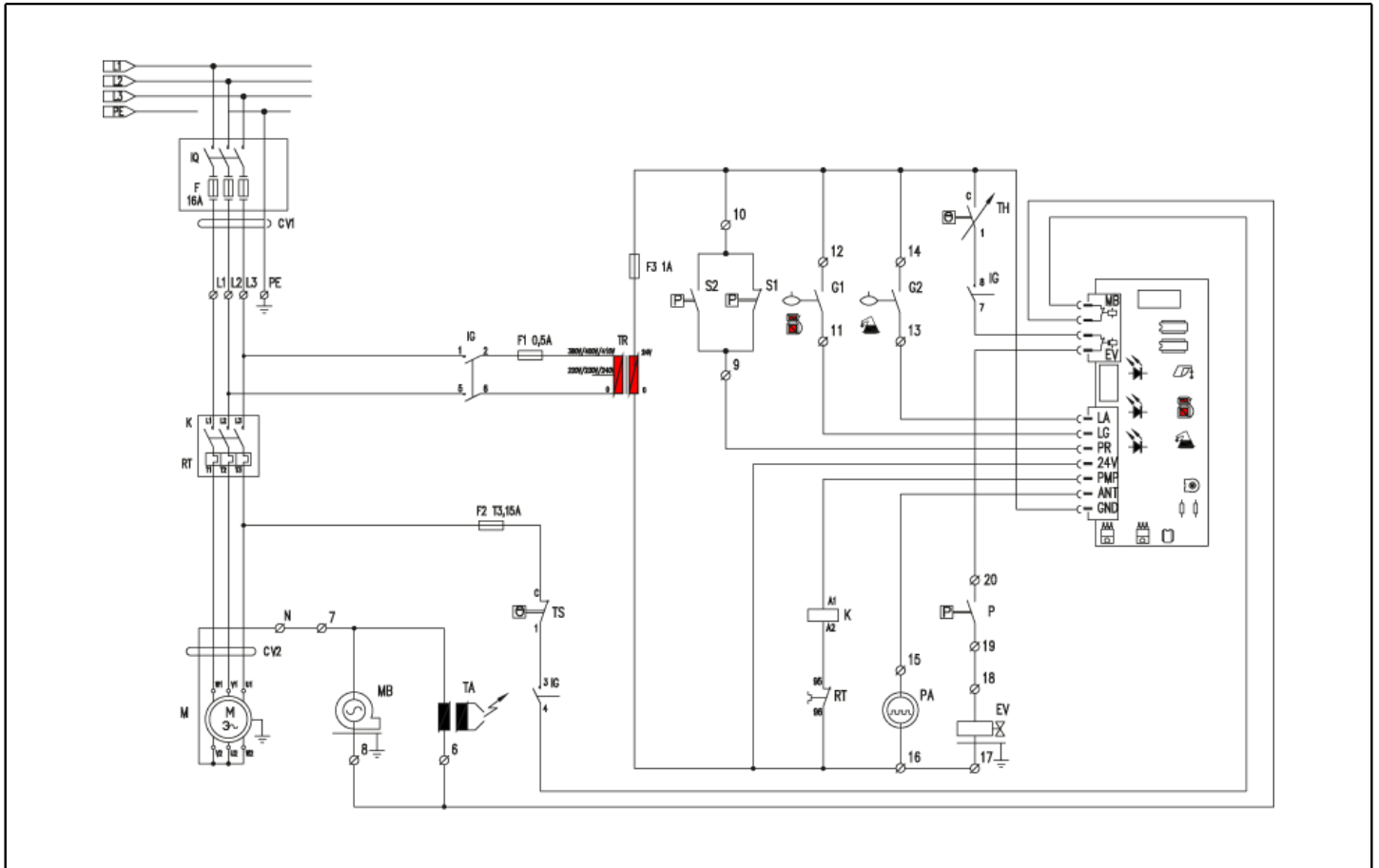


Ref. K	Part n.	Part n. 2	Description	Quantity	Validity		Price
					From	To	
0001	GUGO11214		GASKET FLL	1,00		14/05/2007	--
0001	GUGO40003		GASKET CB4	1,00	15/05/2007		--
0002	LAFN44325		SCROLL CB4 -P105	1,00		14/05/2007	--
0002	MPVR40010		SCROLL CB4 -2PZ.CP	1,00	15/05/2007	05/11/2015	--
0002	MPVR40665		SCROLL CB4 -2PZ.GR.	1,00	06/11/2015		--
0003	VEVR34275		IMPELLER D.160-80 D.12.7 36P B.SX	1,00			--
0004	LAFN10272		MOTOR PLATE CB 3	1,00			--
0005	MOMB34119		BURNER MOTOR 230-50 IP44 150W A.OR	1,00			--
0006	KTRI36516		KIT P 18- 9	1,00			--
0007	PPGS27370		FUEL PUMP DLT VM1LR25	1,00		31/12/2004	--
0007	FTCO88927		FUEL FILTER S.AL	1,00	01/01/2005		--
0007	PPGS40005		FUEL PUMP DNF BFA 01L3R2	1,00	01/05/2008		--
0007	PPGS88592		FUEL PUMP DLT ALLUM. A1L2	1,00	01/01/2005	30/04/2008	--
0008	VTRS04931		WASHER COPPER D.13X19X1.5	2,00			--
0009	RCDS00626		HOSE FITTING 1/4 M D. 5- 7	2,00			--
0010	FSVR00427		CLAMP D. 12 CLIC 66-110	2,00			--
0011	RCVR08954		ELBOW 1/8"-4 B5	1,00			--
0012	TBCO40038		DIESEL HOSE P105 40MT D. 4 IX	1,00	20/07/2014		--
0012	TBCO45038		DIESEL HOSE P105 40MT D. 4	1,00		19/07/2014	--
0013	TBCO06945		L.P. HOSE D. 6-12 10BAR C.PRESS	0,30	01/05/2008		--
0013	TBCO06945		L.P. HOSE D. 6-12 10BAR C.PRESS	0,50	01/05/2008		--
0013	TBCO06945		L.P. HOSE D. 6-12 10BAR C.PRESS	0,20	01/05/2008		--
0014	MECB18118		CABLE DLT L=1.600	1,00	01/05/2008	31/10/2010	--
0014	MECB46130		CABLE DLT L=1100	1,00	01/11/2010		--
0015	FSVR11197		CLAMP D.12.9-13.6	1,00	01/05/2008		--
0016	FTCO40003		FUEL FILTER FB 7/TA 60mc NYL.	1,00	08/04/2010	24/02/2016	--
0016	FTCO40004		FUEL FILTER FB 7/T 60mc NYL.	1,00	25/02/2016		--
0017	TBBP34456		L.P. HOSE L= 180 1/4OC.-LIB.	1,00		30/04/2008	--
0018	RCDS02612		SCREW G 1/4 A.P.	2,00		30/04/2008	--
0019	RCVR02607		REDUCTION 3/8-1/4 M/F	2,00		05/02/2002	--
0020	FTCO30578		FUEL FILTER 3/8 0.1-SP	1,00		30/04/2008	--
0021	GUGO21638		O-RING D. 7.60 X 2.62 NBR 70SH	1,00	19/01/2002	16/01/2006	--
0021	GUGO28327		O-RING D. 7.51 X 3.53 NBR 70SH	1,00	17/01/2006		--
0021	TBBP44517		L.P. HOSE L= 750 1/4OC.-LIB. 6X12	1,00		30/04/2008	--
0022	RCDS20136		SUCTION L= 355 C.	2,00		18/01/2002	--
0022	RCDS46247		SUCTION L=213 CPL	1,00	19/01/2002		--
0022	RCDS20137		SUCTION BODY KSM	1,00	19/01/2002		--
0022	RCVR02607		REDUCTION 3/8-1/4 M/F	1,00	06/02/2002	30/04/2008	--
0022	RCVR38072		REDUCTION 3/8-1/4 M/F A4/Z SKD.F	1,00	06/02/2002	30/04/2008	--
0023	VTRS12821		WASHER D.14X18,7X1,25 1/4 GM	4,00		30/04/2008	--
0024	MPVR40667		CONVEYOR CB4-P105 2PZ.GR.	1,00	06/11/2015		--
0025	RCVR34780		ELBOW 1/8" M/F A10	1,00	01/03/2015		--
0026	RCVR89230		CAP G 1/8 M C/O-RING.	1,00	01/03/2015		--

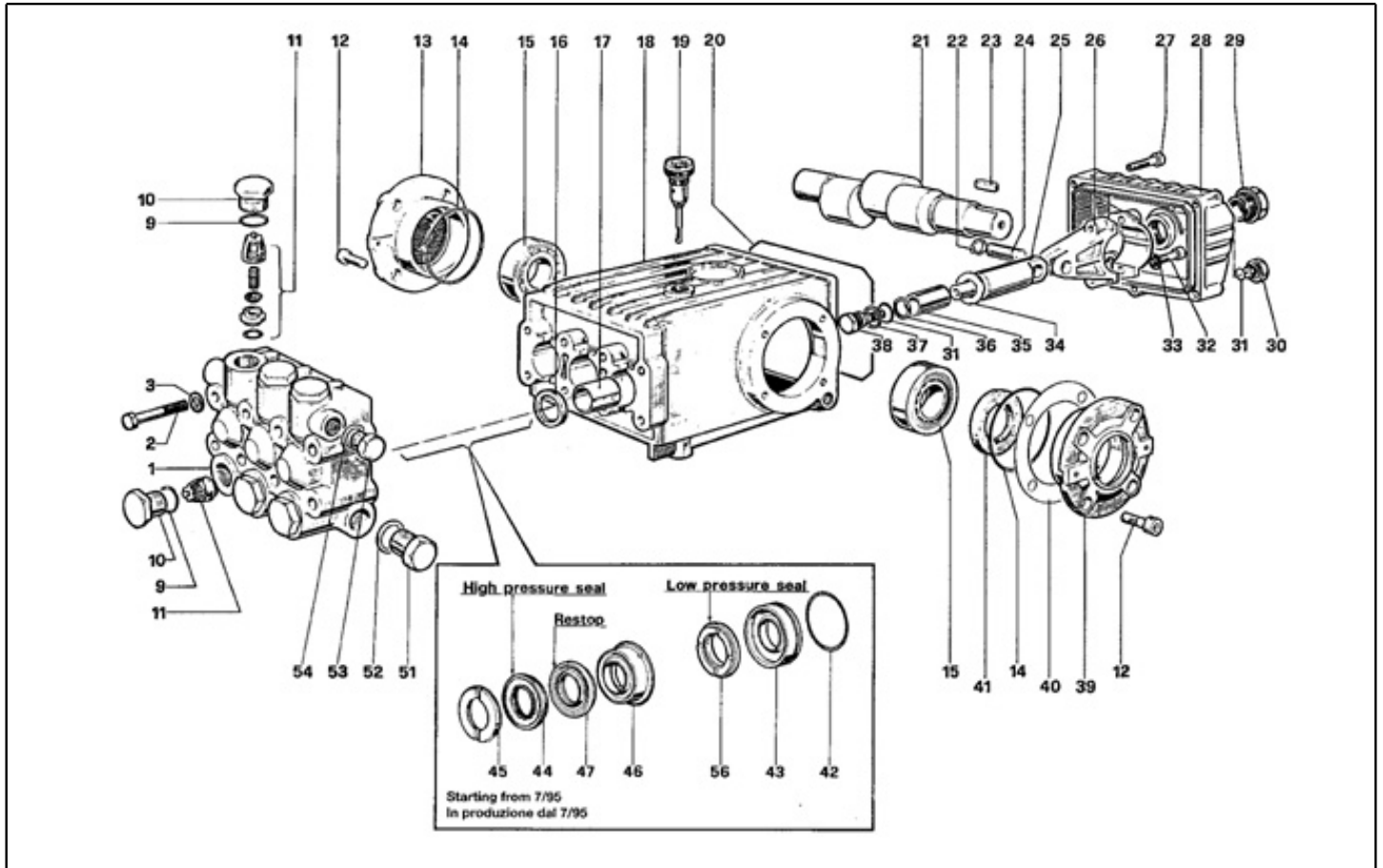




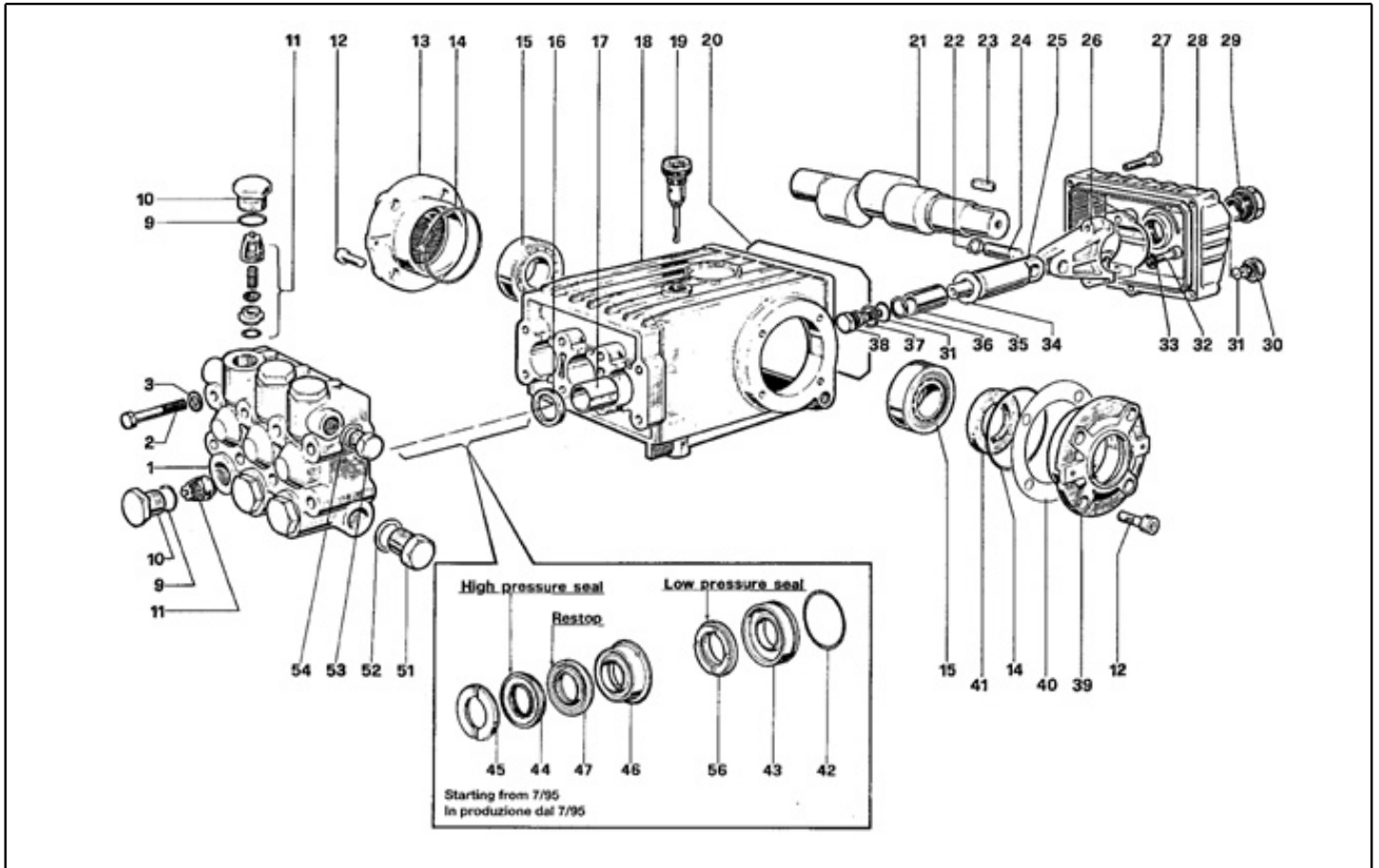
Ref. K	Part n.	Part n. 2	Description	Quantity	Validity		Price
					From	To	
K	METT24414		CONTACTOR SIE 3TF 4110 OAC2- 24V	1,00		08/10/2001	--
K	METT41888		CONTACT SIE N.A. 3RH19 21-1EA11	1,00	01/05/2008	31/01/2010	--
K	METT40014		CONTACTOR SIE 3RT 2018-1AB01 24V	1,00	05/09/2014		--
K	METT45025		CONTACTOR SIE 3RT 1024 1AC20 24V	1,00	01/05/2008	04/09/2014	--
P	MEPF39902		PRESSURE SWITCH MTM 1/4M NA/NC 25B. MICRO	1,00	01/05/2008	31/05/2012	--
P	MEPF76254		PRESSURE SWITCH PR 5 1/4M 25BAR	1,00	01/06/2012		--
T	METY33753		TIMER 3 S. MST 24V	1,00		31/08/2005	--
EC	MECE40708		PCB MISTRAL PR.II T-ST/MP/LIV	1,00	11/02/2002	10/02/2002	--
EC	MECE45448		PCB P105 T-ST/MP/LIV. STOP30'	1,00	11/02/2002	31/08/2005	--
EC	MECE40004		PCB P245 T-ST/MP/L.2V.S30'+3"	1,00	01/02/2010		--
EC	MECE89083		PCB P105 T-ST/MP/LIV. S30'+3"	1,00	01/05/2008	31/01/2010	--
EV	MEBE22173		COIL DLT 24-50	1,00		31/12/2004	--
EV	MEBE48504		COIL DLT 24-50 NF84	1,00	01/01/2005	30/04/2008	--
EV	MEBE43704		COIL DNF 24-50	1,00	01/05/2008		--
F1	MEVR09010		FUSE 5X20 0,5A	1,00	01/05/2008		--
F2	MEVR00237		FUSE 5X20 3,15A	1,00	01/05/2008		--
F3	MEVR02824		FUSE 5X20 1A	1,00	01/05/2008		--
G1	MECI34444		SWITCH REED N.C.H185 L=1300	1,00		04/04/2007	--
G1	MECI40005		SWITCH REED N.C.H215 FST+OR	1,00	15/01/2008		--
G1	MECI40001		SWITCH REED N.A.H215 FST+OR	1,00	05/04/2007	14/01/2008	--
G2	MECI46804		SENSOR LEVEL S1.PML.M16 +KIT GU/DA-FST	1,00	29/07/2002	11/10/2002	--
G2	MECI40006		SENSOR LEVEL S1.PML.XD.FPJ FST.	1,00	01/06/2008		--
G2	MECI49945		SENSOR LEVEL S1.PML.15NO-FST +G.1/2	1,00	01/03/2005	31/05/2008	--
IG	MECI40017		COMMUTAT.SWITCH 0-1-2 UN.	1,00	15/01/2011		--
IG	MECI40544		COMMUTAT.SWITCH 0-1-2 HD12H022-R000	1,00	01/05/2008	14/01/2011	--
LC	MECE34831		FILTER LC F.AH.DA.3100ZF 6.5A	1,00		30/04/2008	--
PA	MEPD25575		DESCALING PUMP NME-1 24V CPL.	1,00		02/10/2002	--
PA	MEPD45940		DESCALING PUMP NME 1 24V 50/60HZ	1,00	03/10/2002	11/10/2002	--
PA	MEPD45940		DESCALING PUMP NME 1 24V 50/60HZ	1,00	12/10/2002		--
RT	METT24503		THERMAL RELAY SIE 3UA5000-2S 10 -14.5A	1,00		08/10/2001	--
RT	METT40035		THERMAL RELAY SIE 3RU2116-4AB0 11-16 A	1,00	05/09/2014		--
RT	METT45026		THERMAL RELAY SIE 3RU1126-4AB0 11-16 A	1,00	01/05/2008	04/09/2014	--
S1	MEPF39741		PRESSURE SWITCH MTM 1/8M NA/NC 25B. MICRO	1,00	01/05/2008	31/05/2012	--
S1	MEPF40014		PRESSURE SWITCH PR 5 1/8M 25BAR RD.	1,00	01/06/2012		--
S2	MEPF40009		PRESSURE SWITCH PR 5 3/8M 25BAR	1,00	01/06/2012		--
S2	MEPF45229		PRESSURE SWITCH MTM 3/8M NA/NC 25B. MICR	1,00	01/05/2008	31/05/2012	--
TA	METR88630		TRANSFORMER 23/240V-5/60HZ 2X26KV TR.	1,00	01/05/2008		--
TA	METR34464		TRANSFORMER 230V-50HZ 2X4000V SP4 CM	1,00		30/04/2008	--
TH	METK19354		THERMOSTAT 0-150° L=1500	1,00	01/05/2008	14/12/2010	--
TH	METK40006		THERMOSTAT 0-150° L=1500 S&R	1,00	15/12/2010	31/12/2012	--
TH	METK40011		THERMOSTAT 0-150° L=1500 F&C	1,00	01/01/2013		--
TR	METR11977		TRANSFORMER 35VA 230-400/24 50/60HZ	1,00		04/02/2008	--
TR	METR40003		TRANSFORMER 35VA 230-400/24 5/60HZ PM	1,00	01/05/2008		--
TS	METK34839		THERMOSTAT 60°C TR/711-N C.1.5	1,00	01/05/2008		--



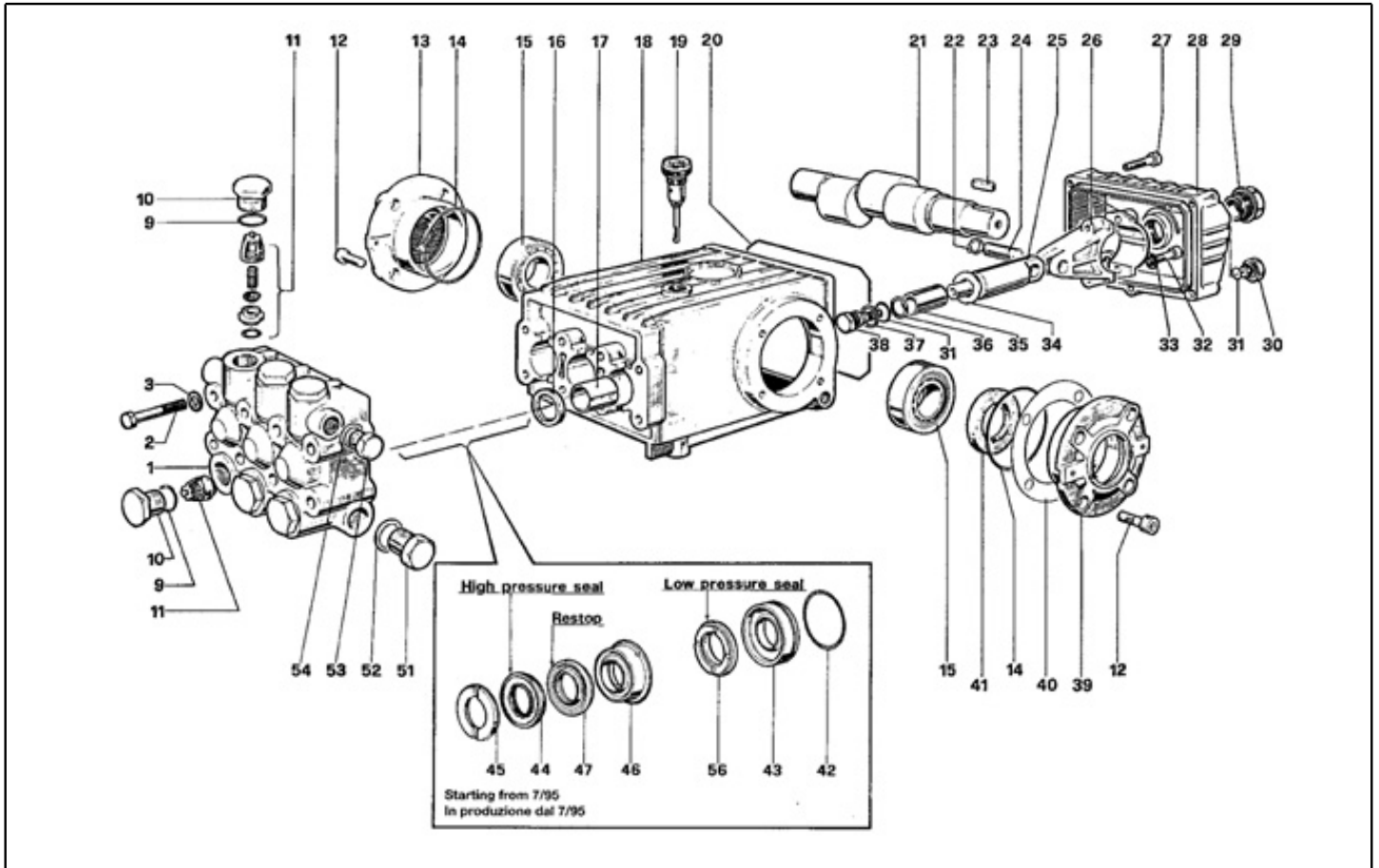
Ref. K	Part n.	Part n. 2	Description	Quantity	Validity		Price
					From	To	
CV1	MECB17414		CABLE H07 RNF 4X2.5 L=6.500	1,00	01/05/2008		--



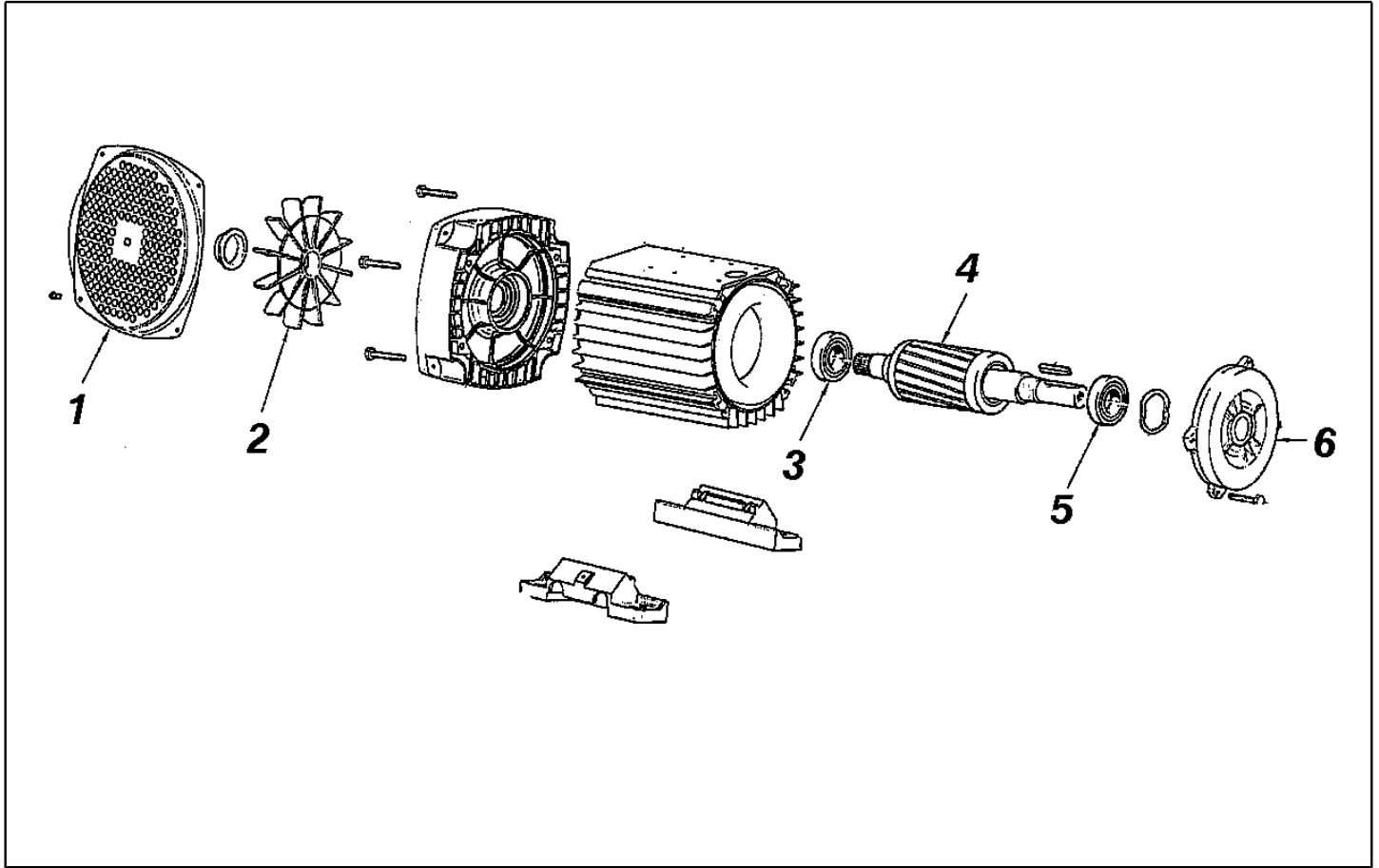
Ref. K	Part n.	Part n. 2	Description	Quantity	Validity		Price
					From	To	
0001	MFVR01097		HEAD W 151	1,00			--
0002	VTVT01111		SCREW TE M 8X70 UNI 5737 A.10.9	8,00			--
0003	VTRS01072		WASHER D. 8 TC	8,00			--
0009	S GUGO01033		O-RING D. 20.24 X 2.62 NBR 90SH	6,00			--
0010	S RCDS01087		CAP M24X2X16 OTT	6,00			--
0011	S VVAM01104		VALVE UNIT W 70-151	6,00			--
0012	VTVT01118		SCREW TCEI M 8X16 ZC. UNI 5931	8,00			--
0013	MFVR03576		CRANKASE COVER W151	1,00			--
0014	GUGO01041		O-RING D. 67.95 X 2.62 NBR 70SH	2,00			--
0015	CUVR09205		ROLLER BEARING 32206 A	2,00			--
0016	S GUGO01000		OIL SEAL 22X 32X 5 NBR70	3,00			--
0017	PVVR01011		BUSHING W 151	3,00			--
0018	MFVR01013		PUMP CRANKCASE W 151	1,00			--
0019	PVVR01092		OIL DIPSTICK W 151	1,00			--
0020	GUGO34590		O-RING D. 133.02 X 2.62 NBR 70SH	1,00			--
0021	ALMO41530		SHAFT TS 1511 USA	1,00			--
0022	VTAE14016		CIRCLIP D. 12 UNI 7435	6,00			--
0023	VTVR41531		KEY 8X 7X35 UNI 6604A	1,00			--
0024	PVVR01085		GUDGEON D.13X35 W151	3,00			--
0025	PVVR01029		PISTON GUIDE W 151	3,00			--
0026	BLVR01009		CONNECTING ROD W 151	3,00			--
0027	VTVT01116		SCREW TCEI 6X30 UNI5931	5,00			--
0028	MFVR03582		CRANKASE COVER W 151 POS	1,00			--
0029	PVVR01083		OIL INDICATOR G 3/4 W70-151	1,00			--
0030	RCDS01088		CAP 1/4X 9 M WW90	1,00			--
0031	S GUGO01036		O-RING D. 10.82 X 1.78 NBR 70SH	4,00			--
0032	VTVT01120		SCREW TCEI 8X35 UNI5931	6,00			--
0033	VTRS14242		WASHER D. 8.4X13X0.8 UNI7064 SCH	6,00			--
0034	S VTRS01753		WASHER D.14X28 X0,5	3,00			--
0035	PIVR01066		PISTON D.20X50 W 151	3,00			--
0036	S GUVR00994		ANTI-EXTR.RING W151	3,00			--
0037	S VTRS01076		WASHER D.14X18,5X0,5	3,00			--
0038	S PVVR01107		PISTON BOLT IP W151	3,00			--
0039	MFVR03583		CRANKASE COVER W151	1,00			--
0040	PVVR01016		THICKNESS 0,1 W 151	2,00			--
0041	S GUGO01003		OIL SEAL 30X 55X 7 NBR70	1,00			--
0042	S GUGO01042		O-RING D. 34.6 X 1.78 NBR 70SH	3,00			--
0043	S PVVR00977		PACKING RETAIN. W151	3,00			--
0044	S GUVR00981		PACKING W151	3,00			--
0045	S PVVR00985		HEAD RING W151	3,00			--
0046	S PVVR34589		INTERMED. RING W 151 D. 20	3,00			--
0047	S GUVR34587		PACKING D. 20 RESTOP	3,00			--
0051	RCDS01091		CAP 1/2X10 M	1,00			--
0052	VTRS01075		WASHER D.21,5X27 ALL	1,00			--



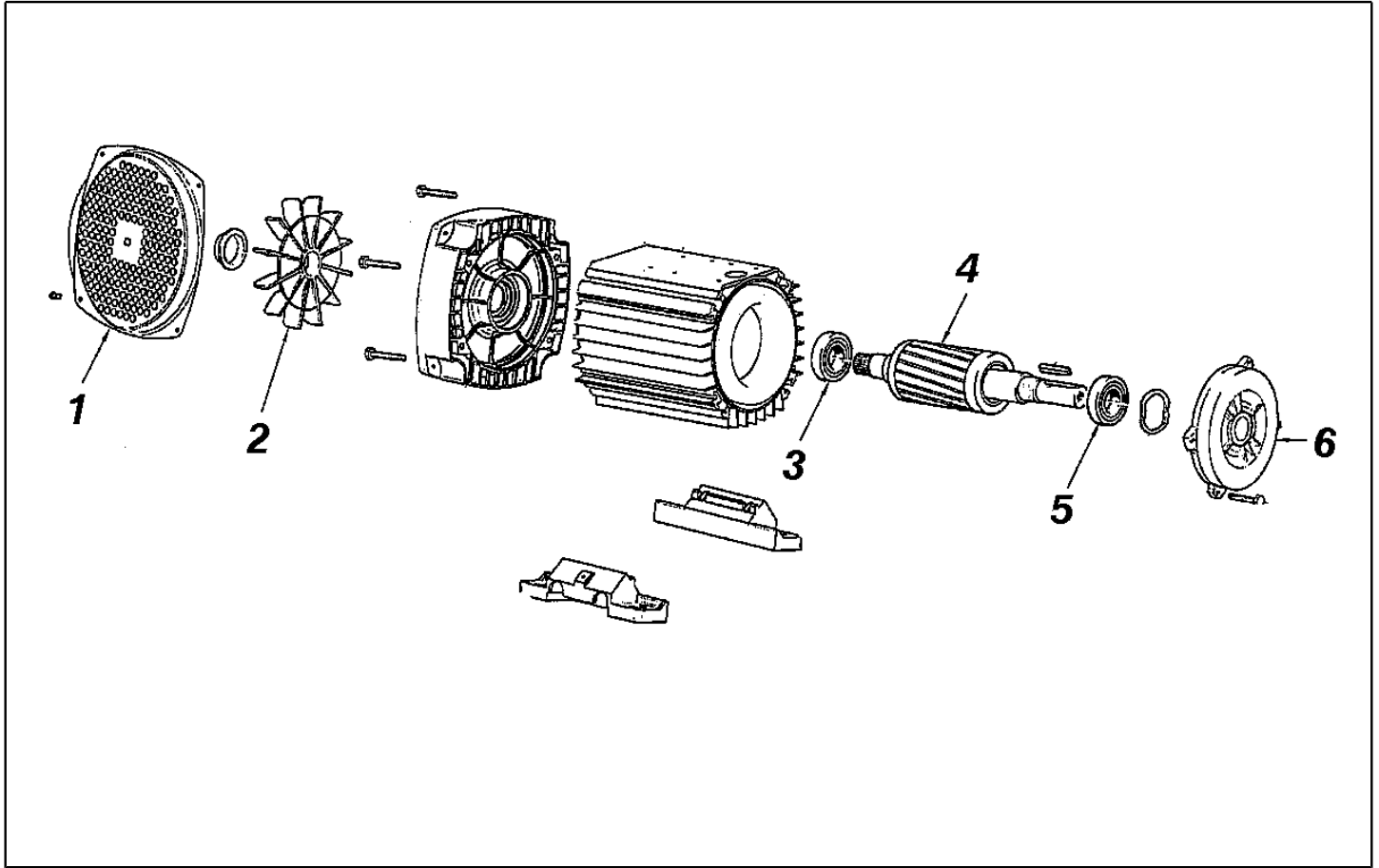
Ref. K	Part n.	Part n. 2	Description	Quantity	Validity		Price
					From	To	
0053	RCDS01090		CAP 3/8X13 M WW90	1,00			--
0054	VTRS01074		WASHER D.17,05X22,3 X1,5	1,00			--
0056	S	GUVR34585	PACKING W 151 L.P.	3,00			--



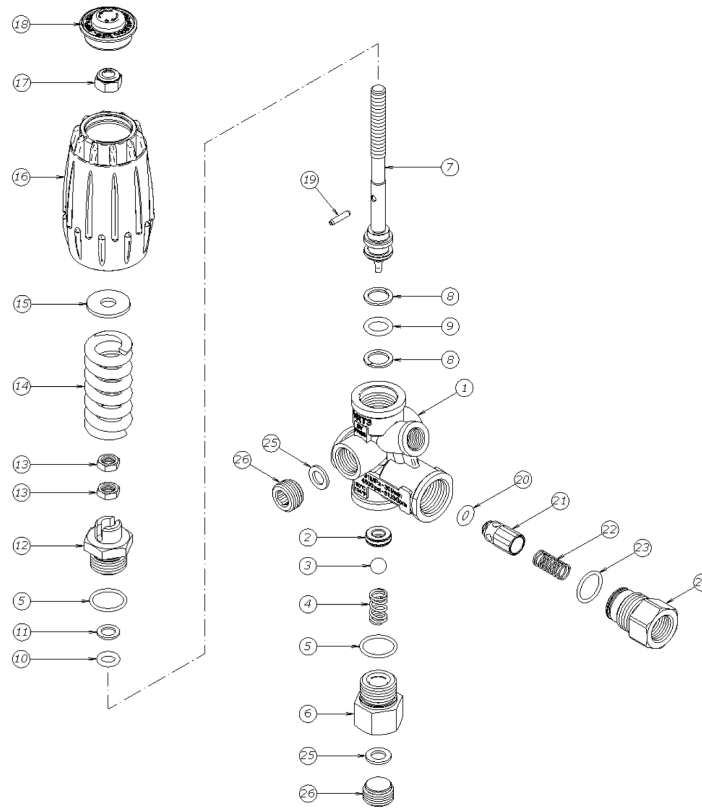
Ref. Part n.	Part n. 2	Description	Reference	Price
KTRI14900		KIT P 15- 3	0041	--
KTRI14901		KIT P 10	0042 0043	--
KTRI17793		KIT P 6	0031 0034 0036 0037 0038	--
KTRI17795		KIT P 4	0009 0010	--
KTRI17859		KIT P 1	0011	--
KTRI17860		KIT P 15- 2	0016	--
KTRI18574		KIT P 7	0045	--
KTRI18579		KIT P 28	0042 0043 0044 0045 0046 0047 0056	--
KTRI36927		KIT P 69	0044 0047 0056	--
KTRI35429		KIT P 71	0046 0047	--



Ref. K	Part n.	Part n. 2	Description	Quantity	Validity		Price
					From	To	
0001	LAFN40007		PROTECTION ED H.112 EST. LM.BK	1,00			--
0002	VEVR48370		MOTOR FAN H 112 EST. ELD	1,00			--
0003	CUVR40002		BALL BEARING 6306 2Z	1,00			--
0004	MORT40006		EL.MOT. ROTOR 7.5HP T 4P H112 B14 ES RC	1,00			--
0005	CUVR40002		BALL BEARING 6306 2Z	1,00			--
0006	MFVR40000		FLANGE MOTOR H 112 B14 5-7.5HP EST ED	1,00			--

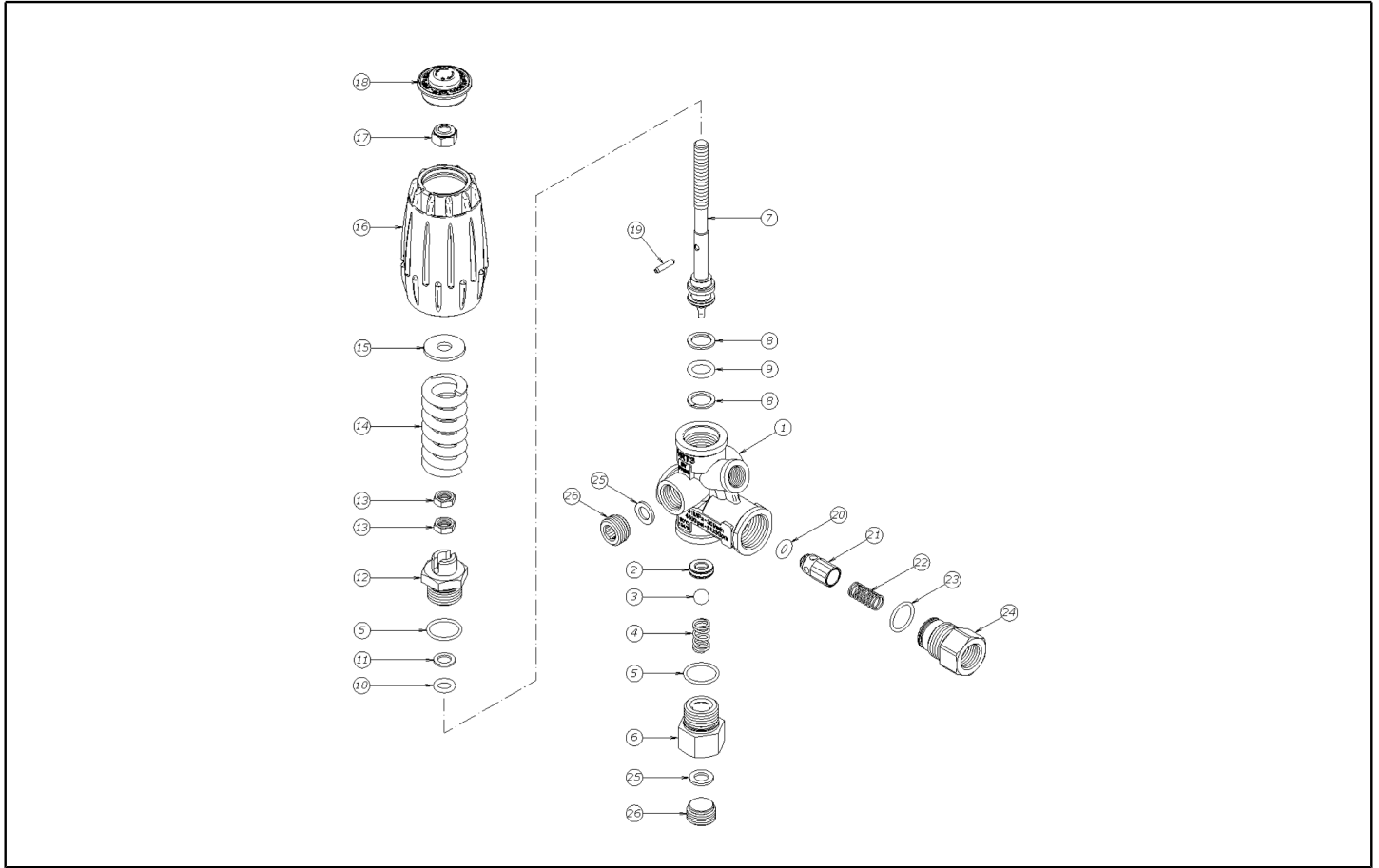


Ref. K	Part n.	Part n. 2	Description	Quantity	Validity		Price
					From	To	
0001	LAFN40007		PROTECTION ED H.112 EST. LM.BK	1,00			--
0002	VEVR48370		MOTOR FAN H 112 EST. ELD	1,00			--
0003	CUVR40002		BALL BEARING 6306 2Z	1,00			--
0004	MORT40003		EL.MOT. ROTOR 7.5HP T 4P H112 B14 ES ED	1,00			--
0005	CUVR40002		BALL BEARING 6306 2Z	1,00			--
0006	MFVR40000		FLANGE MOTOR H 112 B14 5-7.5HP EST ED	1,00			--

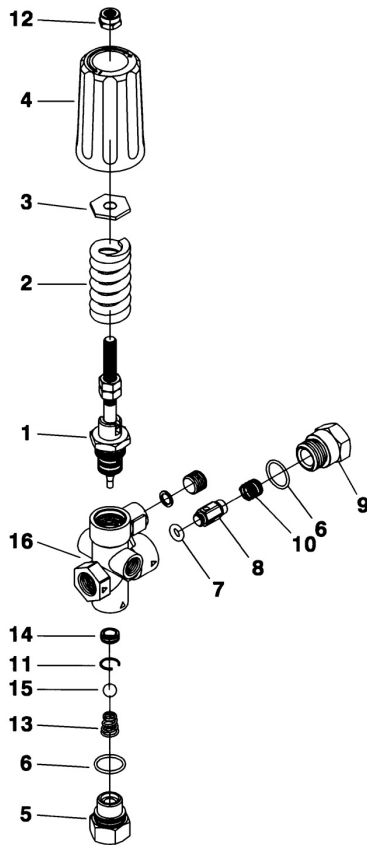


Ref. K	Part n.	Part n. 2	Description	Quantity	Validity		Price
					From	To	
0001	PVVR40342		VALVE BODY VRT3 3/8F	1,00			--
0002	S	PVVR40343	BALL SEAT D.7 VRT3 + OR	1,00			--
0003	S	SFVR27026	BALL D.11/32" INX	1,00			--
0004		MLML40024	SPRING MV0316 28	1,00			--
0005	S	GUGO24913	O-RING D. 17.17 X 1.78 NBR 90SH	2,00			--
0006		PVVR40344	CONNECTOR VRT3 G3/8F	1,00			--
0007		PVVR40345	PUSH ROD VRT3	1,00			--
0008	S	GUVR40070	ANTI-EXTR.RING D. 11.5X15.9X1.2	2,00			--
0009	S	GUGO11225	O-RING D. 10.78 X 2.62 NBR 70SH	1,00			--
0010	S	GUGO21638	O-RING D. 7.60 X 2.62 NBR 70SH	1,00			--
0011	S	GUVR40071	ANTI-EXTR.RING D. 8 X 12.6	1,00			--
0012		PVVR40346	ROD GUIDE VRT3	1,00			--
0013		VTDD40011	NUT M 8 OT UNI EN 24035	2,00			--
0014		MLML40025	SPRING D. 5.7/20.7X56 25MPa	1,00			--
0015		VTRS00512	WASHER D. 8 X24 ZC.	1,00			--
0016		PVVR40347	KNOB VRT3-VHP	1,00			--
0017		VTDD00124	NUT M8 DIN985	1,00			--
0018		PVVR40348	CAP VRT3 25MPa	1,00			--
0019		VTVR40045	ELASTIC PLUG 3X14 UNI-EN28748	1,00			--
0020	S	GUGO46053	O-RING D. 6 X 3 NBR 90SH	1,00			--
0021		PVVR40349	COUPLING VRT3	1,00			--
0022		MLML40026	SPRING VRT3	1,00			--
0023	S	GUGO12321	O-RING D. 15.6 X 1.78 NBR 90SH	1,00			--
0024		PVVR40350	CONNECTOR VRT3 G 3/8F	1,00			--
0025		VTRS12254	WASHER D. 8X14X1.5	2,00			--
0026		PVVR40351	CAP EI G 3/8 VRT3 OT	2,00			--

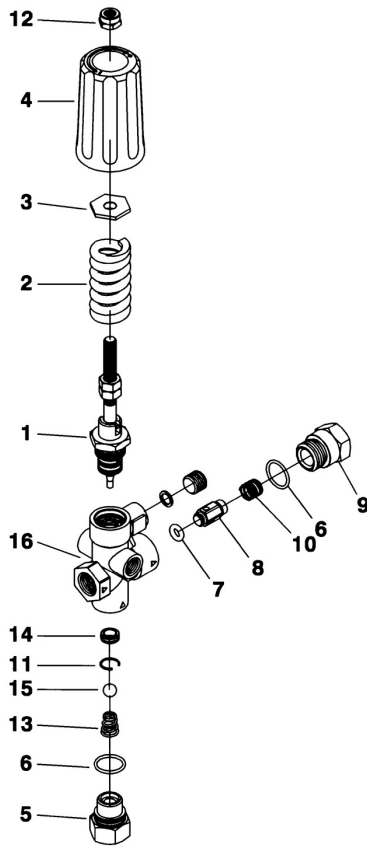




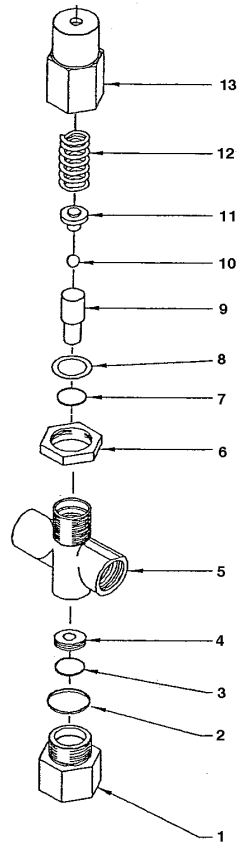
Ref. Part n.	Part n. 2	Description	Reference	Price
KTRI40217		KIT P 14-102 VRT3	0002 0003 0005 0009 0010 0011 0020 0023 0008	--



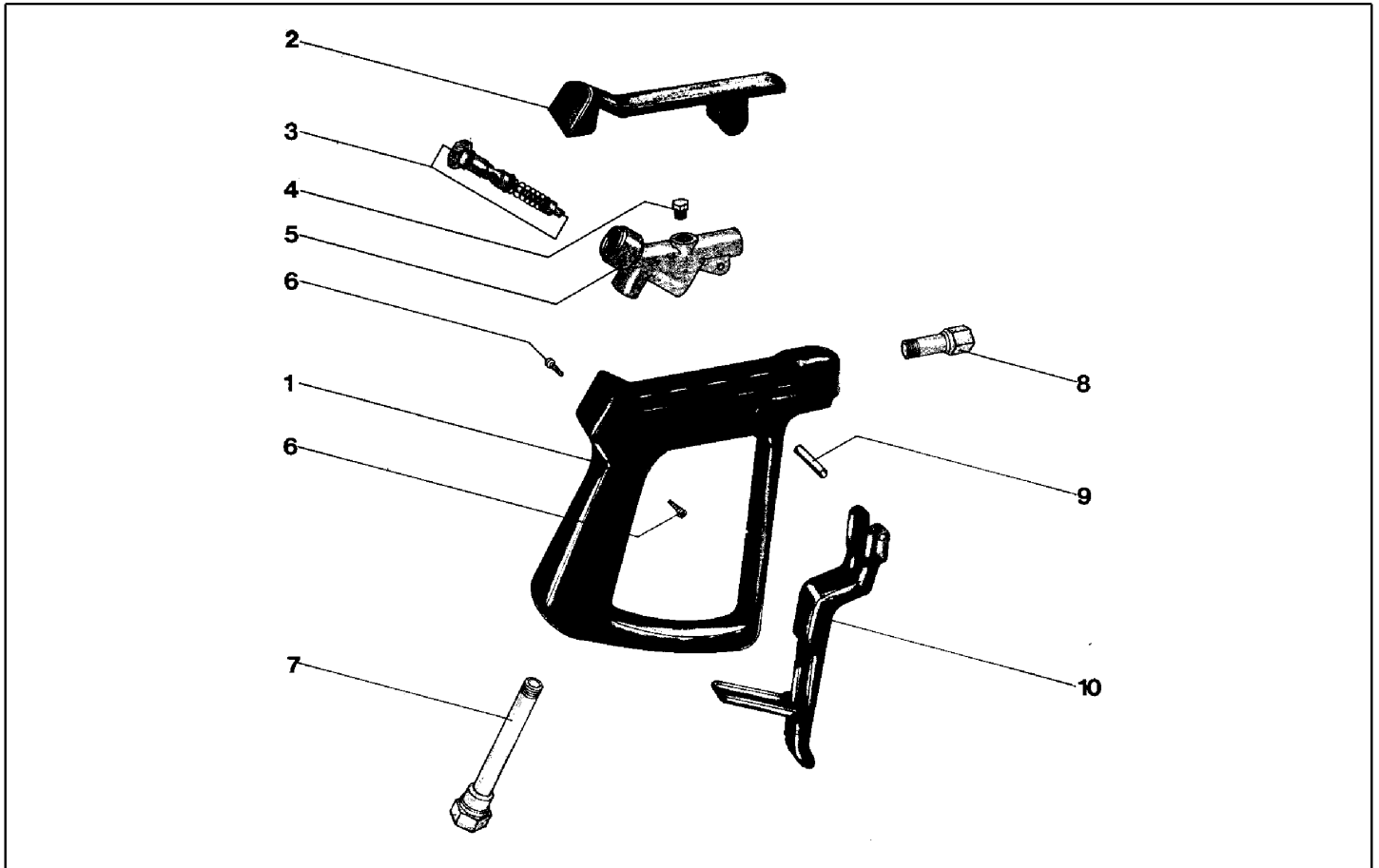
Ref. K	Part n.	Part n. 2	Description	Quantity	Validity		Price
					From	To	
0001	PVVR46049		CONNECTOR MV 550 CP.	1,00			--
0002	MLML46050		SPRING 250 BAR	1,00			--
0003	PVVR46051		CAP MV 550	1,00			--
0004	PVVR60860		KNOB MV 550	1,00			--
0005	PVVR46052		CONNECTOR MV 550	1,00			--
0006	S GUGO01058		O-RING D. 17.17 X 1.78 NBR 70SH	2,00			--
0007	S GUGO46053		O-RING D. 6 X 3 NBR 90SH	1,00			--
0008	S PVVR46054		PIN MV 550	1,00			--
0009	PVVR46055		CONNECTOR MV 550	1,00			--
0010	S MLML46056		SPRING D. 9.9X11.5X0.77	1,00			--
0011	S PVVR46057		CIRCLIP MV 550	1,00			--
0012	VTDD00492		NUT M 8 ZINC	1,00			--
0013	S MLML46058		SPRING D. 6.5-11.8	1,00			--
0014	S PVVR46059		BALL SEAT D.7 MV 550 + OR	1,00			--
0015	S SFVR06779		BALL INOX 11/32	1,00			--
0016	PVVR46060		VALVE BODY MV 550	1,00			--



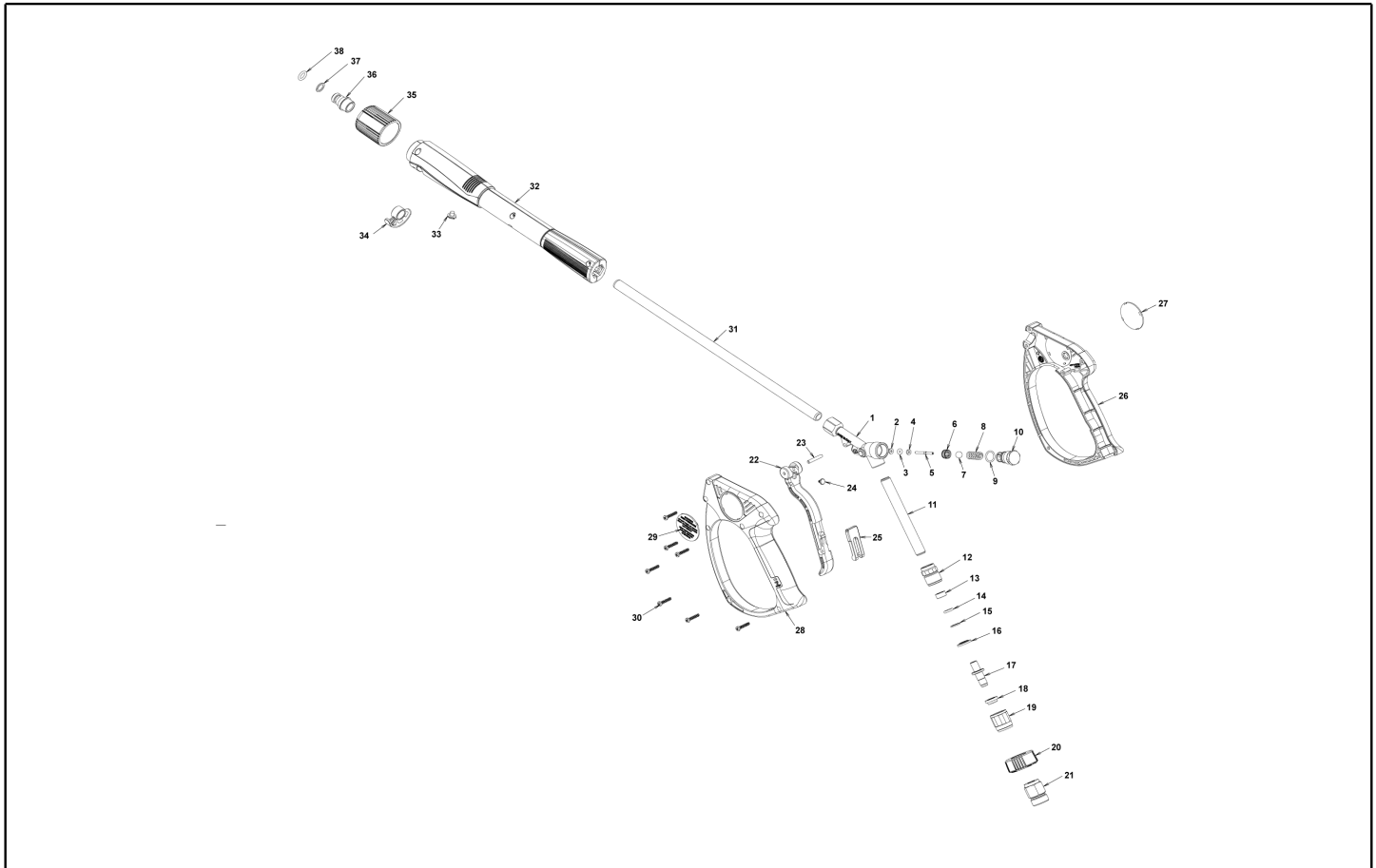
Ref. Part n.	Part n. 2	Description	Reference	Price
KTRI46064		KIT P 14- 54	0006 0007 0010 0013 0015	--
KTRI46065		KIT P 14- 55	0011 0014	--



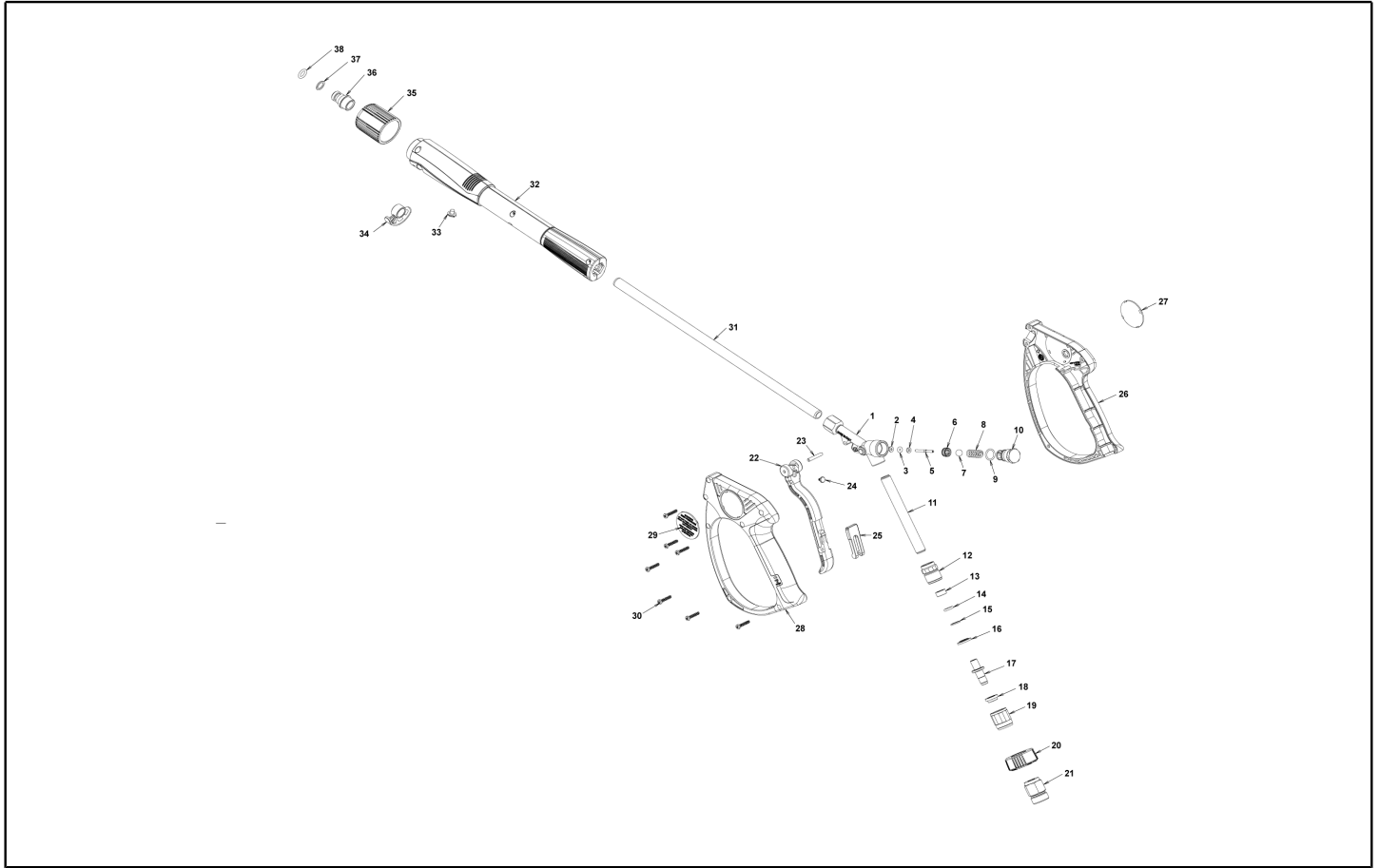
Ref. K	Part n.	Part n. 2	Description	Quantity	Validity		Price
					From	To	
0001	RCVR61105		CONNECTOR VS 220	1,00			--
0002	GUGO03505		O-RING D. 15.6 X 1.78 NBR 70SH	1,00			--
0003	GUGO10800		O-RING D. 10 X 1 NBR 70SH	1,00			--
0004	PVVR61091		VALVE SEAT 4,5X12X4 MM	1,00			--
0005	PVVR61073		VALVE BODY VS 220	1,00			--
0006	VTDD33553		LOCKNUT M 24	1,00			--
0007	GUGO63424		O-RING D. 7.66	1,00			--
0008	GUVR11936		ANTI-EXTR.RING D. 8 X11 PA	1,00			--
0009	PVVR33551		PISTON PA	1,00			--
0010	SFVR61110		BALL VS 220	1,00			--
0011	PVVR61099		SUPPORT VS 220	1,00			--
0012	MLML61052		SPRING 170 B. VS 220	1,00			--
0013	PVVR61080		SLEEVE VS 220	1,00			--



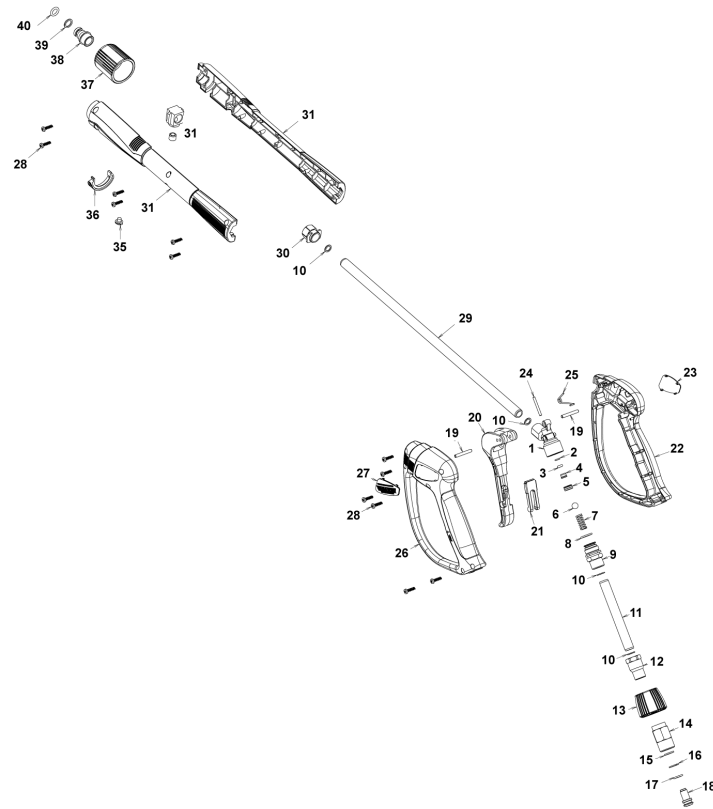
Ref. K	Part n.	Part n. 2	Description	Quantity	Validity		Price
					From	To	
0001	PVVR08141		BODY ST 2000	1,00			--
0002	PVVR08142		COVER ST 2000	1,00			--
0003	KTRI10689		KIT P 26- 1	1,00			--
0004	RCDS08145		CAP G 1/8" OT	1,00			--
0005	PVVR08146		BRASS HOUSING ST 2000	1,00			--
0006	VTVT28553		SCREW TCB-TC 3.5X16	2,00			--
0007	PVVR29763		PIPE G 1/4" +RCC 3/8"	1,00			--
0008	PVVR08147		CONNECTOR 1/4 ST 2000	1,00			--
0009	PVVR08149		PIN ST 2000	1,00			--
0010	PVVR08143		CONTROL LEVER	1,00			--



Ref. K	Part n.	Part n. 2	Description	Quantity	Validity		Price
					From	To	
0001	PVVR40402		GUN BODY G5000-V/2 G1/4F	1,00			--
0002	S GUGO17952		O-RING D. 2.84 X 2.62 NBR 70SH	1,00			--
0003	S GUGO21835		O-RING D. 2.84 X 2.62 VIT. 80SH	1,00			--
0004	S VTRS40024		WASHER D. 3 X 7 X1,5 OT	1,00			--
0005	S PVVR40404		SMALL PISTON G5000-V/2	1,00			--
0006	S PVVR40112		BALL SEAT G 5000	1,00			--
0007	S SFVR06779		BALL INOX 11/32	1,00			--
0008	MLML40016		SPRING D. 9.4 x21.5x1.6 G5000	1,00			--
0009	S GUGO21841		O-RING D. 12.42 X 1.78 NBR 90SH	1,00			--
0010	PVVR40113		CAP G 5000	1,00			--
0011	PVVR40405		TUBE G 1/4" L.115	1,00			--
0012	RCIN40024		CONNECTOR SWIV G5000-V/2 1/4F	1,00			--
0013	S PVVR40406		BUSHING G5000-V/2	1,00			--
0014	S PVVR40403		RING SW. G5000-V/2	1,00			--
0015	S GUVR40081		ANTI-EXTR.RING D.9 X13.2X1.2	1,00			--
0016	S PVVR40407		SPACER G5000-V/2	1,00			--
0017	S PVVR40408		PIN G5000-V/2	1,00			--
0018	S PVVR40409		BUSHING C/GRAD. G5000-V/2	1,00			--
0019	PVVR40410		NIPPLE G5000-V/2	1,00			--
0020	PVVR40411		KNOB SWIVEL G5000-V/2	1,00			--
0021	RCIN40025		CONNECTOR SWIV G5000-V/2 M22	1,00			--
0022	S MPVR40628		TRIGGER G5000-V/2	1,00			--
0023	S VTVR40008		PLUG D. 3 G5000	1,00			--
0024	S PVVR45053		PAWL G 2100 INX	1,00			--
0025	S MPVR40629		SAFETY-DEVICE G 5000-SW	1,00			--
0026	MPVR40630		SHELL G5000-V/2 DX	1,00			--
0027	MPVR40631		PLATE G5000-V/2	1,00			--
0028	MPVR40632		SHELL G5000-V/2 SX	1,00			--
0029	MPVR40633		PLATE G5000-V/2 SX	1,00			--
0030	VTVT62984		SCREW TC-CR M 4.2 X19 ZN	7,00			--
0031	LCPR40015		TUBE 1/4 L=370 ZC. 0°	1,00			--
0032	MPVR40195		PROTECTION P 370 MV	1,00			--
0033	MPVR40198		CAP G 5000	1,00			--
0034	MPVR40197		CAP G 5000 FIX.	1,00			--
0035	PVVR40119		CONNECTION M22X1,5 IRV G5000	1,00			--
0036	RCIN40009		GUIDGEON G 1/4 F IRV G5000	1,00			--
0037	GUVR40034		ANTI-EXTR.RING D. 10 X14	1,00			--
0038	GUGO40055		O-RING D. 9.19 X 2.62 - VIT.75	1,00			--

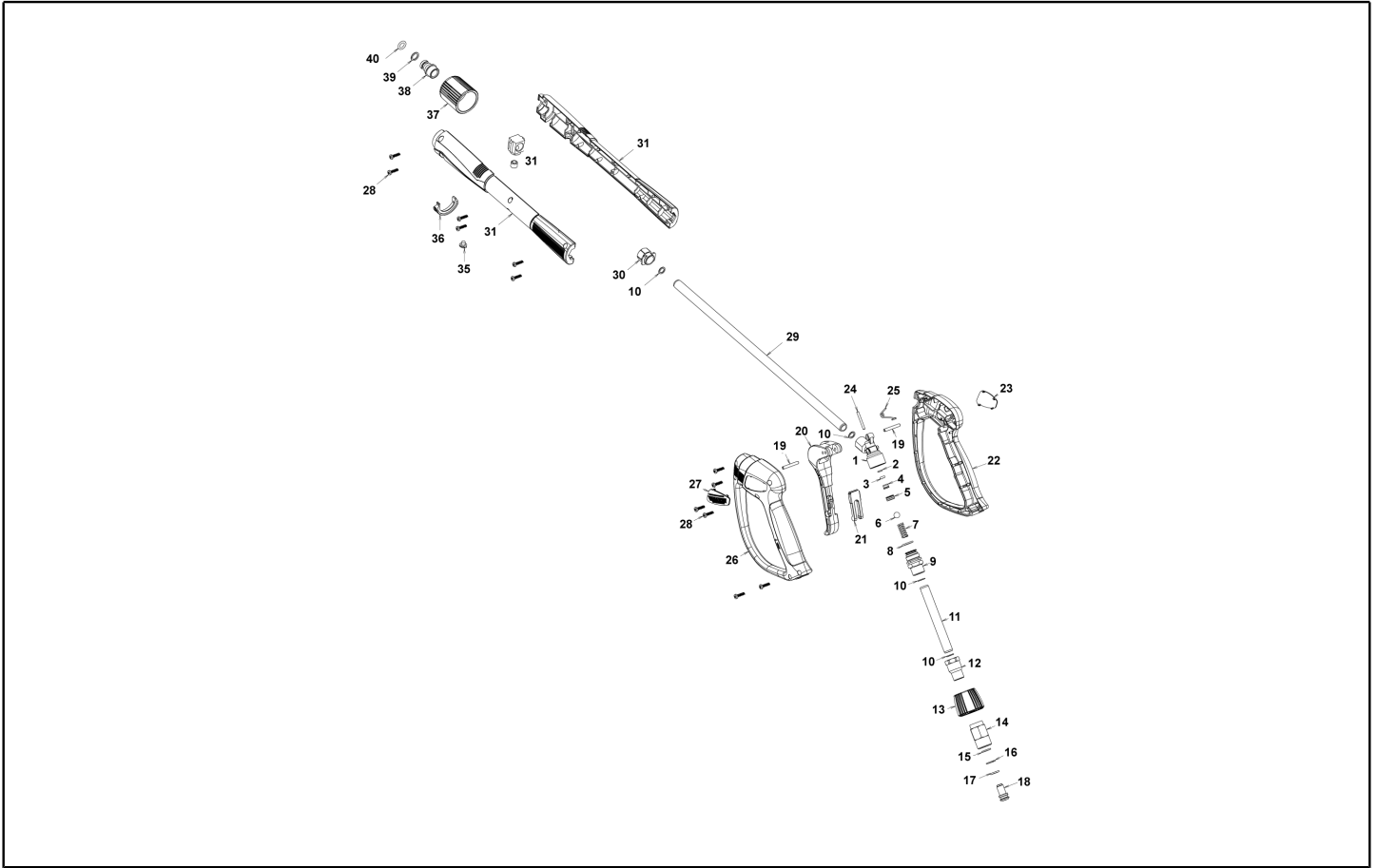


Ref. Part n.	Part n. 2	Description	Reference	Price
KTRI40287		KIT P 26- 29 OR SEDE G5000-V/2	0002 0003 0004 0005 0006 0007 0009	--
KTRI40285		KIT P 26- 27 SWIVEL G5000-V/2	0013 0014 0015 0016 0017 0018	--
KTRI40286		KIT P 26- 28 LEVA G5000-V/2	0022 0023 0024 0025	--

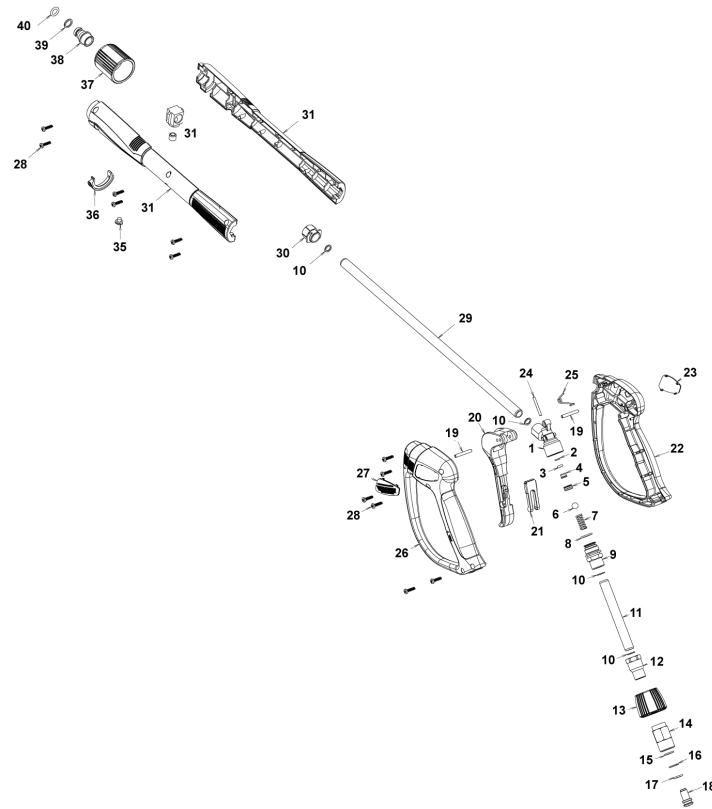


Ref. K	Part n.	Part n. 2	Description	Quantity	Validity		Price
					From	To	
0001	PVVR40381		GUN BODY G 5100 G1/4F	1,00			--
0002	S	GUVR40074	ANTI-EXTR.RING D. 3 X 7.4X1.3	1,00			--
0003	S	GUGO21835	O-RING D. 2.84 X 2.62 VIT. 80SH	1,00			--
0004		PVVR40382	PISTON GUIDE G 5100	1,00			--
0005	S	PVVR40112	BALL SEAT G 5000	1,00			--
0006	S	SFVR40002	BALL D.11/32" ALL GR16	1,00			--
0007		MLML40016	SPRING D. 9.4 x21.5x1.6 G5000	1,00			--
0008		GUGO12322	O-RING D. 14 X 1.78 NBR 90SH	1,00			--
0009		PVVR40383	CONNECTOR COLL.G5100 1/4F	1,00			--
0010		VTRS40017	WASHER D. 8.2X11,4X1.00	4,00			--
0011		PVVR40384	TUBE G 1/4" L.105	1,00			--
0012		RCIN40022	CONNECTOR SWIV G5100 1/4F	1,00			--
0013		MPVR40819	RING NUT G 5100 SW. BK.	1,00			--
0014		RCIN40021	JOINT SWIV 5100 M22	1,00			--
0015	S	GUVR40075	ANTI-EXTR.RING D. 10 X14X1.5	1,00			--
0016	S	GUVR40076	ANTI-EXTR.RING D. 11.2X14X1.2	1,00			--
0017	S	GUGO15295	O-RING D. 10.82 X 1.78 VIT 75SH	1,00			--
0018		PVVR40386	SCREW SW. G 5100	1,00			--
0019		VTVR40047	PLUG D. 4X29	2,00			--
0020		MPVR40820	TRIGGER G 6000-SW	1,00			--
0021		MPVR40821	SAFETY-DEVICE G 6000-SW	1,00			--
0022		MPVR40822	SHELL G 6000-SW DX	1,00			--
0023		MPVR40823	PLATE G 6000 GR.DX	1,00			--
0024		PVVR40387	SMALL PISTON G 5100	1,00			--
0025		MLML40029	SPRING G 5100	1,00			--
0026		MPVR40824	SHELL G 6000-SW SX	1,00			--
0027		MPVR40825	PLATE G 6000 GR.SX	1,00			--
0028		VTVT40043	SCREW AF 4X 14 HILO ZN.N	12,00			--
0029		LCPR40086	TUBE 1/4 L=420 ZC. 0°	1,00			--
0030		MPVR40493	CONNECTOR G 5100-SW	1,00			--
0031		MPVR40494	PROTECTION P 420 C/AN.	1,00			--
0035		MPVR40198	CAP G 5000	1,00			--
0036		MPVR40495	CAP G 5100 REM.	1,00			--
0037		PVVR40119	CONNECTION M22X1,5 IRV G5000	1,00			--
0038		RCIN40009	GUDGEON G 1/4 F IRV G5000	1,00			--
0039		GUVR40034	ANTI-EXTR.RING D. 10 X14	1,00			--
0040		GUGO01946	O-RING D. 9.13 X 2.62 VIT 70SH	1,00			--

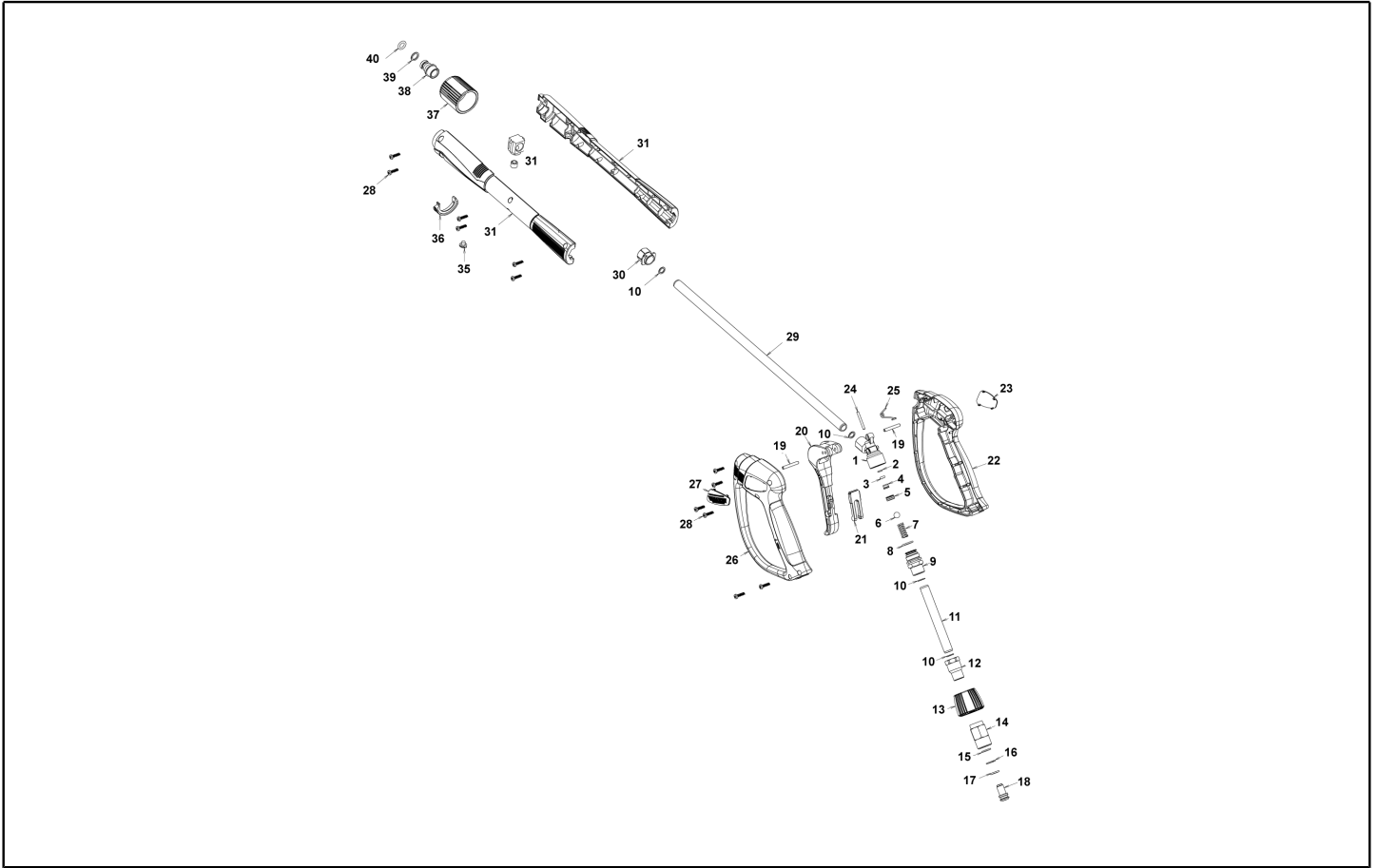




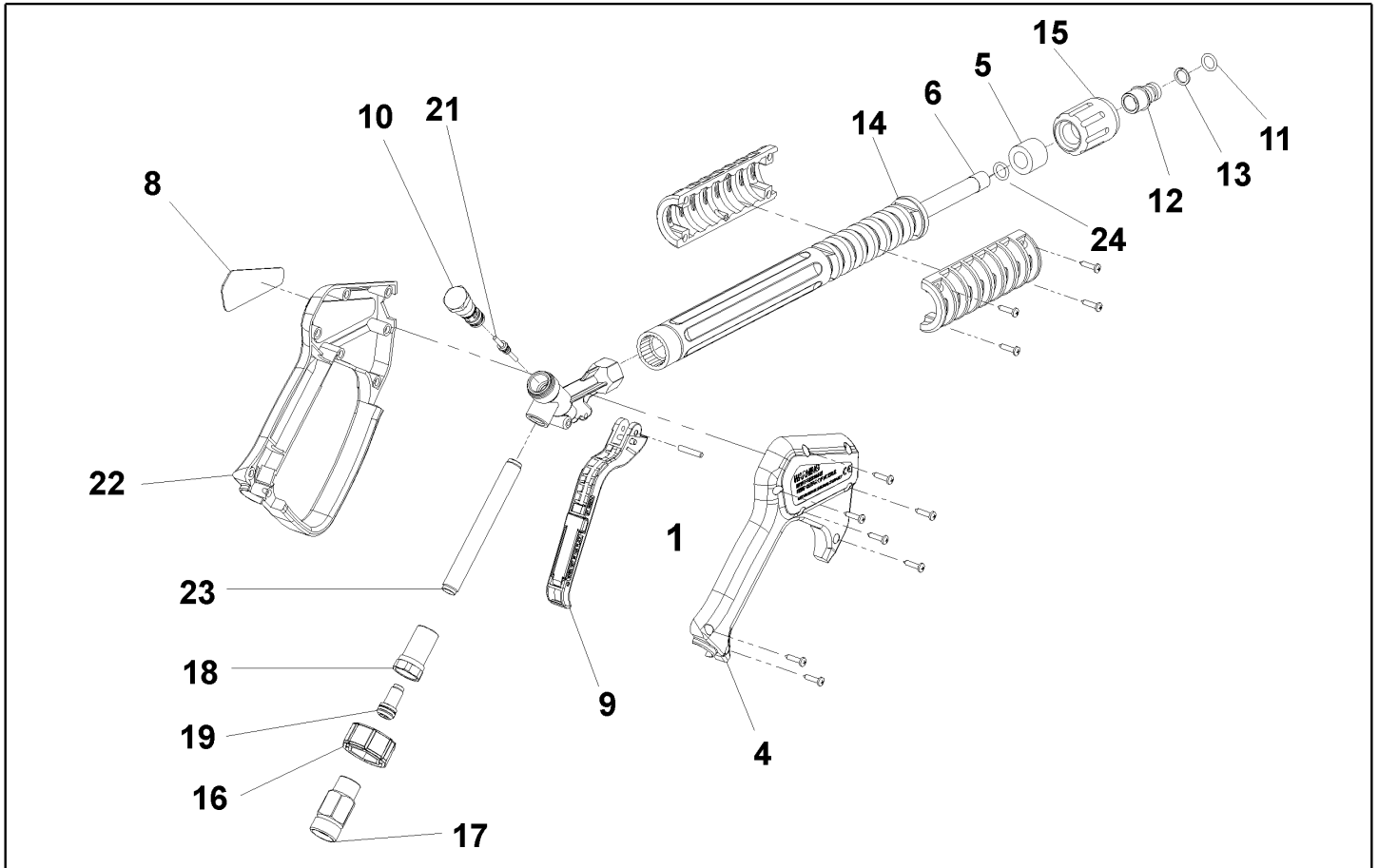
Ref. Part n.	Part n. 2	Description	Reference	Price
KTRI40243		KIT P 26- 26 SWIVEL G 5100	0015 0016 0017	--
KTRI40414		KIT P 26- 34 G 6000	0002 0003 0005 0006	--



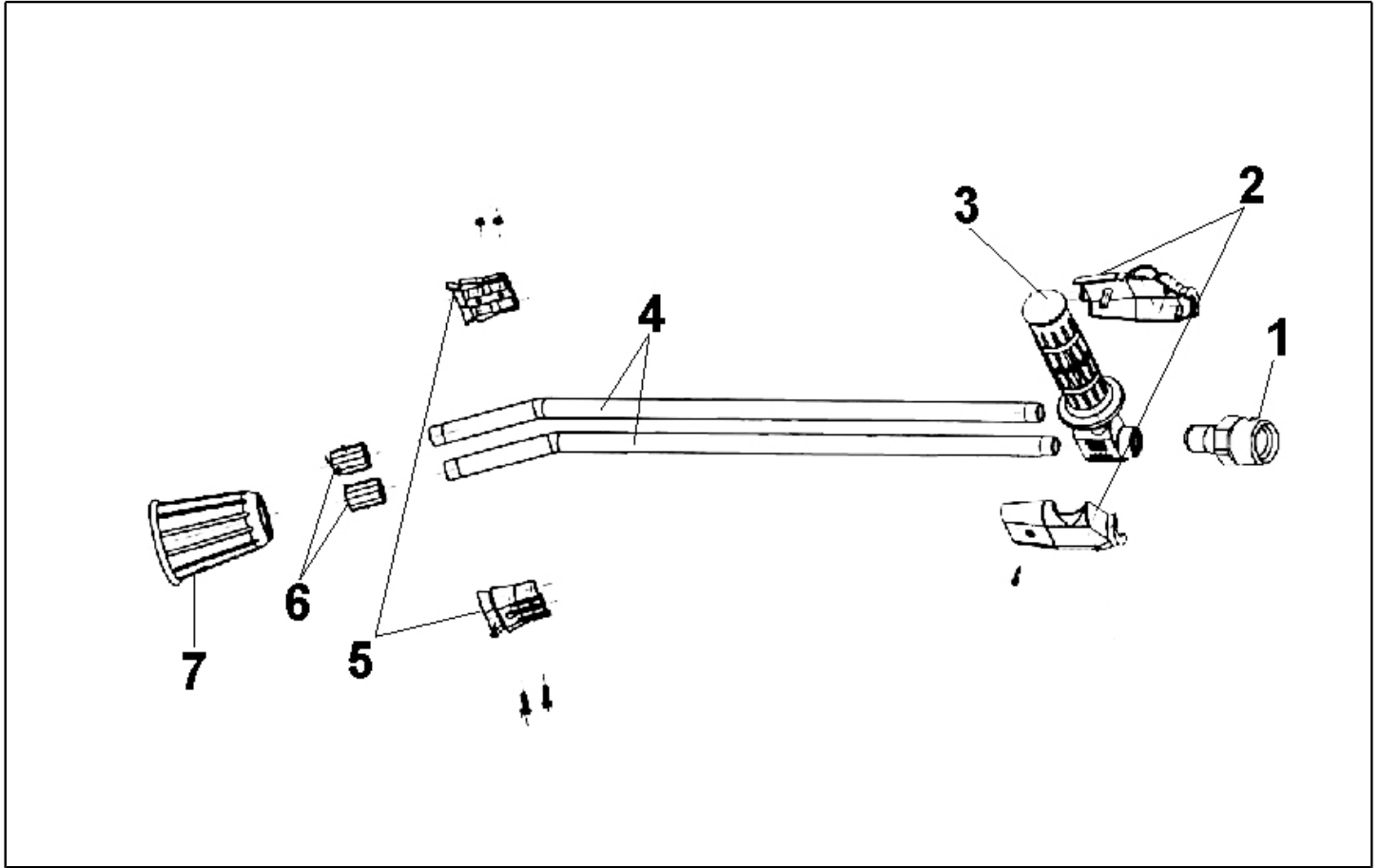
Ref. K	Part n.	Part n. 2	Description	Quantity	Validity		Price
					From	To	
0001	PVVR40381		GUN BODY G 5100 G1/4F	1,00			--
0002	S	GUVR40074	ANTI-EXTR.RING D. 3 X 7.4X1.3	1,00			--
0003	S	GUGO21835	O-RING D. 2.84 X 2.62 VIT. 80SH	1,00			--
0004		PVVR40382	PISTON GUIDE G 5100	1,00			--
0005	S	PVVR40563	BALL SEAT AL36 G6000 + OR	1,00			--
0006	S	SFVR40004	BALL D. 5/16" ALL.GR16	1,00			--
0007		MLML40047	SPRING D. 9.4 x23.5x1.6 G6000	1,00			--
0008		GUGO12322	O-RING D. 14 X 1.78 NBR 90SH	1,00			--
0009		PVVR40383	CONNECTOR COLL.G5100 1/4F	1,00			--
0010		VTRS40017	WASHER D. 8.2X11,4X1.00	4,00			--
0011		PVVR40384	TUBE G 1/4" L.105	1,00			--
0012		RCIN40022	CONNECTOR SWIV G5100 1/4F	1,00			--
0013		MPVR40967	RING NUT G 6000 SW. GR.	1,00			--
0014		RCIN40021	JOINT SWIV 5100 M22	1,00			--
0015	S	GUVR40075	ANTI-EXTR.RING D. 10 X14X1.5	1,00			--
0016	S	GUVR40076	ANTI-EXTR.RING D. 11.2X14X1.2	1,00			--
0017	S	GUGO15295	O-RING D. 10.82 X 1.78 VIT 75SH	1,00			--
0018		PVVR40386	SCREW SW. G 5100	1,00			--
0019		VTVR40047	PLUG D. 4X29	2,00			--
0020		MPVR40820	TRIGGER G 6000-SW	1,00			--
0021		MPVR40821	SAFETY-DEVICE G 6000-SW	1,00			--
0022		MPVR40822	SHELL G 6000-SW DX	1,00			--
0023		MPVR40968	PLATE G 6000/2 GR.DX	1,00			--
0024		PVVR40564	SMALL PISTON G 6000 AL36 SP.	1,00			--
0025		MLML40029	SPRING G 5100	1,00			--
0026		MPVR40824	SHELL G 6000-SW SX	1,00			--
0027		MPVR40825	PLATE G 6000 GR.SX	1,00			--
0028		VTVT40043	SCREW AF 4X 14 HILO ZN.N	12,00			--
0029		LCPR40181	TUBE 1/4 L=416 ZC. 0°	1,00			--
0030		MPVR40493	CONNECTOR G 5100-SW	1,00			--
0031		MPVR40494	PROTECTION P 420 C/AN.	1,00			--
0035		MPVR40198	CAP G 5000	1,00			--
0036		MPVR40495	CAP G 5100 REM.	1,00			--
0037		PVVR40119	CONNECTION M22X1,5 IRV G5000	1,00			--
0038		RCIN40048	GUDGEON G 1/4 F IRV G6000/2	1,00			--
0039		GUVR40034	ANTI-EXTR.RING D. 10 X14	1,00			--
0040		GUGO63555	O-RING D. 9.3 X 2,4 VIT 75SH	1,00			--



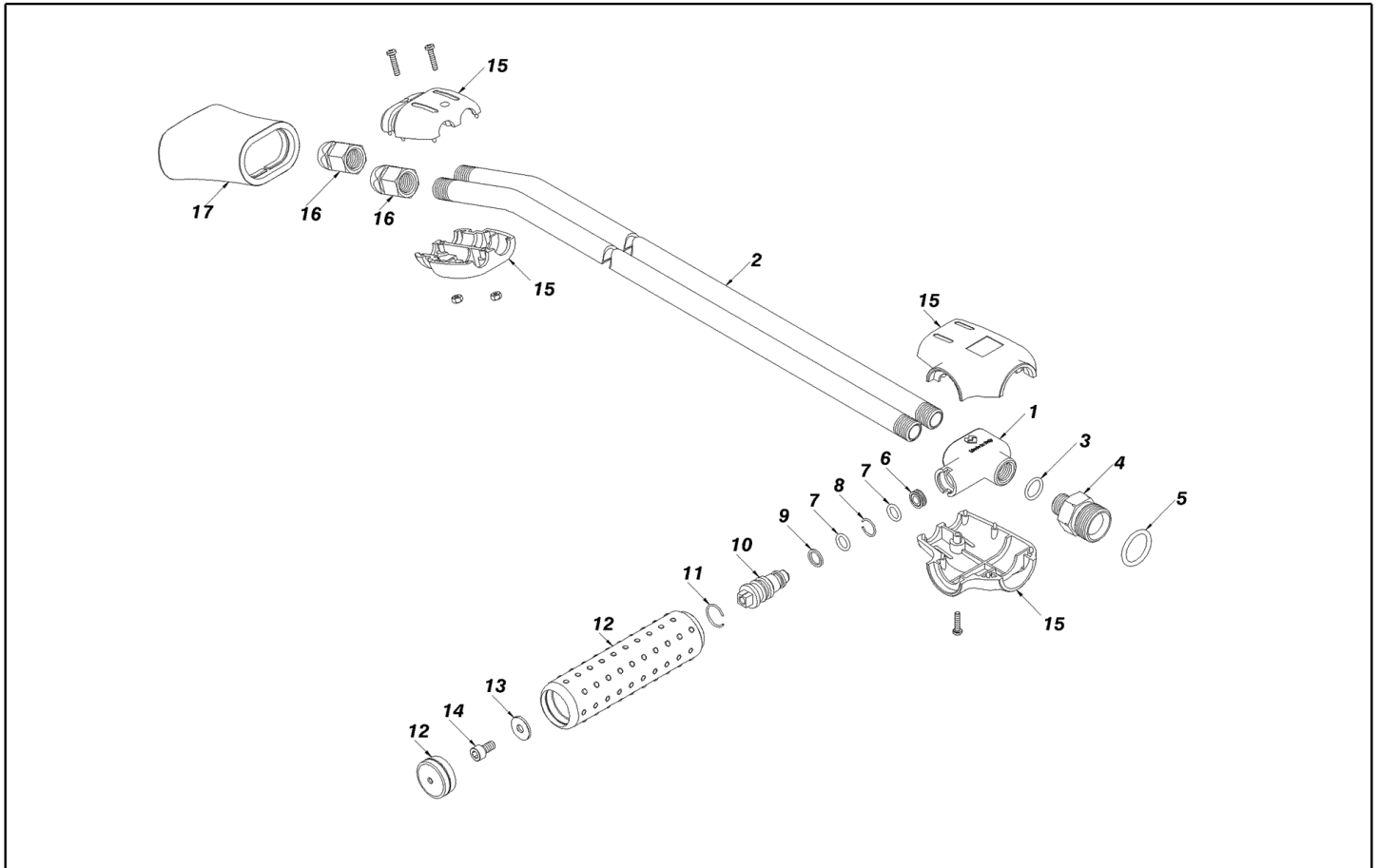
Ref. Part n.	Part n. 2	Description	Reference	Price
KTRI40243		KIT P 26- 26 SWIVEL G 5100	0015 0016 0017	--
KTRI40513		KIT P 26- 36 G 6000/II	0002 0003 0005 0006	--



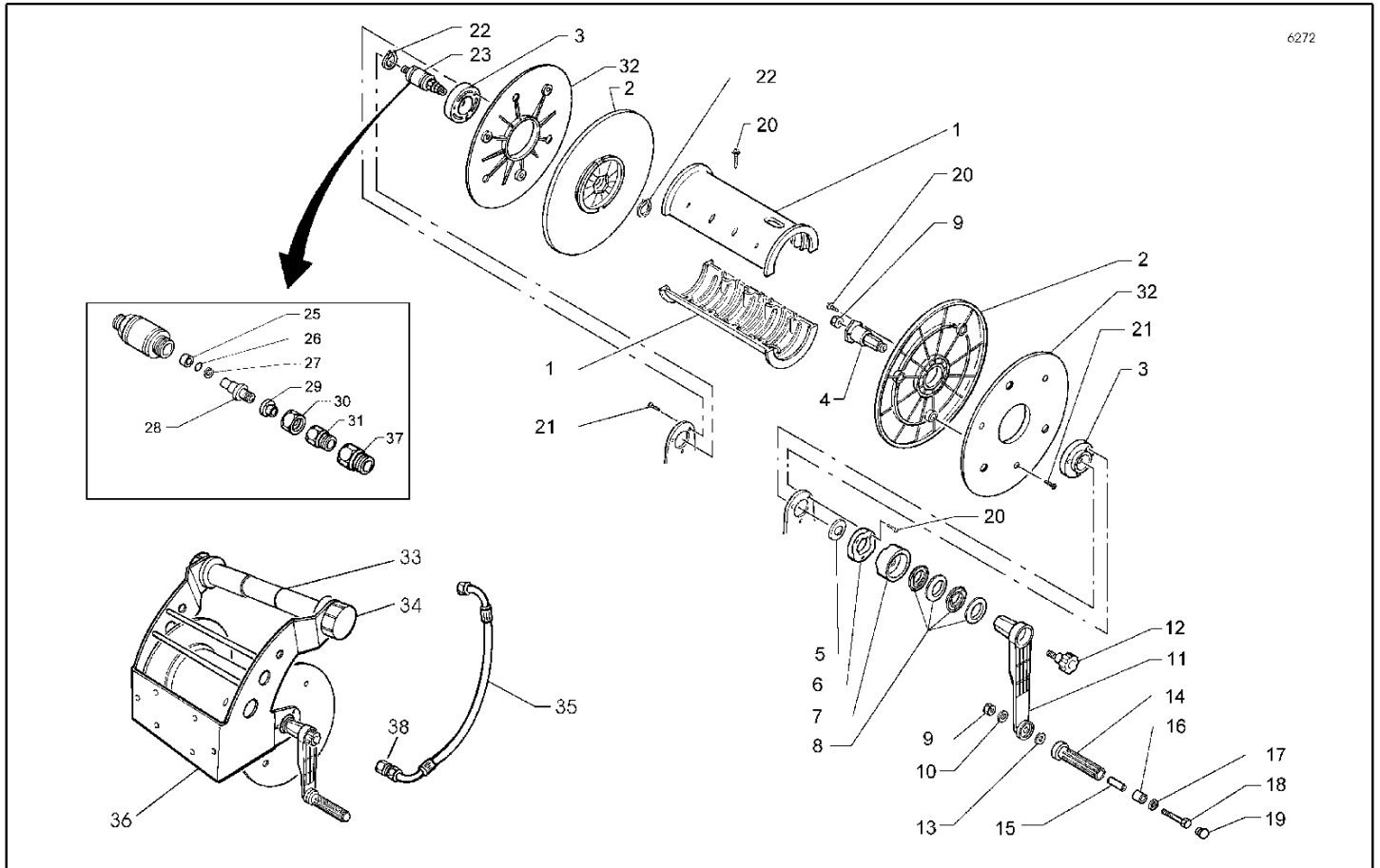
Ref. K	Part n.	Part n. 2	Description	Quantity	Validity		Price
					From	To	
0001	VTVR46568		PLUG G 4500	1,00			--
0004	MPVR46563		COVER G 4500	1,00		30/04/2008	--
0004	MPVR40157		COVER G 4500 2V.	1,00	01/05/2008		--
0005	MPVR46572		SPACER P 330 ST	1,00			--
0006	LCPR46571		TUBE 1/4 L=352 ZC.	1,00		30/04/2008	--
0006	LCPR40007		TUBE 1/4 L=352 ZC. 2V.	1,00	01/05/2008		--
0008	MPVR46569		PLATE G 4500 RD.	1,00			--
0009	MPVR40057		TRIGGER G 4500 -SW	1,00			--
0010	PVVR40030		SMALL PISTON TM ST-2300	1,00			--
0011	GUGO10384		O-RING D. 10 X 2.2 VIT 80SH	1,00			--
0012	RCVR13030		GUDGEON G 1/4 F L=31.5	1,00			--
0013	GUVR10526		ANTI-EXTR.RING D.13.9X10.2 C.BZ	1,00			--
0014	MPVR46570		PROTECTION P 330 ST	1,00			--
0015	PVVR13445		CONNECTION M 22X1,5 L=45	1,00			--
0016	MPVR40058		RING NUT G4500 SW.	1,00			--
0017	RCIN40001		JOINT SWIV 4500 3/8"F	1,00		30/04/2008	--
0017	RCIN40005		JOINT SWIV 4500 3/8"F 2V.	1,00	01/05/2008		--
0018	RCIN31641		CONNECTOR SWIV 1500 F	1,00			--
0019	KTRI31645		KIT P 26- 14	1,00			--
0021	PVVR40031		ROD ST-2300	1,00			--
0022	MPVR46562		SHELL G 4500	1,00		30/04/2008	--
0022	MPVR40156		SHELL G 4500 2V.	1,00	01/05/2008		--
0023	PVVR40023		TUBE G 1/4" M/M P/SW.	1,00			--
0024	GUGO27021		O-RING D. 11 X 2.5 EPD 70SH	1,00	01/05/2008		--



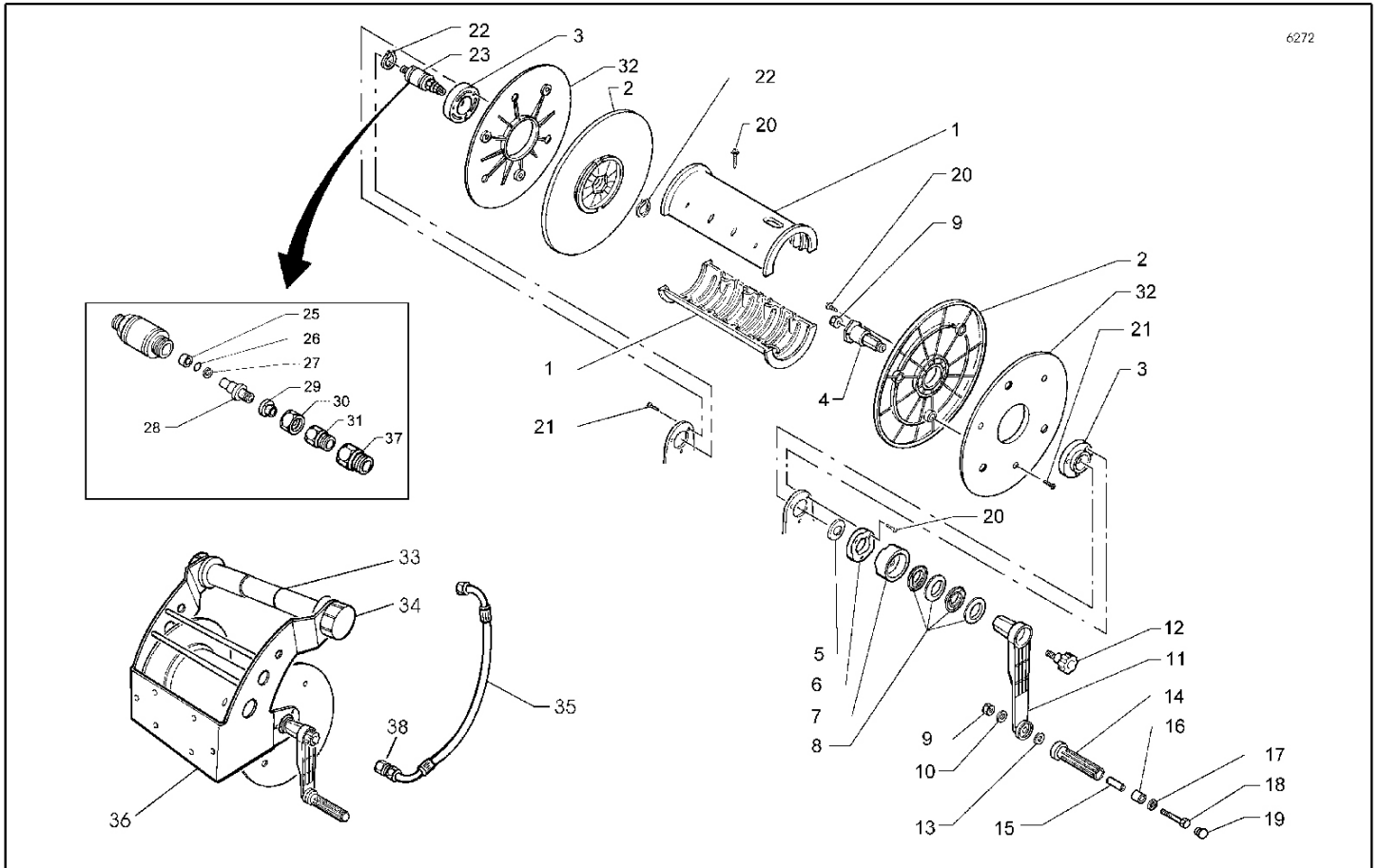
Ref. K	Part n.	Part n. 2	Description	Quantity	Validity		Price
					From	To	
0001	PVVR45296		COUPLING G 1/4M -M22 M +PR.PLS	1,00			--
0002	MPVR45214		PROTECTION TB.1/4 MTM	1,00			--
0003	RCGR45737		TAP 1/8 F LD MTM	1,00			--
0004	LCPR45740		TUBE 1/8 L=660 INOX MTM	2,00			--
0005	MPVR45001		SHELL LD MTM	1,00			--
0006	RCVR45741		NOZZLE HOLDER 1/4-1/8 F MTM	2,00			--
0007	PVVR43810		PROTECTION L.D. MTM	1,00			--



Ref. K	Part n.	Part n. 2	Description	Quantity	Validity		Price
					From	To	
0001	RCGR40000		TAP BODY L.DOP. 1/4" MV INX	1,00			--
0002	LCPR40000		TUBE 1/4 L=700 CROM.	2,00		30/11/2009	--
0002	LCPR40107		TUBE 1/4 L=700 INX.	2,00	01/12/2009		--
0003	GUGO19194		O-RING D. 11.11 X 1.78 NBR 70SH	1,00		30/09/2010	--
0003	VTRS04931		WASHER COPPER D.13X19X1.5	1,00	01/10/2010		--
0004	RCIN46781		MALE COUPLING MV 1/4 -M 22 M	1,00			--
0005	GUGO01056		O-RING D. 18.72 X 2.62 NBR 70SH	1,00			--
0006	PVVR40019		BUSHING MV LD	1,00			--
0007	GUGO06988		O-RING D. 7.66 X 1.78 NBR 70SH	2,00			--
0008	PVVR40020		CIRCLIP LD MV D. 8	1,00			--
0009	GUGO40002		ANTI-EXTR.RING D. 8 NBR	1,00			--
0010	PVVR40021		REGULAT. SCREW LD MV INX	1,00			--
0011	PVVR46783		CIRCLIP LD MV	1,00			--
0012	PVVR46784		NOB LD MV +CAP	1,00			--
0013	VTRS15958		WASHER UNI 6592 5X15X1,5 ZB	1,00			--
0014	VTVT17639		SCREW TCEI M 5X10 UNI 5931	1,00			--
0015	MPVR46786		PROTECTION LD/TB MV	1,00			--
0016	RCVR46787		NOZZLE HOLDER 1/4-1/4 F MV	12,00			--
0017	PVVR46788		PROTECTION LD MV	1,00			--

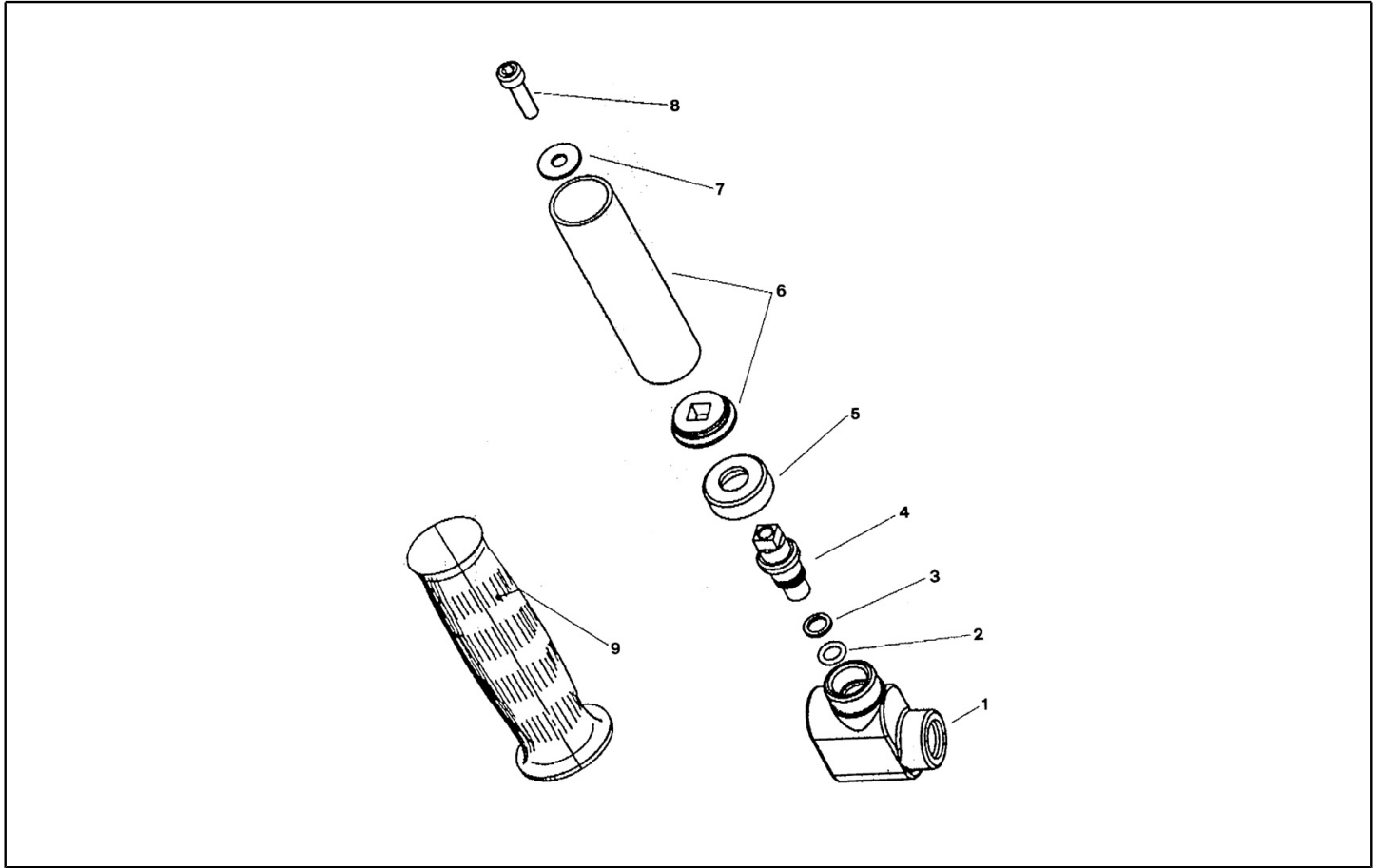


Ref. K	Part n.	Part n. 2	Description	Quantity	Validity		Price
					From	To	
0001	MPVR40078		HALF BEARING ROLLER 20 P/IN.M22	2,00	15/05/2008		--
0002	MPVR74140		DISC ROLLER 20/40	2,00			--
0003	MPVR77565		RING ROLLER 20/40	2,00			--
0004	FGGT74143		JOINT ROLLER 20/40	1,00			--
0005	MPVR77567		RING ROLLER	1,00			--
0006	MPVR77568		RING ROLLER	1,00			--
0007	MPVR77569		RING ROLLER	1,00			--
0008	S MLML74155		SPRING ROLLER	4,00			--
0009	VTDD00492		NUT M 8 ZINC	1,00	16/03/2004		--
0010	VTRS00512		WASHER D. 8 X24 ZC.	1,00	12/07/2004		--
0011	MPVR74142		LEVER ROLLER 20/40	1,00			--
0012	VTVR74163		HANDWHEEL VAL-PA M 8 X 30	1,00			--
0013	VTRS00505		WASHER D.10 UNI 6592	1,00			--
0014	MPVR74792		KNOB LC-PRT	1,00			--
0015	RCVR74200		SLEEVE ROLLER 20/40	1,00			--
0016	MPVR77566		BUSHING ROLLER 20/40	1,00			--
0017	VTRS00504		WASHER D. 8 ZC. UNI 6592	1,00			--
0018	VTVT07994		SCREW TE 8X65	1,00	16/03/2004		--
0019	MPVR37542		RUBBER D.E.25 -L.27 70-80SH	1,00			--
0020	VTVT85143		SCREW AF 4X 16 UNI 6954-71 ZN.N	12,00			--
0021	VTVT87974		SCREW AF 4X 12 UNI 6954-71 ZN.N	9,00	07/05/2011		--
0022	VTAE31890		CIRCLIP D. 35 UNI 7435	2,00			--
0023	RCIN75339		SWIVEL RACCORD ROLLER	1,00			--
0025	LAFN74740		BUSHING SW.RL55	1,00			--
0026	GUGO38710		O-RING D. 9.3 X 2.4 VIT 70SH	1,00			--
0027	GUVR72923		ANTI-EXTR.RING 13,9X 10,2	1,00			--
0028	LAFN74737		PIN GIUNTO GIREVOLE	1,00			--
0029	RCVR74739		SPACER GIUNTO GIREVOLE	1,00			--
0030	RCDS74738		RING NUT M22x1	1,00			--
0031	RCIN74742		COUPLING G 3/8M	1,00			--
0032	MPVR86961		DISC ROLLER 20/40 NERO	2,00			--
0032	VTVT13797		SCREW TE 8X16 UNI8111 SW.FRM	6,00	19/03/2009		--
0033	MPVR74138		GRIP SHARK	1,00			--
0034	MPVR40573		TANK CAP MHDS-SK	2,00			--
0035	TBAP75441		HOSE-FITTING 3/ 8 L=665 R2 3/8F 90°	1,00			--
0036	LAFN85235		HOSE WIND.SUPP. ADMIRAL	1,00			--
0037	RCIN03753		MALE COUPLING M22-3/8 M-FA	1,00	01/10/2007		--
0038	RCIN03755		FEMALE COUPLIN. 3/8MB	1,00	01/10/2007		--



Ref. Part n.	Part n. 2	Description	Reference	Price
0008	KTRI76783	KIT P ROLLER 20-40	0008	--





Ref. K	Part n.	Part n. 2	Description	Quantity	Validity		Price
					From	To	
0001	RCGR41556		TAP BODY L.DOP. 1/8" MTM	1,00		08/03/2010	--
0001	PVVR40132		VALVE BODY L.DP 1/4F-1/8FF CP.	1,00	09/03/2010		--
0002	GUGO10330		O-RING D. 6.07 X 1.78 VIT 70SH	1,00		08/03/2010	--
0003	GUVR41551		ANTI-EXTR.RING SR 010	1,00		08/03/2010	--
0004	PVVR41553		SMALL PISTON L.DP. MTM	1,00		08/03/2010	--
0005	PVVR41555		RING NUT L.DOP. MTM	1,00		08/03/2010	--
0006	LAFN41552		PIPE D. 22 MTM	1,00			--
0007	VTRS15958		WASHER UNI 6592 5X15X1,5 ZB	1,00			--
0008	VTVT17639		SCREW TCEI M 5X10 UNI 5931	1,00			--
0009	MPVR41554		KNOB D. 22 MTM	1,00			--