

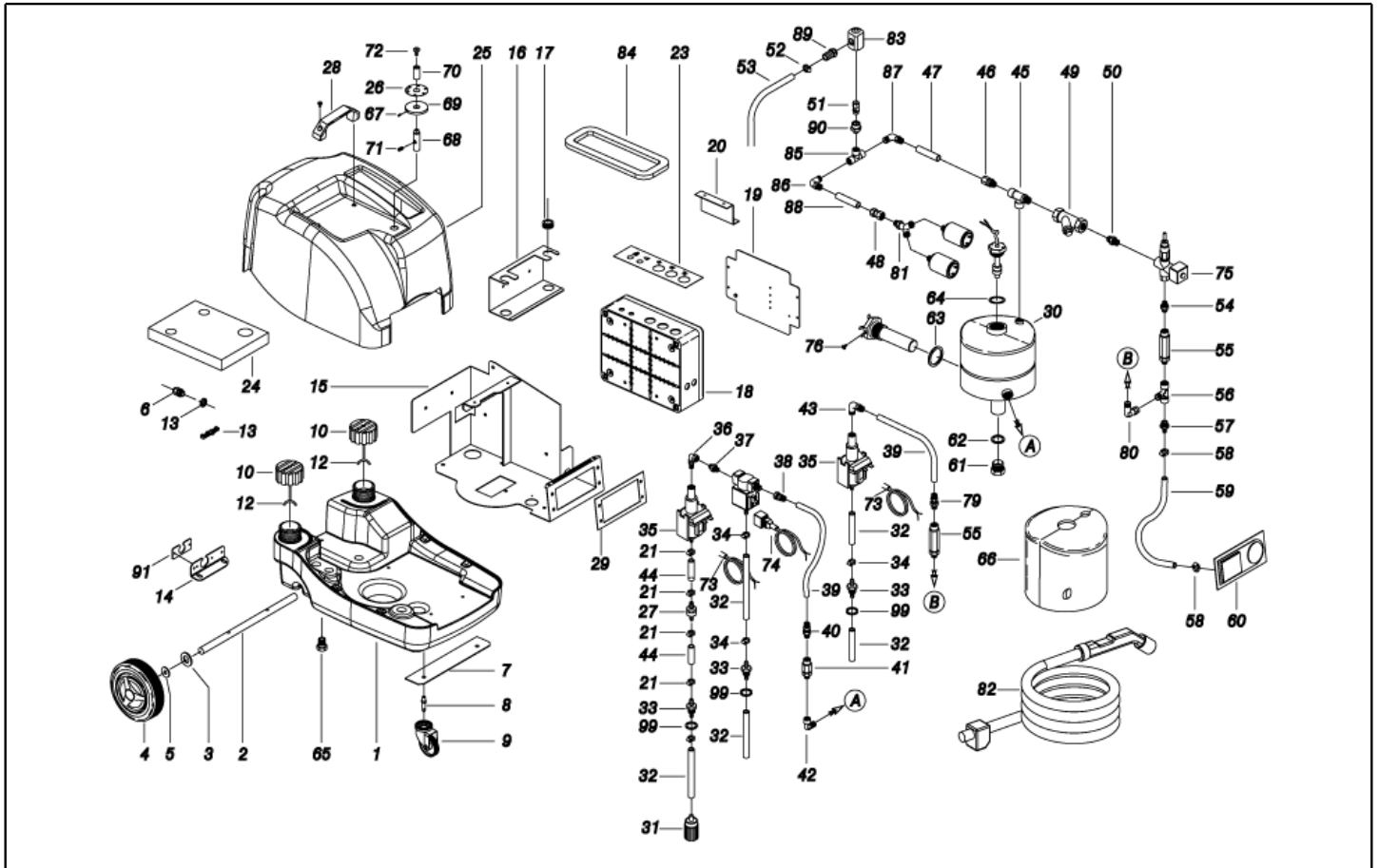


IPC

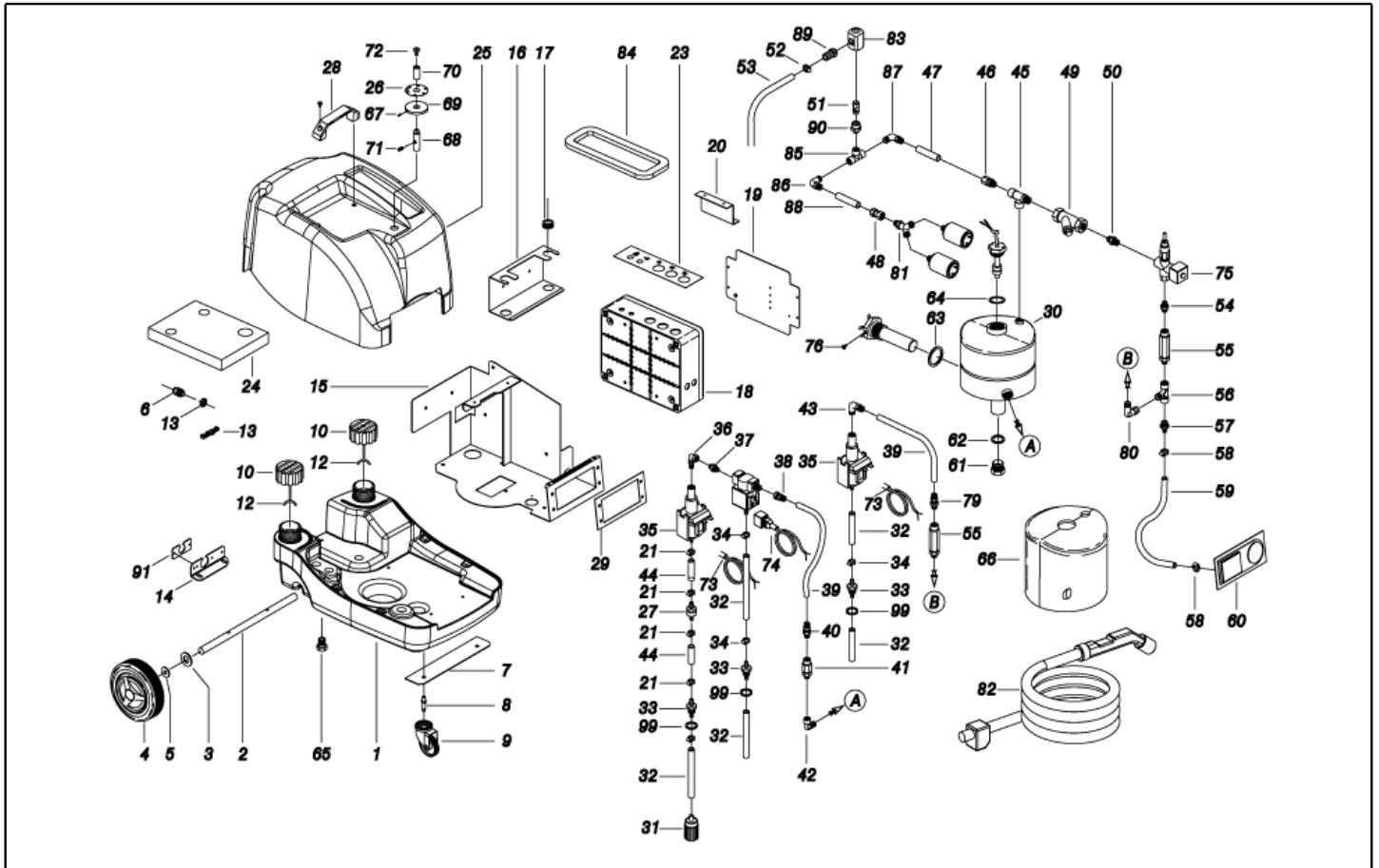
Spare parts list

Ref: GNVA40020

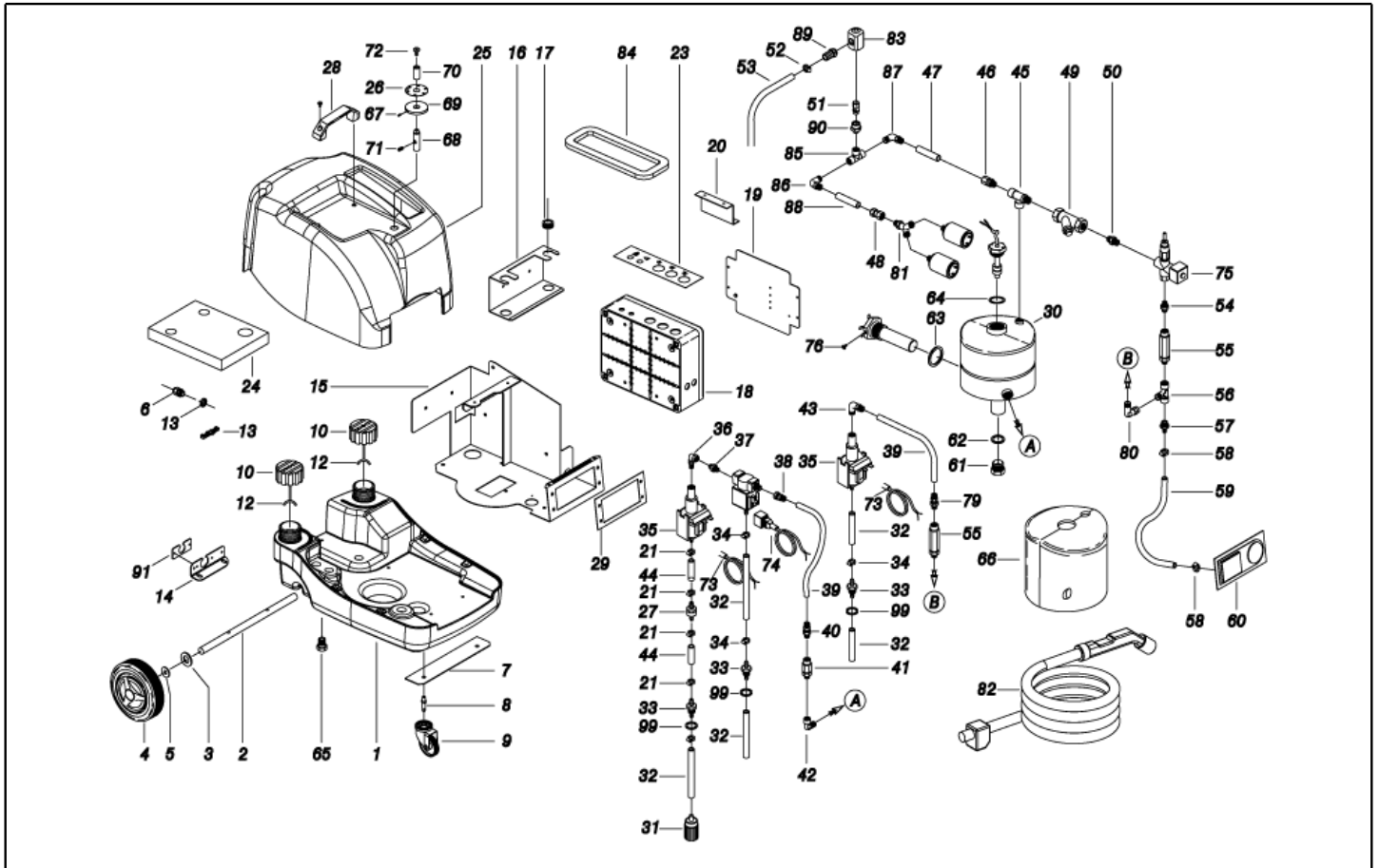
Model: STEAM GENERATOR SG-45 5008 M 230V IPC



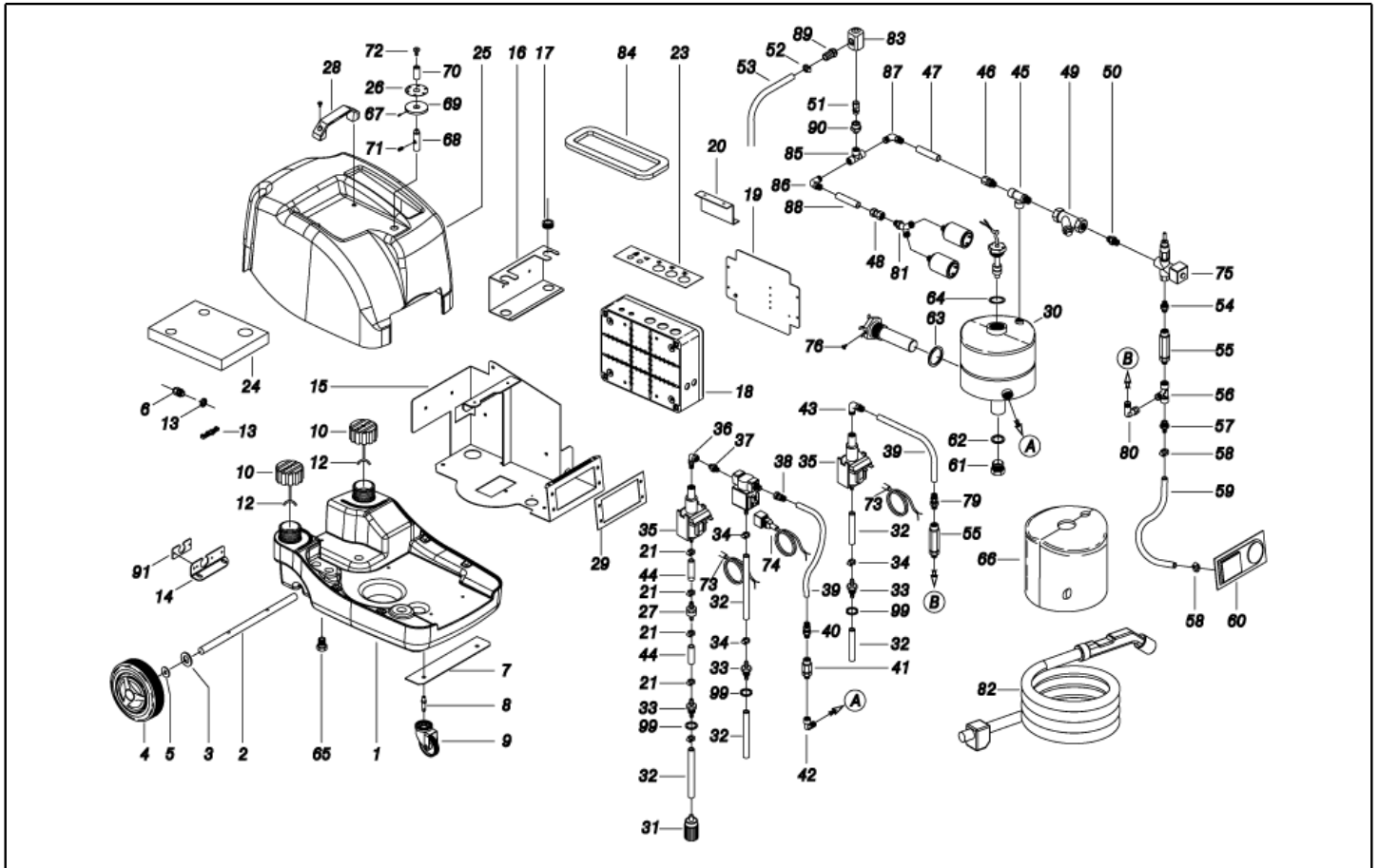
Ref. K	Part n.	Part n. 2	Description	Quantity	Validity		Price
					From	To	
0001	MPVR40077		WATER TANK STM-SV.2000 2V.PEHD	1,00	17/10/2007		--
0002	LAFN40069		WHEELS AXLE STM-SV.2000 L=340 D.16 IX	1,00			--
0003	VTRS00508		WASHER D.16 UNI 6592	2,00			--
0004	RTRT89183		WHEEL D.150-D.16X 40 SR A.TRC.	2,00			--
0005	VTRS12320		WASHER D.16	2,00			--
0006	MEVR61879		FAIR-LEAD PG 13,5 SP.	1,00			--
0007	LAFN89319		REINFORCEMENT ST-SV.20 INX	1,00			--
0008	LAFN89316		WHEEL PIN GFR M 8-D. 8 L.10 ZN.C	2,00			--
0009	RTRT42273		TURNING WHEEL D. 50 D.8 NYL	2,00			--
0010	MPVR40573		TANK CAP MHDS-SK	2,00			--
0012	MPVR88616		CORD NYL L=150 PR.SHK BK.	2,00			--
0013	MEVR87376		LOCKNUT PG 13	1,00			--
0014	LAFN40068		BRACKET STM-SV.20 IX.	1,00			--
0015	LAFN40066		FRAME STM-SV.2000 INX.	1,00			--
0016	LAFN40067		SUPPORT STM-SV.2000 IX.	1,00			--
0017	MEVR89167		FAIR-LEAD D.32 C/FORO D.15.5 OVA	4,00			--
0018	MEVR40029		BOX GER 240X190X90 SV.2900	1,00			--
0019	LAFN40280		PLATE SV.2900 ZC.	1,00			--
0020	LAFN40279		SUPPORT BRACKET SV.2900 ZC.	1,00			--
0021	FSVR00427		CLAMP D. 12 CLIC 66-110	2,00	01/04/2016		--
0021	FSVR40008		CLAMP D. 13.5 CLIC	1,00	14/03/2014	31/03/2016	--
0021	FSVR40009		CLAMP D. 14 CLIC	1,00	14/03/2014	31/03/2016	--
0021	FSVR00427		CLAMP D. 12 CLIC 66-110	1,00	01/04/2016		--
0021	FSVR40008		CLAMP D. 13.5 CLIC	1,00	14/03/2014	31/03/2016	--
0023	ETET40603		LABEL STM-SG.45 PLC	1,00			--
0024	ITTE89371		PROTECTION ST-SV.20 1PZ.	1,00			--
0025	MPVR40422		GREEN COVER STM-SV.2000 ABS	1,00			--
0027	RCVR40000		DESCALING D.24X20 PG. 8-5 OT.	1,00			--
0028	MPVR89179		HANDLE RHRG C/F.PS BK.	1,00			--
0029	LAFN40058		SUPPORT WRK SV.4000 INX	1,00			--
0030	LAFN89173		BOILER STEAM-SV.20 INX	1,00			--
0031	FDT04648		FILTER PG. D.6 PLS	2,00			--
0032	TBBP04917		L.P. HOSE D. 6- 9	0,57	01/01/2008	30/04/2012	--
0032	TBBP93804		L.P. HOSE D. 6- 9	0,57	01/05/2012		--
0033	RCDS89184		HOSE FITTING 1/2 M D. 4-7.5 X2 OT.	3,00			--
0034	FSVR11957		CLAMP D. 9,5-12 CLIC	2,00	18/02/2011		--
0035	S	PEPEL40002	PUMP BY-P.230V E 505/OT 1/8"F	2,00	01/09/2008		--
0036	RCVR34780		ELBOW 1/8" M/F A10	1,00			--
0037	RCVR04871		NIPPLE 1/8 - 1/8 CN	1,00			--
0038	RCIN26718		CONNECTOR DTT 1/8"F C2 D. 6/ 4 NIK	1,00			--
0039	TBBP43611		L.P. HOSE D. 4- 6 TEFLON	0,53			--
0040	RCVR14043		CONNECTOR DTT 1/8"M C1 D. 6/ 4 NIK	1,00			--
0041	VVSF43855		VALVE 1/8M-F OT. VIT. 250°C PRT	1,00			--
0042	RCVR89171		ELBOW 1/4-1/8 M/F NIK	1,00			--



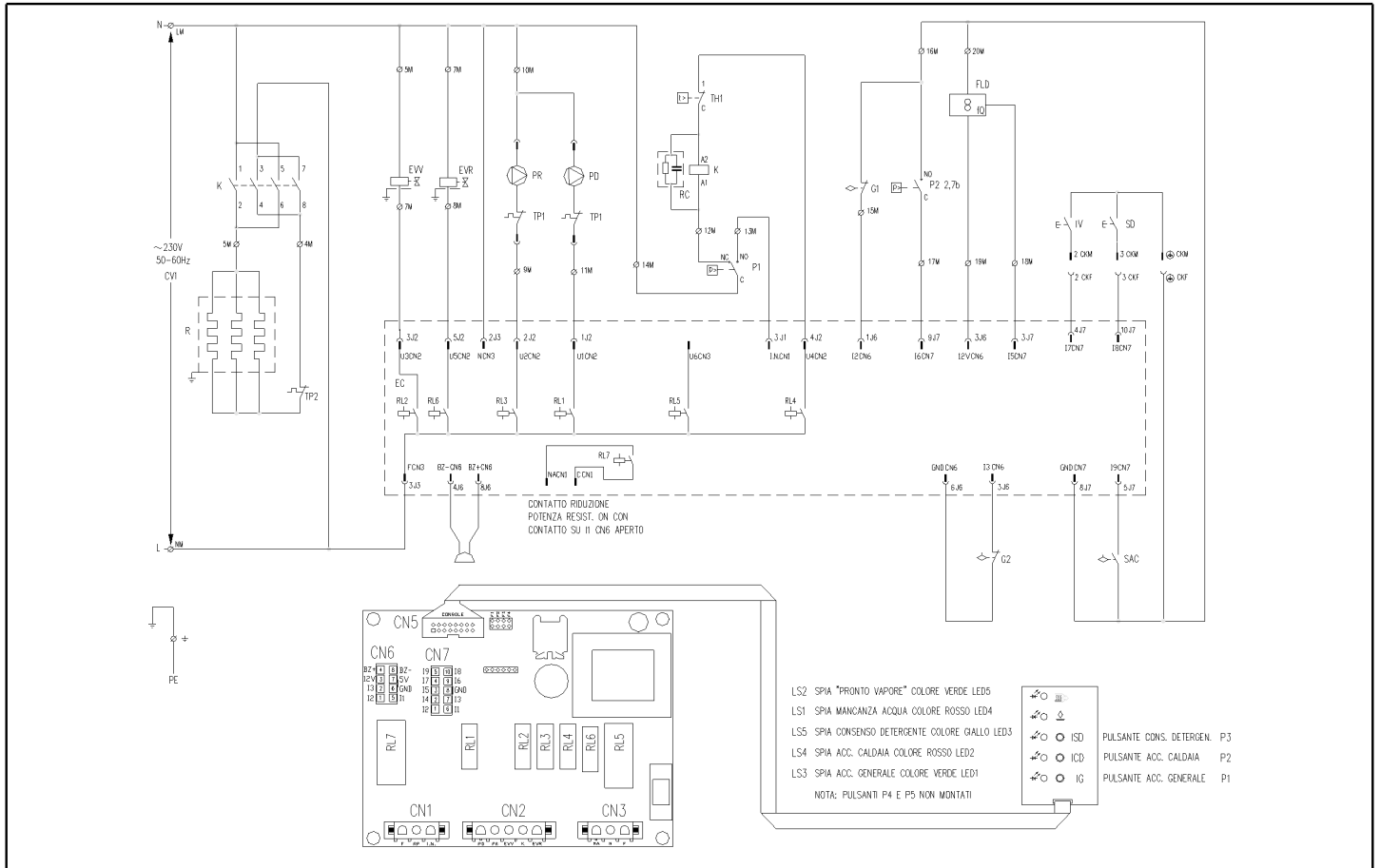
Ref. K	Part n.	Part n. 2	Description	Quantity	Validity		Price
					From	To	
0043	RCVR14044		CONNECTOR L 1/8" M C5 D. 6/ 4 NIK	1,00			--
0044	TBCO06945		L.P. HOSE D. 6-12 10BAR C.PRESS	0,10	01/04/2016		--
0044	TBCO15363		L.P. HOSE 6.4-12 MAN. 170° TR.BLU	0,10	28/01/2014	31/03/2016	--
0044	TBCO06945		L.P. HOSE D. 6-12 10BAR C.PRESS	0,23	01/04/2016		--
0044	TBCO15363		L.P. HOSE 6.4-12 MAN. 170° TR.BLU	0,23	28/01/2014	31/03/2016	--
0045	RCVR89170		CONNECTOR T 1/4 F/MM A18	1,00			--
0046	RCVR17280		BI-CONE CONNEC. DTT 1/4" M B1 D. 6/ 8 NIC	1,00	03/09/2014		--
0046	RCVR88289		BI-CONE CONNEC. DTT 1/4" M B1 D. 4/ 6 NIC	1,00		02/09/2014	--
0047	LAFN40660		TUBE D.8 SV.29 L.80 RM.	1,00	03/09/2014		--
0048	RCVR46851		BI-CONE CONNEC. DTT 1/8" F B2 D. 4/ 6 NIC	1,00			--
0049	FTAC89370		FILTER 1/4 F/F 2.V.+1/8F-F.SC. OT	1,00		02/09/2014	--
0049	FTAC88290		FILTER 1/4 F/F 2.VERS.	1,00	03/09/2014	11/02/2016	--
0049	FTAC88309		FILTER 1/4 F/F 2.V +F.SC.	1,00	12/02/2016		--
0050	RCVR03535		NIPPLE 1/4 - 1/8 CN	1,00			--
0051	VVSC40013		VALVE ITAL G 1/4M 7B. PED/IV VT	1,00	03/09/2014		--
0051	VVSC43613		VALVE G1/4-3/8" F 7bar VIT.	1,00		02/09/2014	--
0052	FSVR39917		CLAMP D. 23.5 CLIC	1,00	03/09/2014		--
0053	TBBP40080		L.P. HOSE D.12.7-20 20 B. 100C.	0,53	03/09/2014		--
0053	TBBP04918		L.P. HOSE D. 8-10 RILSAN NT.	0,20		02/09/2014	--
0054	RCDS40017		NIPPLE 1/4 - 1/4 CL. OT. D.2	1,00			--
0055	VVSF43855		VALVE 1/8M-F OT. VIT. 250°C PRT	1,00			--
0055	VVSF43855		VALVE 1/8M-F OT. VIT. 250°C PRT	1,00			--
0056	RCVR29339		CONNECTOR T 1/8 F/F/F A11 NIK	1,00			--
0057	RCDS21900		HOSE FITTING 1/8 M D. 3- 7	1,00		31/03/2016	--
0057	RCVR40180		HOSE FITTING 1/8 M D. 6 NIK	1,00	01/04/2016		--
0058	FSVR00427		CLAMP D. 12 CLIC 66-110	1,00	28/11/2009		--
0058	FSVR00427		CLAMP D. 12 CLIC 66-110	1,00	01/04/2016		--
0058	FSVR40007		CLAMP D. 13 CLIC	1,00		31/03/2016	--
0059	TBBP40099		TUBE EPDM-AT 5-11 200°C 10BAR	0,15	01/04/2016		--
0059	TBCO15363		L.P. HOSE 6.4-12 MAN. 170° TR.BLU	0,15		31/03/2016	--
0060	MPVR49439		SOCKET STM.SV. CPL. WK	1,00			--
0061	RCDS46456		CAP 1/2 M STM/JPN	1,00			--
0062	GUGO46462		O-RING D. 18.72 X 2.62 SIL.70SH	1,00			--
0063	GUVR40019		GASKET D.40 X54 X2 PTFE	1,00			--
0064	GUGO47490		O-RING D. 28 X 5 HNBR 70SH	1,00			--
0065	RCVR89230		CAP G 1/8 M C/O-RING.	2,00			--
0066	ITTE89174		PROTECTION STM.SV20 2PZ.	1,00			--
0067	VTVR40009		BUTTON GN615.3-M5-KN INX	1,00			--
0068	MPVR40219		PIN D. 15X33-38 PA66-FV	1,00			--
0069	MPVR40218		DISC PVC D. 55 -15.5 ELETT.	1,00			--
0070	MPVR45213		THICKNESS FC10	1,00			--
0070	MPVR45212		KNOB FC10	1,00			--
0072	VTVT27366		SCREW M 4X20 TCB T-CROCE INOX	1,00			--
0073	MECB40130		CABLE N.457 3X1 L= 550	1,00			--



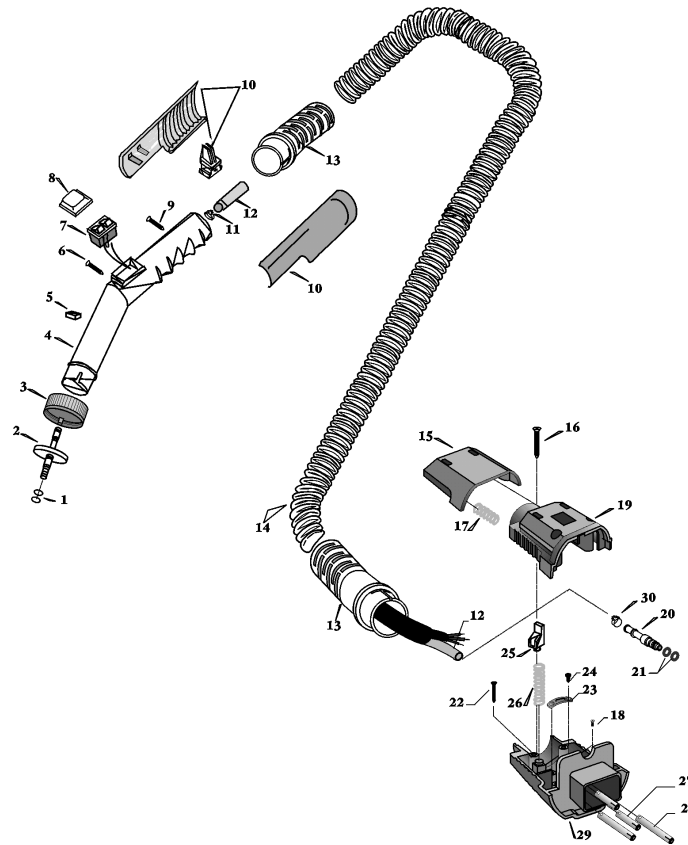
Ref. K	Part n.	Part n. 2	Description	Quantity	Validity		Price
					From	To	
0075	MECB40045		CABLE N.425 3X0.75 SG L. 65 CN.	1,00			--
0075	MEEV40002		SOLENOID VALVE OLB 2V.1/4F 90°-R.250°+M3	1,00	01/11/2014		--
0075	MEEV40006		SOLENOID VALVE OLB 2V.1/4F 90°-R.250°+GH	1,00		31/10/2014	--
0079	RCVR14043		CONNECTOR DTT 1/8" M C1 D. 6/ 4 NIK	1,00			--
0080	RCVR34780		ELBOW 1/8" M/F A10	1,00			--
0081	RCVR28796		CONNECTOR Y 1/8 M/F/F	1,00			--
0082	IPIP45815		GRIP WORK 4P + 5 MT	1,00			--
0083	RCDS40199		CAP SV-29 OT.	1,00	03/09/2014		--
0084	GUVR13437		EDGE H=10	0,51			--
0085	RCVR00668		TEE UNION 1/4 F/F/F	1,00	03/09/2014		--
0086	RCVR46460		BI-CONE CONNEC. L 1/4" M B5 D.4/ 6 NIK	1,00	03/09/2014		--
0087	RCVR40136		BI-CONE CONNEC. L 1/4" M CN D.6/ 8 NIK	1,00	03/09/2014		--
0088	LAFN40661		TUBE D.6 SV.29 L.170 RM.	1,00	03/09/2014		--
0088	LAFN89168		TUBE D. 6 STM-SV.20 RM.	1,00		02/09/2014	--
0089	RCDS40200		HOSE FITTING 3/8 M D.17 OT. SV-29	1,00	03/09/2014		--
0090	RCDS40189		BUSHING SG-50 OT.	1,00	03/09/2014		--
0091	LAFN40833		BRACKET STM-SV.29/2 IX.	1,00	02/11/2015		--
0099	GUVR40599		GASKET D. 1/2" -1"	3,00	20/11/2013		--
9999	AZMC89563		DISASS.SPANNER 13 L=315 SV.20	1,00			--
9999	KTRI89902		KIT P 33- 7 O-RING SV2-30	1,00			--
9999	KTRI40276		KIT V-14 GR.	1,00	18/09/2014		--



Ref. Part n.	Part n. 2	Description	Reference	Price
0035	KTRI40088	KIT PX 5- 41 PUMP E505/OT.+UP62	TP1 0035	--



Ref. K	Part n.	Part n. 2	Description	Quantity	Validity		Price
					From	To	
G	MECI89166		SWITCH REED N.A. H85	2,00	17/10/2007		--
K	METT32202		CONTACTOR MC1 A 400A T6 230V 50/60	1,00			--
P	MEPF43605		PRESSURE SWITCH 1/8M PN-5611/VAP 5B. CP	1,00			--
R	MEVR88893		RESISTANCE 55 OHM 2.8KW T 23/400V 2V	1,00			--
BZ	MECB40136		BUZZER D.32 KPEG260 3-28V CBL.	1,00			--
EC	MECE40008		PCB STEAM.JT. C/CM.DGT.AFNOR	1,00			--
P2	MEPF40008		PRESSURE SWITCH 1/8M PN-5611/VAP 2.5B. CP	1,00			--
RC	MECE43563		RESISTANCE RC 0.47MF X2 100OHM 250V	1,00			--
TH	METK40992		THERMOSTAT 245°C TR2 15(2.5)A 250V	1,00			--
CV1	MEVR01654		SHEATH D. 10 STERLING YL.	0,50			--
CV1	MECB87998		CABLE H07 RNF 3X2.5 L=10.00 SP.	1,00			--
CV2	MECB40107		CABLE FLAT 16V. L= 500	1,00			--
EC2	MECE40026		BOARD COM. C/SCH.F078_0 CP. IPC	1,00			--
EVR	MEEV43661		ELECTROVALVE OLB 3V.1/8M/F+PG.7 D.2.8	1,00			--
SAC	MECI43618		SWITCH REED G1"1M 180°C L= 100	1,00			--
TP1	S METK43603		KLIKSON UP62 110°C	2,00			--
TP2	METK43620		THERMOSTAT 250°C RIP. NC CER.16A 250	1,00			--



Ref. K	Part n.	Part n. 2	Description	Quantity	Validity		Price
					From	To	
0001	GUGO03496		O-RING D. 9.25 X 1.78 NBR 70SH	2,00			--
0002	RCIN88801		MALE COUPLING STEAM OT. V.	1,00			--
0003	MPVR88802		RING NUT STEAM WK.	1,00			--
0004	MPVR88803		GRIP STEAM WK.	1,00			--
0005	MPVR88804		CLAMP STEAM. LG.	1,00			--
0006	VTVT00421		SCREW TSPIC 2,9x22 UNI6955 inox	1,00			--
0007	MECI49153		SWITCH MLV VT.+RD.0-1 230V	1,00			--
0008	MEVR88805		MAMBRANE MLV	1,00			--
0009	VTVT88806		SCREW ATF TSP-TC 2,9X9,5 U.6955	1,00			--
0010	MPVR88807		SHELL WK ST. 3PZ.	1,00			--
0011	FSVR00427		CLAMP D. 12 CLIC 66-110	1,00			--
0012	TBCO15363		L.P. HOSE 6.4-12 MAN. 170° TR.BLU	5,30			--
0013	MPVR88011		SLEEVE N.STY. FLX	2,00			--
0014	TBFX88816		SHEATH FLEX D.16,5	5,30			--
0015	MPVR88012		COVER N.STY.	1,00			--
0016	VTVT47138		SCREW TSP-TC 3,9X32 ZC. UNI6955	1,00			--
0017	MLML46876		SPRING WK IP	1,00			--
0018	VTVT88015		SCREW M 2,5X 4 TC-TC ZC. U.6107	6,00			--
0019	MPVR88013		COWLING VAP.SP.	1,00			--
0020	RCDS88014		JOINT C/PG. D. 5 OT	1,00			--
0021	GUGO12489		O-RING D. 6.07 X 1.78 NBR 70SH	2,00			--
0022	VTVT00380		SCREW TSPIC 2,9x25 UNI 6955	4,00			--
0023	MPVR88016		CABLE FASTNER VAP.	1,00			--
0024	VTVT00522		SCREW TCB-TC 2.9X 9.5 UNI6954	2,00			--
0025	MPVR88017		BUTTON VAP. WK	1,00			--
0026	MLML88018		SPRING VAP. WK	1,00			--
0027	MEVR46886		CONTACT PLG. D.4X28.5 OT.	5,00			--
0028	MEVR46887		CONTACT PLG. D.4X36 OT.	1,00			--
0029	MPVR88019		COWLING VAP.IF.	1,00			--
0030	FSVR11957		CLAMP D. 9.5-12 CLIC	1,00			--