

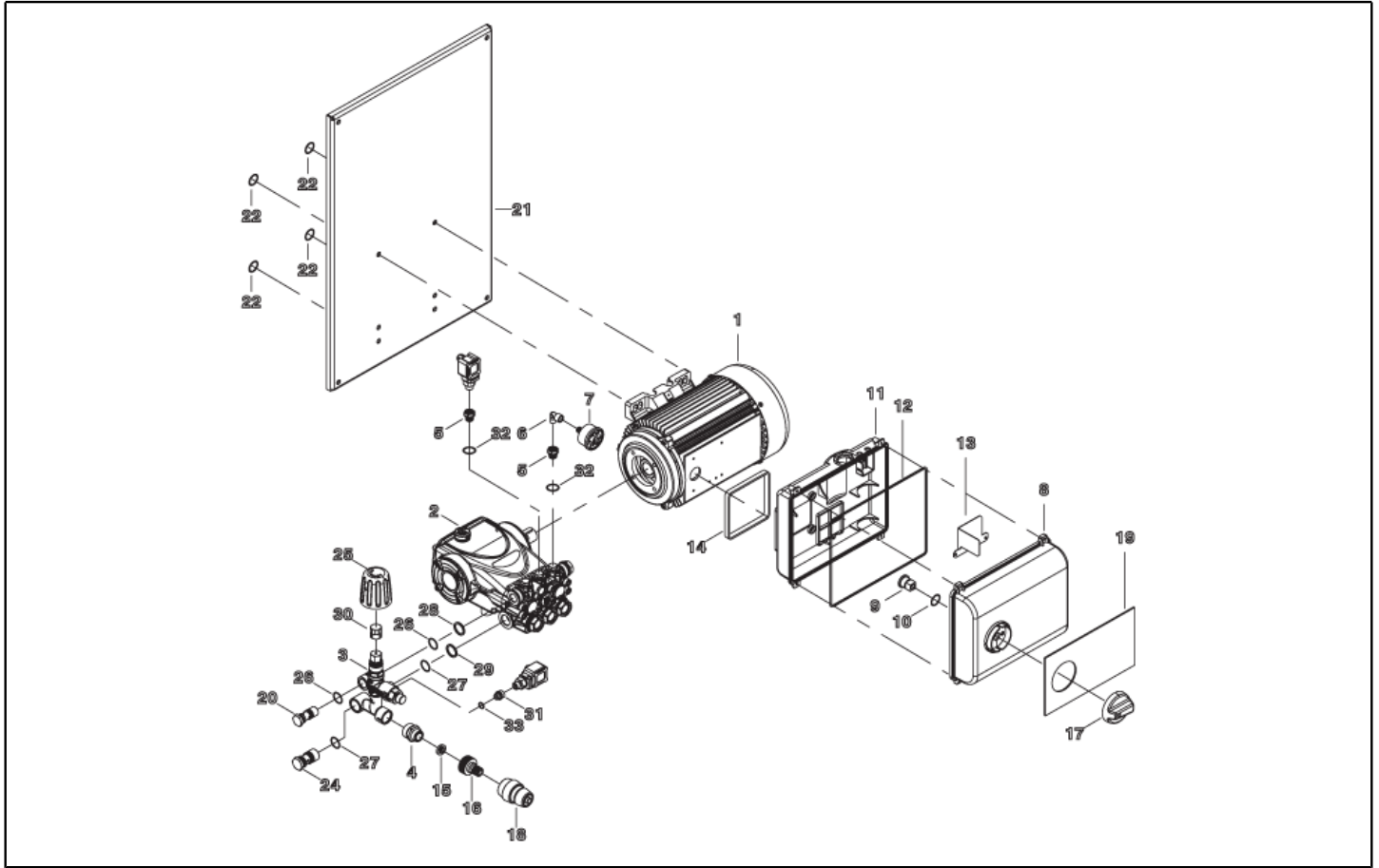


IPC

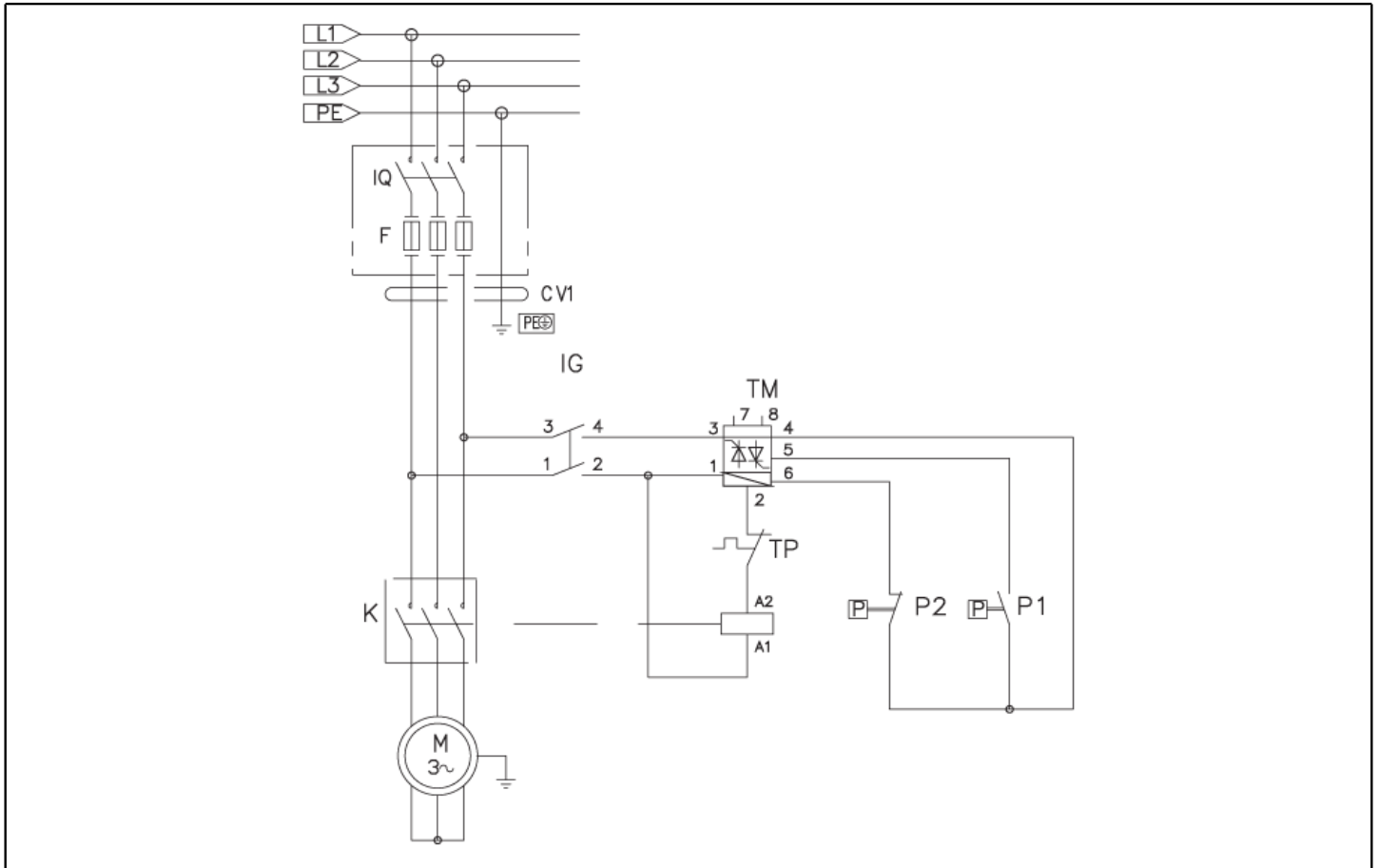
Spare parts list

Ref: PPEL40087

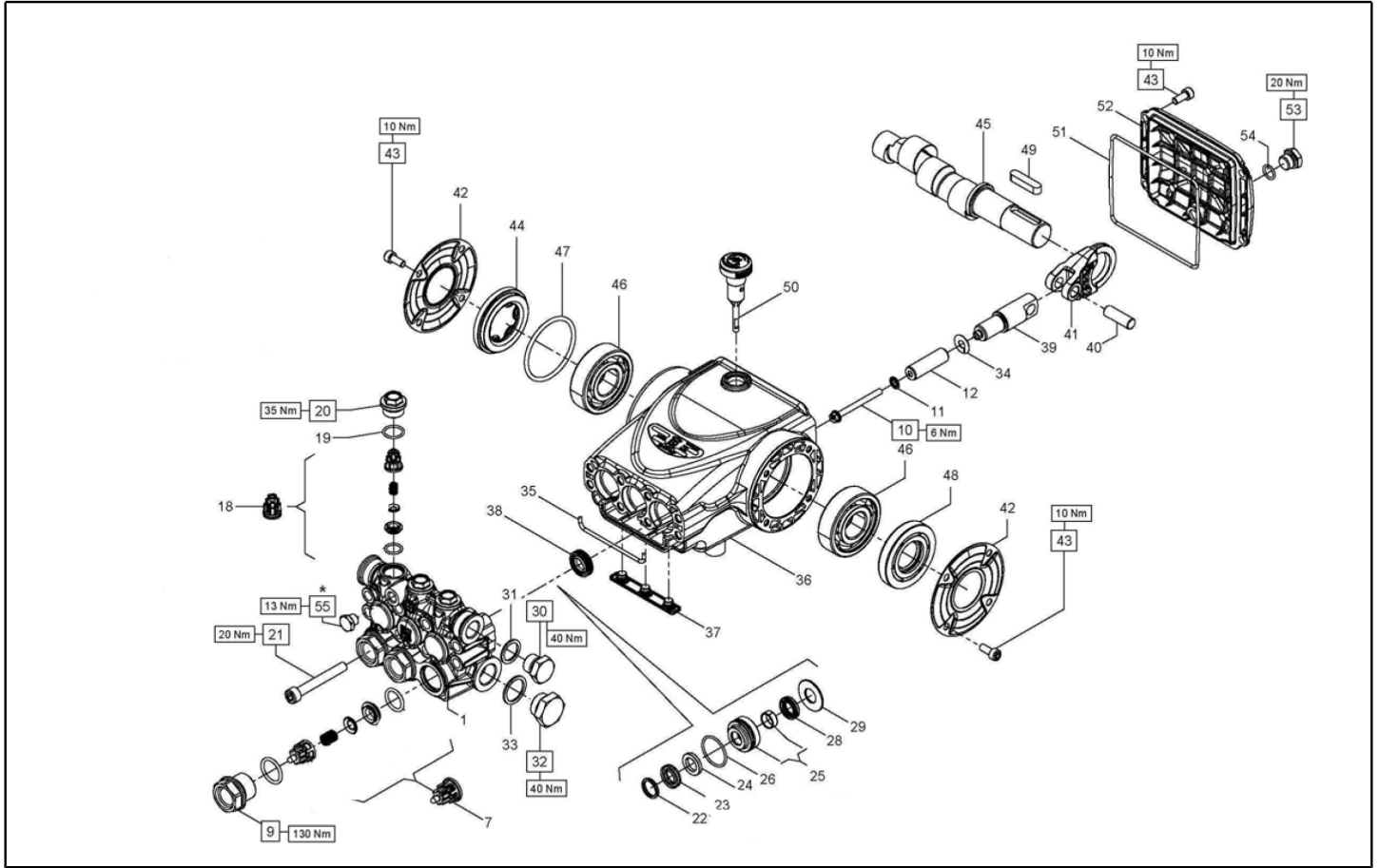
Model: H.P. CLEANER MLC-C D1915Pi T400/50 IRS



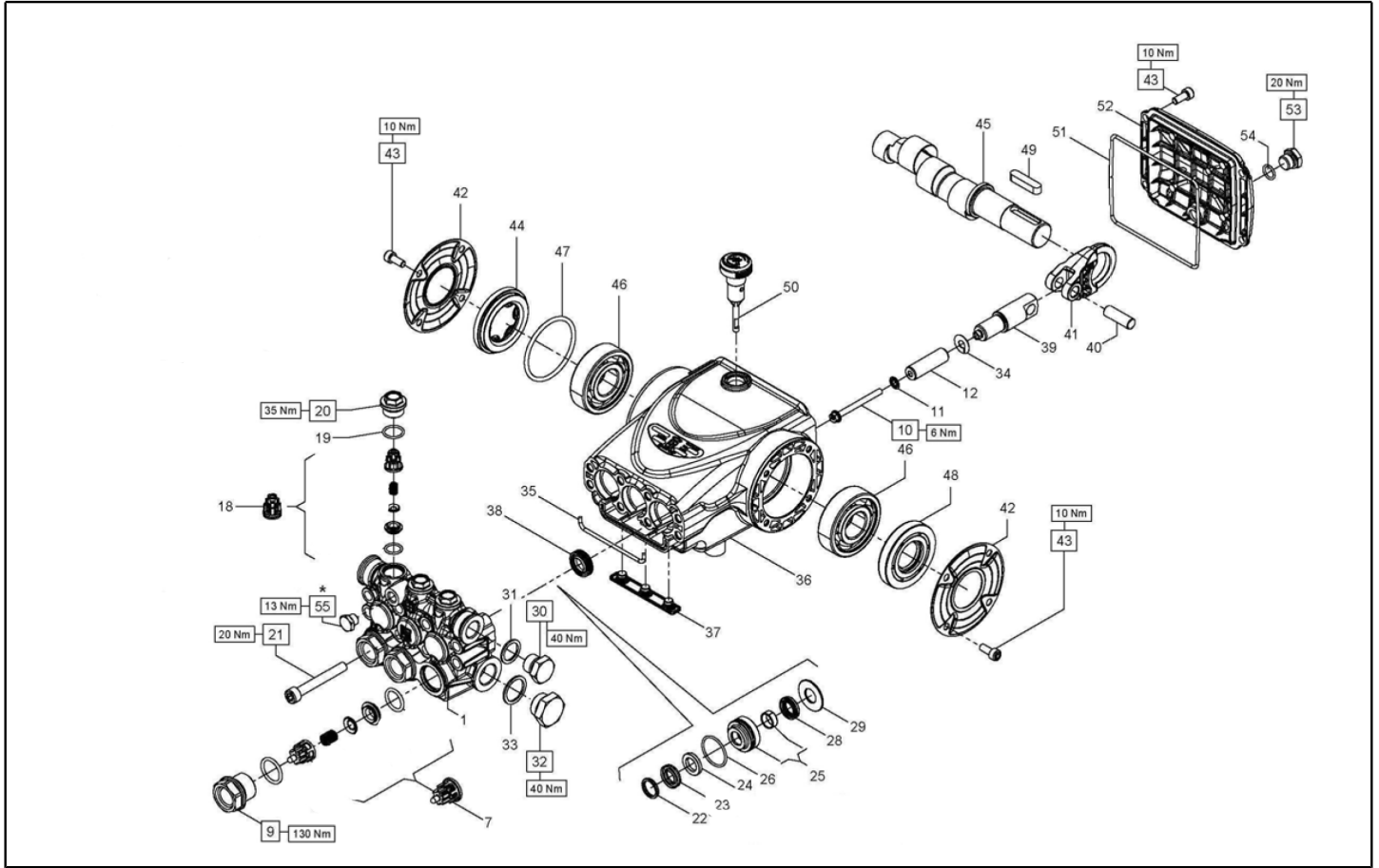
Ref. K	Part n.	Customer part n.	Description	Quantity	Validity		Price
					From	To	
0001	MOTR40034		3PH MOTOR C40/AC HP 6.0 2/4-50 4P R	1,00			--
0002	PPAP40127		PUMP "E2" B 2014 DX OT.	1,00			--
0003	VVAZ40083		VALVE VRF-2 EVO PPr.S/IN.M22	1,00			--
0004	RCDS87610	00087610	NIPPLE 3/4 - 1/2 CB D.13.0	1,00			--
0005	PVVR40493		CAP M18X1.5X10 + 1/8" F E.OT	2,00			--
0006	RCVR34780	00034780	ELBOW 1/8" M/F A10	1,00			--
0007	MNMN93800		PRESSURE GAUGE 1/8 POST. 0-300 D.40 S/ST	1,00			--
0008	MPVR40335		BOX COVER PW-C40 ABS BK.	1,00			--
0009	MPVR23482	00023482	SWITCH TANG TEC. TUV	1,00			--
0010	GUGO25527	00025527	O-RING D. 14 X 3 NBR 70SH	1,00			--
0011	MPVR40669		CONTROL BOX PW-C50 MP/DS ABS BK.	1,00	01/04/2016		--
0012	GUGO33675	00033675	JOINT MOUSSE D. 4	0,90			--
0013	LAFN40830		SUPPORT PW-C85 INX	1,00	01/05/2016		--
0014	GUGO10881	00010881	GASKET M.EL. 73X73	1,00			--
0015	FTDT12702	00012702	FILTER PA	1,00			--
0016	RCVR29600	00029600	SOCKET PTC 3/4 F	1,00			--
0017	MPVR49057	00049057	BLACK KNOB P176-M.RACE PA6	1,00			--
0018	RCVR29602	00029602	CONNECTOR D. 1/2"-5/8" PTC	1,00			--
0019	ETET40714		LABEL GR. MPU-C IPC	1,00			--
0020	RCDS40172		SCREW 3/8 VRF-2 OT. 4F.	1,00			--
0021	LAFN40673		SUPPORT BRACKET MPU-C AL.	1,00			--
0022	MPVR37393	00037393	RUBBER D. 10-30 L=13 70SH PRM	4,00			--
0024	RCDS40171		SCREW G 1/2 VRF-2 OT. 2F.	1,00			--
0025	MPVR40589		BLACK KNOB ST 260 IPC	1,00			--
0026	GUGO03510	00003510	O-RING D. 12.37 X 2.62 NBR 70SH	2,00			--
0027	GUGO01048	00001048	O-RING D. 15.88 X 2.62 NBR 70SH	2,00			--
0028	VTRS00548	00000548	WASHER D.17,5X23X1,5 (3/8)RM	1,00			--
0029	VTRS00549	00000549	WASHER D.21,5X27X1,5 (1/2) RM	1,00			--
0030	PVVR40273		ADAPTER VRF-2 RG.	1,00			--
0031	RCVR89164		SLEEVE 1/8 M/F A5	1,00			--
0032	GUGO03505	00003505	O-RING D. 15.6 X 1.78 NBR 70SH	2,00			--
0033	VTRS63256	00063256	WASHER D.10,3X16X1,5 1/8 RM	1,00			--
9999	UGLN49987	00049987	NOZZLE LECH 1/4 15045	1,00			--



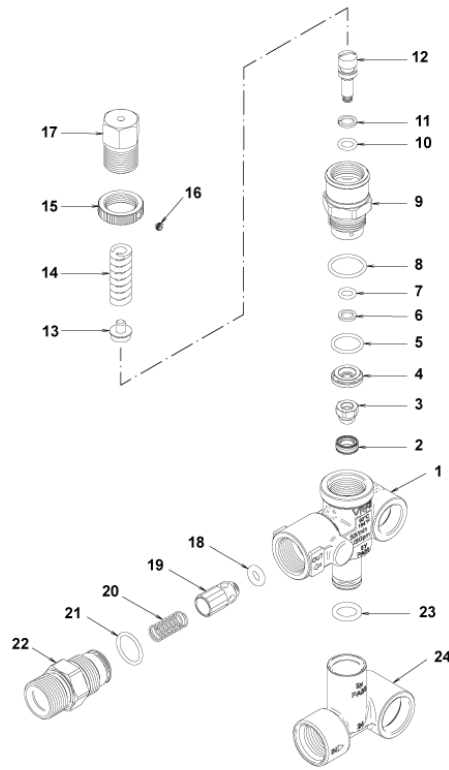
Ref. K	Part n.	Customer part n.	Description	Quantity	Validity		Price
					From	To	
K	METT40013		CONTACTOR SIE 3RT 2017-1AV01 400V	1,00	15/10/2014		--
K	METT40664	00040664	CONTACTOR SIE 3RT 1017 1AV01 400V	1,00		14/10/2014	--
IG	MECI40020		SWITCH BRM BP. 0-1 12A	1,00	20/10/2014		--
IG	MECI40022		SWITCH BRM BP. 0-1 20A	1,00		19/10/2014	--
TM	METY40003		TIMER THV/1 400-5/60 30S.2P	1,00	01/04/2016		--
CV1	MECB40002		CABLE H07 RNF 4X1.5 L=6.500	1,00			--
P1,2	MEPF40036		PRESSURE SWITCH MTM 1/8M NA/NC 15B. MICRO	2,00	01/04/2016		--



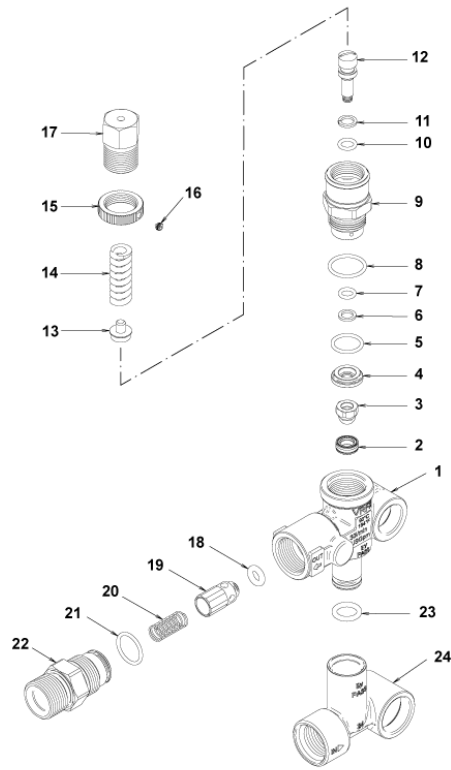
Ref. K	Part n.	Customer part n.	Description	Quantity	Validity		Price
					From	To	
0001	MFVR40070		HEAD "58" E2 D.18 OT	1,00			--
0007	S VVAM28467	00028467	VALVE UNIT "44" WW136-186	3,00			--
0008	S GUGO01033	00001033	O-RING D. 20.24 X 2.62 NBR 90SH	3,00			--
0009	S RCDS28466	00028466	CAP M24X1.5X17 "44"	3,00			--
0010	VTVT00679		SCREW TE M 5X 55 UNI 5737 ZC	3,00			--
0011	VTRS40037		WASHER D. 5.0X11.5X0.4	3,00			--
0012	PIVR40017		PISTON D.18X42 "58"	3,00			--
0018	S VVAM40009		VALVE UNIT "58" E2-MD.	3,00			--
0019	S GUGO03505	00003505	O-RING D. 15.6 X 1.78 NBR 70SH	3,00			--
0020	S PVVR40492		CAP M18X1.5X10 EVO.OT	3,00			--
0021	VTVT01121	00001121	SCREW TCEI 8X60 UNI5931	8,00			--
0022	S PVVR40496		HEAD RING D. 18 "58"	3,00			--
0023	S GUVVR40103		PACKING D. 18 HP "58E2"	3,00			--
0024	S GUVVR40104		ANTI-EXTR.RING D.18 X28 X2	3,00			--
0025	S PVVR40497		PACKING RETAIN. D. 18 "58E2"	3,00			--
0026	S GUGO18855	00018855	O-RING D. 26.70 X 1.78 NBR 70SH	3,00			--
0028	S GUVVR46029	00046029	PACKING D. 18 L.P. "63"	3,00			--
0029	S PVVR40498		RING D.18 "58"	3,00			--
0030	S RCDS01090	00001090	CAP 3/8X13 M WW90	1,00			--
0031	VTRS01074	00001074	WASHER D.17,05X22,3 X1,5	1,00			--
0032	RCDS01091	00001091	CAP 1/2X10 M	1,00			--
0033	VTRS00549	00000549	WASHER D.21,5X27X1.5 (1/2) RM	1,00			--
0034	VTRS40038		WASHER D. 7.5X23 X0.5	3,00			--
0035	GUVVR40105		GASKET D. 3X 94	1,00			--
0036	MFVR40071		PUMP CRANKCASE "58" E2	1,00			--
0037	PVVR40499		PROTECTION INF. "58"	1,00			--
0038	S GUGO40076		OIL SEAL 15X 24X 5/7 NBR70	3,00			--
0039	PVVR40500		PISTON GUIDE "58" EVO.2	3,00			--
0040	PVVR28458	00028458	GUDGEON D.10X29.5 "44"	3,00			--
0041	BLVR40008		CONNECTING ROD "58" EVO.2	3,00			--
0042	MFVR40072		CRANKCASE COVER "58" LT. EVO.2	2,00			--
0043	VTVT01114	00001114	SCREW TCEI 6X14 UNI 5931	12,00			--
0044	MFVR28454	00028454	SPACER "44"	1,00			--
0045	ALMO40040		SHAFT "58" N C.13 D.24	1,00			--
0046	CUVR09654	00009654	BALL BEARING 6305	2,00			--
0047	GUGO01040	00001040	O-RING D. 55.56 X 3.53 NBR 70SH	1,00			--
0048	GUGO28465	00028465	OIL SEAL 25X 62X10 NBR70	1,00			--
0049	VTVR09510	00009510	KEY 8X7X35	1,00			--
0050	PVVR40501		OIL DIPSTICK G 3/8" X51	1,00			--
0051	GUGO40077		O-RING D. 113.97 X 2.62 NBR 70SH	1,00			--
0052	MFVR40073		CRANKCASE COVER "58" EVO.2	1,00			--
0053	PVVR40502		CAP 1/4X 9 M TE17 ZC	1,00			--
0054	GUGO01036	00001036	O-RING D. 10.82 X 1.78 NBR 70SH	1,00			--
0055	RCDS09704	00009704	CAP G 1/8 KR	1,00			--



Ref. Part n.	Cust. part n.	Description	Reference	Price
KTRI40404		KIT P 15-269 EVO.2	0007 0018	--
KTRI40405		KIT P 15-270 EVO.2	0008 0009 0019 0020	--
KTRI40406		KIT P 15-271 EVO.2	0038	--
KTRI40407		KIT P 15-274 D.18 EVO.2	0022 0023 0024 0026 0028	--
KTRI40408		KIT P 15-277 D.18 EVO.2	0022 0023 0024 0025 0026 0028 0029	--



Ref. K	Part n.	Customer part n.	Description	Quantity	Validity		Price
					From	To	
0001	PVVR40375		VALVE BODY VRF2 +G1/8 F	1,00			--
0002	S PVVR40363		VALVE SEAT MV124 +OR	1,00			--
0003	S PVVR40364		COUPLING MV124	1,00			--
0004	S PVVR40365		SPACER MV124	1,00			--
0005	S GUGO12322	00012322	O-RING D. 14 X 1.78 NBR 90SH	1,00			--
0006	S GUVR40072		ANTI-EXTR.RING D. 6.5X 9.4	1,00			--
0007	S GUGO83861		O-RING D. 6.07 X 1.78 NBR 90SH	1,00			--
0008	S GUGO24913	00024913	O-RING D. 17.17 X 1.78 NBR 90SH	1,00			--
0009	S PVVR40366		CONNECTOR VRF2 D.10	1,00			--
0010	S GUGO03500	00003500	O-RING D. 6.75 X 1.78 NBR 70SH	1,00			--
0011	S GUVR40073		ANTI-EXTR.RING D. 7.1X10 X1.2 TBT	1,00			--
0012	S PVVR40367		SMALL PISTON D.10 VRF2	1,00			--
0013	PVVR40368		SPRING PLATE MV124 25B	1,00			--
0014	MLML40027		SPRING D. 3.0/6.0 X38.85	1,00			--
0015	PVVR40369		RING NUT MV167.09	1,00			--
0016	VTVT89696		SCREW EI-ST 4X 4 UNI5927 ZC	1,00			--
0017	PVVR40370		CAP VRF2 M18X1	1,00			--
0018	S GUGO46053	00046053	O-RING D. 6 X 3 NBR 90SH	1,00			--
0019	S PVVR40349		COUPLING VRT3	1,00			--
0020	S MLML40026		SPRING VRT3	1,00			--
0021	S GUGO12321	00012321	O-RING D. 15.6 X 1.78 NBR 90SH	1,00			--
0022	PVVR40374		CONNECTOR VRT3 M22 M	1,00			--
0023	S GUGO11225	00011225	O-RING D. 10.78 X 2.62 NBR 70SH	1,00			--
0024	PVVR40503		CONNECTOR VRF2.19 EVO.	1,00			--



Ref. Part n.	Cust. part n.	Description	Reference	Price
KTRI40236		KIT P 14-103 VRF2	0002 0003 0004 0005 0006 0007 0008 0009 0010 0011 0012 0018 0019 0020 0021	--
KTRI40237		KIT P 14-104 SEAL VRF2	0002 0003 0005 0006 0007 0008 0010 0011 0018 0021	--