

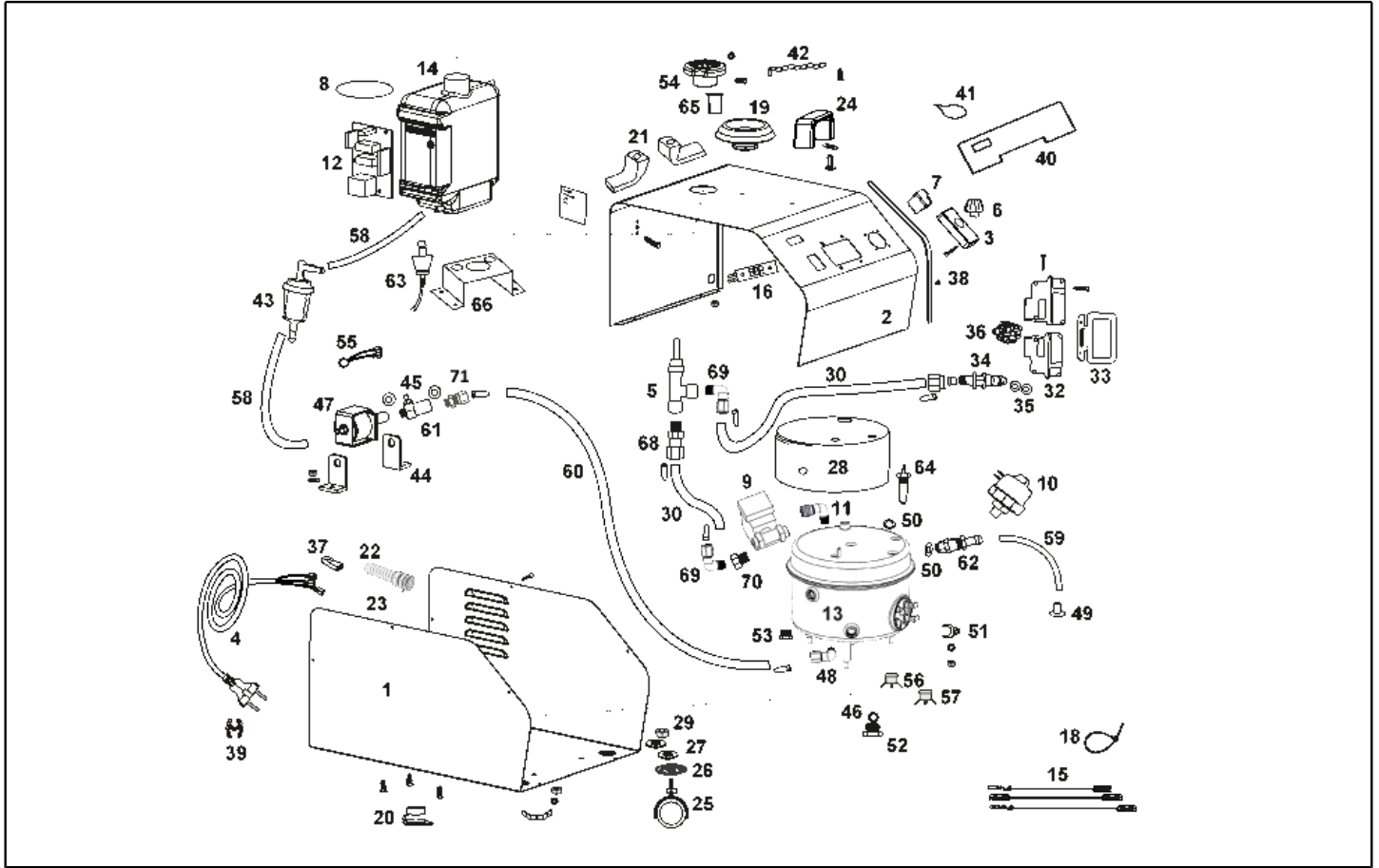


IPC

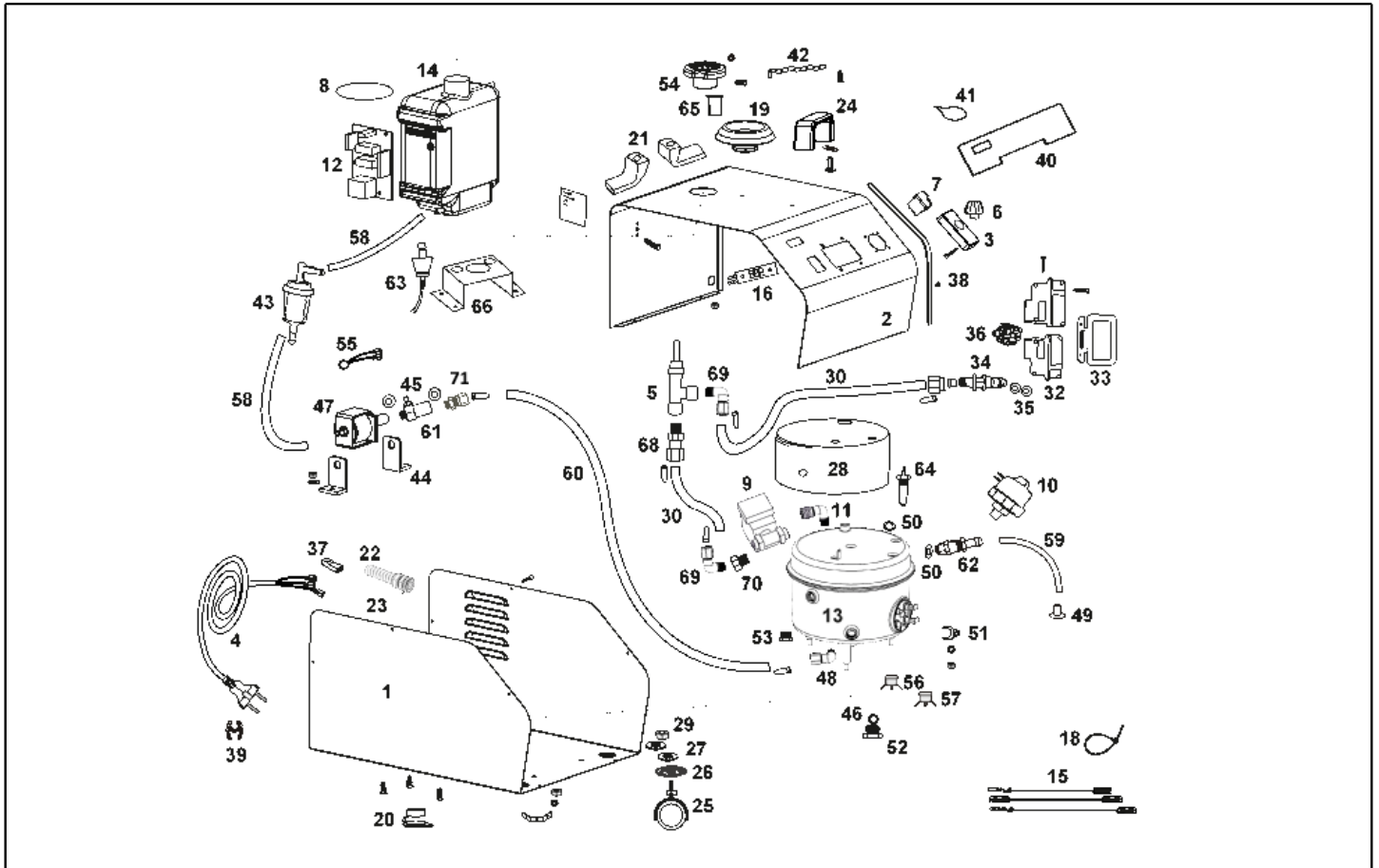
Spare parts list

Ref: GNVA40038

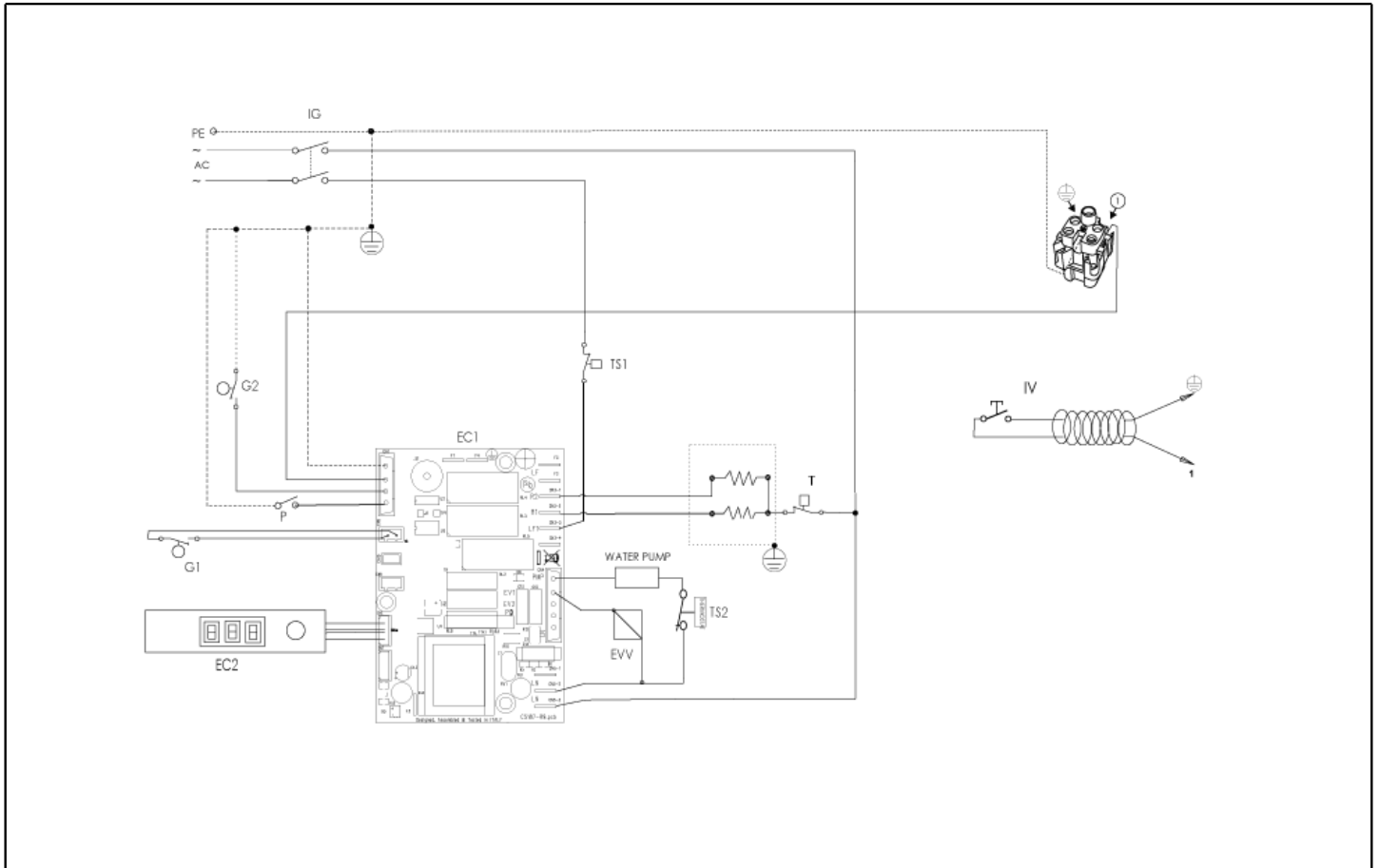
Model: STEAM GENERATOR SG-10 S 6008 M 230V IPC



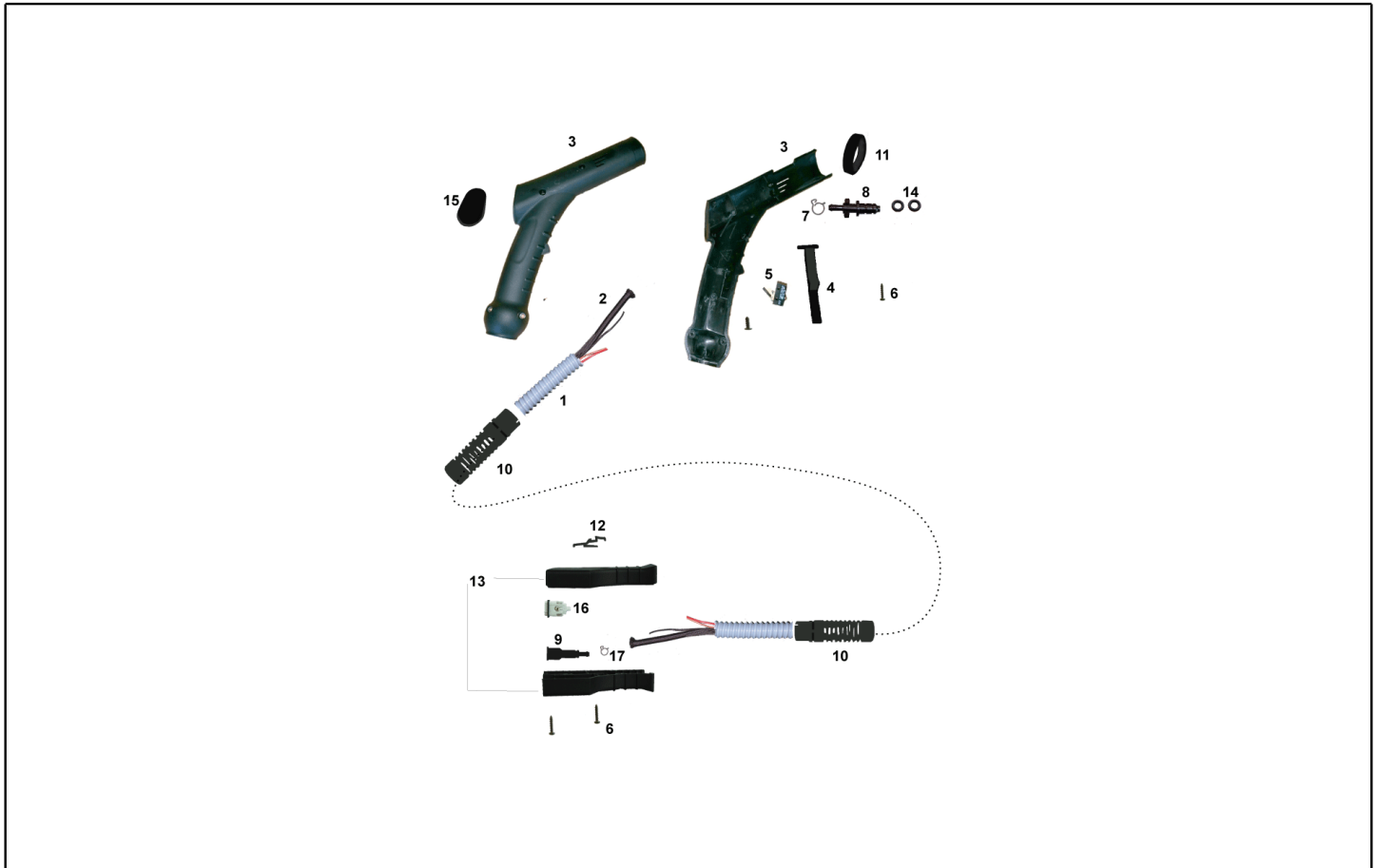
Ref. K	Part n.	Part n. 2	Description	Quantity	Validity		Price
					From	To	
0001	LAFN40956		BASE STM-SG.10/RI.INX	1,00			--
0002	LAFN40957		COVERING STM-SG.10/RI.INX	1,00			--
0003	MPVR40890		TERMINAL BOARD VAP.STI	1,00			--
0004	MECB40379		CABLE H05VVF 3X1,5 MT5 SK	1,00			--
0005	RCGR40014		TAP STEAM SG.10 1/8F-F	1,00			--
0006	MPVR40891		KNOB SG.08/10	1,00			--
0007	MECI40044		SWITCH SLX 250V 0-1 B4D	1,00			--
0008	GUGO40085		O-RING D. 120.24 X 3.53-EPD 70SH	1,00			--
0009	MEEV40018		SOLENOID VALVE 7000/6 D3 2V.230V	1,00			--
0010	MEPF40041		PRESSURE SWITCH XP 1/8G 6.0BAR	1,00			--
0011	RCVR35844		ELBOW 1/4-1/8 M/M NIK	1,00			--
0012	MECE40075		PCB STM-TR6 C/LIV.VP.	1,00		28/02/2019	--
0012	MECE40087		PCB STM-TR6 C/LIV.VP.	1,00	01/03/2019		--
0013	CDVE40036		BOILER 3.2 SG.10 230V	1,00			--
0014	MPVR40896		WATER TANK STM-SV.10	1,00			--
0015	MECB40381		WIRING SG.10	1,00			--
0016	MECE40074		DISPLAY TR6/AC-VP	1,00			--
0018	FSVR01875		CLAMP LG 32030 2.4X 95	20,00			--
0019	GUGO40084		GASKET D. 30 V.TR6 BK.	1,00			--
0020	GUVR40117		GASKET GRC	1,00			--
0021	MPVR40892		CABLE SUPPORT SG.08/10	2,00			--
0022	MEVR87965		CABLE CLAMP PG 11 SPIR. BK.	1,00			--
0023	MEVR87375		LOCKNUT PG 11 BK	1,00			--
0024	MPVR40893		HANDLE SG.08/10 M6	1,00			--
0025	RTRT40054		TURNING WHEEL D. 50 M8	4,00			--
0026	VTRS40042		WASHER D. 8.5X30X1,5 BOMB.	4,00			--
0027	VTRS00504		WASHER D. 8 ZC. UNI 6592	8,00			--
0028	ITTE40011		PROTECTION FV.10 SG.10	1,00			--
0029	VTDD00483		NUT M 8 ZIN UNI 5588	4,00			--
0030	TBBP43611		L.P. HOSE D. 4- 6 TEFLON	0,60			--
0032	MEVR40197		COWLING VP. 2pz. T.NA	1,00			--
0033	MEVR40198		DOOR VAP. T.NA.	1,00			--
0034	RCIN40038		JOINT STEAM OT. D.6+OG.	1,00			--
0035	GUGO14475		O-RING D. 9.25 X 1.78 VIT 80SH	2,00			--
0036	MEVR40199		SOCKET ILME 5P	1,00			--
0037	MEVR40091		TERM.BOARD COV. IN.PST. P/6.3	2,00			--
0038	GUVR40115		EDGE PVC "U" PSL 891/3P CMP.	1,50			--
0039	MEVR40200		CLIP TR5	1,00			--
0040	ETET41196		LABEL STM-SG.10/3 PLC	1,00			--
0041	ETET41190		LABEL SV.08	1,00			--
0042	VTVR40061		SMALL CHAIN NR.8 NIK.	1,00			--
0043	FTAC40018		WATER FILTER D.30 PG.90° PLS.	1,00			--
0044	MPVR40895		SUPPORT SV.10 A.VB.	2,00			--
0045	GUGO03497		O-RING D. 6.75 X 1.78 VIT 80SH	2,00			--



Ref. K	Part n.	Part n. 2	Description	Quantity	Validity		Price
					From	To	
0046	GUGO40086		O-RING D. 11.11 X 1.78 VIT 70SH	1,00			--
0047	PEEL40098		PUMP BY-P. 230V OT	1,00			--
0048	RCVR40192		BI-CONE CONNEC. L 1/8" M CN D.6/ 8 NIK	1,00			--
0049	RCVR40193		CONNECTOR V.TR6 NYL.	1,00			--
0050	VTRS04929		WASHER D.10 X14X1.5 AL	3,00			--
0051	LAFN40953		SUPPORT STM-SV.10	2,00			--
0052	RCVR40194		CAP STM-SV.10	1,00			--
0053	RCDS01720		CAP 1/8 M	1,00			--
0054	MPVR40897		TANK CAP STM-SG.10	1,00			--
0055	METK40016		KLIKSON F11 100°C	1,00			--
0056	METK40017		THERMOSTAT 185 °C SIC.	1,00			--
0057	METK40018		THERMOSTAT 175 °C SIC.	1,00			--
0058	TBBP89815		L.P. HOSE D. 4- 8.5 SILIC. NT.	0,70			--
0059	TBBP40117		L.P. HOSE D. 6- 9 SILIC. NT.	0,30			--
0060	TBBP41919		L.P. HOSE D. 6- 8 TEFLON	0,30			--
0061	VVSF40020		VALVE N.RT. S11 OT	1,00			--
0062	VVSC40019		VALVE SG10 G 1/8M 8 BAR	1,00			--
0063	MECI40045		SENSOR LEVEL QV6 CBL.	1,00			--
0064	MECI40046		PROBE TR6	1,00			--
0065	FTAC40019		WATER FILTER D.30 TNK. PE BK.	1,00			--
0066	LAFN40954		SUPPORT STM-SV.10 IX	1,00			--
0068	RCVR46627		BI-CONE CONNEC. DTT 1/8" M B1 D. 4/ 6 NIK	1,00			--
0069	RCVR46461		BI-CONE CONNEC. L 1/8" M B5 D. 4/ 6 NIK	2,00			--
0070	RCVR00644		REDUCTION 1/4-1/8 M/F	1,00			--
0071	RCVR40222		BRASS BUSHING D.6 MM	2,00			--
9999	IPIP40019		GRIP STI VP. + 2.5 MT	1,00			--



Ref. K	Part n.	Part n. 2	Description	Quantity	Validity		Price
					From	To	
P	MEPF40041		PRESSURE SWITCH XP 1/8G 6.0BAR	1,00			--
T	METK40018		THERMOSTAT 175 °C SIC.	1,00			--
G1	MECI40045		SENSOR LEVEL QV6 CBL.	1,00			--
G2	MECI40046		PROBE TR6	1,00			--
IG	MECI40044		SWITCH SLX 250V 0-1 B4D	1,00			--
IV	MECE40085		PCB ASP/VAP/DET	1,00			--
EC1	MECE40075		PCB STM-TR6 C/LIV.VP.	1,00		28/02/2019	--
EC1	MECE40087		PCB STM-TR6 C/LIV.VP.	1,00	01/03/2019		--
EC2	MECE40074		DISPLAY TR6/AC-VP	1,00			--
EVV	MEEV40018		SOLENOID VALVE 7000/6 D3 2V.230V	1,00			--
TS1	METK40017		THERMOSTAT 185 °C SIC.	1,00			--
TS2	METK40016		KLIKSON F11 100°C	1,00			--



Ref. K	Part n.	Part n. 2	Description	Quantity	Validity		Price
					From	To	
0001	TBFX40012		SHEATH FLEX SP.V2 MERL.	2,50			--
0002	TBBP40169		TUBE EPDM-AT 4- 8 PEROX	2,75			--
0003	MPVR41153		SHELL STI ST. 2PZ.	1,00			--
0004	MPVR41154		LEVER IMP.BK STM.	1,00			--
0005	MECI40063		MICROSWITCH DC3A-A1AA CH.	1,00			--
0006	VTVT40095		SCREW AF 4X 20 HILO ZN.N	7,00			--
0007	FSVR40022		CLAMP D. 10 CLIC 100	2,00			--
0008	RCIN40037		JOINT STEAM OT. T.NA	1,00			--
0009	RCIN40054		JOINT STEAM OT. T.NA PR.	1,00			--
0010	MPVR41155		SLEEVE FLX T.NA	2,00			--
0011	MPVR41156		RING IMP. T.NA	1,00			--
0012	MPVR41157		BUTTON T.NA	1,00			--
0013	MPVR41158		SHELL VAP. T.NA 2 PZ.	1,00			--
0014	GUGO14475		O-RING D. 9.25 X 1.78 VIT 80SH	2,00			--
0015	MPVR41159		CAP VAP. BK.	1,00			--
0016	MEVR40305		PLUG ILME 5P	1,00			--
0017	FSVR11957		CLAMP D. 9.5-12 CLIC	1,00			--