



SPARE PARTS LIST
LISTE DES PIÈCES DE RECHANGE
AUFLISTUNG DER ERSATZTEILE
LISTA DE REPUESTOS
NOMENCLATURA PEÇAS SOBRESSALENTES
NOMENCLATURA RICAMBI
LISTE OVER RESERVEDELE
LIJST VERVANGINGSONDERDELEN
RESERVELSLISTA
VARAOSALUETTELO
LISTE OVER RESERVEDELER
Λίστα ανταλλακτικῶν
ВЕДОМОСТЬ ЗАПАСНЫХ ЧАСТЕЙ



CAUTION

WARNING:

- To guarantee the safety of the unit, use only original spare parts supplied by the manufacturer.
- Flexible hoses, accessories and fittings are important for the safety of the unit. Use only flexible hoses, accessories and fittings recommended by the manufacturer.
- Repairs must be carried out by skilled personnel only.

PRÉCAUTION:

- Afin de garantir la sécurité de l'appareil, utilisez seulement les pièces détachées originales fournies par le constructeur.
- Les tuyaux flexibles, les accessoires et les raccords sont importants pour la sécurité de l'appareil. Utilisez seulement des tuyaux flexibles, des accessoires et des raccords recommandés par le constructeur.
- Confier la réparation uniquement à du personnel qualifié.

VORSICHT:

- Um die Sicherheit des Geräts zu gewährleisten, verwenden Sie nur originale Ersatzteile, die vom Hersteller geliefert werden.
- Schläuche, Zubehörteile und Anschlüsse sind für die Sicherheit des Geräts sehr wichtig. Verwenden Sie nur Schläuche, Zubehörteile und Anschlüsse, die vom Hersteller empfohlen werden.
- Reparatur nur von Fachleuten vornehmen lassen.

PRECAUCIÓN:

- Para asegurar la seguridad de la máquina, utilizar sólo repuestos originales suministrados por el fabricante.
- Mangueras, accesorios y conexiones son importantes para la seguridad del aparato. Utilizar sólo mangueras, accesorios y conexiones recomendados por el fabricante.
- La reparación es de exclusiva competencia de personal experto.

PRECAUÇÕES:

- Para garantir a segurança do aparelho, devem-se usar apenas peças sobresselentes originais fornecidas pelo construtor.
- As mangueiras, os acessórios e as uniões são importantes para a segurança do aparelho. Use somente mangueiras, acessórios e uniões recomendados pelo fabricante.
- Confie a reparação exclusivamente a pessoal especializado.

PRECAUZIONE:

- Per garantire la sicurezza dell'apparecchio, si devono usare solo ricambi originali forniti dal costruttore.
- I tubi flessibili, gli accessori e i raccordi sono importanti per la sicurezza dell'apparecchio. Usare solo tubi flessibili, accessori e raccordi raccomandati dal costruttore.
- Affidare la riparazione unicamente a personale esperto.

BEMERK:

- Omwille van een veilig gebruik dient u alleen de originele reserveonderdelen en accessoires te gebruiken.
- De buigzame buizen, de accessoires en de buisverbindingen zijn belangrijk voor de veiligheid van het toestel. Enkel buigzame buizen, accessoires en buisverbindingen gebruiken die door de fabrikant zijn goedgekeurd.
- Herstellingen enkel aan ervaren personeel toevertrouwen.

ADVARSEL:

- Af sikkerhedshensyn skal man kun anvende originalt tilbehør og originale reservedele.
- Fleksible slanger, tilbehør og koblinger er vigtige for apparatets sikkerhed.
- Anvend kun fleksible slanger, tilbehør og koblinger, som er anbefalet af fabrikanten.
- Reparationer må kun udføres af fagfolk.

OBSERVERA!

- Av säkerhetsskäl skall endast originaltillbehör och -reservdelar användas.
- Slangarna, tillbehören och kopplingarna är viktiga för apparatens säkerhet. Använd endast slangar, tillbehör och kopplingar som rekommenderas av tillverkaren.
- Låt endast behörig personal utföra reparationer.

HUOMIO:

- Turvallisuussyistä käytä vain alkuperäisiä varaosia ja lisälaitteita.
- Muovilietkut, tarvikkeet ja liitokset on koneen turvallisuuden kannalta hyvin tärkeitä. Käyttää vain valmistajan toimittamaan alkuperäiset muovilietkut, tarvikkeet ja liitokset.
- Huoltotoimenpiteet saa suorittaa vain koulutetut henkilöt.

FORSIKTIG:

- Av sikkerhetsmessige grunner skal kun originaltilbehør og komponenter anvendes.
- Fleksible rør, tilbehør og koblinger er viktige for apparatets sikkerhet. Bruk bare fleksible rør, tilbehør og koblinger som anbefales av produsenten.
- Reparasjoner må kun utføres av faglært personale.

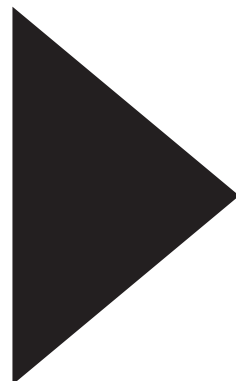
ΠΡΟΣΟΧΗ!:

- Για λόγους ασφαλείας πρέπει να χρησιμοποιείτε μονάχα αυθεντικά εξαρτήματα και ανταλλακτικά.
- τον κατασκευαστή ή εγκριμένα από αυτόν.
- Οι εύκαμπτοι σωλήνες, τα αξεσουάρ και τα ρακόρ είναι σημαντικά για την ασφάλεια της συσκευής. Χρησιμοποιήστε μόνο εγκεκριμένους σωλήνες, αξεσουάρ και ρακόρ που προτείνονται από τον κατασκευαστή.
- Αναθέστε την επισκευή αποκλειστικά σε έμπειρο προσωπικό.

Осторожно!

- По соображениям безопасности используйте только оригинальные принадлежности и запасные части.
- Шланги, дополнительные приспособления и фитинги важны для безопасности оборудования. Используйте только шланги, дополнительные приспособления и фитинги, рекомендуемые фирмой-изготовителем.
- Поручайте ремонт только опытному персоналу.

**SPARE PARTS KIT
JEU DE PIÈCES DE RECHANGE
ERSATZTEILKASTEN
KIT DE REPUESTOS
ESTOJO PEÇAS SOBRESSALENTES
KIT RICAMBI
RESERVEDELSSÆT
SET VERVANGINGSONDERDELEN
SET MED RESERVDELAR
VARAOSAT
SETT MED RESERVEDELER
Λίστα ανταλλακτικῶν
КОМПЛЕКТ ЗАПАСНЫХ ЧАСТЕЙ**



MOTORPUMPS SINGLE PHASE - MOTOPOMPE MONOFASE

TX300 10.130 - 12.100

SPARE PARTS LIST

LISTE DES PIÈCES DE RECHANGE

AUFLISTUNG DER ERSATZTEILE

LISTA DE REPUESTOS

NOMENCLATURA PEÇAS SOBRESSALENTES

NOMENCLATURA RICAMBI

LISTE OVER RESERVEDELE

LIJST VERVANGINGSONDERDELEN

RESERVEDELSLISTA

VARAOSALUETTELO

LISTE OVER RESERVEDELER

Λίστα ανταλλακτικών

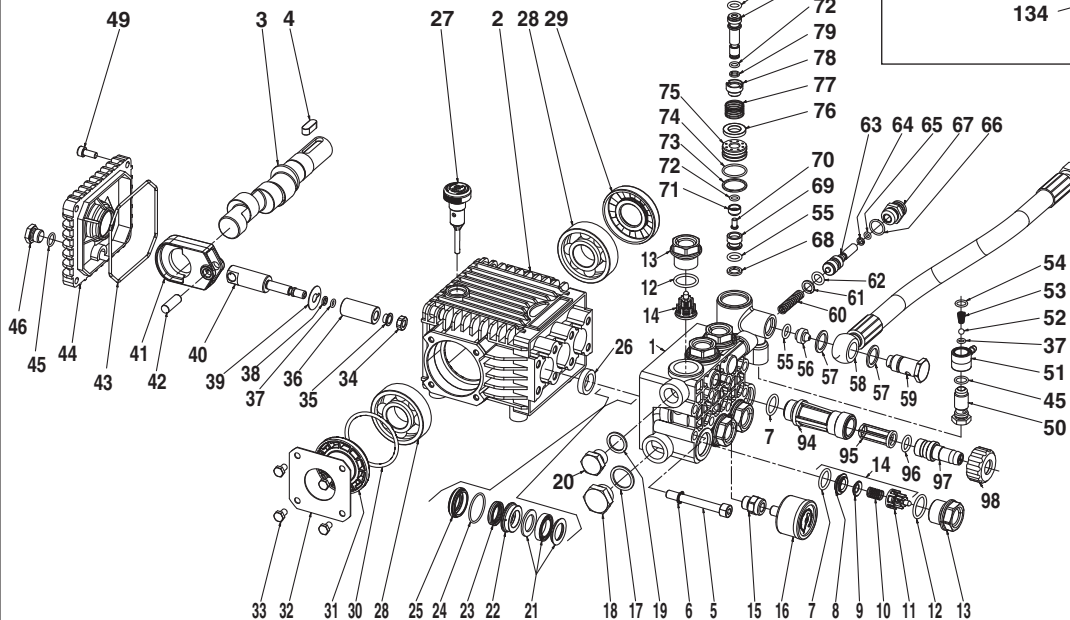
ВЕДОМОСТЬ ЗАПАСНЫХ ЧАСТЕЙ

POS.	CODE CODICE	N. PCS.	POS.	CODE CODICE	N. PCS.	POS.	CODE CODICE	N. PCS.
1	63.1205.41 - 12.100	1	50	36.2563.70	1	104	10.0277.22	1
	63.1202.41 - 10.130	1	51	36.2604.51	1	105	99.3017.00	2
2	63.0100.22	1	52	97.4782.00	1	106	10.0278.22	1
3	63.0212.65 - 12.100	1	53	94.8217.00	1	107	10.0090.47	6
	63.0216.65 - 10.130	1	54	90.3582.00	1	108	23.0208.74	1
4	91.4875.00	1	55	90.3823.00	2	109	99.3088.00	4
5	99.3192.00	8	56	10.0437.66 - 10.130	1	110	96.7072.00	5
6	96.7014.00	8		10.0307.66 - 12.100	1	111	99.3116.00	1
7	90.3841.00	7	57	93.1858.00	2	112	92.2250.00	4
8	36.2003.66	6	58	23.0222.01	1	113	99.1955.00	2
9	36.2001.76	6	59	23.5024.70	1	114	96.6962.00	2
10	94.7376.00	6	60	94.7341.00	1	115	23.0144.47	2
11	36.2025.51	6	61	90.5052.00	2	116	23.0213.51	1
12	90.3847.00	6	62	90.3819.00	2	117	23.0214.51	1
13	98.2226.00	6	63	10.0612.70	1	118	99.1580.00	7
14	36.7115.01	6	64	90.5020.00	1	119	90.3837.00	1
15	23.0212.70	1	65	90.3570.00	1	120	23.0219.51	1
16	94.5824.00	1	66	90.3591.00	1	121	23.0217.51	1
17	96.7514.00	1	67	10.0613.70	1	122	23.0218.66	1
18	98.2176.00	1	68	90.5065.00	1	123	10.0686.96	1
19	96.7380.00	1	69	36.3164.66	1	124	23.0220.51	2
20	98.2100.00	1	70	99.1509.00	1	125	92.8022.00	4
21	90.2654.00 - 12.100	3	71	36.3190.66	1	126	10.0695.98	1
	90.2612.00 - 10.130	3	72	90.3576.00	2	127	10.0694.98	1
22	63.2161.70 - 12.100	3	73	90.5144.00	1	128	23.0216.51	1
	63.2160.70 - 10.130	3	74	90.3600.00	1	129	23.0215.51	1
23	90.2650.00 - 12.100	3	75	36.3229.70	1	130	23.0211.82	1
	90.2608.00 - 10.130	3	76	36.3231.51	1	131	99.1537.00	4
24	90.3608.00	3	77	94.7485.00	1	132	93.5415.00	2
25	63.0801.70 - 12.100	3	78	36.3230.70	1	133	99.0658.00	1
	63.0800.70 - 10.130	3	79	90.5025.00	1	134	10.7269.01	1
26	90.1595.00	3	80	36.3234.70	1	135	99.1274.00	1
27	98.2103.00	1	81	90.3857.00	1	136	96.6913.00	1
28	91.8331.00	2	82	36.3228.70	1	137	93.5228.00	1
29	90.1641.00	1	83	36.3233.70	1	138	92.2700.00	1
30	90.4097.00	1	84	94.7345.00	1	139	43.2103.47	1
31	44.2118.01	1	85	94.7436.00	1	140	43.2100.47	1
32	50.1500.74	1	86	36.3169.70	1	141	10.7375.01	1
33	99.1807.00	4	87	36.3185.70	1	142	92.9740.00	1
34	92.2216.00	3	88	90.3598.00	1	143	90.3817.00	1
35	44.2115.70	3	89	99.3054.00	1	144	10.0610.51	1
36	44.0401.09 - 12.100	3	90	92.2218.00	1	145	10.0611.66	1
	52.0400.09 - 10.130	3	91	92.2935.00	1	146	90.3885.00	1
37	90.3573.00	4	92	36.3186.70	1	147	99.0650.00	4
38	90.5022.00	3	93	36.3187.51	1	148	90.3578.00	1
39	96.7075.00	3	94	36.3182.51	1	149	10.7412.01	1
40	63.0500.66	3	95	92.8925.00	1	150	93.6352.00	1
41	63.0300.22	3	96	90.3828.00	1	151	93.6432.00	1
42	97.7335.00	3	97	36.2569.51	1	152	10.6084.01	1
43	90.3920.00	1	98	92.9828.00	1	153	93.5795.00	1
44	63.1601.22	1	100	95.0500.00	1	154	90.3889.00	2
45	90.3585.00	2	101	10.0685.22	1	155	93.5648.00	1
46	98.2041.00	1	102	99.3039.00	4	156	10.7232.01	2
49	99.1837.00	4	103	99.1854.00	4	157	93.5632.00	1

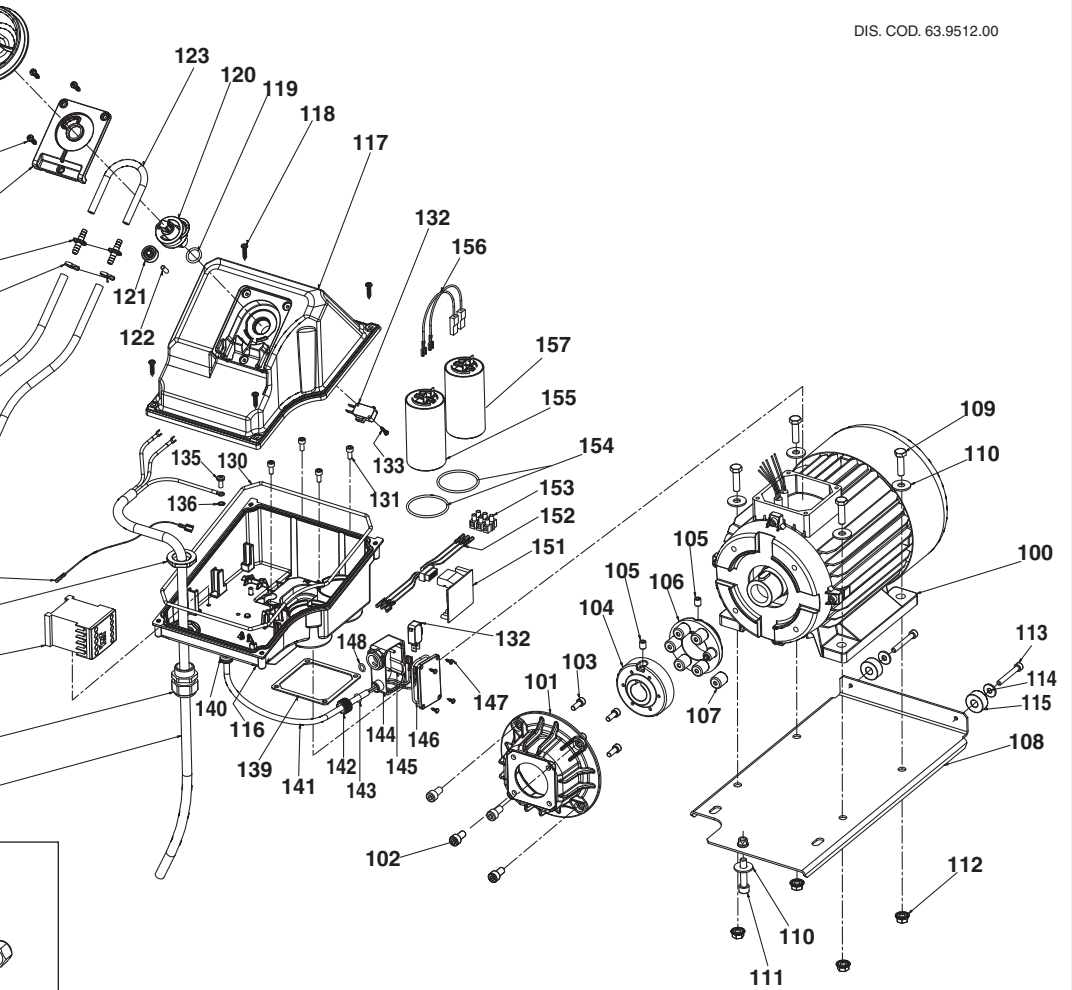
KITS	TX300				
	KIT N.	KIT 123	KIT 124	KIT 159	KIT 137
Positions Included	7 - 8 - 9 10 - 11 (14)	12 - 13	26	55 - 61 - 62 68 - 69 - 70 71 - 72 - 73 74 - 75 - 76 77 - 78 - 79 80	
N. pcs.	6	6	3	1	

KITS	TX300 10.130 PISTON - PISTONE Ø 15				
	KIT N.	KIT 160	KIT 162	KIT 164	KIT 166
Positions Included	21 - 23	25	22	21 - 22 23 - 24 25	
N. pcs.	3	3	3	1	

KITS	TX300 12.100 PISTON - PISTONE Ø 18				
	KIT N.	KIT 161	KIT 163	KIT 165	KIT 167
Positions Included	21 - 23	25	22	21 - 22 23 - 24 25	
N. pcs.	3	3	3	1	



DIS. COD. 63.9511.00



MOTORPUMPS THREE PHASE - MOTOPOMPE TRIFASE

TX300 13.160 - 14.180

SPARE PARTS LIST

LISTE DES PIÈCES DE RECHANGE

AUFLISTUNG DER ERSATZTEILE

LISTA DE REPUESTOS

NOMENCLATURA PEÇAS SOBRESSALENTES

NOMENCLATURA RICAMBI

LISTE OVER RESERVEDELE

LIJST VERVANGINGSONDERDELEN

RESERVEDELSLISTA

VARAOSALUETTELO

LISTE OVER RESERVEDELER

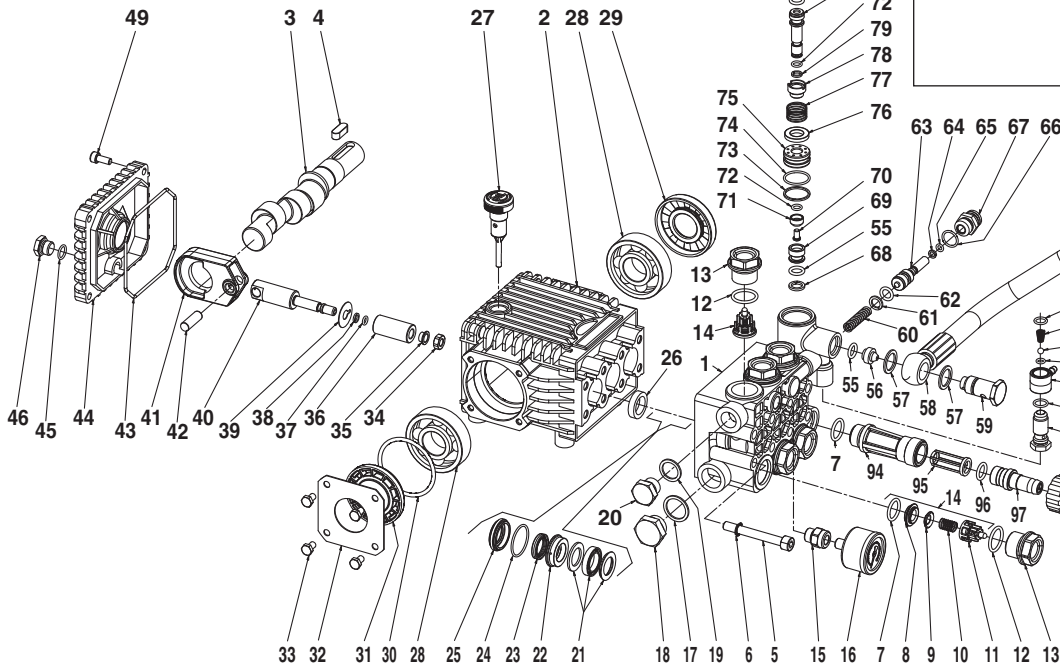
Λίστα ανταλλακτικών

ВЕДОМОСТЬ ЗАПАСНЫХ ЧАСТЕЙ

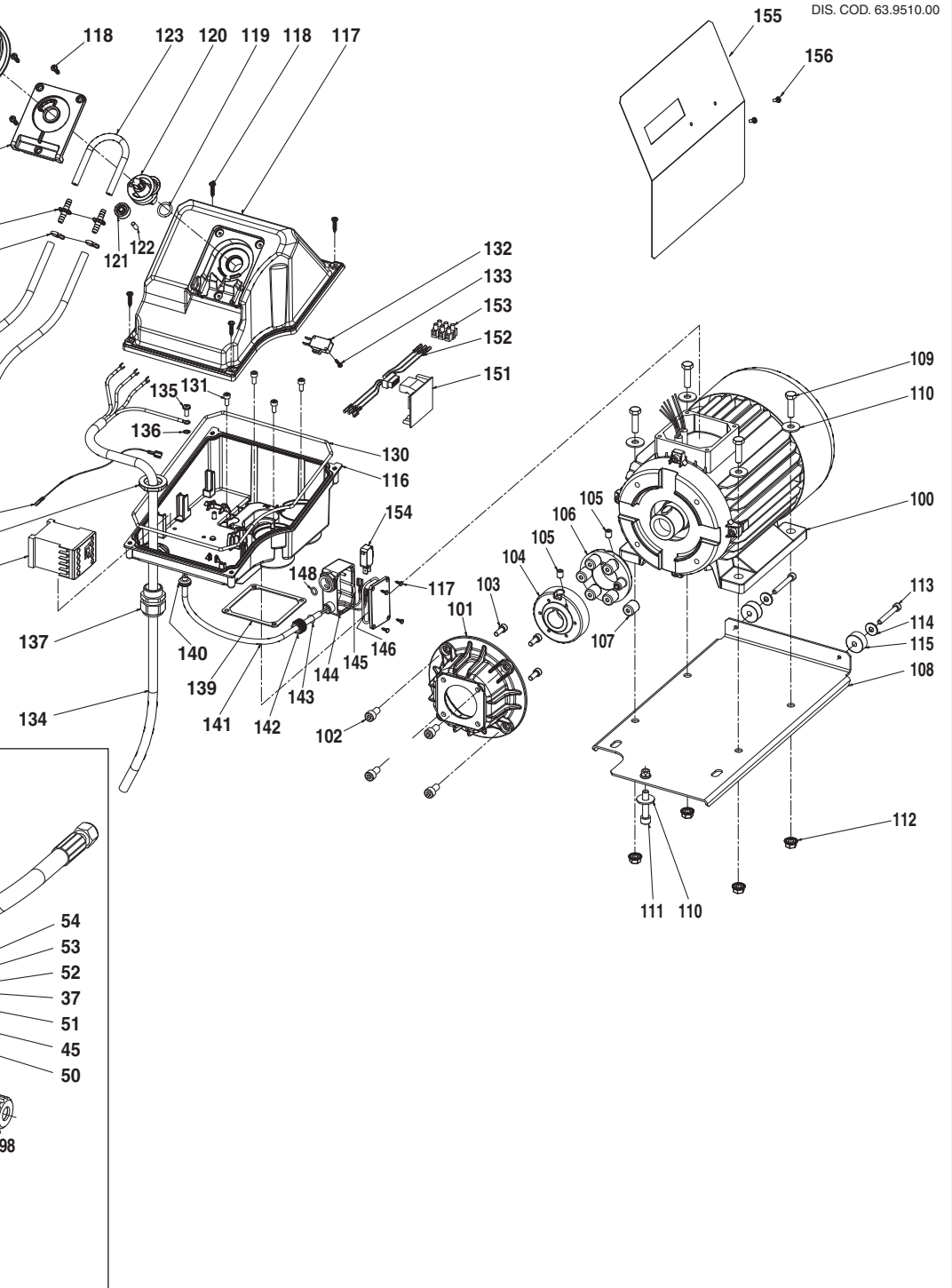
POS.	CODE CODICE	N. PCS.	POS.	CODE CODICE	N. PCS.	POS.	CODE CODICE	N. PCS.
1	63.1205.41	1	55	90.3823.00	1	108	23.0208.74	1
2	63.0100.22	1	56	10.0307.66	2	109	99.3088.00	4
3	63.0216.65 - 13.160 63.0218.65 - 14.180	1	57	96.7365.00	1	110	96.7072.00	5
4	91.4875.00	1	58	23.0222.01	1	111	99.3116.00	1
5	99.3192.00	8	59	23.5024.70	1	112	92.2250.00	4
6	96.7014.00	8	60	94.7341.00	2	113	99.1955.00	1
7	90.3841.00	7	61	90.5025.00	2	114	96.6962.00	2
8	36.2003.66	6	62	90.3819.00	1	115	23.0144.47	2
9	36.2001.76	6	63	10.0612.70	1	116	23.0213.51	1
10	94.7376.00	6	64	90.5020.00	1	117	23.0214.51	1
11	36.2025.51	6	65	90.3570.00	1	118	99.1580.00	7
12	90.3847.00	6	66	90.3591.00	1	119	90.3837.00	1
13	98.2226.00	6	67	10.0613.70	1	120	23.0219.51	1
14	36.7115.01	6	68	90.5065.00	1	121	23.0217.51	1
15	23.0212.70	1	69	36.3164.66	1	122	23.0218.66	1
16	94.5824.00	1	70	99.1509.00	1	123	10.0686.96	1
17	96.7514.00	1	71	36.3190.66	2	124	23.0220.51	2
18	98.2176.00	1	72	90.3576.00	1	125	92.8022.00	4
19	96.7380.00	1	73	90.5144.00	1	126	10.0695.98	1
20	98.2100.00	1	74	90.3600.00	1	127	10.0694.98	1
21	90.2654.00	3	75	36.3229.70	1	128	23.0216.51	1
22	63.2161.70	3	76	36.3231.51	1	129	23.0215.51	1
23	90.2608.00	3	77	94.7485.00	1	130	23.0211.82	1
24	90.3608.00	3	78	36.3230.70	1	131	99.1537.00	4
25	63.0801.70	3	79	90.5025.00	1	132	93.5420.00	1
26	90.1595.00	3	80	36.3234.70	1	133	99.0658.00	1
27	98.2103.00	1	81	90.3857.00	1	134	10.7273.01	1
28	91.8331.00	2	82	36.3228.70	1	135	99.1274.00	1
29	90.1641.00	1	83	36.3233.70	1	136	96.6913.00	1
30	90.4097.00	1	84	94.7345.00	1	137	93.5228.00	1
31	44.2118.01	1	85	94.7436.00	1	138	92.2700.00	1
32	50.1500.74	1	86	36.3169.70	1	139	43.2103.47	1
33	99.1807.00	4	87	36.3185.70	1	140	43.2100.47	1
34	92.2216.00	3	88	90.3598.00	1	141	10.7375.01	1
35	44.2115.70	3	89	99.3054.00	1	142	92.9740.00	1
36	44.0401.09	3	90	92.2218.00	1	143	90.3817.00	1
37	90.3573.00	4	91	92.2935.00	1	144	10.0610.51	1
38	90.5022.00	3	92	36.3186.70	1	145	10.0611.66	1
39	96.7075.00	3	93	36.3187.51	1	146	90.3885.00	1
40	63.0500.66	3	94	36.3182.51	1	147	99.0650.00	4
41	63.0300.22	3	95	92.8925.00	1	148	90.3578.00	1
42	97.7335.00	3	96	90.3828.00	1	149	10.7412.01	1
43	90.3920.00	1	97	36.2569.51	1	150	93.6350.00	1
44	63.1601.22	1	98	92.9828.00	1	151	93.6417.00	1
45	90.3585.00	2	100	95.0550.00 - 13.160 95.0580.00 - 14.180	1	152	10.6084.01	1
46	98.2041.00	1	101	10.0685.22	1	153	93.5795.00	1
49	99.1837.00	4	102	99.3039.00	4	154	93.5415.00	1
50	36.2563.70	1	103	99.1854.00	4	155	23.0275.74	2
51	36.2604.51	1	104	10.0277.22	1	156	99.0725.00	1
52	97.4782.00	1	105	99.3017.00	2			
53	94.8217.00	1	106	10.0278.22	1			
54	90.3582.00	2	107	10.0090.47	6			

KITS	TX300			
	KIT 123	KIT 124	KIT 159	KIT 137
Positions Included	7 - 8 - 9 10 - 11 (14)	12 - 13	26	55 - 61 - 62 68 - 69 - 70 71 - 72 - 73 74 - 75 - 76 77 - 78 - 79 80
Posizioni Include				
N. pcs.	6	6	3	1

KITS	TX300	13.160	14.180	PISTON - PISTONE Ø 18	
		KIT 161	KIT 163	KIT 165	KIT 167
Positions Included		21 - 23	25	22	21 - 22 23 - 24 25
Posizioni Include					
N. pcs.		3	3	3	1



DIS. COD. 63.9511.00



MOTORPUMPS THREE PHASE TX500 MOTOPOMPE TRIFASE

15.200 15.250 18.170 21.150 21.200

SPARE PARTS LIST

LISTE DES PIÈCES DE RECHANGE

AUFLISTUNG DER ERSATZTEILE

LISTA DE REPUESTOS

NOMENCLATURA PEÇAS SOBRESSALENTES

NOMENCLATURA RICAMBI

LISTE OVER RESERVEDELE

LIJST VERVANGINGSONDERDELEN

RESERVEDELSLISTA

VARAOSALUETTELO

LISTE OVER RESERVEDELER

Λίστα ανταλλακτικών

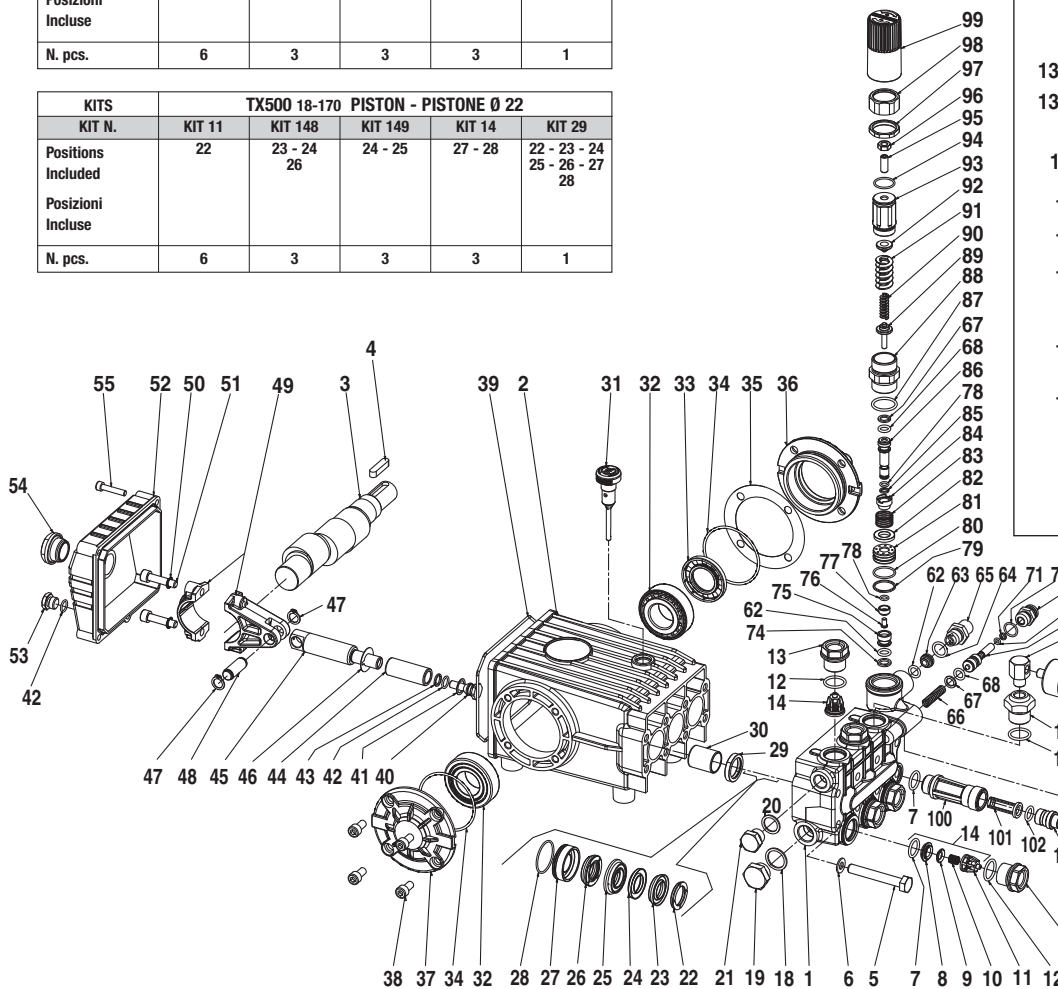
ВЕДОМОСТЬ ЗАПАСНЫХ ЧАСТЕЙ

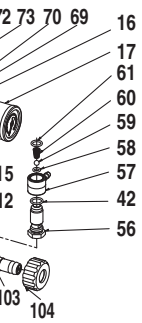
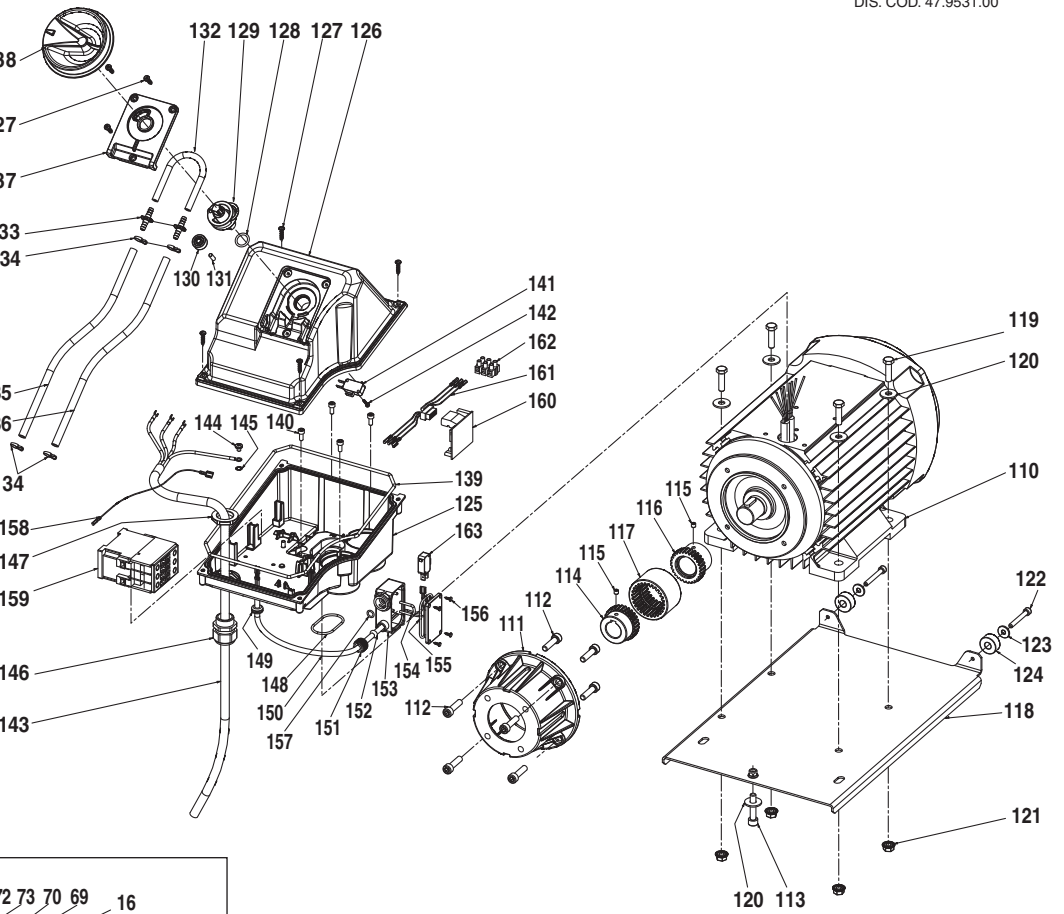
POS.	CODE CODICE	N. PCS.	POS.	CODE CODICE	N. PCS.	POS.	CODE CODICE	N. PCS.
1	47.1221.41	1	50	96.7014.00	6	112	99.3084.00	8
2	47.0100.22	1	51	99.3099.00	6	113	99.3116.00	1
3	47.0218.35-15.200-15.250-18.170 47.0217.35 - 21.150-21.200	1	52	47.1601.22	3	114	10.0681.64	1
4	91.4892.00	1	53	98.2041.00	3	115	99.1790.00	2
5	99.3206.00	8	54	97.5968.00	3	116	10.0682.64	1
6	96.7020.00	8	55	99.1912.00	5	117	10.0683.51	1
7	90.3841.00	7	56	36.2563.70	1	118	23.0206.74	1
8	36.2003.66	6	57	36.2604.51	1	119	99.3088.00	4
9	36.2001.76	6	58	90.3573.00	1	120	96.7072.00	5
10	94.7376.00	6	59	97.4782.00	1	121	92.2250.00	4
11	36.2002.51	6	60	94.8217.00	1	122	99.1955.00	2
12	90.3847.00	6	61	90.3582.00	1	123	96.6962.00	2
13	98.2224.00	5	62	90.3823.00	2	124	23.0144.47	2
14	36.7032.01	6	63	10.0696.66	1	125	23.0213.51	1
15	98.2231.00	1	64	90.3833.00	1	126	23.0214.51	1
16	10.0684.70	1	65	10.0078.70	1	127	99.1580.00	7
17	94.5424.00	1	66	94.7341.00	1	128	90.3837.00	1
18	96.7514.00	1	67	90.5052.00	2	129	23.0219.51	1
19	98.2176.00	1	68	90.3819.00	2	130	23.0217.51	1
20	96.7380.00	1	69	10.0612.70	1	131	23.0218.66	1
21	98.2100.00	1	70	90.3570.00	1	132	10.0686.96	1
22	47.1000.51 - Ø 20 46.1000.51 - Ø 22	3	71	90.5020.00	1	133	23.0220.51	2
23	90.2705.00 - Ø 20 90.2725.00 - Ø 22	3	72	90.3591.00	1	134	92.8022.00	4
24	90.2704.00 - Ø 20 90.2730.00 - Ø 22	3	73	10.0613.70	1	135	10.0695.98	1
25	47.2169.70 - Ø 20 47.2170.70 - Ø 22	3	74	90.5065.00	1	136	10.0694.98	1
26	90.2710.00 - Ø 22 90.2728.00 - Ø 22	3	75	36.3164.66	1	137	23.0216.51	1
27	47.0805.70 - Ø 20 47.0806.70 - Ø 22	3	76	99.1509.00	1	138	23.0215.51	1
28	90.3616.00	3	77	36.3190.66	1	139	23.0211.82	1
29	90.1625.00	3	78	90.3576.00	2	140	99.1537.00	4
30	90.9126.00	3	79	90.5144.00	1	141	93.5420.00	1
31	98.2106.00	1	80	90.3600.00	1	142	99.0658.00	1
32	91.8375.00-15.200-18.170-21.150-21.200 91.9370.00 - 15.250	2	81	36.3229.70	1	143	10.7273.01	1
33	90.1648.00	1	82	36.3231.51	1	144	99.1508.00	1
34	90.3913.00	2	83	94.7485.00	1	145	96.6913.00	1
35	97.5678.00	1	84	36.3230.70	1	146	93.5228.00	1
36	47.1510.22	1	85	90.5025.00	1	147	92.2700.00	1
37	47.1511.22	1	86	36.3234.70	1	148	90.4071.00	1
38	99.3039.00	4	87	90.3857.00	1	149	43.2100.47	1
39	90.3922.00	1	88	36.3332.70	1	150	10.7375.01	1
40	47.2195.66	3	89	36.3233.70	1	151	92.9740.00	1
41	96.7280.00	3	90	94.7345.00	1	152	90.3817.00	1
42	90.3585.00	5	91	94.7438.00	1	153	10.0610.51	1
43	90.5067.00	3	92	36.3169.70	1	154	10.5111.66	1
44	47.0404.09 - Ø 20 47.0405.09 - Ø 22	3	93	36.3185.70	1	155	90.3885.00	1
45	47.0504.66	3	94	90.3598.00	1	156	99.0650.00	4
46	96.7286.00	3	95	99.3054.00	1	157	90.3578.00	1
47	90.0557.00	6	96	92.2218.00	1	158	10.7412.01	1
48	97.7380.00	3	97	92.2935.00	1	159	93.6360.00-15.200-18.170-21.150 93.6370.00 - 15.250-21.200	1
49	47.0300.01	3	98	36.3186.70	1	160	93.6417.00	1
			99	36.3187.51	1	161	10.6084.01	1
			100	36.3182.51	1	162	93.5795.00	1
			101	92.8925.00	1	163	93.5415.00	1
			102	90.3828.00	1			
			103	36.2569.51	1			
			104	92.9828.00	1			
			110	95.0610.00-15.200-18.170-21.150 95.0650.00 - 15.250-21.200	1			
			111	10.0678.22	1			

KITS	TX500						
	KIT N.	KIT 1	KIT 2	KIT 3	KIT 5	KIT 6	KIT 137
Positions Included	7 - 8 - 9 10 - 11 (14)	29	33	12 - 13	40 - 41 - 42 43 - 46	55 - 61 - 62 68 - 69 - 70 71 - 72 - 73 74 - 75 - 76 77 - 78 - 79 80	
Posizioni Incluse							
N. pcs.	6	3	2	6	3	1	

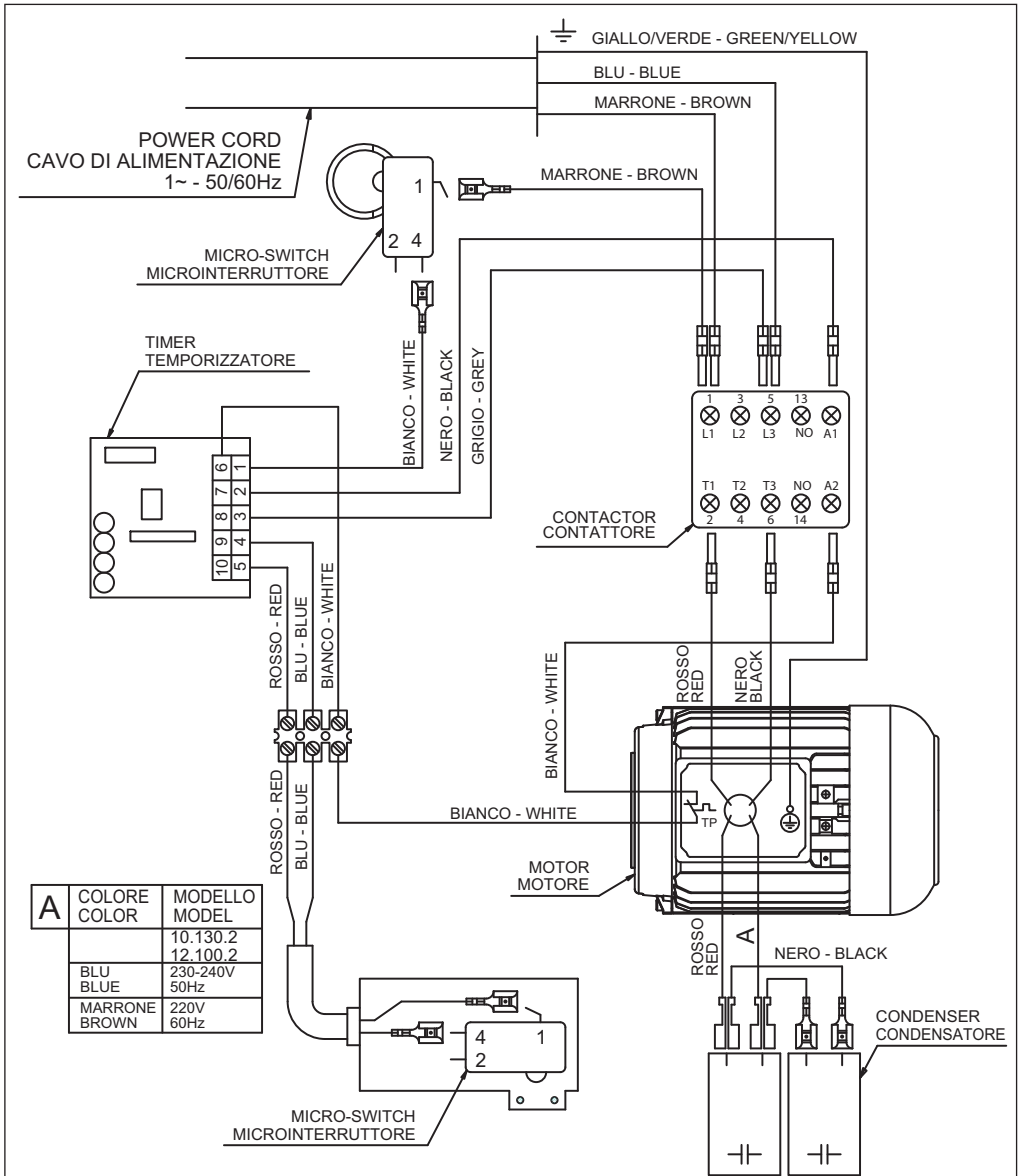
KITS	TX500 15.200					15.250		21.150		PISTON - PISTONE Ø 20	
	KIT N.	KIT 7	KIT 69	KIT 71	KIT 10	KIT 28	KIT 28	KIT 28	KIT 28	KIT 28	KIT 28
Positions Included	22	23 - 24 26	24 - 25	27 - 28	22 - 23 - 24 25 - 26 - 27 28						
Posizioni Incluse											
N. pcs.	6	3	3	3	1						

KITS	TX500 18-170				PISTON - PISTONE Ø 22	
	KIT N.	KIT 11	KIT 148	KIT 149	KIT 14	KIT 29
Positions Included	22	23 - 24 26	24 - 25	27 - 28	22 - 23 - 24 25 - 26 - 27 28	
Posizioni Incluse						
N. pcs.	6	3	3	3	1	





2 13

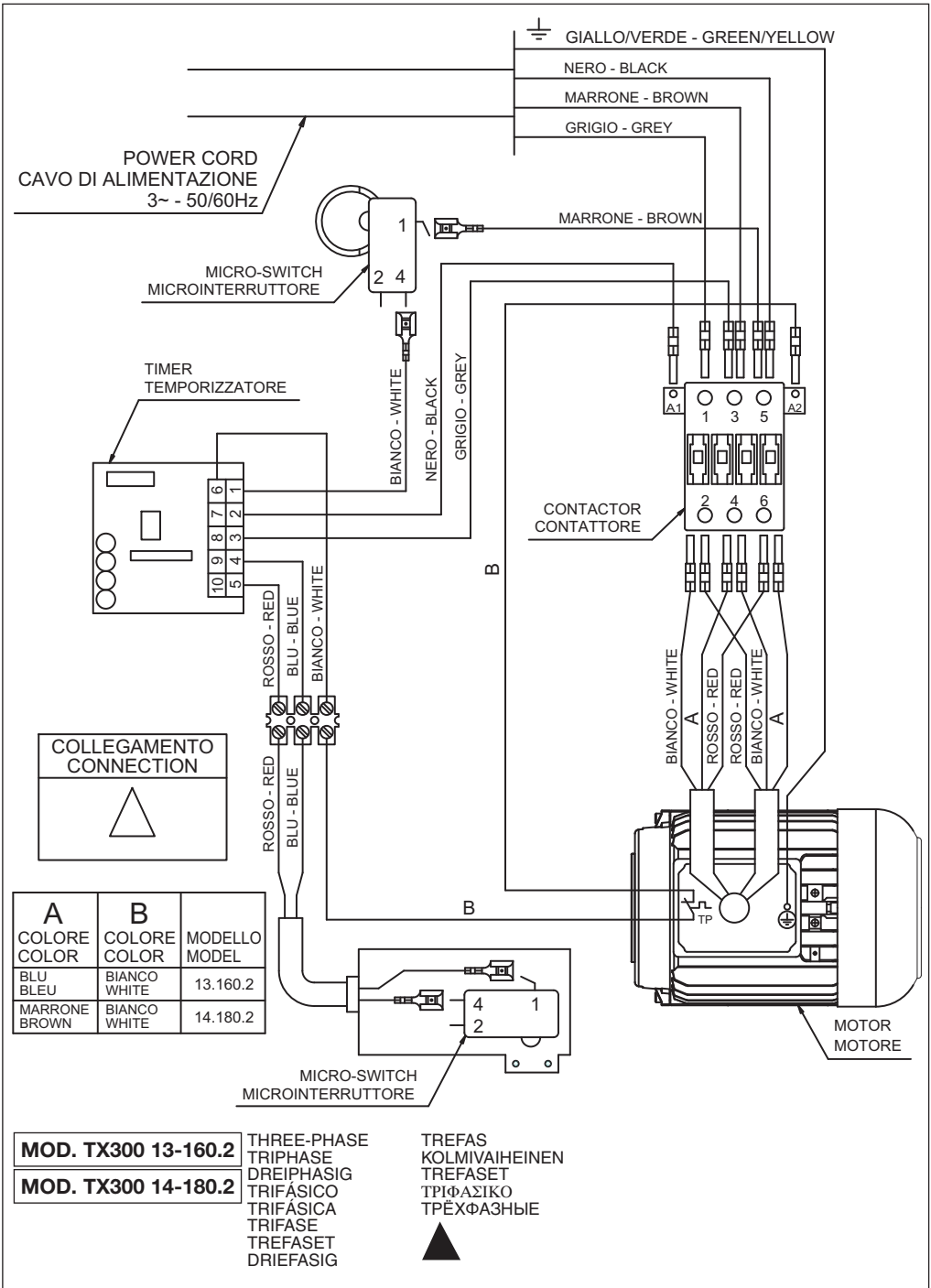


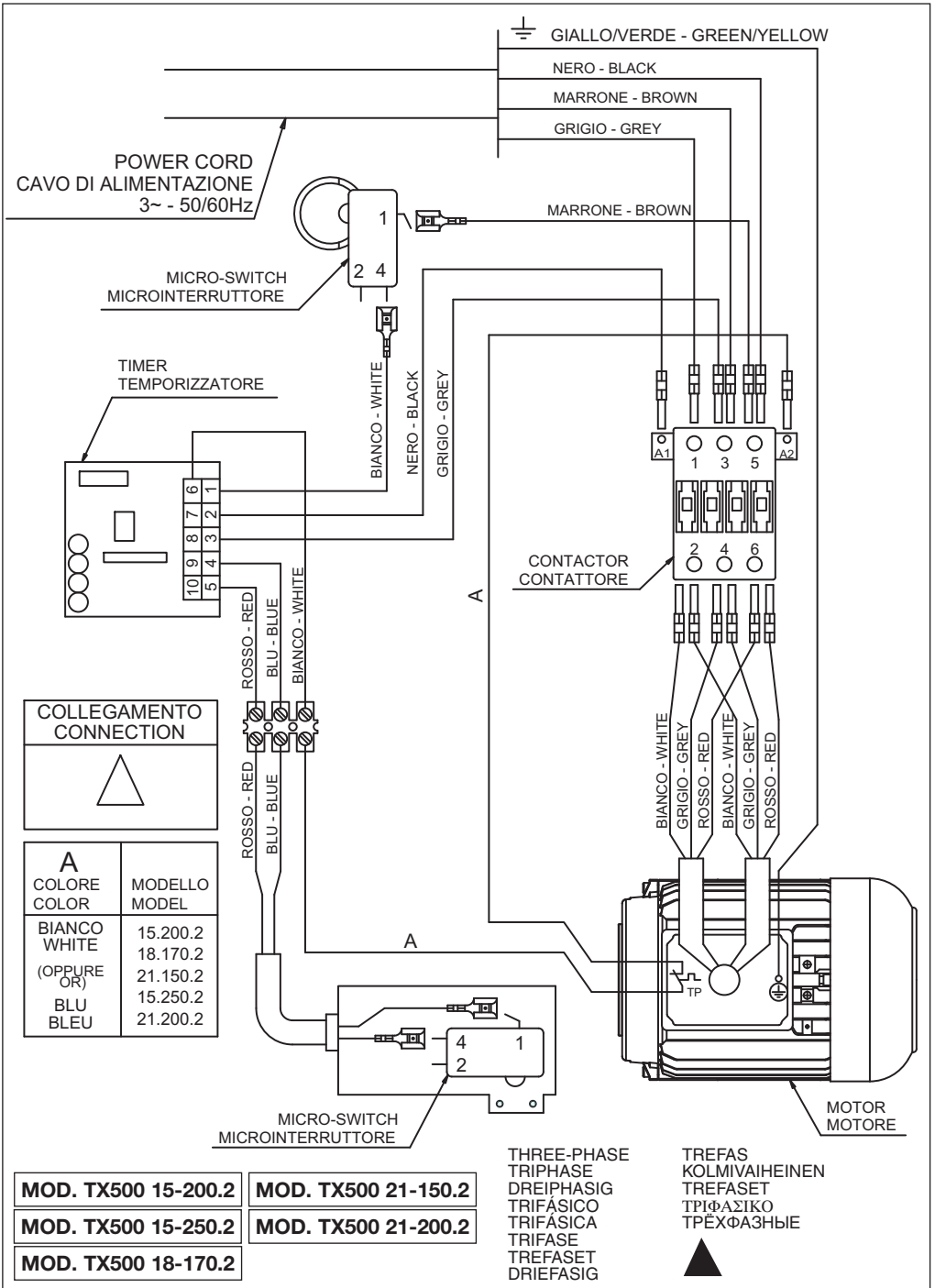
A	COLORE COLOR	MODELLO MODEL
		10.130.2
		12.100.2
	BLU BLUE	230-240V 50Hz
	MARRONE BROWN	220V 60Hz

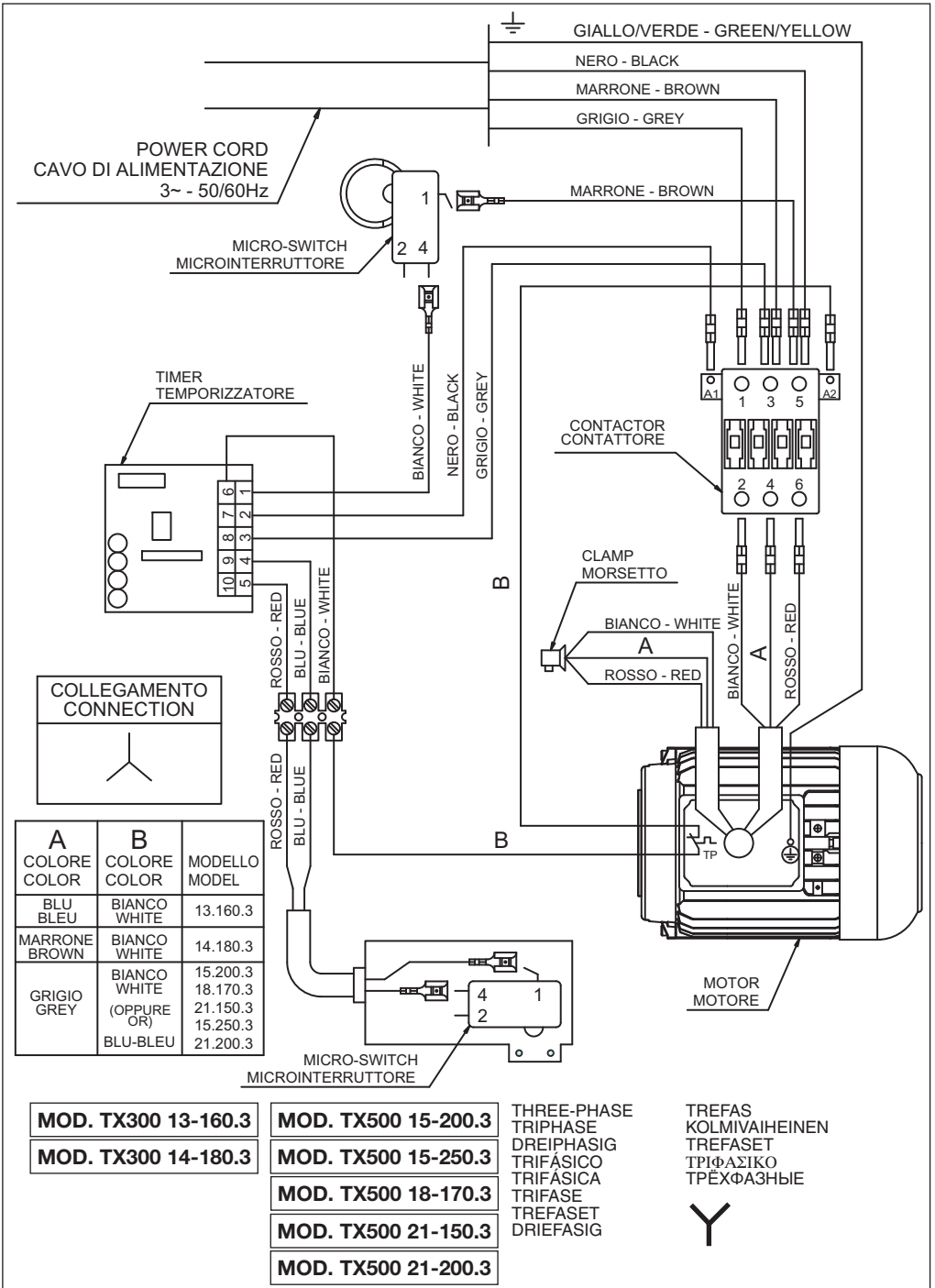
MOD. TX300 12-100.2

MOD. TX300 10-130.2

- | | |
|--------------|---------------|
| SINGLE-PHASE | EENFASIG |
| MONOPHASE | ENFAS |
| EINPHASIG | YKSIVAIHEINEN |
| MONOFÁSICO | ENFASET |
| MONOFÁSICA | ΜΟΝΟΦΑΣΙΚΟ |
| MONOFASE | ОДНОΦАЗНАЯ |
| ENFASET | |



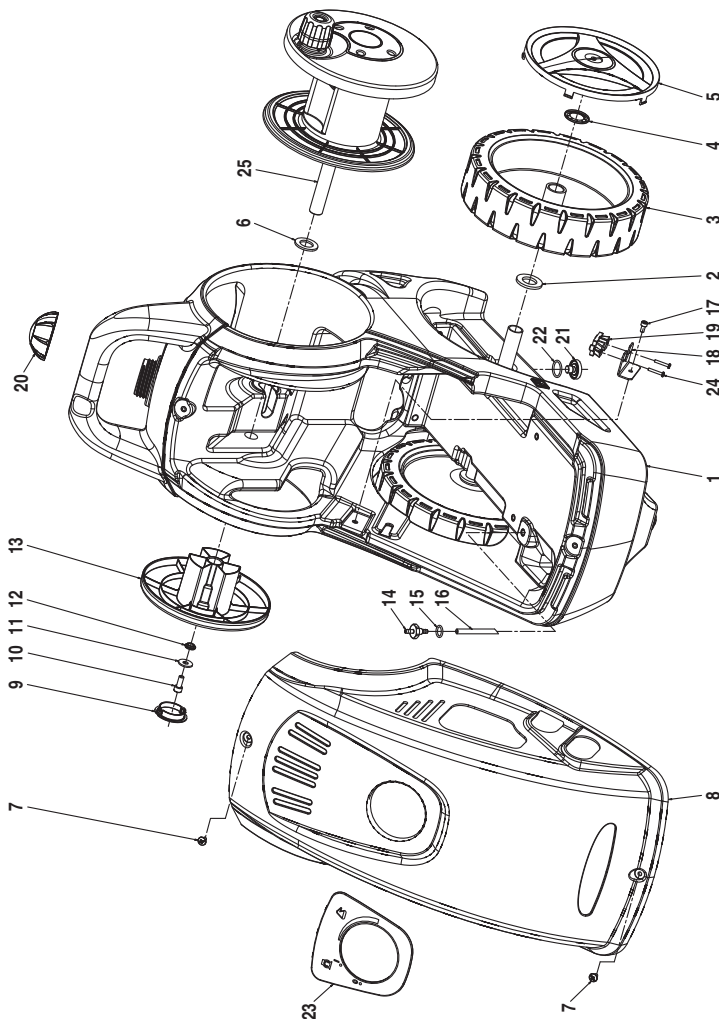




TROLLEY - CARRELLO

TX300 10.130 - 12.100 - 13.160 - 14.180

- SPARE PARTS LIST
- LISTE DES PIÈCES DE RECHANGE
- AUFLISTUNG DER ERSATZTEILE
- LISTA DE REPUESTOS
- NOMENCLATURA PECAS SOBRESSALENTES
- NOMENCLATURA RICAMBI
- LISTE OVER RESERVEDELE
- LIJST VERVANGINGSONDERDELEN
- RESERVEDELSLISTA
- VAROASALUETTELO
- LISTE OVER RESERVEDELER
- Листа запчастей
- ВЕДОМОСТЬ ЗАПАСНЫХ ЧАСТЕЙ



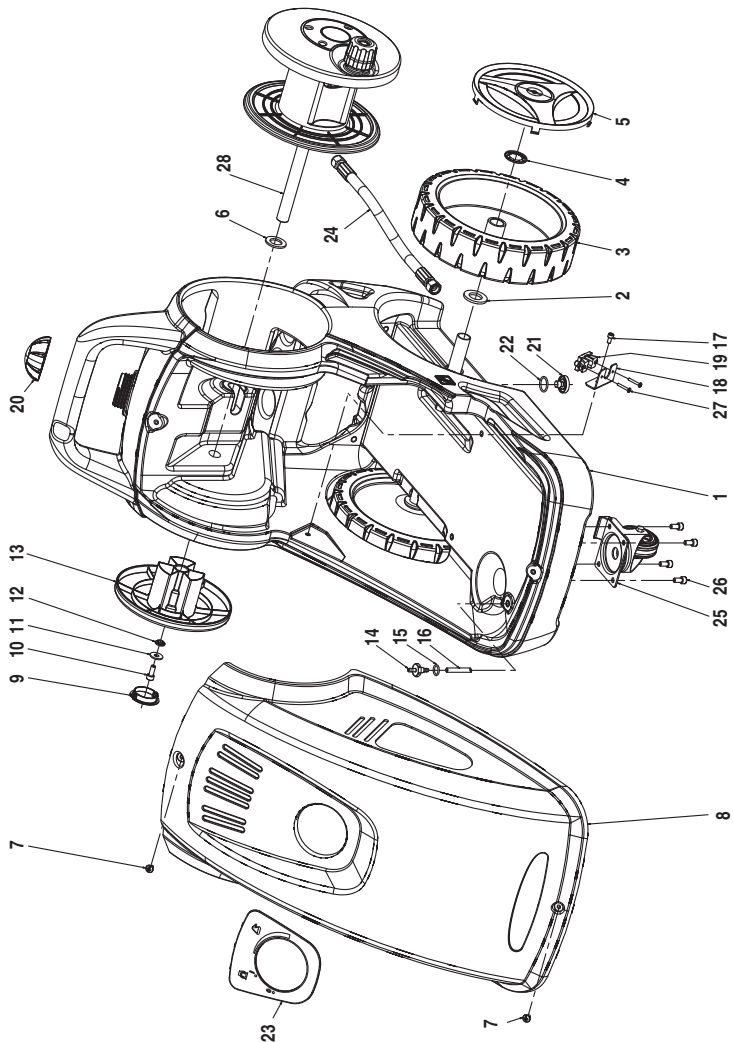
DIS. COD. 23.9541.00

POS.	CODE CODICE	N. PCS.
1	23.0209.02	1
2	96.7600.00	2
3	96.9360.00	2
4	90.0636.00	2
5	23.0250.51	2
6	96.7580.00	1
7	99.1815.00	2
8	23.0240.51	1
9	23.0203.51	1
10	99.3059.00	1
11	96.7072.00	1
12	45.2125.70	1
13	23.0202.51	1
14	23.0205.70	1
15	90.3835.00	1
16	10.0689.98	1
17	99.1835.00	1
18	23.0207.74	1
19	93.5230.00	1
20	23.0204.51	1
21	98.2020.00	1
22	90.3855.00	1
23	98.2916.00	1
24	99.1332.00	2
25	23.9533.00	1

TROLLEY - CARRELLO

TX500 15.200 18.170 21.150 15.250 21.200

- SPARE PARTS LIST
- LISTE DES PIÈCES DE RECHANGE
- AUFLISTUNG DER ERSATZTEILE
- LISTA DE REPUESTOS
- NOMENCLATURA PECAS SOBRESSALENTES
- NOMENCLATURA RICAMBI
- LISTE OVER RESERVEDELE
- LIJST VERVANGINGSONDERDELEN
- RESERVELISTIA
- VAROASALUETTELO
- LISTE OVER RESERVEDELER
- Листа ытталыктары
- ВЕДОМОСТЬ ЗАПАСНЫХ ЧАСТЕЙ

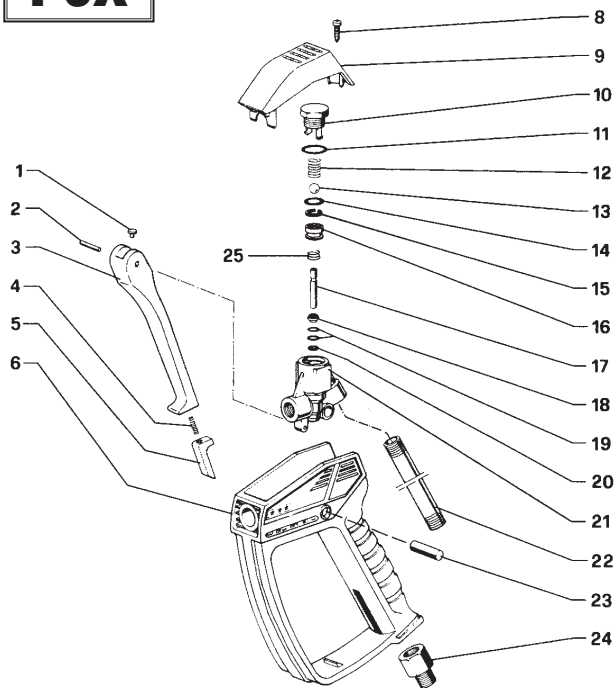


DIS. COD. 23.9540.00

POS.	CODE CODICE	N. PCS.
1	23.0200.02	1
2	96.7600.00	2
3	96.9360.00	2
4	90.0636.00	2
5	23.0250.51	2
6	96.7580.00	1
7	99.1815.00	2
8	23.0230.51	1
9	23.0203.51	1
10	99.3059.00	1
11	96.7072.00	1
12	45.2125.70	1
13	23.0202.51	1
14	23.0205.70	1
15	90.3835.00	1
16	10.0688.98	1
17	99.1835.00	1
18	23.0207.74	1
19	93.5230.00	1
20	23.0204.51	1
21	98.2020.00	1
22	90.3855.00	1
23	98.2916.00	1
24	23.0223.01	1
25	96.9400.00	1
26	99.3039.00	4
27	99.1332.00	2
28	23.9523.00	1

ACCESSORIES - ACCESSORI (TX300 - TX500 SERIES)

P3X

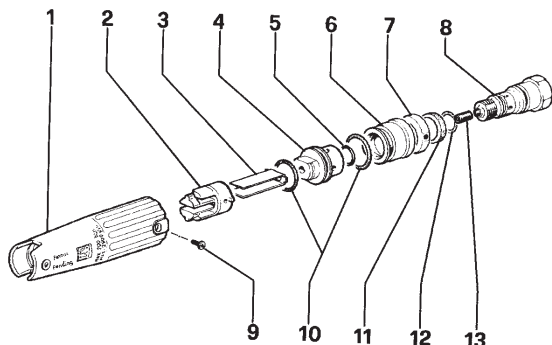


POS.	CODE CODICE	N. PCS.
1	18.2082.64	1
2	97.6143.00	1
3	18.2079.51	1
4	94.7303.00	1
5	18.2050.51	1
6	18.2080.51	1
8	99.0845.00	1
9	18.2081.51	1
10	18.2075.70	1
11	90.3593.00	1
12	94.7342.00	1
13	97.4810.00	1
14	90.3585.00	1
15	90.5068.00	1
16	18.2074.66	1
17	18.2076.66	1
18	18.2077.70	1
19	90.3568.00	2
20	90.5007.00	1
21	18.2073.41	1
22	18.2083.89	1
23	97.6200.00	1
24	ZINA 1/4F	1
25	94.7351.00	1

KIT N.	KIT 116
Position Included	10 - 11 - 12 - 13
Posizioni Incluse	14 - 15 - 16
N. pcs.	1

DIS. COD. 18.9515.00

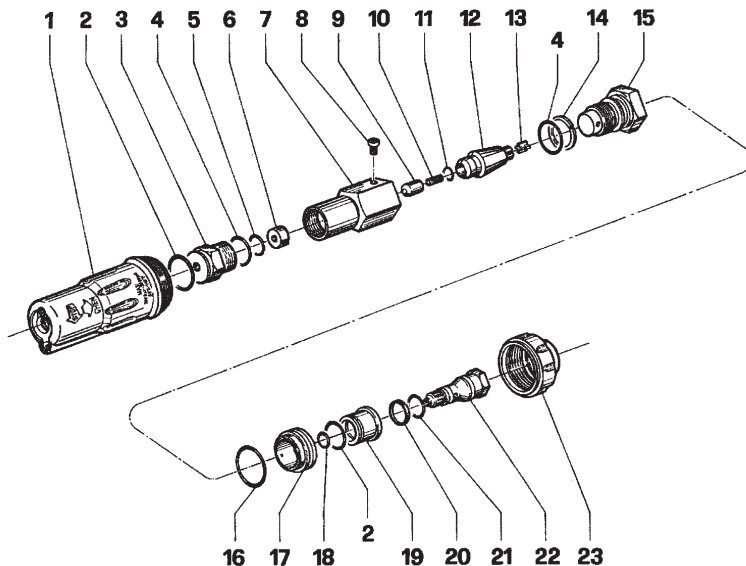
"MULTIREG99"



POS.	CODE CODICE	N. PCS.	POSITION 13	
			SERIES	CODE
1	10.0483.51	1	TX300 10.130	
2	10.0299.51	1	TX300 12.100	130
3	10.1304.76	1	TX300 13.160	
4	10.0486.70	1	TX500 15.250	135
5	90.3819.00	1	TX300 14.180	
6	10.0485.70	1	TX500 15.200	140
7	10.0496.70	1	TX500 18.170	155
8	10.0484.70	1	TX500 21.200	165
9	99.0702.00	2	TX500 21.150	170
10	90.3845.00	2		
11	90.2680.00	1		
12	90.3828.00	1		

DIS. COD. 10.9526.00

“ROTOTEK”



DIS. COD. 10.9545.00

POS.	CODE CODICE	N. PCS.	POS.	CODE CODICE	N. PCS.
1	10.0568.51	1	13	10.0453.51	1
2	90.3845.00	2	14	90.5090.00	1
3	10.0450.70	1	15	Tab. "A"	
4	90.3835.00	2	16	90.3867.00	1
5	90.3585.00	1	17	10.0567.51	1
6	10.0455.09	1	18	90.3819.00	1
7	10.0451.70	1	19	10.0485.70	1
8	99.0702.00	1	20	90.2680.00	1
9	10.0456.09	1	21	90.3828.00	1
10	Tab. "A"		22	10.0484.70	1
11	90.3574.00	1	23	10.0566.51	1
12	10.0564.02	1			

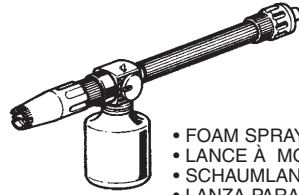
TAB. "A"			
SERIES	POS.	SERIES	N. PCS.
TX300 10.130	10	135	1
TX300 12.100	15	10.0454.70	1
TX500 15.250	10	140	1
	15	10.0454.70	1
TX300 13.160	10	145	1
	15	10.0454.70	1
TX300 14.180	10	150	1
TX500 15.200	15	10.0454.70	1
TX500 18.170	10	160	1
	15	10.0471.70	1
TX500 21.150	10	175	1
TX500 21.200	15	10.0471.70	1

ORD. CODE: **ZTXBRUSH**



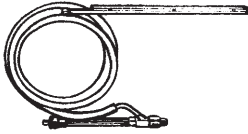
- ROTATING BRUSH
- BROSSE ROTATIVE
- DREHBARE BÜRSTE
- CEPILLO ROTATIVO
- ESCOVA ROTATIVA
- SPAZZOLA ROTANTE
- ROTERENDE BØRSTE
- ROTERENDE BORSTEL
- RØTERANDE BORSTE
- PYÖRIVÄ HARJA
- ROTERENDE BØRSTE
- ΠΕΡΙΣΤΡΕΦΟΜΕΝΗ ΒΟΥΡΤΣΑ
- ВРАЦАЮЩАЯСЯ ЩЕТКА

ORD. CODE: **ZTXFOAM**



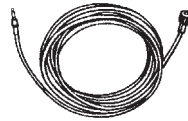
- FOAM SPRAYER
- LANCE À MOUSSE
- SCHAUMLANZE
- LANZA PARA ESPUMA
- LANÇA-ESPUMA
- LANCIA SCHIUMA
- SKUMLANSE
- SCHUIMTOEVOERDER
- SKUMLANS
- VAAHTOSUUTIN
- SKUMSPRØYTE
- ΠΙΣΤΟΛΕΤΟ ΑΦΡΟΥ
- РАЗБРЫЗГИВАТЕЛЬ ПЕНЫ

ORD. CODE: **ZTXSAND**



- SAND-BLASTING KIT
- KIT DE SABLAGE
- SANDSTRAHLKIT
- KIT ARENADOR
- CABEÇA DE AREIAMENTO
- TESTINA SABBIANTE
- SANDBLÆSNINGSSÆT
- ZANDKOP
- SANDBLÅSTER
- HIEKKAPUHALLUSSUUTIN
- SANDBLÄSER
- ΚΕΦΑΛΗ ΑΜΜΟΒΟΛΗΣ
- ПЕСКОСТРУЙНЫЙ КОМПЛЕКТ

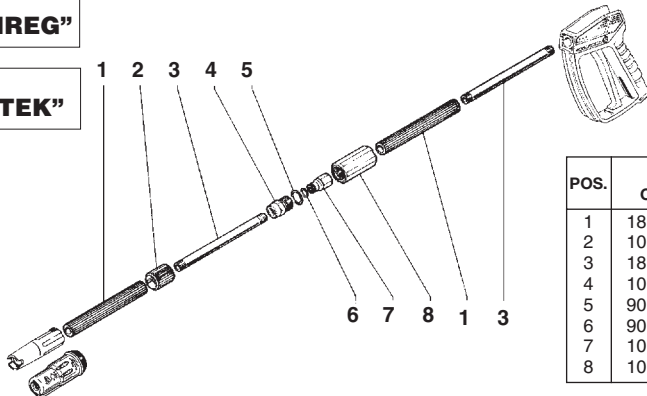
ORD. CODE: **ZTXDRAIN**



- DRAIN CLEANING KIT
- JEU DE NETTOYAGE DES TUBES
- ROHRREINIGUNGSKIT
- KIT DE LIMPIEZA DE TUBERÍAS
- ESTOJO LIMPEZA TUBAGENS
- KIT PULIZIA TUBAZIONI
- RØRRENSESÆT
- REINIGINGSSSET LEIDINGEN
- RØRRENSNINGSSSET
- LETKUJEN PESUTARVIKKEET
- RØRRENGJØRINGSUTSTYR
- KIT ΚΑΘΑΡΙΣΜΟΥ ΣΩΛΗΝΩΣΕΩΝ
- КОМПЛЕКТ ДЛЯ ОЧИСТКИ ТРУБ

ZTXLANCM
con/with **"MULTIREG"**

ZTXLANCR
con/with **"ROTOTEK"**



POS.	CODE CODICE	N. PCS.
1	18.0126.98	2
2	10.0542.51	1
3	18.0127.89	2
4	10.0120.70	1
5	90.3845.00	1
6	90.3820.00	1
7	10.0534.70	1
8	10.0532.02	1

DIS. COD. 18.9514.00



INTERPUMP GROUP

VIA E. FERMI, 25 - 42049 S. ILARIO - REGGIO EMILIA (ITALY)
TEL. +39 - 0522 - 904311 - TELEFAX + 39 - 0522 - 904444
E-mail: info@interpumpgroup.it - <http://www.interpumpgroup.it>