



IPC

Spare parts list

Ref: ASDO09724

Cust.ref: ASDO09724

Model: VACUUM PANDA 215/515 SHK PLAST C

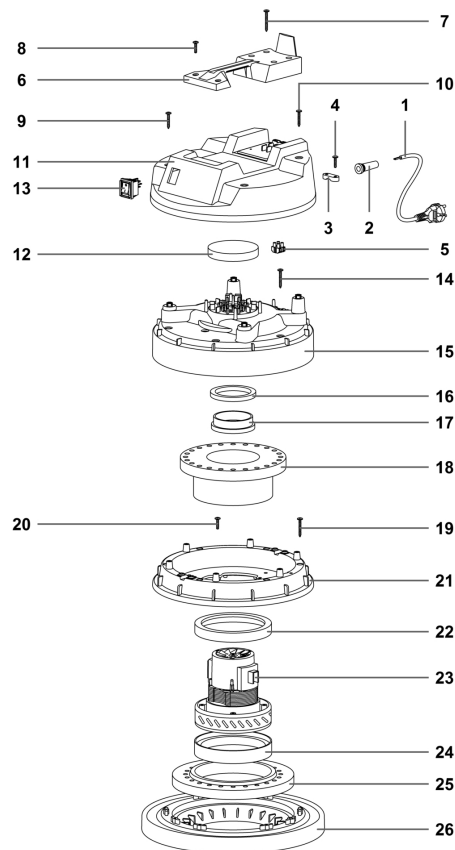
Cust.model: PA515XPPLAST TF



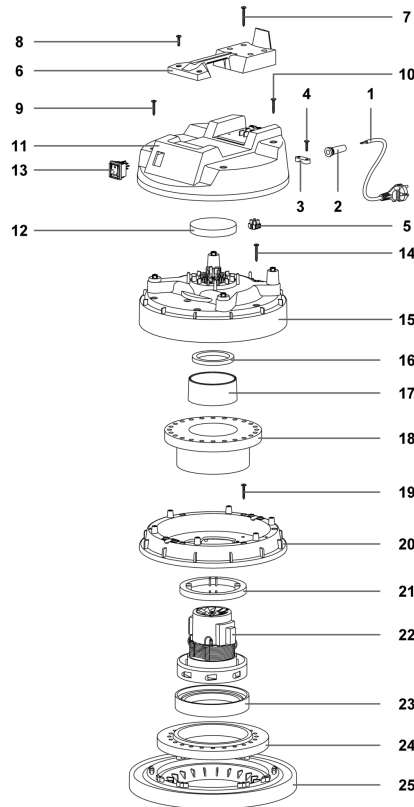
IPC Integrated Professional Cleaning

IPC Soteco

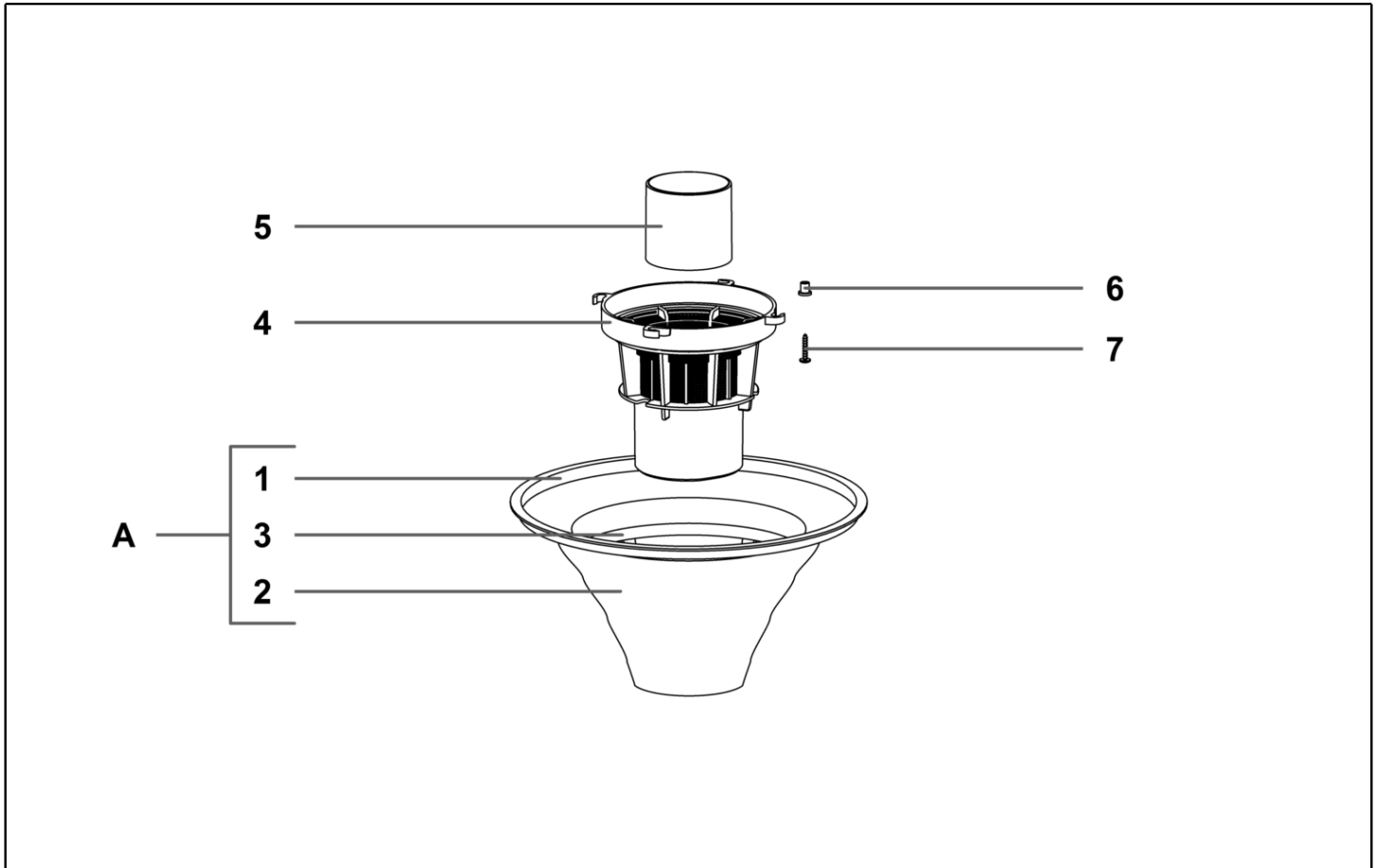
| Ref. K | Part n. | Part n. 2 | Description | Quantity | Validity | | Price |
|--------|-----------|-----------|---------------------------------------|----------|------------|------------|-------|
| | | | | | From | To | |
| 0001 | PMTA06909 | | HEAD KOALA 115-315 XP | 1,00 | | 30/06/2021 | -- |
| 0001 | PMTA09324 | | HEAD KOALA 115-315 SHARK G6/AR | 1,00 | 01/07/2021 | | -- |
| 0002 | KTRI04435 | | FILTERING KIT YES SANIFIC. COMPL. | 1,00 | | | -- |
| 0003 | PMVR05982 | | TANK COM 500/27 PL G6/G6OR/G6/ | 1,00 | | | -- |
| 0004 | CARR01575 | | SQUARE TROLLEY 202 G6000 PLASTIC TANK | 1,00 | | | -- |
| 0005 | PMDT00686 | | | 1,00 | | | -- |



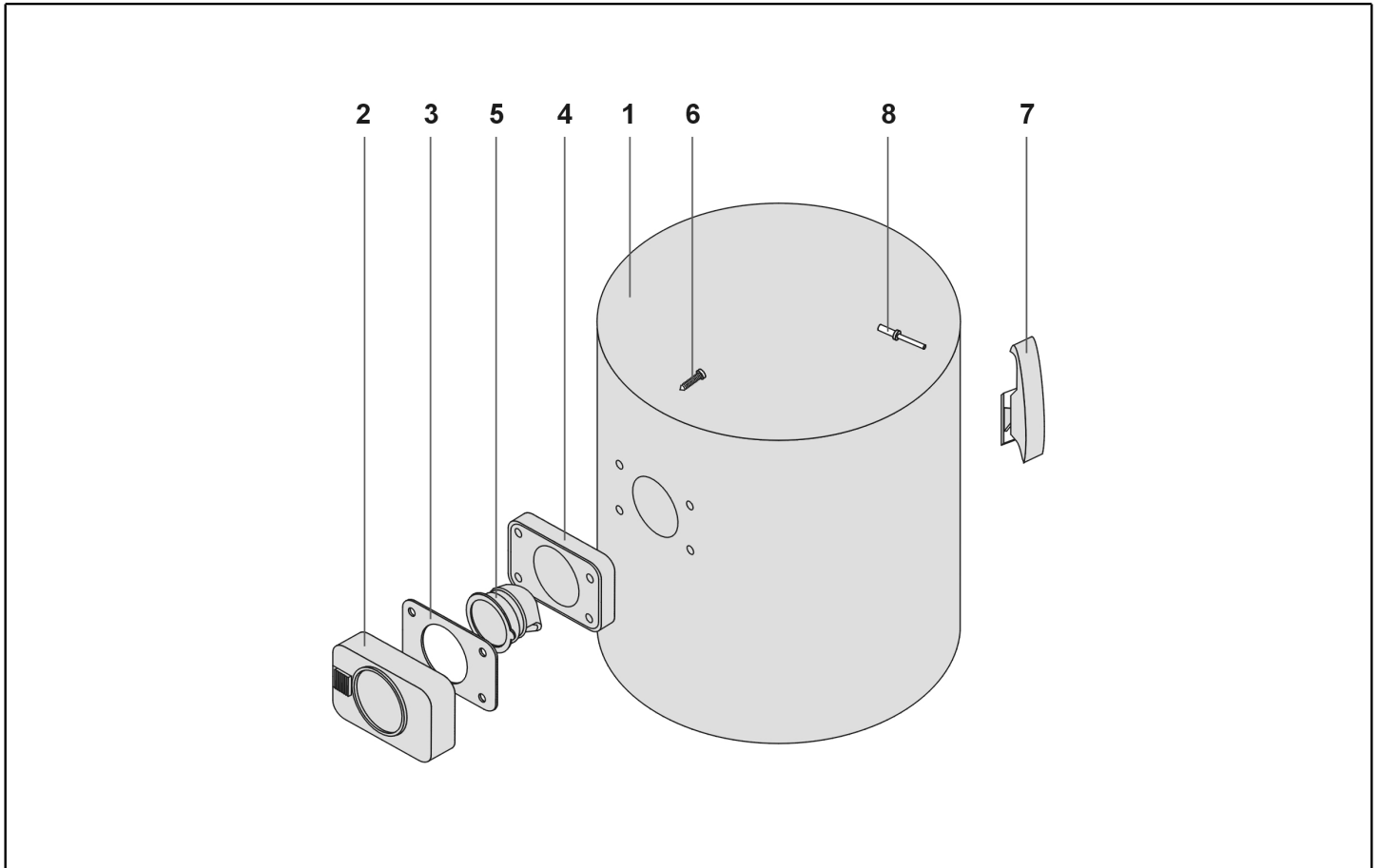
| Ref. K | Part n. | Part n. 2 | Description | Quantity | Validity | | Price |
|--------|-----------|-----------|------------------------------------|----------|------------|------------|-------|
| | | | | | From | To | |
| * | MECB01821 | | WIRING 40CM MOTOR-TP 1200 | 1,00 | | | -- |
| * | FSVR00127 | | CLAMP | 1,00 | | | -- |
| 0001 | MECB28672 | | ELECTRIC CORD 2X1 MT.8,5 | 1,00 | | | -- |
| 0002 | MEVR28673 | | FAIRLEAD | 1,00 | | | -- |
| 0003 | MPVR28690 | | CABLE CLAMP | 1,00 | | | -- |
| 0004 | VTVT71961 | | SCREW PFU TMT PHL 5X20 ZN NERA | 2,00 | | | -- |
| 0005 | MECB01161 | | TERMINAL BOARD 300-500 2P RAD | 1,00 | | | -- |
| 0006 | MPVR09697 | | GREY HANDLE PANDA 6000 | 1,00 | | | -- |
| 0007 | VTVT72106 | | SCREW PAT TMT PHL 5X40 BLACK | 4,00 | | | -- |
| 0008 | VTVT71961 | | SCREW PFU TMT PHL 5X20 ZN NERA | 2,00 | | | -- |
| 0009 | VTVT71966 | | SCREW PAT TMT PHL 5X30 BLACK | 2,00 | | | -- |
| 0010 | VTVT71966 | | SCREW PAT TMT PHL 5X30 BLACK | 2,00 | | | -- |
| 0011 | MPVR09715 | | GREY COVER PANDA 6000 | 1,00 | | | -- |
| 0012 | FTDP38064 | | FILTER MTP/65 H=15 D.95 | 1,00 | | | -- |
| 0013 | MECI72195 | | ANTISPLASH SWITCH | 1,00 | | | -- |
| 0014 | VTVT71971 | | SCREW PAT TMT PHL 5X35 BLACK | 6,00 | | | -- |
| 0015 | MPVR09099 | | COVERING 99 S/HOLES LOBSTER | 1,00 | | 09/03/2021 | -- |
| 0015 | MPVR12686 | | COVERING 99 S/FORI ARAGOSTA V2 | 1,00 | 10/03/2021 | | -- |
| 0016 | MPVR38371 | | WASHER H8 D85X65 | 1,00 | | | -- |
| 0017 | MPVR86282 | | RING MOTORE H=7 (15) PLAST. | 1,00 | | | -- |
| 0018 | FTDP38066 | | FILTER PHONO H=75 | 1,00 | | | -- |
| 0019 | VTVT71971 | | SCREW PAT TMT PHL 5X35 BLACK | 6,00 | | | -- |
| 0020 | VTVT71961 | | SCREW PFU TMT PHL 5X20 ZN NERA | 4,00 | | | -- |
| 0021 | MPVR08415 | | MOTOR SUPPORT 500 GREY 6000 | 1,00 | | | -- |
| 0022 | GUGO28683 | | "L" GASKET W/O HOLES H=5,5 | 1,00 | | | -- |
| 0023 | MOMO40006 | | MOT.BS282 1200W 220-240 50/60 MONO | 1,00 | | | -- |
| 0024 | GUVR00397 | | "L" GASKET S/F H=16 | 1,00 | | | -- |
| 0025 | FTDP38067 | | WASHER MTP 65MM 18D 230X145 | 1,00 | | | -- |
| 0026 | PMBA00624 | | BASE 500 SING.W/GASK. GR6000 | 1,00 | | | -- |



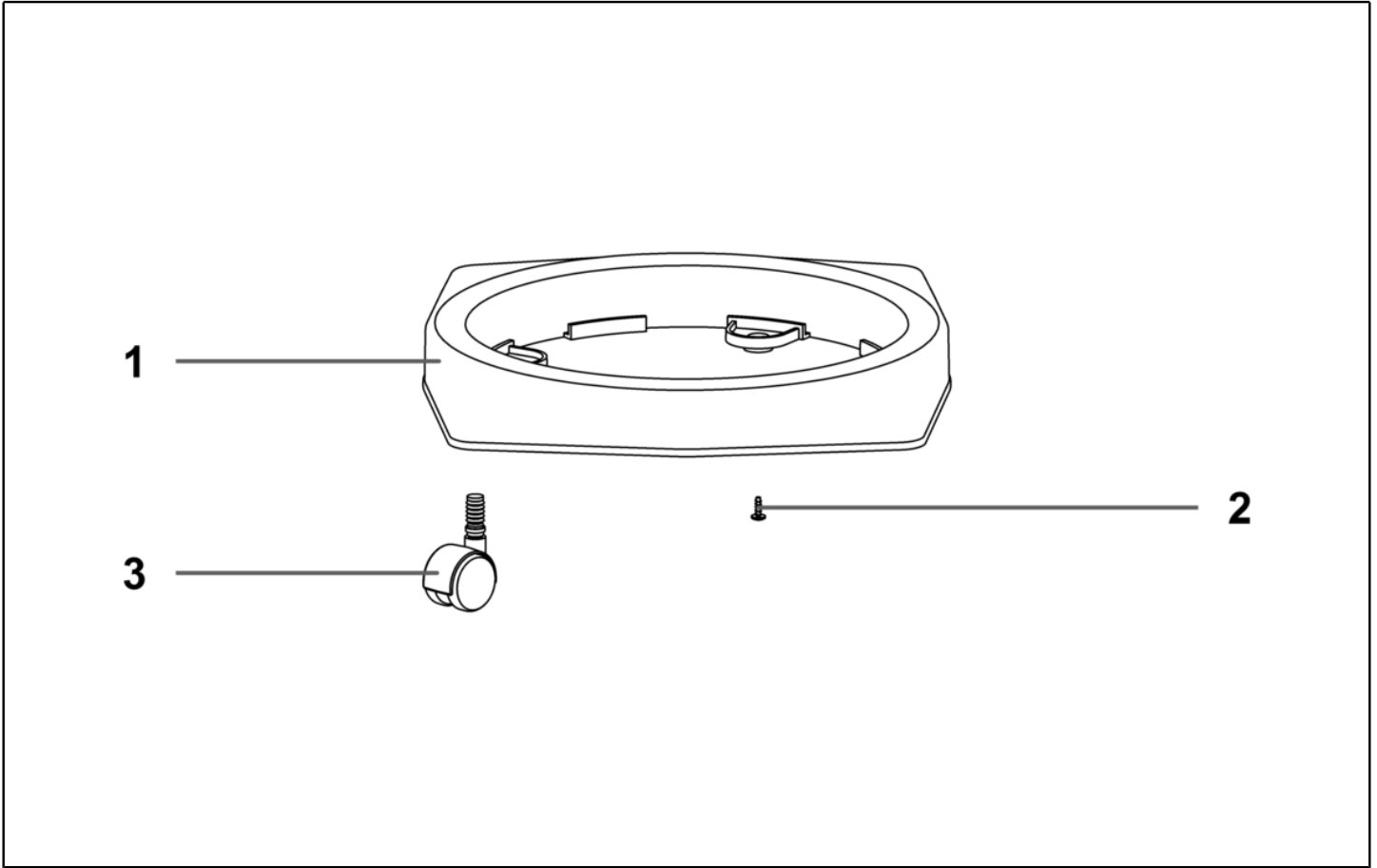
| Ref. K | Part n. | Part n. 2 | Description | Quantity | Validity | | Price |
|--------|-----------|-----------|----------------------------------|----------|----------|----|-------|
| | | | | | From | To | |
| * | MECB01820 | | MOTOR WIRING 40CM | 1,00 | | | -- |
| * | FSVR00127 | | CLAMP | 1,00 | | | -- |
| 0001 | MECB01984 | | CABLE ELETT.2X0,75 MT.8 | 1,00 | | | -- |
| 0002 | MEVR28673 | | FAIRLEAD | 1,00 | | | -- |
| 0003 | MPVR28690 | | CABLE CLAMP | 1,00 | | | -- |
| 0004 | VTVT71961 | | SCREW PFU TMT PHL 5X20 ZN NERA | 2,00 | | | -- |
| 0005 | MECB01161 | | TERMINAL BOARD 300-500 2P RAD | 1,00 | | | -- |
| 0006 | MPVR09697 | | GREY HANDLE PANDA 6000 | 1,00 | | | -- |
| 0007 | VTVT72106 | | SCREW PAT TMT PHL 5X40 BLACK | 4,00 | | | -- |
| 0008 | VTVT71961 | | SCREW PFU TMT PHL 5X20 ZN NERA | 2,00 | | | -- |
| 0009 | VTVT71966 | | SCREW PAT TMT PHL 5X30 BLACK | 2,00 | | | -- |
| 0010 | VTVT71966 | | SCREW PAT TMT PHL 5X30 BLACK | 2,00 | | | -- |
| 0011 | MPVR09715 | | GREY COVER PANDA 6000 | 1,00 | | | -- |
| 0012 | FTDP38064 | | FILTER MTP/65 H=15 D.95 | 1,00 | | | -- |
| 0013 | MECI72195 | | ANTISPLASH SWITCH | 1,00 | | | -- |
| 0014 | VTVT71971 | | SCREW PAT TMT PHL 5X35 BLACK | 6,00 | | | -- |
| 0015 | MPVR12686 | | COVERING 99 S/FORI ARAGOSTA V2 | 1,00 | | | -- |
| 0016 | MPVR38371 | | WASHER H8 D85X65 | 1,00 | | | -- |
| 0017 | MPVR11992 | | RING MOTORE DIA 70 H 25 KING | 1,00 | | | -- |
| 0018 | FTDP38066 | | FILTER PHONO H=75 | 1,00 | | | -- |
| 0019 | VTVT71966 | | SCREW PAT TMT PHL 5X30 BLACK | 10,00 | | | -- |
| 0020 | MPVR11989 | | MOTOR FASTENER 500 NE KING CLEAN | 1,00 | | | -- |
| 0021 | GUVR00413 | | "C" GASKET D.130 | 1,00 | | | -- |
| 0022 | MOMO01021 | | MOTOR BS20212 KC SHARK 1200W 22 | 1,00 | | | -- |
| 0023 | GUVR00412 | | "L" GASKET D.130 H=13 | 1,00 | | | -- |
| 0024 | FTDP00802 | | WASHER MTP 65 18X230X145 KC | 1,00 | | | -- |
| 0025 | PMBA00624 | | BASE 500 SING.W/GASK. GR6000 | 1,00 | | | -- |



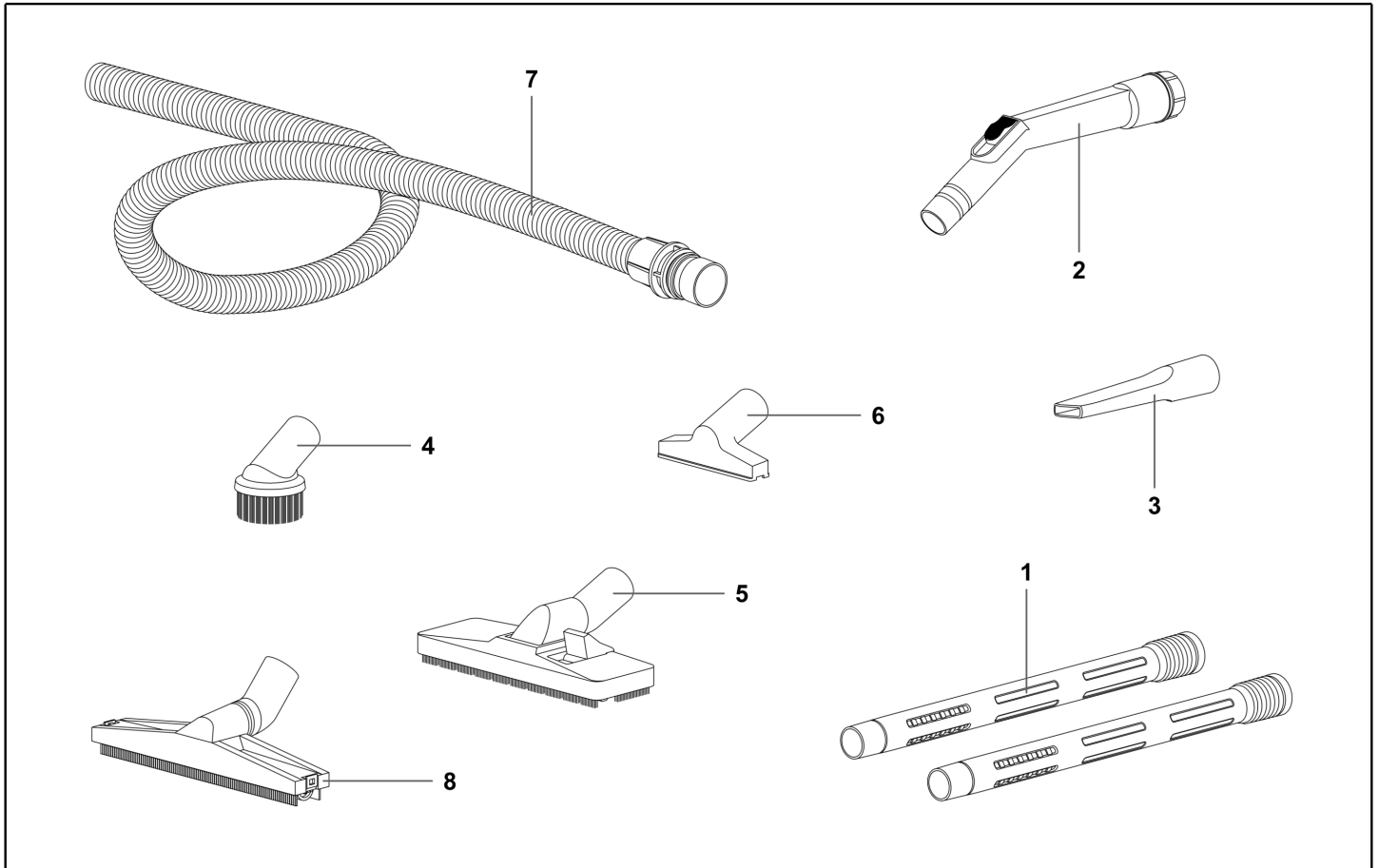
| Ref. K | Part n. | Part n. 2 | Description | Quantity | Validity | | Price |
|--------|-----------|-----------|-----------------------------------|----------|----------|----|-------|
| | | | | | From | To | |
| A | KTRI02133 | | KIT RING+FILT+BASK 500 CONIC. SAN | 1,00 | | | -- |
| 0001 | MPVR36522 | | FILTER RING 500 | 1,00 | | | -- |
| 0002 | FTDP00547 | | FILTER POLY AN3-500 CON REG H180 | 1,00 | | | -- |
| 0003 | MPVR35490 | | LOWER CONICAL BASKET 300 | 1,00 | | | -- |
| 0004 | MPVR40521 | | NET ANTIFOAM BODY HIGH | 1,00 | | | -- |
| 0005 | RCGR40008 | | HIGH FLOAT 99 W/GASKET 37 SHA | 1,00 | | | -- |
| 0006 | MPVR35796 | | BUSHING PLASTIC SLEEVE D.8 | 4,00 | | | -- |
| 0007 | VTVT36751 | | SCREW SCREW PAT TMT PHL 5X25 | 4,00 | | | -- |



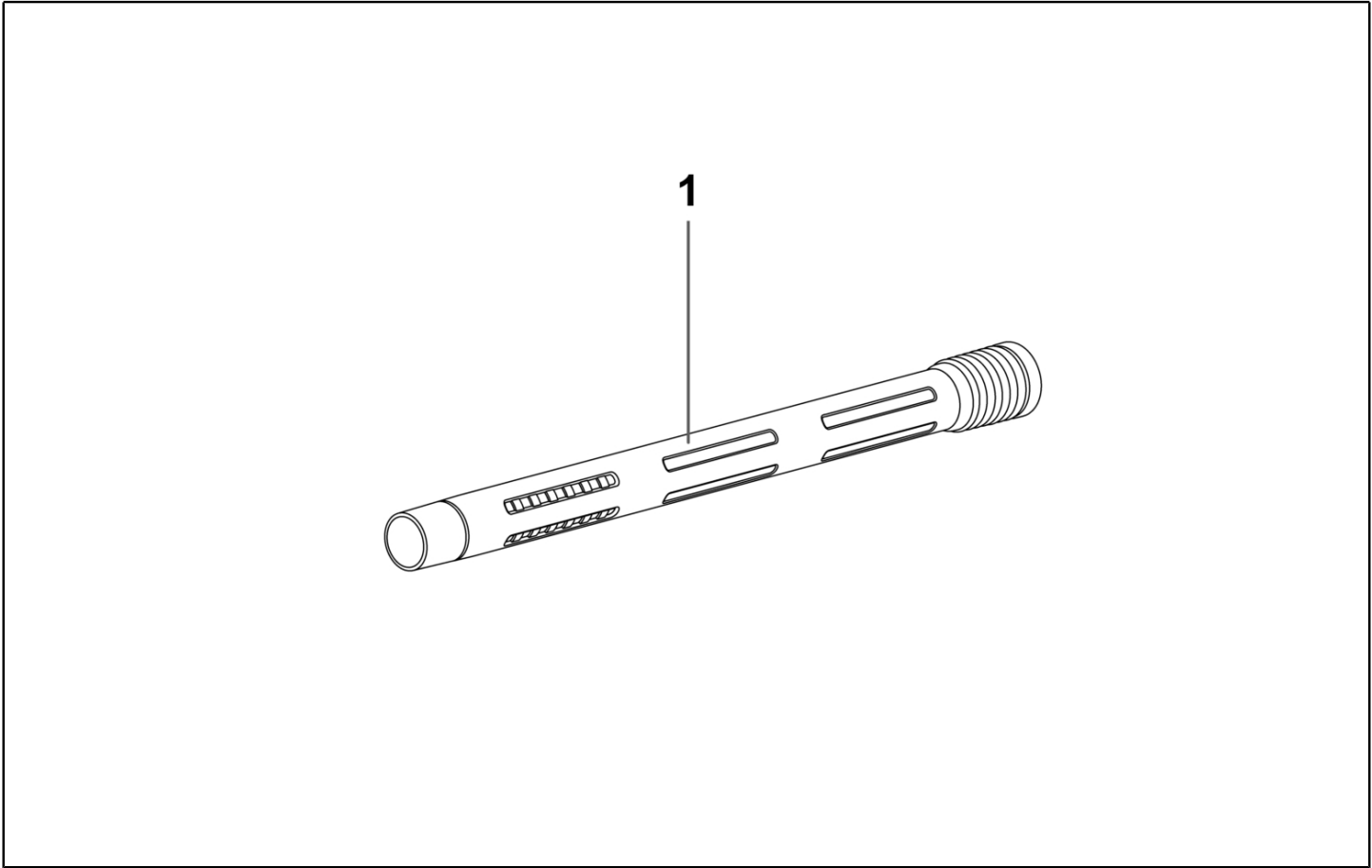
| Ref. K | Part n. | Part n. 2 | Description | Quantity | Validity | | Price |
|--------|-----------|-----------|--------------------------------|----------|------------|----|-------|
| | | | | | From | To | |
| 0001 | PMVR03102 | | TANK FOR PL 500/27 B56 2SCF OR | 1,00 | | | -- |
| 0002 | MPVR09004 | | PIPE UNION R155 G6000 W/BUT.OR | 1,00 | | | -- |
| 0003 | GUGO28701 | | GASKET D.38 | 1,00 | | | -- |
| 0004 | MPVR08681 | | GASKET R 205 GREY 6000 | 1,00 | | | -- |
| 0005 | MPVR28696 | | DEFLECTOR 99 | 1,00 | | | -- |
| 0006 | VTVT71966 | | SCREW PAT TMT PHL 5X30 BLACK | 4,00 | | | -- |
| 0007 | CHVR28735 | | COMPLETE PLASTIC HOOK BLACK | 2,00 | 15/02/2016 | | -- |
| 0008 | VTVR71992 | | RIVET RIVET 4,8X17 | 4,00 | | | -- |



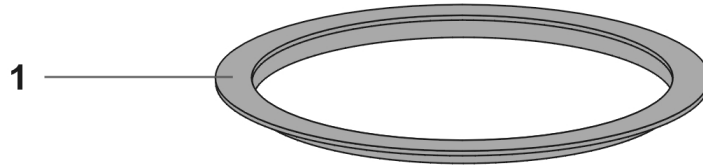
| Ref. K | Part n. | Part n. 2 | Description | Quantity | Validity | | Price |
|--------|-----------|-----------|--|----------|----------|----|-------|
| | | | | | From | To | |
| 0001 | MPVR07923 | | TROLLEY BODY SQUARED BODY TROLLEY GREY | 1,00 | | | -- |
| 0002 | VTVT71960 | | SCREW SCREW PAT TMT PHL 5X14 ZN | 4,00 | | | -- |
| 0003 | RTRT42006 | | TROLLEY BOX WHEEL | 4,00 | | | -- |



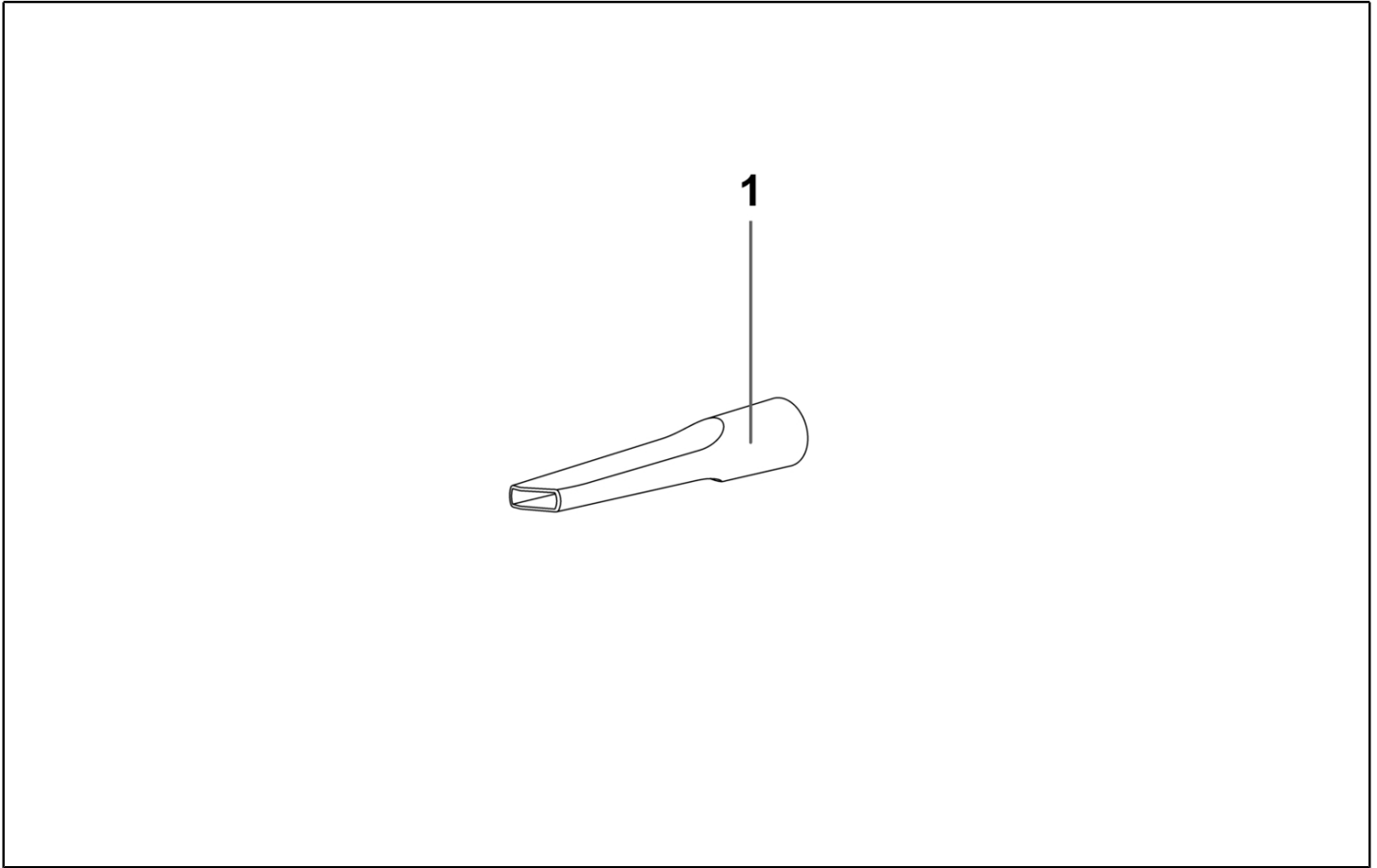
| Ref. K | Part n. | Part n. 2 | Description | Quantity | Validity | | Price |
|--------|-----------|-----------|----------------------------------|----------|----------|----|-------|
| | | | | | From | To | |
| 0001 | LAFN28238 | | AL-PLAST.TUBE D.36 MT.0.50 | 2,00 | | | -- |
| 0002 | LAFN85073 | | PLASTIC WAND WITH AIR REGULATION | 1,00 | | | -- |
| 0003 | SPPV28242 | | FLAT LANCE D.36 | 1,00 | | | -- |
| 0004 | SPPV28243 | | ROUND TOOL | 1,00 | | | -- |
| 0005 | SPPV28244 | | ASPIRAMATIC TOOL | 1,00 | | | -- |
| 0006 | MPVR00141 | | SMALL TOOL D.36 | 1,00 | | | -- |
| 0007 | TBFX00707 | | | 1,00 | | | -- |
| 0008 | SPPV28245 | | WET BRUSH 300 D.36 | 1,00 | | | -- |



| Ref. K | Part n. | Part n. 2 | Description | Quantity | Validity | | Price |
|--------|-----------|-----------|----------------------------|----------|----------|----|-------|
| | | | | | From | To | |
| 0001 | LAFN28238 | | AL-PLAST.TUBE D.36 MT.0,50 | 1,00 | | | -- |
| 0001 | LAFN28238 | | AL-PLAST.TUBE D.36 MT.0,50 | 1,00 | | | -- |



| Ref. K | Part n. | Part n. 2 | Description | Quantity | Validity | | Price |
|--------|-----------|-----------|-----------------|----------|----------|----|-------|
| | | | | | From | To | |
| 0001 | MPVR36522 | | FILTER RING 500 | 1,00 | | | -- |
| 0001 | MPVR36522 | | FILTER RING 500 | 1,00 | | | -- |



| Ref. K | Part n. | Part n. 2 | Description | Quantity | Validity | | Price |
|--------|-----------|-----------|-----------------|----------|----------|----|-------|
| | | | | | From | To | |
| 0001 | SPPV28242 | | FLAT LANCE D.36 | 1,00 | | | -- |
| 0001 | SPPV28242 | | FLAT LANCE D.36 | 1,00 | | | -- |



| Ref. K | Part n. | Part n. 2 | Description | Quantity | Validity | | Price |
|--------|-----------|-----------|--------------|----------|----------|----|-------|
| | | | | | From | To | |
| 0001 | MPVR28696 | | DEFLECTOR 99 | 1,00 | | | -- |
| 0001 | MPVR28696 | | DEFLECTOR 99 | 1,00 | | | -- |



| Ref. K | Part n. | Part n. 2 | Description | Quantity | Validity | | Price |
|--------|-----------|-----------|------------------------------|----------|----------|----|-------|
| | | | | | From | To | |
| 0001 | VTVT36751 | | SCREW SCREW PAT TMT PHL 5X25 | 1,00 | | | -- |
| 0001 | VTVT36751 | | SCREW SCREW PAT TMT PHL 5X25 | 1,00 | | | -- |