



IPC

Spare parts list

Ref: ASDO11342

Cust.ref: ASDO11342

Model: VACUUM CLEANER TORNADO 629 INOX W/ACC.

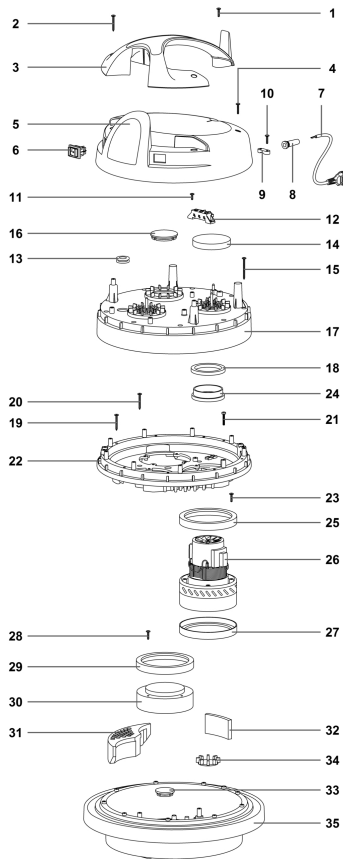
Cust.model: TPR629/2TORN629



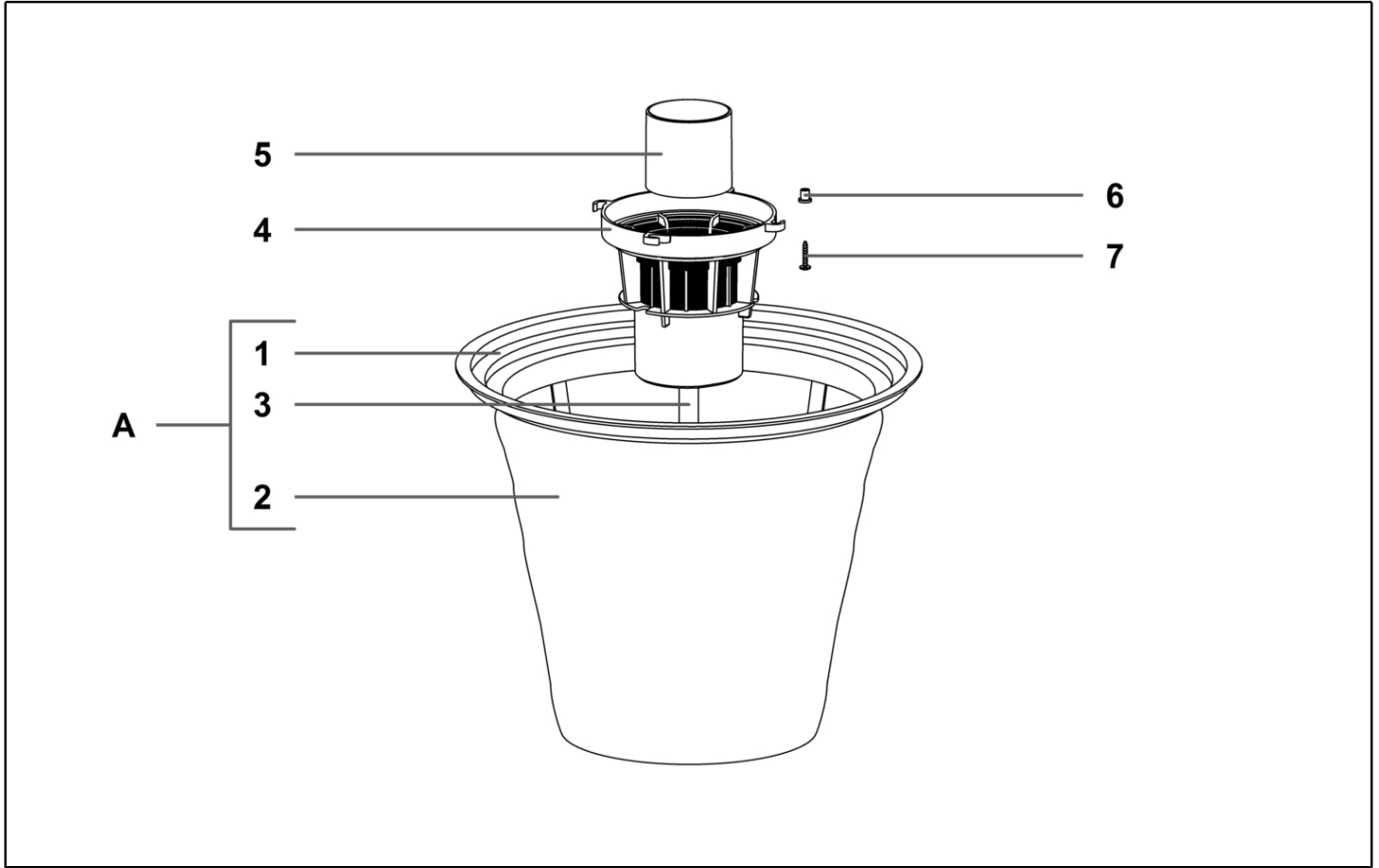
IPC Integrated Professional Cleaning

IPC Soteco

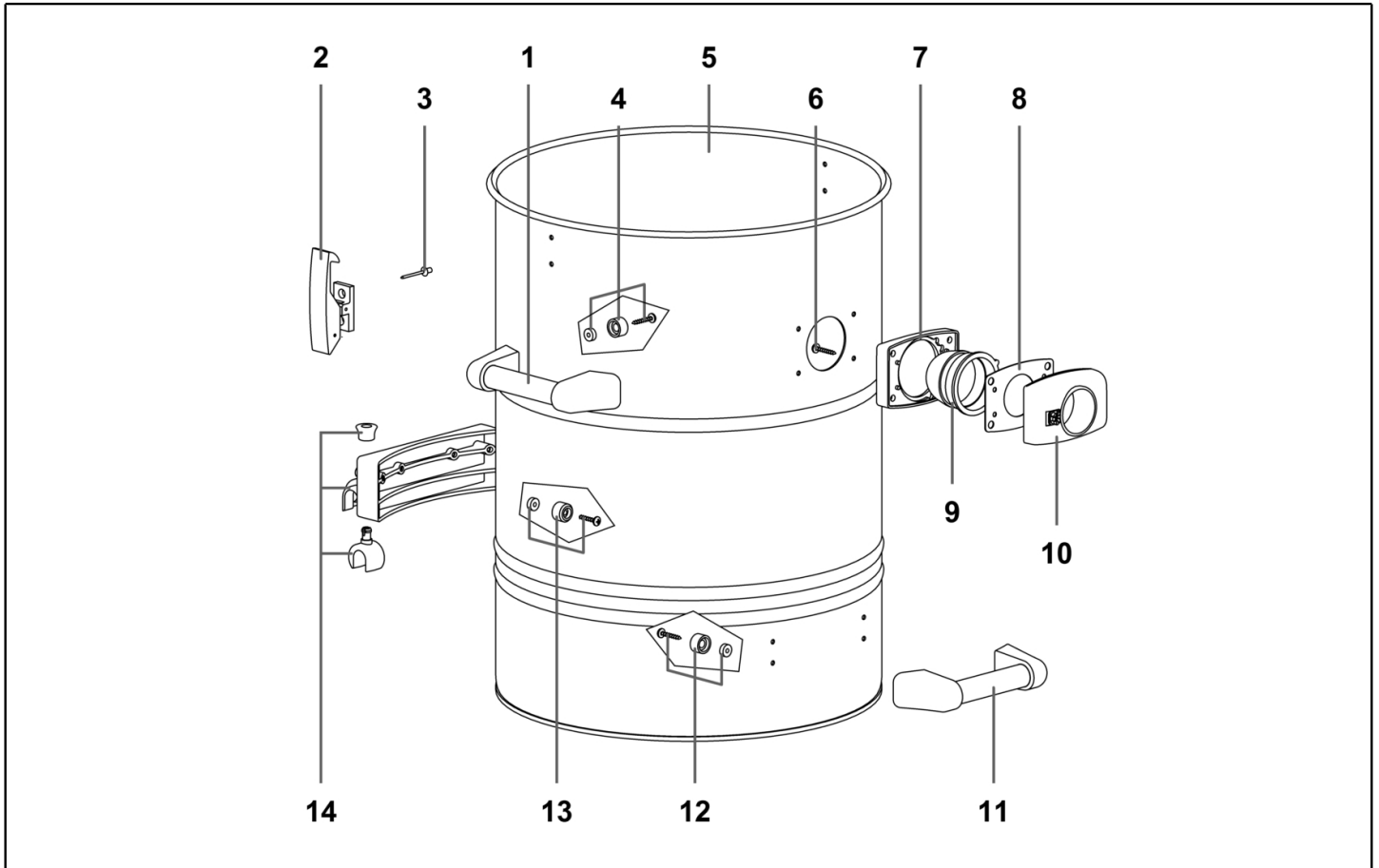
Ref. K	Part n.	Part n. 2	Description	Quantity	Validity		Price
					From	To	
0001	PMTA01559		HEAD TOPPER 629 2ST RAD. OR/G6	1,00			--
0002	KTRI72194		CONICAL FILTRATION KIT 600	1,00			--
0003	PMFU01249		TANK PANDA 600 BASC.AISI 430 C	1,00			--
0004	CARR01374		TIPPING TROLLEY NEVADA	1,00			--



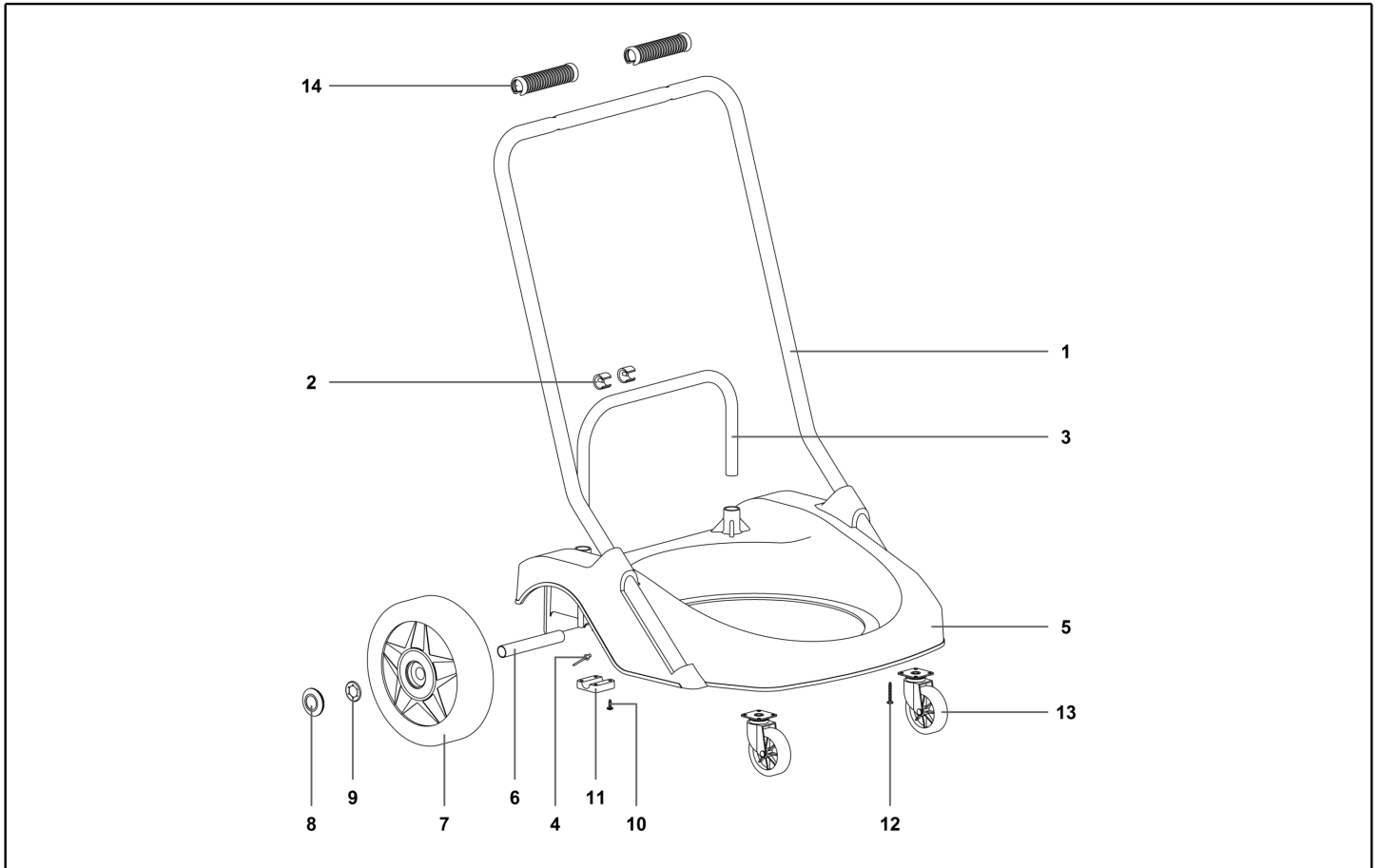
Ref. K	Part n.	Part n. 2	Description	Quantity	Validity		Price
					From	To	
*	MECB01826		WIRING 50CM MOTORE POKE-IN-TP	2,00			--
*	FSVR00127		CLAMP	3,00			--
*	MECB35712		WIRE WITH RESISTANCE	1,00			--
0001	VTVT71961		SCREW PFU TMT PHL 5X20 ZN NERA	1,00			--
0002	VTVT72106		SCREW PAT TMT PHL 5X40 BLACK	2,00			--
0003	MPVR08298		LOBSTER HANDLE TOPPER 600	1,00			--
0004	VTVT72055		SCREW PFU TMT PHL 5X25 ZN BLACK	2,00			--
0005	PMVR04804		COVER TOPPER 600 G6 2INT	1,00			--
0006	MECI28744		ANTISPLASH RED LIGHT SWITCHER	2,00			--
0007	MECB28672		ELECTRIC CORD 2X1 MT.8,5	1,00			--
0008	MEVR28673		FAIRLEAD	1,00			--
0009	MPVR28690		CABLE CLAMP	1,00			--
0010	VTVT71961		SCREW PFU TMT PHL 5X20 ZN NERA	1,00			--
0011	VTVT71960		SCREW SCREW PAT TMT PHL 5X14 ZN	2,00			--
0012	MECB01168		TERMINAL BOARD 400-600 2P 2MOT	1,00			--
0013	MEVR72017		GUIDING SLIT FOR QUICK COUPLING	1,00			--
0014	FTDP38064		FILTER MTP/65 H=15 D.95	2,00			--
0015	VTVT40007		SCREW PAT TMT PHL 5X55 BLACK	9,00			--
0016	MPVR38053		COVERING CAP	1,00			--
0017	MPVR08503		LOBSTER COVER 600	1,00			--
0018	MPVR38371		WASHER H8 D85X65	2,00			--
0019	VTVT72106		SCREW PAT TMT PHL 5X40 BLACK	9,00			--
0020	VTVT72106		SCREW PAT TMT PHL 5X40 BLACK	3,00			--
0021	VTVT01181		SCREW TC CROSS M 5X30 UNI 7687	1,00			--
0022	MPVR09336		MOTOR SUPPORT NEV. 600 GREY 6000	1,00			--
0023	VTVT71961		SCREW PFU TMT PHL 5X20 ZN NERA	8,00			--
0024	MPVR86282		RING MOTORE H=7 (15) PLAST.	2,00			--
0025	GUGO28683		"L" GASKET W/O HOLES H=5,5	2,00			--
0026	MOMO28716		MOT.BD302 1000W 220-240V 50-60HZ	2,00			--
0027	GUGO28683		"L" GASKET W/O HOLES H=5,5	2,00			--
0028	VTVT71961		SCREW PFU TMT PHL 5X20 ZN NERA	4,00			--
0029	GUGO28683		"L" GASKET W/O HOLES H=5,5	1,00			--
0030	MPVR07346		FAKE MOTOR	1,00			--
0031	FTDP38057		ANTINOISE TRIANGLE H=51	3,00			--
0032	FTDP28745		GASKET MTP/30 AU-AD 50X10X85	3,00			--
0033	MPVR38058		BASE CAP	1,00			--
0034	MPVR28748		AUTOMATIC VALVE	2,00			--
0035	PMBA00570		BASE NEV.600 W/PLA G6 COMP	1,00			--



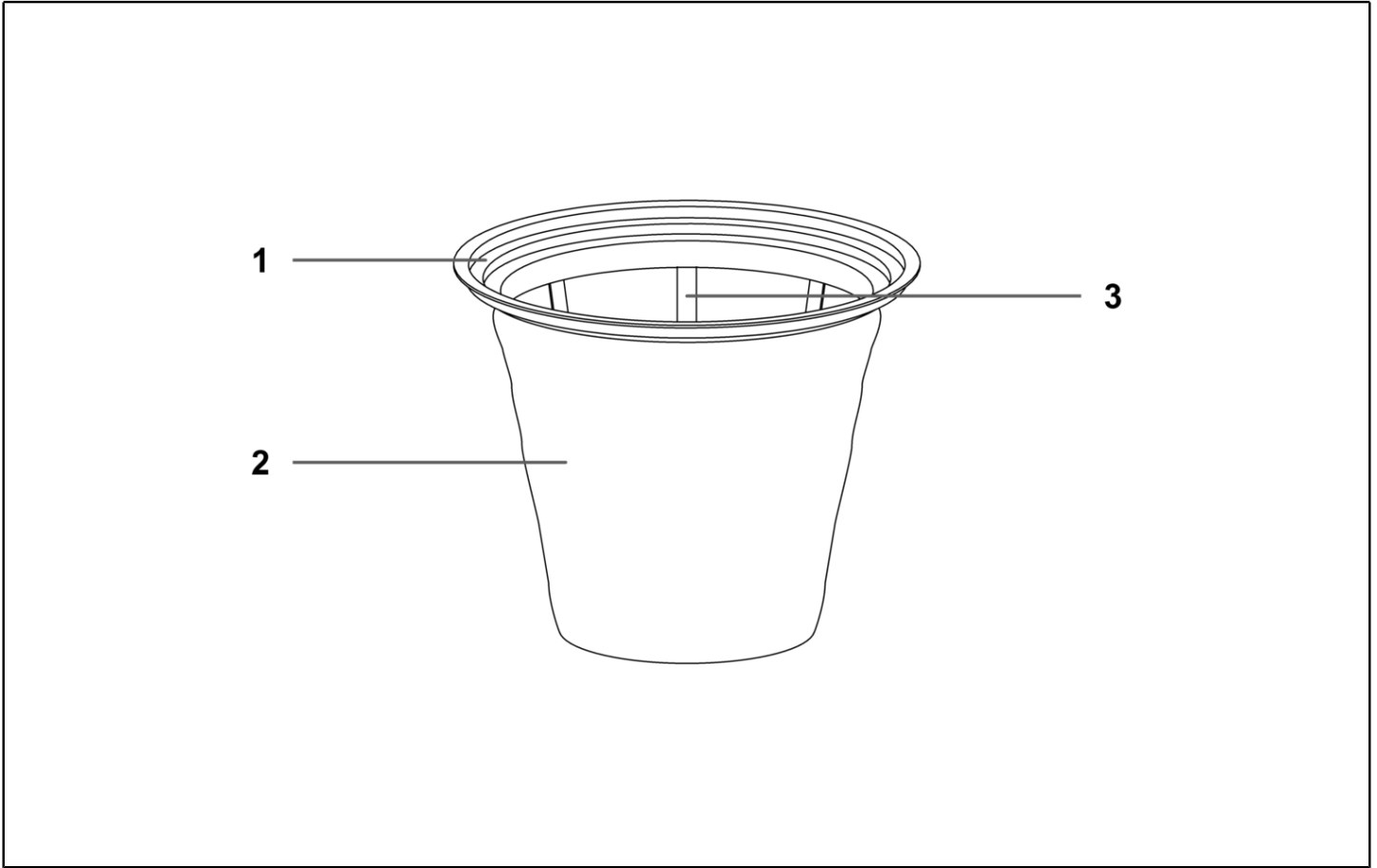
Ref. K	Part n.	Part n. 2	Description	Quantity	Validity		Price
					From	To	
A	KTRI02949		KIT RING+FILT+BASKET 600	1,00			--
0001	MPVR35495		FILTER RING 600	1,00			--
0002	FTDP00523		FILTER POLY AN4-600 CON REG H320	1,00			--
0003	MPVR09199		CONICAL BASKET 400	1,00			--
0004	MPVR40521		NET ANTIFOAM BODY HIGH	1,00			--
0005	RCGR40008		HIGH FLOAT 99 W/GASKET 37 SHA	1,00			--
0006	MPVR35796		BUSHING PLASTIC SLEEVE D.8	4,00			--
0007	VTVT36751		SCREW SCREW PAT TMT PHL 5X25	4,00			--



Ref. K	Part n.	Part n. 2	Description	Quantity	Validity		Price
					From	To	
0001	MPVR28765		TANK HANDLE "V.F." ISSA	2,00			--
0002	PMVR02871		PLASTIC HOOK COMPL. GR6000	2,00			--
0003	VTVR71991		RIVET 5X11	4,00			--
0004	PMVR02551		COMPL. SEAL JOI. C/VITE L=30	8,00			--
0005	LAFN28766		TIPPING TANK NEVADA 600 AISI 430	1,00			--
0006	VTVT71966		SCREW PAT TMT PHL 5X30 BLACK	4,00			--
0007	MPVR08681		GASKET R 205 GREY 6000	1,00			--
0008	GUGO28701		GASKET D.38	1,00			--
0009	MPVR28696		DEFLECTOR 99	1,00			--
0010	MPVR09004		PIPE UNION R155 G6000 W/BUT.OR	1,00			--
0011	MPVR28765		TANK HANDLE "V.F." ISSA	1,00			--
0012	PMVR02551		COMPL. SEAL JOI. C/VITE L=30	4,00			--
0013	RIGE00015		COMPLETE SEAL W/SCREW L=25	4,00			--
0014	MPVR06993		HINGE GROUP BASC COMP	1,00			--



Ref. K	Part n.	Part n. 2	Description	Quantity	Validity		Price
					From	To	
0001	LAFN09981		HANDLE NEVADA BLACK VARN.	1,00			--
0002	LAFN72157		POSITIONER MIR. 1600	2,00			--
0003	LAFN28769		CHROME HANDLE NEVADA	1,00			--
0004	VTVR71991		RIVET 5X11	2,00		17/01/2021	--
0004	VTVR71992		RIVET RIVET 4,8X17	2,00	18/01/2021		--
0005	MPVR28771		TROLLEY MIR. 1600	1,00			--
0006	LAFN28772		WHEEL PIVOT D.20X140	2,00			--
0007	RTRT24322		WHEEL SR 250	2,00			--
0008	MPVR85070		WHEEL CAP D.200/250 BLACK	2,00			--
0009	MPVR72149		BLOC D.20	2,00			--
0010	VTVT01193		SCREW PAT TMT PHL 5X15 ZN BLACK	8,00			--
0011	MPVR28774		LOCK PIVOT BRACKET	2,00			--
0012	VTVT71971		SCREW PAT TMT PHL 5X35 BLACK	8,00			--
0013	RTRT28775		FLANGED WHEEL D.80	2,00			--
0014	MPVR02288		PLAST.TROLLEY HANDLE	2,00			--



Ref. K	Part n.	Part n. 2	Description	Quantity	Validity		Price
					From	To	
0001	MPVR35495		FILTER RING 600	1,00			--
0002	FTDP00523		FILTER POLY AN4-600 CON REG H320	1,00			--
0003	MPVR09199		CONICAL BASKET 400	1,00			--



Ref. K	Part n.	Part n. 2	Description	Quantity	Validity		Price
					From	To	
0001	VTVT36751		SCREW SCREW PAT TMT PHL 5X25	1,00			--
0001	VTVT36751		SCREW SCREW PAT TMT PHL 5X25	1,00			--



Ref. K	Part n.	Part n. 2	Description	Quantity	Validity		Price
					From	To	
0001	MPVR28696		DEFLECTOR 99	1,00			--
0001	MPVR28696		DEFLECTOR 99	1,00			--