



IPC

Spare parts list

Ref: ASDO13847

Cust.ref: ASDO13847

Model: EXTRACTOR GS2/62EXT GAR GAMMA 650

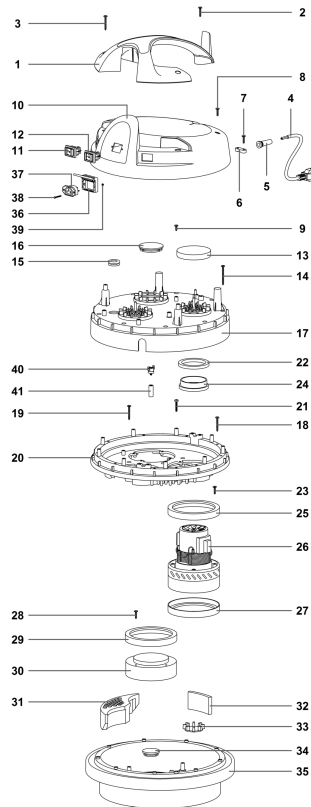
Cust.model: GS 2/62 EXT



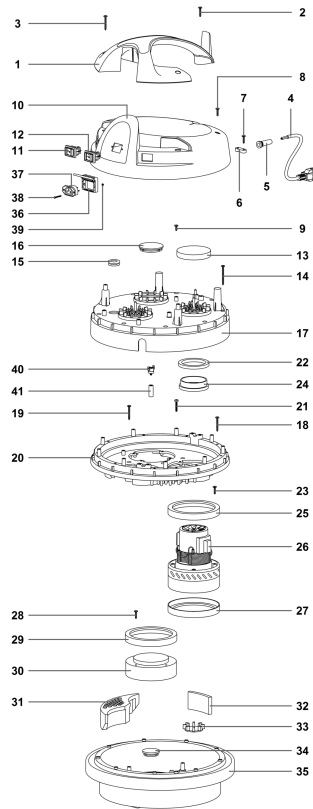
IPC Integrated Professional Cleaning

IPC Soteco

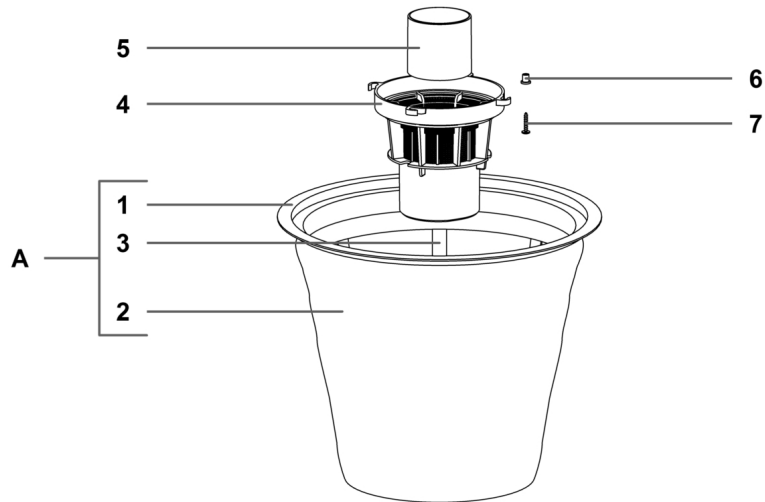
Ref. K	Part n.	Part n. 2	Description	Quantity	Validity		Price
					From	To	
0001	PMTA09160		HEAD GAMMA 650 RAD C/P NE/AR	1,00			--
0002	KTRI72229		COMPL.FILTRATION KIT 400	1,00			--
0003	LAFN87146		CLEAR WATER TANK COMPL. GARAGE	1,00			--
0004	KTRI40132		DRAIN DEVICE D.34 COMP MARK	1,00			--
0005	PMFU02846		TANK GENIUS A304 NE/AR COMPL	1,00			--
0006	CARR01429		TROLLEY BASE MARKET FOR SPACER	1,00			--
0007	PMDT00987		ACCESS.KIT 38 EXTR. WET-DRY	1,00	21/03/2017		--



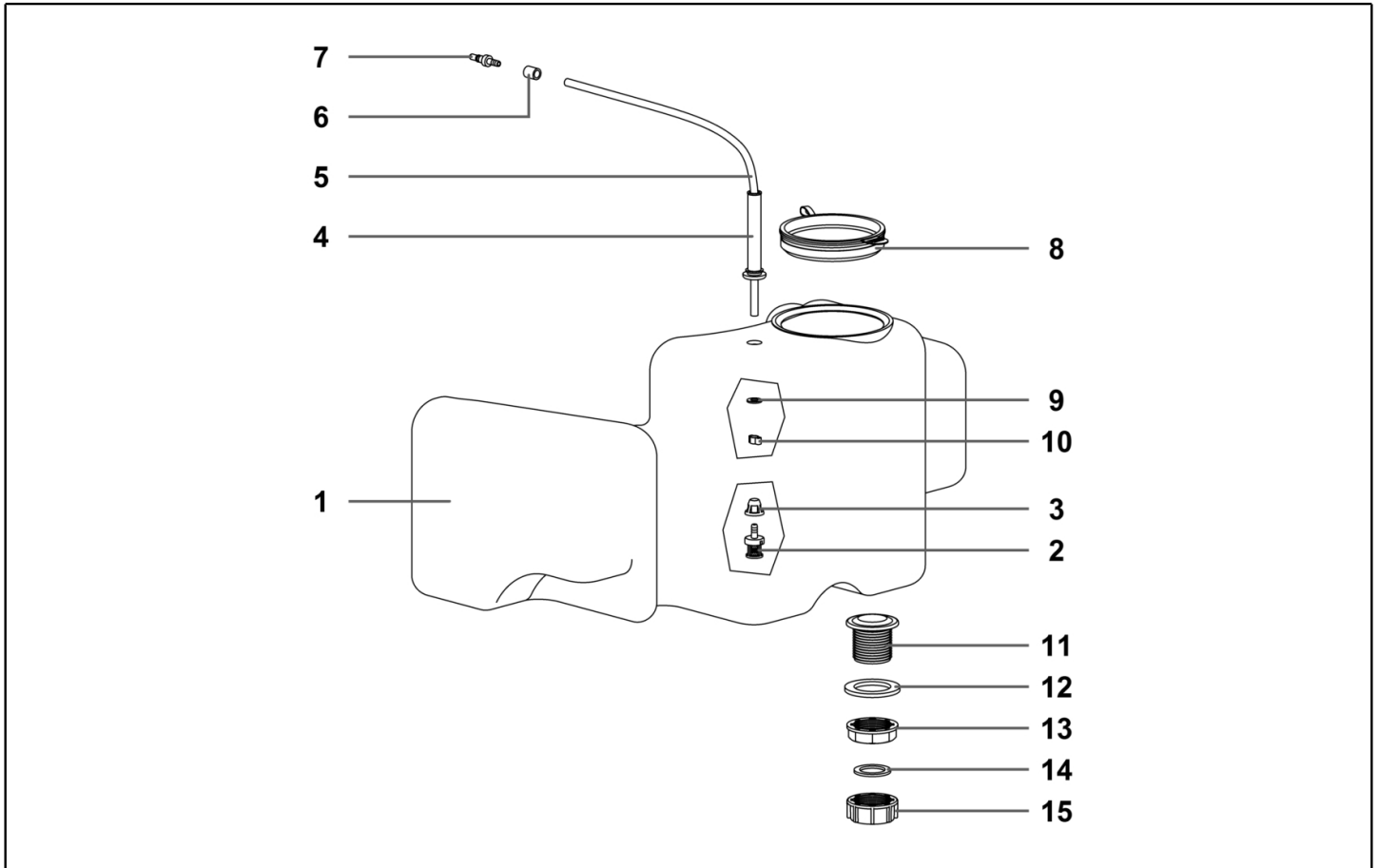
Ref. K	Part n.	Part n. 2	Description	Quantity	Validity		Price
					From	To	
*	PMQE00294		ELECTRIC KIT EXTR.600 TP PUMP ULKA	1,00			--
*	MECB01826		WIRING 50CM MOTORE POKE-IN-TP	2,00			--
*	FSVR00127		CLAMP	16,00			--
*	PEL00077		PUMP GROUP FLASH	1,00			--
0001	MPVR08298		LOBSTER HANDLE TOPPER 600	1,00			--
0002	VTVT72207		SCREW PAT TMT PHL 5X25 BLACK	1,00			--
0003	VTVT72106		SCREW PAT TMT PHL 5X40 BLACK	2,00			--
0004	MECB28740		ELECTRIC CORD 3X1,5 MT 8,5	1,00			--
0005	MEVR28673		FAIRLEAD	1,00			--
0006	MPVR28690		CABLE CLAMP	1,00			--
0007	VTVT71961		SCREW PFU TMT PHL 5X20 ZN NERA	1,00			--
0008	VTVT72207		SCREW PAT TMT PHL 5X25 BLACK	2,00			--
0009	VTVT71960		SCREW SCREW PAT TMT PHL 5X14 ZN	2,00			--
0010	PMVR06243		COVER TOPPER 600 NE 3INT/PS	1,00			--
0011	MECI28744		ANTISPLASH RED LIGHT SWITCHER	2,00			--
0012	MECI72268		ANTISPLASH GREEN LIGHT SWITCH	1,00			--
0013	FTDP38064		FILTER MTP/65 H=15 D.95	2,00			--
0014	VTVT40007		SCREW PAT TMT PHL 5X55 BLACK	9,00			--
0015	MEVR72017		GUIDING SLIT FOR QUICK COUPLING	1,00			--
0016	MPVR38053		COVERING CAP	1,00			--
0017	PMVR05597		LOBSTER COVER STORM	1,00			--
0018	VTVT72106		SCREW PAT TMT PHL 5X40 BLACK	9,00			--
0019	VTVT72106		SCREW PAT TMT PHL 5X40 BLACK	3,00			--
0020	MPVR89502		MOTOR-FASTENER NEV.600 BLACK	1,00			--
0021	VTVT01181		SCREW TC CROSS M 5X30 UNI 7687	1,00			--
0022	MPVR38371		WASHER H8 D85X65	2,00			--
0023	VTVT71961		SCREW PFU TMT PHL 5X20 ZN NERA	8,00			--
0024	MPVR86282		RING MOTORE H=7 (15) PLAST.	2,00			--
0025	GUGO28683		"L" GASKET W/O HOLES H=5,5	2,00			--
0026	MOMO28716		MOT.BD302 1000W 220-240V 50-60HZ	2,00	21/10/2019		--
0027	GUGO28683		"L" GASKET W/O HOLES H=5,5	2,00			--
0028	VTVT71961		SCREW PFU TMT PHL 5X20 ZN NERA	4,00			--
0029	GUGO28683		"L" GASKET W/O HOLES H=5,5	1,00			--
0030	MPVR07346		FAKE MOTOR	1,00			--
0031	FTDP38057		ANTINOISE TRIANGLE H=51	3,00			--
0032	FTDP28745		GASKET MTP/30 AU-AD 50X10X85	3,00			--
0033	MPVR28748		AUTOMATIC VALVE	2,00			--
0034	MPVR38058		BASE CAP	1,00			--
0035	MPVR38059		BASE 600/400 W/STAT.PLATE BLACK	1,00			--
0036	MEVR29329		ADD.SOCKET PROTECTION	1,00			--
0037	MEVR29330		SCREWED ADDITIONAL SOCKET	1,00			--
0038	VTVT01091		SCREW TSP W/ACC. M 3X16 UNI6109	2,00	21/06/2019		--
0039	MPVR12331		SPACER PLASTIC D.10 D.6,3X20	2,00	16/01/2019		--
0040	METK41830		THERMOREGULATOR MAX T.85 C	1,00			--



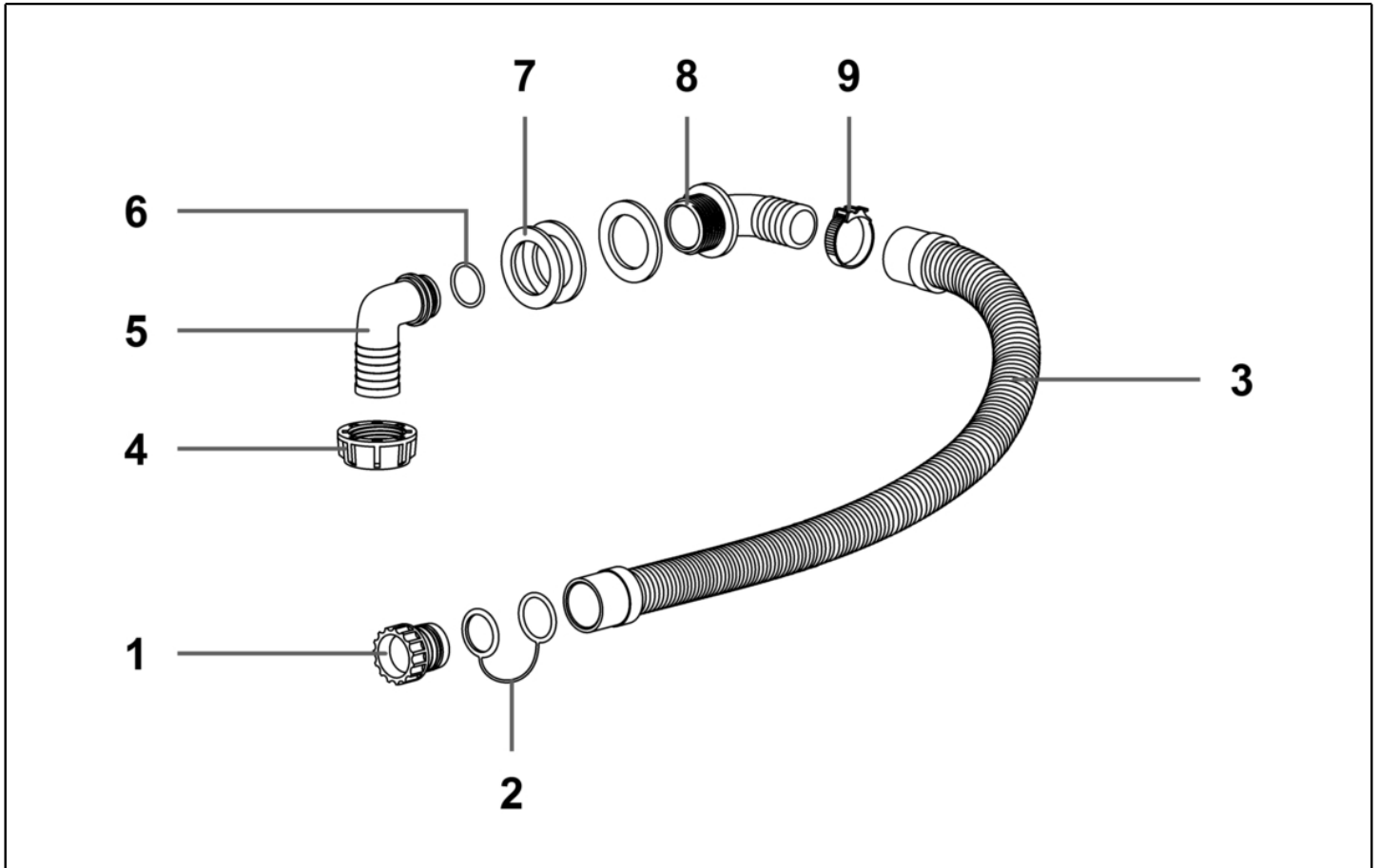
Ref. K	Part n.	Part n. 2	Description	Quantity	Validity		Price
					From	To	
0041	MEVR41831		THERM. PROBE	1,00			--



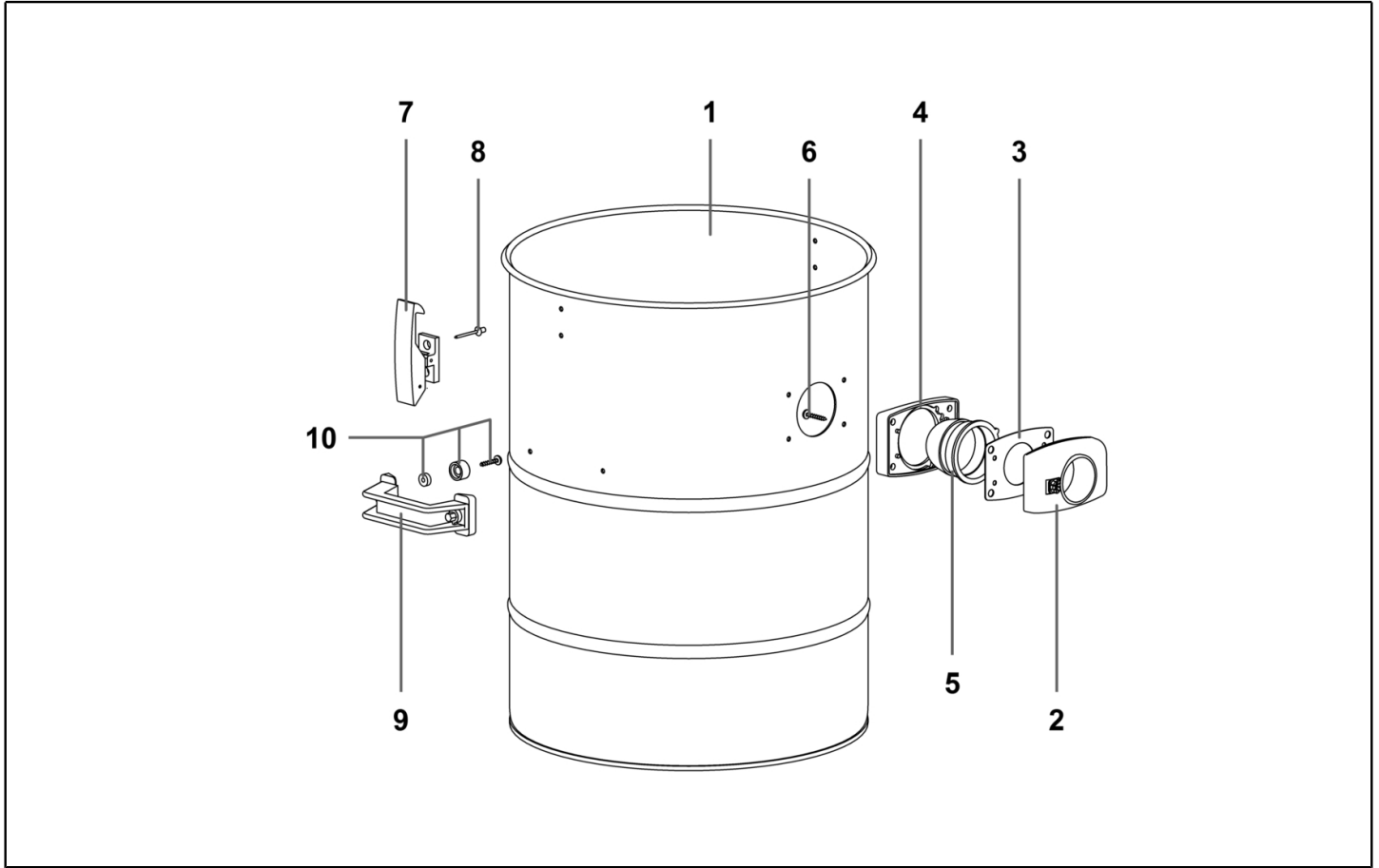
Ref. K	Part n.	Part n. 2	Description	Quantity	Validity		Price
					From	To	
A	FTDP28733		KIT RING+FILT+BASK.400 CONIC.SAN	1,00			--
0001	MPVR35807		FILTER RING 400	1,00			--
0002	FTDP00523		FILTER POLY AN4-600 CON REG H320	1,00			--
0003	MPVR09199		CONICAL BASKET 400	1,00			--
0004	MPVR40521		NET ANTIFOAM BODY HIGH	1,00			--
0005	RCGR40008		HIGH FLOAT 99 W/GASKET 37 SHA	1,00			--
0006	MPVR35796		BUSHING PLASTIC SLEEVE D.8	4,00			--
0007	VTVT36751		SCREW SCREW PAT TMT PHL 5X25	4,00			--



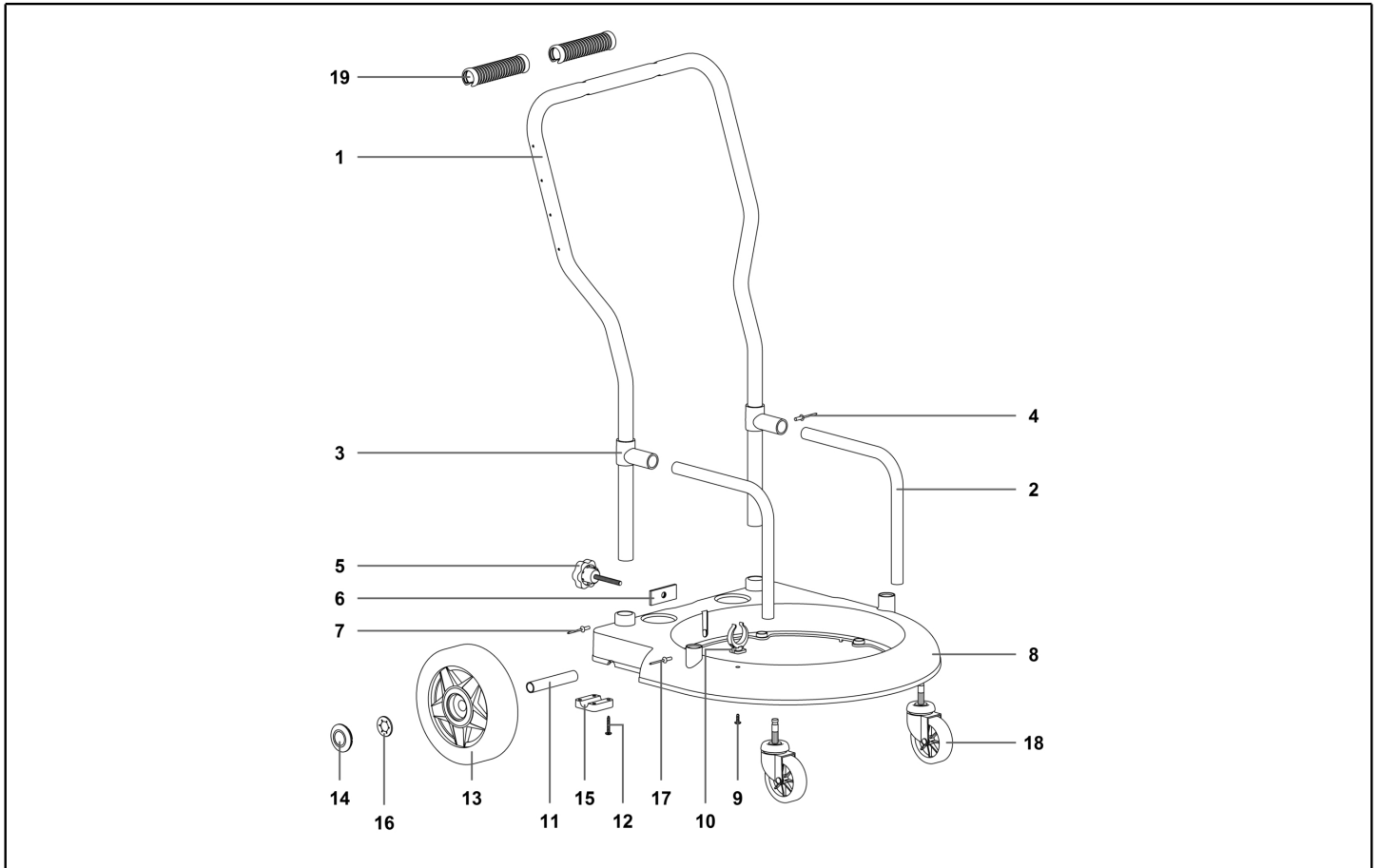
Ref. K	Part n.	Part n. 2	Description	Quantity	Validity		Price
					From	To	
0001	MPVR06185		CL.WATER DRUM	1,00			--
0002	FTDT72115		COMPLETE DIP FILTER	1,00			--
0003	RCDS72165		DIP LOCKING FILTER	1,00			--
0004	MEVR02216		FAIR-LEAD LONG	1,00			--
0005	TBBP72261		HYDROLITIC HOSE 8x5 PER METER	1,10			--
0006	FSVR38348		PLAST CLIP D.8	1,00			--
0007	RCIN38912		BRASS QUICK COUPLING P.G5,2	1,00			--
0008	MPVR87032		TANK CAP	1,00			--
0009	VTRS13947		WASHER D. 8 INX UNI 6592	1,00			--
0010	FSVR72112		STRICK CLIP 7-9	1,00			--
0011	MPVR40140		FILLING PIPE 1-1/4"	1,00			--
0012	GUGO41219		GASKET 60X40X4	1,00			--
0013	MPVR41218		RING 1-1/4"	1,00			--
0014	GUVR40018		CAP GASKET	1,00			--
0015	RCVR40015		CAP 1-1/4"	1,00			--



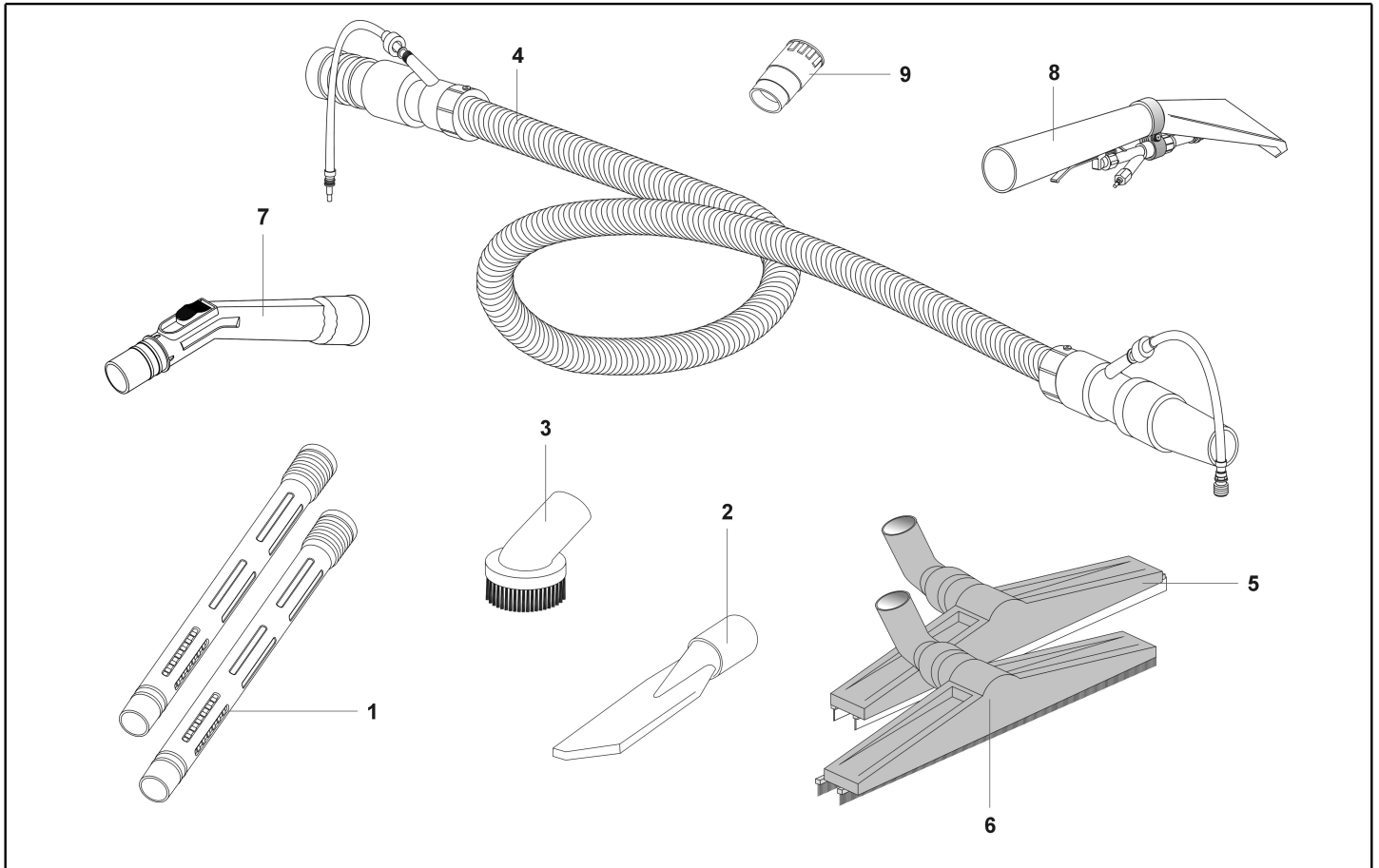
Ref. K	Part n.	Part n. 2	Description	Quantity	Validity		Price
					From	To	
0001	MPVR10436		PLASTIC TOP D.40 X 35 C/OR COMPL.	1,00			--
0002	MPVR41222		TIE ROD CAP	1,00			--
0003	TBFX41220		DRAIN TUBE D.34 L=600	1,00			--
0004	RCVR00341		CONNECTION 1-1/4"	1,00			--
0005	RCVR00756		CONNECTOR -	1,00			--
0006	GUGO00345		O-RING 28 X 2,5 NBR	1,00			--
0007	GUGO41219		GASKET 60X40X4	3,00			--
0008	RCVR41224		RUBBER HOLDER UNION CURVED 90°1-1/4	1,00			--
0009	FSVR00074		CLIP 300X9	1,00			--



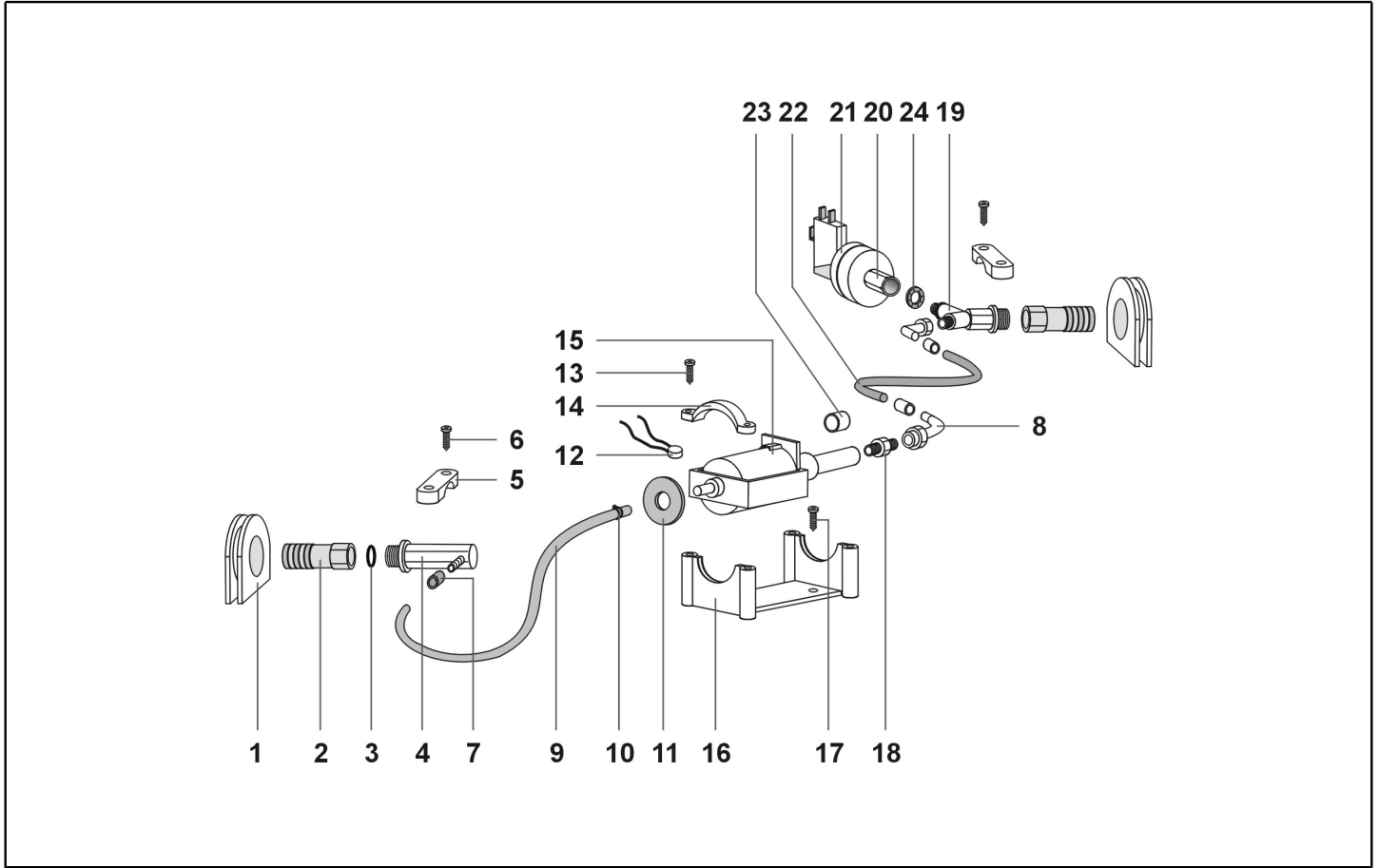
Ref. K	Part n.	Part n. 2	Description	Quantity	Validity		Price
					From	To	
0001	LAFN06533		TANK GARAGE/CALIFORN. AISI 304	1,00			--
0002	MPVR09031		PIPE UNION R155 BLACK W/PUL.AR	1,00			--
0003	GUGO28701		GASKET D.38	1,00			--
0004	GUGO28736		GASKET R 205 BLACK	1,00			--
0005	MPVR28696		DEFLECTOR 99	1,00			--
0006	VTVT71966		SCREW PAT TMT PHL 5X30 BLACK	4,00			--
0007	CHVR28735		COMPLETE PLASTIC HOOK BLACK	2,00			--
0008	VTVR71991		RIVET 5X11	4,00			--
0009	MPVR28737		BLACK HANDLE	2,00			--
0010	RIGE00015		COMPLETE SEAL W/SCREW L=25	4,00			--



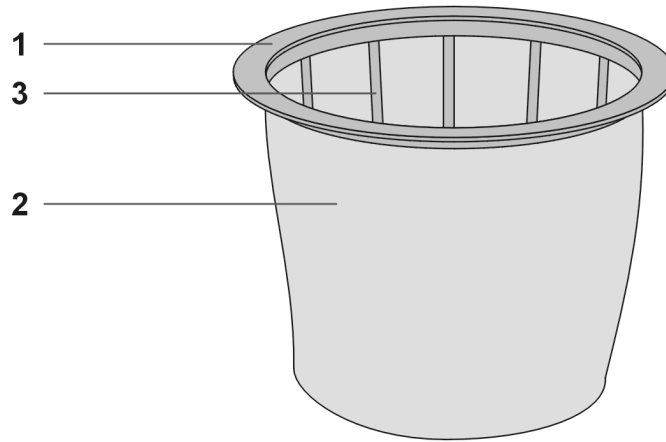
Ref. K	Part n.	Part n. 2	Description	Quantity	Validity		Price
					From	To	
0001	LAFN09734		HANDLE MARKET 400 BLACK	1,00			--
0002	MPVR02240		VARNISHED SUPPORT TUBE	2,00			--
0003	LAFN03247		HOSE T ST.MKT	2,00			--
0004	VTVR00396		RIVET 4,8X17 BLACK	2,00			--
0005	VTVR00162		HAND-WHEEL M 8X60	1,00			--
0006	LAFN06613		PLATE LOCKING THREADED	1,00			--
0007	VTVR00396		RIVET 4,8X17 BLACK	2,00			--
0008	MPVR08479		TROLLEY BODY 400 MARKET B	1,00			--
0009	VTVT71960		SCREW SCREW PAT TMT PHL 5X14 ZN	1,00			--
0010	FsvR41221		LIRA CLAMP D.34	1,00			--
0011	LAFN09549		WHEEL PIN D.18X105 SP.1.5 ZN	2,00			--
0012	VTVT71966		SCREW PAT TMT PHL 5X30 BLACK	8,00			--
0013	RTRT85069		REAR WHEEL D.200	2,00			--
0014	MPVR85070		WHEEL CAP D.200/250 BLACK	2,00			--
0015	MPVR28774		LOCK PIVOT BRACKET	2,00			--
0016	MPVR86321		BLOC. D.18	2,00			--
0017	VTVR00396		RIVET 4,8X17 BLACK	2,00			--
0018	RTRT40020		FRONT WHEEL D.80 W/PIVOT	2,00			--
0019	MPVR02288		PLAST.TROLLEY HANDLE	2,00			--



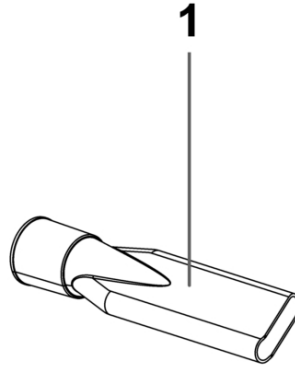
Ref. K	Part n.	Part n. 2	Description	Quantity	Validity		Price
					From	To	
0001	LAFN43048		EXTENSION FOR VACUUM CLEANER	2,00			--
0002	SPPV00156		FLAT LANCE D.38	1,00			--
0003	SPPV43052		ROUND TOOL D.38	1,00			--
0004	TBFX01112		FLEXIBLE HOSE 38 MT.2,5 C/ID.ESTR.INN/O	1,00			--
0005	SPPV43051		CURVED WET TOOL 400 D.38	1,00			--
0006	SPPV43050		BRISTLES BRUSH D.40	1,00			--
0007	MPVR43047		EXTENSION CURVED EXTENSION	1,00			--
0008	SPPV28251		UPHOLSTERY TOOL W/BRASS FITTING	1,00			--
0009	MPVR43049		PVC ADAPTOR D.38	1,00			--



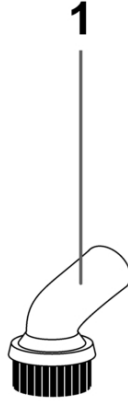
Ref. K	Part n.	Part n. 2	Description	Quantity	Validity		Price
					From	To	
0001	MEVR86518		GUIDING SLIT LAVA	2,00			--
0002	RCIN38910		QUICK SOCKET 1/4"F	2,00			--
0003	GUGO72029		O RING 9	2,00			--
0004	RCVR46960		PLAST."L" COUPLING	1,00			--
0005	MPVR28794		FIXING BOLT CONN.	2,00			--
0006	VTVT72055		SCREW PFU TMT PHL 5X25 ZN BLACK	4,00			--
0007	FSVR38348		PLAST.CLIP D.8	3,00			--
0008	RCVR00850		PL.CONNECTOR COUPLING 1/8"F-PG5,2	2,00			--
0009	TBBP72261		HYDROLITIC HOSE 8x5 PER METER	0,12			--
0010	FSVR72111		CLIP 9,3-9,9	1,00			--
0011	GUGO28799		RUBBER WASHER D.32X13X3	2,00			--
0012	METK42457		THERMAL PROTECTION	1,00		03/09/2020	--
0012	METK00058		THERMAL PROTEC. 220-240V CABLATO	1,00	04/09/2020		--
0013	VTVT72055		SCREW PFU TMT PHL 5X25 ZN BLACK	4,00			--
0014	LAFN28797		"U" PUMP BRACKET	2,00			--
0015	MEPD00004		"U" PUMP 230 V.50 HZ	1,00			--
0016	LAFN28798		"U" PUMP SUPPORT	1,00			--
0017	VTVT72207		SCREW PAT TMT PHL 5X25 BLACK	2,00			--
0018	RCVR00848		NIPPLE PLAST 1/8"	1,00			--
0019	RCVR01080		PLAST."Y" COUPLING 2 WAYS	1,00			--
0020	RCVR72251		NIPPLE 1/4" F. 1/8" F.	1,00			--
0021	MEPF72220		PRESSURE SWITCH GP110	1,00			--
0022	TBBP72261		HYDROLITIC HOSE 8x5 PER METER	0,15			--
0023	LAFN86519		METAL BUSH 16X12	1,00			--
0024	VTRS00168		TOOTHED WASHER M10 UNI 8842	1,00			--



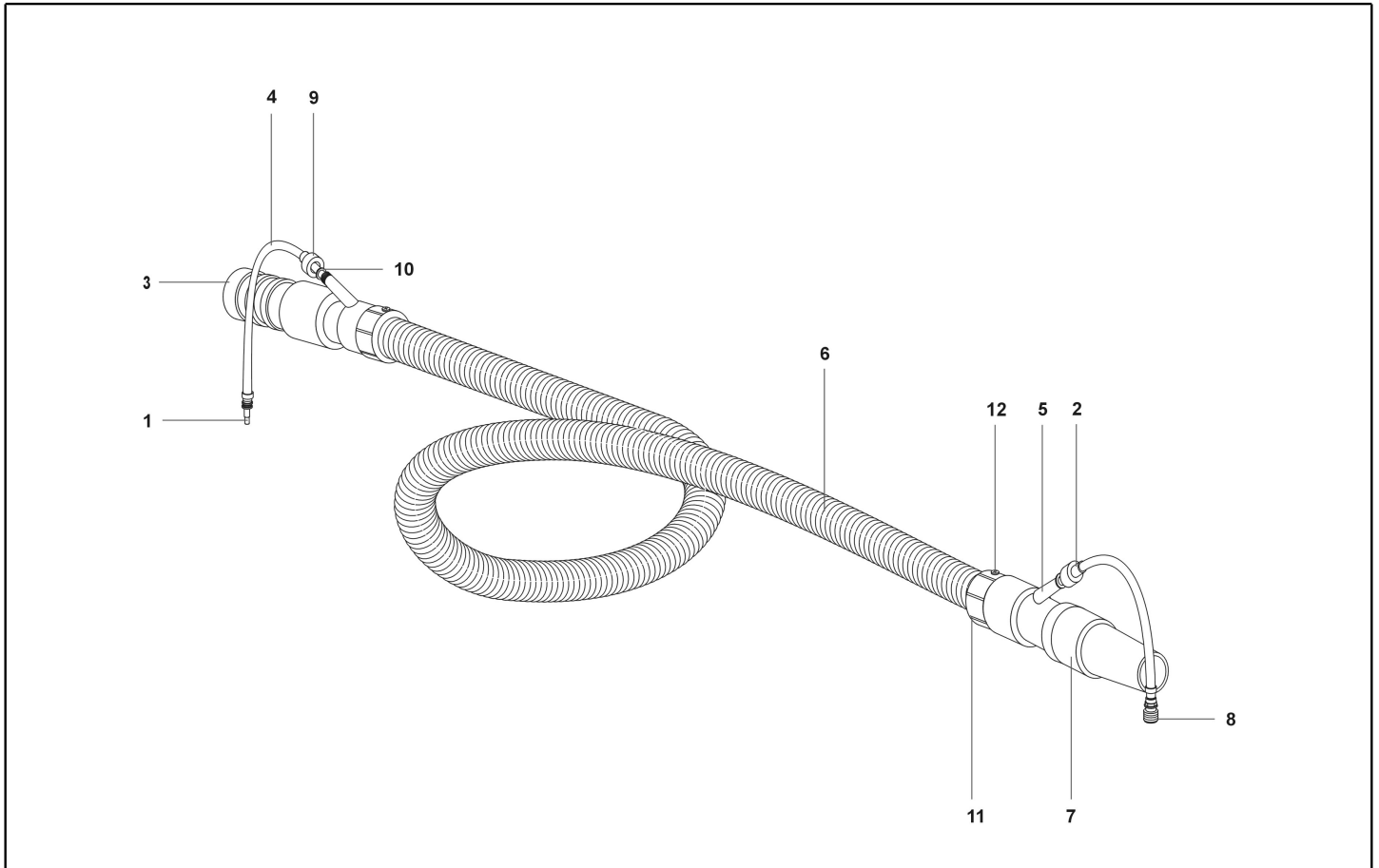
Ref. K	Part n.	Part n. 2	Description	Quantity	Validity		Price
					From	To	
0001	MPVR35807		FILTER RING 400	1,00			--
0002	FTDP00523		FILTER POLY AN4-600 CON REG H320	1,00			--
0003	MPVR09199		CONICAL BASKET 400	1,00			--



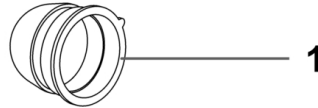
Ref. K	Part n.	Part n. 2	Description	Quantity	Validity		Price
					From	To	
0001	SPPV00156		FLAT LANCE D.38	2,00			--
0001	SPPV00156		FLAT LANCE D.38	2,00			--



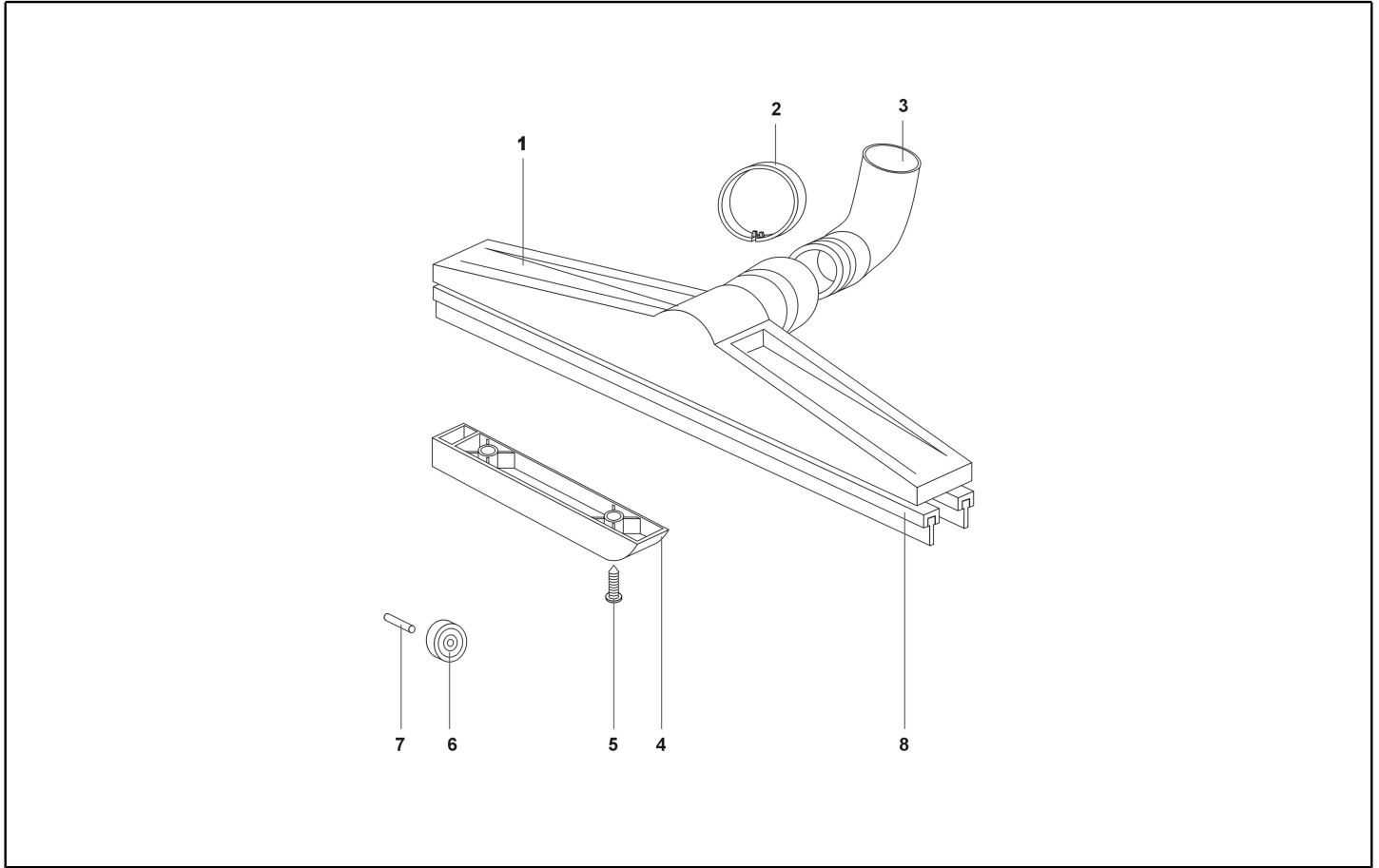
Ref. K	Part n.	Part n. 2	Description	Quantity	Validity		Price
					From	To	
0001	SPPV43052		ROUND TOOL D.38	1,00			--
0001	SPPV43052		ROUND TOOL D.38	1,00			--



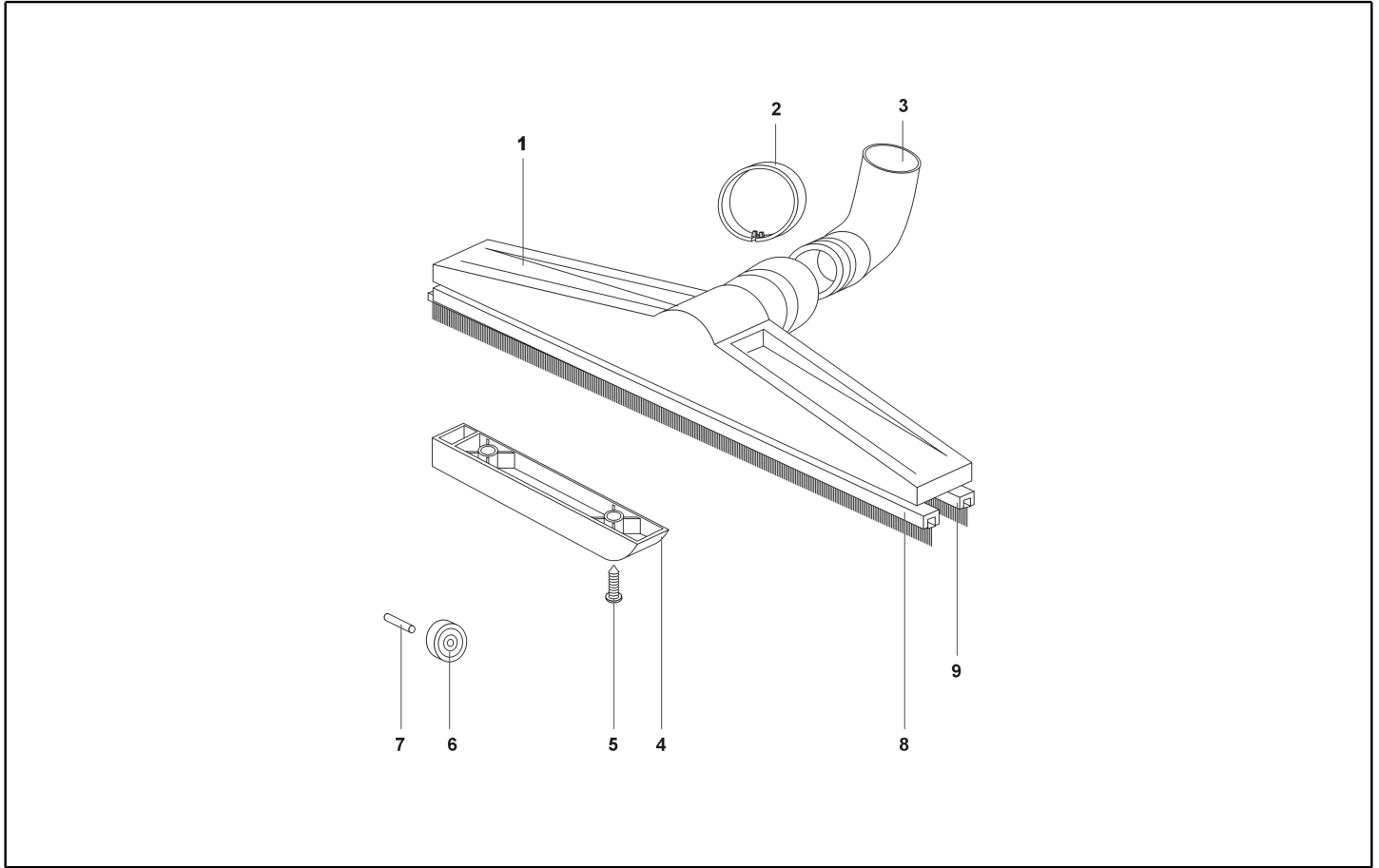
Ref. K	Part n.	Part n. 2	Description	Quantity	Validity		Price
					From	To	
0001	RCIN38912		BRASS QUICK COUPLING P.G5,2	1,00			--
0002	FSVR38348		PLAST.CLIP D.8	2,00			--
0003	MPVR07479		SLEEVE TUBOFLEX D.38/D.38 C/OR	1,00			--
0004	TBBP72261		HYDROLITIC HOSE 8x5 PER METER	3,20			--
0005	MPVR06579		COUPLING D.38 FOR RILSAN TUBE	2,00			--
0006	TBFX01106		FLEXIBLE HOSE 38 MT.2,5 G55 TYPE 3	1,00			--
0007	RCVR72221		ROTATING CUFF D.38/D.38	1,00			--
0008	RCIN35828		BRASS QUICK SOCKET C/V-P.G.5,2	1,00			--
0009	MPVR06821		RING 3/8" F/FLEX HOSE	2,00			--
0010	VTRS72168		RUBBER WASHER D.15X9,5X1,5	2,00			--
0011	MPVR05666		RING NUT THREADED D.38	2,00			--
0012	VTVT01189		SCREW AUT.TC PHL 3,9X13 STAIN.	2,00			--



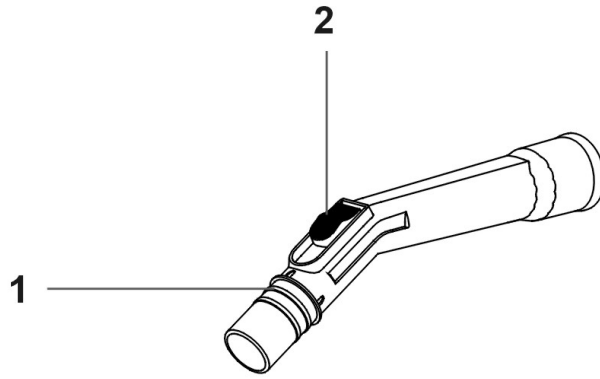
Ref. K	Part n.	Part n. 2	Description	Quantity	Validity		Price
					From	To	
0001	MPVR28696		DEFLECTOR 99	1,00			--
0001	MPVR28696		DEFLECTOR 99	1,00			--



Ref. K	Part n.	Part n. 2	Description	Quantity	Validity		Price
					From	To	
0001	MPVR06726		BRUSH BODY 400	1,00			--
0002	MPVR49176		ELASTIC RING NUT BRUSH 400	1,00			--
0003	MPVR02289		BRUSH 400 ELBOW CLUTCH D.38	1,00			--
0004	MPVR06728		WHEEL HOLDER SUPPORT BRUSH 400	2,00			--
0005	VTVT01193		SCREW PAT TMT PHL 5X15 ZN BLACK	4,00			--
0006	RTRT87117		WHEEL D.25 BRUSH 300/400	2,00			--
0007	LAFN86068		PIVOT 5 X 17,5 ZN	2,00			--
0008	MPVR38641		GUIDE LIST W/WET L=395	2,00			--



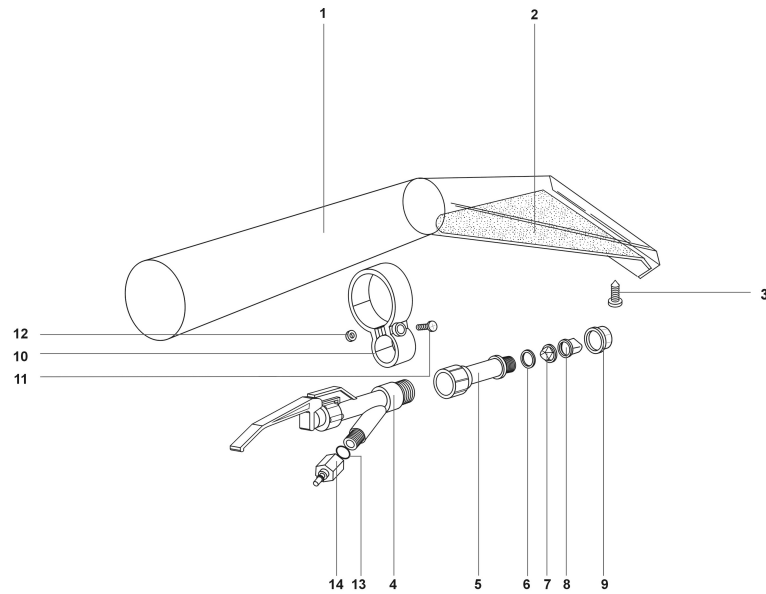
Ref. K	Part n.	Part n. 2	Description	Quantity	Validity		Price
					From	To	
0001	MPVR06726		BRUSH BODY 400	1,00			--
0002	MPVR49176		ELASTIC RING NUT BRUSH 400	1,00			--
0003	MPVR02289		BRUSH 400 ELBOW CLUTCH D.38	1,00			--
0004	MPVR06728		WHEEL HOLDER SUPPORT BRUSH 400	2,00			--
0005	VTVT01193		SCREW PAT TMT PHL 5X15 ZN BLACK	4,00			--
0006	RTRT87117		WHEEL D.25 BRUSH 300/400	2,00			--
0007	LAFN86068		PIVOT 5 X 17,5 ZN	2,00			--
0008	SPPV76601		STRIP L=395	1,00			--
0009	SPPV76599		GUIDE LIST W/STRIP L=395	1,00			--



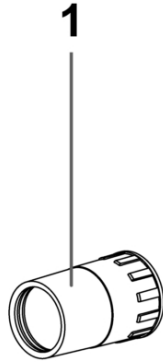
Ref. K	Part n.	Part n. 2	Description	Quantity	Validity		Price
					From	To	
0001	MPVR10505		CURVE PLAST DIA 38	1,00			--
0002	MPVR06762		PUSH BUTTON AIR REGULATION G5	1,00			--



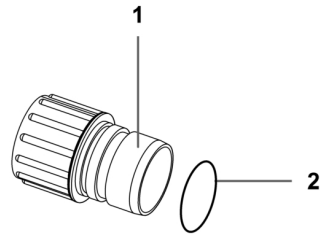
Ref. K	Part n.	Part n. 2	Description	Quantity	Validity		Price
					From	To	
0001	VTVT36751		SCREW SCREW PAT TMT PHL 5X25	1,00			--
0001	VTVT36751		SCREW SCREW PAT TMT PHL 5X25	1,00			--



Ref. K	Part n.	Part n. 2	Description	Quantity	Validity		Price
					From	To	
0001	MPVR11513		OPENING BODY D.36/38 TRASPARENTE NEW	1,00	14/01/2019		--
0002	MPVR11648		SMALL PLATE BOCCHETTA NEW	1,00	14/01/2019		--
0003	VTVT01189		SCREW AUT.TC PHL 3,9X13 STAIN.	4,00			--
0004	RCGR86949		LEVER COCK COMPL.	1,00			--
0005	RCVR31726		EXTENSION 3/8"-1/4"	1,00			--
0006	VTRS72168		RUBBER WASHER D.15X9,5X1,5	1,00			--
0007	FTDT31725		INOX JET FILTER	1,00			--
0008	UGLN30851		PL.NOZZLE C1 02/80°	1,00			--
0009	MPVR31724		RING 3/8"F	1,00			--
0010	MPVR31723		COCK SUPPORT	1,00			--
0011	VTVT85000		SCREW M 5X25	1,00			--
0012	VTDD71969		NUT NUT M 5	1,00			--
0013	GUGO72029		O RING 9	1,00			--
0014	RCIN38913		BRASS QUICK COUPLING 1/4" F	1,00			--



Ref. K	Part n.	Part n. 2	Description	Quantity	Validity		Price
					From	To	
0001	MPVR43049		PVC ADAPTOR D.38	1,00			--
0001	MPVR43049		PVC ADAPTOR D.38	1,00			--



Ref. K	Part n.	Part n. 2	Description	Quantity	Validity		Price
					From	To	
0001	MPVR13223		SLEEVE TUBOFLEX D.38/D.38	1,00	11/06/2021		--
0002	GUGO00408		O-RING D.INT. 44,12X2,62 NBR	1,00			--