



IPC

Spare parts list

Ref: ASDO40028

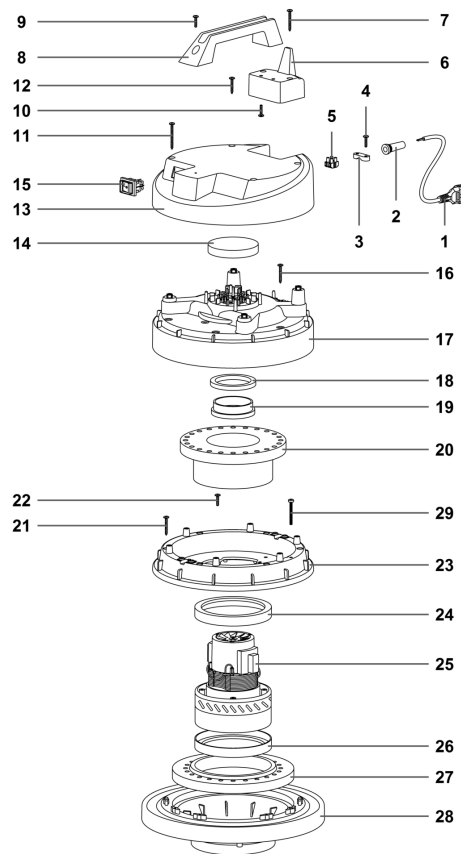
Model: ASPIRAP MIRA.1 W1 26S 230-5/60 3-05PRT



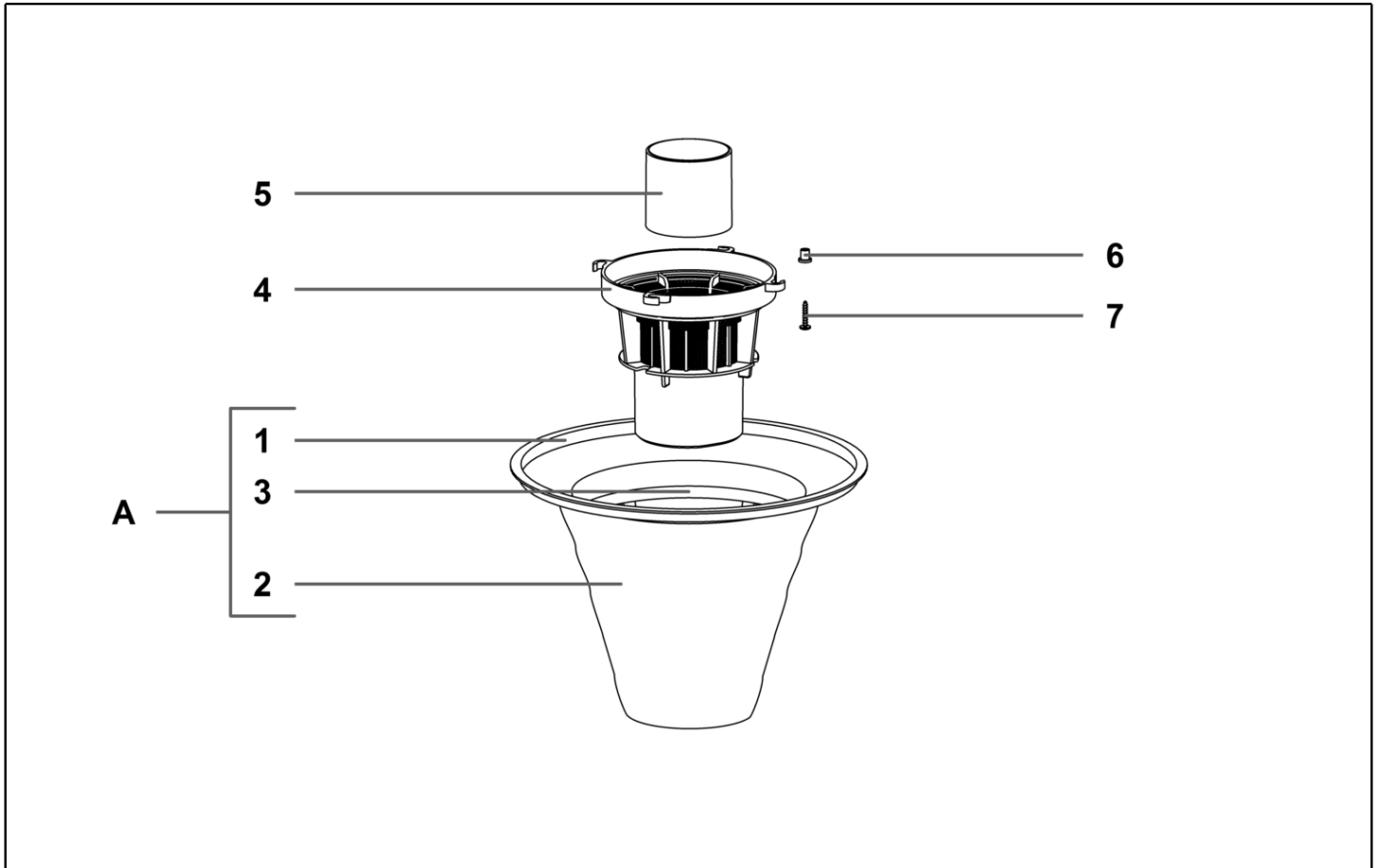
IPC Integrated Professional Cleaning

IPC Soteco

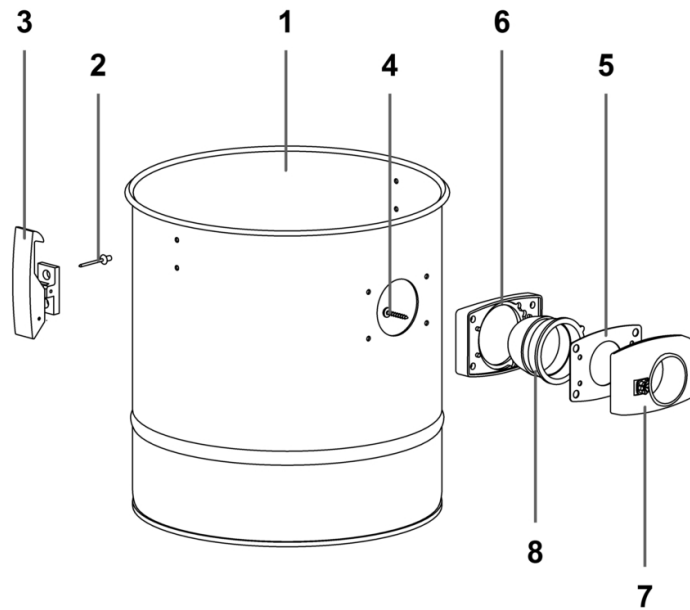
| Ref. K | Part n. | Part n. 2 | Description | Quantity | Validity | | Price |
|--------|-----------|-----------|-------------------------------------|----------|----------|----|-------|
| | | | | | From | To | |
| 0001 | PMTA05934 | | TESTATA NEVADA 215/515 (PORTO) | 1,00 | | | -- |
| 0002 | KTRI04088 | | KIT FILTRANTE 500 CONICO SAN.COMPL. | 1,00 | | | -- |
| 0003 | LAFN10692 | | FUSTO 215 AISI 430 COMPLETO | 1,00 | | | -- |
| 0004 | CARR01578 | | CARRELLO 200/500 QUADRO NERO | 1,00 | | | -- |



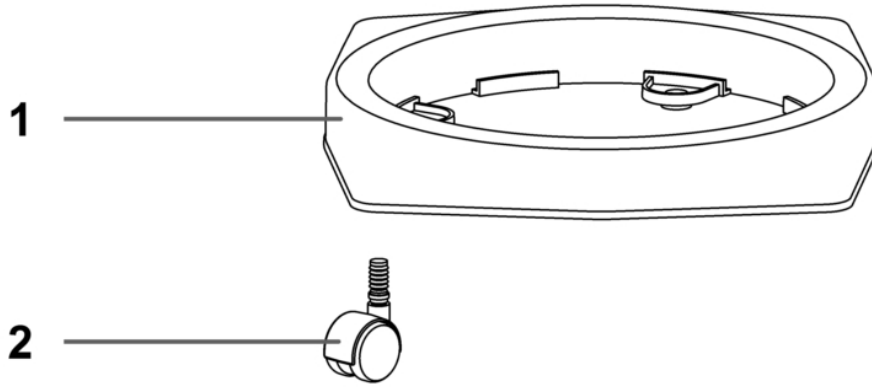
| Ref. K | Part n. | Part n. 2 | Description | Quantity | Validity | | Price |
|--------|-----------|-----------|-----------------------------------|----------|----------|----|-------|
| | | | | | From | To | |
| * | FSVR00127 | | FASCETTA | 1,00 | | | -- |
| * | MECB35712 | | CAVETTO C/RESISTENZE | 1,00 | | | -- |
| * | MECB01828 | | CABLAGGIO 40CM MOTORE POKE-IN-TP | 1,00 | | | -- |
| 0001 | MECB28672 | | CAVO ELETTRICO 2X1 MT.8,5 | 1,00 | | | -- |
| 0002 | MEVR28673 | | PASSACAPO | 1,00 | | | -- |
| 0003 | MPVR28690 | | BLOCCA CAVO | 1,00 | | | -- |
| 0004 | VTVT71961 | | VITE PFU TMT PHL 5X20 ZN NERA P/R | 2,00 | | | -- |
| 0005 | MECB01161 | | MORSETT. 300-500 2P RAD | 1,00 | | | -- |
| 0006 | MPVR09238 | | GANCIO P/CAVO NEV.200 NERO | 1,00 | | | -- |
| 0007 | VTVT72106 | | VITE PAT TMT PHL 5X40 ZN NERA | 2,00 | | | -- |
| 0008 | MPVR28675 | | MANIGLIA NEVADA 200 NERA | 1,00 | | | -- |
| 0009 | VTVT71961 | | VITE PFU TMT PHL 5X20 ZN NERA P/R | 1,00 | | | -- |
| 0010 | VTVT71961 | | VITE PFU TMT PHL 5X20 ZN NERA P/R | 2,00 | | | -- |
| 0011 | VTVT32295 | | VITE PAT TMT PHL 5X50 ZN NERA | 2,00 | | | -- |
| 0012 | VTVT71966 | | VITE PAT TMT PHL 5X30 ZN NERA | 2,00 | | | -- |
| 0013 | MPVR28676 | | COPERCHIO NEV.200 ROSSO NORMALE | 1,00 | | | -- |
| 0014 | FTDP38064 | | FILTRO MTP/65 H=15 D.95 | 1,00 | | | -- |
| 0015 | MECI72195 | | INTERRUTTORE ANTISPRUZZO | 1,00 | | | -- |
| 0016 | VTVT71971 | | VITE PAT TMT PHL 5X35 ZN NERA | 6,00 | | | -- |
| 0017 | MPVR28711 | | COPERTURA 99 S/FORI NERA *v.note | 1,00 | | | -- |
| 0018 | MPVR38371 | | RONDELLA H8 D85X65 | 1,00 | | | -- |
| 0019 | MPVR86282 | | ANELLO MOTORE H=7 (15) PLAST. | 1,00 | | | -- |
| 0020 | FTDP38066 | | FILTRO FONO H=75 | 1,00 | | | -- |
| 0021 | VTVT71971 | | VITE PAT TMT PHL 5X35 ZN NERA | 6,00 | | | -- |
| 0022 | VTVT71961 | | VITE PFU TMT PHL 5X20 ZN NERA P/R | 4,00 | | | -- |
| 0023 | MPVR40520 | | FERMAMOTORE 500 ROSSO NORMALE | 1,00 | | | -- |
| 0024 | GUGO28683 | | GUARNIZIONE A L S/F H=5,5 | 1,00 | | | -- |
| 0025 | MOMO28716 | | MOT BD302 1000W 220-240 50/60 AL | 1,00 | | | -- |
| 0026 | GUGO28683 | | GUARNIZIONE A L S/F H=5,5 | 1,00 | | | -- |
| 0027 | FTDP38067 | | RONDELLA MTP 65MM.18D.230X145 | 1,00 | | | -- |
| 0028 | MPVR38068 | | BASAMENTO 500 C/GUARN.E PIA. NERO | 1,00 | | | -- |
| 0029 | VTVT01272 | | VITE TC CROCE M 5X45 UNI 7687 | 1,00 | | | -- |



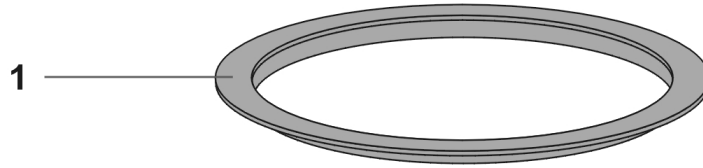
| Ref. K | Part n. | Part n. 2 | Description | Quantity | Validity | | Price |
|--------|-----------|-----------|-------------------------------------|----------|----------|----|-------|
| | | | | | From | To | |
| A | KTRI02943 | | KIT ANELLO+FIL+CEST.500 CONICO SAN. | 1,00 | | | -- |
| 0001 | MPVR36522 | | ANELLO PORTAFILTRO SERIE 500 | 1,00 | | | -- |
| 0002 | FTDP00534 | | FIL-TES POLY AN3-500 CON REG H230 | 1,00 | | | -- |
| 0003 | MPVR37038 | | CESTELLO 300 CONICO | 1,00 | | | -- |
| 0004 | MPVR40521 | | CORPO ANTISCHIUMA RETE ALTO | 1,00 | | | -- |
| 0005 | RCGR40008 | | GALLEGGIANTE 99 ALTO C/GUARN 37 SHA | 1,00 | | | -- |
| 0006 | MPVR35796 | | BUSSOLA D.8 PLAST. | 4,00 | | | -- |
| 0007 | VTVT36751 | | VITE PAT TMT PHL 5X25 INOX | 4,00 | | | -- |



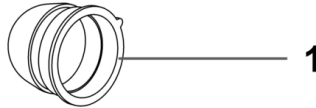
| Ref. K | Part n. | Part n. 2 | Description | Quantity | Validity | | Price |
|--------|-----------|-----------|--------------------------------|----------|----------|----|-------|
| | | | | | From | To | |
| 0001 | LAFN72150 | | FUSTO 215 AISI 430 | 1,00 | | | -- |
| 0002 | VTVR71991 | | RIVETTO 05X11 | 4,00 | | | -- |
| 0003 | CHVR28735 | | GANCIO PLAST.COMPL. NERO | 2,00 | | | -- |
| 0004 | VTVT71966 | | VITE PAT TMT PHL 5X30 ZN NERA | 4,00 | | | -- |
| 0005 | GUGO28701 | | GUARNIZIONE D.38 | 1,00 | | | -- |
| 0006 | GUGO28736 | | GUARNIZIONE R 205 NERA | 1,00 | | | -- |
| 0007 | MPVR72109 | | BOCCHETTONE R155 NERO C/PUL.RN | 1,00 | | | -- |
| 0008 | MPVR28696 | | DEFLETTORE 99 | 1,00 | | | -- |



| Ref. K | Part n. | Part n. 2 | Description | Quantity | Validity | | Price |
|--------|-----------|-----------|--------------------------------|----------|----------|----|-------|
| | | | | | From | To | |
| 0001 | MPVR07925 | | CORPO CARRELLO 500 QUADRO NERO | 1,00 | | | -- |
| 0002 | RTRT42006 | | RUOTA CARRELLO BOX | 4,00 | | | -- |



| Ref. K | Part n. | Part n. 2 | Description | Quantity | Validity | | Price |
|--------|-----------|-----------|------------------------------|----------|----------|----|-------|
| | | | | | From | To | |
| 0001 | MPVR36522 | | ANELLO PORTAFILTRO SERIE 500 | 1,00 | | | -- |
| 0001 | MPVR36522 | | ANELLO PORTAFILTRO SERIE 500 | 1,00 | | | -- |



| Ref. K | Part n. | Part n. 2 | Description | Quantity | Validity | | Price |
|--------|-----------|-----------|---------------|----------|----------|----|-------|
| | | | | | From | To | |
| 0001 | MPVR28696 | | DEFLETTORE 99 | 1,00 | | | -- |
| 0001 | MPVR28696 | | DEFLETTORE 99 | 1,00 | | | -- |