

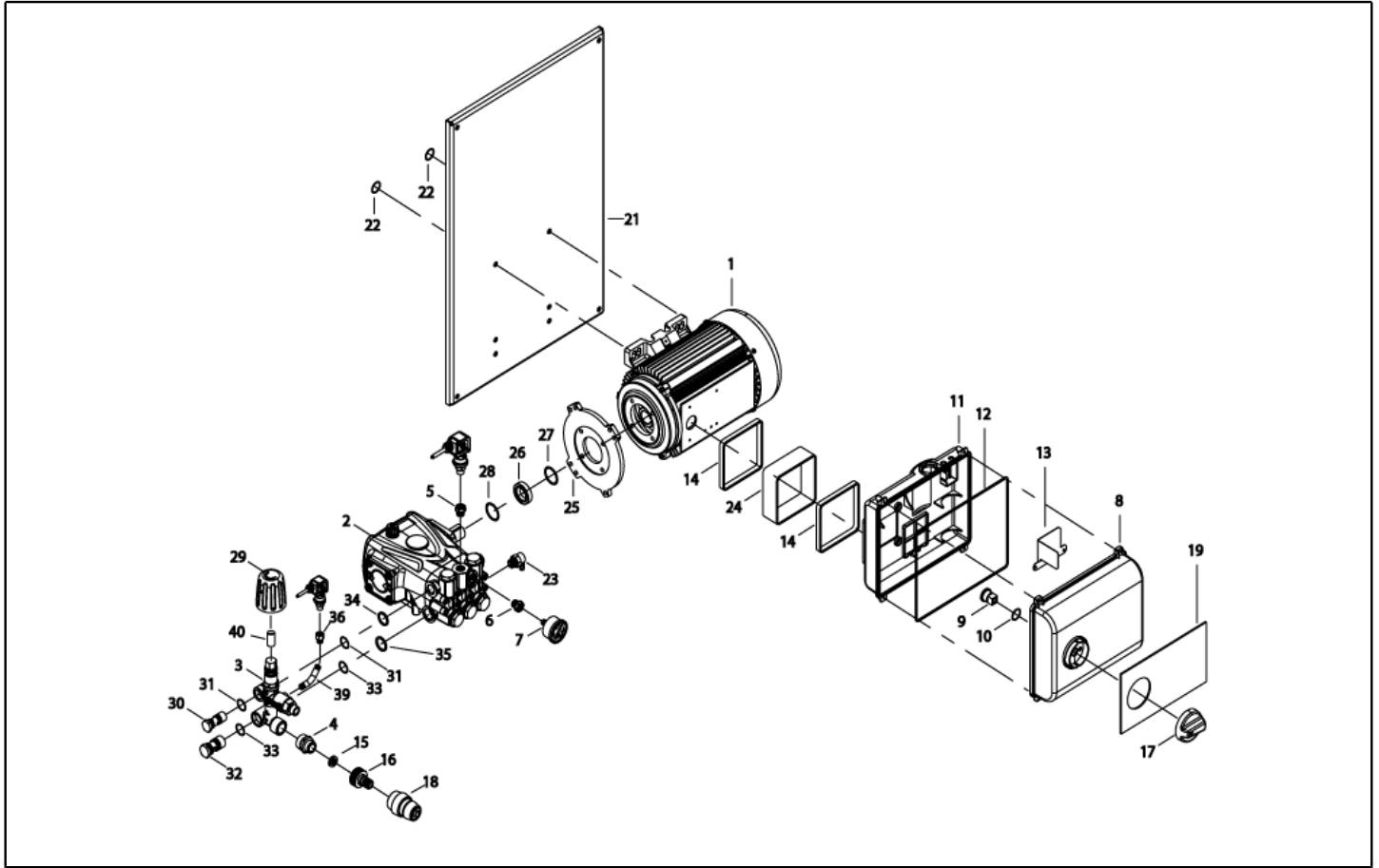


IPC

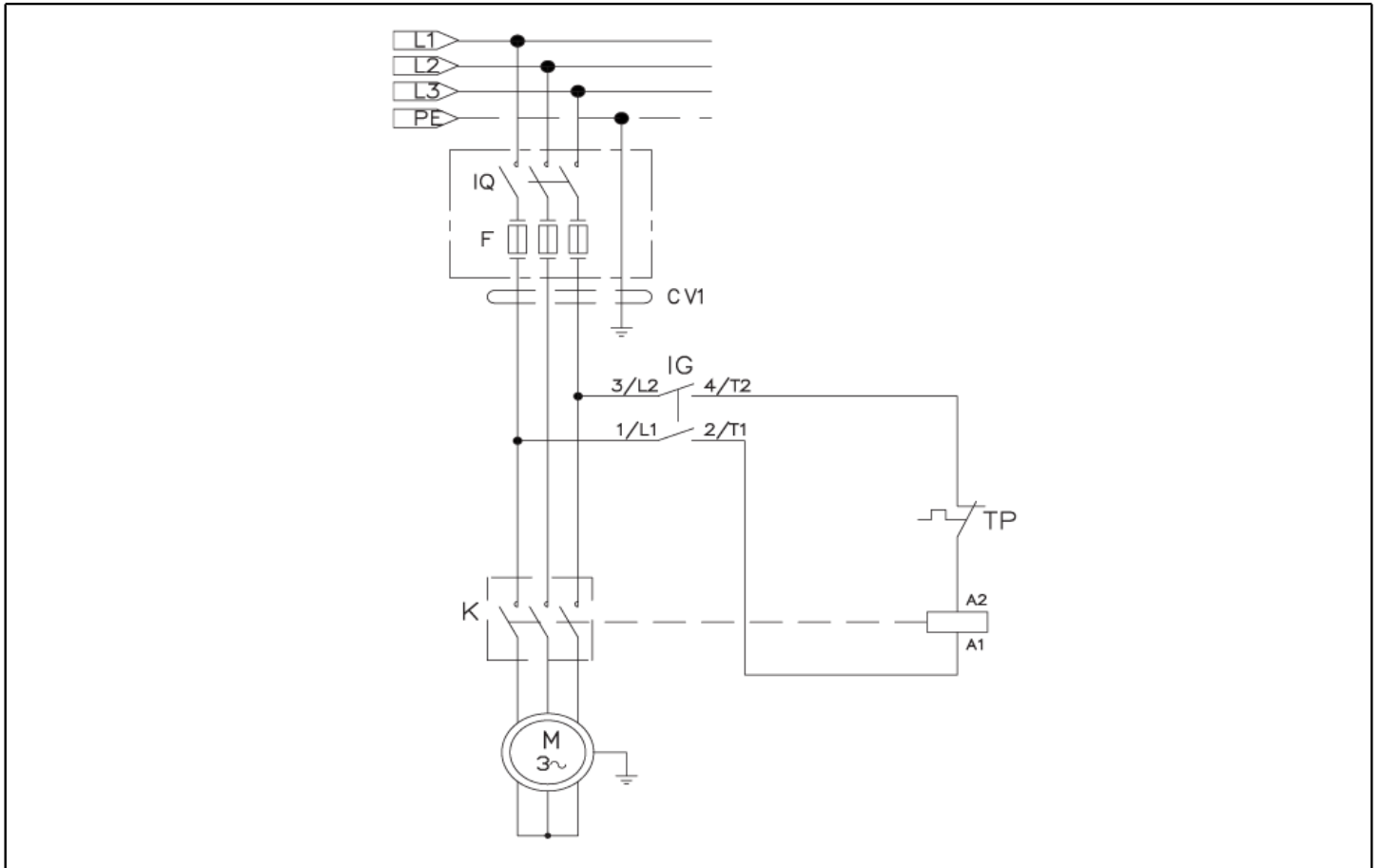
Spare parts list

Ref: PPEL40054

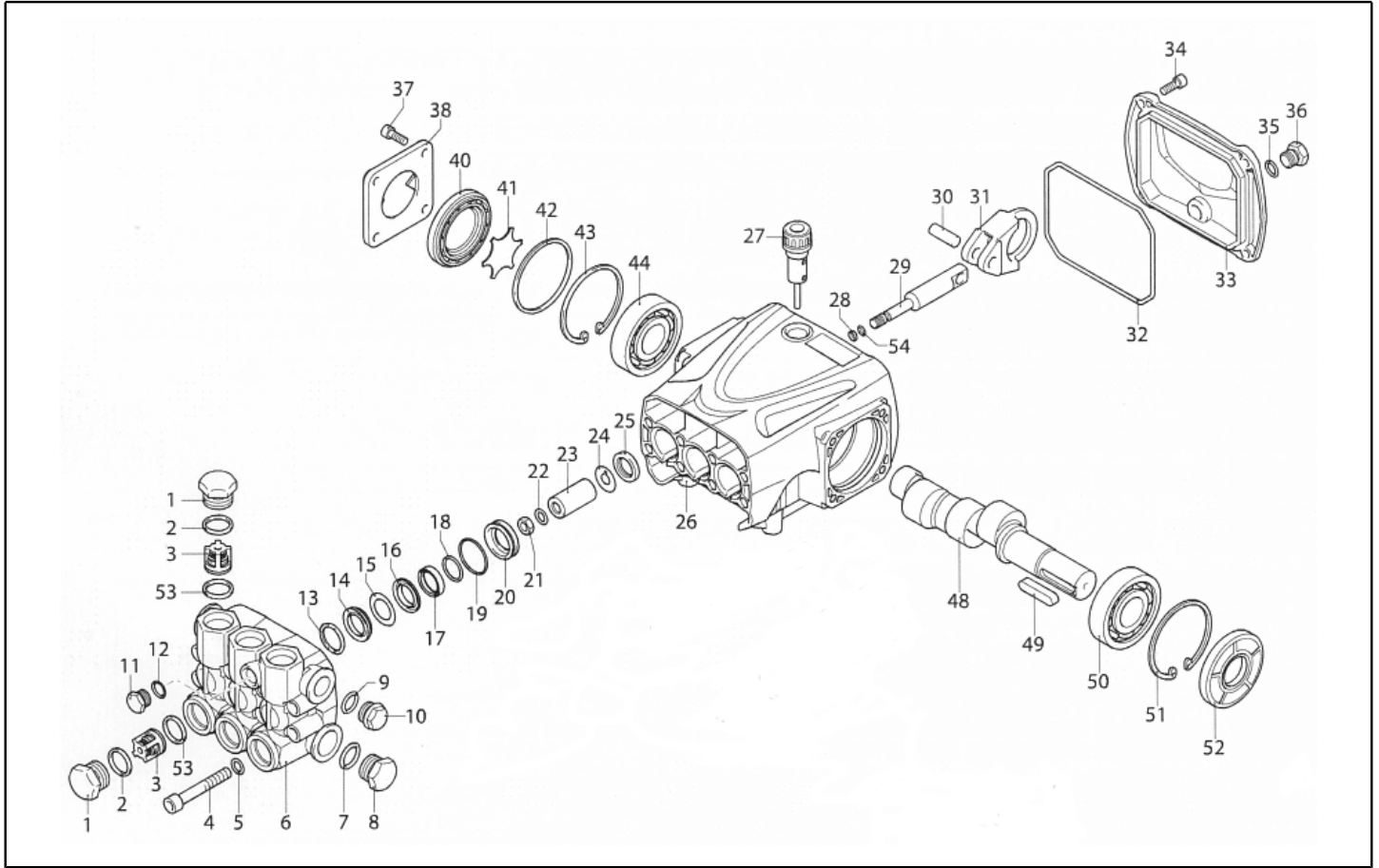
Model: H.P. CLEANER MLC-C 2117P T 400/50 IRS



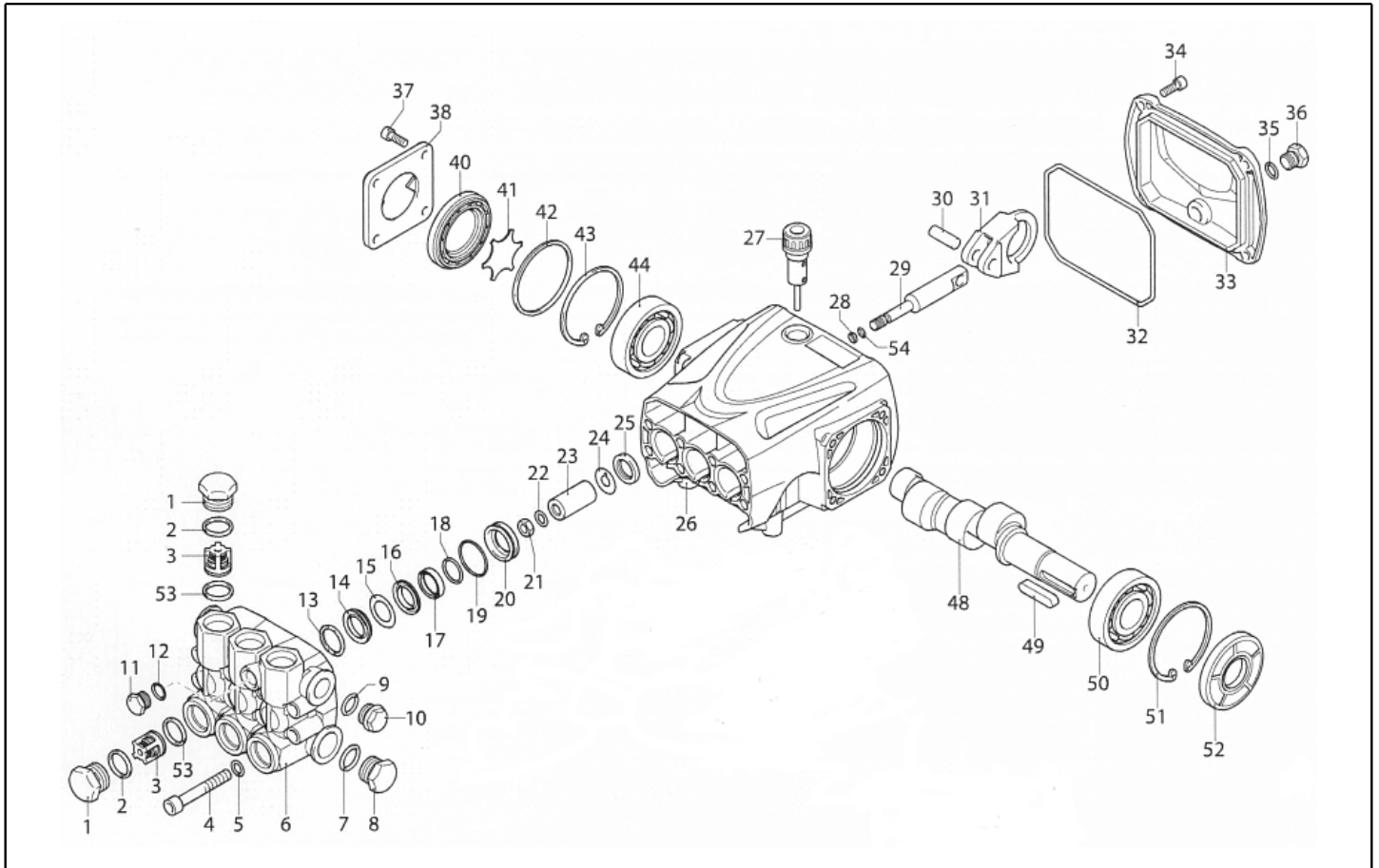
Ref. K	Part n.	Part n. 2	Description	Quantity	Validity		Price
					From	To	
0001	MOTR40030		3PH MOTOR C50 HP7.5 23-400/50C RR/K	1,00			--
0002	PPAP40058		PUMP RR 15.20 DX N	1,00		14/07/2018	--
0002	PPAP40150		PUMP RR 15.20 DX N 2V.	1,00	15/07/2018		--
0003	VVAZ40069		VALVE VRZ-RC SI	1,00			--
0004	RCDS87610		NIPPLE 3/4 - 1/2 CB D.13.0	1,00			--
0005	RCVR00644		REDUCTION 1/4-1/8 M/F	1,00			--
0007	MNMN18650		PRESSURE GAUGE 0-300 D.40	1,00			--
0008	MPVR40335		BOX COVER PW-C40 ABS BK.	1,00			--
0009	MPVR23482		SWITCH TANG TEC. TUV	1,00			--
0010	GUGO25527		O-RING D. 14 X 3 NBR 70SH	1,00			--
0011	MPVR40334		CONTROL BOX PW-C4/50 ABS BK.	1,00			--
0012	GUGO33675		JOINT MOUSSE D. 4	0,90			--
0013	LAFN40458		SUPPORT PW-C40 INX	1,00		30/06/2016	--
0013	LAFN40830		SUPPORT PW-C85 INX	1,00	01/07/2016		--
0014	GUGO10881		GASKET M.EL. 73X73	1,00			--
0014	GUGO10881		GASKET M.EL. 73X73	1,00			--
0015	FTDT12702		FILTER PA	1,00			--
0016	RCVR29600		SOCKET PTC 3/4 F	1,00			--
0017	MPVR49057		BLACK KNOB P176-M.RACE PA6	1,00			--
0018	RCVR29602		CONNECTOR D. 1/2"-5/8" PTC	1,00			--
0019	ETET40714		LABEL GR. MPU-C IPC	1,00			--
0020	RCIN03753		MALE COUPLING M22-3/8 M-FA	1,00			--
0021	LAFN40673		SUPPORT BRACKET MPU-C AL.	1,00			--
0022	MPVR37393		RUBBER D. 10-30 L=13 70SH PRM	4,00			--
0023	VVSC40021		VALVE 1/2" ML610 56° 10b.	1,00	15/05/2018		--
0023	VVSC40550		VALVE 1/2" 56°C	1,00		14/05/2018	--
0024	MPVR13033		SPACER SIC H90	1,00	10/04/2016		--
0024	MPVR40348		SPACER C50 H.22 PP	1,00		09/04/2016	--
0025	MFVR21309		COUNTERFLANGE MEC 90-100-112	1,00			--
0026	RCDS25578		BUSHING IP WWW141 OT.	1,00			--
0027	GUGO21339		O-RING D. 29.82 X 2.62 VIT 70SH	1,00			--
0028	GUGO21337		O-RING D. 25.07 X 2.62 VIT 70SH	1,00			--
9999	UGLN49987		NOZZLE LECH 1/4 15045	1,00			--



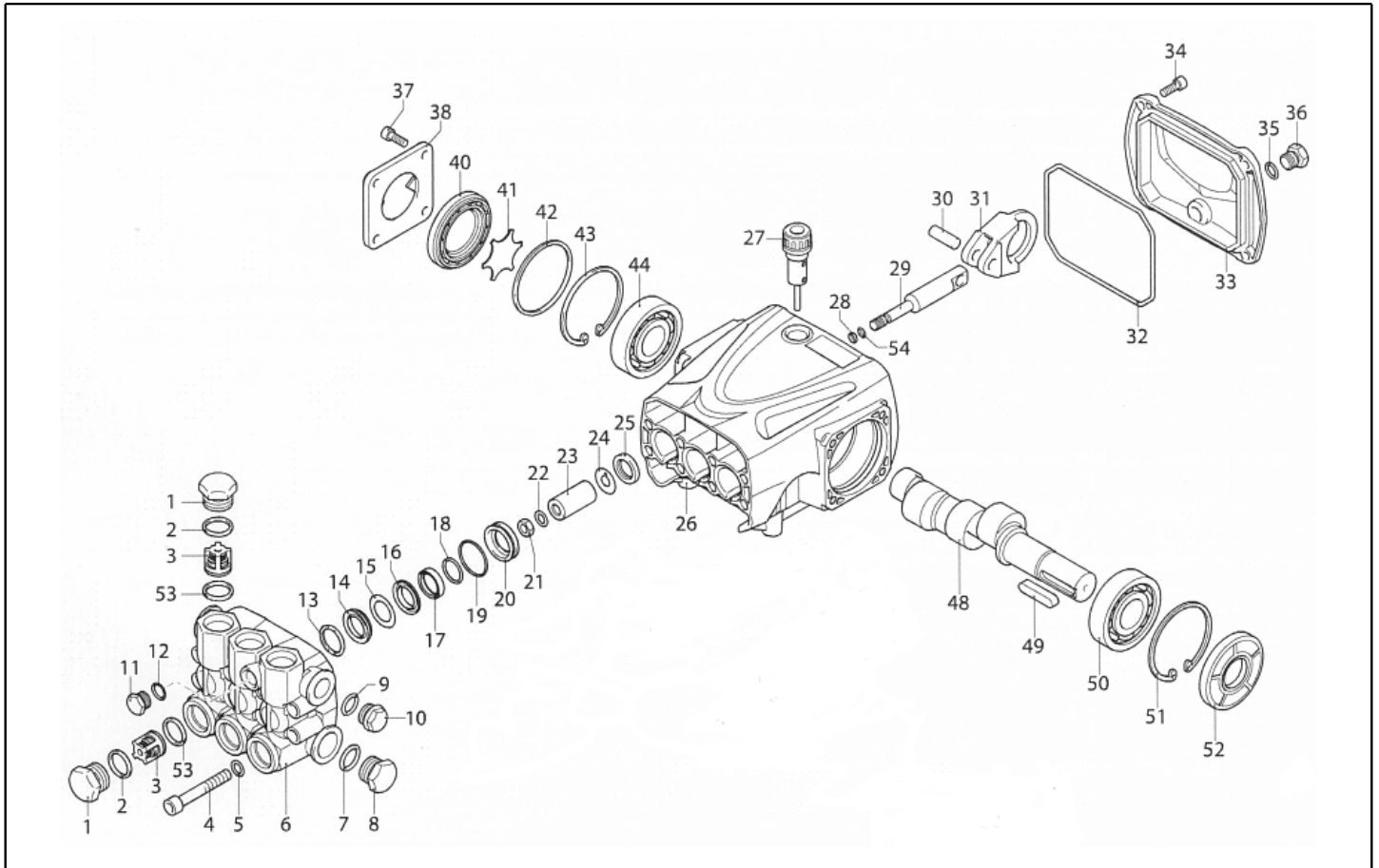
Ref. K	Part n.	Part n. 2	Description	Quantity	Validity		Price
					From	To	
K	METT40013		CONTACTOR SIE 3RT 2017-1AV01 400V	1,00	15/10/2014		--
IG	MECI40020		SWITCH BRM BP. 0-1 12A	1,00			--
CV1	MECB89888		CABLE H07 RNF 4X2.5 L=6.500	1,00			--



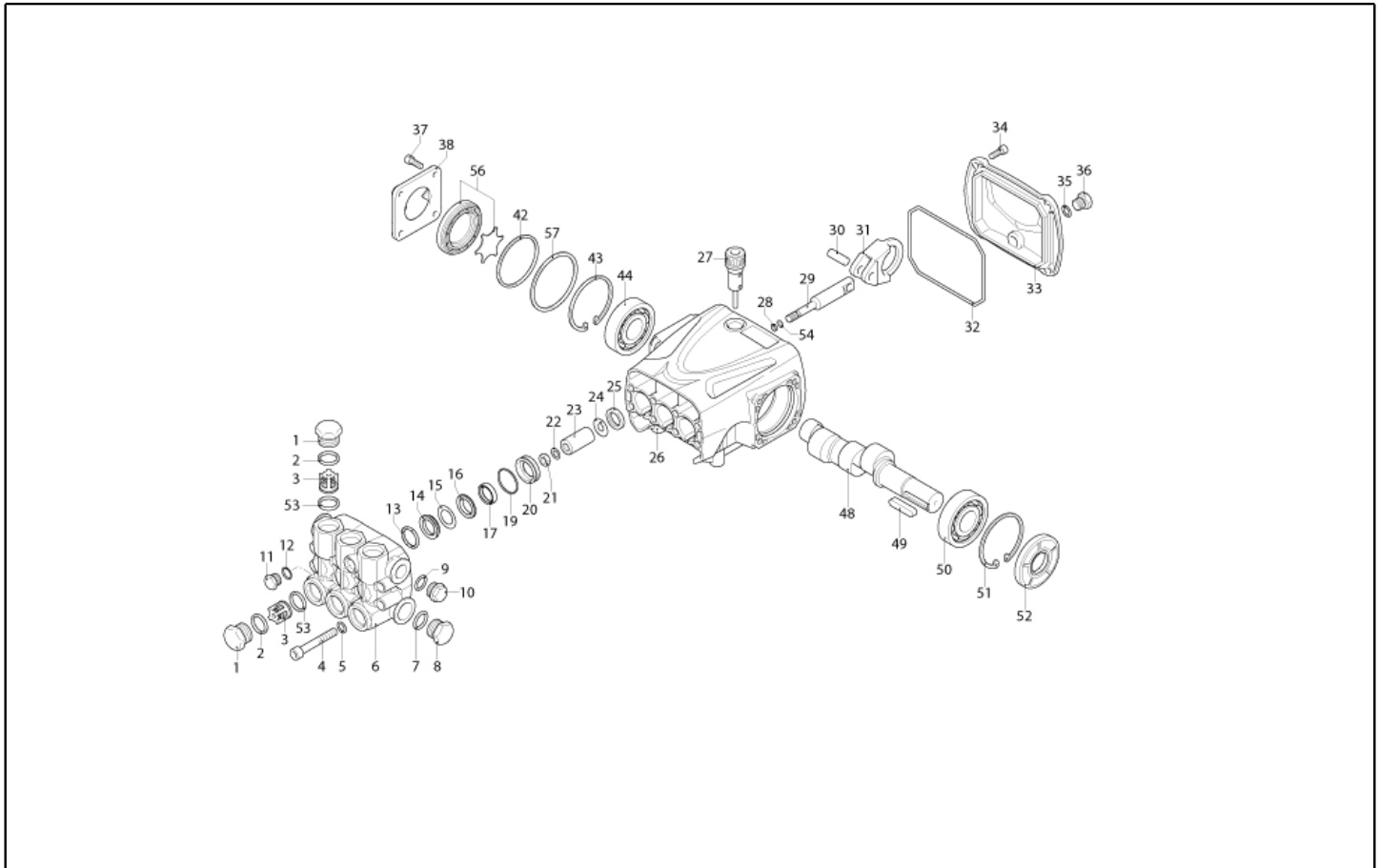
Ref. K	Part n.	Part n. 2	Description	Quantity	Validity		Price
					From	To	
0001	PVVR40161		CAP AR RR	6,00			--
0002	GUGO03502		O-RING D. 17.86 X 2.62 NBR 70SH	6,00			--
0003	S VVAM40003		VALVE UNIT RR	6,00			--
0004	VTVT63018		SCREW TCEI M 8X55 ZC U.5931	8,00			--
0005	VTRS14242		WASHER D. 8.4X13X0.8 UNI7064 SCH	8,00			--
0006	MFVR40028		HEAD AR RR OT.	1,00			--
0007	GUGO19245		O-RING D. 17.5 X 2 NBR 70SH	1,00			--
0008	PVVR40121		CAP 1/2 M RC	1,00			--
0009	GUGO09720		O-RING D. 14 X 1.78 NBR 70SH	1,00			--
0010	PVVR40099		CAP 3/8 M HRM	1,00			--
0011	PVVR40129		CAP 1/4 M RC	1,00			--
0012	GUGO01036		O-RING D. 10.82 X 1.78 NBR 70SH	1,00			--
0013	S PVVR40122		HEAD RING D. 18 RC	3,00			--
0014	S GUVR40035		PACKING D. 18 RC H.P.	3,00			--
0015	S GUVR40043		ANTI-EXTR.RING D.18X28	3,00			--
0016	S PVVR40162		INTERMED. RING D. 18 RR	3,00			--
0017	S GUVR40036		PACKING D. 18 RC L.P.	3,00			--
0018	S GUVR40037		ANTI-EXTR.RING D.21	3,00			--
0019	S GUGO19290		O-RING D. 23.52 X 1.78 NBR 70SH	3,00			--
0020	S PVVR40163		PACKING RETAIN. D. 18 RR	3,00			--
0021	VTDD00483		NUT M 8 ZIN UNI 5588	3,00			--
0022	VTRS19394		WASHER D. 8X13X0.5	3,00			--
0023	S PIVR40007		PISTON D.18 RR	3,00			--
0024	PVVR19233		DISC XTS	3,00			--
0025	S GUGO09690		OIL SEAL 15X 24X 5 NBR70	3,00			--
0026	MFVR40030		PUMP CRANKCASE AR RR	1,00			--
0027	PVVR19231		OIL CAP XTS	1,00			--
0028	GUGO08071		O-RING D. 4.48 X 1.78 NBR 70SH	3,00			--
0029	PVVR40176		PISTON GUIDE RR	3,00			--
0030	PVVR40178		GUDGEON D. 9 RR	3,00			--
0031	BLVR40002		CONNECTING ROD RR	3,00			--
0032	GUGO40017		O-RING D. 107.62 X 2.62 NBR 70SH	1,00			--
0033	MFVR40029		CRANKCASE COVER AR RR	1,00			--
0034	VTVT09913		SCREW TCEI 6X16 UNI5931	4,00			--
0035	GUGO01036		O-RING D. 10.82 X 1.78 NBR 70SH	1,00			--
0036	PVVR40129		CAP 1/4 M RC	1,00			--
0037	VTVT09913		SCREW TCEI 6X16 UNI5931	4,00			--
0038	MFVR40021		CRANKCASE COVER AR RC LT.	1,00			--
0040	PVVR40179		OIL INDICATOR RR	1,00			--
0041	PVVR40125		DISC RC	1,00			--
0042	GUGO09030		O-RING 56X82 X2.62 - NBR	1,00			--
0043	VTAE10405		CIRCLIP D. 62 UNI 7437	1,00			--
0044	CUVR09654		BALL BEARING 6305	1,00			--
0048	ALMO40012		SHAFT AR RR 15LT VRS. N	1,00			--



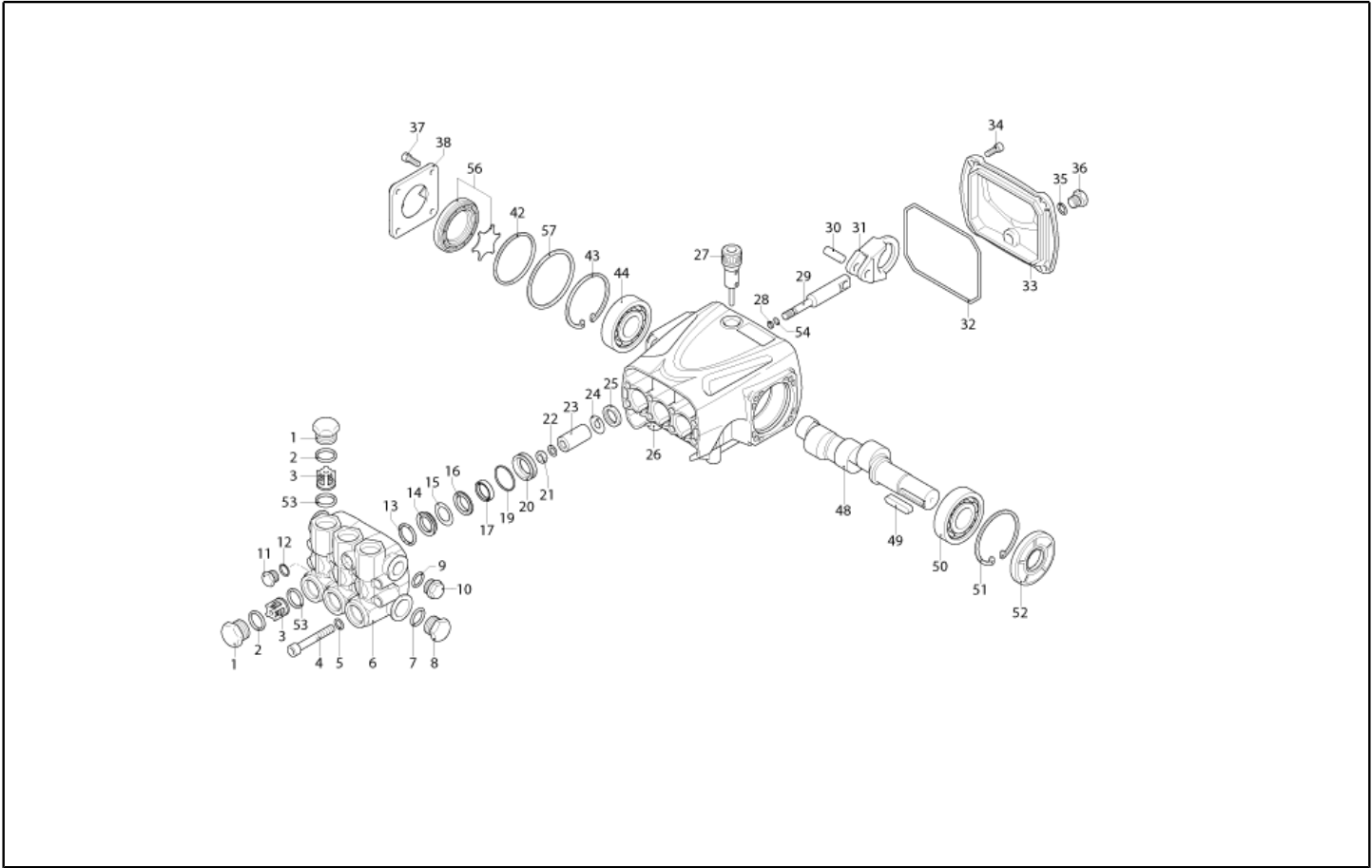
Ref. K	Part n.	Part n. 2	Description	Quantity	Validity		Price
					From	To	
0049	VTVR41531		KEY 8X 7X35 UNI 6604A	1,00			--
0050	CUVR09654		BALL BEARING 6305	1,00			--
0051	VTAE10405		CIRCLIP D. 62 UNI 7437	1,00			--
0052	S GUGO40018		OIL SEAL 25X 62X 8 NBR70	1,00			--
0053	S GUGO02259		O-RING D. 15.54 X 2.62 NBR 70SH	6,00			--
0054	GUVR40044		ANTI-EXTR.RING D. 5 X 8 X1	3,00			--



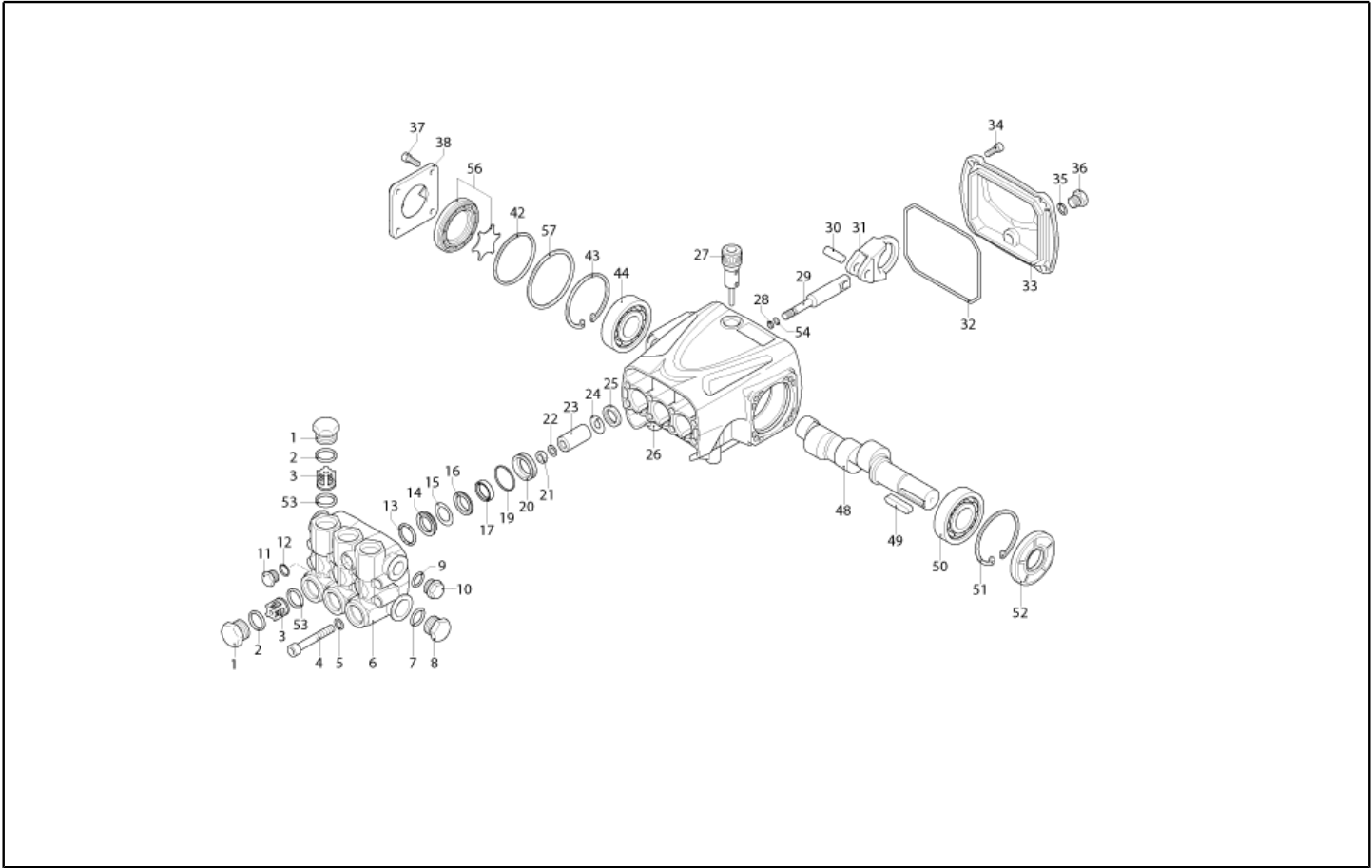
Ref. Part n.	Part n. 2	Description	Reference	Price
KTRI40142		KIT P 15-42909 RR	0003 0053	--
KTRI40143		KIT P 15-42904 D.18 RR	0023	--
KTRI40144		KIT P 15-42922 RR	0025 0052	--
KTRI40145		KIT P 15-42924 D.18 RR	0014 0015 0017 0018 0019	--
KTRI40095		KIT P 15-42903 D.18 RC	0013	--
KTRI40146		KIT P 15-42923 D.18 RR	0016 0020	--



Ref. K	Part n.	Part n. 2	Description	Quantity	Validity		Price
					From	To	
0001	PVVR40161		CAP AR RR	6,00			--
0002	GUGO03502		O-RING D. 17.86 X 2.62 NBR 70SH	6,00			--
0003	S VVAM40003		VALVE UNIT RR	6,00			--
0004	VTVT63018		SCREW TCEI M 8X55 ZC U.5931	8,00			--
0005	VTRS14242		WASHER D. 8.4X13X0.8 UNI7064 SCH	8,00			--
0006	MFVR40028		HEAD AR RR OT.	1,00			--
0007	GUGO19245		O-RING D. 17.5 X 2 NBR 70SH	1,00			--
0008	PVVR40121		CAP 1/2 M RC	1,00			--
0009	GUGO09720		O-RING D. 14 X 1.78 NBR 70SH	1,00			--
0010	PVVR40099		CAP 3/8 M HRM	1,00			--
0011	PVVR40129		CAP 1/4 M RC	1,00			--
0012	GUGO01036		O-RING D. 10.82 X 1.78 NBR 70SH	1,00			--
0013	S PVVR40122		HEAD RING D. 18 RC	3,00			--
0014	S GUVR40035		PACKING D. 18 RC H.P.	3,00			--
0015	S GUVR40043		ANTI-EXTR.RING D.18X28	3,00			--
0016	S PVVR40162		INTERMED. RING D. 18 RR	3,00			--
0017	S GUVR40122		PACKING D. 18 RC L.P. 2V.	3,00			--
0019	S GUGO19290		O-RING D. 23.52 X 1.78 NBR 70SH	3,00			--
0020	S PVVR40565		PACKING RETAIN. D. 18 RR 2V.	3,00			--
0021	VTDD00483		NUT M 8 ZIN UNI 5588	3,00			--
0022	VTRS19394		WASHER D. 8X13X0.5	3,00			--
0023	S PIVR40007		PISTON D.18 RR	3,00			--
0024	PVVR19233		DISC XTS	3,00			--
0025	S GUGO09690		OIL SEAL 15X 24X 5 NBR70	3,00			--
0026	MFVR40030		PUMP CRANKCASE AR RR	1,00			--
0027	PVVR19231		OIL CAP XTS	1,00			--
0028	GUGO08071		O-RING D. 4.48 X 1.78 NBR 70SH	3,00			--
0029	PVVR40176		PISTON GUIDE RR	3,00			--
0030	PVVR40178		GUDGEON D. 9 RR	3,00			--
0031	BLVR40002		CONNECTING ROD RR	3,00			--
0032	GUGO40017		O-RING D. 107.62 X 2.62 NBR 70SH	1,00			--
0033	MFVR40029		CRANKCASE COVER AR RR	1,00			--
0034	VTVT09913		SCREW TCEI 6X16 UNI5931	4,00			--
0035	GUGO01036		O-RING D. 10.82 X 1.78 NBR 70SH	1,00			--
0036	PVVR40129		CAP 1/4 M RC	1,00			--
0037	VTVT09913		SCREW TCEI 6X16 UNI5931	4,00			--
0038	MFVR40021		CRANKCASE COVER AR RC LT.	1,00			--
0042	GUGO09030		O-RING 56X82 X2.62 - NBR	1,00			--
0043	VTAE10405		CIRCLIP D. 62 UNI 7437	1,00			--
0044	CUVR09654		BALL BEARING 6305	1,00			--
0048	ALMO40012		SHAFT AR RR 15LT VRS. N	1,00			--
0049	VTVR41531		KEY 8X 7X35 UNI 6604A	1,00			--
0050	CUVR09654		BALL BEARING 6305	1,00			--
0051	VTAE10405		CIRCLIP D. 62 UNI 7437	1,00			--



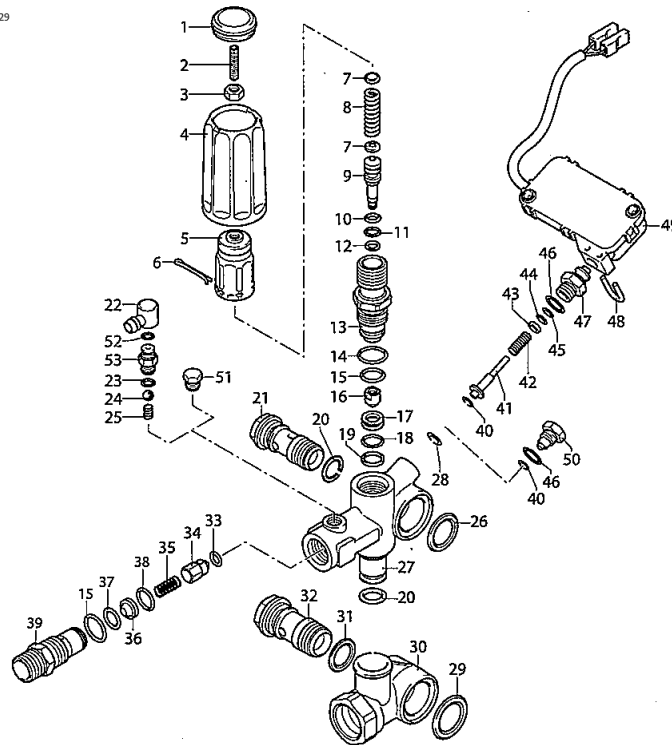
Ref. K	Part n.	Part n. 2	Description	Quantity	Validity		Price
					From	To	
0052	S	GUGO40018	OIL SEAL 25X 62X 8 NBR70	1,00			--
0053	S	GUGO02259	O-RING D. 15.54 X 2.62 NBR 70SH	6,00			--
0054		GUVR40044	ANTI-EXTR.RING D. 5 X 8 X1	3,00			--
0056		PVVR40473	OIL INDICATOR RR CPL.	1,00			--
0057		PVVR40566	RING D. 61.8 X57.8 X0.5	1,00			--



Ref. Part n.	Part n. 2	Description	Reference	Price
KTRI40095		KIT P 15-42903 D.18 RC	0013	--
KTRI40142		KIT P 15-42909 RR	0003 0053	--
KTRI40143		KIT P 15-42904 D.18 RR	0023	--
KTRI40144		KIT P 15-42922 RR	0025 0052	--
KTRI40515		KIT P 15-46146 D.18 RR 2V.	0014 0015 0017 0019	--
KTRI40516		KIT P 15-46147 D.18 RR 2V.	0016 0020	--
KTRI40517		KIT P 15-2008 D.18RR 2V.	0017 0019 0020	--

VRZ TSS + ID

KIT F = pos. 10 11 14 15 18 19 20 23 28 29
31 33 37 38 40 44 45 46

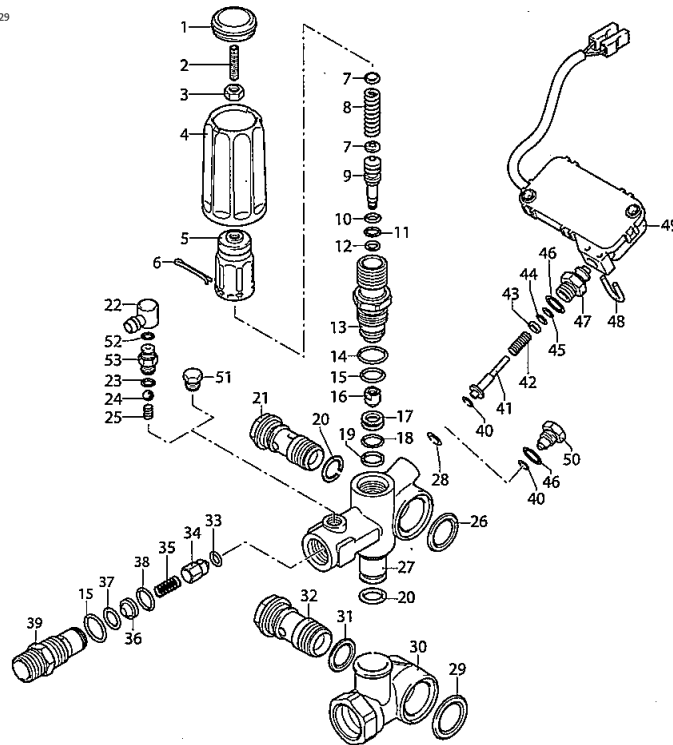


UN_00_4104-FR

Ref. K	Part n.	Part n. 2	Description	Quantity	Validity		Price
					From	To	
0001	PVVR40241		CAP VRC-BM	1,00			--
0002	VTVT40051		SCREW STEI M 6X25	1,00			--
0003	PVVR40292		NUT AR	1,00			--
0004	PVVR40418		KNOB VRZ	1,00			--
0005	PVVR40236		KNOB M.MT/4B	1,00			--
0006	VTVR40025		SPLIT PIN D. 2,6X15	1,00			--
0007	PVVR40067		SPRING PLATE AR XJS	2,00			--
0008	PVVR40419		SPRING VALVOLA VRZ	1,00			--
0009	PVVR40420		PISTON VRC-BM	1,00			--
0010	S GUGO40046		O-RING D. 6.02 X 2.62 NBR 90SH	1,00			--
0011	S GUGO12489		O-RING D. 6.07 X 1.78 NBR 70SH	1,00			--
0012	GUVR40072		ANTI-EXTR.RING D. 6.5X 9.4	1,00			--
0013	PVVR40421		PISTON GUIDE VRZ	1,00			--
0014	S GUGO03505		O-RING D. 15.6 X 1.78 NBR 70SH	1,00			--
0015	S GUGO11652		O-RING D. 12.42 X 1.78 NBR 70SH	2,00			--
0016	PVVR40423		COUPLING AR VRZ	1,00			--
0017	PVVR40424		VALVE SEAT AR VRZ	1,00			--
0018	S GUGO19194		O-RING D. 11.11 X 1.78 NBR 70SH	1,00			--
0019	S GUVR40085		ANTI-EXTR.RING D. 14 X11,8X1	1,00			--
0020	S GUGO01047		O-RING D. 11.91 X 2.62 NBR 70SH	2,00			--
0021	RCDS40068		SCREW G 3/8 M.MATIC 4/B OT.	1,00			--
0026	GUGO40057		O-RING D. 20.29 X 2.62-NBR 70SH	1,00			--
0027	PVVR40427		VALVE BODY VRZ	1,00			--
0028	S GUGO40031		O-RING D. 3.68 X 1.78 NBR 90SH	1,00			--
0029	S GUGO76542		O-RING D. 23.47 X 2.62 NBR 70SH	1,00			--
0030	PVVR40428		BODY VALVOLA VRZ	1,00			--
0031	S GUGO01058		O-RING D. 17.17 X 1.78 NBR 70SH	1,00			--
0032	RCDS40070		SCREW G 1/2 M.MATIC 4/B	1,00			--
0033	S GUGO12494		O-RING D. 4 X 2.5 -NBR 70SH	1,00			--
0034	PVVR40422		COUPLING AR VRZ	1,00			--
0035	PVVR40252		SPRING VRC-BM	1,00			--
0039	RCDS40192		NIPPLE G 3/8 VRZ	1,00			--
0040	S GUVR40084		ANTI-EXTR.RING PARBAK 8-007	1,00			--
0041	PVVR40425		CONTOL ROD AR TSS VRZ	1,00			--
0046	S GUGO06988		O-RING D. 7.66 X 1.78 NBR 70SH	1,00			--
0050	PVVR40434		CAP VALVOLA VRZ	1,00			--
0051	RCDS19214		CAP 1/8 M	1,00			--

VRZ TSS + ID

KIT F = pos. 10 11 14 15 18 19 20 23 28 29
31 33 37 38 40 44 45 46



UN_00_4104-FR

Ref. Part n.	Part n. 2	Description	Reference	Price
F	KTRI40293	KIT P SET O-RING VALVOLA VRZ	0010 0011 0014 0015 0018 0019 0020 0023 0028 0029 0031 0033 0037 0038 0040 0044 0045 0046	--