



IPC

Spare parts list

Ref: ASDO09706

Cust.ref: ASDO09706

Model: VACUUM PANDA 515/26 SHK TECHNOF.

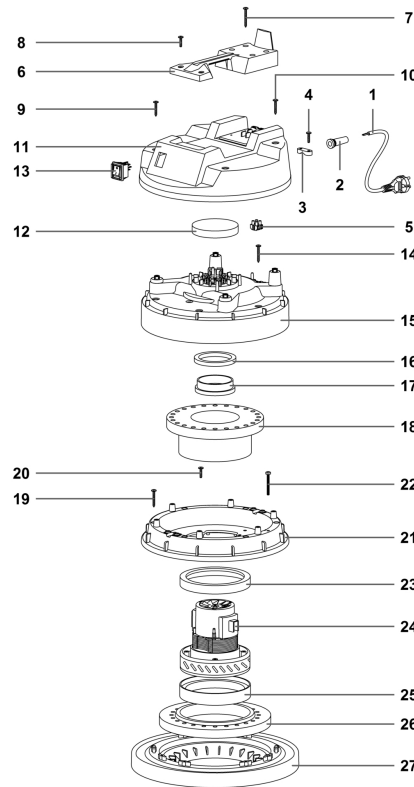
Cust.model: PA515/26 XP TF



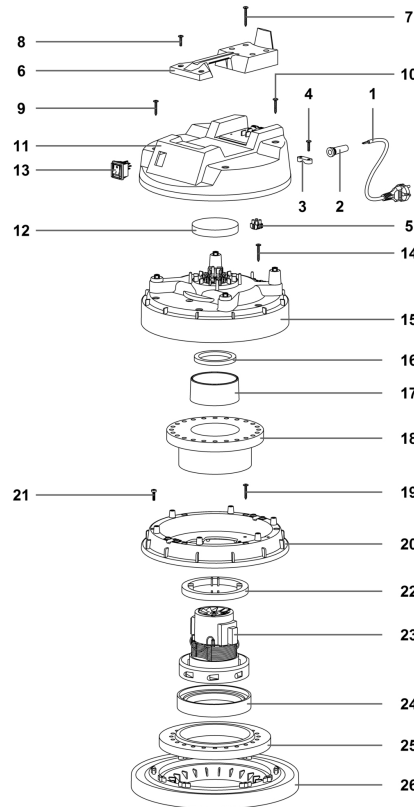
IPC Integrated Professional Cleaning

IPC Soteco

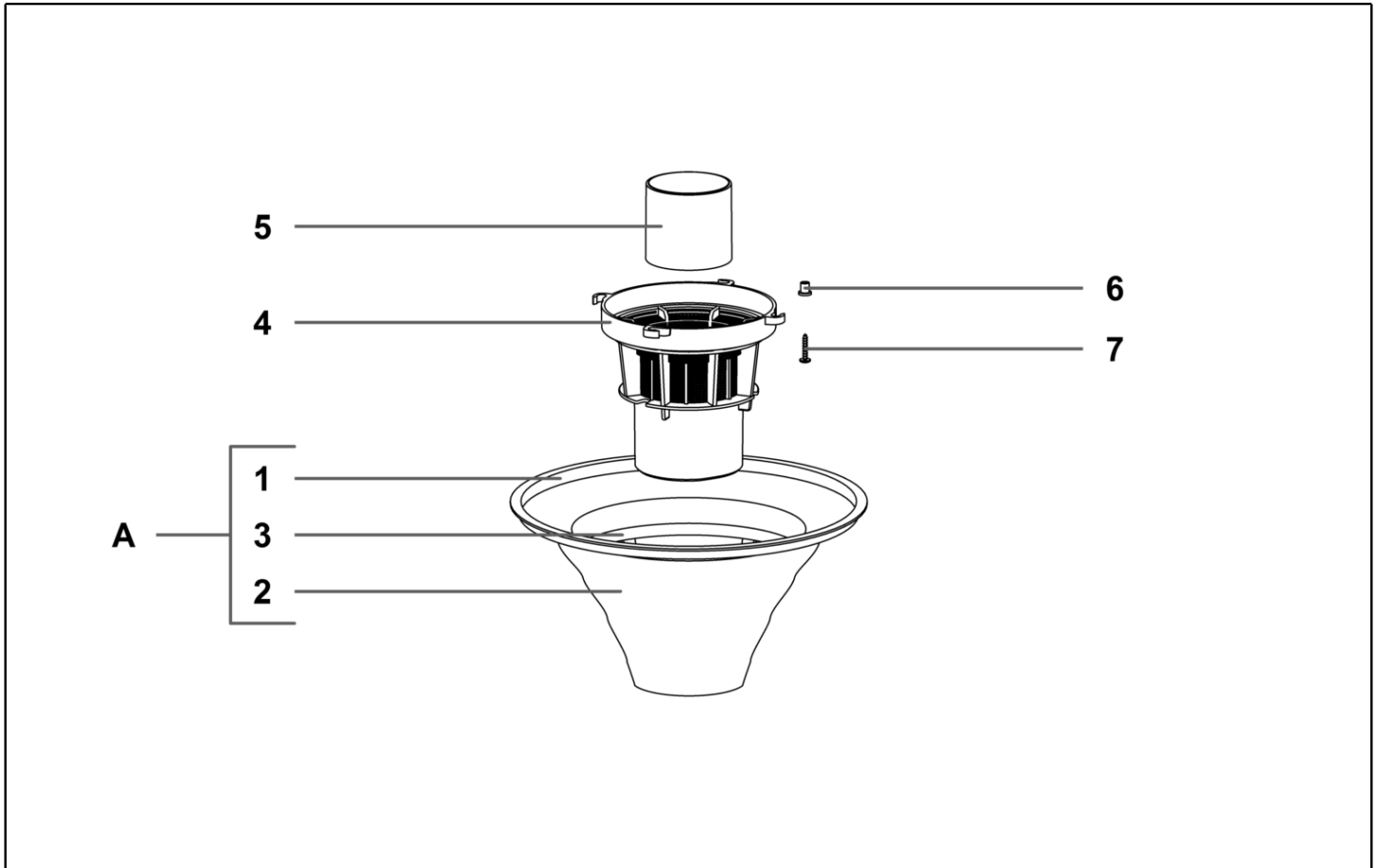
Ref. K	Part n.	Part n. 2	Description	Quantity	Validity		Price
					From	To	
0001	PMTA06773		HEAD PANDA 215/515 MONO XP W/P	1,00		30/06/2021	--
0001	PMTA09325		HEAD PANDA 215/515 MONO SHARK	1,00	01/07/2021		--
0002	KTRI04435		FILTERING KIT YES SANIFIC. COMPL.	1,00			--
0003	LAFN10597		TANK 500 H=330 AISI430 G6/OR	1,00			--
0004	MPVR28703		TROLLEYSQUARE TROLLEY 202 GREY 6	1,00			--
0005	PMDT00686			1,00			--



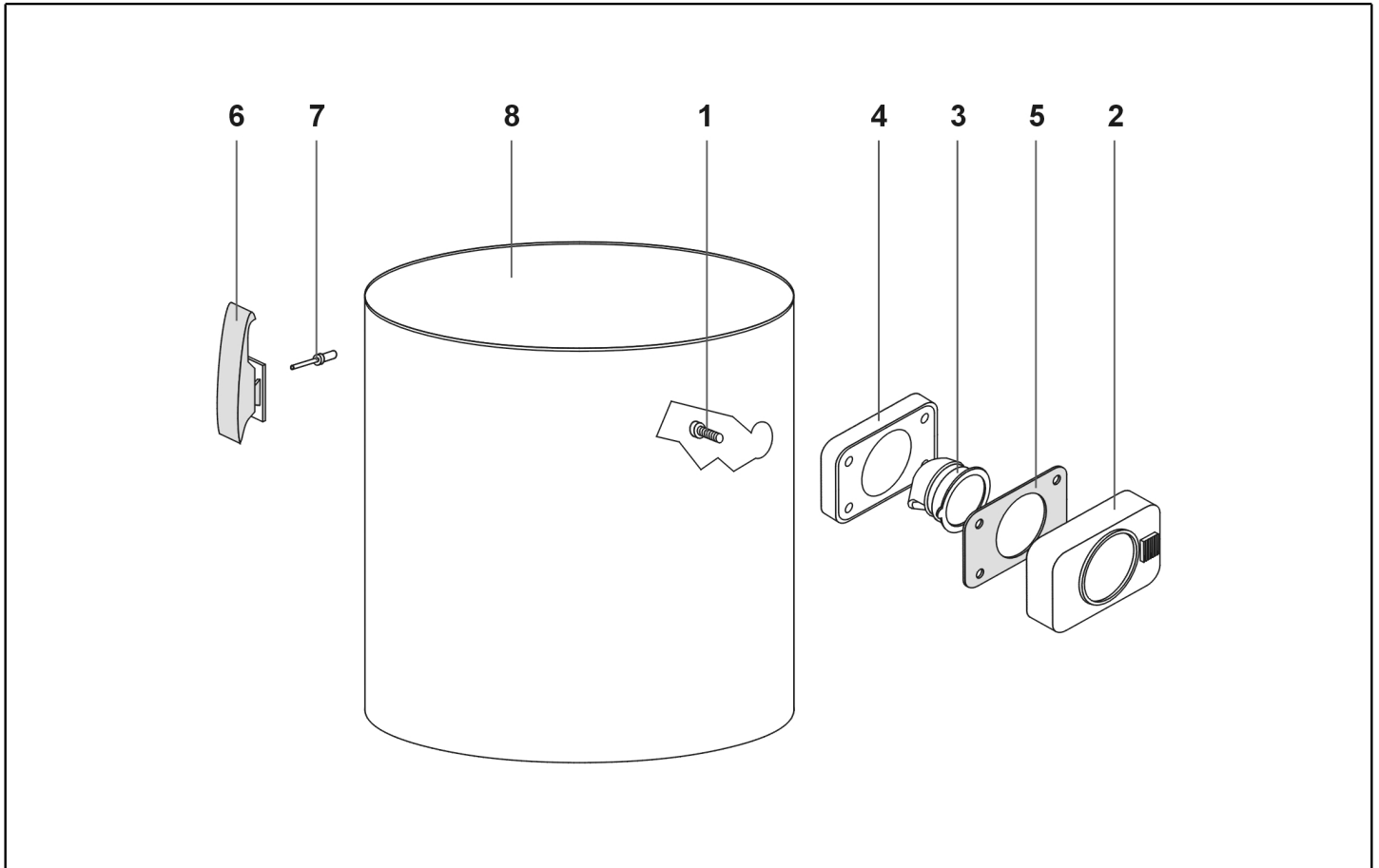
Ref. K	Part n.	Part n. 2	Description	Quantity	Validity		Price
					From	To	
*	MECB01821		WIRING 40CM MOTOR-TP 1200	1,00			--
*	MECB35712		WIRE WITH RESISTANCE	1,00			--
*	FSVR00127		CLAMP	1,00			--
0001	MECB28672		ELECTRIC CORD 2X1 MT.8,5	1,00			--
0002	MEVR28673		FAIRLEAD	1,00			--
0003	MPVR28690		CABLE CLAMP	1,00			--
0004	VTVT71961		SCREW PFU TMT PHL 5X20 ZN NERA	2,00			--
0005	MECB01161		TERMINAL BOARD 300-500 2P RAD	1,00			--
0006	MPVR09697		GREY HANDLE PANDA 6000	1,00			--
0007	VTVT72106		SCREW PAT TMT PHL 5X40 BLACK	4,00			--
0008	VTVT71961		SCREW PFU TMT PHL 5X20 ZN NERA	2,00			--
0009	VTVT71966		SCREW PAT TMT PHL 5X30 BLACK	2,00			--
0010	VTVT71966		SCREW PAT TMT PHL 5X30 BLACK	2,00			--
0011	MPVR09715		GREY COVER PANDA 6000	1,00			--
0012	FTDP38064		FILTER MTP/65 H=15 D.95	1,00			--
0013	MECI72195		ANTISPLASH SWITCH	1,00			--
0014	VTVT71971		SCREW PAT TMT PHL 5X35 BLACK	6,00			--
0015	MPVR09099		COVERING 99 S/HOLES LOBSTER	1,00		09/03/2021	--
0015	MPVR12686		COVERING 99 S/FORI ARAGOSTA V2	1,00	10/03/2021		--
0016	MPVR38371		WASHER H8 D85X65	1,00			--
0017	MPVR86282		RING MOTORE H=7 (15) PLAST.	1,00			--
0018	FTDP38066		FILTER PHONO H=75	1,00			--
0019	VTVT71971		SCREW PAT TMT PHL 5X35 BLACK	6,00			--
0020	VTVT71961		SCREW PFU TMT PHL 5X20 ZN NERA	4,00			--
0021	MPVR08415		MOTOR SUPPORT 500 GREY 6000	1,00			--
0022	VTVT01272		SCREW TC CROSS M 5X45 UNI 7687	1,00			--
0023	GUGO28683		"L" GASKET W/O HOLES H=5,5	1,00			--
0024	MOMO40006		MOT BS282 1200W 220-240 50/60 MONO	1,00			--
0025	GUVVR00397		"L" GASKET S/F H=16	1,00			--
0026	FTDP38067		WASHER MTP 65MM 18D 230X145	1,00			--
0027	PMBA00270		BASE 500 MONO.W/GAS+PLA.GR6000	1,00			--



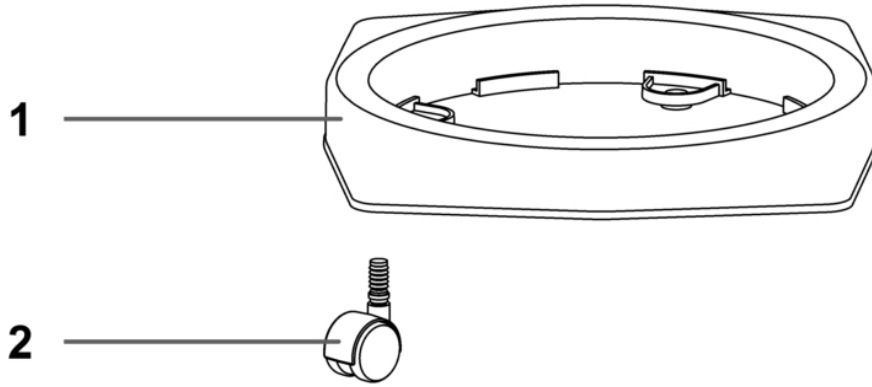
Ref. K	Part n.	Part n. 2	Description	Quantity	Validity		Price
					From	To	
*	MECB01820		MOTOR WIRING 40CM	1,00			--
*	MECB35712		WIRE WITH RESISTANCE	1,00			--
*	FSVR00127		CLAMP	1,00			--
0001	MECB01984		CABLE ELETT.2X0,75 MT.8	1,00			--
0002	MEVR28673		FAIRLEAD	1,00			--
0003	MPVR28690		CABLE CLAMP	1,00			--
0004	VTVT71961		SCREW PFU TMT PHL 5X20 ZN NERA	2,00			--
0005	MECB01161		TERMINAL BOARD 300-500 2P RAD	1,00			--
0006	MPVR09697		GREY HANDLE PANDA 6000	1,00			--
0007	VTVT72106		SCREW PAT TMT PHL 5X40 BLACK	4,00			--
0008	VTVT71961		SCREW PFU TMT PHL 5X20 ZN NERA	2,00			--
0009	VTVT71966		SCREW PAT TMT PHL 5X30 BLACK	2,00			--
0010	VTVT71966		SCREW PAT TMT PHL 5X30 BLACK	2,00			--
0011	MPVR09715		GREY COVER PANDA 6000	1,00			--
0012	FTDP38064		FILTER MTP/65 H=15 D.95	1,00			--
0013	MECI72195		ANTISPLASH SWITCH	1,00			--
0014	VTVT71971		SCREW PAT TMT PHL 5X35 BLACK	6,00			--
0015	MPVR12686		COVERING 99 S/FORI ARAGOSTA V2	1,00			--
0016	MPVR38371		WASHER H8 D85X65	1,00			--
0017	MPVR11992		RING MOTORE DIA 70 H 25 KING	1,00			--
0018	FTDP38066		FILTER PHONO H=75	1,00			--
0019	VTVT71966		SCREW PAT TMT PHL 5X30 BLACK	10,00			--
0020	MPVR11989		MOTOR FASTENER 500 NE KING CLEAN	1,00			--
0021	VTVT01272		SCREW TC CROSS M 5X45 UNI 7687	1,00		22/07/2021	--
0021	VTVT01102		SCREW TC CROSS M 5X20 UNI 7687	1,00	23/07/2021		--
0022	GUVR00413		"C" GASKET D.130	1,00			--
0023	MOMO01021		MOTOR BS20212 KC SHARK 1200W 22	1,00			--
0024	GUVR00412		"L" GASKET D.130 H=13	1,00			--
0025	FTDP00802		WASHER MTP 65 18X230X145 KC	1,00			--
0026	PMBA00270		BASE 500 MONO.W/GAS+PLA.GR6000	1,00			--



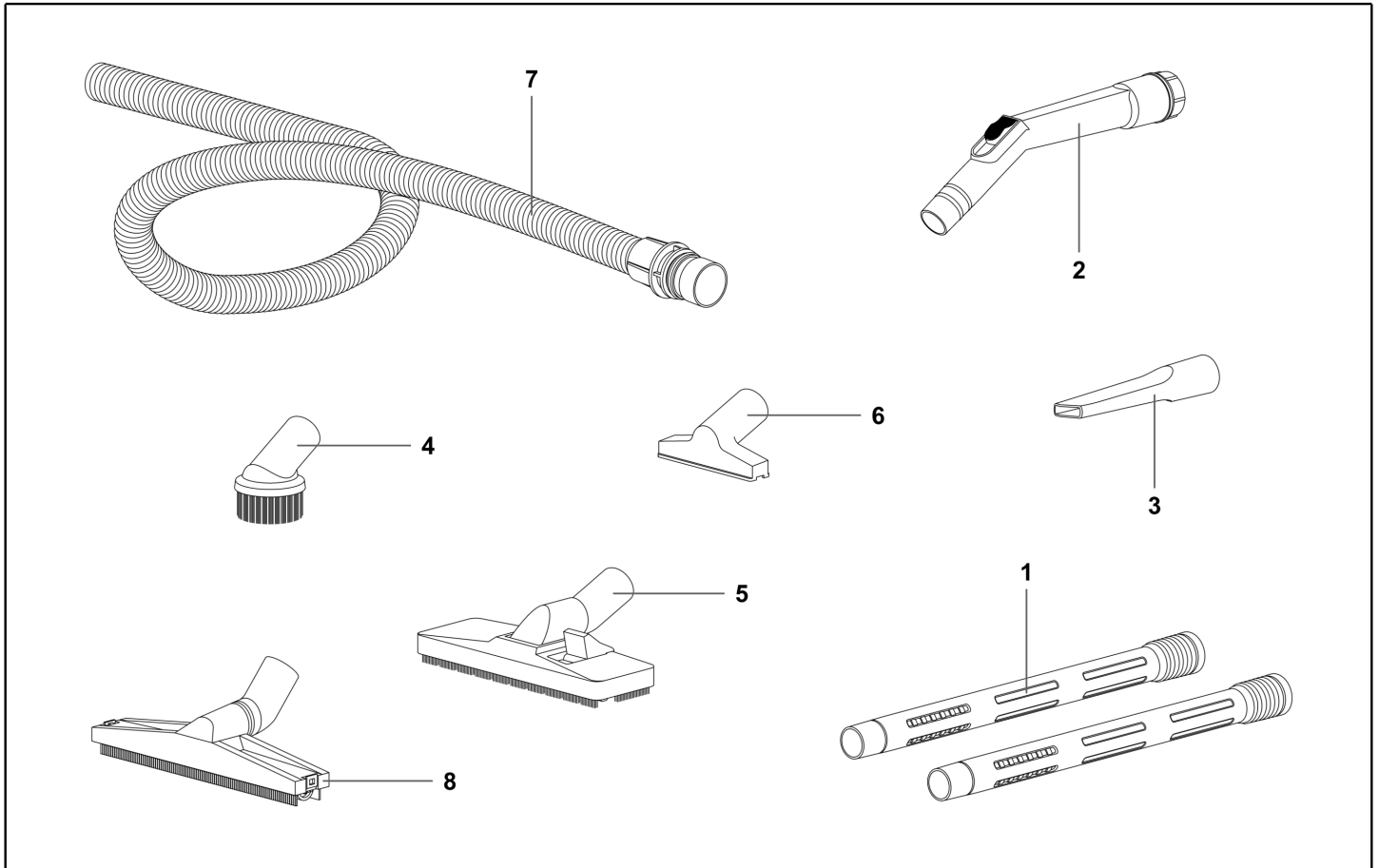
Ref. K	Part n.	Part n. 2	Description	Quantity	Validity		Price
					From	To	
A	KTRI02133		KIT RING+FILT+BASK 500 CONIC. SAN	1,00			--
0001	MPVR36522		FILTER RING 500	1,00			--
0002	FTDP00547		FILTER POLY AN3-500 CON REG H180	1,00			--
0003	MPVR35490		LOWER CONICAL BASKET 300	1,00			--
0004	MPVR40521		NET ANTIFOAM BODY HIGH	1,00			--
0005	RCGR40008		HIGH FLOAT 99 W/GASKET 37 SHA	1,00			--
0006	MPVR35796		BUSHING PLASTIC SLEEVE D.8	4,00			--
0007	VTVT36751		SCREW SCREW PAT TMT PHL 5X25	4,00			--



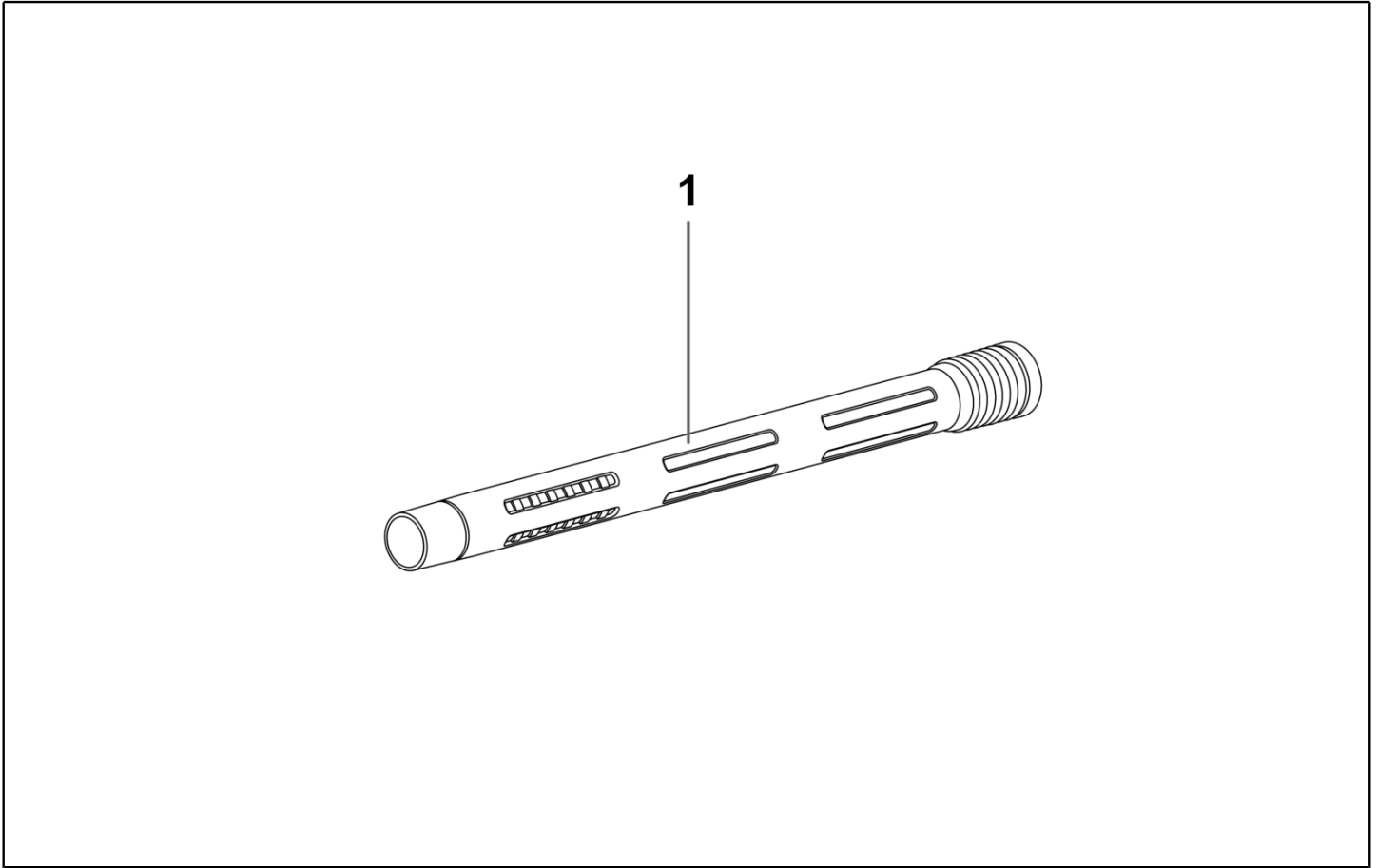
Ref. K	Part n.	Part n. 2	Description	Quantity	Validity		Price
					From	To	
0001	VTVT71966		SCREW PAT TMT PHL 5X30 BLACK	4,00			--
0002	MPVR09004		PIPE UNION R155 G6000 W/BUT.OR	1,00			--
0003	MPVR28696		DEFLECTOR 99	1,00			--
0004	MPVR08681		GASKET R 205 GREY 6000	1,00			--
0005	GUGO28701		GASKET D.38	1,00			--
0006	PMVR02871		PLASTIC HOOK COMPL. GR6000	2,00		08/04/2021	--
0006	CHVR28735		COMPLETE PLASTIC HOOK BLACK	2,00	09/04/2021		--
0007	VTVR71991		RIVET 5X11	4,00			--
0008	LAFN07891		TANK CONDOR ISSA AISI 430	1,00			--



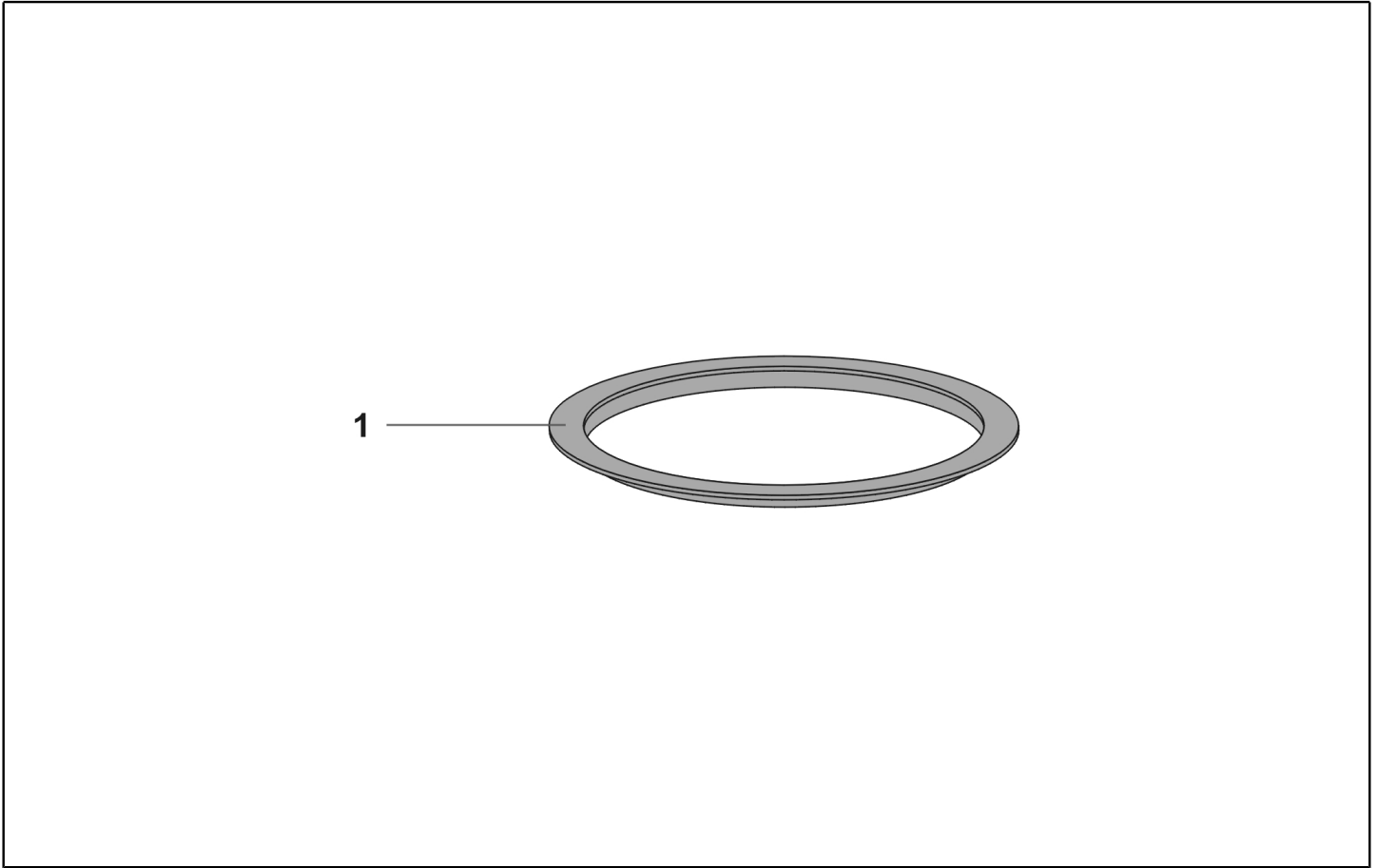
Ref. K	Part n.	Part n. 2	Description	Quantity	Validity		Price
					From	To	
0001	MPVR07923		TROLLEY BODY SQUARED BODY TROLLEY GREY	1,00			--
0002	RTRT42006		TROLLEY BOX WHEEL	4,00			--



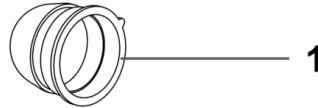
Ref. K	Part n.	Part n. 2	Description	Quantity	Validity		Price
					From	To	
0001	LAFN28238		AL-PLAST.TUBE D.36 MT.0.50	2,00			--
0002	LAFN85073		PLASTIC WAND WITH AIR REGULATION	1,00			--
0003	SPPV28242		FLAT LANCE D.36	1,00			--
0004	SPPV28243		ROUND TOOL	1,00			--
0005	SPPV28244		ASPIRAMATIC TOOL	1,00			--
0006	MPVR00141		SMALL TOOL D.36	1,00			--
0007	TBFX00707			1,00			--
0008	SPPV28245		WET BRUSH 300 D.36	1,00			--



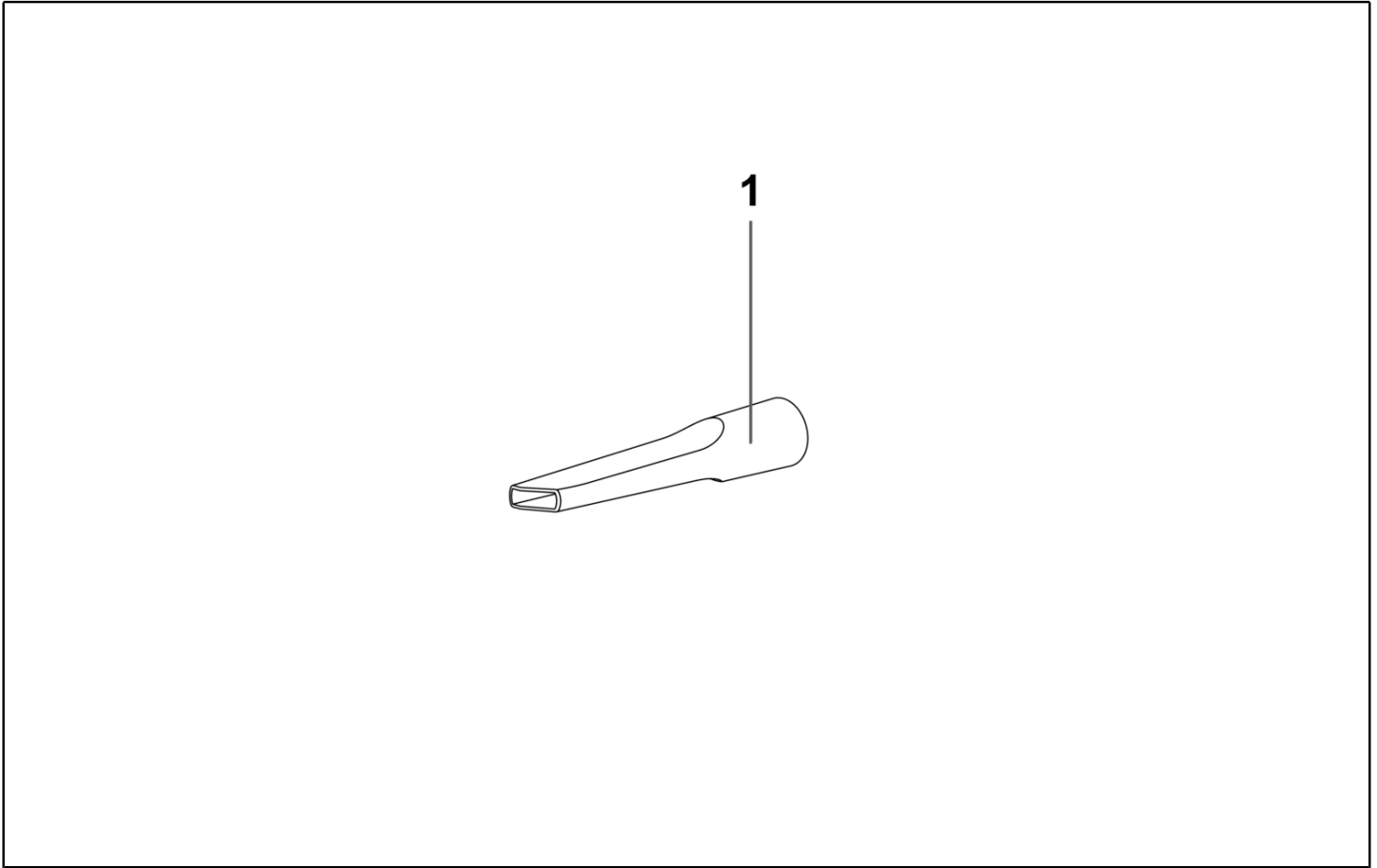
Ref. K	Part n.	Part n. 2	Description	Quantity	Validity		Price
					From	To	
0001	LAFN28238		AL-PLAST.TUBE D.36 MT.0,50	1,00			--
0001	LAFN28238		AL-PLAST.TUBE D.36 MT.0,50	1,00			--



Ref. K	Part n.	Part n. 2	Description	Quantity	Validity		Price
					From	To	
0001	MPVR36522		FILTER RING 500	1,00			--
0001	MPVR36522		FILTER RING 500	1,00			--



Ref. K	Part n.	Part n. 2	Description	Quantity	Validity		Price
					From	To	
0001	MPVR28696		DEFLECTOR 99	1,00			--
0001	MPVR28696		DEFLECTOR 99	1,00			--



Ref. K	Part n.	Part n. 2	Description	Quantity	Validity		Price
					From	To	
0001	SPPV28242		FLAT LANCE D.36	1,00			--
0001	SPPV28242		FLAT LANCE D.36	1,00			--



Ref. K	Part n.	Part n. 2	Description	Quantity	Validity		Price
					From	To	
0001	VTVT36751		SCREW SCREW PAT TMT PHL 5X25	1,00			--
0001	VTVT36751		SCREW SCREW PAT TMT PHL 5X25	1,00			--