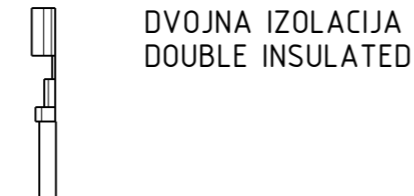
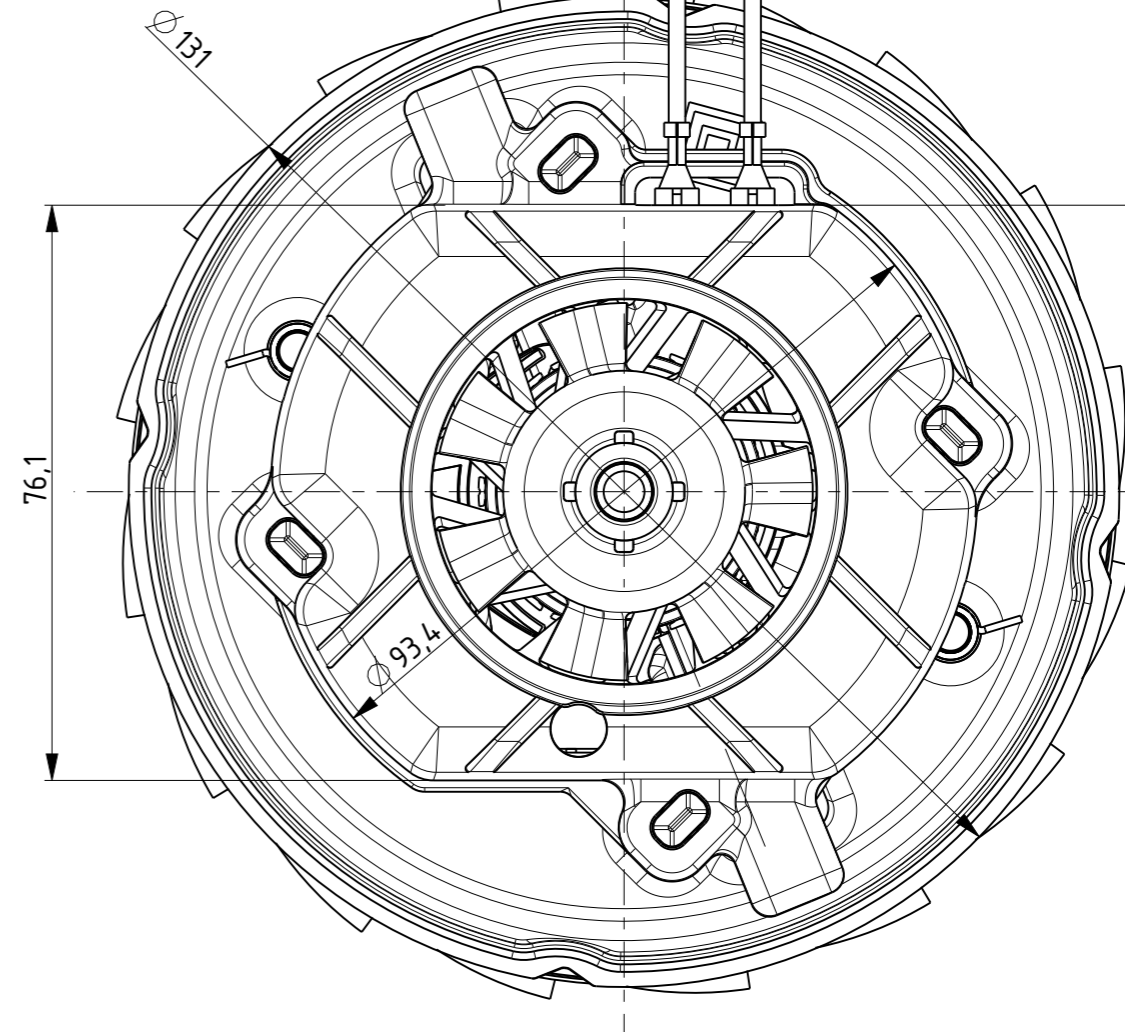
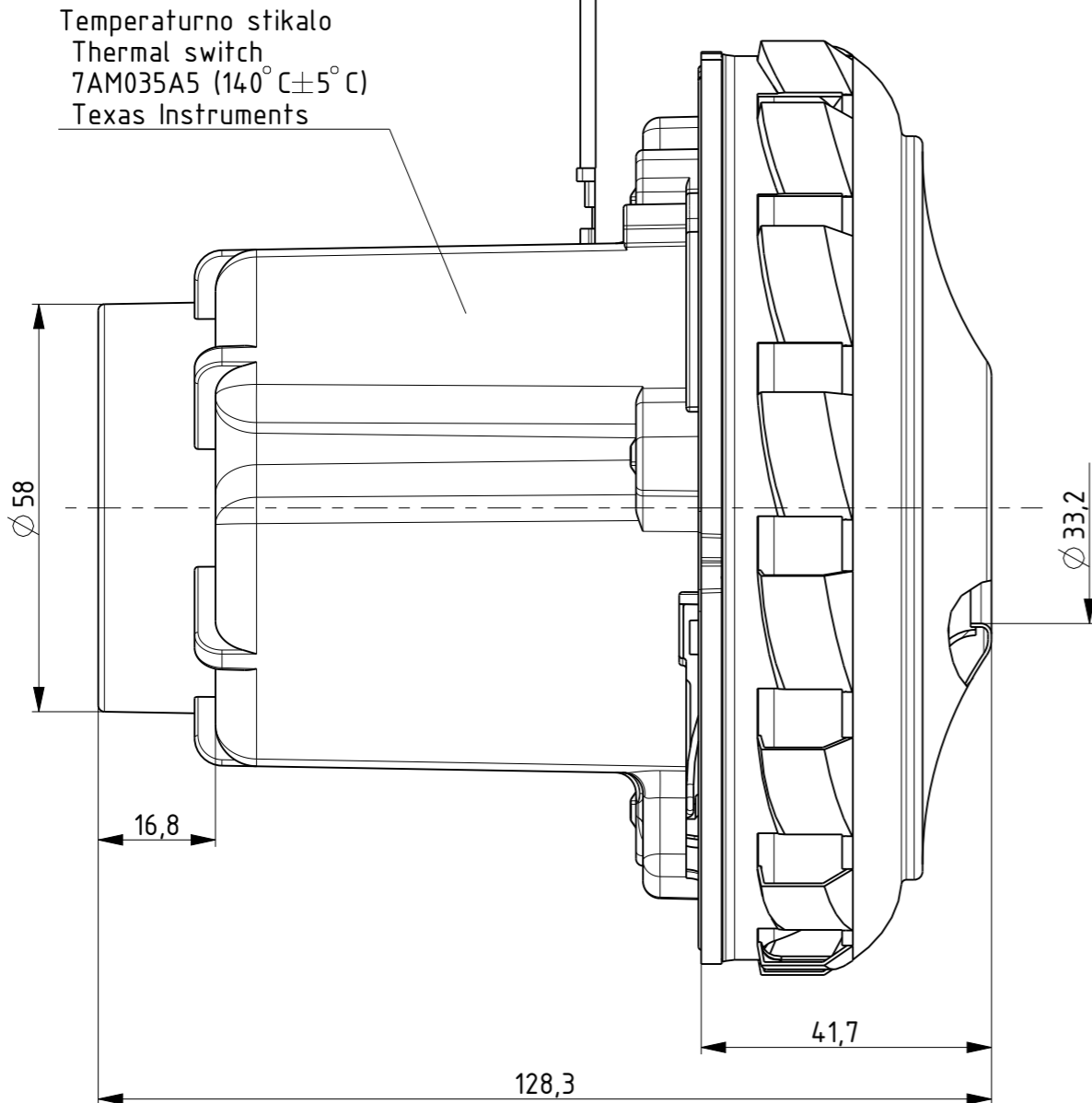
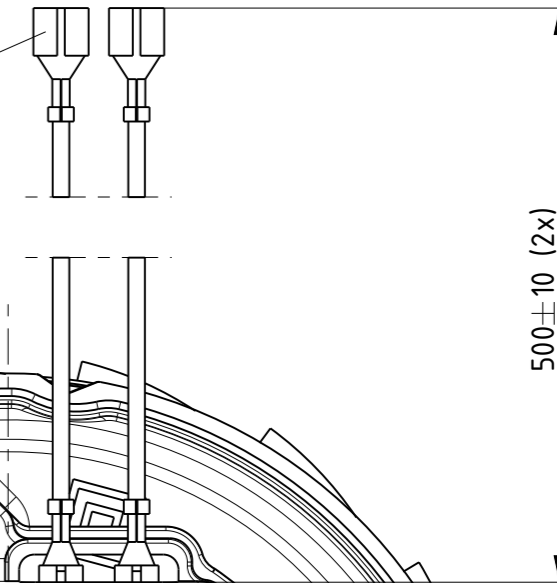


Izdelano s CAD/ProEngineer - ro-no spremeničenje ni dovoljeno! Vsak prenos tretjim osebam ali uporaba v nedogovorjene namene ni dovoljena po zakonu o avtorskih pravicah. Made with CAD/ProEngineer - changing is not allowed! Any unauthorized copying or unauthorized distribution of the information contained herein is prohibited.

NAPETOST	230 V
VOLTAGE	
FREKVENCA	50 Hz
FREQUENCY	
NAZIVNA MOČ	1200 W
NOMINAL POWER	



Ploščati natič 6,3x0,8 DIN 46247  
Receptacle



Oznake natisnjene na SE:  
Information stamped on VCM:

DOMEL 467.3.402-6  
302002783  
230 V 50 Hz  
I.C.L.H  
YYWWD S NNNN  
MADE IN SLOVENIA



OSNOVNE ZNAČILNOSTI		TYPICAL CHARACTERISTICS	
IZVEDBA	ENOSTOPENJSKA	FAN SYSTEM	SINGLE STAGE
VLEŽAJENJE	DVA KROGLIČNA LEŽAJA	BEARINGS	DUAL BALL
VRSTA PRETOKA	MIMO MOTORJA	DISCHARGE	BY PASS
SMER VR TENJA	DESNA	DIRECTION OF ROTATION	CW

				Tolerance odprtih mer Tolerances without individual indications	Površinska hrapavost Surface finishing	Merilo Scale	1:2	Original format ISO 5457 - A3			
				ISO 2768 - m		Gradivo / Material					
				Izdelal Designed	Datum/Date	Ime/Name					
				14.09.05	18.09.12	S. Zgaga					
				Pregl. Verified	18.09.12	J. Rihtaršič					
E1	10459	18.09.12	Novinc M.						Naziv Title		
D1	8556	15.04.08	Novinc M.						SESALNA ENOTA VACUUM CLEANER MOTOR		
C1	8255	23.08.07	Novinc M.						Koda Code		
B1	8127	03.04.07	Novinc M.						467.3.402-6		
A0	8066	06.02.07	Novinc M.	Otoki 21, 4228 @elezniki, Slovenija			List Sheet	3+			
Ozn. Mark	Ift. Nr. of notice	Datum Date	Ime Name	4673402006_SESALNA_ENOTA			Stran Page	1			