



IPC

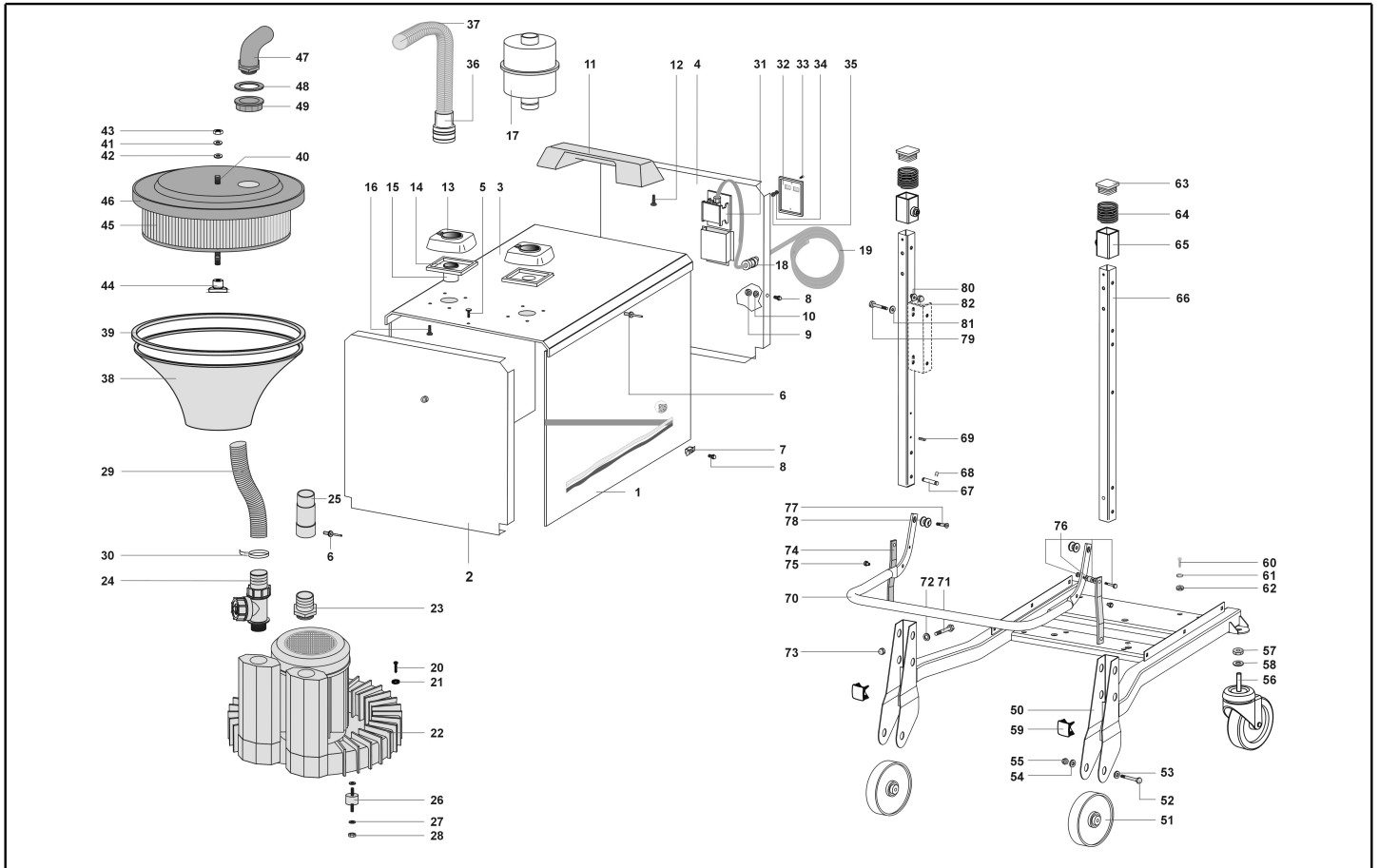
Spare parts list

Ref: ASID00364

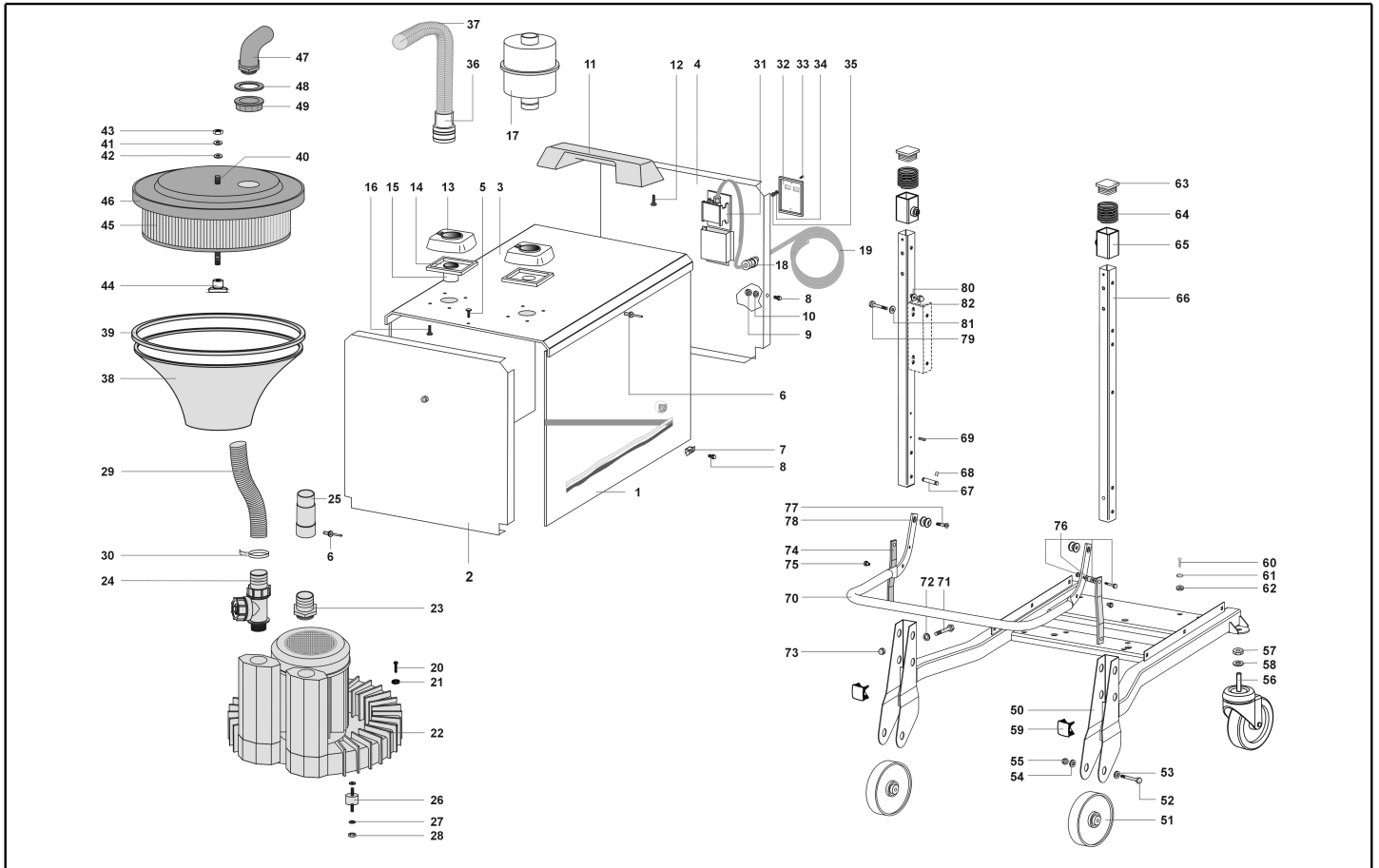
Cust.ref: ASID00364

Model: VACUUM CLEANER PLANET 140 GREEN LINE

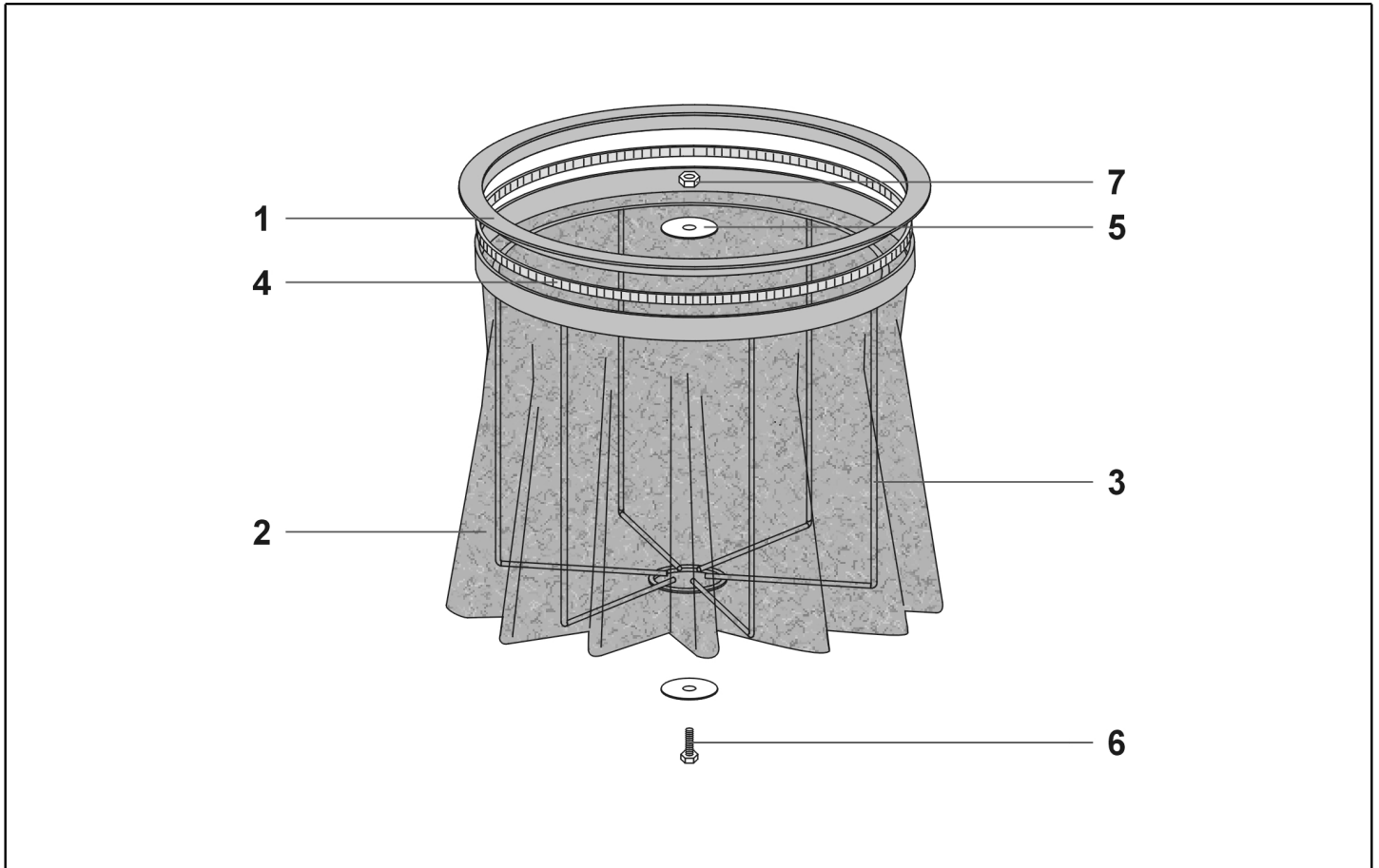
Cust.model: PLANET 140 GL



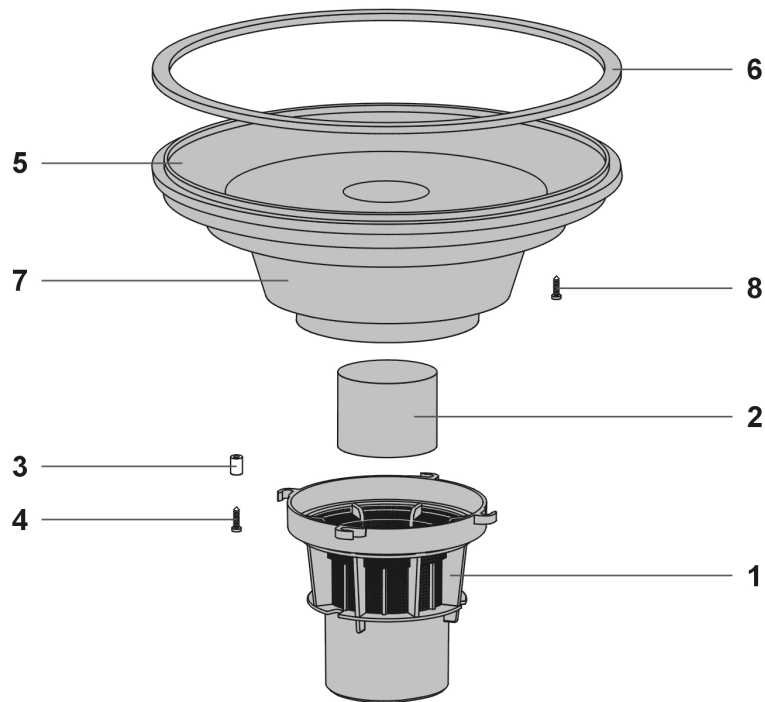
Ref. K	Part n.	Part n. 2	Description	Quantity	Validity		Price
					From	To	
*	PMFU02585		TANK 600 PLANET 60 TANG ALL. C	1,00	17/01/2017		--
*	FTDP88585		KIT RING+FIL.+CILINDR V600M	1,00	05/07/2018		--
*	PMFU02770		TANK DEC.600 PLANET 60 MAM COM	1,00	05/07/2018		--
*	KTRI04157		KIT FLOATING 600 PLANET	1,00			--
*	MECB01682		CONN.WIRE M.400-G/V-6,2-10,2-S2,5	1,00			--
0001	LAFN08550		PANEL LATERALE PLANET 155 GRIGI	2,00			--
0002	LAFN08721		PANEL POSTERIORE PLANET 130 GL	1,00			--
0003	LAFN08722		PANEL SUPERIORE PLANET 130 GL	1,00			--
0004	LAFN08547		PANEL FRONTALE PLANET 155 GRIGI	1,00			--
0005	VTVT01453		SCREW VITE TC PZ 4.2X16 ZN NERA	1,00	12/04/2018		--
0006	VTVR00394		BLACK RIVET 5X11	16,00			--
0007	VTDD72046		SQUARE NUT 5 MA	6,00			--
0008	VTVT01080		BOLT M 5X10 W/DUMMY WASHER	15,00			--
0009	VTDD71969		NUT NUT M 5	9,00			--
0010	VTRS00390		TOOTHED WASHER M5 UNI 8842	9,00			--
0011	MPVR09495		HANDLE MEC 600 BLACK	1,00			--
0012	VTVT71961		SCREW PFU TMT PHL 5X20 ZN NERA	4,00			--
0013	MPVR72129		COMPLETE INLET 99/60 BLACK	2,00			--
0014	GUGO37409		GASKET 99 BLACK	2,00			--
0015	MPVR72143		COUPLING 99	1,00			--
0016	VTVT71961		SCREW PFU TMT PHL 5X20 ZN NERA	8,00			--
0017	MPVR37401		SILENCER D.60	1,00			--
0018	MEVR72044		COMPLETE CABLE GLAND W/NUT	1,00			--
0019	MECB40090		ELECTRIC CORD 4X2,5 MT.8.5 W/O PLUG	1,00			--
0020	VTVT01088		SCREW TE M 10X16 UNI 5739	1,00			--
0021	VTRS00168		TOOTHED WASHER M10 UNI 8842	1,00			--
0022	TUVR00027		TURBINE 4KW ESAM	1,00			--
0023	RCVR00902		STRAIGHT CONNECTION 2" M D.50	1,00			--
0024	VVSC00039		VALVE VAC. BREAK.REG PLANET 130	1,00	06/09/2016		--
0025	EIDT00003		PLANET EJECTOR 130	1,00			--
0026	ABGO00058		ANTIVIB.FOOT D.40 H.30 2M8/18	3,00			--
0027	VTVR72041		WASHER 8X32 UNI6593	6,00			--
0028	VTDD71968		NUT M 8 UNI 5588	3,00			--
0029	TBFX00882		TUBE SUPERFLEX CALOR D.50 AL M	0,15			--
0030	FSVR72045		HOSE CLAMP D.60	2,00			--
0031	MEC118988		THERMAL SWITCH 6,3-10A	1,00			--
0032	MEVR89097		BOX WALL CASE IP55	1,00			--
0033	VTVT01228		SCREW TE M 4X10 UNI 5739	2,00			--
0034	VTRS00388		WASHER M 4 UNI 6592	2,00			--
0035	VTDD00232		NUT M 4 UNI 5588	2,00			--
0036	MPVR41815		COUPLING 99 FOR FLEX HOSE D.58/D.60	1,00			--
0037	TBFX00603		FLEXIBLE HOSE 58 HEAVY 60 CM	1,00			--
0038	MPVR37739		CONVEYOR 600 MAMMUT-TITAN	1,00			--
0039	GUVR37740		GASKET MIR. D.600 L=1200	1,00			--



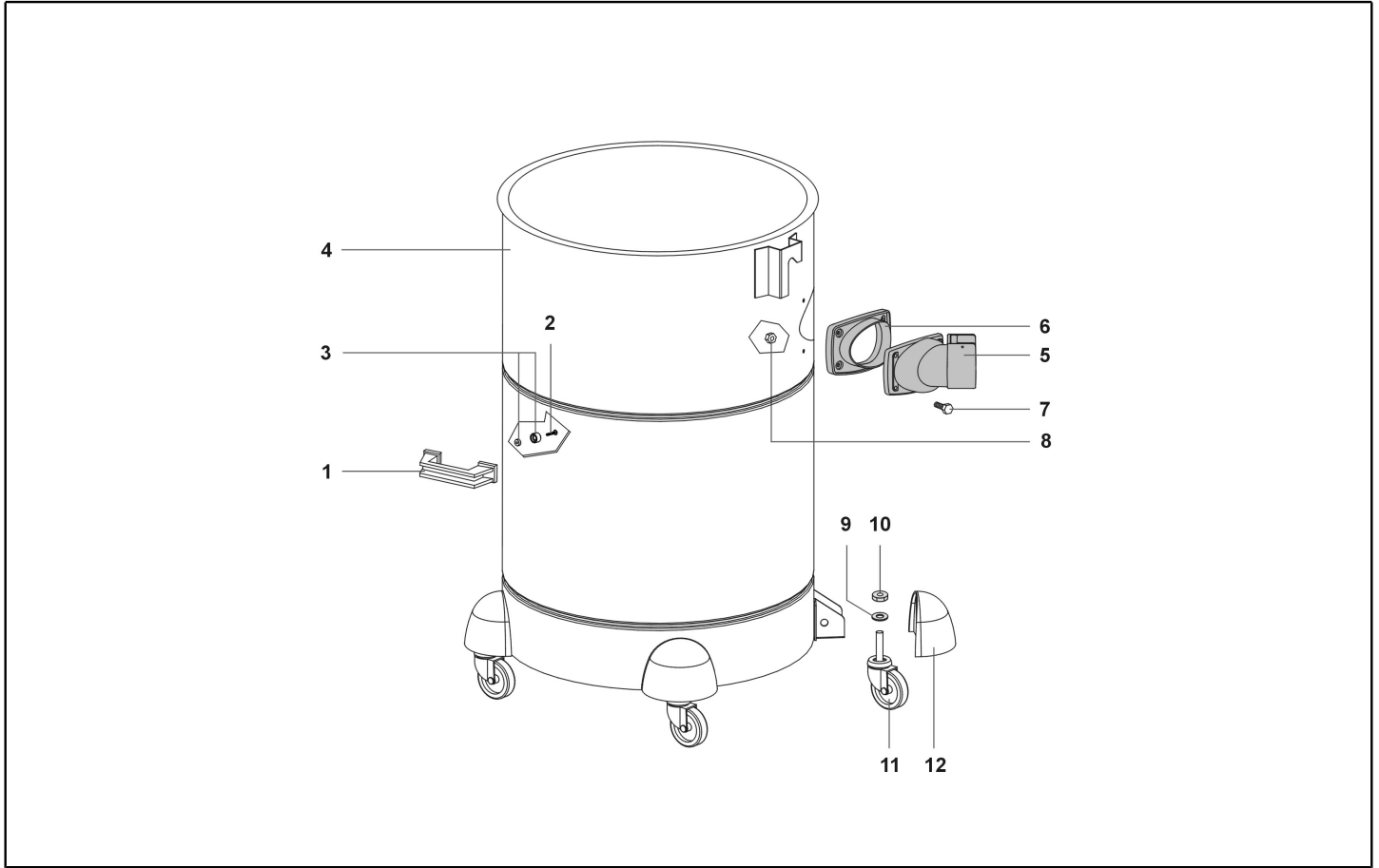
Ref. K	Part n.	Part n. 2	Description	Quantity	Validity		Price
					From	To	
0040	VTVT01474		SCREW TE M10X90 UNI 5739 ZB	1,00			--
0041	VTRS00423		WASHER GREMBIALINA M10X40 UNI659	3,00	05/07/2018		--
0042	GUGO28799		RUBBER WASHER D.32X13X3	2,00	05/07/2018		--
0043	VTDD72010		NUT 10 MA	1,00			--
0044	VTVR00346		HAND-WHEEL M 10 "F" 3 POINTS	1,00			--
0045	FTDP37747		CARTRIDGE D.300X240X110	1,00			--
0046	PMVR02910		PLANET COVER 155 W/GASKET	1,00			--
0047	RCVR72088		ELBOW 2"	1,00			--
0048	GUVR72089		GASKET 2"	1,00			--
0049	MPVR71996		RING 2"	1,00			--
0050	LAFN08720		FRAME PLANET 130 GL	1,00			--
0051	RTRT40008		FIXED WHEEL D.150 NYLON 6	2,00			--
0052	VTVT01225		SCREW TE M 10X70 UNI 5737 ZN	2,00			--
0053	VTRS71964		WASHER M 10	2,00			--
0054	VTRS71964		WASHER M 10	2,00			--
0055	VTDD00246		SELF-LOCJ.NUT M10 SMALL UNI7474	2,00			--
0056	RTRT89841		WHEEL D.150 M12X30 NYLON	2,00			--
0057	VTDD72060		LOW SELF-LOCKING NUT M 12	2,00			--
0058	VTRS00409		TOOTHED WASHER M12 UNI 8842	2,00			--
0059	MPVR06895		PLASTIC TOP 40X40	2,00			--
0060	VTVT01090		SCREW TE M 6X20 UNI 5739	1,00			--
0061	VTRS00404		TOOTHED WASHER M6 UNI 8842	2,00			--
0062	VTDD00222		NUT M 6 UNI 5588	1,00			--
0063	MPVR06916		PLASTIC TOP 35X35	2,00			--
0064	MLML00383		SPRING CART PLANET L/60	2,00			--
0065	LAFN40448		FITTING TANK GUIDE	2,00			--
0066	LAFN08636		UPRIGHT ADD. TRUNK PLANET 60	2,00			--
0067	LAFN08369		PIN FIXING LEVER	2,00			--
0068	VTAE00090		SHAFT RING TYPE & MEAS.8 UNI7435	4,00			--
0069	VTVR00363		ELASTIC PLUG D.4 L=20 UNI 6873	2,00			--
0070	LAFN08719		LEVER AGGANCIIO FUSTO SERIE GL	1,00			--
0071	VTVT01230		SCREW TE M 8X45 UNI 5737 Z.B	2,00			--
0072	VTRS00396		WASHER M 8 UNI 6592	2,00			--
0073	VTDD71968		NUT M 8 UNI 5588	2,00			--
0074	LAFN08371		LINK-ROD HOOKING TANK	2,00			--
0075	LAFN08368		CLAMP OF CLAMP HOOKING TANK	2,00			--
0076	LAFN10776		SPACER CON.ROD LEVE HOOKIN.TANK	2,00			--
0077	VTVT01223		SCREW TC CAVA ESAG M8X25 Z B UN	2,00			--
0078	RCDS00090		PIN GUIDE HOOKING TANK	2,00			--
0079	VTVT01226		SCREW TE M 8X50 Z.B UNI 5737	4,00			--
0080	VTRS00396		WASHER M 8 UNI 6592	4,00			--
0081	VTRS00396		WASHER M 8 UNI 6592	4,00			--
0082	VTDD00214		NUT M 8 UNI 5721	4,00			--



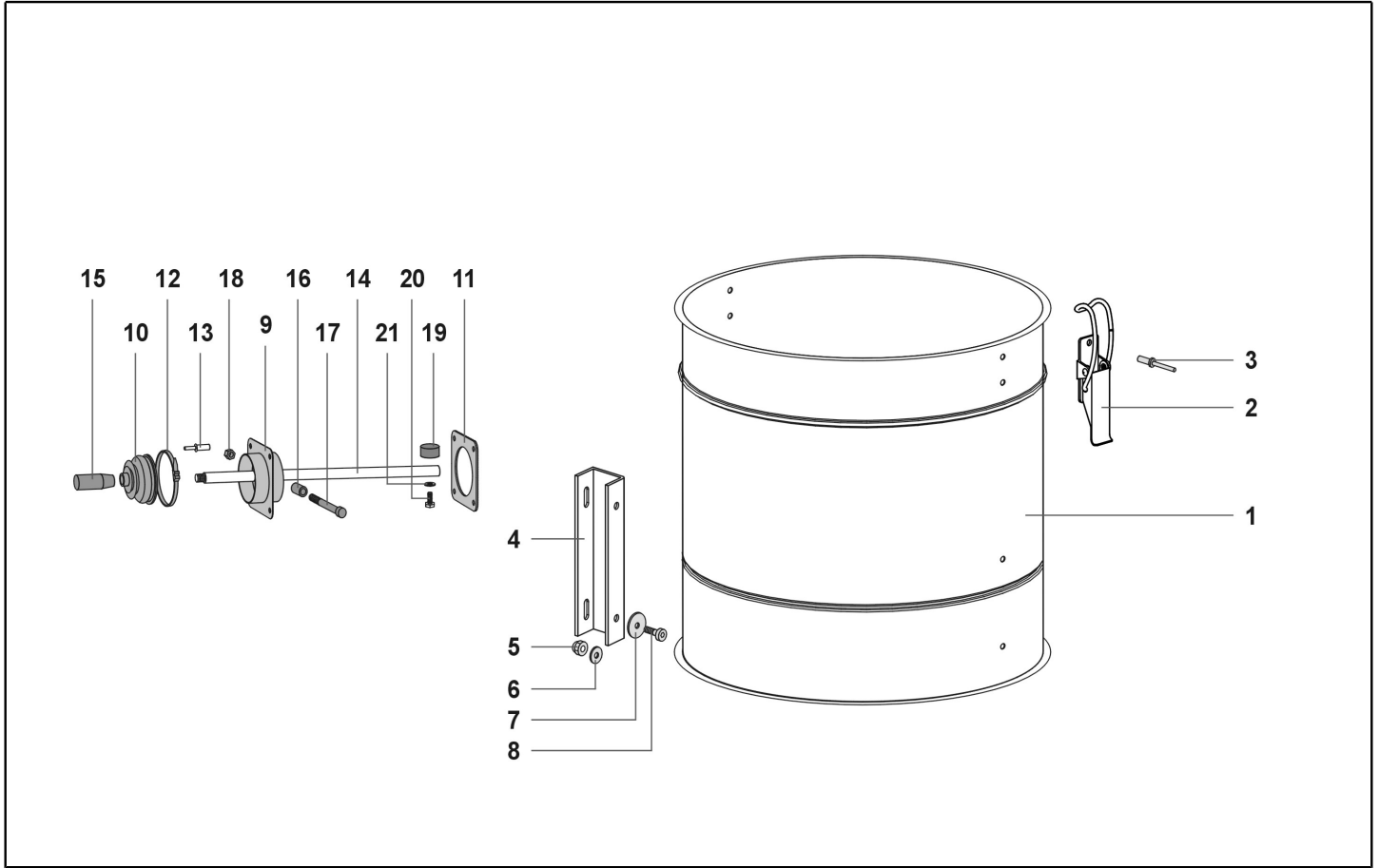
Ref. K	Part n.	Part n. 2	Description	Quantity	Validity		Price
					From	To	
0001	MPVR35495		FILTER RING 600	1,00			--
0002	FTDP88584		POLYESTERE FILTER V600M	1,00			--
0003	MPVR88838		BASKET V 600 M	1,00			--
0004	FSVR00148		CLAMP STRINGITUBO D.345-380	1,00			--
0005	PMVR04414		CAP D64 FILTERSHAKER PLANET	5,00			--
0006	VTVT01090		SCREW TE M 6X20 UNI 5739	1,00			--
0007	VTDD00230		SELF-LOCJ.NUT M 6 SMALL UNI 7474	1,00			--



Ref. K	Part n.	Part n. 2	Description	Quantity	Validity		Price
					From	To	
0001	MPVR40521		NET ANTIFOAM BODY HIGH	1,00			--
0002	RCGR00110		FLOATER HIGHER FLOAT 99 108GR	1,00			--
0003	MPVR35796		BUSHING PLASTIC SLEEVE D.8	4,00			--
0004	VTVT36751		SCREW SCREW PAT TMT PHL 5X25	4,00			--
0005	MPVR06668		SUPPORT CICLONE 600	1,00			--
0006	GLVR37740		GASKET MIR. D.600 L=1200	1,00			--
0007	MPVR28753		CONVEYOR MINUS	1,00			--
0008	VTVT71960		SCREW SCREW PAT TMT PHL 5X14 ZN	12,00			--



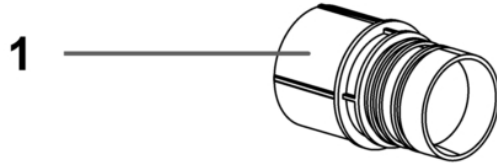
Ref. K	Part n.	Part n. 2	Description	Quantity	Validity		Price
					From	To	
0001	MPVR28737		BLACK HANDLE	2,00			--
0002	VTVT71966		SCREW PAT TMT PHL 5X30 BLACK	4,00			--
0003	GUVR76690		COMPLETE SEAL	4,00			--
0004	LAFN09865		TANK 600 PLANET 60 TANG.	1,00			--
0005	MFVR00281		PIPE UNION D60 TANG. ALL. COMP.	1,00			--
0006	MPVR07323		GASKET BOCCH. TANGENZIALE R205	1,00			--
0007	VTVT85000		SCREW M 5X25	4,00			--
0008	VTDD00223		BRASS NUT M 5 UNI 5588	4,00			--
0009	VTRS00409		TOOTHED WASHER M12 UNI 8842	3,00			--
0010	VTDD00245		NUT M 12 UNI 5588	3,00			--
0011	RTRT00453		WHEEL D.60 PIVOT GOMMA M12X25	3,00			--
0012	MPVR06894		CRANKCASE	3,00			--



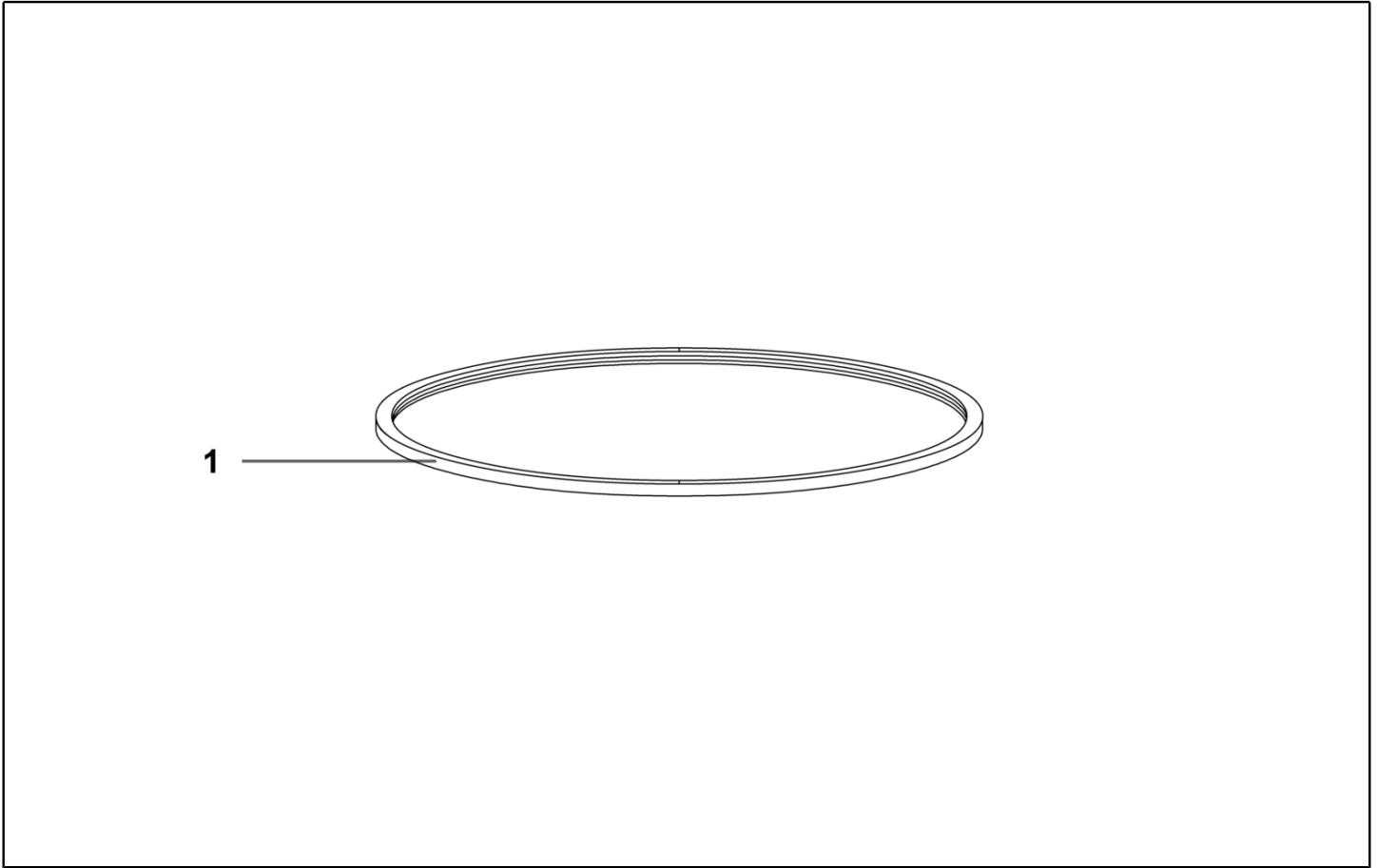
Ref. K	Part n.	Part n. 2	Description	Quantity	Validity		Price
					From	To	
0001	PMVR06584		TANK DEC.600 PLANET 60 MAM SC/	1,00			--
0002	CHVR40000		UNIVERSAL METAL HOOK	2,00			--
0003	VTVR71991		RIVET 5X11	4,00			--
0004	LAFN08372		TANK TANK PLANET	2,00			--
0005	VTDD00214		NUT M 8 UNI 5721	4,00			--
0006	VTRS00396		WASHER M 8 UNI 6592	4,00			--
0007	VTVR72041		WASHER 8X32 UNI6593	4,00			--
0008	VTVT01392		SCREW TBEI 8X16 UNI 7380 INOX	4,00			--
0009	LAFN88787		BELLOWS HOLDER F/FILTERSHAKER	1,00			--
0010	MPVR88788		BELLOWS PROTECTION PLANET 200	1,00			--
0011	GUGO88789		PLANET 100 SHAKER FILTER GASKET	1,00			--
0012	FSVR00074		CLIP 300X9	1,00			--
0013	VTVR00395		RIVET 4,8X15 INOX	4,00			--
0014	LAFN08493		LEVER SCUOTIFILTRO PLANET 150	1,00			--
0015	VTVR37754		KNOB M10x30 L=70	1,00			--
0016	MPVR06932		SPACER PLASTIC D.10 D.6,3X20	2,00			--
0017	VTVT01235		SCREW TE M 6X70 UNI 5737	1,00			--
0018	VTDD00230		SELF-LOCJ.NUT M 6 SMALL UNI 7474	1,00			--
0019	LAFN88792		DUMPING BASE BELT DRIVER M8 H=20	1,00			--
0020	VTVT01028		SCREW TE M 8X25 UNI 5739	1,00			--
0021	VTRS00427		TOOTHED WASHER M8 UNI 8842	1,00			--



Ref. K	Part n.	Part n. 2	Description	Quantity	Validity		Price
					From	To	
0001	FSVR72045		HOSE CLAMP D.60	1,00			--
0001	FSVR72045		HOSE CLAMP D.60	1,00			--



Ref. K	Part n.	Part n. 2	Description	Quantity	Validity		Price
					From	To	
0001	MPVR41815		COUPLING 99 FOR FLEX HOSE D.58/D.60	1,00			--
0001	MPVR41815		COUPLING 99 FOR FLEX HOSE D.58/D.60	1,00			--



Ref. K	Part n.	Part n. 2	Description	Quantity	Validity		Price
					From	To	
0001	GUVR40021		CONVEYOR GASKET 600 A	1,20			--
0001	GUVR40021		CONVEYOR GASKET 600 A	1,20			--



Ref. K	Part n.	Part n. 2	Description	Quantity	Validity		Price
					From	To	
0001	VTVT36751		SCREW SCREW PAT TMT PHL 5X25	1,00			--
0001	VTVT36751		SCREW SCREW PAT TMT PHL 5X25	1,00			--