

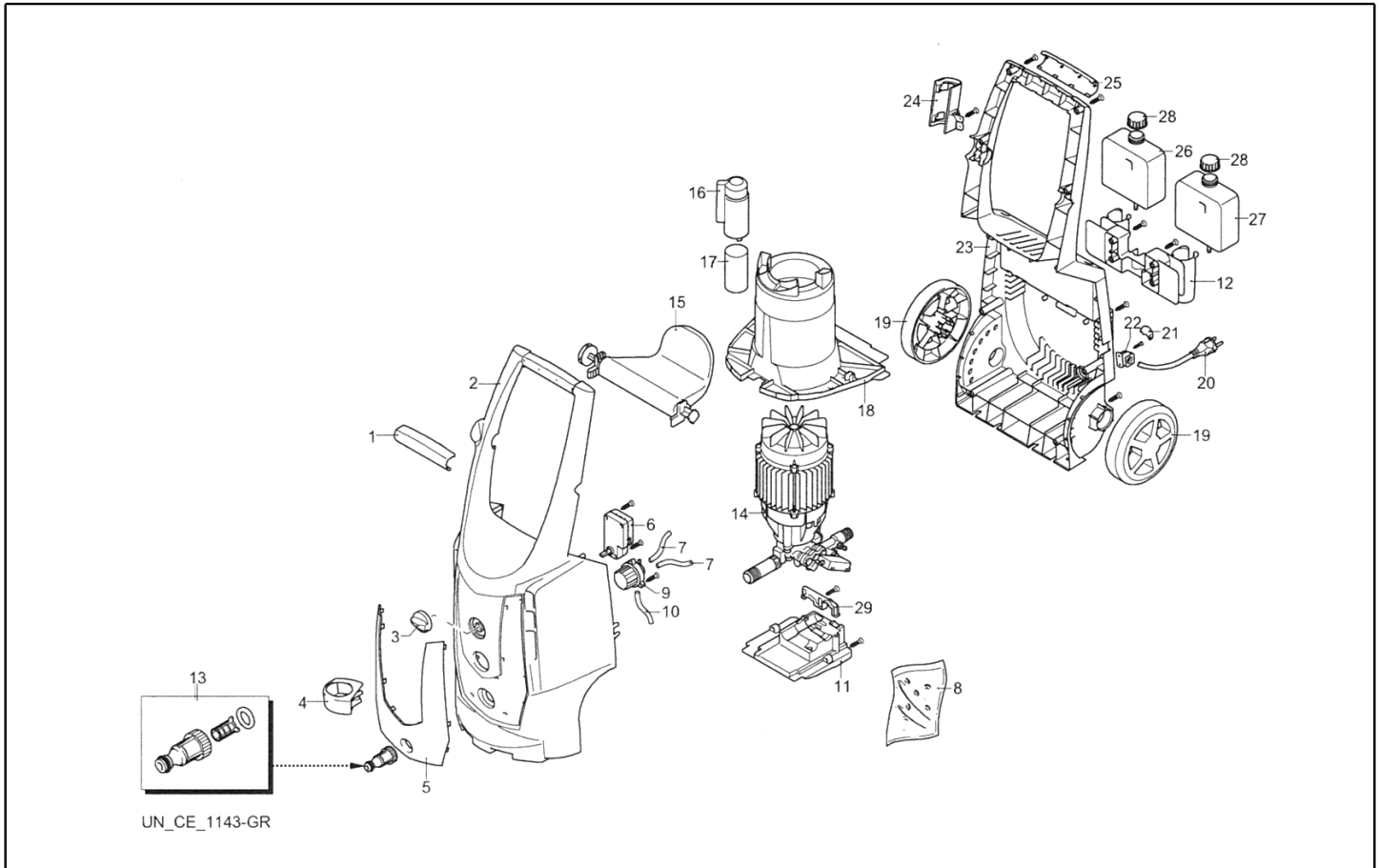


IPC

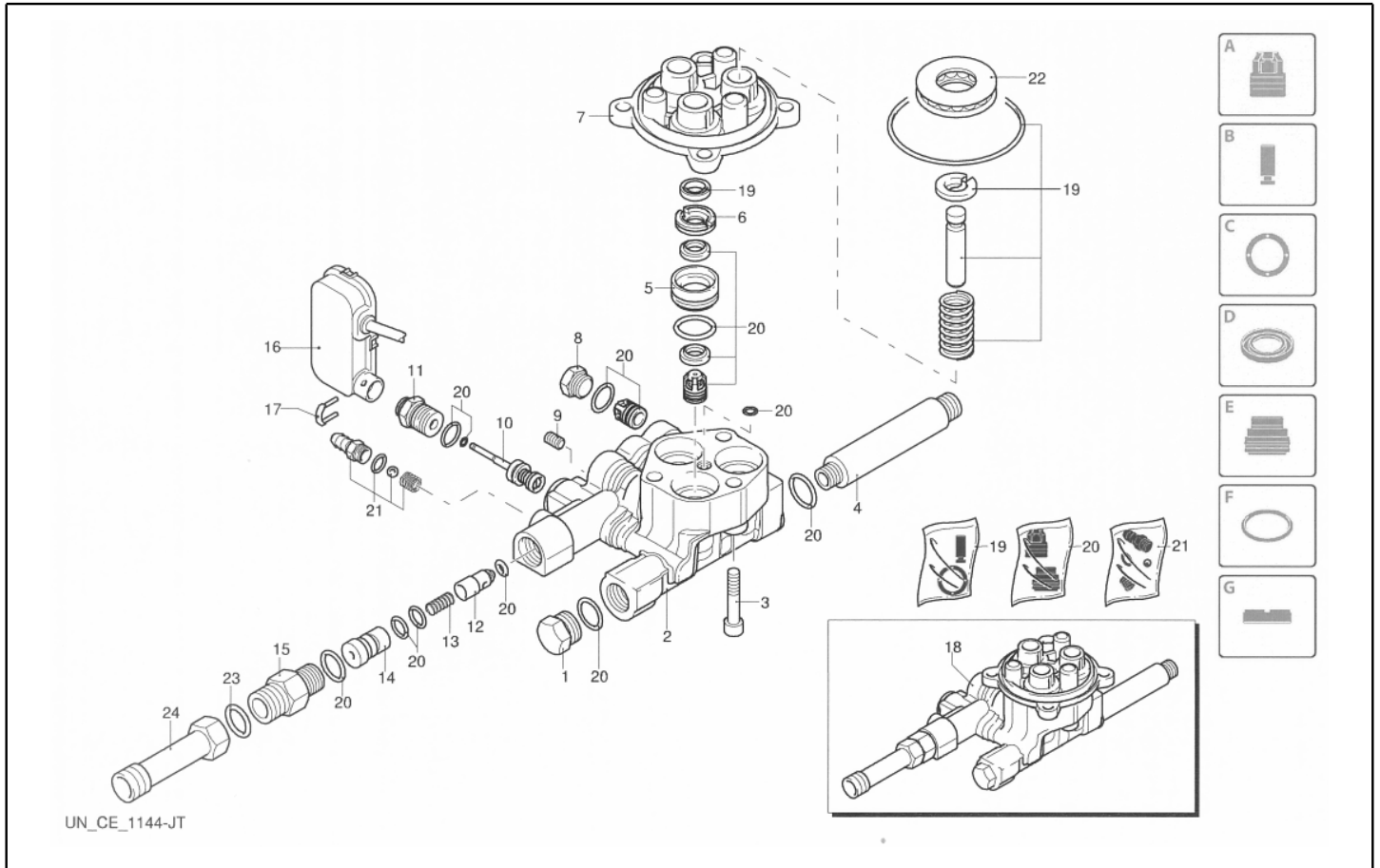
Spare parts list

Ref: IDAF94244

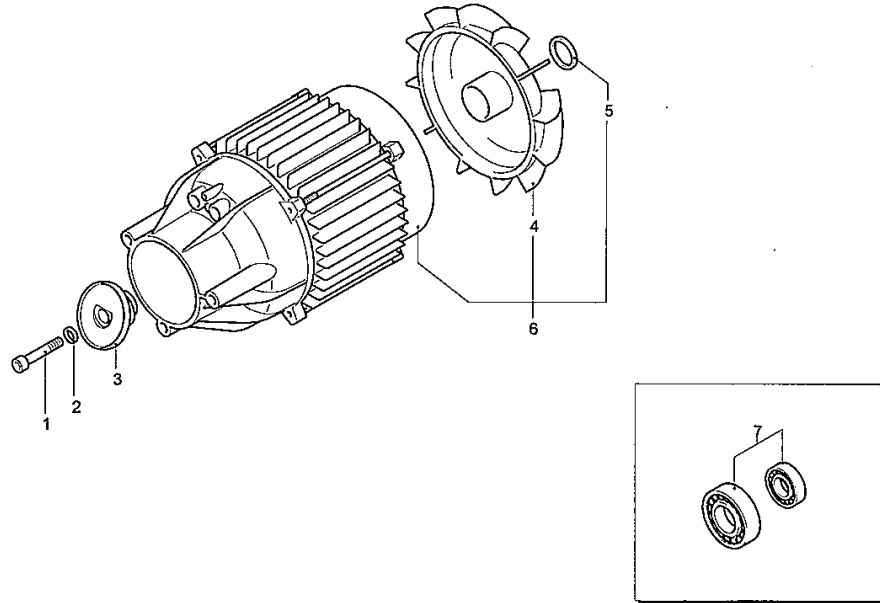
Model: H.P. CLEANER G165-C I1610AO 230/50 PRT



Ref. K	Part n.	Part n. 2	Description	Quantity	Validity		Price
					From	To	
0001	MPVR40463		HANDLE PW-C23 ANT.GR.	1,00			--
0002	MPVR40508		HOOD PW-C23 BK.	1,00			--
0003	MPVR40465		SWITCH KNOB PW-C23	1,00			--
0004	MPVR40466		SUPPORT PW-C23 BK.	1,00			--
0005	MPVR40509		INSERT PW-C23 RD.	1,00			--
0006	MPVR40468		CONTROL BOX PW-C23	1,00			--
0007	TBBP40061		L.P. HOSE D. 7-10 PW-C23	2,00			--
0008	KTRI40222		KIT P 4- 14 SCREW PW-C23	1,00			--
0009	RCGR40007		DETERGENT TAP PW-C23 2V.	1,00			--
0010	TBBP40062		L.P. HOSE D. 7-10 PW-C23/2	1,00			--
0011	MPVR40469		SUPPORT E.PMP PW-C23	1,00		08/09/2014	--
0011	MPVR40650		SUPPORT E.PMP PW-C23	1,00	09/09/2014		--
0012	MPVR40515		HANDLE PW-C23	1,00			--
0013	RCVR40103		SOCKET C10 3/4 F +FILT.	1,00			--
0014	PEL40044		GROUP PW-C23 3000W 230/50 2P.	1,00			--
0015	MPVR40470		HOSE SUPPORT PW-C23	1,00			--
0016	MPVR40471		SUPPORT PW-C23	1,00			--
0017	MECO40013		CAPACITOR 40 MF	1,00			--
0018	MPVR40472		CONVEYOR PW-C23	1,00			--
0019	RTRT40028		WHEEL D.175 PW-C23	2,00			--
0020	MECB40239		CABLE PVC 3X1.5 SCH.	1,00			--
0021	MPVR40473		CAP PW-C23	1,00			--
0022	MPVR40454		CABLE CLAMP PW-C10	1,00			--
0023	MPVR40475		FRAME PW-C23 BK	1,00			--
0024	MPVR40464		SUPPORT PW-C23 SUP.	1,00			--
0025	MPVR40477		HANDLE PW-C23 PST.GR.	1,00			--
0026	MPVR40512		TANK PW-C23 DX	1,00			--
0027	MPVR40513		TANK PW-C23 SX	1,00			--
0028	MPVR40480		TANK CAP PW-C23 BK.	2,00			--
0029	MPVR40719		SUPPORT E.PMP PW-C23	1,00	09/09/2014		--

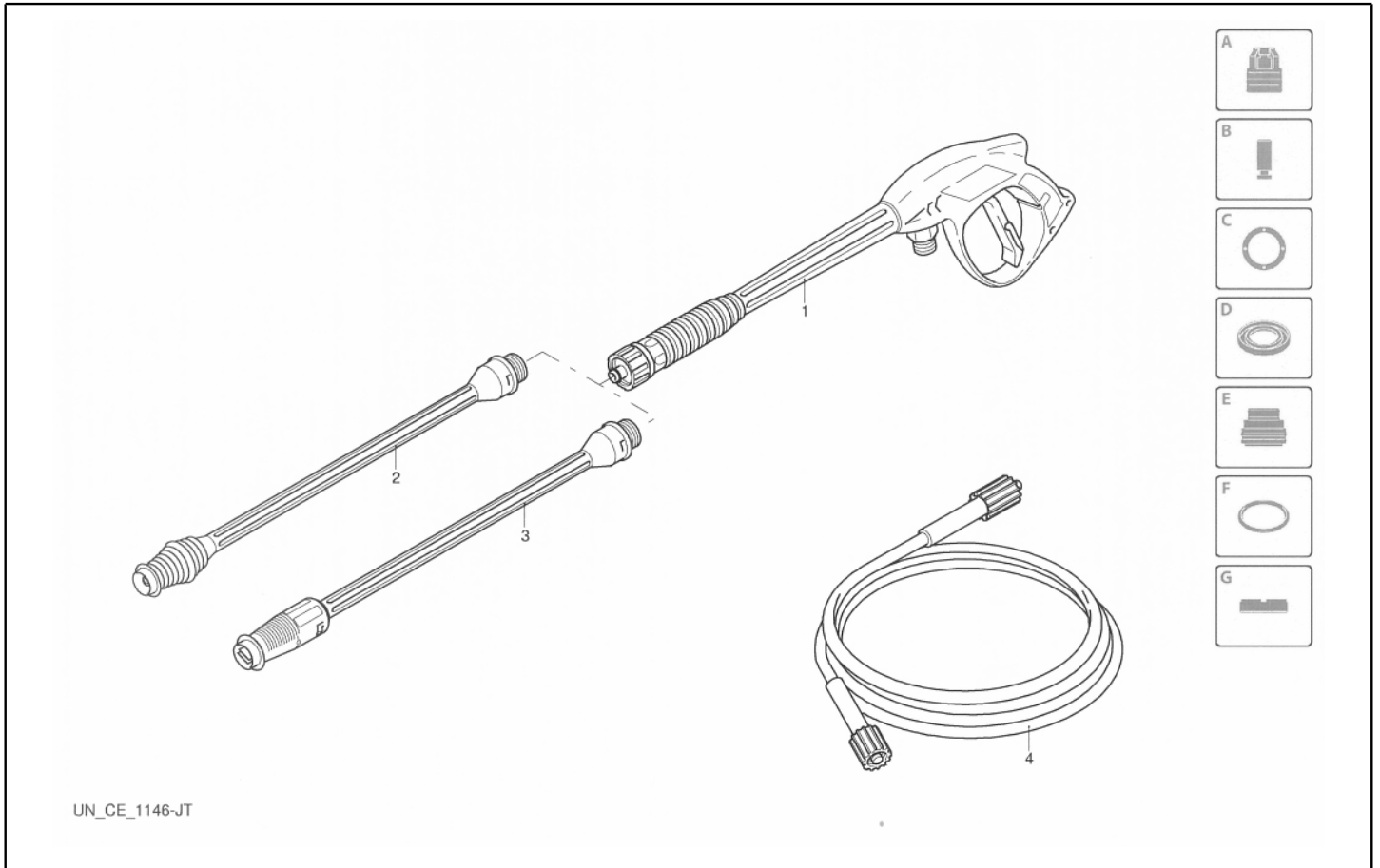


Ref. K	Part n.	Part n. 2	Description	Quantity	Validity		Price
					From	To	
0001	PVVR40099		CAP 3/8 M HRM	1,00			--
0002	MFVR40059		HEAD AR C23 OT	1,00			--
0003	VTVT28306		SCREW TCCE UNI 5931 8X45 ZB	3,00			--
0004	RCDS40150		CONNECTOR G151	1,00			--
0005	PVVR40088		PACKING RETAIN. D. 12 HRM	3,00			--
0006	PVVR40089		INTERMED. RING D. 12 HRM	3,00			--
0007	MFVR40058		PISTON GUIDE POMPA AR C23	1,00			--
0008	PVVR40087		CAP AR HRM	3,00			--
0009	PVVR40358		SCREW SEDE SFERA AR	1,00			--
0010	KTRI40229		KIT P 15-510 PISTON+SPRING TST	1,00			--
0011	PVVR40097		PISTON GUIDE AR TSS	1,00			--
0012	PVVR40091		COUPLING AR HRM	1,00			--
0013	MLML32257		SPRING D. 6.5 X14 D.0.5	1,00		08/09/2014	--
0013	MLML40034		SPRING BY PASS	1,00	09/09/2014		--
0014	PVVR40359		INJECTOR G151	1,00			--
0015	RCDS40151		CONNECTOR INJECTOR G151	1,00			--
0016	MEPF40020		PRESSURE SWITCH AR TSS	1,00			--
0017	LAFN40212		PLUG "U" AR TSS	1,00			--
0018	PPAP40107		PUMP AR G165 PREM.	1,00			--
0019	KTRI40230		KIT P 15-42754 G151	1,00			--
0020	KTRI40231		KIT P 15-42755 G151	1,00			--
0021	KTRI40232		KIT P 15-42756 DET.SUC. G151	1,00			--
0022	CUVR40019		BEARING AR	1,00			--
0023	GUGO01056		O-RING D. 18.72 X 2.62 NBR 70SH	1,00			--
0024	RCDS40152		INTAKE CONNECT. G151	1,00			--



UN_CE_1543-KR

Ref. K	Part n.	Part n. 2	Description	Quantity	Validity		Price
					From	To	
0001	VTVT06237		SCREW TCEI 6X20 UNI5931	1,00			--
0002	VTRS40018		WASHER D. 6 X10 GROWER	1,00			--
0003	PVVR40361		CAP G161	1,00			--
0004	VEVR40011		IMPELLER C23	1,00			--
0005	VTVR40046		RING C23	1,00			--
0006	MOMO40034		1PH MOTOR ARC23 W 2500 230-50 AR	1,00			--
0007	KTRI40296		KIT P 15-43056 BEARING AR	1,00	09/09/2014		--



Ref. K	Part n.	Part n. 2	Description	Quantity	Validity		Price
					From	To	
0001	IPPR40012		GUN BIT +P270 +M22 M	1,00			--
0002	LCPR40079		LANCE R.POWER P 440 +M22 D.1.07	1,00			--
0003	LCPR40074		LANCE M.REG P 440 +M22 D.1,07GR	1,00			--
0004	TBAP40107		H.P. HOSE SAE MT 8 1/4 -2IRV	1,00			--