

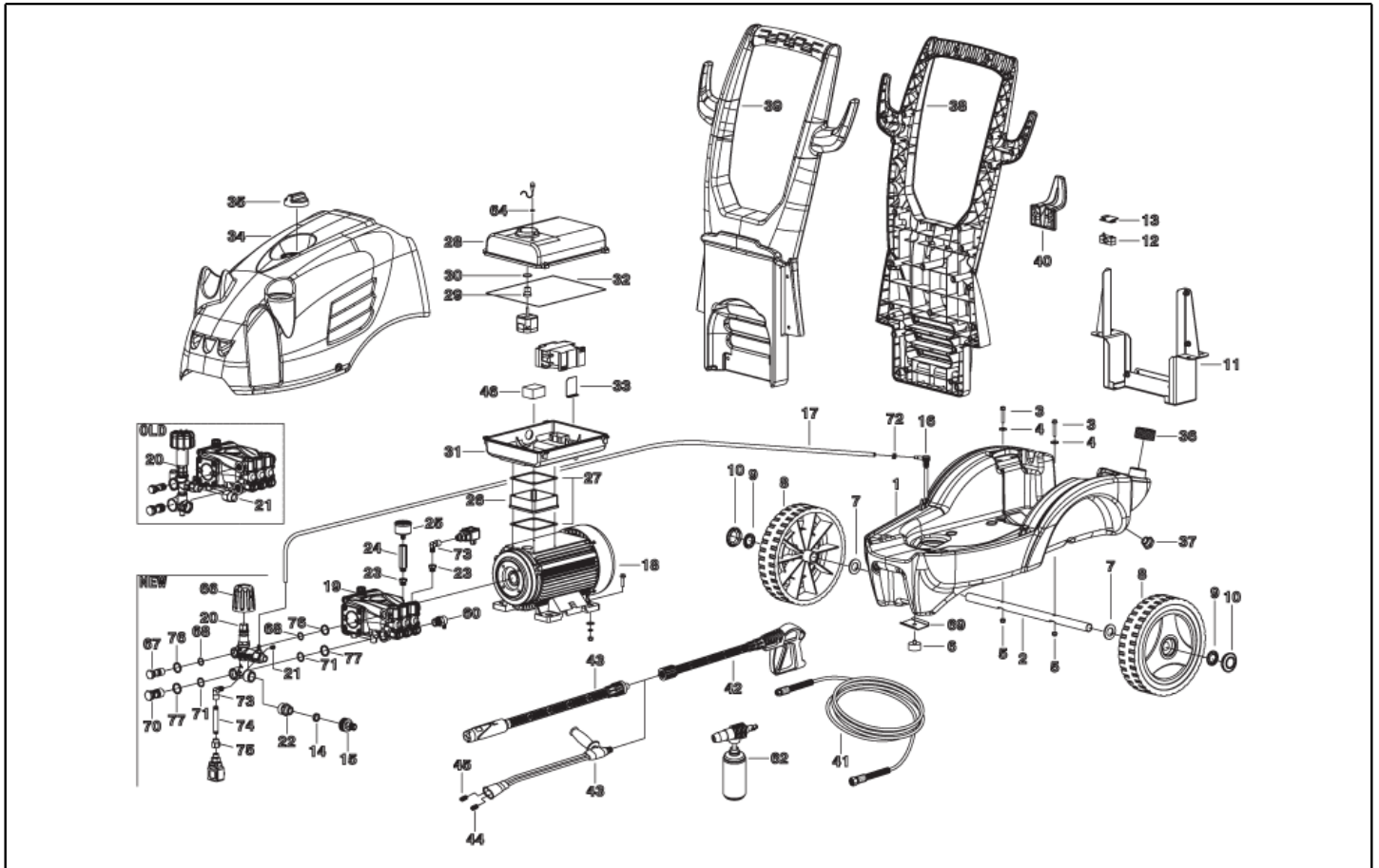


IPC

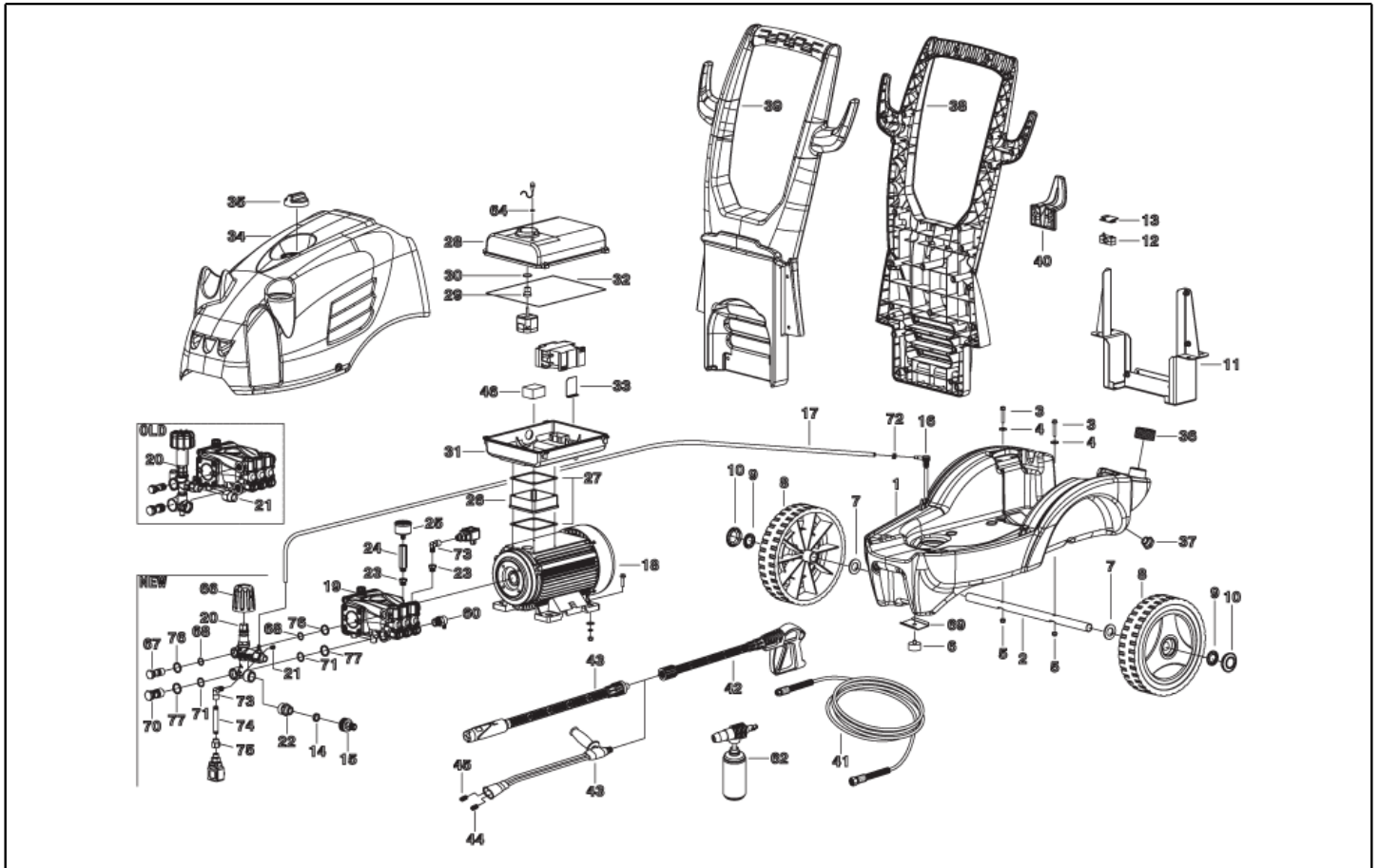
Spare parts list

Ref: IDAF40420

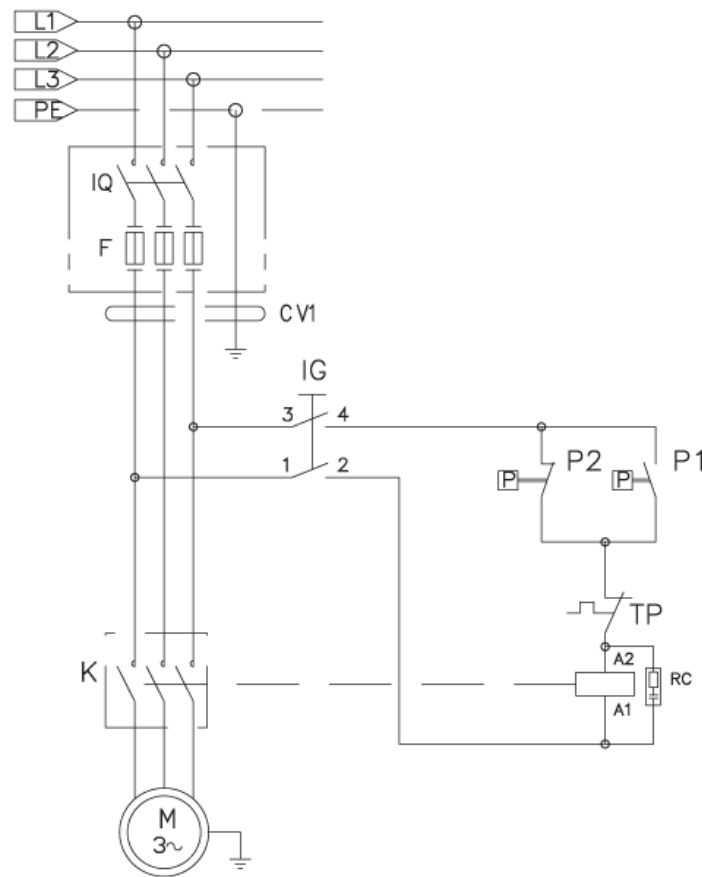
Model: H.P. CLEANER N.ELT-C I1813P T400/50PRT



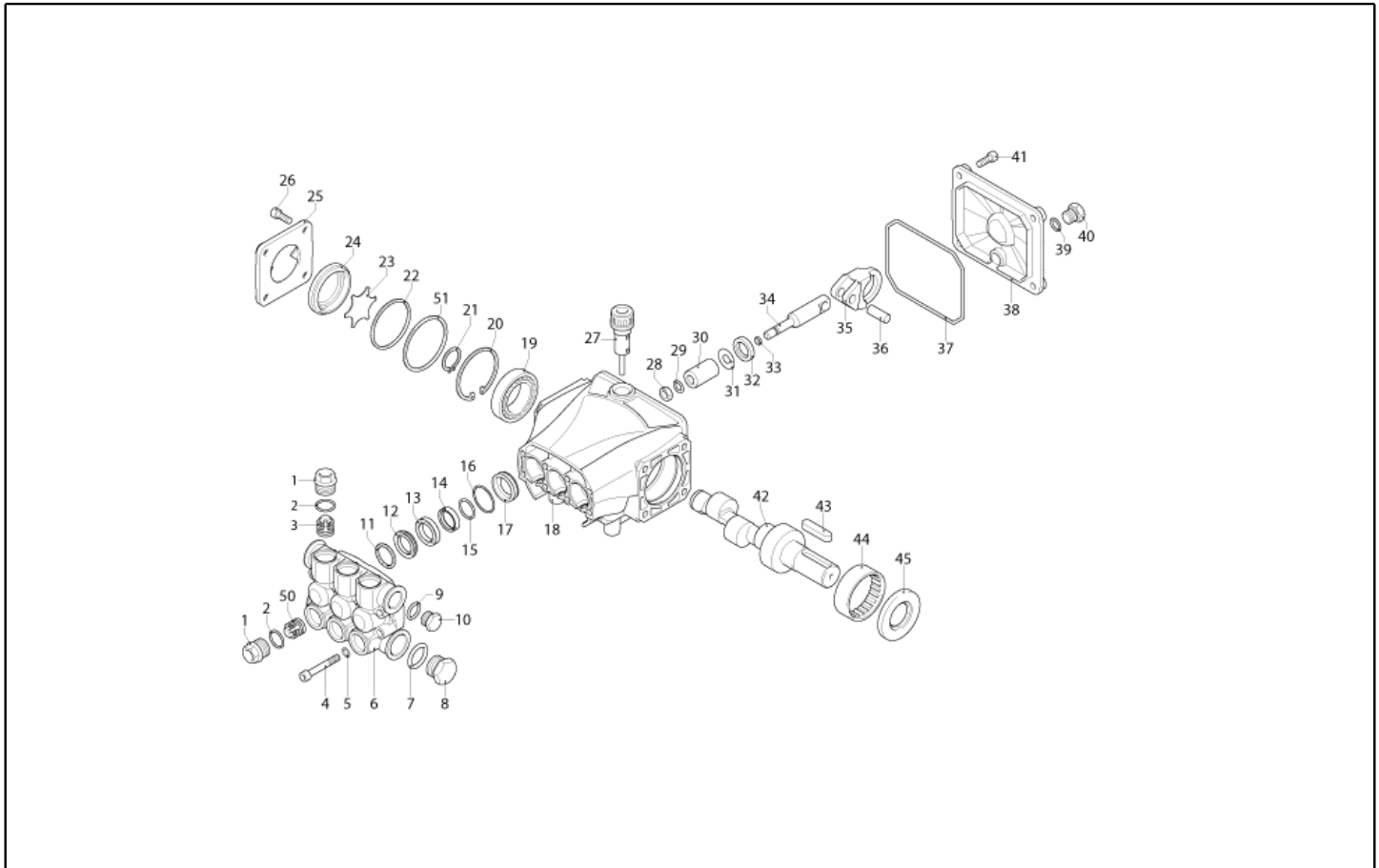
Ref. K	Part n.	Part n. 2	Description	Quantity	Validity		Price
					From	To	
0001	MPVR40329		CHASSIS PW-C40 PEHD BK	1,00			--
0002	LAFN40450		TROLLEY AXLE PW-C40 D.20 ZC.	1,00			--
0003	VTRS13945		WASHER D. 6X18 INX UNI 6593	2,00			--
0004	VTVT06242		SCREW TE M 6X 35 F/RD.ZN	2,00			--
0005	VTDD00491		NUT M 6 TEF	2,00			--
0006	ABGO40000		VIBRATION DAMP. 30X15- 1M8X 8 60SH GMn	1,00			--
0007	VTRS00509		WASHER D.20 PIANA Z. UNI6592	2,00			--
0008	RTRT40019		WHEEL D.250-D.20X 58 RES BK.	2,00			--
0009	VTRS28558		WASHER D.20	2,00			--
0010	MPVR40343		BLACK CAP D.50 G-48 BK.	2,00			--
0011	LAFN40456		BRACKET PW-C40 BK.	1,00			--
0013	LAFN40457		SUPPORT PW-C40	1,00	01/05/2014		--
0014	FTDT12702		FILTER PA	1,00			--
0015	RCVR29600		SOCKET PTC 3/4 F	1,00			--
0016	RCDS40110		SUCTION L= 110 -2 O-RING	1,00			--
0017	TBBP62474		L.P. HOSE D. 7-10 CR.	0,50			--
0018	MOTR40028		3PH MOTOR C40/AC HP 5.5 400-50 2P	1,00	01/05/2014		--
0018	MOTR40028		3PH MOTOR C40/AC HP 5.5 400-50 2P	1,00		30/04/2014	--
0019	PPAP40056		PUMP RCS 13.18 DX N	1,00	01/05/2014		--
0019	PPAP40056		PUMP RCS 13.18 DX N	1,00		30/04/2014	--
0020	VVAZ40022		VALVE AR M.MATIC 4/B-CR+TS/I.ET	1,00		30/04/2014	--
0020	VVAZ40029		VALVE VRF-2 AR-R AF I.2.1	1,00	10/04/2016		--
0020	VVAZ40064		VALVE VRZ-RC +TSS L.90 I.2.0	1,00	01/05/2014	09/04/2016	--
0021	RCDS59682		CAP 1/8 M OT.NIK EI.CN	1,00	01/10/2017		--
0021	RCVR40096		CAP 1/8 M OT.NIK EI	1,00	10/04/2016	30/09/2017	--
0022	RCDS87610		NIPPLE 3/4 - 1/2 CB D.13.0	1,00	01/05/2014		--
0023	PVVR40183		CAP AR RC C/F. 1/8F+OR	2,00	10/04/2016		--
0024	RCDS40111		COLUMN M-F 1/8 L=65 MM OT.	1,00	01/05/2014		--
0025	MNMN18650		PRESSURE GAUGE 0-300 D.40	1,00		23/01/2013	--
0025	MNMN93800		PRESSURE GAUGE 1/8 POST. 0-300 D.40 S/ST	1,00	01/05/2014		--
0026	MPVR13033		SPACER SIC H90	1,00			--
0027	GUGO10881		GASKET M.EL. 73X73	1,00			--
0027	GUGO10881		GASKET M.EL. 73X73	1,00	01/05/2014		--
0028	MPVR40335		BOX COVER PW-C40 ABS BK.	1,00	01/05/2014		--
0029	MPVR23482		SWITCH TANG TEC. TUV	1,00	01/05/2014		--
0030	GUGO25527		O-RING D. 14 X 3 NBR 70SH	1,00	01/05/2014		--
0031	MPVR40334		CONTROL BOX PW-C4/50 ABS BK.	1,00	01/05/2014		--
0032	GUGO11309		JOINT MOUSSE D. 3	1,00		14/10/2011	--
0032	GUGO33675		JOINT MOUSSE D. 4	0,90	01/05/2014		--
0033	LAFN40458		SUPPORT PW-C40 INX	1,00	01/05/2014		--
0034	MPVR40339		RED COVER PW-C40 PPL	1,00			--
0035	MPVR49057		BLACK KNOB P176-M.RACE PA6	1,00			--
0036	MPVR40849		TANK CAP 1-1/4F C/FR. d.1.5	1,00	10/10/2016		--
0036	MPVR60848		TANK CAP 1-1/4F	1,00		09/10/2016	--



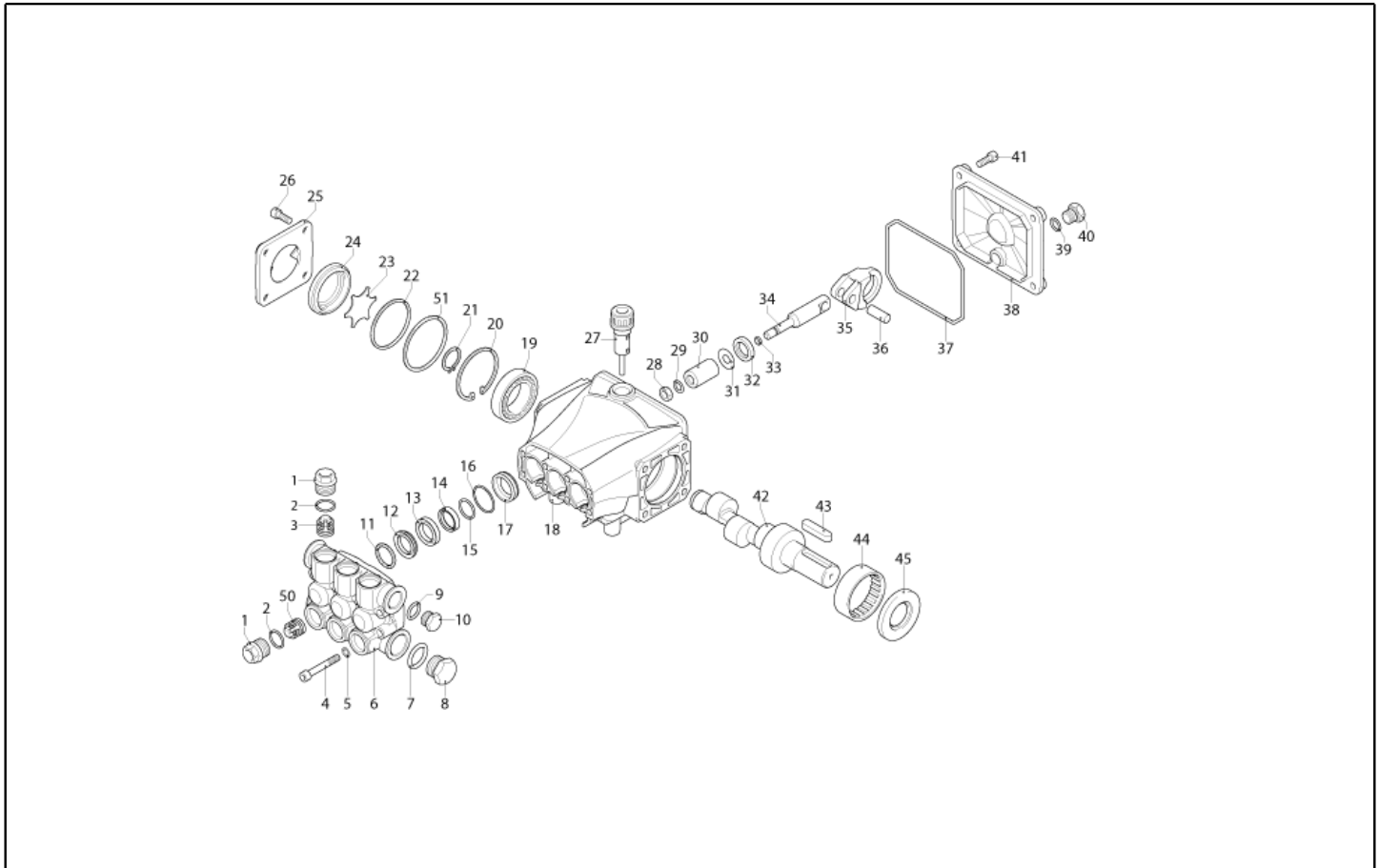
Ref. K	Part n.	Part n. 2	Description	Quantity	Validity		Price
					From	To	
0037	RCVR40046		CAP 1/4 M OT.NIK EI D. 6	1,00			--
0038	MPVR40346		HANDLE PW-C4/50 PST.BS PP BK.	1,00			--
0039	MPVR40347		HANDLE PW-C4/50 ANT.BS PP BK.	1,00			--
0040	MPVR80139		HOSE REEL H110	1,00	01/12/2011		--
0041	TBAP25324		H.P. HOSE R1 MT 10 5/16" C/2 IRV ZC	1,00			--
0042	IPPR40010		GRIP G 5100+P.330 +M22 SW.M V	1,00		29/02/2016	--
0042	IPPR40020		GRIP G 6000+P.330 +M22 SW.M V	1,00	01/03/2016	14/06/2018	--
0042	IPPR40025		GRIP G 6000+P.330 +M22 SW.M 2V	1,00	15/06/2018		--
0043	LCPR40046		EXTENSION P 580 - T10P 1.50 AZZ	1,00			--
0066	PVVR40471		KNOB VRF-2 A.sf.	1,00	01/04/2018		--
0067	RCDS40172		SCREW 3/8 VRF-2 OT 4F.	1,00	10/04/2016		--
0068	GUGO03510		O-RING D. 12.37 X 2.62 NBR 70SH	2,00	10/04/2016		--
0069	LAFN40714		REINFORCEMENT PW-C40 ZC.	1,00	01/03/2017		--
0070	RCDS40171		SCREW G 1/2 VRF-2 OT. 2F.	1,00	10/04/2016		--
0071	GUGO01048		O-RING D. 15.88 X 2.62 NBR 70SH	2,00	10/04/2016		--
0072	FSVR11957		CLAMP D. 9.5-12 CLIC	1,00	01/02/2016		--
0072	FSVR40006		CLAMP D 9.8 - 10.4	1,00	01/12/2011	31/01/2016	--
0073	RCDS40176		ELBOW 1/8" M/F CN. L=24 OT.	1,00	10/04/2016		--
0074	RCDS40167		CONNECTOR L= 70 2X1/8M CN. IX.	1,00	10/04/2016		--
0075	RCVR02589		SLEEVE 1/8-1/4 F A6	1,00	10/04/2016	30/11/2017	--
0075	RCVR45741		NOZZLE HOLDER 1/4-1/8 F MTM	1,00	01/12/2017		--
0076	VTRS00548		WASHER D.17,5X23X1,5 (3/8)RM	1,00	10/04/2016		--
0077	VTRS00549		WASHER D.21,5X27X1,5 (1/2) RM	1,00	10/04/2016		--



Ref. K	Part n.	Part n. 2	Description	Quantity	Validity		Price
					From	To	
K	METT40013		CONTACTOR SIE 3RT 2017-1AV01 400V	1,00	15/10/2014		--
K	METT40664		CONTACTOR SIE 3RT 1017 1AV01 400V	1,00	01/05/2014	14/10/2014	--
IG	MECI40020		SWITCH BRM BP. 0-1 12A	1,00	15/10/2014		--
P1	MEPF39741		PRESSURE SWITCH MTM 1/8M NA/NC 25B. MICRO	1,00	10/04/2016		--
P2	MEPF39902		PRESSURE SWITCH MTM 1/4M NA/NC 25B. MICRO	1,00	10/04/2016		--
RC	MECE40054		FILTER RC 3RT2916-1CF0	1,00	10/04/2016		--
CV1	MECB40002		CABLE H07 RNF 4X1.5 L=6.500	1,00	01/05/2014		--



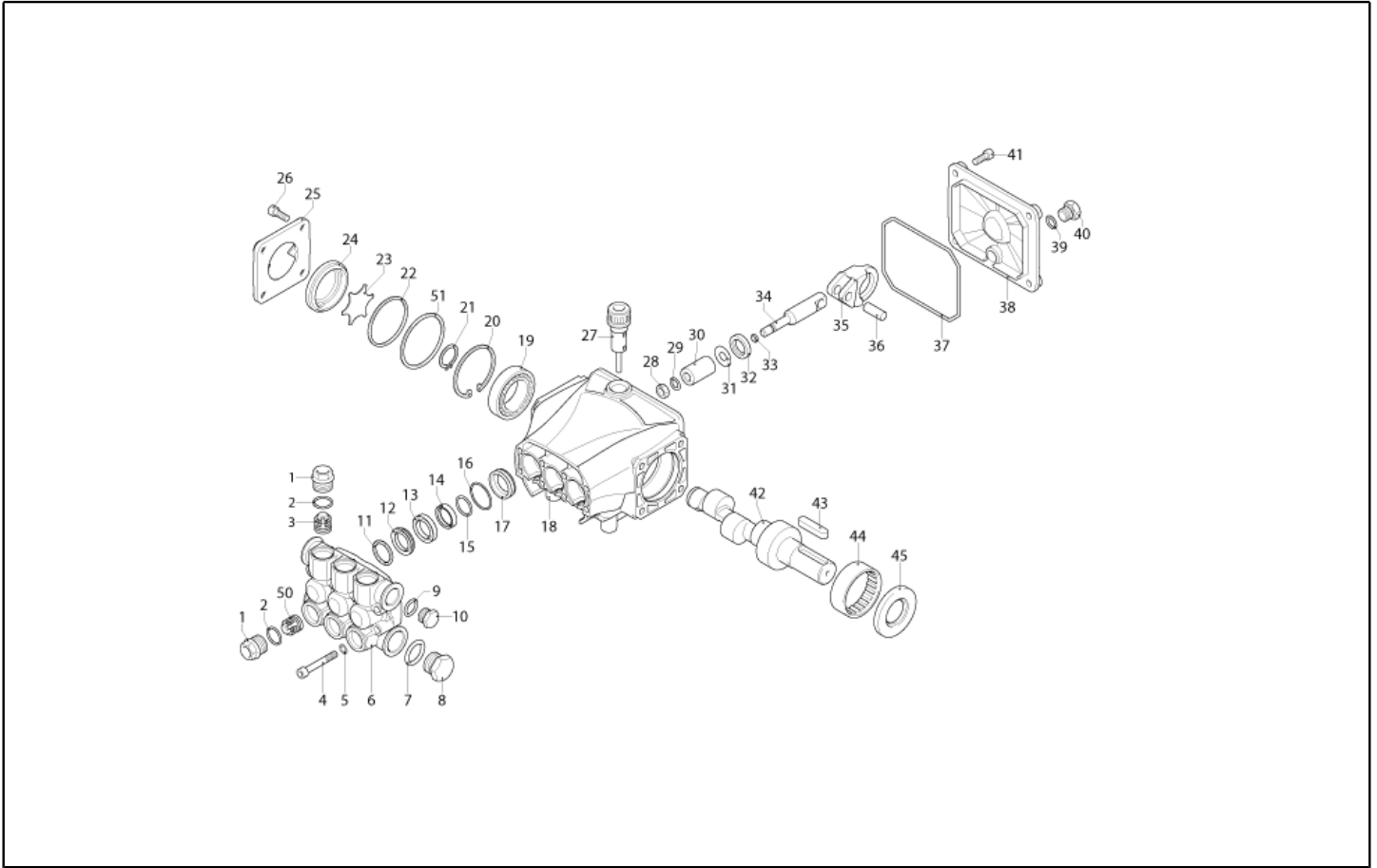
Ref. K	Part n.	Part n. 2	Description	Quantity	Validity		Price
					From	To	
0001	PVVR40120		CAP AR RC	6,00			--
0001	PVVR40120		CAP AR RC	6,00			--
0002	GUGO03505		O-RING D. 15.6 X 1.78 NBR 70SH	6,00			--
0002	GUGO03505		O-RING D. 15.6 X 1.78 NBR 70SH	6,00			--
0003	S	VVAM40002	VALVE UNIT RC	6,00		31/07/2012	--
0003	S	VVAM40002	VALVE UNIT RC	6,00		31/07/2012	--
0003	S	VVAM40002	VALVE UNIT RC	3,00	01/08/2012		--
0003	S	VVAM40002	VALVE UNIT RC	3,00	01/08/2012		--
0004	VTVT06236		SCREW TCCE UNI 5931 6X40 ZB	8,00			--
0004	VTVT06236		SCREW TCCE UNI 5931 6X40 ZB	8,00			--
0005	VTRS01077		WASHER D. 6,4X10X0,7	8,00			--
0005	VTRS01077		WASHER D. 6,4X10X0,7	8,00			--
0006	MFVR40026		HEAD AR RCS OT.	1,00			--
0006	MFVR40026		HEAD AR RCS OT.	1,00			--
0007	GUGO19245		O-RING D. 17.5 X 2 NBR 70SH	1,00			--
0007	GUGO19245		O-RING D. 17.5 X 2 NBR 70SH	1,00			--
0008	PVVR40121		CAP 1/2 M RC	1,00			--
0008	PVVR40121		CAP 1/2 M RC	1,00			--
0009	GUGO09720		O-RING D. 14 X 1.78 NBR 70SH	1,00			--
0009	GUGO09720		O-RING D. 14 X 1.78 NBR 70SH	1,00			--
0010	PVVR40099		CAP 3/8 M HRM	1,00			--
0010	PVVR40099		CAP 3/8 M HRM	1,00			--
0011	S	PVVR40158	HEAD RING D. 15 RCS	3,00			--
0011	S	PVVR40158	HEAD RING D. 15 RCS	3,00			--
0012	S	GUVVR40028	PACKING D. 15 XJS	3,00			--
0012	S	GUVVR40028	PACKING D. 15 XJS	3,00			--
0013	PVVR40159		INTERMED. RING D. 15 RCS	3,00			--
0013	PVVR40159		INTERMED. RING D. 15 RCS	3,00			--
0014	S	GUVVR40041	PACKING D. 15 RCS L.P.	3,00			--
0014	S	GUVVR40041	PACKING D. 15 RCS L.P.	3,00			--
0015	S	GUVVR40042	ANTI-EXTR.RING D.15	3,00			--
0015	S	GUVVR40042	ANTI-EXTR.RING D.15	3,00			--
0016	S	GUGO08182	O-RING D. 21.91 X 1.78 NBR 70SH	3,00			--
0016	S	GUGO08182	O-RING D. 21.91 X 1.78 NBR 70SH	3,00			--
0017	PVVR40160		PACKING RETAIN. D. 15 RCS	3,00			--
0017	PVVR40160		PACKING RETAIN. D. 15 RCS	3,00			--
0018	MFVR40027		PUMP CRANKCASE AR RCS	1,00			--
0018	MFVR40027		PUMP CRANKCASE AR RCS	1,00			--
0019	CUVR28336		BALL BEARING 6304	1,00			--
0019	CUVR28336		BALL BEARING 6304	1,00			--
0020	VTAE09661		CIRCLIP D. 52 UNI 7437	1,00			--
0020	VTAE09661		CIRCLIP D. 52 UNI 7437	1,00			--
0021	VTAE06193		CIRCLIP D. 20 UNI 7435	1,00			--
0021	VTAE06193		CIRCLIP D. 20 UNI 7435	1,00			--



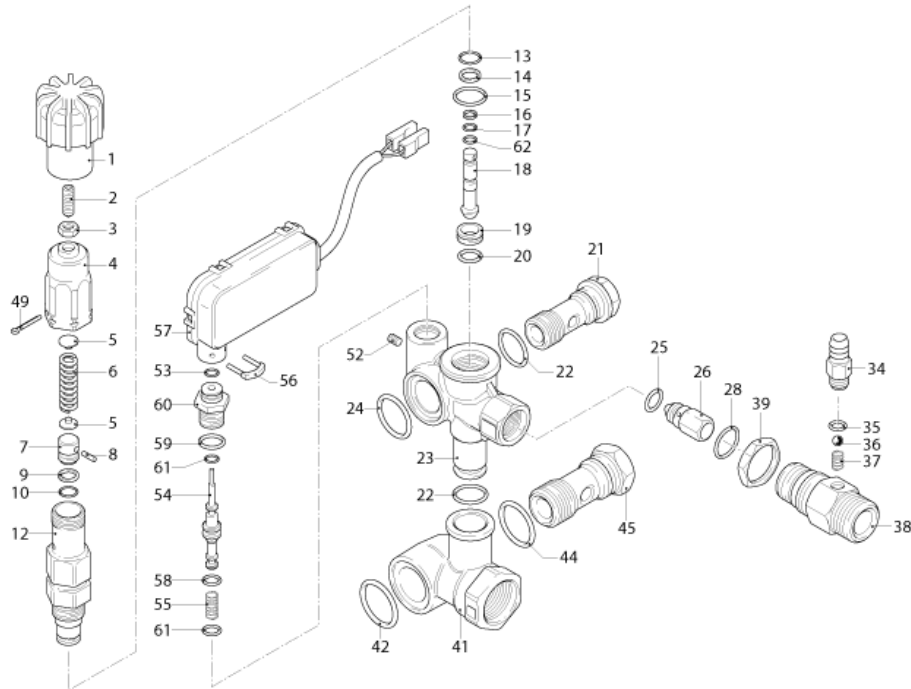
Ref. K	Part n.	Part n. 2	Description	Quantity	Validity		Price
					From	To	
0022	GUGO02561		O-RING D. 47.3 X 2.62 NBR 70SH	1,00			--
0022	GUGO02561		O-RING D. 47.3 X 2.62 NBR 70SH	1,00			--
0023	PVVR40125		DISC RC	1,00		31/03/2016	--
0023	PVVR40125		DISC RC	1,00		31/03/2016	--
0023	PVVR40472		OIL INDICATOR RC CPL.	1,00	01/04/2016		--
0023	PVVR40472		OIL INDICATOR RC CPL.	1,00	01/04/2016		--
0024	PVVR40126		OIL INDICATOR RC	1,00		31/03/2016	--
0024	PVVR40126		OIL INDICATOR RC	1,00		31/03/2016	--
0025	MFVR40021		CRANKASE COVER AR RC LT.	1,00			--
0025	MFVR40021		CRANKASE COVER AR RC LT.	1,00			--
0026	VTVT01531		SCREW TE 6X 16 UNI 5739	8,00			--
0026	VTVT01531		SCREW TE 6X 16 UNI 5739	8,00			--
0027	PVVR19231		OIL CAP XTS	1,00		31/03/2014	--
0027	PVVR19231		OIL CAP XTS	1,00		31/03/2014	--
0027	PVVR40436		OIL CAP RC	1,00	01/04/2014		--
0027	PVVR40436		OIL CAP RC	1,00	01/04/2014		--
0028	VTDD00483		NUT M 8 ZIN UNI 5588	3,00			--
0028	VTDD00483		NUT M 8 ZIN UNI 5588	3,00			--
0029	VTRS19394		WASHER D. 8X13X0.5	3,00			--
0029	VTRS19394		WASHER D. 8X13X0.5	3,00			--
0030	S PIVR19232		PISTON D. 15 XTS	3,00			--
0030	S PIVR19232		PISTON D. 15 XTS	3,00			--
0031	PVVR19233		DISC XTS	3,00			--
0031	PVVR19233		DISC XTS	3,00			--
0032	S GUGO09690		OIL SEAL 15X 24X 5 NBR70	3,00			--
0032	S GUGO09690		OIL SEAL 15X 24X 5 NBR70	3,00			--
0033	GUGO08071		O-RING D. 4.48 X 1.78 NBR 70SH	3,00			--
0033	GUGO08071		O-RING D. 4.48 X 1.78 NBR 70SH	3,00			--
0034	PVVR40127		PISTON GUIDE RC	3,00			--
0034	PVVR40127		PISTON GUIDE RC	3,00			--
0035	BLVR40001		CONNECTING ROD RC	3,00			--
0035	BLVR40001		CONNECTING ROD RC	3,00			--
0036	PVVR40128		GUDGEON D. 9X23 RC	3,00			--
0036	PVVR40128		GUDGEON D. 9X23 RC	3,00			--
0037	GUGO18695		O-RING D. 101.27 X 2.62 NBR 70SH	1,00			--
0037	GUGO18695		O-RING D. 101.27 X 2.62 NBR 70SH	1,00			--
0038	MFVR40022		CRANKASE COVER AR RC	1,00			--
0038	MFVR40022		CRANKASE COVER AR RC	1,00			--
0039	GUGO01036		O-RING D. 10.82 X 1.78 NBR 70SH	1,00			--
0039	GUGO01036		O-RING D. 10.82 X 1.78 NBR 70SH	1,00			--
0040	PVVR40129		CAP 1/4 M RC	1,00			--
0040	PVVR40129		CAP 1/4 M RC	1,00			--
0041	VTVT09913		SCREW TCEI 6X16 UNI5931	4,00			--
0041	VTVT09913		SCREW TCEI 6X16 UNI5931	4,00			--



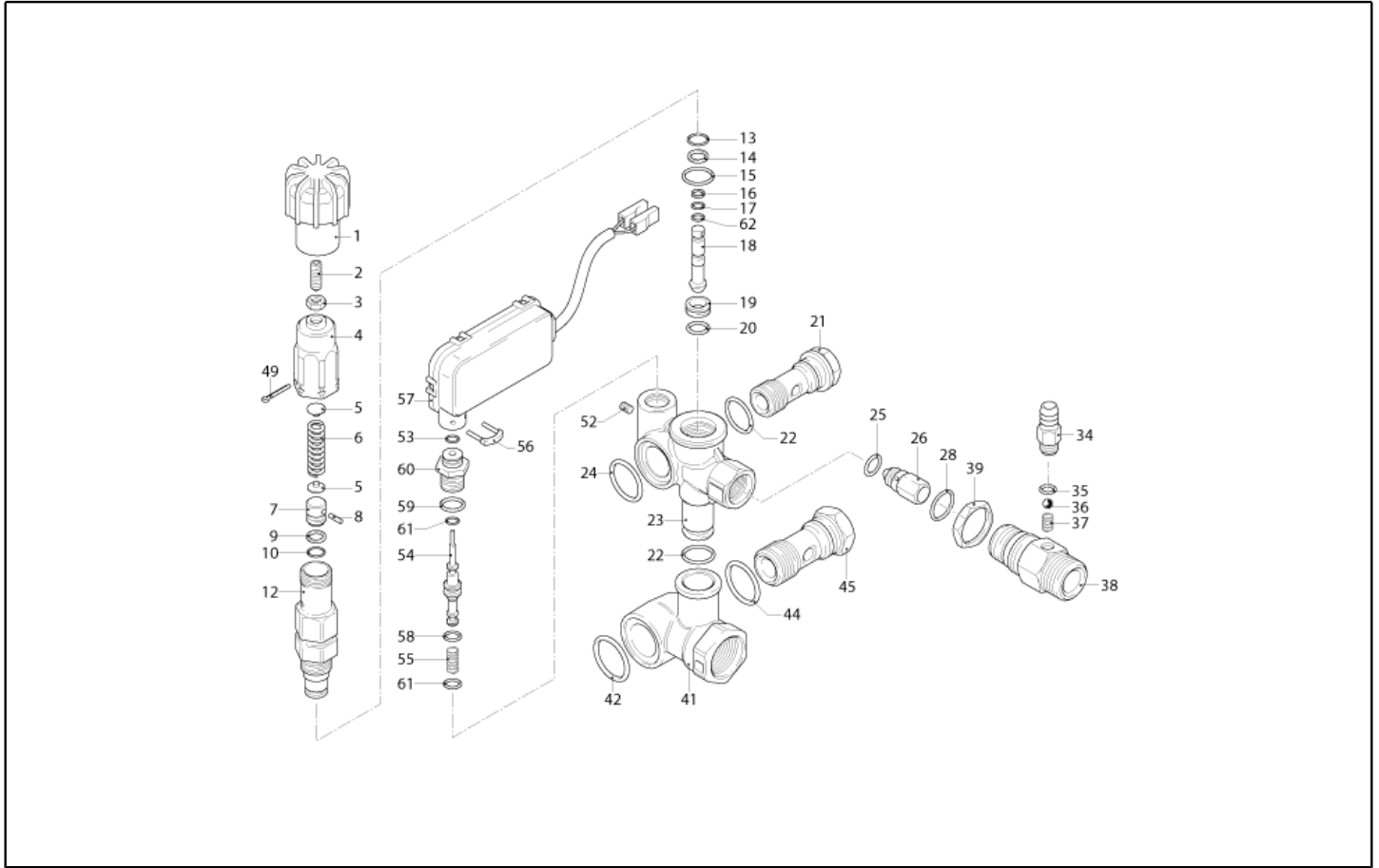
Ref. K	Part n.	Part n. 2	Description	Quantity	Validity		Price
					From	To	
0042	ALMO40010		SHAFT AR RCS 13LT VRS. N	1,00			--
0042	ALMO40010		SHAFT AR RCS 13LT VRS. N	1,00			--
0043	VTVR41531		KEY 8X 7X35 UNI 6604A	1,00			--
0043	VTVR41531		KEY 8X 7X35 UNI 6604A	1,00			--
0044	CUVR23636		ROLLER BEARING HK 4516	1,00			--
0044	CUVR23636		ROLLER BEARING HK 4516	1,00			--
0045	S GUGO00999		OIL SEAL 25X 52X 7 NBR70	1,00			--
0045	S GUGO00999		OIL SEAL 25X 52X 7 NBR70	1,00			--
0050	S VVAM40007		VALVE UNIT RC ASP. BK	3,00	01/08/2012		--
0050	S VVAM40007		VALVE UNIT RC ASP. BK	3,00	01/08/2012		--
0051	PVVR40437		RING D. 51.8 X0.5	1,00	01/04/2014		--
0051	PVVR40437		RING D. 51.8 X0.5	1,00	01/04/2014		--



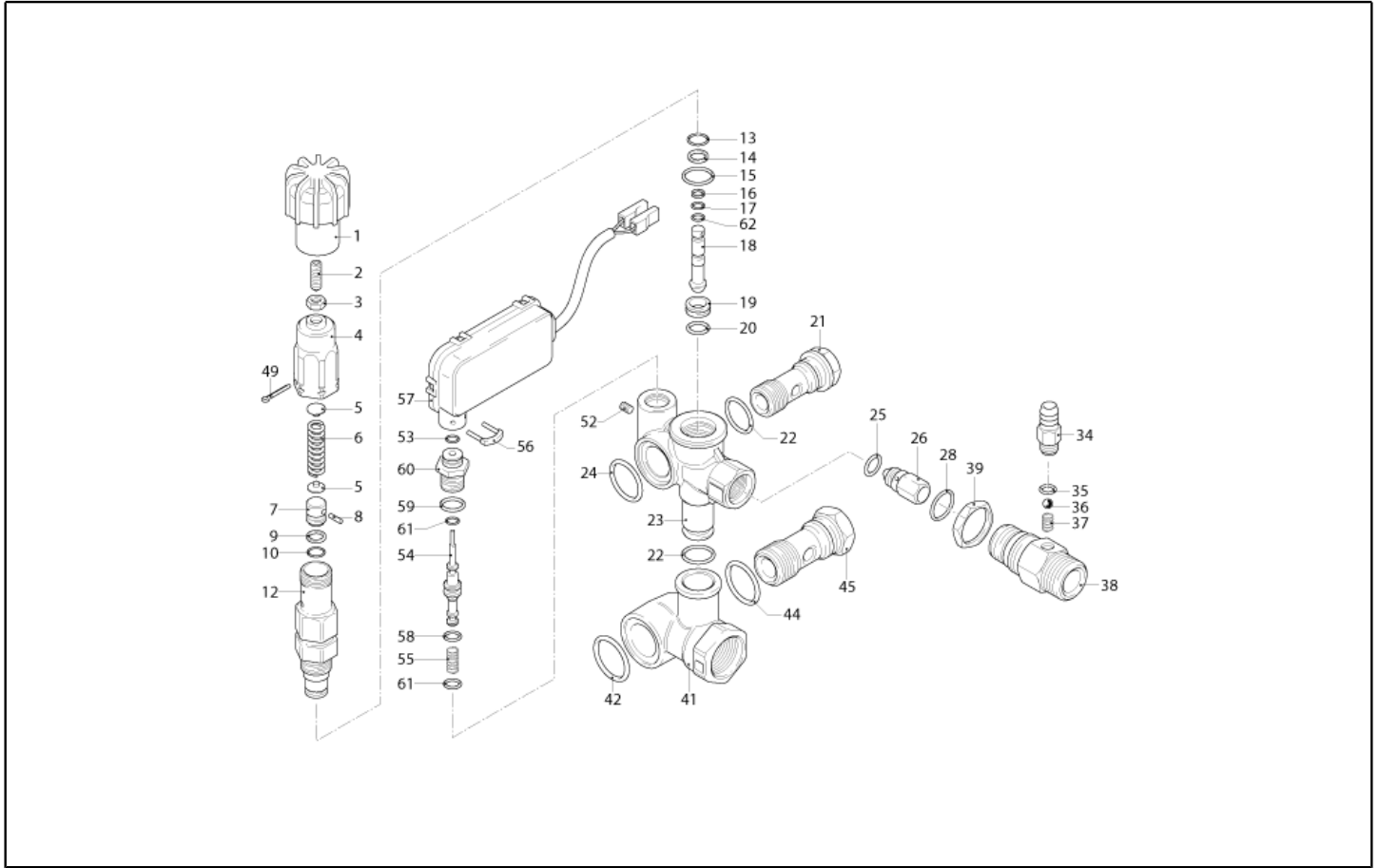
Ref. Part n.	Part n. 2	Description	Reference	Price
KTRI40092		KIT P 15-2186 RC	0003 0003	--
KTRI40096		KIT P 15-42918 RC	0032 0032 0045 0045	--
KTRI40139		KIT P 15-42920 D.15 RCS	0030 0030	--
KTRI40140		KIT P 15-42921 D.15 RCS	0012 0012 0014 0014 0015 0015 0016 0016	--
KTRI40141		KIT P 15-2191 D.15 RCS	0011 0011	--
KTRI40207		KIT P 15-42914 RC 3+3 BL./WH.	0003 0003 0003 0003	--



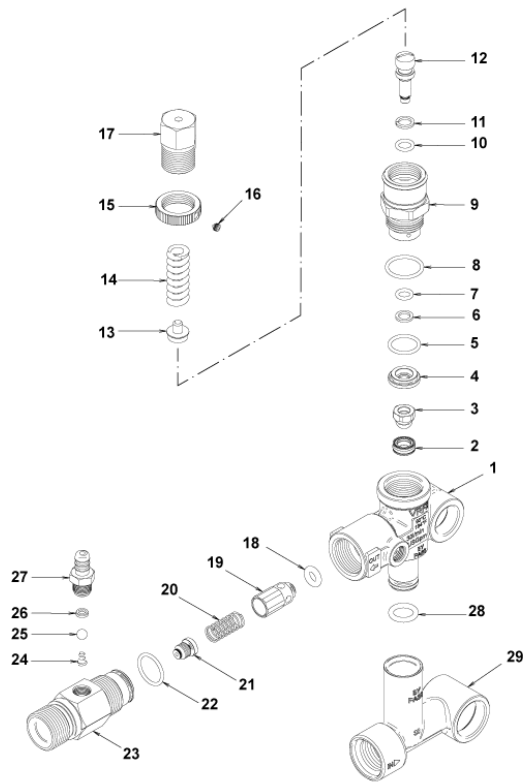
Ref. K	Part n.	Part n. 2	Description	Quantity	Validity		Price
					From	To	
0001	PVVR40227		KNOB M.MT/4B	1,00			--
0002	VTVT19524		SCREW EI-ST 6X16 UNI 5923	1,00			--
0003	VTDD00482		NUT M 6 ZIN UNI 5588	1,00			--
0004	PVVR40236		KNOB M.MT/4B	1,00			--
0005	PVVR40067		SPRING PLATE AR XJS	2,00			--
0006	MLML40007		SPRING D. 10.8X48.9 D.2.8 XJS	1,00			--
0007	S PVVR40068		SMALL PISTON AR XJS SP.	1,00			--
0008	S VTVR19193		PLUG D. 2.5X10	1,00			--
0009	S GUVR40026		ANTI-EXTR.RING D. 8	1,00			--
0010	S GUGO06988		O-RING D. 7.66 X 1.78 NBR 70SH	1,00		30/06/2013	--
0010	S GUGO40179		O-RING D. 8 X 2 NBR 70SH	1,00	01/07/2013		--
0012	PVVR40069		PISTON GUIDE AR XJS	1,00		30/06/2013	--
0012	S PVVR40385		PISTON GUIDE AR XJS 2V.	1,00	01/07/2013		--
0013	S GUGO09720		O-RING D. 14 X 1.78 NBR 70SH	1,00			--
0014	S GUGO63403		O-RING D. 8.73 X 1.78 NBR 70SH	1,00			--
0015	S GUGO02259		O-RING D. 15.54 X 2.62 NBR 70SH	1,00			--
0016	S GUVR40027		ANTI-EXTR.RING D. 3.7	1,00			--
0017	S GUGO19189		O-RING D. 2.90 X 1.78 NBR 70SH	1,00			--
0018	S PVVR40070		CONTROL PISTON AR XJS IF.	1,00			--
0019	S PVVR40071		VALVE SEAT AR XJS	1,00			--
0020	S GUGO41692		O-RING D. 9 X 1 NBR 70SH	1,00			--
0021	RCDS40068		SCREW G 3/8 M.MATIC 4/B OT.	1,00			--
0022	S GUGO01047		O-RING D. 11.91 X 2.62 NBR 70SH	2,00			--
0023	PVVR40134		VALVE BODY M.MATIC 4/B TSS	1,00			--
0024	S GUGO19395		O-RING D. 20.24 X 2.62 NBR 70SH	1,00			--
0025	S GUGO12494		O-RING D. 4 X 2.5 -NBR 70SH	1,00			--
0026	S PVVR40074		COUPLING N.RIT. XJS	1,00			--
0027	MLML32257		SPRING D. 6.5 X14 D.0.5	1,00		30/06/2013	--
0028	S GUGO11652		O-RING D. 12.42 X 1.78 NBR 70SH	1,00			--
0034	PVVR40135		HOSE FITTING M.MATIC 4/B IN.	1,00			--
0035	S GUGO08071		O-RING D. 4.48 X 1.78 NBR 70SH	1,00			--
0036	SFVR04274		BALL D. 7/32	1,00			--
0037	MLML40008		SPRING D. 4	1,00			--
0038	RCDS40074		NIPPLE G 3/8 D. 2 M.MATIC 4/B	1,00			--
0039	VTDD40003		LOCKNUT M20x1	1,00			--
0041	PVVR40131		CONNECTOR M.MATIC 4/B	1,00			--
0042	S GUGO76542		O-RING D. 23.47 X 2.62 NBR 70SH	1,00			--
0044	S GUGO01058		O-RING D. 17.17 X 1.78 NBR 70SH	1,00			--
0045	RCDS40070		SCREW G 1/2 M.MATIC 4/B	1,00			--
0049	VTVR40025		SPLIT PIN D. 2.6X15	1,00			--
0052	VTVT40019		SCREW M 3X 5 EI-ST UNI 5923	1,00			--
0053	S GUGO19207		O-RING D. 1.78 X 1.78 NBR 70SH	1,00			--
0054	PVVR40136		CONTROL PISTON AR TSS M.MTC	1,00			--
0055	MLML40017		SPRING D. 8.7 X15.9 D.1.2	1,00			--



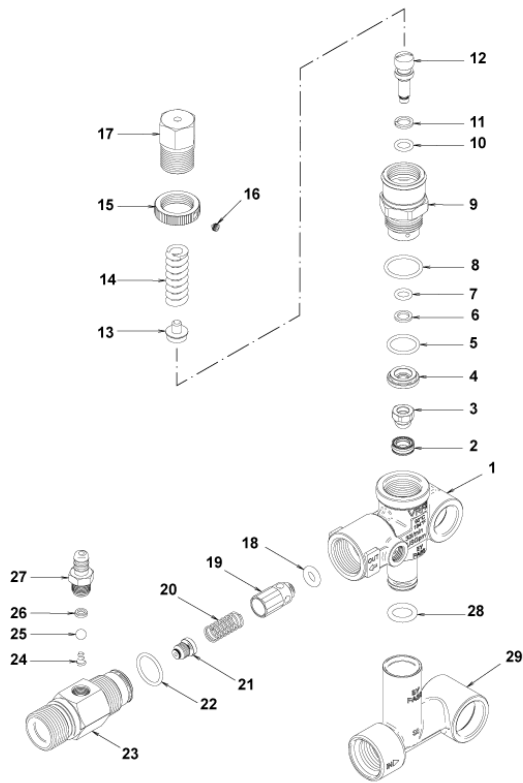
Ref. K	Part n.	Part n. 2	Description	Quantity	Validity		Price
					From	To	
0056	LAFN40212		PLUG *U* AR TSS	1,00			--
0057	MEPF40013		PRESSURE SWITCH AR TSS 220V N.A. L.900	1,00			--
0058	S GUGO12489		O-RING D. 6.07 X 1.78 NBR 70SH	1,00			--
0059	S GUGO03496		O-RING D. 9.25 X 1.78 NBR 70SH	1,00			--
0060	PVVR40137		PISTON GUIDE AR TSS M.MATIC	1,00			--
0061	S GUGO40027		O-RING D. 2.90 X 1.78 NBR 90SH	2,00			--
0062	S GUGO13640		O-RING D. 3.69 X 1.78 NBR 90SH	1,00			--



Ref. Part n.	Part n. 2	Description	Reference	Price
KTRI40128		KIT P 14-101 M.MATIC 4/B CK.V.	0025 0026 0028	--
KTRI40127		KIT P 14-100 M.MATIC 4/B	0007 0008 0009 0010 0010 0012 0013 0014 0015 0016 0017 0018 0019 0020 0062	--
K F KTRI40183		KIT P 15-42916 O-RING	0009 0010 0013 0014 0015 0016 0017 0020 0053 0058 0059 0061 0062 0022 0024 0025 0028 0035 0042 0044	--



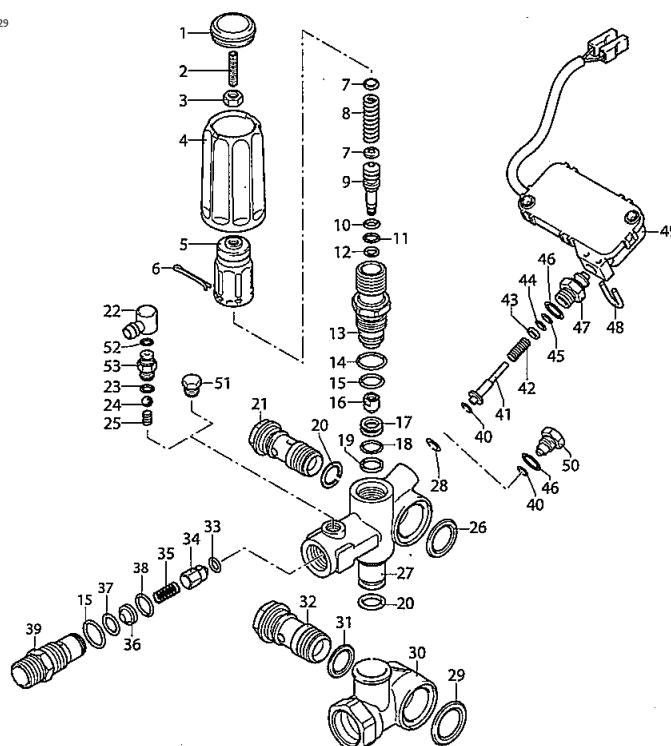
Ref. K	Part n.	Part n. 2	Description	Quantity	Validity		Price
					From	To	
0001	PVVR40375		VALVE BODY VRF2 +G1/8 F	1,00			--
0002	S	PVVR40363	VALVE SEAT MV124 +OR	1,00			--
0003	S	PVVR40364	COUPLING MV124	1,00			--
0004	S	PVVR40365	SPACER MV124	1,00			--
0005	S	GUGO12322	O-RING D. 14 X 1.78 NBR 90SH	1,00			--
0006	S	GUVR40072	ANTI-EXTR.RING D. 6.5X 9.4	1,00			--
0007	S	GUGO83861	O-RING D. 6.07 X 1.78 NBR 90SH	1,00			--
0008	S	GUGO24913	O-RING D. 17.17 X 1.78 NBR 90SH	1,00			--
0009	S	PVVR40366	CONNECTOR VRF2 D.10	1,00			--
0010	S	GUGO03500	O-RING D. 6.75 X 1.78 NBR 70SH	1,00			--
0011	S	GUVR40073	ANTI-EXTR.RING D. 7.1X10 X1.2 TBT	1,00			--
0012	S	PVVR40367	SMALL PISTON D.10 VRF2	1,00			--
0013	S	PVVR40368	SPRING PLATE MV124 25B	1,00			--
0014	S	MLML40027	SPRING D. 3.0/6.0 X38.85	1,00			--
0015	S	PVVR40369	RING NUT MV167.09	1,00			--
0016	S	VTVT89696	SCREW EI-ST 4X 4 UNI5927 ZC	1,00			--
0017	S	PVVR40370	CAP VRF2 M18X1	1,00			--
0018	S	GUGO46053	O-RING D. 6 X 3 NBR 90SH	1,00			--
0019	S	PVVR40349	COUPLING VRT3	1,00			--
0020	S	MLML40026	SPRING VRT3	1,00			--
0021	S	UGEI40010	NOZZLE D. 2.1 VRF-2	1,00			--
0022	S	GUGO12321	O-RING D. 15.6 X 1.78 NBR 90SH	1,00			--
0023	S	PVVR40376	METERING. BODY VRF-2 M22 M	1,00			--
0024	S	MLML47996	SPRING D. 5.5	1,00			--
0025	S	SFVR40001	BALL D. 7/32" AISI 316/L	1,00			--
0026	S	PVVR47994	BALL SEAT MV 625	1,00			--
0027	S	PVVR40014	HOSE FITTING P237-MV	1,00			--
0028	S	GUGO11225	O-RING D. 10.78 X 2.62 NBR 70SH	1,00			--
0029	S	PVVR40373	CONNECTOR VRF2.24	1,00			--



Ref. Part n.	Part n. 2	Description	Reference	Price
KTRI40236		KIT P 14-103 VRF2	0002 0003 0004 0005 0006 0007 0008 0009 0010 0011 0012 0018 0019 0020 0021 0022	--
KTRI40237		KIT P 14-104 SEAL VRF2	0002 0003 0005 0006 0007 0008 0010 0011 0018 0021 0022	--
KTRI40259		KIT P 14-106 VRF2 I.2.1	0018 0019 0020 0021 0022 0023 0024 0025 0026 0027	--

VRZ TSS + ID

KIT F = pos. 10 11 14 15 18 19 20 23 28 29
31 33 37 38 40 44 45 46

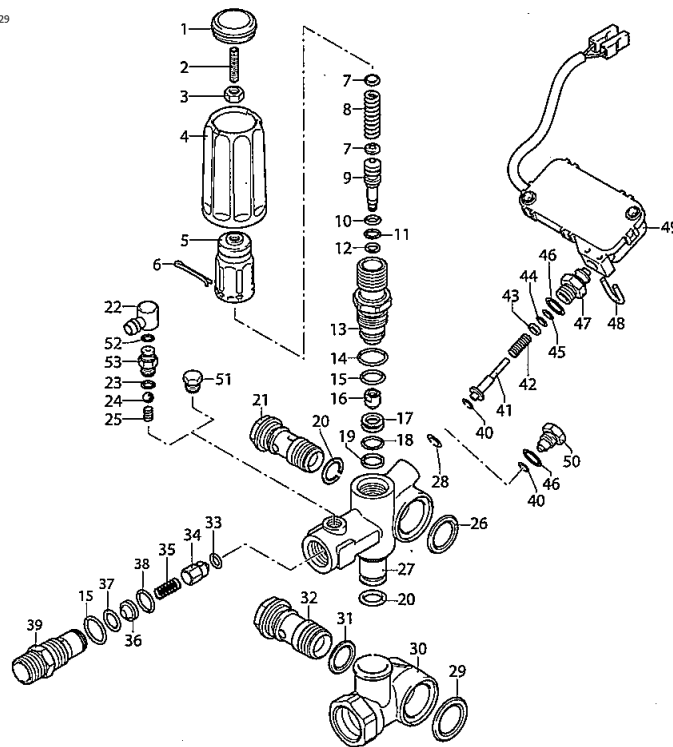


UN_00_4104-FR

Ref. K	Part n.	Part n. 2	Description	Quantity	Validity		Price
					From	To	
0001	PVVR40241		CAP VRC-BM	1,00			--
0002	VTVT40051		SCREW STEI M 6X25	1,00			--
0003	PVVR40292		NUT AR	1,00			--
0004	PVVR40418		KNOB VRZ	1,00			--
0005	PVVR40236		KNOB M.MT/4B	1,00			--
0006	VTVR40025		SPLIT PIN D. 2,6X15	1,00			--
0007	PVVR40067		SPRING PLATE AR XJS	2,00			--
0008	PVVR40419		SPRING VALVOLA VRZ	1,00			--
0009	PVVR40420		PISTON VRC-BM	1,00			--
0010	S GUGO40046		O-RING D. 6.02 X 2.62 NBR 90SH	1,00			--
0011	S GUGO12489		O-RING D. 6.07 X 1.78 NBR 70SH	1,00			--
0012	GUVR40072		ANTI-EXTR.RING D. 6.5X 9.4	1,00			--
0013	PVVR40421		PISTON GUIDE VRZ	1,00			--
0014	S GUGO03505		O-RING D. 15.6 X 1.78 NBR 70SH	1,00			--
0015	S GUGO11652		O-RING D. 12.42 X 1.78 NBR 70SH	2,00			--
0016	PVVR40423		COUPLING AR VRZ	1,00			--
0017	PVVR40424		VALVE SEAT AR VRZ	1,00			--
0018	S GUGO19194		O-RING D. 11.11 X 1.78 NBR 70SH	1,00			--
0019	S GUVR40085		ANTI-EXTR.RING D. 14 X11,8X1	1,00			--
0020	S GUGO01047		O-RING D. 11.91 X 2.62 NBR 70SH	2,00			--
0021	RCDS40068		SCREW G 3/8 M.MATIC 4/B OT.	1,00			--
0022	PVVR40426		HOSE FITTING VALVOLA VRZ	1,00			--
0023	S GUGO08071		O-RING D. 4.48 X 1.78 NBR 70SH	1,00			--
0024	SFVR04274		BALL D. 7/32	1,00			--
0025	MLML40008		SPRING D. 4	1,00			--
0026	GUGO40057		O-RING D. 20.29 X 2.62-NBR 70SH	1,00			--
0027	PVVR40427		VALVE BODY VRZ	1,00			--
0028	S GUGO40031		O-RING D. 3.68 X 1.78 NBR 90SH	1,00			--
0029	S GUGO76542		O-RING D. 23.47 X 2.62 NBR 70SH	1,00			--
0030	PVVR40428		BODY VALVOLA VRZ	1,00			--
0031	S GUGO01058		O-RING D. 17.17 X 1.78 NBR 70SH	1,00			--
0032	RCDS40070		SCREW G 1/2 M.MATIC 4/B	1,00			--
0033	S GUGO12494		O-RING D. 4 X 2.5 -NBR 70SH	1,00			--
0034	PVVR40422		COUPLING AR VRZ	1,00			--
0035	PVVR40252		SPRING VRC-BM	1,00			--
0036	PVVR40253		INSERT INIETT. VRC-BM	1,00			--
0037	S GUGO41692		O-RING D. 9 X 1 NBR 70SH	1,00			--
0038	S GUGO63495			1,00			--
0039	PVVR40254		INJECTOR DETERG. VRC-BM	1,00			--
0040	S GUVR40084		ANTI-EXTR.RING PARBAK 8-007	1,00		31/01/2016	--
0040	S GUVR40094		ANTI-EXTR.RING D. 4.2X 7 X1 PTFE+BZ	1,00	01/02/2016		--
0041	PVVR40425		CONTROL ROD AR TSS VRZ	1,00		31/01/2016	--
0041	S PVVR40470		CONTROL ROD AR TSS VRZ.Evo	1,00	01/02/2016		--
0042	PVVR40429		SPRING VALVOLA VRZ	1,00			--

VRZ TSS + ID

KIT F = pos. 10 11 14 15 18 19 20 23 28 29
31 33 37 38 40 44 45 46

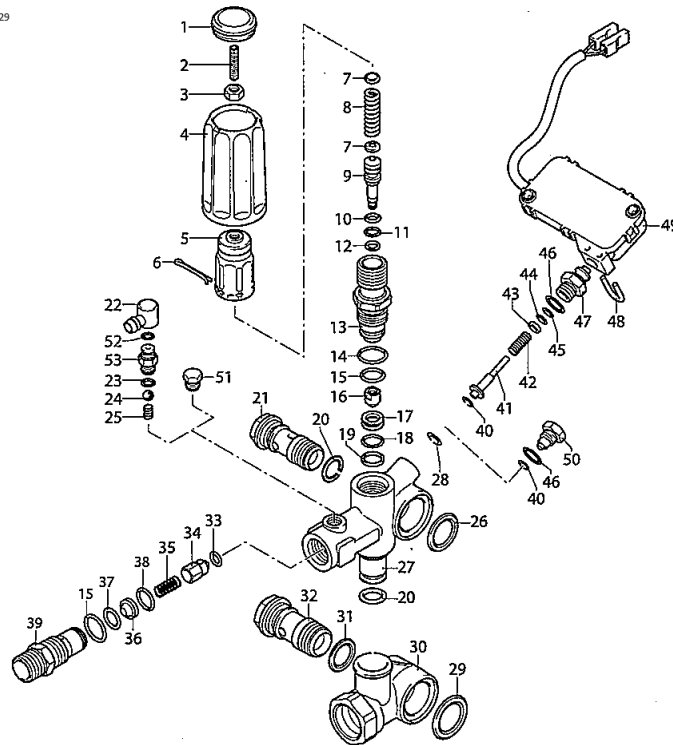


UN_00_4104-FR

Ref. K	Part n.	Part n. 2	Description	Quantity	Validity		Price
					From	To	
0043	PVVR40430		WASHER VALVOLA VRZ	1,00			--
0044	S GUGO19207		O-RING D. 1.78 X 1.78 NBR 70SH	1,00			--
0045	S GUVR40086		ANTI-EXTR.RING D. 4.9X 2 X1.3	1,00			--
0046	S GUGO06988		O-RING D. 7.66 X 1.78 NBR 70SH	1,00			--
0047	PVVR40431		CONNECTOR VALVOLA VRZ	1,00			--
0048	LAFN40212		PLUG "U" AR TSS	1,00			--
0049	PVVR40432		PRESSURE SWITCH TTS VRZ marc. AA	1,00			--
0052	GUGO03500		O-RING D. 6.75 X 1.78 NBR 70SH	1,00			--
0053	PVVR40435		CONNECTOR VALVOLA VRZ	1,00			--

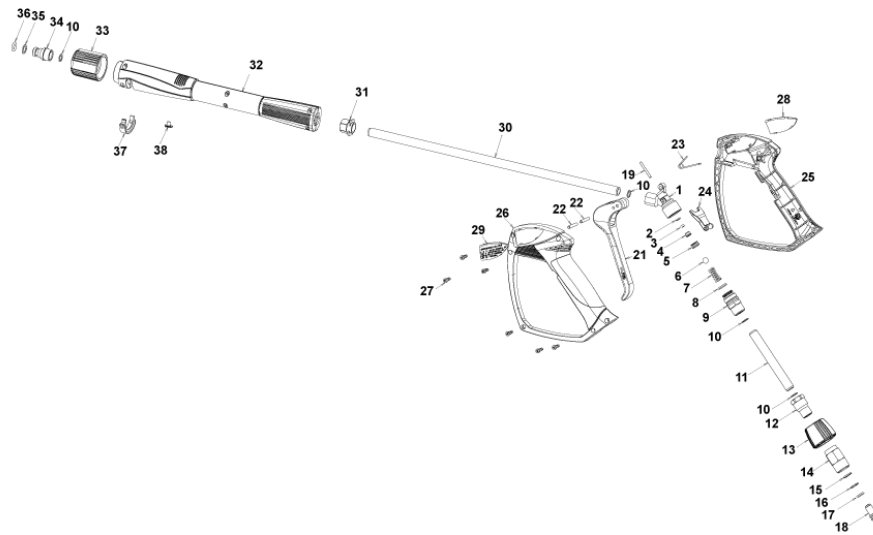
VRZ TSS + ID

KIT F = pos. 10 11 14 15 18 19 20 23 28 29
31 33 37 38 40 44 45 46

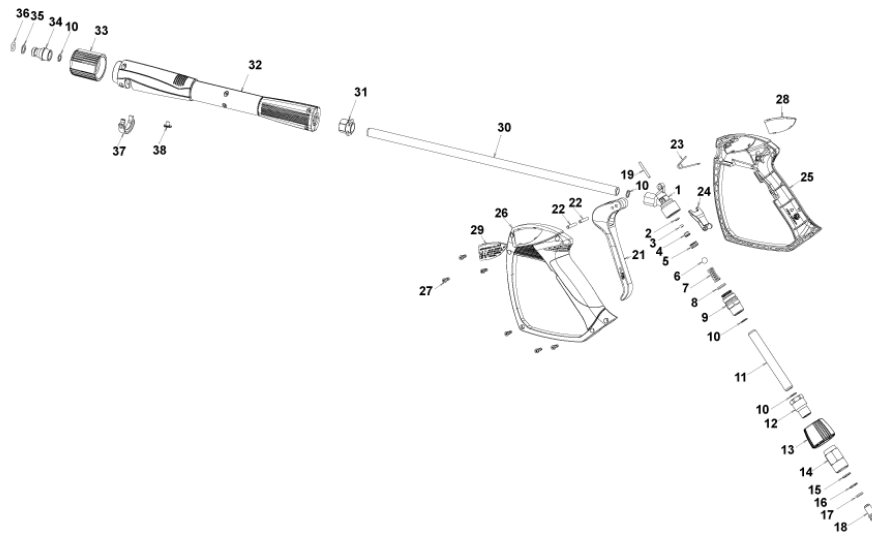


UN_00_4104-FR

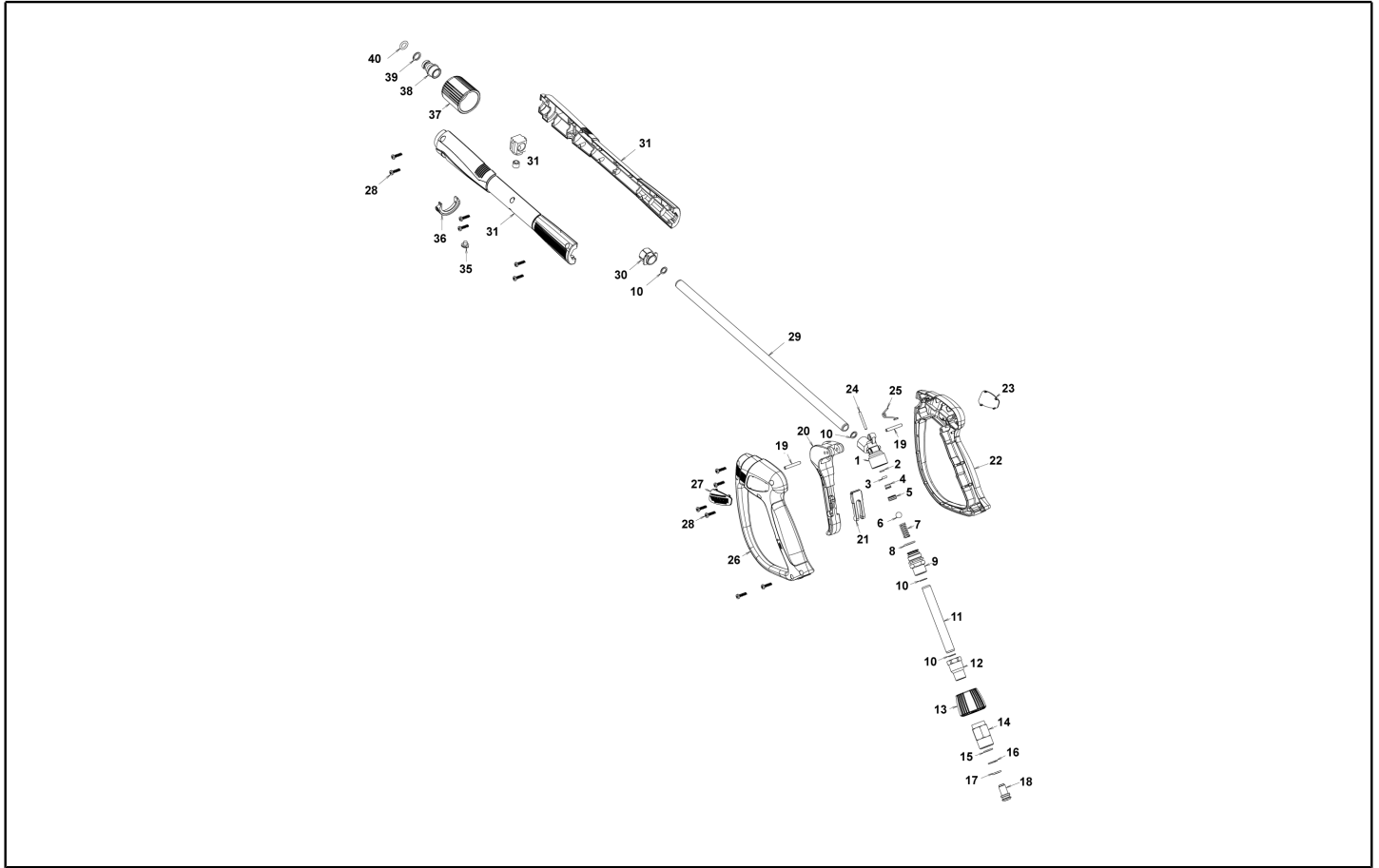
Ref. Part n.	Part n. 2	Description	Reference	Price
KTRI40394		KIT P 14-43234 VRZ.Evo	0028 0040 0041	--
F KTRI40293		KIT P SET O-RING VALVOLA VRZ	0011 0014 0015 0018 0020 0023 0029 0031 0037 0038 0010 0019 0028 0033 0040 0044 0045 0046	--



Ref. K	Part n.	Part n. 2	Description	Quantity	Validity		Price
					From	To	
0001	PVVR40381		GUN BODY G 5100 G1/4F	1,00			--
0002	S	GUVR40074	ANTI-EXTR.RING D. 3 X 7.4X1.3	1,00			--
0003	S	GUGO21835	O-RING D. 2.84 X 2.62 VIT. 80SH	1,00			--
0004	PVVR40382		PISTON GUIDE G 5100	1,00			--
0005	S	PVVR40112	BALL SEAT G 5000	1,00			--
0006	S	SFVR27026	BALL D.11/32" INX	1,00			--
0007		MLML40016	SPRING D. 9.4 x21.5x1.6 G5000	1,00			--
0008		GUGO12322	O-RING D. 14 X 1.78 NBR 90SH	1,00			--
0009		PVVR40383	CONNECTOR COLL.G5100 1/4F	1,00			--
0010		VTRS40017	WASHER D. 8.2X11,4X1.00	4,00			--
0011		PVVR40384	TUBE G 1/4" L.105	1,00			--
0012		RCIN40022	CONNECTOR SWIV G5100 1/4F	1,00			--
0013		MPVR40486	RING NUT G 5100 SW. GR.	1,00			--
0014		RCIN40021	JOINT SWIV 5100 M22	1,00			--
0015	S	GUVR40075	ANTI-EXTR.RING D. 10 X14X1.5	1,00			--
0016	S	GUVR40076	ANTI-EXTR.RING D. 11.2X14X1.2	1,00			--
0017	S	GUGO15295	O-RING D. 10.82 X 1.78 VIT 75SH	1,00			--
0018		PVVR40386	SCREW SW. G 5100	1,00			--
0019		PVVR40387	SMALL PISTON G 5100	1,00			--
0021		MPVR40487	TRIGGER G 5100-SW	1,00			--
0022		VTVR40047	PLUG D. 4X29	2,00			--
0023		MLML40029	SPRING G 5100	1,00			--
0024		MPVR40488	SAFETY-DEVICE G 5100-SW	1,00			--
0025		MPVR40489	SHELL G 5100-SW DX	1,00			--
0026		MPVR40490	SHELL G 5100-SW SX	1,00			--
0027		VTVT40043	SCREW AF 4X 14 HILO ZN.N	6,00			--
0028		MPVR40491	PLATE G 5100 GR.DX	1,00			--
0029		MPVR40492	PLATE G 5100 GR.SX	1,00			--
0030		LCPR40086	TUBE 1/4 L=420 ZC. 0°	1,00			--
0031		MPVR40493	CONNECTOR G 5100-SW	1,00			--
0032		MPVR40494	PROTECTION P 420 C/AN.	1,00			--
0033		PVVR40119	CONNECTION M22X1.5 IRV G5000	1,00			--
0034		RCIN40009	GUDGEON G 1/4 F IRV G5000	1,00			--
0035		GUVR40034	ANTI-EXTR.RING D. 10 X14	1,00			--
0036		GUGO01946	O-RING D. 9.13 X 2.62 VIT 70SH	1,00			--
0037		MPVR40495	CAP G 5100 REM.	1,00			--
0038		MPVR40198	CAP G 5000	1,00			--



Ref. Part n.	Part n. 2	Description	Reference	Price
KTRI40242		KIT P 26- 25 G 5100	0002 0003 0005 0006	--
KTRI40243		KIT P 26- 26 SWIVEL G 5100	0015 0016 0017	--



Ref. K	Part n.	Part n. 2	Description	Quantity	Validity		Price
					From	To	
0001	PVVR40381		GUN BODY G 5100 G1/4F	1,00			--
0002	S	GUVR40074	ANTI-EXTR.RING D. 3 X 7.4X1.3	1,00			--
0003	S	GUGO21835	O-RING D. 2.84 X 2.62 VIT. 80SH	1,00			--
0004		PVVR40382	PISTON GUIDE G 5100	1,00			--
0005	S	PVVR40112	BALL SEAT G 5000	1,00			--
0006	S	SFVR40002	BALL D.11/32" ALL GR16	1,00			--
0007		MLML40016	SPRING D. 9.4 x21.5x1.6 G5000	1,00			--
0008		GUGO12322	O-RING D. 14 X 1.78 NBR 90SH	1,00			--
0009		PVVR40383	CONNECTOR COLL.G5100 1/4F	1,00			--
0010		VTRS40017	WASHER D. 8.2X11,4X1.00	4,00			--
0011		PVVR40384	TUBE G 1/4" L.105	1,00			--
0012		RCIN40022	CONNECTOR SWIV G5100 1/4F	1,00			--
0013		MPVR40819	RING NUT G 5100 SW. BK.	1,00			--
0014		RCIN40021	JOINT SWIV 5100 M22	1,00			--
0015	S	GUVR40075	ANTI-EXTR.RING D. 10 X14X1.5	1,00			--
0016	S	GUVR40076	ANTI-EXTR.RING D. 11.2X14X1.2	1,00			--
0017	S	GUGO15295	O-RING D. 10.82 X 1.78 VIT 75SH	1,00			--
0018		PVVR40386	SCREW SW. G 5100	1,00			--
0019		VTVR40047	PLUG D. 4X29	2,00			--
0020		MPVR40820	TRIGGER G 6000-SW	1,00			--
0021		MPVR40821	SAFETY-DEVICE G 6000-SW	1,00			--
0022		MPVR40822	SHELL G 6000-SW DX	1,00			--
0023		MPVR40823	PLATE G 6000 GR.DX	1,00			--
0024		PVVR40387	SMALL PISTON G 5100	1,00			--
0025		MLML40029	SPRING G 5100	1,00			--
0026		MPVR40824	SHELL G 6000-SW SX	1,00			--
0027		MPVR40825	PLATE G 6000 GR.SX	1,00			--
0028		VTVT40043	SCREW AF 4X 14 HILO ZN.N	12,00			--
0029		LCPR40086	TUBE 1/4 L=420 ZC. 0°	1,00			--
0030		MPVR40493	CONNECTOR G 5100-SW	1,00			--
0031		MPVR40494	PROTECTION P 420 C/AN.	1,00			--
0035		MPVR40198	CAP G 5000	1,00			--
0036		MPVR40495	CAP G 5100 REM.	1,00			--
0037		PVVR40119	CONNECTION M22X1,5 IRV G5000	1,00			--
0038		RCIN40009	GUDGEON G 1/4 F IRV G5000	1,00			--
0039		GUVR40034	ANTI-EXTR.RING D. 10 X14	1,00			--
0040		GUGO01946	O-RING D. 9.13 X 2.62 VIT 70SH	1,00			--



Ref. Part n.	Part n. 2	Description	Reference	Price
KTRI40243		KIT P 26- 26 SWIVEL G 5100	0015 0016 0017	--
KTRI40414		KIT P 26- 34 G 6000	0002 0003 0005 0006	--



Ref. K	Part n.	Part n. 2	Description	Quantity	Validity		Price
					From	To	
0001	PVVR40381		GUN BODY G 5100 G1/4F	1,00			--
0002	S	GUVR40074	ANTI-EXTR.RING D. 3 X 7.4X1.3	1,00			--
0003	S	GUGO21835	O-RING D. 2.84 X 2.62 VIT. 80SH	1,00			--
0004		PVVR40382	PISTON GUIDE G 5100	1,00			--
0005	S	PVVR40563	BALL SEAT AL36 G6000 + OR	1,00			--
0006	S	SFVR40004	BALL D. 5/16" ALL.GR16	1,00			--
0007		MLML40047	SPRING D. 9.4 x23.5x1.6 G6000	1,00			--
0008		GUGO12322	O-RING D. 14 X 1.78 NBR 90SH	1,00			--
0009		PVVR40383	CONNECTOR COLL.G5100 1/4F	1,00			--
0010		VTRS40017	WASHER D. 8.2X11,4X1.00	4,00			--
0011		PVVR40384	TUBE G 1/4" L.105	1,00			--
0012		RCIN40022	CONNECTOR SWIV G5100 1/4F	1,00			--
0013		MPVR40967	RING NUT G 6000 SW. GR.	1,00			--
0014		RCIN40021	JOINT SWIV 5100 M22	1,00			--
0015	S	GUVR40075	ANTI-EXTR.RING D. 10 X14X1.5	1,00			--
0016	S	GUVR40076	ANTI-EXTR.RING D. 11.2X14X1.2	1,00			--
0017	S	GUGO15295	O-RING D. 10.82 X 1.78 VIT 75SH	1,00			--
0018		PVVR40386	SCREW SW. G 5100	1,00			--
0019		VTVR40047	PLUG D. 4X29	2,00			--
0020		MPVR40820	TRIGGER G 6000-SW	1,00			--
0021		MPVR40821	SAFETY-DEVICE G 6000-SW	1,00			--
0022		MPVR40822	SHELL G 6000-SW DX	1,00			--
0023		MPVR40968	PLATE G 6000/2 GR.DX	1,00			--
0024		PVVR40564	SMALL PISTON G 6000 AL36 SP.	1,00			--
0025		MLML40029	SPRING G 5100	1,00			--
0026		MPVR40824	SHELL G 6000-SW SX	1,00			--
0027		MPVR40825	PLATE G 6000 GR.SX	1,00			--
0028		VTVT40043	SCREW AF 4X 14 HILO ZN.N	12,00			--
0029		LCPR40181	TUBE 1/4 L=416 ZC. 0°	1,00			--
0030		MPVR40493	CONNECTOR G 5100-SW	1,00			--
0031		MPVR40494	PROTECTION P 420 C/AN.	1,00			--
0035		MPVR40198	CAP G 5000	1,00			--
0036		MPVR40495	CAP G 5100 REM.	1,00			--
0037		PVVR40119	CONNECTION M22X1,5 IRV G5000	1,00			--
0038		RCIN40048	GUDGEON G 1/4 F IRV G6000/2	1,00			--
0039		GUVR40034	ANTI-EXTR.RING D. 10 X14	1,00			--
0040		GUGO63555	O-RING D. 9.3 X 2,4 VIT 75SH	1,00			--



Ref. Part n.	Part n. 2	Description	Reference	Price
KTRI40243		KIT P 26- 26 SWIVEL G 5100	0015 0016 0017	--
KTRI40513		KIT P 26- 36 G 6000/II	0002 0003 0005 0006	--