

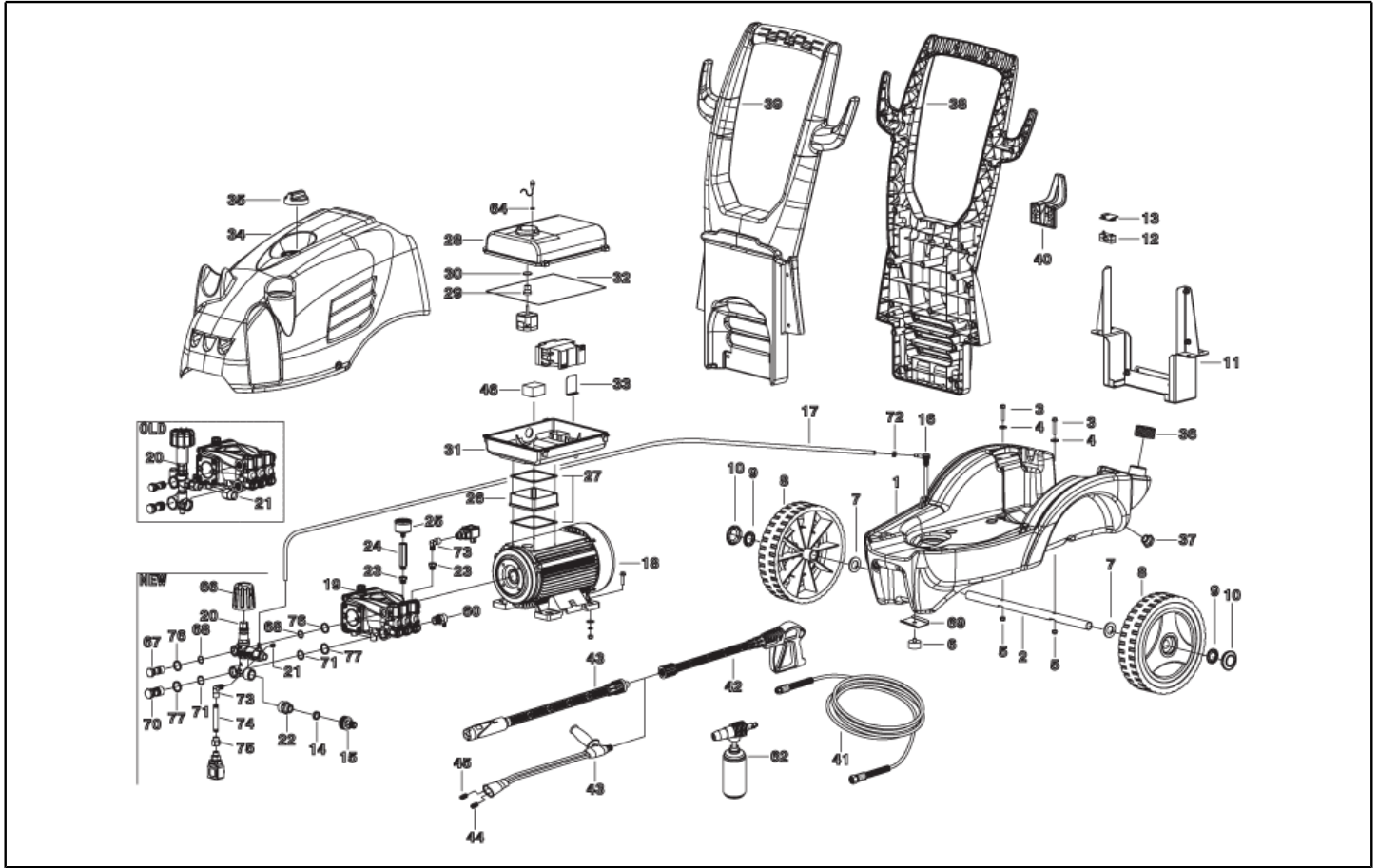


**IPC**

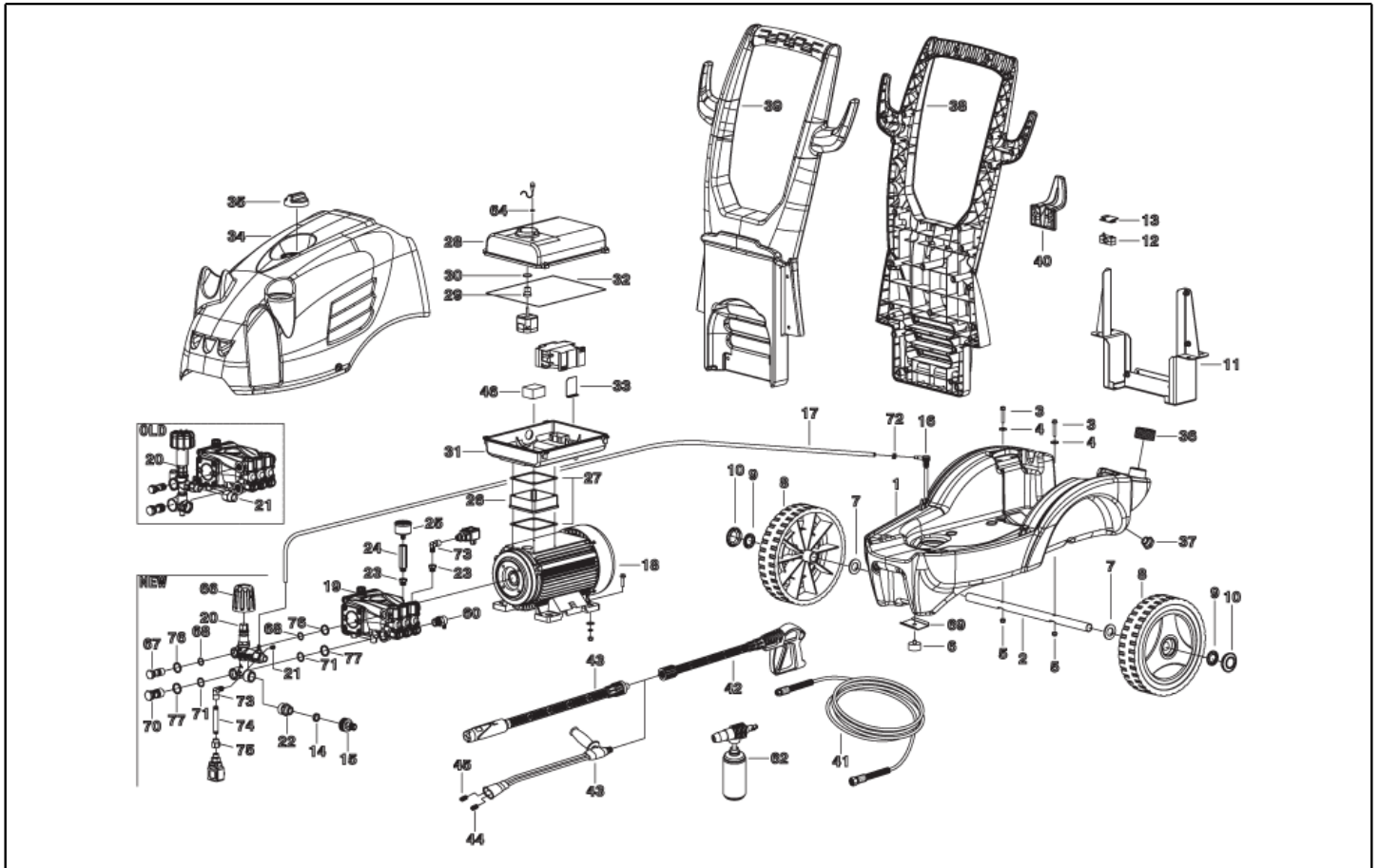
**Spare parts list**

Ref: IDAF40548

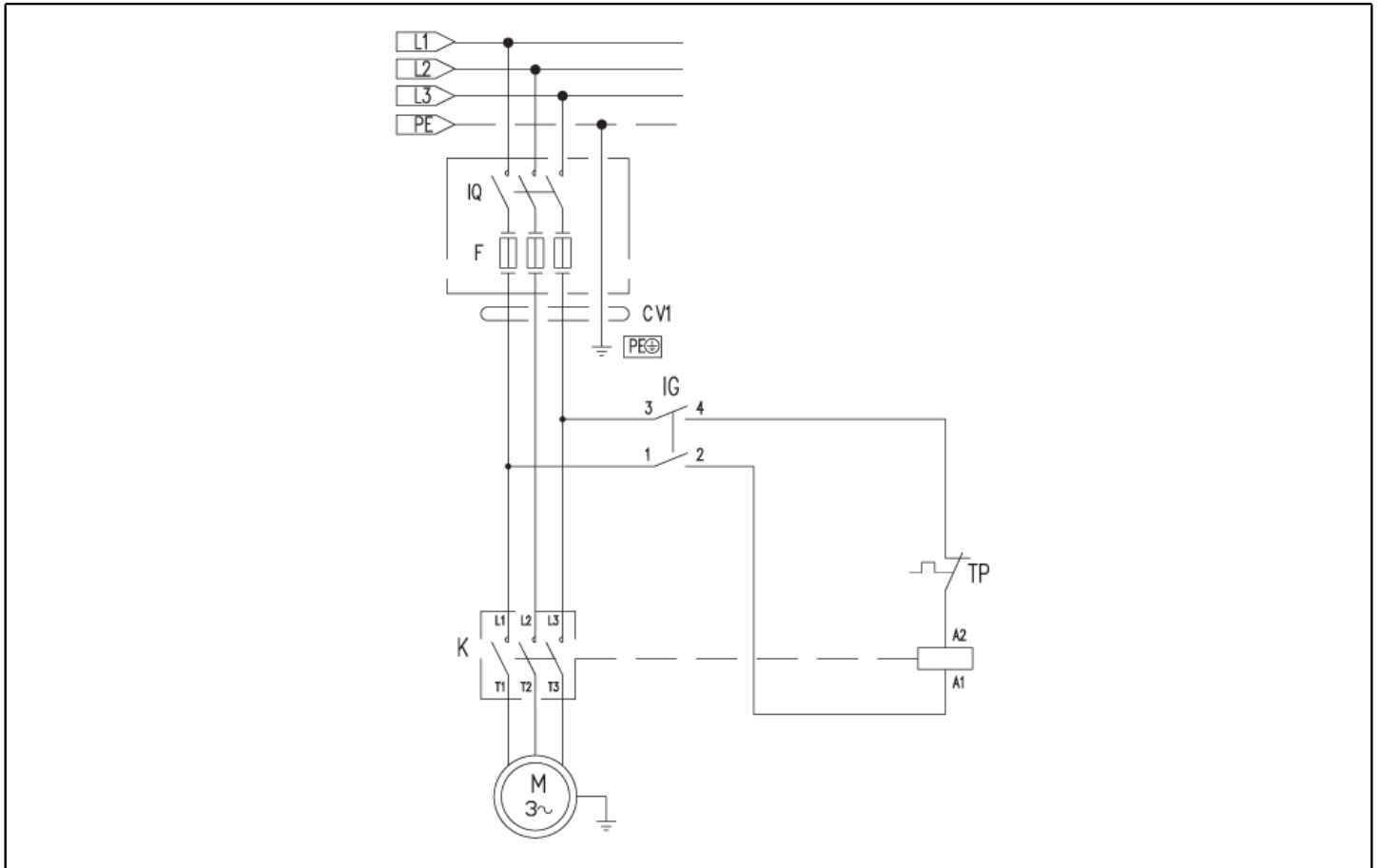
Model: H.P. CLEANER N.ELT-C 1813P T400/50PRS



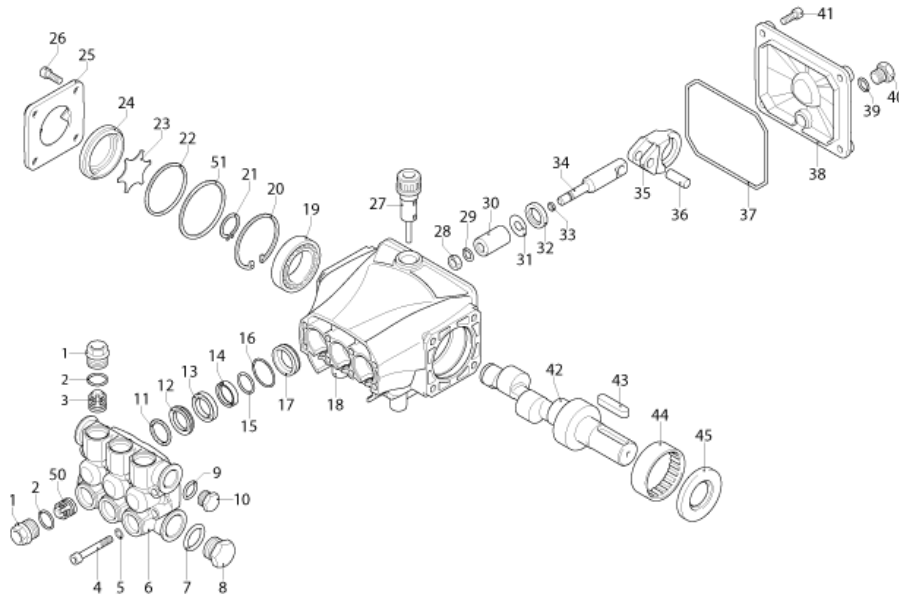
Ref. K	Part n.	Part n. 2	Description	Quantity	Validity		Price
					From	To	
0001	MPVR40329		CHASSIS PW-C40 PEHD BK	1,00			--
0002	LAFN40450		TROLLEY AXLE PW-C40 D.20 ZC.	1,00			--
0003	VTRS13945		WASHER D. 6X18 INX UNI 6593	2,00			--
0004	VTVT06242		SCREW TE M 6X 35 F/RD.ZN	2,00			--
0005	VTDD00491		NUT M 6 TEF	2,00			--
0006	ABGO40000		VIBRATION DAMP. 30X15- 1M8X 8 60SH GMn	1,00			--
0007	VTRS00509		WASHER D.20 PIANA Z. UNI6592	2,00			--
0008	RTRT40019		WHEEL D.250-D.20X 58 RES BK.	2,00			--
0009	VTRS28558		WASHER D.20	2,00			--
0010	MPVR40343		BLACK CAP D.50 G-48 BK.	2,00			--
0011	LAFN40456		BRACKET PW-C40 BK.	1,00			--
0012	LAFN40457		SUPPORT PW-C40	1,00	01/12/2011		--
0013	MEVR20906		CABLE CLAMP KSM	1,00	01/12/2011		--
0014	FTDT12702		FILTER PA	1,00			--
0015	RCVR29600		SOCKET PTC 3/4 F	1,00			--
0016	RCDS40110		SUCTION L= 110 -2 O-RING	1,00			--
0017	TBBP62474		L.P. HOSE D. 7-10 CR.	0,50			--
0018	MOTR40028		3PH MOTOR C40/AC HP 5.5 400-50 2P	1,00	21/03/2014		--
0019	PPAP40056		PUMP RCS 13.18 DX N	1,00	21/03/2014		--
0020	VVAZ40016		VALVE AR M.MATIC 4/B-RC+H2.0 FT	1,00		20/03/2014	--
0020	VVAZ40068		VALVE VRZ-RC I.2.0	1,00	21/03/2014		--
0021	RCIN03753		MALE COUPLING M22-3/8 M-FA	1,00	21/03/2014		--
0022	RCDS87610		NIPPLE 3/4 - 1/2 CB D.13.0	1,00	21/03/2014		--
0023	PVVR40183		CAP AR RC C/F. 1/8F+OR	1,00	21/03/2014		--
0024	RCDS40111		COLUMN M-F 1/8 L=65 MM OT.	1,00	21/03/2014		--
0025	MNMN18650		PRESSURE GAUGE 0-300 D.40	1,00		23/01/2013	--
0025	MNMN93800		PRESSURE GAUGE 1/8 POST. 0-300 D.40 S/ST	1,00	21/03/2014		--
0026	MPVR13033		SPACER SIC H90	1,00			--
0027	GUGO10881		GASKET M.EL. 73X73	1,00			--
0027	GUGO10881		GASKET M.EL. 73X73	1,00			--
0028	MPVR40335		BOX COVER PW-C40 ABS BK.	1,00			--
0029	MPVR23482		SWITCH TANG TEC. TUV	1,00			--
0030	GUGO25527		O-RING D. 14 X 3 NBR 70SH	1,00			--
0031	MPVR40334		CONTROL BOX PW-C4/50 ABS BK.	1,00			--
0032	GUGO11309		JOINT MOUSSE D. 3	1,00		14/10/2011	--
0032	GUGO33675		JOINT MOUSSE D. 4	0,90	15/10/2011		--
0033	LAFN40458		SUPPORT PW-C40 INX	1,00			--
0034	MPVR40339		RED COVER PW-C40 PPL	1,00			--
0035	MPVR49057		BLACK KNOB P176-M.RACE PA6	1,00			--
0036	MPVR40849		TANK CAP 1-1/4F C/F.R. d.1.5	1,00	10/10/2016		--
0036	MPVR60848		TANK CAP 1-1/4F	1,00		09/10/2016	--
0037	RCVR40046		CAP 1/4 M OT.NIK EI D. 6	1,00			--
0038	MPVR40346		HANDLE PW-C4/50 PST.BS PP BK.	1,00			--
0039	MPVR40347		HANDLE PW-C4/50 ANT.BS PP BK.	1,00			--



Ref. K	Part n.	Part n. 2	Description	Quantity	Validity		Price
					From	To	
0040	MPVR80139		HOSE REEL H110	1,00	01/12/2011		--
0041	TBAP25324		H.P. HOSE R1 MT 10 5/16" C/2 IRV ZC	1,00			--
0042	IPIP40006		GRIP G 5100+AT.RAP.AR3-K +SW.M	1,00		14/04/2016	--
0042	IPIP40014		GRIP G 6000+AT.RAP.AR4-K +SW.M	1,00	15/04/2016	14/06/2018	--
0042	IPIP40022		GRIP G 6000+AT.AR4-K +SW.M 2V.	1,00	15/06/2018		--
0043	LCLC40004		LANCE SF-IX/PU 700 +AR3-K +1/4F	1,00	11/09/2013		--
0044	UGLN49987		NOZZLE LECH 1/4 15045	1,00	11/09/2013		--
0060	VVSC40021		VALVE 1/2" ML610 56° 10b.	1,00		20/03/2014	--
0060	VVSC40021		VALVE 1/2" ML610 56° 10b.	1,00	15/05/2018		--
0060	VVSC40550		VALVE 1/2" 56°C	1,00	21/03/2014	14/05/2018	--
0062	LCPR40039		FOAM DEVICE FL803 -TK.1LT +AR3-K	1,00			--
0069	LAFN40714		REINFORCEMENT PW-C40 ZC.	1,00	01/03/2017		--
0072	FSVR11957		CLAMP D. 9.5-12 CLIC	1,00	01/02/2016		--
0072	FSVR40006		CLAMP D 9.8 - 10.4	1,00	01/12/2011	31/01/2016	--



Ref. K	Part n.	Part n. 2	Description	Quantity	Validity		Price
					From	To	
K	METT40013		CONTACTOR SIE 3RT 2017-1AV01 400V	1,00	15/10/2014		--
K	METT40664		CONTACTOR SIE 3RT 1017 1AV01 400V	1,00		14/10/2014	--
IG	MECI40020		SWITCH BRM BP. 0-1 12A	1,00	20/10/2014		--
IG	MECI40022		SWITCH BRM BP. 0-1 20A	1,00		19/10/2014	--
CV1	MECB40002		CABLE H07 RNF 4X1.5 L=6.500	1,00			--



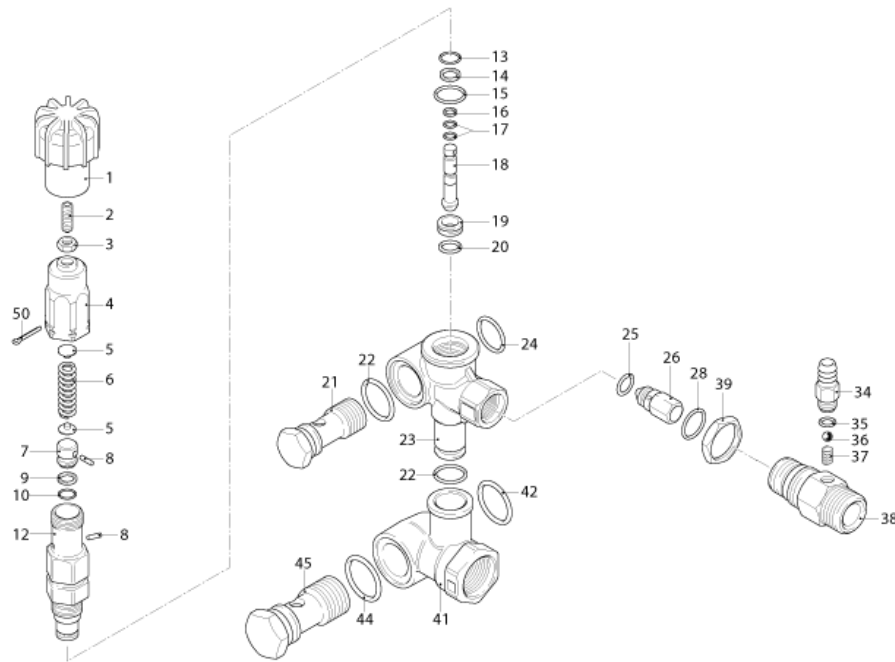
Ref. K	Part n.	Part n. 2	Description	Quantity	Validity		Price
					From	To	
0001	PVVR40120		CAP AR RC	6,00			--
0002	GUGO03505		O-RING D. 15.6 X 1.78 NBR 70SH	6,00			--
0003	S VVAM40002		VALVE UNIT RC	6,00		31/07/2012	--
0003	S VVAM40002		VALVE UNIT RC	3,00	01/08/2012		--
0004	VTVT06236		SCREW TCCE UNI 5931 6X40 ZB	8,00			--
0005	VTRS01077		WASHER D. 6.4X10X0,7	8,00			--
0006	MFVR40026		HEAD AR RCS OT.	1,00			--
0007	GUGO19245		O-RING D. 17.5 X 2 NBR 70SH	1,00			--
0008	PVVR40121		CAP 1/2 M RC	1,00			--
0009	GUGO09720		O-RING D. 14 X 1.78 NBR 70SH	1,00			--
0010	PVVR40099		CAP 3/8 M HRM	1,00			--
0011	S PVVR40158		HEAD RING D. 15 RCS	3,00			--
0012	S GUVR40028		PACKING D. 15 XJS	3,00			--
0013	PVVR40159		INTERMED. RING D. 15 RCS	3,00			--
0014	S GUVR40041		PACKING D. 15 RCS L.P.	3,00			--
0015	S GUVR40042		ANTI-EXTR.RING D.15	3,00			--
0016	S GUGO08182		O-RING D. 21.91 X 1.78 NBR 70SH	3,00			--
0017	PVVR40160		PACKING RETAIN. D. 15 RCS	3,00			--
0018	MFVR40027		PUMP CRANKCASE AR RCS	1,00			--
0019	CUVR28336		BALL BEARING 6304	1,00			--
0020	VTAE09661		CIRCLIP D. 52 UNI 7437	1,00			--
0021	VTAE06193		CIRCLIP D. 20 UNI 7435	1,00			--
0022	GUGO02561		O-RING D. 47.3 X 2.62 NBR 70SH	1,00			--
0023	PVVR40125		DISC RC	1,00		31/03/2016	--
0023	PVVR40472		OIL INDICATOR RC CPL.	1,00	01/04/2016		--
0024	PVVR40126		OIL INDICATOR RC	1,00		31/03/2016	--
0025	MFVR40021		CRANKASE COVER AR RC LT.	1,00			--
0026	VTVT01531		SCREW TE 6X 16 UNI 5739	8,00			--
0027	PVVR19231		OIL CAP XTS	1,00		31/03/2014	--
0027	PVVR40436		OIL CAP RC	1,00	01/04/2014		--
0028	VTDD00483		NUT M 8 ZIN UNI 5588	3,00			--
0029	VTRS19394		WASHER D. 8X13X0,5	3,00			--
0030	S PIVR19232		PISTON D. 15 XTS	3,00			--
0031	PVVR19233		DISC XTS	3,00			--
0032	S GUGO09690		OIL SEAL 15X 24X 5 NBR70	3,00			--
0033	GUGO08071		O-RING D. 4.48 X 1.78 NBR 70SH	3,00			--
0034	PVVR40127		PISTON GUIDE RC	3,00			--
0035	BLVR40001		CONNECTING ROD RC	3,00			--
0036	PVVR40128		GUIDGEON D. 9X23 RC	3,00			--
0037	GUGO18695		O-RING D. 101.27 X 2.62 NBR 70SH	1,00			--
0038	MFVR40022		CRANKASE COVER AR RC	1,00			--
0039	GUGO01036		O-RING D. 10.82 X 1.78 NBR 70SH	1,00			--
0040	PVVR40129		CAP 1/4 M RC	1,00			--
0041	VTVT09913		SCREW TCEI 6X16 UNI5931	4,00			--



Ref. K	Part n.	Part n. 2	Description	Quantity	Validity		Price
					From	To	
0042	ALMO40010		SHAFT AR RCS 13LT VRS. N	1,00			--
0043	VTVR41531		KEY 8X 7X35 UNI 6604A	1,00			--
0044	CUVR23636		ROLLER BEARING HK 4516	1,00			--
0045	S GUGO00999		OIL SEAL 25X 52X 7 NBR70	1,00			--
0050	S VVAM40007		VALVE UNIT RC ASP. BK	3,00	01/08/2012		--
0051	PVVR40437		RING D. 51.8 X0.5	1,00	01/04/2014		--

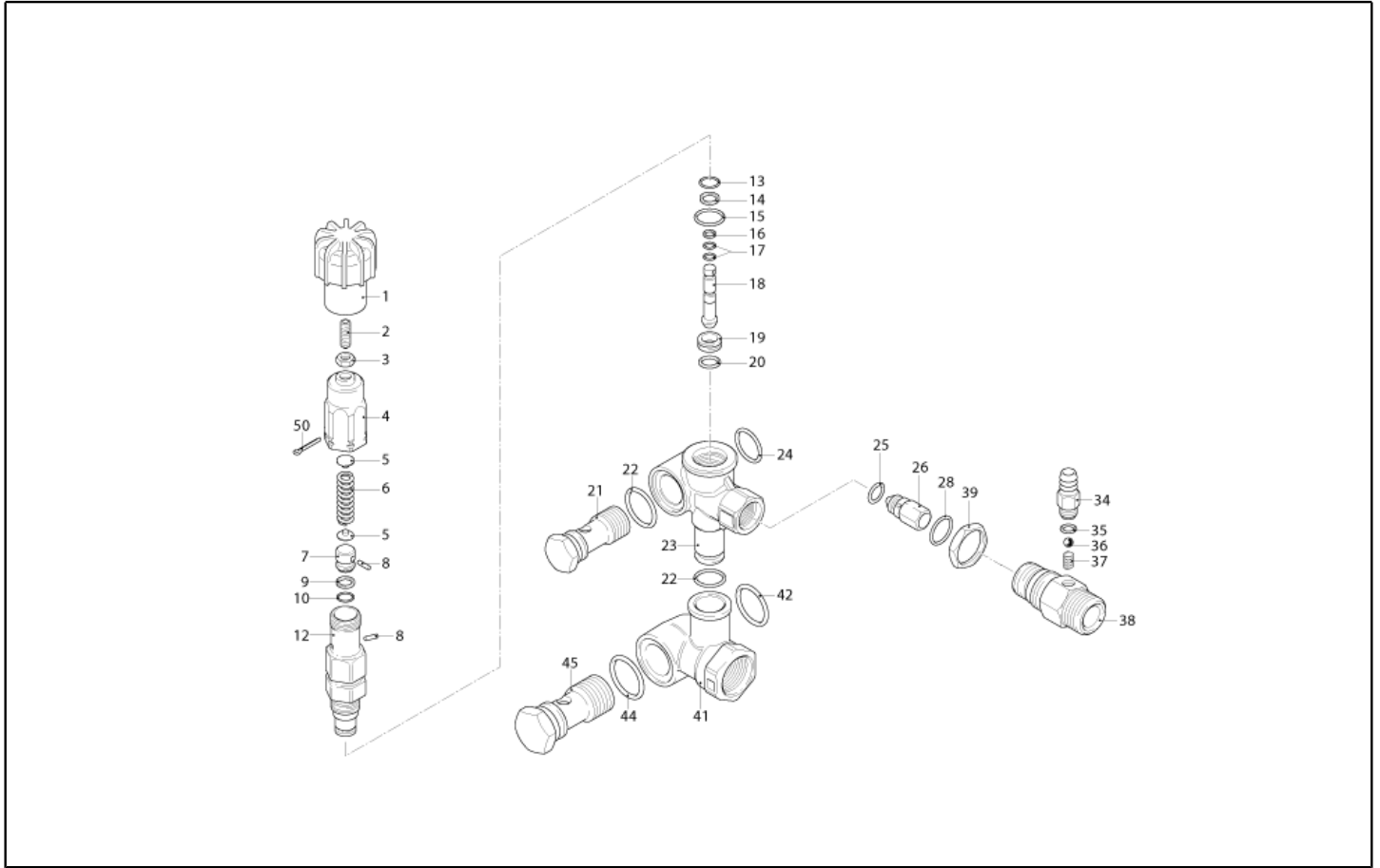


Ref. Part n.	Part n. 2	Description	Reference	Price
KTRI40092		KIT P 15-2186 RC	0003	--
KTRI40096		KIT P 15-42918 RC	0032 0045	--
KTRI40139		KIT P 15-42920 D.15 RCS	0030	--
KTRI40140		KIT P 15-42921 D.15 RCS	0012 0014 0015 0016	--
KTRI40141		KIT P 15-2191 D.15 RCS	0011	--
KTRI40207		KIT P 15-42914 RC 3+3 BL./WH.	0003 0003	--



Ref. K	Part n.	Part n. 2	Description	Quantity	Validity		Price
					From	To	
0001	PVVR40227		KNOB M.MT/4B	1,00			--
0002	VTVT20261		SCREW EI-ST 6X20 UNI5923	1,00			--
0003	VTDD00482		NUT M 6 ZIN UNI 5588	1,00			--
0004	PVVR40066		REGISTER AR XJS	1,00		30/06/2013	--
0004	PVVR40236		KNOB M.MT/4B	1,00	01/07/2013		--
0005	PVVR40067		SPRING PLATE AR XJS	2,00			--
0006	MLML40007		SPRING D. 10.8X48.9 D.2.8 XJS	1,00			--
0007	S PVVR40068		SMALL PISTON AR XJS SP.	1,00			--
0008	S VTVR19193		PLUG D. 2.5X10	1,00			--
0009	S GUVR40026		ANTI-EXTR.RING D. 8	1,00			--
0010	S GUGO06988		O-RING D. 7.66 X 1.78 NBR 70SH	1,00		30/06/2013	--
0010	S GUGO40179		O-RING D. 8 X 2 NBR 70SH	1,00	01/07/2013		--
0012	S PVVR40069		PISTON GUIDE AR XJS	1,00		30/06/2013	--
0012	S PVVR40385		PISTON GUIDE AR XJS 2V.	1,00	01/07/2013		--
0013	S GUGO09720		O-RING D. 14 X 1.78 NBR 70SH	1,00			--
0014	S GUGO63403		O-RING D. 8.73 X 1.78 NBR 70SH	1,00			--
0015	S GUGO02259		O-RING D. 15.54 X 2.62 NBR 70SH	1,00			--
0016	S GUVR40027		ANTI-EXTR.RING D. 3.7	1,00			--
0017	S GUGO19189		O-RING D. 2.90 X 1.78 NBR 70SH	2,00			--
0018	S PVVR40070		CONTROL PISTON AR XJS IF.	1,00			--
0019	S PVVR40071		VALVE SEAT AR XJS	1,00			--
0020	S GUGO41692		O-RING D. 9 X 1 NBR 70SH	1,00			--
0021	RCDS40068		SCREW G 3/8 M.MATIC 4/B OT.	1,00			--
0022	GUGO01047		O-RING D. 11.91 X 2.62 NBR 70SH	2,00			--
0023	PVVR40130		VALVE BODY M.MATIC 4/B	1,00			--
0024	GUGO19395		O-RING D. 20.24 X 2.62 NBR 70SH	1,00			--
0025	S GUGO12494		O-RING D. 4 X 2.5 -NBR 70SH	1,00			--
0026	S PVVR40074		COUPLING N.RIT. XJS	1,00			--
0027	MLML32257		SPRING D. 6.5 X14 D.0.5	1,00		30/06/2013	--
0028	S GUGO11652		O-RING D. 12.42 X 1.78 NBR 70SH	1,00			--
0034	PVVR40135		HOSE FITTING M.MATIC 4/B IN.	1,00			--
0035	GUGO08071		O-RING D. 4.48 X 1.78 NBR 70SH	1,00			--
0036	SFVR04274		BALL D. 7/32	1,00			--
0037	MLML40008		SPRING D. 4	1,00			--
0038	RCDS40074		NIPPLE G 3/8 D. 2 M.MATIC 4/B	1,00			--
0039	VTDD40003		LOCKNUT M20x1	1,00			--
0041	PVVR40131		CONNECTOR M.MATIC 4/B	1,00			--
0042	GUGO76542		O-RING D. 23.47 X 2.62 NBR 70SH	1,00			--
0044	GUGO01058		O-RING D. 17.17 X 1.78 NBR 70SH	1,00			--
0045	RCDS40070		SCREW G 1/2 M.MATIC 4/B	1,00			--
0050	VTVR40025		SPLIT PIN D. 2.6X15	1,00			--

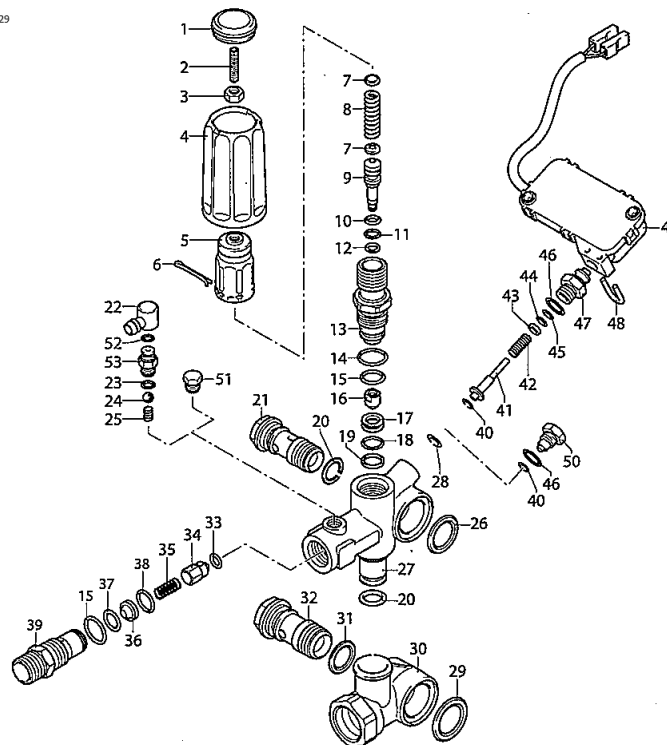




Ref. Part n.	Part n. 2	Description	Reference	Price
KTRI40127		KIT P 14-100 M.MATIC 4/B	0007 0008 0009 0010 0012 0013 0014 0015 0016 0017 0018 0019 0020	--
KTRI40128		KIT P 14-101 M.MATIC 4/B CK.V.	0025 0026 0028	--

# VRZ TSS + ID

KIT F = pos. 10 11 14 15 18 19 20 23 28 29  
31 33 37 38 40 44 45 46

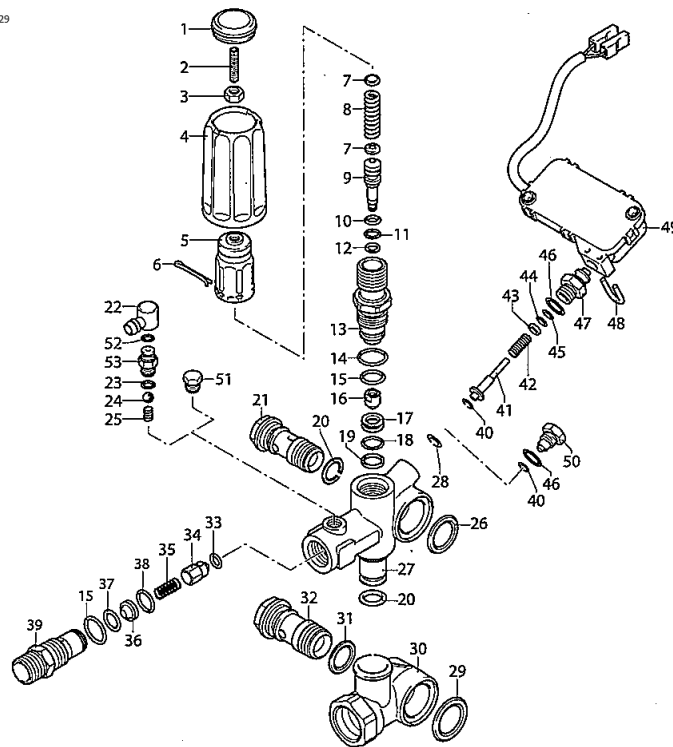


UN\_00\_4104-FR

Ref. K	Part n.	Part n. 2	Description	Quantity	Validity		Price
					From	To	
0001	PVVR40241		CAP VRC-BM	1,00			--
0002	VTVT40051		SCREW STEI M 6X25	1,00			--
0003	PVVR40292		NUT AR	1,00			--
0004	PVVR40418		KNOB VRZ	1,00			--
0005	PVVR40236		KNOB M.MT/4B	1,00			--
0006	VTVR40025		SPLIT PIN D. 2,6X15	1,00			--
0007	PVVR40067		SPRING PLATE AR XJS	2,00			--
0008	PVVR40419		SPRING VALVOLA VRZ	1,00			--
0009	PVVR40420		PISTON VRC-BM	1,00			--
0010	S GUGO40046		O-RING D. 6.02 X 2.62 NBR 90SH	1,00			--
0011	S GUGO12489		O-RING D. 6.07 X 1.78 NBR 70SH	1,00			--
0012	GUVR40072		ANTI-EXTR.RING D. 6.5X 9.4	1,00			--
0013	PVVR40421		PISTON GUIDE VRZ	1,00			--
0014	S GUGO03505		O-RING D. 15.6 X 1.78 NBR 70SH	1,00			--
0015	S GUGO11652		O-RING D. 12.42 X 1.78 NBR 70SH	2,00			--
0016	PVVR40423		COUPLING AR VRZ	1,00			--
0017	PVVR40424		VALVE SEAT AR VRZ	1,00			--
0018	S GUGO19194		O-RING D. 11.11 X 1.78 NBR 70SH	1,00			--
0019	S GUVR40085		ANTI-EXTR.RING D. 14 X11,8X1	1,00			--
0020	S GUGO01047		O-RING D. 11.91 X 2.62 NBR 70SH	2,00			--
0021	RCDS40068		SCREW G 3/8 M.MATIC 4/B OT.	1,00			--
0022	PVVR40426		HOSE FITTING VALVOLA VRZ	1,00			--
0023	S GUGO08071		O-RING D. 4.48 X 1.78 NBR 70SH	1,00			--
0024	SFVR04274		BALL D. 7/32	1,00			--
0025	MLML40008		SPRING D. 4	1,00			--
0026	GUGO40057		O-RING D. 20.29 X 2.62-NBR 70SH	1,00			--
0027	PVVR40427		VALVE BODY VRZ	1,00			--
0028	S GUGO40031		O-RING D. 3.68 X 1.78 NBR 90SH	1,00			--
0029	S GUGO76542		O-RING D. 23.47 X 2.62 NBR 70SH	1,00			--
0030	PVVR40428		BODY VALVOLA VRZ	1,00			--
0031	S GUGO01058		O-RING D. 17.17 X 1.78 NBR 70SH	1,00			--
0032	RCDS40070		SCREW G 1/2 M.MATIC 4/B	1,00			--
0033	S GUGO12494		O-RING D. 4 X 2.5 -NBR 70SH	1,00			--
0034	PVVR40422		COUPLING AR VRZ	1,00			--
0035	PVVR40252		SPRING VRC-BM	1,00			--
0036	PVVR40253		INSERT INIETT. VRC-BM	1,00			--
0037	S GUGO41692		O-RING D. 9 X 1 NBR 70SH	1,00			--
0038	S GUGO63495			1,00			--
0039	PVVR40254		INJECTOR DETERG. VRC-BM	1,00			--
0040	S GUVR40084		ANTI-EXTR.RING PARBAK 8-007	1,00			--
0041	PVVR40425		CONTROL ROD AR TSS VRZ	1,00			--
0046	S GUGO06988		O-RING D. 7.66 X 1.78 NBR 70SH	1,00			--
0050	PVVR40434		CAP VALVOLA VRZ	1,00			--
0052	GUGO03500		O-RING D. 6.75 X 1.78 NBR 70SH	1,00			--

# VRZ TSS + ID

KIT F = pos. 10 11 14 15 18 19 20 23 28 29  
31 33 37 38 40 44 45 46

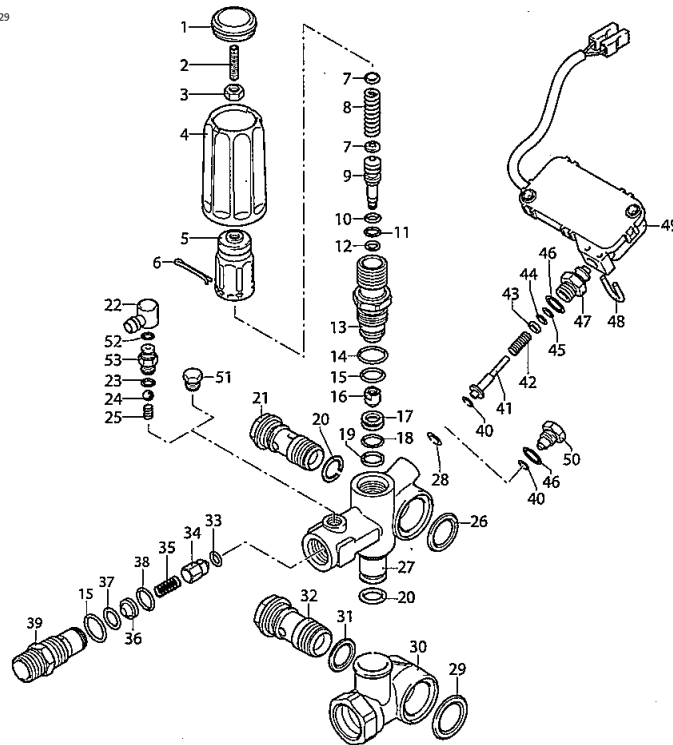


UN\_00\_4104-FR

Ref. K	Part n.	Part n. 2	Description	Quantity	Validity		Price
					From	To	
0053	PVVR40435		CONNECTOR VALVOLA VRZ	1,00			--

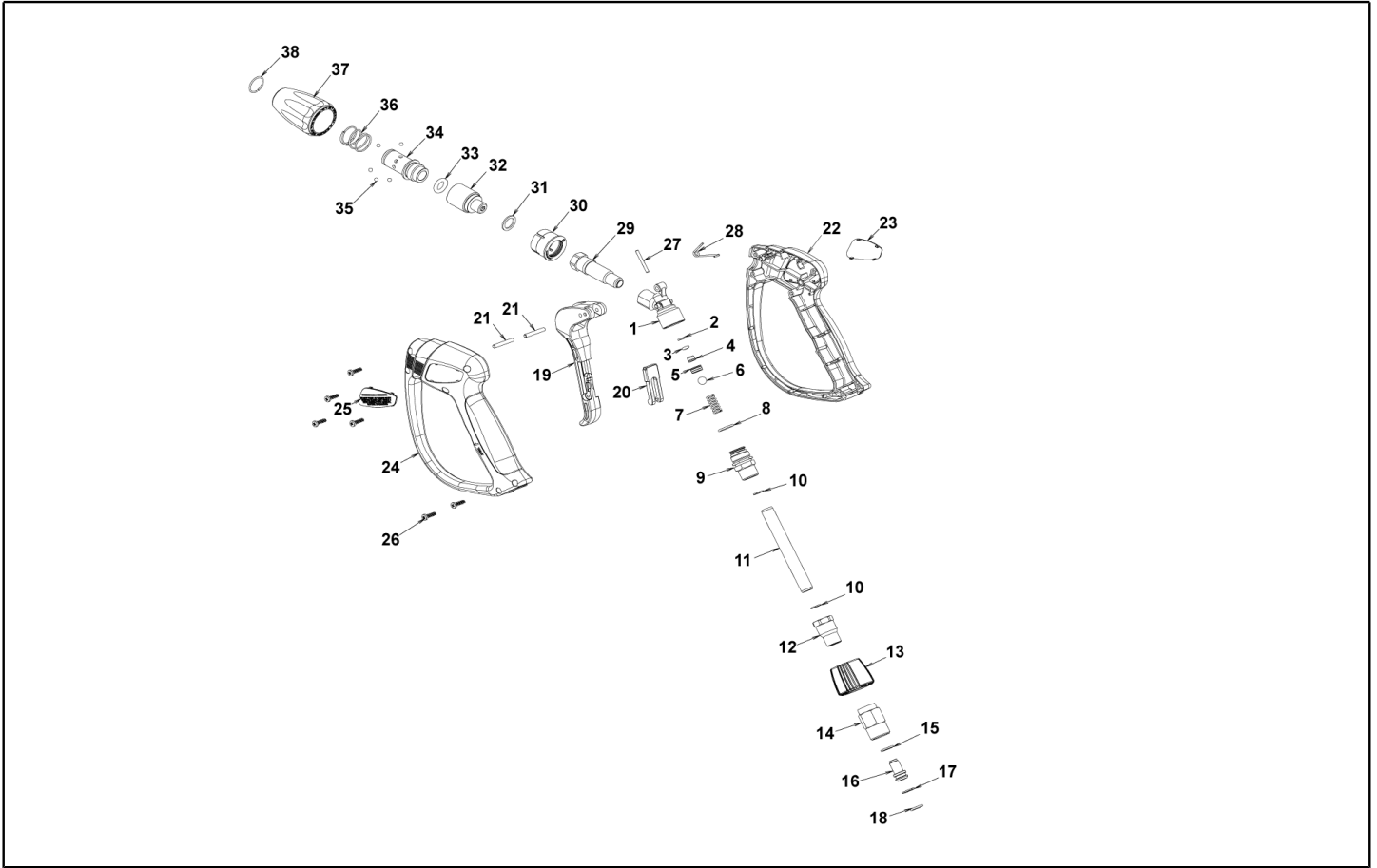
# VRZ TSS + ID

KIT F = pos. 10 11 14 15 18 19 20 23 28 29  
31 33 37 38 40 44 45 46

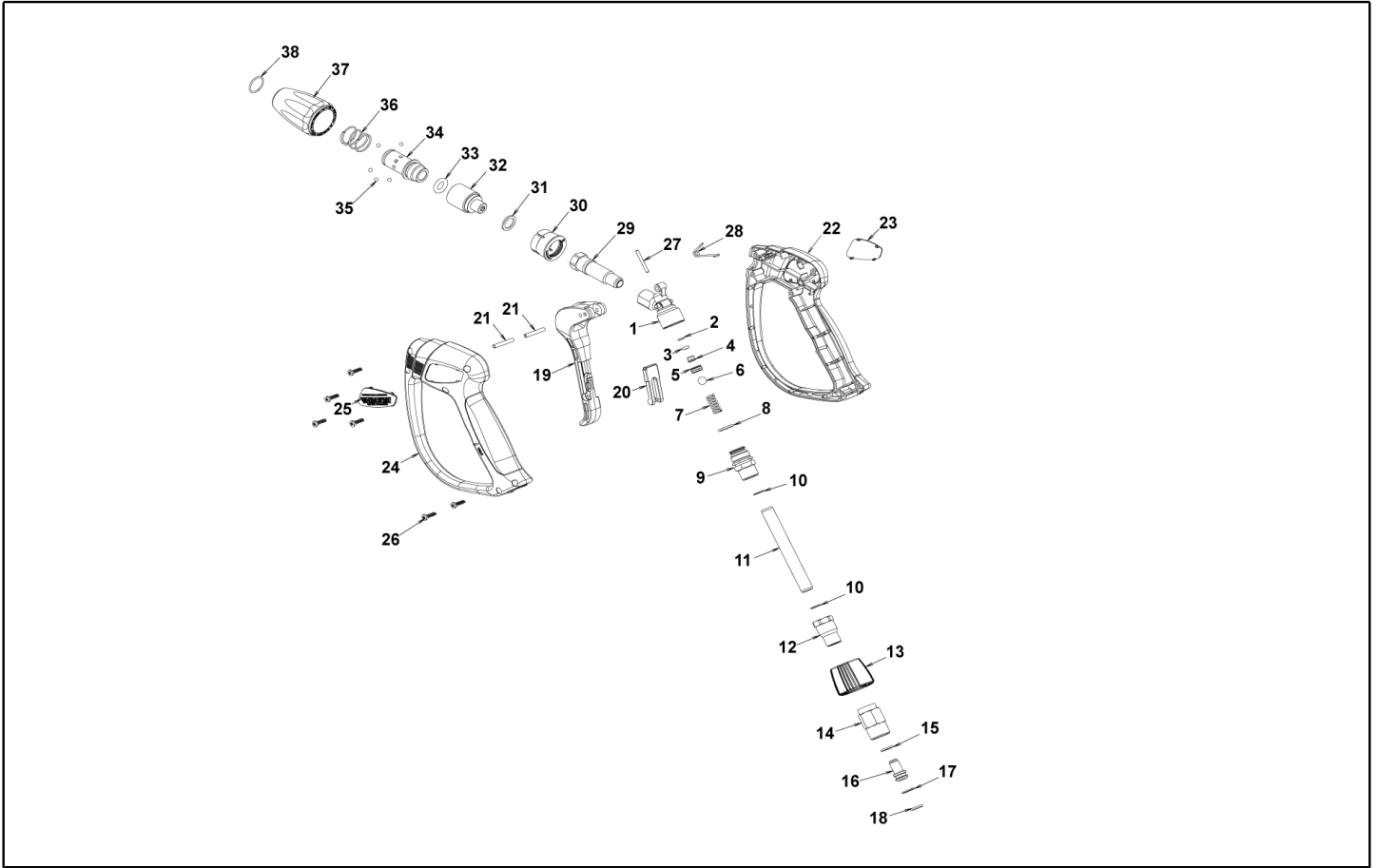


UN\_00\_4104-FR

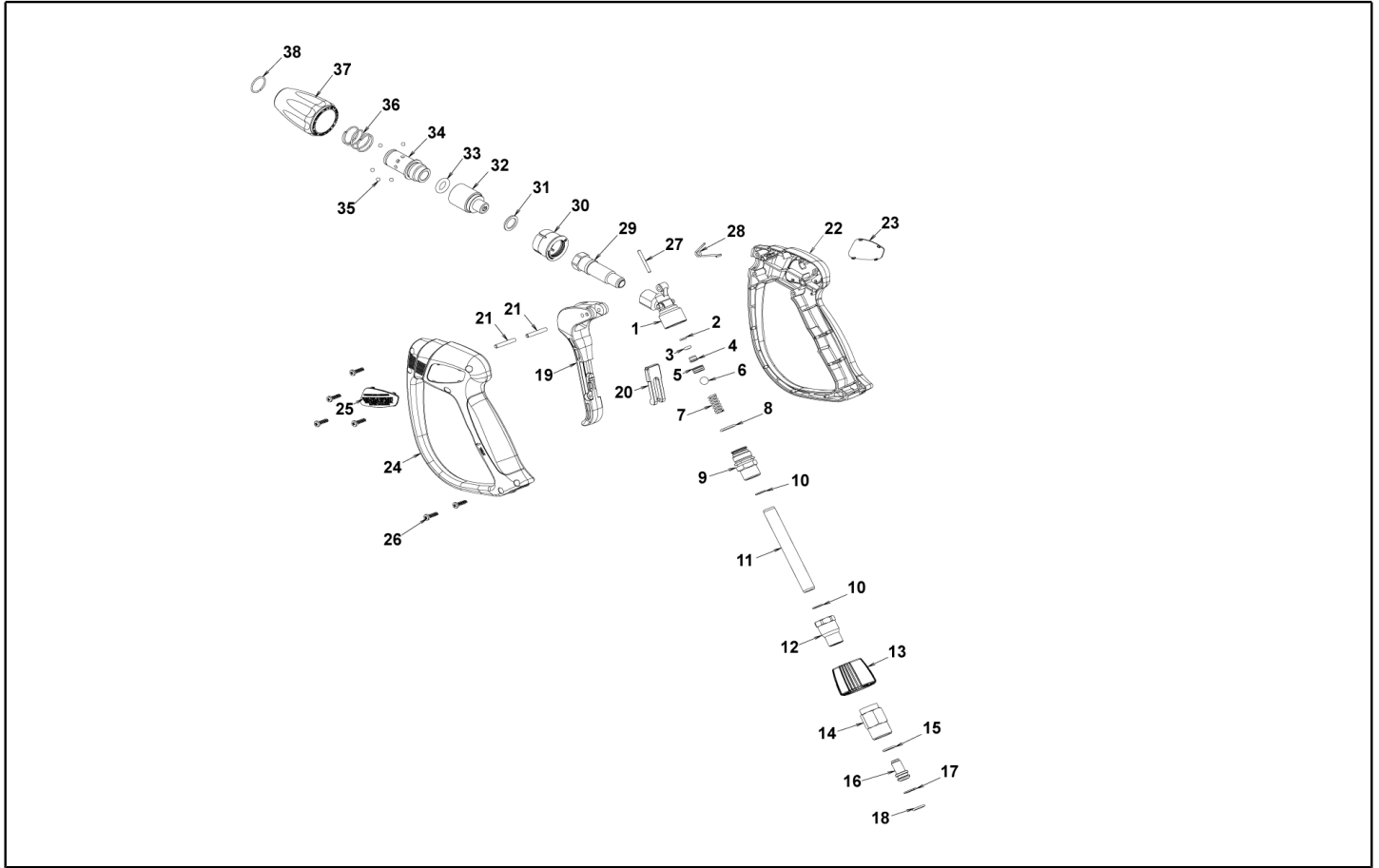
Ref. Part n.	Part n. 2	Description	Reference	Price
F	KTRI40293	KIT P SET O-RING VALVOLA VRZ	0010 0011 0014 0015 0018 0019 0020 0023 0028 0029 0031 0033 0037 0038 0040 0044 0045 0046	--



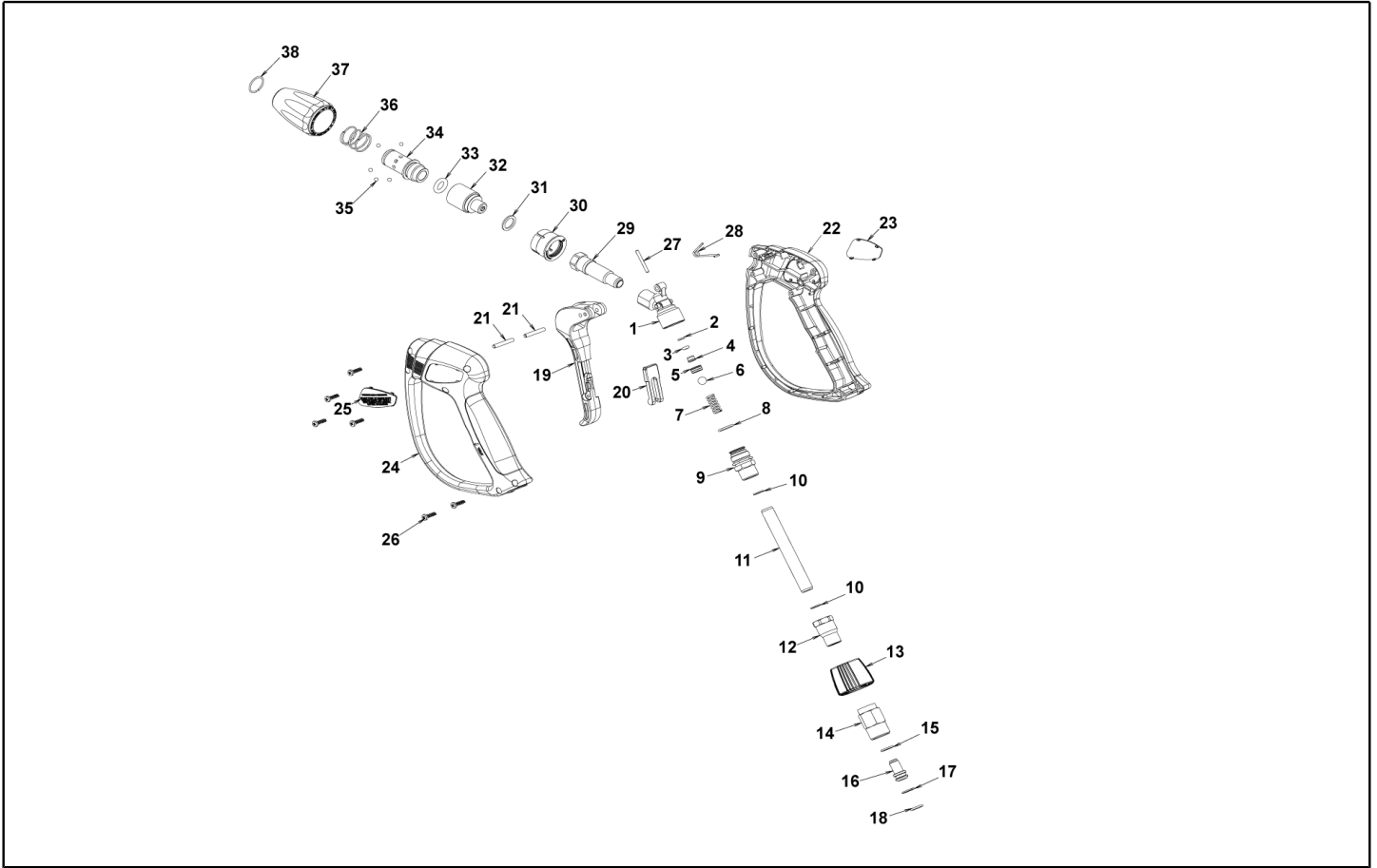
Ref. K	Part n.	Part n. 2	Description	Quantity	Validity		Price
					From	To	
0001	PVVR40381		GUN BODY G 5100 G1/4F	1,00			--
0002	S	GUVR40074	ANTI-EXTR.RING D. 3 X 7.4X1.3	1,00			--
0003	S	GUGO21835	O-RING D. 2.84 X 2.62 VIT. 80SH	1,00			--
0004	PVVR40382		PISTON GUIDE G 5100	1,00			--
0005	S	PVVR40112	BALL SEAT G 5000	1,00			--
0006	S	SFVR40002	BALL D.11/32" ALL GR16	1,00			--
0007	MLML40016		SPRING D. 9.4 x21.5x1.6 G5000	1,00			--
0008	GUGO12322		O-RING D. 14 X 1.78 NBR 90SH	1,00			--
0009	PVVR40383		CONNECTOR COLL.G5100 1/4F	1,00			--
0010	VTRS40017		WASHER D. 8.2X11,4X1.00	2,00			--
0011	PVVR40384		TUBE G 1/4" L.105	1,00			--
0012	RCIN40022		CONNECTOR SWIV G5100 1/4F	1,00			--
0013	MPVR40819		RING NUT G 5100 SW. BK.	1,00			--
0014	RCIN40021		JOINT SWIV 5100 M22	1,00			--
0015	S	GUVR40075	ANTI-EXTR.RING D. 10 X14X1.5	1,00			--
0016	PVVR40386		SCREW SW. G 5100	1,00			--
0017	S	GUVR40076	ANTI-EXTR.RING D. 11.2X14X1.2	1,00			--
0018	S	GUGO15295	O-RING D. 10.82 X 1.78 VIT 75SH	1,00			--
0019	MPVR40820		TRIGGER G 6000-SW	1,00			--
0020	MPVR40821		SAFETY-DEVICE G 6000-SW	1,00			--
0021	VTVR40047		PLUG D. 4X29	2,00			--
0022	MPVR40822		SHELL G 6000-SW DX	1,00			--
0023	MPVR40823		PLATE G 6000 GR.DX	1,00			--
0024	MPVR40824		SHELL G 6000-SW SX	1,00			--
0025	MPVR40825		PLATE G 6000 GR.SX	1,00			--
0026	VTVT40043		SCREW AF 4X 14 HILO ZN.N	6,00			--
0027	PVVR40387		SMALL PISTON G 5100	1,00			--
0028	MLML40029		SPRING G 5100	1,00			--
0029	PVVR40521		CONNECTOR AL55 G1/4F	1,00			--
0030	MPVR40856		PROTECTION AR 4	1,00			--
0031	VTRS48089		WASHER D.13,5X18 X1,5 RM.	1,00			--
0032	PVVR40522		CONNECTOR AR 4 G1/4 M OT	1,00			--
0033	GUGO40079		O-RING D. 11 X 4 VIT 75SH	1,00			--
0034	PVVR40523		JOINT BODY AR 4 OT	1,00			--
0035	SFVR40003		BALL D.5/32" AISI 420C I.3290	8,00			--
0036	MLML40043		SPRING D. 23 X24.0 D.1.4 IX	1,00			--
0037	PVVR40524		KNOB AR 4 INS.OT	1,00			--
0038	VTAE40010		CIRCLIP D.18 -D.1.5 AR 4	1,00			--



Ref. Part n.	Part n. 2	Description	Reference	Price
KTRI40243		KIT P 26- 26 SWIVEL G 5100	0015 0017 0018	--
KTRI40414		KIT P 26- 34 G 6000	0002 0003 0005 0006	--



Ref. K	Part n.	Part n. 2	Description	Quantity	Validity		Price
					From	To	
0001	PVVR40381		GUN BODY G 5100 G1/4F	1,00			--
0002	S	GUVR40074	ANTI-EXTR.RING D. 3 X 7.4X1.3	1,00			--
0003	S	GUGO21835	O-RING D. 2.84 X 2.62 VIT. 80SH	1,00			--
0004	PVVR40382		PISTON GUIDE G 5100	1,00			--
0005	S	PVVR40563	BALL SEAT AL36 G6000 + OR	1,00			--
0006	S	SFVR40004	BALL D. 5/16" ALL.GR16	1,00			--
0007	MLML40047		SPRING D. 9.4 x23.5x1.6 G6000	1,00			--
0008	GUGO12322		O-RING D. 14 X 1.78 NBR 90SH	1,00			--
0009	PVVR40383		CONNECTOR COLL.G5100 1/4F	1,00			--
0010	VTRS40017		WASHER D. 8.2X11,4X1.00	2,00			--
0011	PVVR40384		TUBE G 1/4" L.105	1,00			--
0012	RCIN40022		CONNECTOR SWIV G5100 1/4F	1,00			--
0013	MPVR40967		RING NUT G 6000 SW. GR.	1,00			--
0014	RCIN40021		JOINT SWIV 5100 M22	1,00			--
0015	S	GUVR40075	ANTI-EXTR.RING D. 10 X14X1.5	1,00			--
0016	PVVR40386		SCREW SW. G 5100	1,00			--
0017	S	GUVR40076	ANTI-EXTR.RING D. 11.2X14X1.2	1,00			--
0018	S	GUGO15295	O-RING D. 10.82 X 1.78 VIT 75SH	1,00			--
0019	MPVR40820		TRIGGER G 6000-SW	1,00			--
0020	MPVR40821		SAFETY-DEVICE G 6000-SW	1,00			--
0021	VTVR40047		PLUG D. 4X29	2,00			--
0022	MPVR40822		SHELL G 6000-SW DX	1,00			--
0023	MPVR40968		PLATE G 6000/2 GR.DX	1,00			--
0024	MPVR40824		SHELL G 6000-SW SX	1,00			--
0025	MPVR40825		PLATE G 6000 GR.SX	1,00			--
0026	VTVT40043		SCREW AF 4X 14 HILO ZN.N	6,00			--
0027	PVVR40564		SMALL PISTON G 6000 AL36 SP.	1,00			--
0028	MLML40029		SPRING G 5100	1,00			--
0029	PVVR40521		CONNECTOR AL55 G1/4F	1,00			--
0030	MPVR40856		PROTECTION AR 4	1,00			--
0031	VTRS48089		WASHER D.13,5X18 X1,5 RM.	1,00			--
0032	PVVR40522		CONNECTOR AR 4 G1/4 M OT	1,00			--
0033	GUGO40079		O-RING D. 11 X 4 VIT 75SH	1,00			--
0034	PVVR40523		JOINT BODY AR 4 OT	1,00			--
0035	SFVR40003		BALL D.5/32" AISI 420C I.3290	8,00			--
0036	MLML40043		SPRING D. 23 X24.0 D.1.4 IX	1,00			--
0037	PVVR40524		KNOB AR 4 INS.OT	1,00			--
0038	VTAE40010		CIRCLIP D.18 -D.1.5 AR 4	1,00			--



Ref. Part n.	Part n. 2	Description	Reference	Price
KTRI40243		KIT P 26- 26 SWIVEL G 5100	0015 0017 0018	--
KTRI40513		KIT P 26- 36 G 6000/II	0002 0003 0005 0006	--