

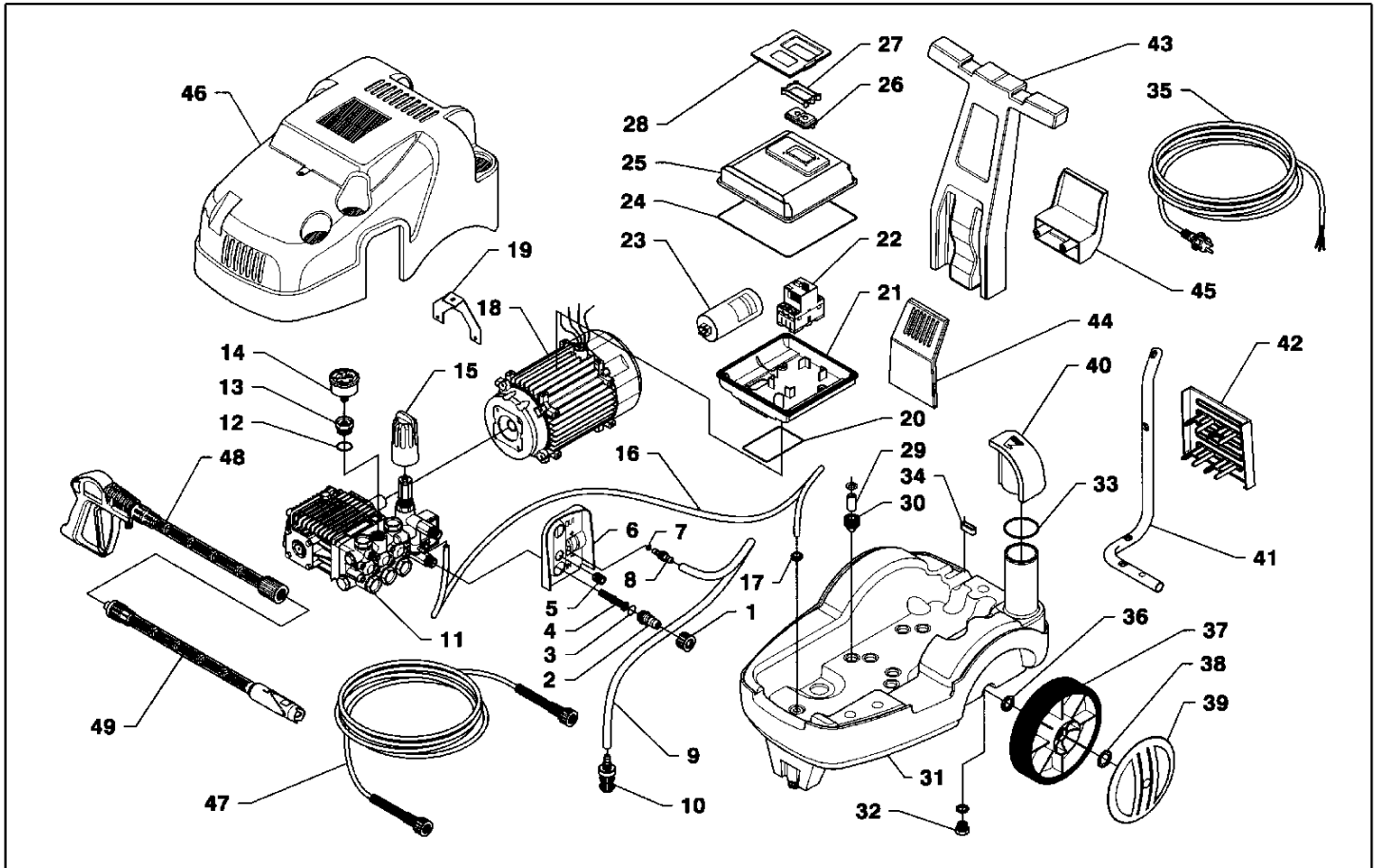


IPC

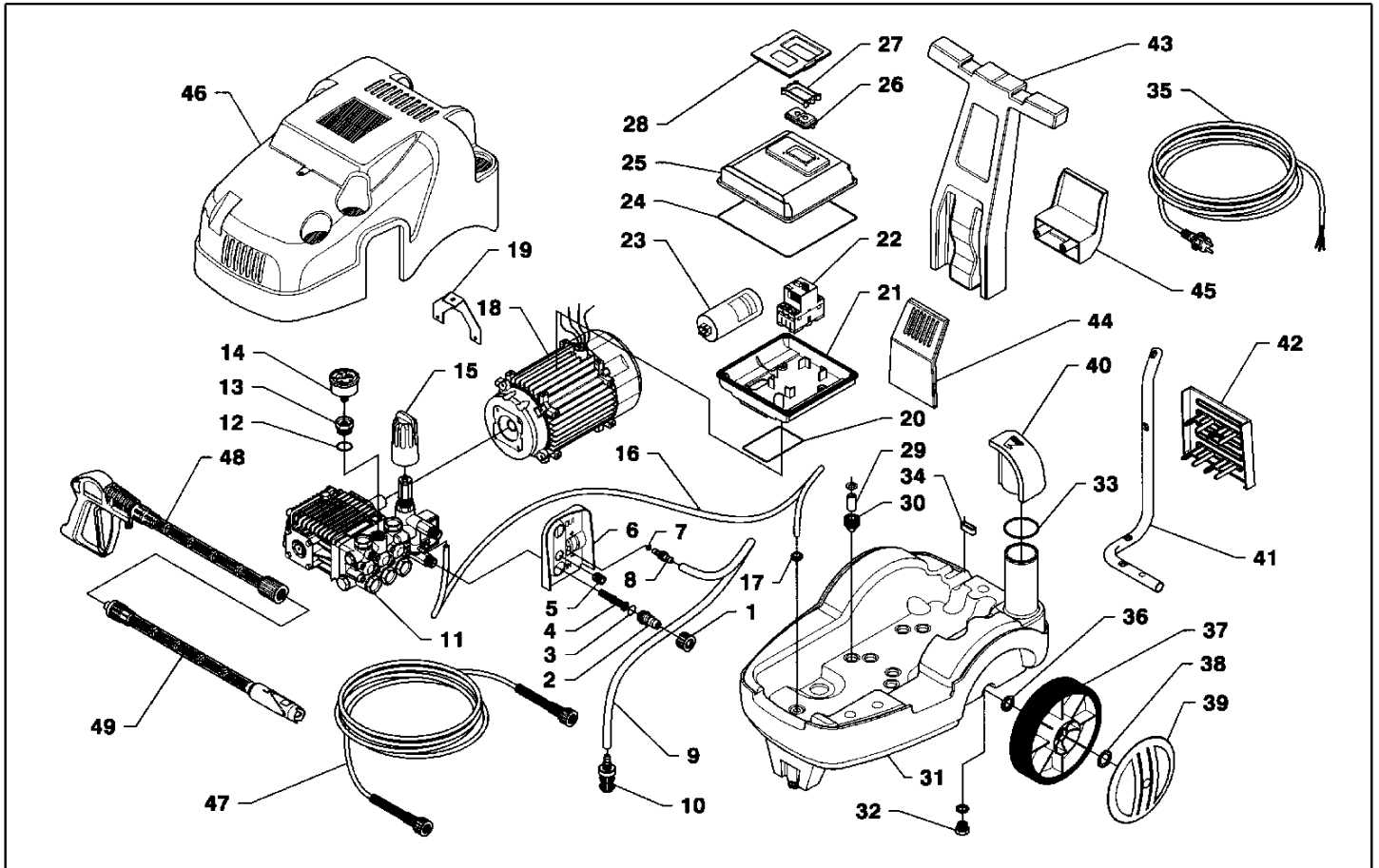
Spare parts list

Ref: IDAF42302

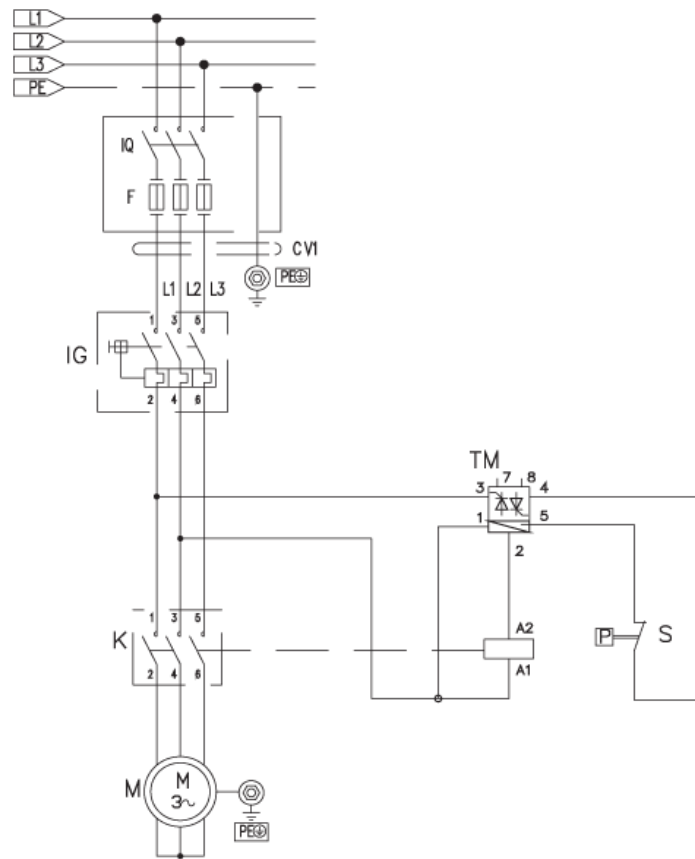
Model: H.P. CLEANER ELT.DSHH2840T 4-415/50 PR



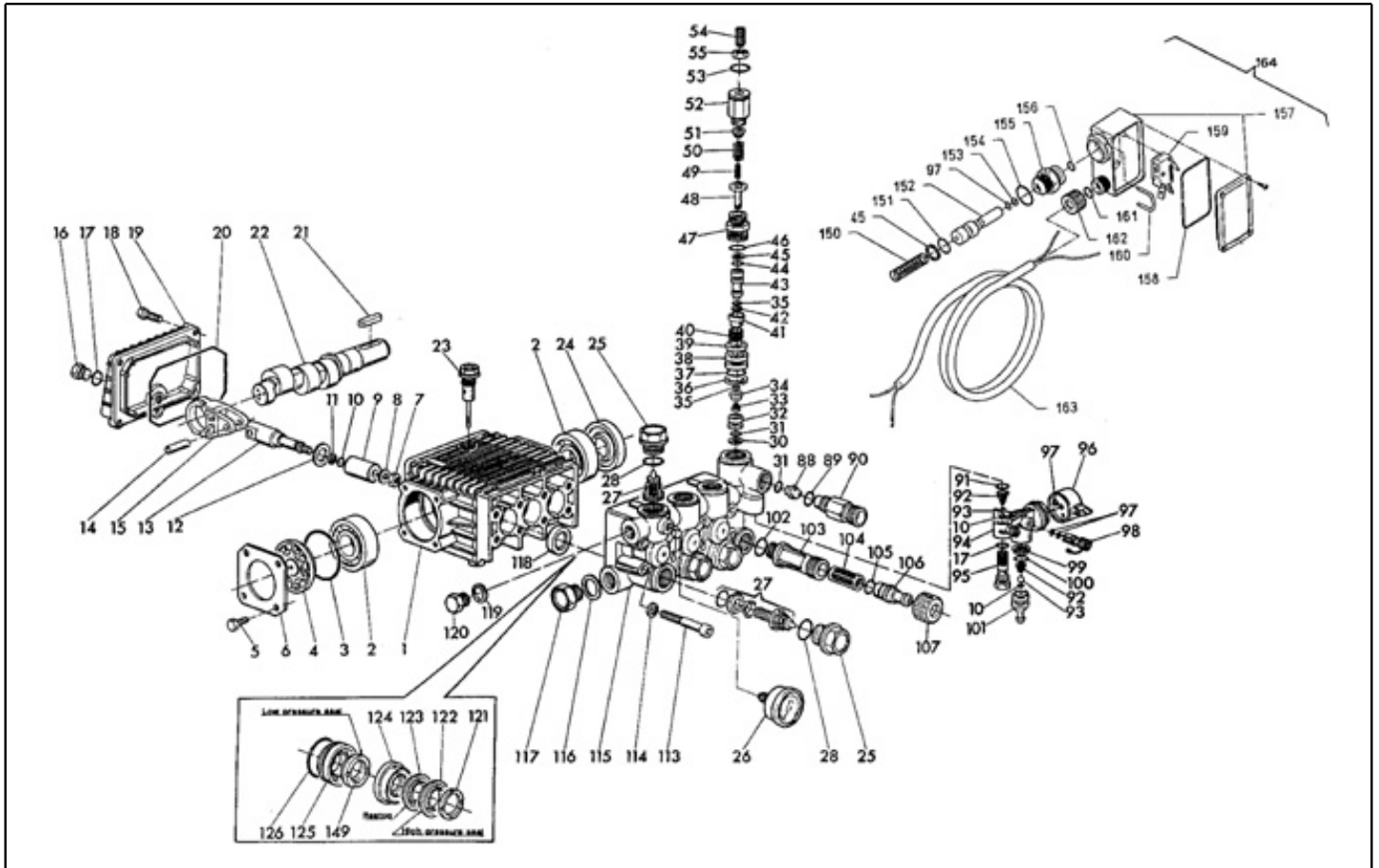
Ref. K	Part n.	Part n. 2	Description	Quantity	Validity		Price
					From	To	
0001	PVVR18733		RING NUT 3/4 COLT	1,00	27/03/2006	--	--
0002	PVVR28339		HOSE FITTING HBX	1,00	27/03/2006	--	--
0003	GUGO03510		O-RING D. 12.37 X 2.62 NBR 70SH	1,00	27/03/2006	--	--
0004	FTAC09717		FILTER D.15X37	1,00		--	--
0005	MPVR28562		KNOB ELT	1,00	01/10/2008	--	--
0006	MPVR28563		SIDE CTRL COVER ELT	1,00	01/10/2008	--	--
0007	GUGO08071		O-RING D. 4.48 X 1.78 NBR 70SH	2,00	27/01/2000	--	--
0008	RCDS14415		HOSE FITTING A.F.	1,00	27/01/2000	--	--
0009	TBBP04917		L.P. HOSE D. 6- 9	1,20	27/01/2000	30/04/2012	--
0009	TBBP93804		L.P. HOSE D. 6- 9	1,20	01/05/2012	--	--
0010	FTDT04648		FILTER PG. D.6 PLS	1,00	27/01/2000	--	--
0011	PPAP42030		PUMP "44" WW186VDX OT.1.8 DS D	1,00		--	--
0012	GUGO19395		O-RING D. 20.24 X 2.62 NBR 70SH	1,00		--	--
0013	RCDS28468		CAP M24X1.5X17 "44" F.1/8	1,00		--	--
0014	MNMN18650		PRESSURE GAUGE 0-300 D.40	1,00		--	--
0015	PVVR28552		KNOB TX	1,00	01/10/2008	--	--
0016	TBBP04917		L.P. HOSE D. 6- 9	1,00		--	--
0017	MPVR28570		GROMMET D.10	1,00	01/10/2008	--	--
0018	MOTR28817		3PH MOTOR ELT HP5.5 400-50 2P H100	1,00		--	--
0019	LAFN42778		BRACKET ELT II	1,00	01/10/2008	--	--
0020	GUGO41291		O-RING D. 104.40 X 3.53 NBR 70SH	1,00	27/03/2006	--	--
0021	MPVR37302		CONTROL BOX DIVA ABS	1,00	27/03/2006	--	--
0024	GUGO11309		JOINT MOUSSE D. 3	0,70	27/03/2006	--	--
0025	MPVR37303		BOX COVER DIVA ABS	1,00	27/03/2006	--	--
0026	MEVR33031		MAMBRANE ELT	1,00	27/03/2006	--	--
0027	MPVR33030		CONTROL COVER ELT	1,00	27/03/2006	--	--
0028	MPVR42859		CONTROL COVER ELT PP BLK	1,00	01/10/2008	--	--
0029	LAFN28565		SPACER ELT	4,00		--	--
0030	MPVR28566		SUPPORT ELT	4,00	01/10/2008	--	--
0031	MPVR28568		CHASSIS ELITE	1,00	01/10/2008	--	--
0032	RCDS01088		CAP 1/4X 9 M WW90	1,00	01/10/2008	--	--
0033	GUGO09674		O-RING D. 48.90 X 2.62 NBR 70SH	1,00	01/10/2008	--	--
0034	MPVR28554		CABLE FASTNER ELT	1,00	01/10/2008	--	--
0035	MECB17416		CABLE H07 RNF 4X2.5 L=5.500	1,00	01/10/2008	--	--
0036	VTRS28560		WASHER D.21 X37 X3	2,00		--	--
0037	RTRT28559		WHEEL D.200-D.20 RT/PRT	2,00	27/03/2006	--	--
0037	RTRT40017		WHEEL D.200-D.20 RT-SPI.200	2,00	01/05/2011	--	--
0038	VTRS28558		WASHER D.20	2,00	01/10/2008	--	--
0039	MPVR28450		RED HUB CAP D. 200 RT/PRT	2,00	01/10/2008	--	--
0040	MPVR27837		RED CAP ELT	1,00	01/10/2008	--	--
0041	LAFN28555		AXLE SUPPORT ELT	1,00	01/10/2008	--	--
0041	LAFN28556		AXLE SUPPORT ELT	1,00	01/10/2008	--	--
0042	MPVR28557		COOLING GRILL ELT	1,00	01/10/2008	--	--
0043	MPVR27278		HANDLE ELITE	1,00	01/10/2008	--	--



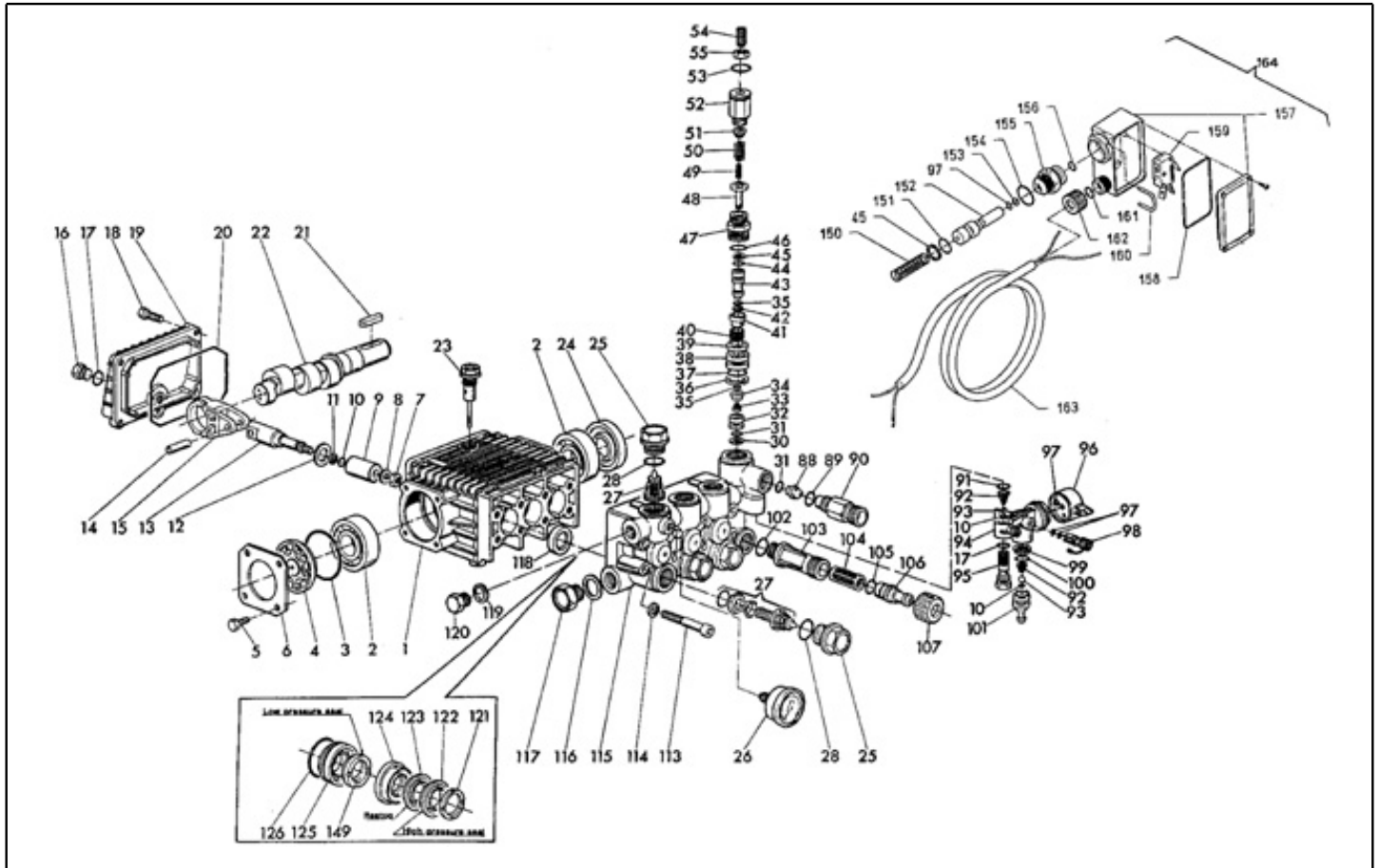
Ref. K	Part n.	Part n. 2	Description	Quantity	Validity		Price
					From	To	
0044	MPVR27836		GRID ELT	1,00	27/03/2006		--
0045	LAFN20105		HOSE SUPPORT KSM	1,00	27/03/2006		--
0046	MPVR27839		RED COVER ELITE	1,00	01/10/2008		--
0047	TBAP28590		H.P. HOSE R1 MT 8 5/16" F/F M22	1,00	27/03/2006	14/03/2007	--
0047	TBAP25324		H.P. HOSE R1 MT 10 5/16" C/2 IRV ZC	1,00	15/03/2007		--
0048	IPPR28589		GRIP P 3 - P 350 - M22 M	1,00			--
0048	IPPR89429		GRIP G 4500 - P.330 -M22SW.M V	1,00	15/03/2007	15/04/2014	--
0048	IPPR40010		GRIP G 5100+P.330 +M22 SW.M V	1,00	16/04/2014	29/02/2016	--
0048	IPPR40020		GRIP G 6000+P.330 +M22 SW.M V	1,00	01/03/2016	14/06/2018	--
0048	IPPR40025		GRIP G 6000+P.330 +M22 SW.M 2V	1,00	15/06/2018		--
0049	LCPR28070		EXTENSION P 350 - M.TIREG 135 BL	1,00			--
0049	LCPR43868		EXTENSION P 470 - I.JET D.1.10 BI	1,00	15/03/2007	31/05/2007	--
0049	LCPR48750		EXTENSION P 470 - I.JET D.1.25 MR	1,00	01/06/2007		--



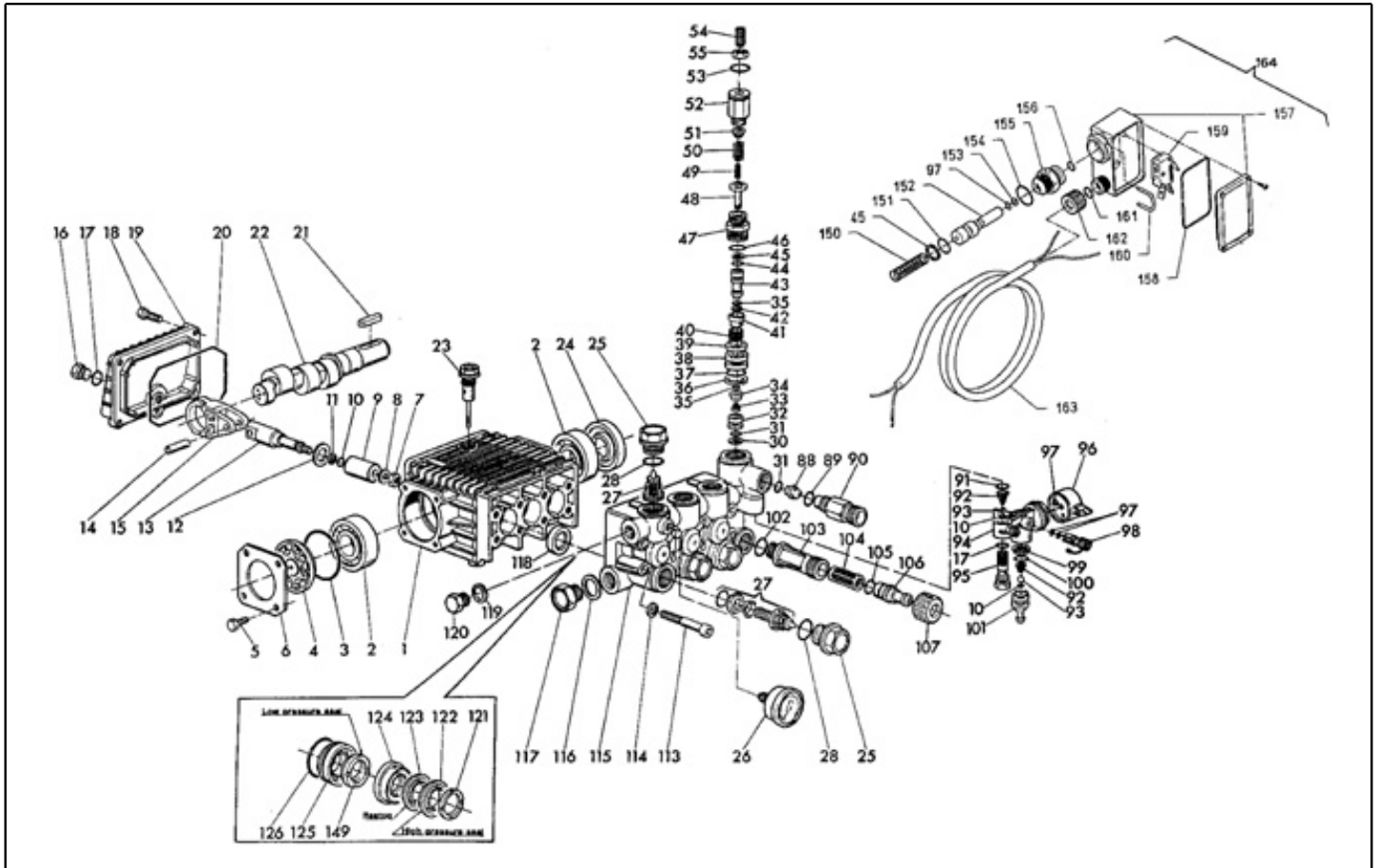
Ref. K	Part n.	Part n. 2	Description	Quantity	Validity		Price
					From	To	
K	METT36444		CONTACTOR MICRO MC1 A 400A TU 400V	1,00	27/03/2006		--
M	MOTR28817		3PH MOTOR ELT HP5.5 400-50 2P H100	1,00			--
P	MEPF38454		PRESSURE SWITCH PRM N.A. 16(6)A XGA 2	1,00	27/03/2006		--
IG	MECI29694		SWITCH ISK MS-MT 25 10-16 A	1,00			--
IG	MECI00264		SWITCH ISK MST 25 10-16 A	1,00	27/03/2006	31/03/2007	--
IG	MECI71645		SWITCH WMX MS 25 10-16 A	1,00	01/04/2007		--
TM	METY37439		TIMER THV/1S 380-415V 30S.5/60	1,00	27/03/2006		--
TM	METY40000		TIMER THV/1 400-5/60 30S.VM	1,00	01/09/2015		--
CV1	MECB17416		CABLE H07 RNF 4X2.5 L=5.500	1,00			--



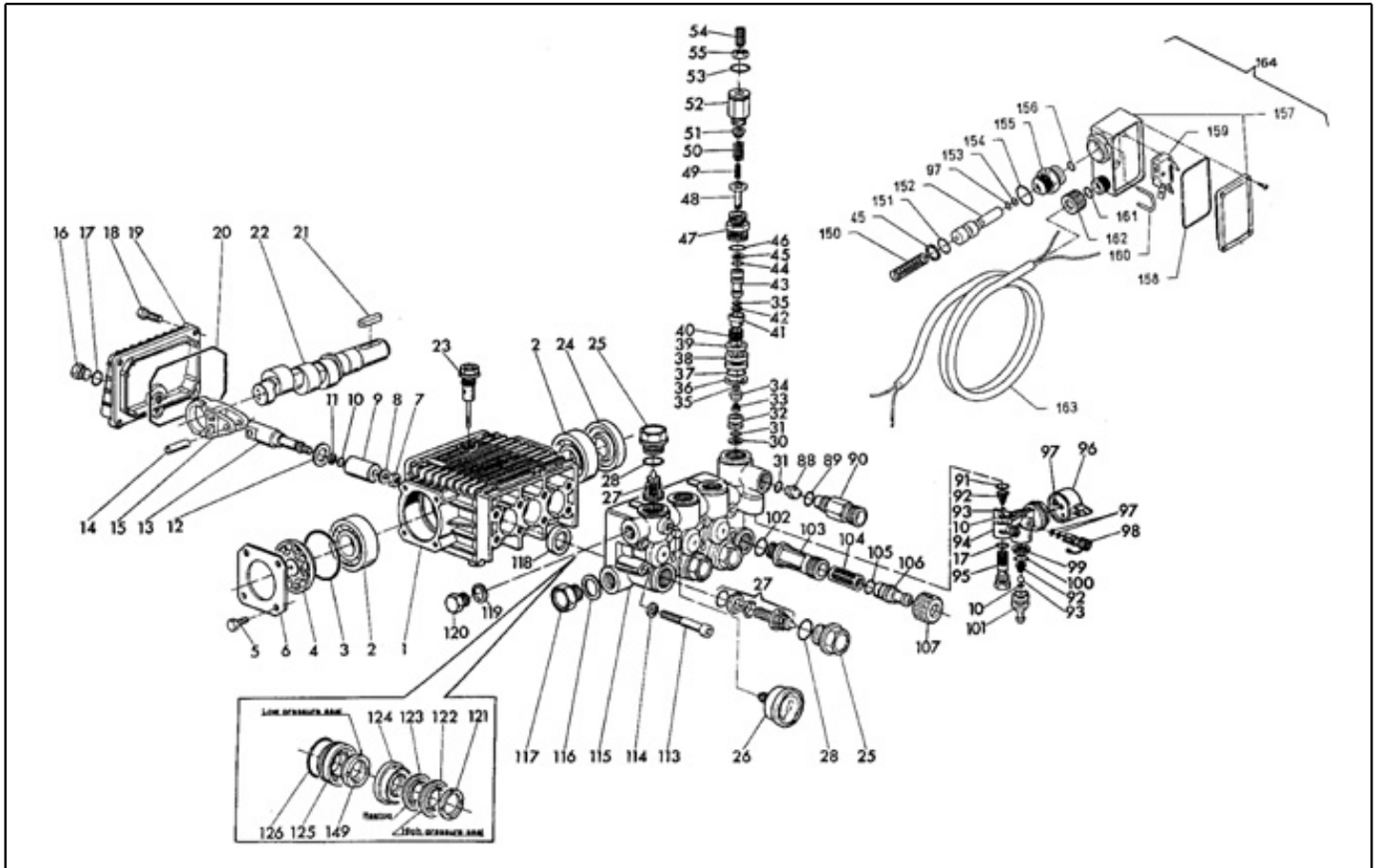
Ref. K	Part n.	Part n. 2	Description	Quantity	Validity		Price
					From	To	
0001	MFVR28453		PUMP CRANKCASE "44"	1,00			--
0002	CUVR09654		BALL BEARING 6305	2,00			--
0003	GUGO01040		O-RING D. 55.56 X 3.53 NBR 70SH	1,00			--
0004	MFVR28454		SPACER "44"	1,00			--
0005	VTVT01109		SCREW TE M 6X 10 ZC. UNI 5739	4,00			--
0006	MFVR03562		CRANKCASE COVER W 70	1,00			--
0007	VTDD04284		NUT M8X1,25 X13X5 S2 INX	3,00			--
0008	VTRS09321		WASHER D. 8X13X1	3,00		29/07/2002	--
0008	VTRS46027		WASHER D. 8 C/CLL.	3,00	30/07/2002		--
0009	PIVR09319		PISTON D.15 TURBO 14.160	3,00			--
0010	S GUGO01055		O-RING D. 5.28 X 1.78 VIT 70SH	5,00			--
0011	GUVR10257		ANTI-EXTR.RING WW161	3,00			--
0012	VTRS28456		WASHER D.16 X28 X1 PVC	3,00			--
0013	PVVR28457		PISTON GUIDE "44"	3,00			--
0014	PVVR28458		GUDGEON D.10X29.5 "44"	3,00			--
0015	BLVR28459		CONNECTING ROD "44"	3,00			--
0016	RCDS01088		CAP 1/4X 9 M WW90	1,00			--
0017	S GUGO01036		O-RING D. 10.82 X 1.78 NBR 70SH	2,00			--
0018	VTVT01114		SCREW TCEI 6X14 UNI 5931	5,00			--
0019	MFVR28460		CRANKCASE COVER "44"	1,00			--
0020	GUGO18695		O-RING D. 101.27 X 2.62 NBR 70SH	2,00			--
0021	VTVR09510		KEY 8X7X35	1,00			--
0022	ALMO28462		SHAFT "44" WW 186	1,00			--
0023	PVVR01089		OIL DIPSTICK W 70	1,00			--
0024	GUGO28465		OIL SEAL 25X 62X10 NBR70	1,00			--
0025	S RCDS28466		CAP M24X1.5X17 "44"	5,00			--
0026	MNMN18650		PRESSURE GAUGE 0-300 D.40	1,00			--
0027	S VVAM28467		VALVE UNIT "44" WW136-186	6,00			--
0028	S GUGO19395		O-RING D. 20.24 X 2.62 NBR 70SH	6,00			--
0030	S GUVR11651		ANTI-EXTR.RING D. 10.6X15X2	1,00			--
0031	S GUGO03501		O-RING D. 9.92 X 2.62 VIT 70SH	2,00			--
0032	S PVVR12887		VALVE SEAT CONTROL SET W1	1,00			--
0033	S VTVT18667		SCREW M 5X0,8X7,5	1,00			--
0034	S PVVR18668		VALVE CLT	1,00			--
0035	S GUGO03497		O-RING D. 6.75 X 1.78 VIT 80SH	2,00			--
0036	S GUVR28469		ANTI-EXTR.RING D.22 X25X1,5	1,00			--
0037	S GUGO08182		O-RING D. 21.91 X 1.78 NBR 70SH	1,00			--
0038	S PVVR28470		VALVE GUIDE "44"	1,00			--
0039	S PVVR28471		VALVE "44"	1,00			--
0040	S MLML28472		SPRING D. 18.5 X11 "44"	1,00			--
0041	S PVVR28473		SPACER "44"	1,00			--
0042	S GUVR04309		ANTI-EXTR.RING HM	1,00			--
0043	S PVVR28474		CONTROL PISTON "44"	1,00			--
0044	S GUGO01946		O-RING D. 9.13 X 2.62 VIT 70SH	1,00			--



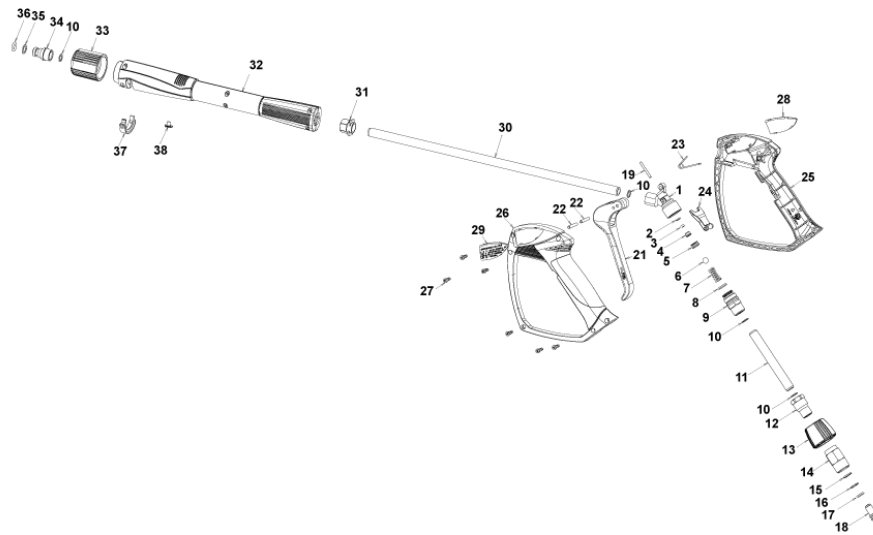
Ref. K	Part n.	Part n. 2	Description	Quantity	Validity		Price
					From	To	
0045	S	GUVR01940	ANTI-EXTR.RING D. 9,5X14X1,5	2,00			--
0046		GUGO01037	O-RING D. 23.81 X 2.62 NBR 70SH	1,00			--
0047		PVVR28475	BUSHING "44"	1,00			--
0048		PVVR28476	SPRING PLATE "44" INF.	1,00			--
0049		MLML28477	SPRING D. 7.6 X29 "44"	1,00			--
0050		MLML11655	SPRING D.15X35	1,00			--
0051		PVVR11656	SPRING PLATE W1	1,00			--
0052		PVVR18672	REGISTER COLT	1,00			--
0053		GUGO01057	O-RING D. 20.35 X 1.78 NBR 70SH	1,00			--
0054		VTVT20196	SCREW EI-ST 8X20 UNI5923	1,00			--
0055		VTDD09708	NUT M 8 UNI 5589	1,00			--
0088		UGEI09723	NOZZLE D. 1,8 KR OT58	1,00			--
0089	S	GUGO03507	O-RING D. 13.95 X 2.62 VIT 70SH	1,00			--
0090		RCDS09721	NIPPLE M22-3/8 D. 3 KR	1,00			--
0091	S	GUGO03496	O-RING D. 9.25 X 1.78 NBR 70SH	1,00			--
0092	S	MLML04264	SPRING D. 4.3X11X7.3 KR	2,00			--
0093	S	SFVR04274	BALL D. 7/32	2,00			--
0094		PVVR28494	METERING. BODY "44"	1,00			--
0095		PVVR09709	VALVE SEAT KR	1,00			--
0096		PVVR28495	KNOB "44"	1,00			--
0097	S	GUGO08071	O-RING D. 4.48 X 1.78 NBR 70SH	4,00			--
0098		PVVR28496	CAP D. 8 "44"	1,00			--
0099		FTDT28497	FILTER "44"	1,00			--
0100		GUGO15198	O-RING D. 13.10 X 2.62 NBR 70SH	1,00			--
0101		PVVR28498	HOSE FITTING "44"	1,00			--
0102		GUGO01032	O-RING D. 17.13 X 2.62 NBR 70SH	1,00			--
0103		RCDS18714	NIPPLE G 3/4 CLT	1,00			--
0104		FTAC09717	FILTER D.15X37	1,00			--
0105		GUGO03510	O-RING D. 12.37 X 2.62 NBR 70SH	1,00			--
0106		PVVR28339	HOSE FITTING HBX	1,00			--
0107		PVVR18733	RING NUT 3/4 COLT	1,00			--
0113		VTVT01121	SCREW TCEI 8X60 UNI5931	8,00			--
0114		VTRS01072	WASHER D. 8 TC	12,00			--
0115		MFVR39918	HEAD "44" WW D.15 V.I.TS	1,00			--
0116		VTRS01075	WASHER D.21,5X27 ALL	1,00			--
0117		RCDS01091	CAP 1/2X10 M	1,00			--
0118	S	GUGO01001	OIL SEAL 20X 30X 5 NBR70	3,00			--
0119		VTRS01074	WASHER D.17,05X22,3 X1,5	1,00			--
0120		RCDS01090	CAP 3/8X13 M WW90	1,00			--
0121	S	PVVR09327	HEAD RING D. 15	3,00			--
0122	S	GUVR09324	PACKING D. 15 TURBO	3,00			--
0123	S	GUVR15117	PACKING D. 15 RESTOP	3,00			--
0124	S	PVVR09326	INTERMED. RING D. 15 TURBO	3,00			--
0125	S	PVVR28505	PACKING RETAIN. D. 15 "44"	3,00			--



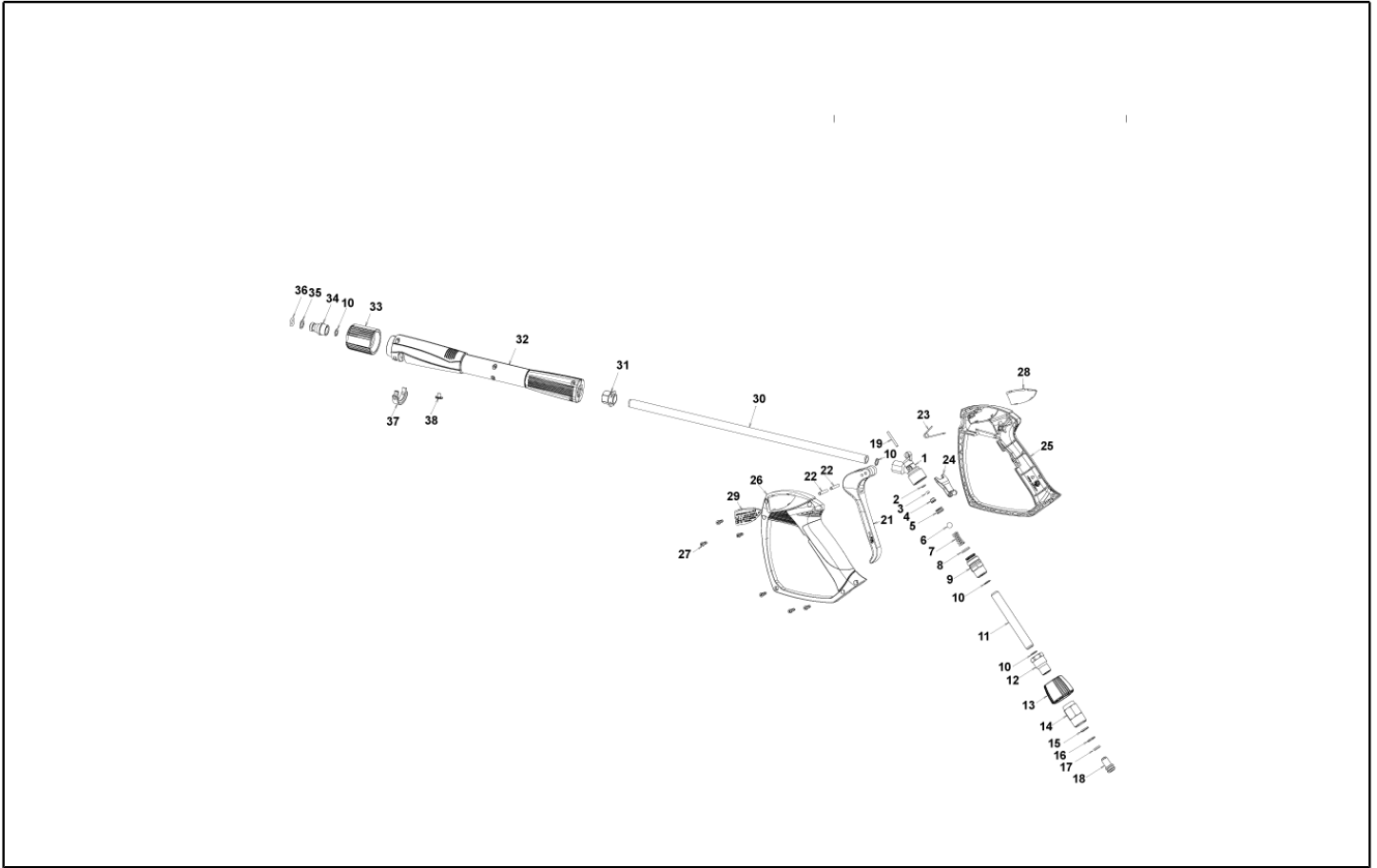
Ref. K	Part n.	Part n. 2	Description	Quantity	Validity		Price
					From	To	
0126	S	GUGO01039	O-RING D. 31.47 X 1.78 NBR 70SH	3,00			--
0149	S	GUVR34582	PACKING D. 15 L.P.	3,00			--
0150	S	MLML39786	SPRING D. 7.5 X 37.5 INX	1,00			--
0151	S	GUGO28927	O-RING D. 9.13 X 2.62 NBR 70SH	1,00			--
0152	S	PVVR39690	CONTROL PISTON T-STOP "44" OT	1,00			--
0153	S	GUVR37627	ANTI-EXTR.RING D. 5.2X 8 X1.5	1,00			--
0154	S	GUGO09720	O-RING D. 14 X 1.78 NBR 70SH	1,00			--
0155	S	PVVR37626	PISTON GUIDE T-STOP PRM OT	1,00			--
0156	S	GUGO06988	O-RING D. 7.66 X 1.78 NBR 70SH	1,00			--
0157	S	MPVR37623	SHELL T-STOP PRM PA	1,00			--
0158	S	GUGO01046	O-RING D. 45.69 X 2.62 NBR 70SH	1,00			--
0159	S	MECI37646	MICROSWITCH XGA2-88 16(6)A	1,00			--
0160	S	LAFN37625	PLUG "U" T-STOP PRM INX	1,00			--
0161	S	GUGO06824	O-RING D. 6 X 3 NBR 70SH	1,00			--
0162	S	MEVR27423	RING NUT MTH	1,00			--
0163	S	MECB38023	CABLE N.186 2X1 SG L=750	1,00			--
0164	S	MEPF38454	PRESSURE SWITCH PRM N.A. 16(6)A XGA 2	1,00			--



Ref. Part n.	Part n. 2	Description	Reference	Price
KTRI18656		KIT P 15- 94	0010 0017 0031 0089 0091 0092 0093	--
KTRI18585		KIT P 23	0118	--
KTRI21658		KIT P 88	0122 0123 0149	--
KTRI21659		KIT P 89	0124	--
KTRI21660		KIT P 90	0121	--
KTRI28508		KIT P 15-123	0027	--
KTRI28510		KIT P 15-124	0025 0028	--
KTRI28512		KIT P 15-125	0125 0126	--
KTRI28522		KIT P 130	0121 0122 0123 0124 0125 0126 0149	--
KTRI28526		KIT P 137	0030 0031 0032 0033 0034 0035 0036 0037 0038 0039 0040 0041 0042 0043 0044 0045	--
KTRI40084		KIT P 15-144 C.PIST. TST "44"	0045 0097 0150 0151 0152 0153 0154 0155 0156	--



Ref. K	Part n.	Part n. 2	Description	Quantity	Validity		Price
					From	To	
0001	PVVR40381		GUN BODY G 5100 G1/4F	1,00			--
0002	S	GUVR40074	ANTI-EXTR.RING D. 3 X 7.4X1.3	1,00			--
0003	S	GUGO21835	O-RING D. 2.84 X 2.62 VIT. 80SH	1,00			--
0004	PVVR40382		PISTON GUIDE G 5100	1,00			--
0005	S	PVVR40112	BALL SEAT G 5000	1,00			--
0006	S	SFVR27026	BALL D.11/32" INX	1,00			--
0007		MLML40016	SPRING D. 9.4 x21.5x1.6 G5000	1,00			--
0008		GUGO12322	O-RING D. 14 X 1.78 NBR 90SH	1,00			--
0009		PVVR40383	CONNECTOR COLL.G5100 1/4F	1,00			--
0010		VTRS40017	WASHER D. 8.2X11,4X1.00	4,00			--
0011		PVVR40384	TUBE G 1/4" L.105	1,00			--
0012		RCIN40022	CONNECTOR SWIV G5100 1/4F	1,00			--
0013		MPVR40486	RING NUT G 5100 SW. GR.	1,00			--
0014		RCIN40021	JOINT SWIV 5100 M22	1,00			--
0015	S	GUVR40075	ANTI-EXTR.RING D. 10 X14X1.5	1,00			--
0016	S	GUVR40076	ANTI-EXTR.RING D. 11.2X14X1.2	1,00			--
0017	S	GUGO15295	O-RING D. 10.82 X 1.78 VIT 75SH	1,00			--
0018		PVVR40386	SCREW SW. G 5100	1,00			--
0019		PVVR40387	SMALL PISTON G 5100	1,00			--
0021		MPVR40487	TRIGGER G 5100-SW	1,00			--
0022		VTVR40047	PLUG D. 4X29	2,00			--
0023		MLML40029	SPRING G 5100	1,00			--
0024		MPVR40488	SAFETY-DEVICE G 5100-SW	1,00			--
0025		MPVR40489	SHELL G 5100-SW DX	1,00			--
0026		MPVR40490	SHELL G 5100-SW SX	1,00			--
0027		VTVT40043	SCREW AF 4X 14 HILO ZN.N	6,00			--
0028		MPVR40491	PLATE G 5100 GR.DX	1,00			--
0029		MPVR40492	PLATE G 5100 GR.SX	1,00			--
0030		LCPR40086	TUBE 1/4 L=420 ZC. 0°	1,00			--
0031		MPVR40493	CONNECTOR G 5100-SW	1,00			--
0032		MPVR40494	PROTECTION P 420 C/AN.	1,00			--
0033		PVVR40119	CONNECTION M22X1.5 IRV G5000	1,00			--
0034		RCIN40009	GUDGEON G 1/4 F IRV G5000	1,00			--
0035		GUVR40034	ANTI-EXTR.RING D. 10 X14	1,00			--
0036		GUGO01946	O-RING D. 9.13 X 2.62 VIT 70SH	1,00			--
0037		MPVR40495	CAP G 5100 REM.	1,00			--
0038		MPVR40198	CAP G 5000	1,00			--



Ref. Part n.	Part n. 2	Description	Reference	Price
KTRI40242		KIT P 26- 25 G 5100	0002 0003 0005 0006	--
KTRI40243		KIT P 26- 26 SWIVEL G 5100	0015 0016 0017	--



Ref. K	Part n.	Part n. 2	Description	Quantity	Validity		Price
					From	To	
0001	PVVR40381		GUN BODY G 5100 G1/4F	1,00			--
0002	S	GUVR40074	ANTI-EXTR.RING D. 3 X 7.4X1.3	1,00			--
0003	S	GUGO21835	O-RING D. 2.84 X 2.62 VIT. 80SH	1,00			--
0004		PVVR40382	PISTON GUIDE G 5100	1,00			--
0005	S	PVVR40112	BALL SEAT G 5000	1,00			--
0006	S	SFVR40002	BALL D.11/32" ALL GR16	1,00			--
0007		MLML40016	SPRING D. 9.4 x21.5x1.6 G5000	1,00			--
0008		GUGO12322	O-RING D. 14 X 1.78 NBR 90SH	1,00			--
0009		PVVR40383	CONNECTOR COLL.G5100 1/4F	1,00			--
0010		VTRS40017	WASHER D. 8.2X11,4X1.00	4,00			--
0011		PVVR40384	TUBE G 1/4" L.105	1,00			--
0012		RCIN40022	CONNECTOR SWIV G5100 1/4F	1,00			--
0013		MPVR40819	RING NUT G 5100 SW. BK.	1,00			--
0014		RCIN40021	JOINT SWIV 5100 M22	1,00			--
0015	S	GUVR40075	ANTI-EXTR.RING D. 10 X14X1.5	1,00			--
0016	S	GUVR40076	ANTI-EXTR.RING D. 11.2X14X1.2	1,00			--
0017	S	GUGO15295	O-RING D. 10.82 X 1.78 VIT 75SH	1,00			--
0018		PVVR40386	SCREW SW. G 5100	1,00			--
0019		VTVR40047	PLUG D. 4X29	2,00			--
0020		MPVR40820	TRIGGER G 6000-SW	1,00			--
0021		MPVR40821	SAFETY-DEVICE G 6000-SW	1,00			--
0022		MPVR40822	SHELL G 6000-SW DX	1,00			--
0023		MPVR40823	PLATE G 6000 GR.DX	1,00			--
0024		PVVR40387	SMALL PISTON G 5100	1,00			--
0025		MLML40029	SPRING G 5100	1,00			--
0026		MPVR40824	SHELL G 6000-SW SX	1,00			--
0027		MPVR40825	PLATE G 6000 GR.SX	1,00			--
0028		VTVT40043	SCREW AF 4X 14 HILO ZN.N	12,00			--
0029		LCPR40086	TUBE 1/4 L=420 ZC. 0°	1,00			--
0030		MPVR40493	CONNECTOR G 5100-SW	1,00			--
0031		MPVR40494	PROTECTION P 420 C/AN.	1,00			--
0035		MPVR40198	CAP G 5000	1,00			--
0036		MPVR40495	CAP G 5100 REM.	1,00			--
0037		PVVR40119	CONNECTION M22X1,5 IRV G5000	1,00			--
0038		RCIN40009	GUDGEON G 1/4 F IRV G5000	1,00			--
0039		GUVR40034	ANTI-EXTR.RING D. 10 X14	1,00			--
0040		GUGO01946	O-RING D. 9.13 X 2.62 VIT 70SH	1,00			--



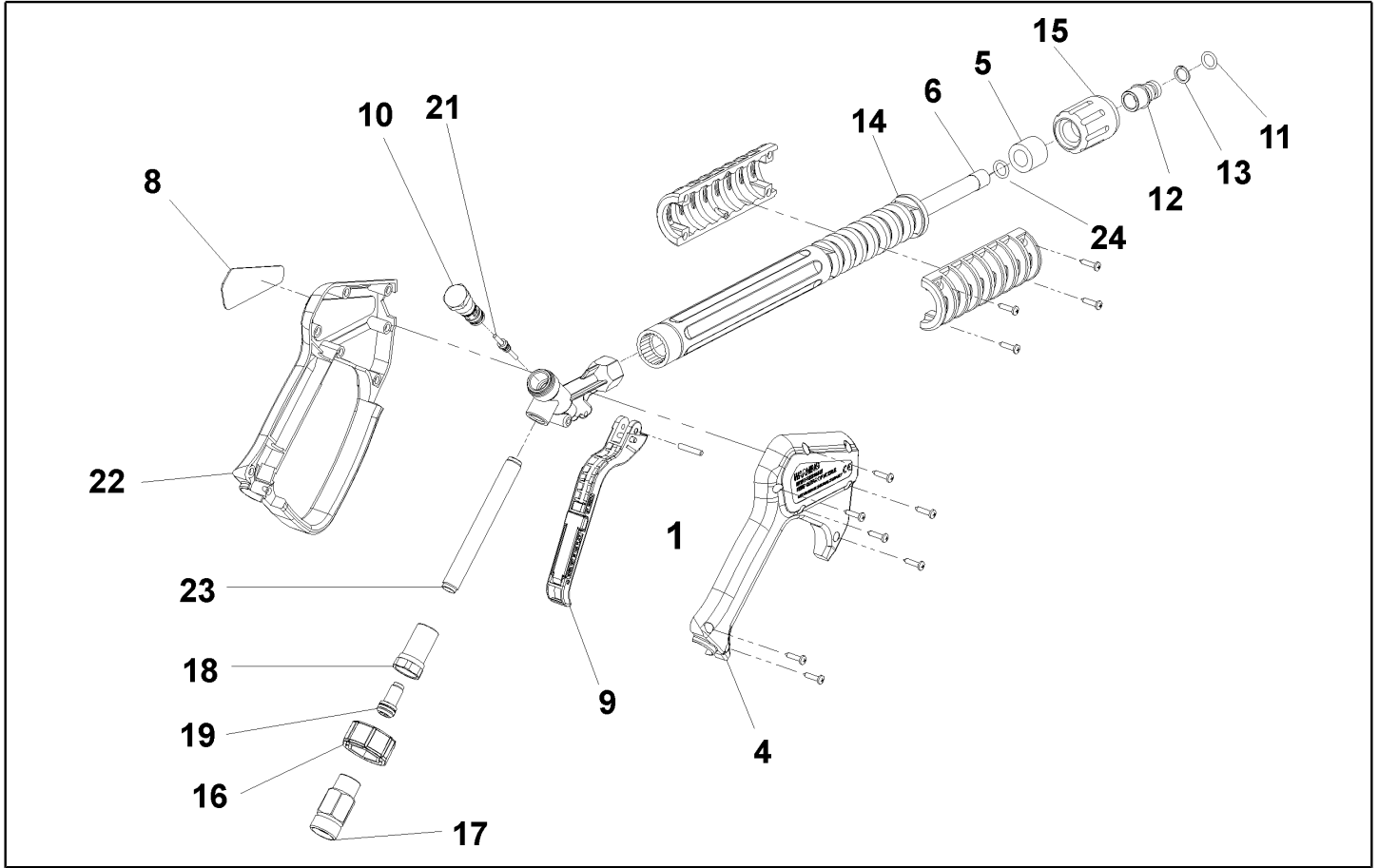
Ref. Part n.	Part n. 2	Description	Reference	Price
KTRI40243		KIT P 26- 26 SWIVEL G 5100	0015 0016 0017	--
KTRI40414		KIT P 26- 34 G 6000	0002 0003 0005 0006	--



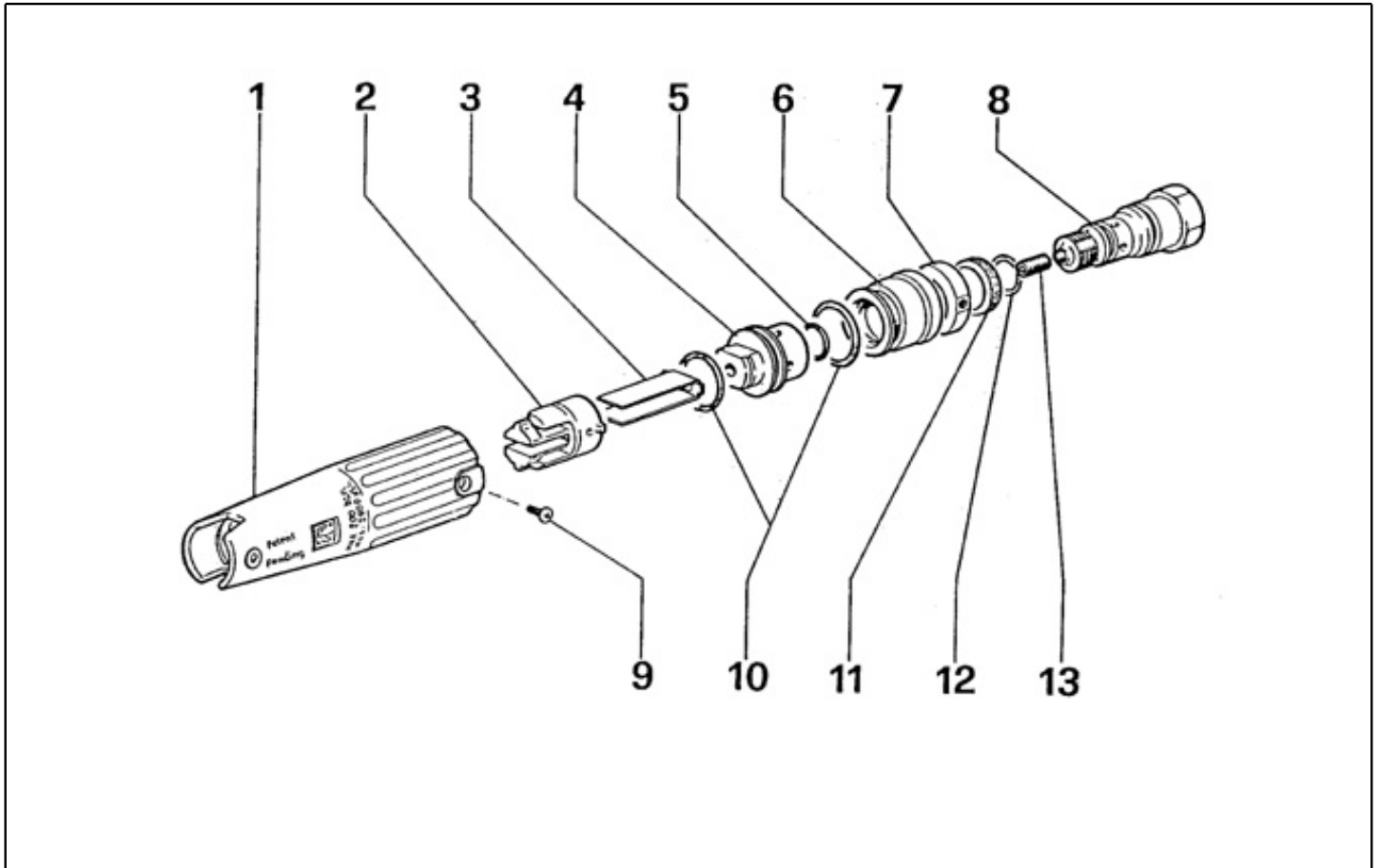
Ref. K	Part n.	Part n. 2	Description	Quantity	Validity		Price
					From	To	
0001	PVVR40381		GUN BODY G 5100 G1/4F	1,00			--
0002	S	GUVR40074	ANTI-EXTR.RING D. 3 X 7.4X1.3	1,00			--
0003	S	GUGO21835	O-RING D. 2.84 X 2.62 VIT. 80SH	1,00			--
0004		PVVR40382	PISTON GUIDE G 5100	1,00			--
0005	S	PVVR40563	BALL SEAT AL36 G6000 + OR	1,00			--
0006	S	SFVR40004	BALL D. 5/16" ALL.GR16	1,00			--
0007		MLML40047	SPRING D. 9.4 x23.5x1.6 G6000	1,00			--
0008		GUGO12322	O-RING D. 14 X 1.78 NBR 90SH	1,00			--
0009		PVVR40383	CONNECTOR COLL.G5100 1/4F	1,00			--
0010		VTRS40017	WASHER D. 8.2X11,4X1.00	4,00			--
0011		PVVR40384	TUBE G 1/4" L.105	1,00			--
0012		RCIN40022	CONNECTOR SWIV G5100 1/4F	1,00			--
0013		MPVR40967	RING NUT G 6000 SW. GR.	1,00			--
0014		RCIN40021	JOINT SWIV 5100 M22	1,00			--
0015	S	GUVR40075	ANTI-EXTR.RING D. 10 X14X1.5	1,00			--
0016	S	GUVR40076	ANTI-EXTR.RING D. 11.2X14X1.2	1,00			--
0017	S	GUGO15295	O-RING D. 10.82 X 1.78 VIT 75SH	1,00			--
0018		PVVR40386	SCREW SW. G 5100	1,00			--
0019		VTVR40047	PLUG D. 4X29	2,00			--
0020		MPVR40820	TRIGGER G 6000-SW	1,00			--
0021		MPVR40821	SAFETY-DEVICE G 6000-SW	1,00			--
0022		MPVR40822	SHELL G 6000-SW DX	1,00			--
0023		MPVR40968	PLATE G 6000/2 GR.DX	1,00			--
0024		PVVR40564	SMALL PISTON G 6000 AL36 SP.	1,00			--
0025		MLML40029	SPRING G 5100	1,00			--
0026		MPVR40824	SHELL G 6000-SW SX	1,00			--
0027		MPVR40825	PLATE G 6000 GR.SX	1,00			--
0028		VTVT40043	SCREW AF 4X 14 HILO ZN.N	12,00			--
0029		LCPR40181	TUBE 1/4 L=416 ZC. 0°	1,00			--
0030		MPVR40493	CONNECTOR G 5100-SW	1,00			--
0031		MPVR40494	PROTECTION P 420 C/AN.	1,00			--
0035		MPVR40198	CAP G 5000	1,00			--
0036		MPVR40495	CAP G 5100 REM.	1,00			--
0037		PVVR40119	CONNECTION M22X1,5 IRV G5000	1,00			--
0038		RCIN40048	GUDGEON G 1/4 F IRV G6000/2	1,00			--
0039		GUVR40034	ANTI-EXTR.RING D. 10 X14	1,00			--
0040		GUGO63555	O-RING D. 9.3 X 2,4 VIT 75SH	1,00			--



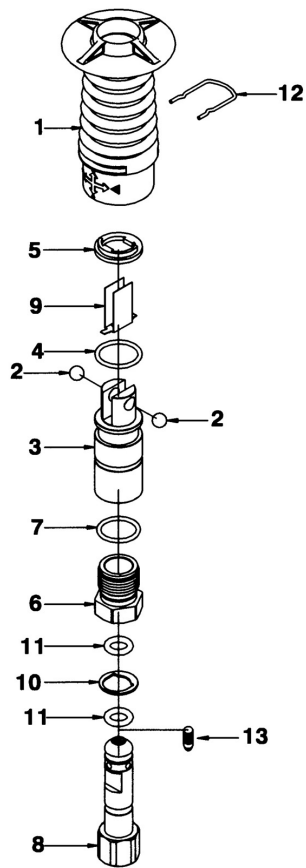
Ref. Part n.	Part n. 2	Description	Reference	Price
KTRI40243		KIT P 26- 26 SWIVEL G 5100	0015 0016 0017	--
KTRI40513		KIT P 26- 36 G 6000/II	0002 0003 0005 0006	--



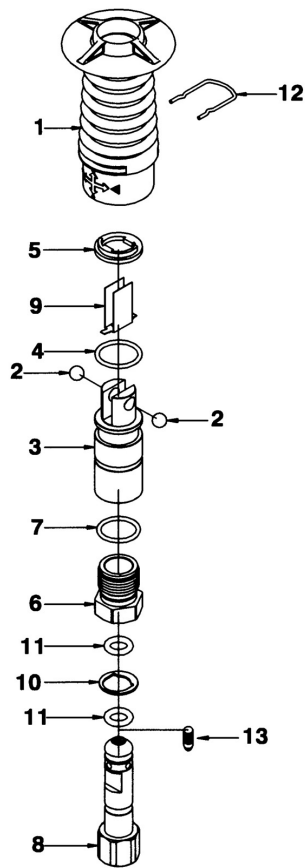
Ref. K	Part n.	Part n. 2	Description	Quantity	Validity		Price
					From	To	
0001	VTVR46568		PLUG G 4500	1,00			--
0004	MPVR46563		COVER G 4500	1,00		30/04/2008	--
0004	MPVR40157		COVER G 4500 2V.	1,00	01/05/2008		--
0005	MPVR46572		SPACER P 330 ST	1,00			--
0006	LCPR46571		TUBE 1/4 L=352 ZC.	1,00		30/04/2008	--
0006	LCPR40007		TUBE 1/4 L=352 ZC. 2V.	1,00	01/05/2008		--
0008	MPVR46569		PLATE G 4500 RD.	1,00			--
0009	MPVR40057		TRIGGER G 4500 -SW	1,00			--
0010	PVVR40030		SMALL PISTON TM ST-2300	1,00			--
0011	GUGO10384		O-RING D. 10 X 2.2 VIT 80SH	1,00			--
0012	RCVR13030		GUDGEON G 1/4 F L=31.5	1,00			--
0013	GUVR10526		ANTI-EXTR.RING D.13.9X10.2 C.BZ	1,00			--
0014	MPVR46570		PROTECTION P 330 ST	1,00			--
0015	PVVR13445		CONNECTION M 22X1,5 L=45	1,00			--
0016	MPVR40058		RING NUT G4500 SW.	1,00			--
0017	RCIN40001		JOINT SWIV 4500 3/8"F	1,00		30/04/2008	--
0017	RCIN40005		JOINT SWIV 4500 3/8"F 2V.	1,00	01/05/2008		--
0018	RCIN31641		CONNECTOR SWIV 1500 F	1,00			--
0019	KTRI31645		KIT P 26- 14	1,00			--
0021	PVVR40031		ROD ST-2300	1,00			--
0022	MPVR46562		SHELL G 4500	1,00		30/04/2008	--
0022	MPVR40156		SHELL G 4500 2V.	1,00	01/05/2008		--
0023	PVVR40023		TUBE G 1/4" M/M P/SW.	1,00			--
0024	GUGO27021		O-RING D. 11 X 2.5 EPD 70SH	1,00	01/05/2008		--



Ref. K	Part n.	Part n. 2	Description	Quantity	Validity		Price
					From	To	
0001	PVVR31505		KNOB MRG 99	1,00			--
0002	PVVR09746		PLIERS MRG	1,00			--
0003	PVVR09747		GUIDE BLADE MRG	1,00			--
0004	LCTE31506		HEAD MRG 99	1,00			--
0005	GUGO28927		O-RING D. 9.13 X 2.62 NBR 70SH	1,00			--
0006	PVVR31507		DISTRIBUTOR MRG 99	1,00			--
0007	PVVR29578		CIRCLIP MRG 99	1,00			--
0008	RCDS31508		NIPPLE MRG 99	1,00			--
0009	VTVT31509		SCREW M 3X 4 TCB-TC UNI7687	1,00			--
0010	GUGO01056		O-RING D. 18.72 X 2.62 NBR 70SH	2,00			--
0011	GUVR29577		PACKING D.18 MRG 99	1,00			--
0012	GUGO01047		O-RING D. 11.91 X 2.62 NBR 70SH	1,00			--
0013	UGLN17027		NOZZLE CD.135 BL	1,00			--



Ref. K	Part n.	Part n. 2	Description	Quantity	Validity		Price
					From	To	
0001	MPVR45059		CAP I.JET	1,00			--
0002	SFVR45060		BALL D. 1/4" AISI 420	2,00			--
0003	PVVR45061		BODY I.JET	1,00			--
0004	GUGO01058		O-RING D. 17.17 X 1.78 NBR 70SH	1,00			--
0005	PVVR45062		CIRCLIP I.JET	1,00			--
0006	PVVR45063		NUT I.JET	1,00			--
0007	GUGO03505		O-RING D. 15.6 X 1.78 NBR 70SH	1,00			--
0008	PVVR45064		PIN I.JET 1/4F	1,00			--
0009	PVVR45065		GUIDE BLADE I.JET	1,00			--
0010	PVVR45066		RING I.JET	1,00			--
0011	GUGO31501		O-RING D. 7.60 X 2.62 VIT 70SH	2,00			--
0012	LAFN45067		PLUG "U" I.JET	1,00			--
0013	UGLN44393		NOZZLE M4 Fp 035 Inx	1,00			--



Ref. K	Part n.	Part n. 2	Description	Quantity	Validity		Price
					From	To	
0001	MPVR45059		CAP I.JET	1,00			--
0002	SFVR45060		BALL D. 1/4" AISI 420	2,00			--
0003	PVVR45061		BODY I.JET	1,00			--
0004	GUGO01058		O-RING D. 17.17 X 1.78 NBR 70SH	1,00			--
0005	PVVR45062		CIRCLIP I.JET	1,00			--
0006	PVVR45063		NUT I.JET	1,00			--
0007	GUGO03505		O-RING D. 15.6 X 1.78 NBR 70SH	1,00			--
0008	PVVR45064		PIN I.JET 1/4F	1,00			--
0009	PVVR45065		GUIDE BLADE I.JET	1,00			--
0010	PVVR45066		RING I.JET	1,00			--
0011	GUGO31501		O-RING D. 7.60 X 2.62 VIT 70SH	2,00			--
0012	LAFN45067		PLUG "U" I.JET	1,00			--
0013	UGLN44396		NOZZLE M4 Fp 043 Inx	1,00			--