

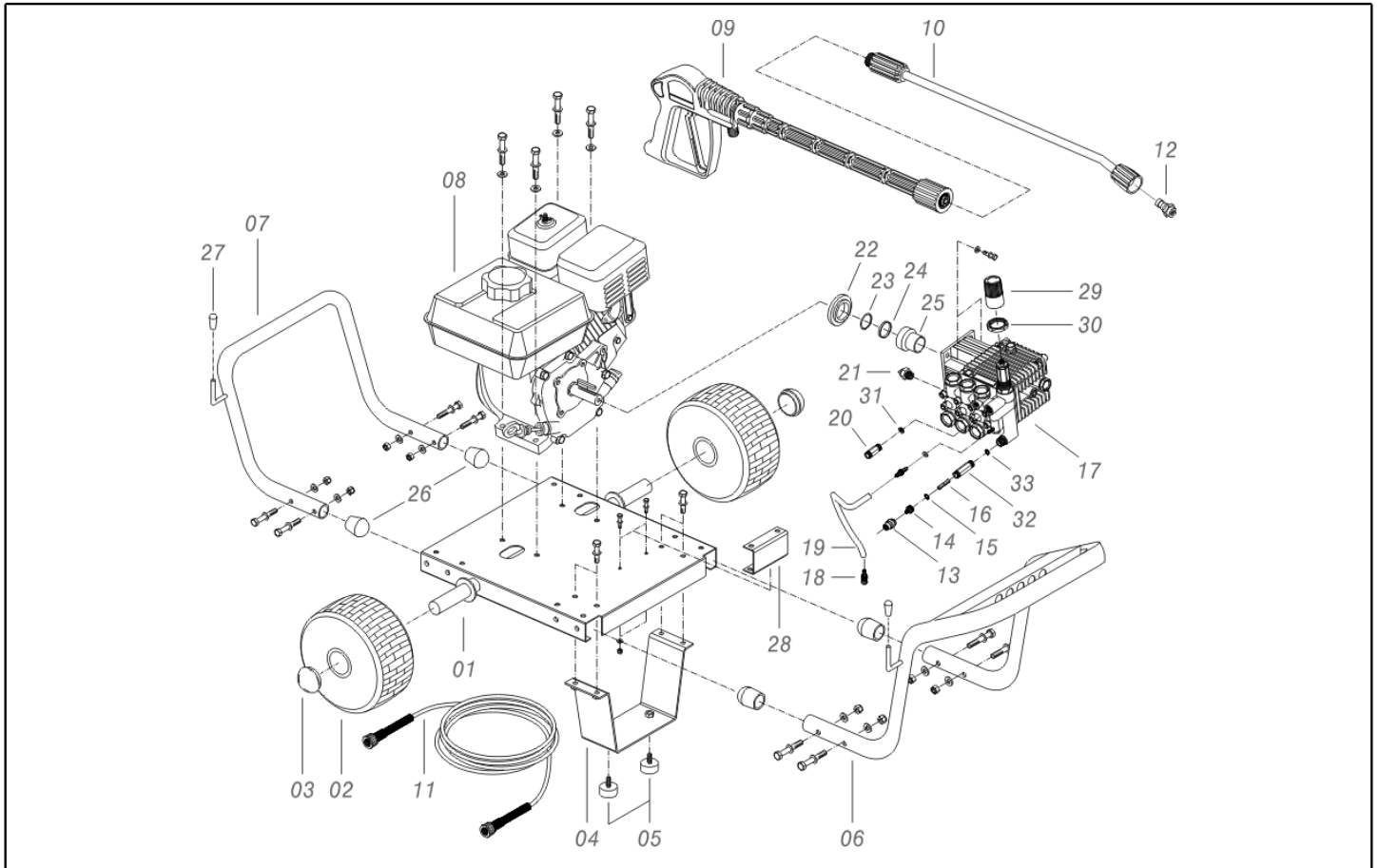


IPC

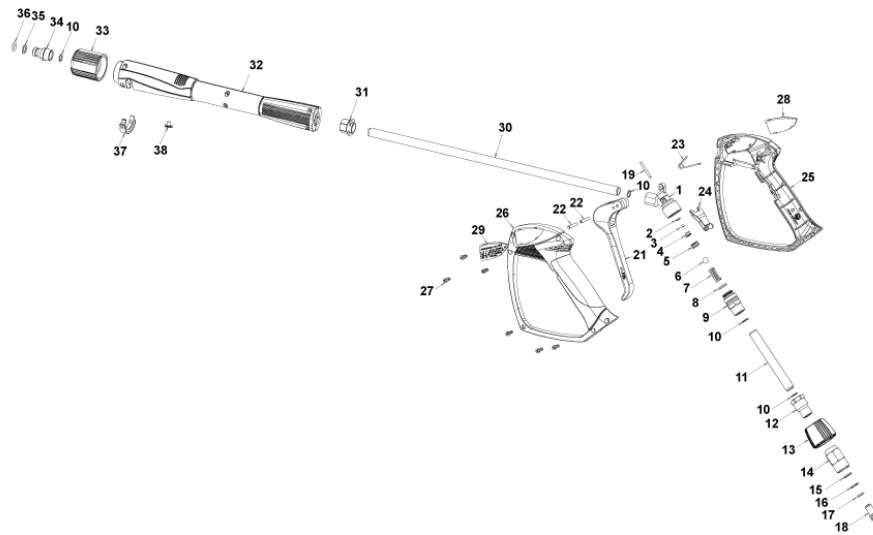
Spare parts list

Ref: IDAF40352

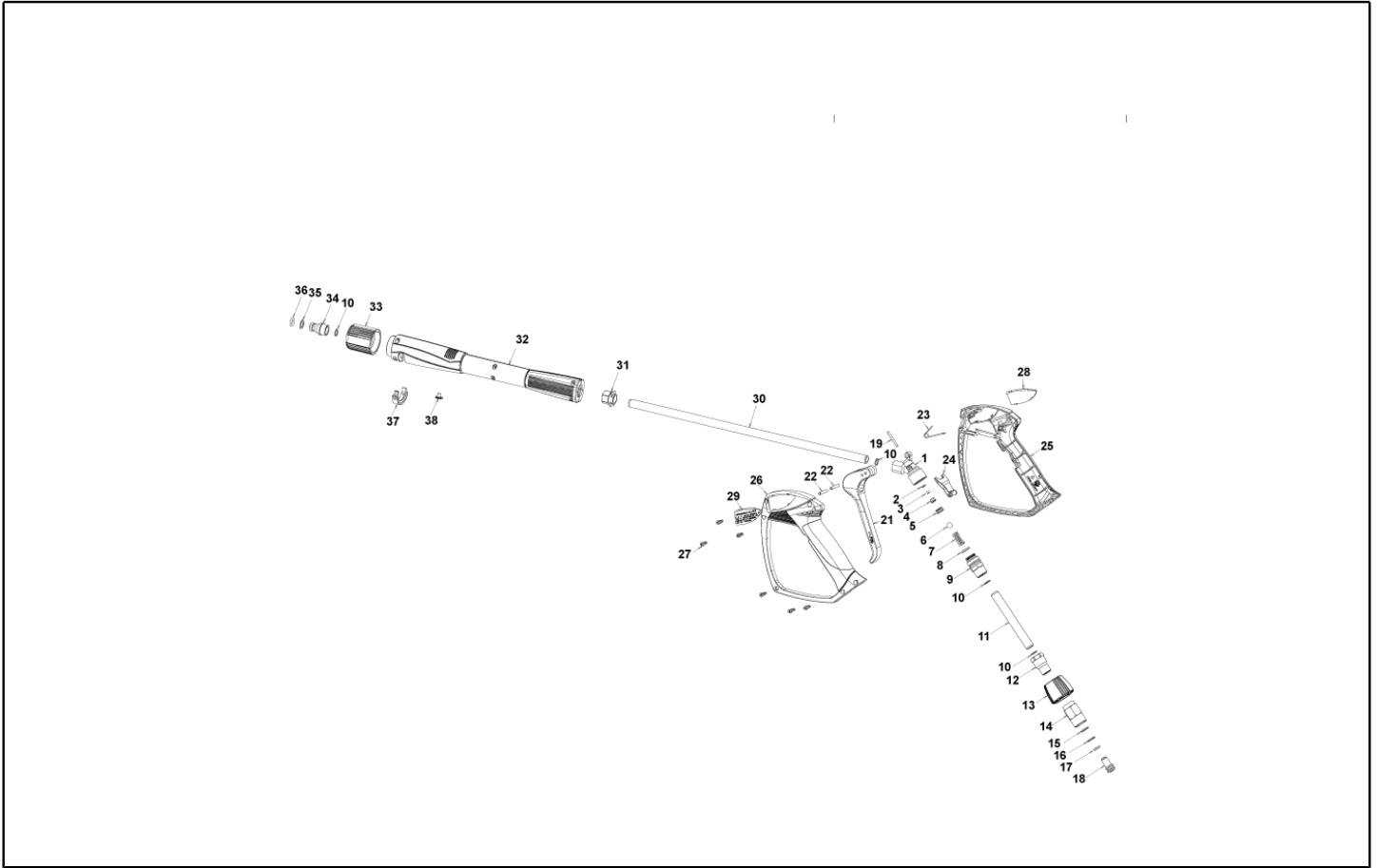
Model: H.P. CLEANER BENZ-C H1811Pi P IPC



Ref. K	Part n.	Part n. 2	Description	Quantity	Validity		Price
					From	To	
0001	LAFN40180		CHASSIS BENZ HP 6.5	1,00			--
0002	RTRT40007		WHEEL D. 11.4" X 4/4 -D.25 PN.	2,00			--
0003	VTVR01268		HUB CAP D. 25	2,00			--
0004	LAFN40182		FOOT BENZ HP 6.5	1,00			--
0005	MPVR60726		VIBRATION DAMP. TCC48X25- 1M8X16 60SH GMM	2,00			--
0006	LAFN40189		HANDLE BENZ HP 6.5	1,00			--
0007	LAFN40184		BUMPER BENZ HP 6.5	1,00			--
0008	MOSC40001		ENGINE MOTOR HONDA GX200UT1 QX-4 OH	1,00			--
0009	IPPR89429		GRIP G 4500 - P.330 -M22SW.M V	1,00		15/04/2014	--
0009	IPPR40010		GRIP G 5100+P.330 +M22 SW.M V	1,00	16/04/2014	29/02/2016	--
0009	IPPR40020		GRIP G 6000+P.330 +M22 SW.M V	1,00	01/03/2016	14/06/2018	--
0009	IPPR40025		GRIP G 6000+P.330 +M22 SW.M 2V	1,00	15/06/2018		--
0010	LCPR40013		EXTENSION P 70 - HYPERJET 1/4F	1,00			--
0011	TBAP25324		H.P. HOSE R1 MT 10.5/16" C/2 IRV ZC	1,00			--
0012	UGLN49990		NOZZLE LECH 1/4 25034	1,00			--
0013	RCVR29600		SOCKET PTC 3/4 F	1,00			--
0014	RCVR29602		CONNECTOR D. 1/2"-5/8" PTC	1,00			--
0016	FTAC30214		FILTER D.15X67	1,00			--
0017	PPAP40034		PUMP TT1511 SX C T.IN.2.0 FL/H	1,00			--
0018	FTDT04648		FILTER PG. D.6 PLS	1,00			--
0019	TBBP00051		DETERGENT HOSE D. 6-12	1,50			--
0020	RCDS10544		NIPPLE M22-3/8 M-M D. 3 L=62	1,00			--
0021	VVSC37614		VALVE 3/8" 63°C	1,00		31/05/2018	--
0021	VVSC40022		VALVE 3/8" ML610 56° 10b.	1,00	01/06/2018		--
0022	LAFN40213		RING BENZ HP 6.5 AL.	1,00			--
0023	GUGO26964		O-RING D. 18.72 X 2.62 NBR 90SH	1,00			--
0024	GUGO21339		O-RING D. 29.82 X 2.62 VIT 70SH	1,00			--
0025	RCDS40061		BUSHING HONDA 6.5HP	1,00			--
0026	MPVR01697		PROD D.30 1.02.109	4,00			--
0027	MPVR32471		PROD D. 8 BK	2,00			--
0028	LAFN40190		SUPPORT BRACKET BENZ HP 6.5	1,00			--
0029	PVVR18673		KNOB COLT	1,00			--
0030	RCDS21788		RING NUT M 28 X 1.5 L=16	1,00			--
0031	GUGO03507		O-RING D. 13.95 X 2.62 VIT 70SH	1,00			--
0032	RCDS46109		NIPPLE 3/4 - 1/2 RYL INX	1,00			--
0033	GUGO01032		O-RING D. 17.13 X 2.62 NBR 70SH	1,00			--



Ref. K	Part n.	Part n. 2	Description	Quantity	Validity		Price
					From	To	
0001	PVVR40381		GUN BODY G 5100 G1/4F	1,00			--
0002	S	GUVR40074	ANTI-EXTR.RING D. 3 X 7.4X1.3	1,00			--
0003	S	GUGO21835	O-RING D. 2.84 X 2.62 VIT. 80SH	1,00			--
0004	PVVR40382		PISTON GUIDE G 5100	1,00			--
0005	S	PVVR40112	BALL SEAT G 5000	1,00			--
0006	S	SFVR27026	BALL D.11/32" INX	1,00			--
0007		MLML40016	SPRING D. 9.4 x21.5x1.6 G5000	1,00			--
0008		GUGO12322	O-RING D. 14 X 1.78 NBR 90SH	1,00			--
0009		PVVR40383	CONNECTOR COLL.G5100 1/4F	1,00			--
0010		VTRS40017	WASHER D. 8.2X11,4X1.00	4,00			--
0011		PVVR40384	TUBE G 1/4" L.105	1,00			--
0012		RCIN40022	CONNECTOR SWIV G5100 1/4F	1,00			--
0013		MPVR40486	RING NUT G 5100 SW. GR.	1,00			--
0014		RCIN40021	JOINT SWIV 5100 M22	1,00			--
0015	S	GUVR40075	ANTI-EXTR.RING D. 10 X14X1.5	1,00			--
0016	S	GUVR40076	ANTI-EXTR.RING D. 11.2X14X1.2	1,00			--
0017	S	GUGO15295	O-RING D. 10.82 X 1.78 VIT 75SH	1,00			--
0018		PVVR40386	SCREW SW. G 5100	1,00			--
0019		PVVR40387	SMALL PISTON G 5100	1,00			--
0021		MPVR40487	TRIGGER G 5100-SW	1,00			--
0022		VTVR40047	PLUG D. 4X29	2,00			--
0023		MLML40029	SPRING G 5100	1,00			--
0024		MPVR40488	SAFETY-DEVICE G 5100-SW	1,00			--
0025		MPVR40489	SHELL G 5100-SW DX	1,00			--
0026		MPVR40490	SHELL G 5100-SW SX	1,00			--
0027		VTVT40043	SCREW AF 4X 14 HILO ZN.N	6,00			--
0028		MPVR40491	PLATE G 5100 GR.DX	1,00			--
0029		MPVR40492	PLATE G 5100 GR.SX	1,00			--
0030		LCPR40086	TUBE 1/4 L=420 ZC. 0°	1,00			--
0031		MPVR40493	CONNECTOR G 5100-SW	1,00			--
0032		MPVR40494	PROTECTION P 420 C/AN.	1,00			--
0033		PVVR40119	CONNECTION M22X1.5 IRV G5000	1,00			--
0034		RCIN40009	GUDGEON G 1/4 F IRV G5000	1,00			--
0035		GUVR40034	ANTI-EXTR.RING D. 10 X14	1,00			--
0036		GUGO01946	O-RING D. 9.13 X 2.62 VIT 70SH	1,00			--
0037		MPVR40495	CAP G 5100 REM.	1,00			--
0038		MPVR40198	CAP G 5000	1,00			--



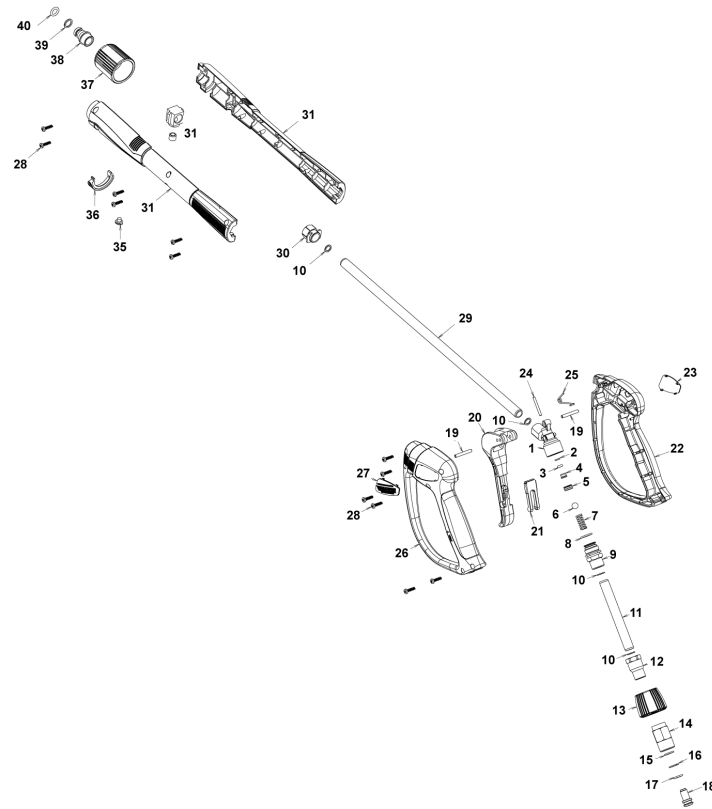
Ref. Part n.	Part n. 2	Description	Reference	Price
KTRI40242		KIT P 26- 25 G 5100	0002 0003 0005 0006	--
KTRI40243		KIT P 26- 26 SWIVEL G 5100	0015 0016 0017	--



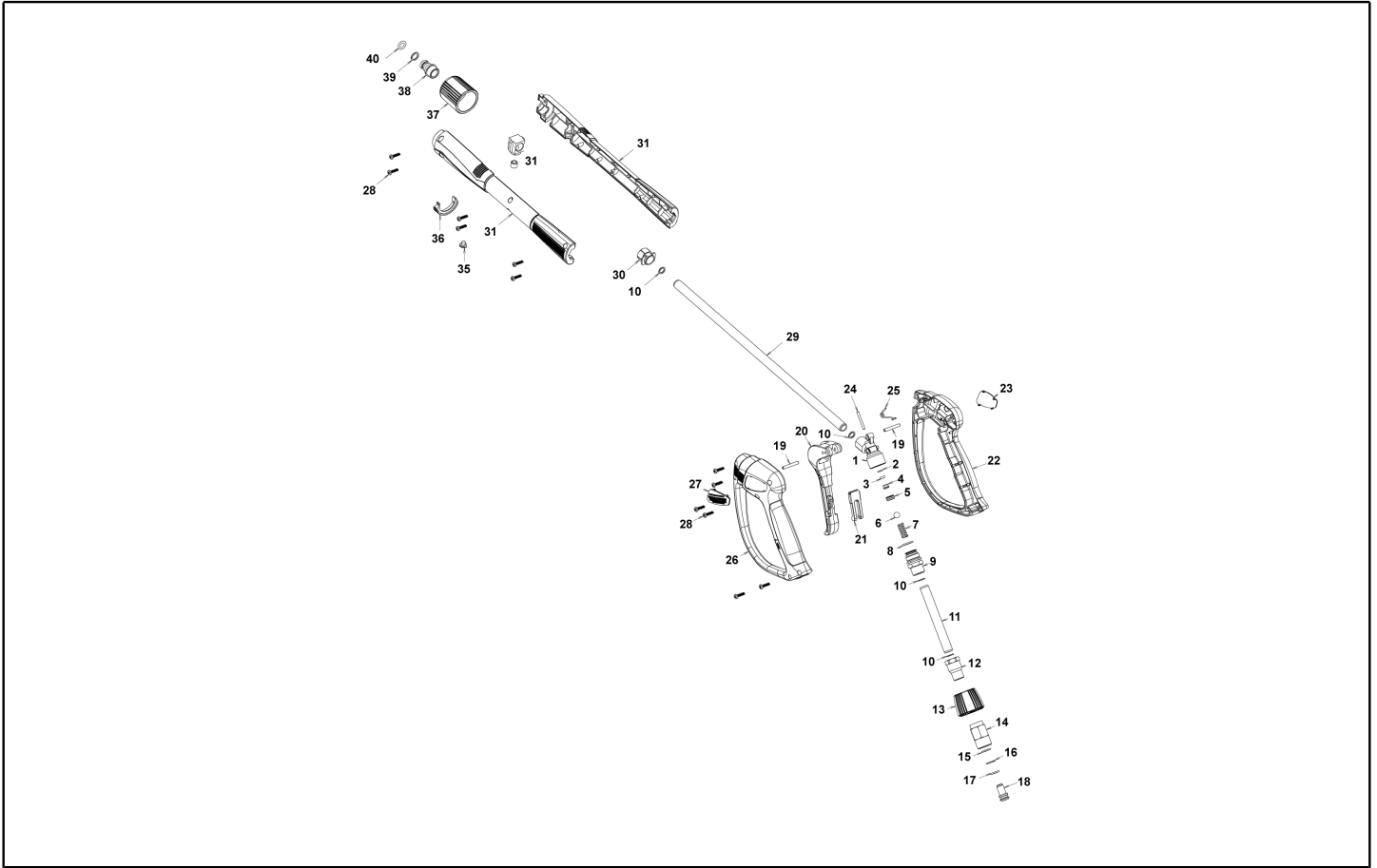
Ref. K	Part n.	Part n. 2	Description	Quantity	Validity		Price
					From	To	
0001	PVVR40381		GUN BODY G 5100 G1/4F	1,00			--
0002	S	GUVR40074	ANTI-EXTR.RING D. 3 X 7.4X1.3	1,00			--
0003	S	GUGO21835	O-RING D. 2.84 X 2.62 VIT. 80SH	1,00			--
0004		PVVR40382	PISTON GUIDE G 5100	1,00			--
0005	S	PVVR40112	BALL SEAT G 5000	1,00			--
0006	S	SFVR40002	BALL D.11/32" ALL GR16	1,00			--
0007		MLML40016	SPRING D. 9.4 x21.5x1.6 G5000	1,00			--
0008		GUGO12322	O-RING D. 14 X 1.78 NBR 90SH	1,00			--
0009		PVVR40383	CONNECTOR COLL.G5100 1/4F	1,00			--
0010		VTRS40017	WASHER D. 8.2X11,4X1.00	4,00			--
0011		PVVR40384	TUBE G 1/4" L.105	1,00			--
0012		RCIN40022	CONNECTOR SWIV G5100 1/4F	1,00			--
0013		MPVR40819	RING NUT G 5100 SW. BK.	1,00			--
0014		RCIN40021	JOINT SWIV 5100 M22	1,00			--
0015	S	GUVR40075	ANTI-EXTR.RING D. 10 X14X1.5	1,00			--
0016	S	GUVR40076	ANTI-EXTR.RING D. 11.2X14X1.2	1,00			--
0017	S	GUGO15295	O-RING D. 10.82 X 1.78 VIT 75SH	1,00			--
0018		PVVR40386	SCREW SW. G 5100	1,00			--
0019		VTVR40047	PLUG D. 4X29	2,00			--
0020		MPVR40820	TRIGGER G 6000-SW	1,00			--
0021		MPVR40821	SAFETY-DEVICE G 6000-SW	1,00			--
0022		MPVR40822	SHELL G 6000-SW DX	1,00			--
0023		MPVR40823	PLATE G 6000 GR.DX	1,00			--
0024		PVVR40387	SMALL PISTON G 5100	1,00			--
0025		MLML40029	SPRING G 5100	1,00			--
0026		MPVR40824	SHELL G 6000-SW SX	1,00			--
0027		MPVR40825	PLATE G 6000 GR.SX	1,00			--
0028		VTVT40043	SCREW AF 4X 14 HILO ZN.N	12,00			--
0029		LCPR40086	TUBE 1/4 L=420 ZC. 0°	1,00			--
0030		MPVR40493	CONNECTOR G 5100-SW	1,00			--
0031		MPVR40494	PROTECTION P 420 C/AN.	1,00			--
0035		MPVR40198	CAP G 5000	1,00			--
0036		MPVR40495	CAP G 5100 REM.	1,00			--
0037		PVVR40119	CONNECTION M22X1,5 IRV G5000	1,00			--
0038		RCIN40009	GUDGEON G 1/4 F IRV G5000	1,00			--
0039		GUVR40034	ANTI-EXTR.RING D. 10 X14	1,00			--
0040		GUGO01946	O-RING D. 9.13 X 2.62 VIT 70SH	1,00			--



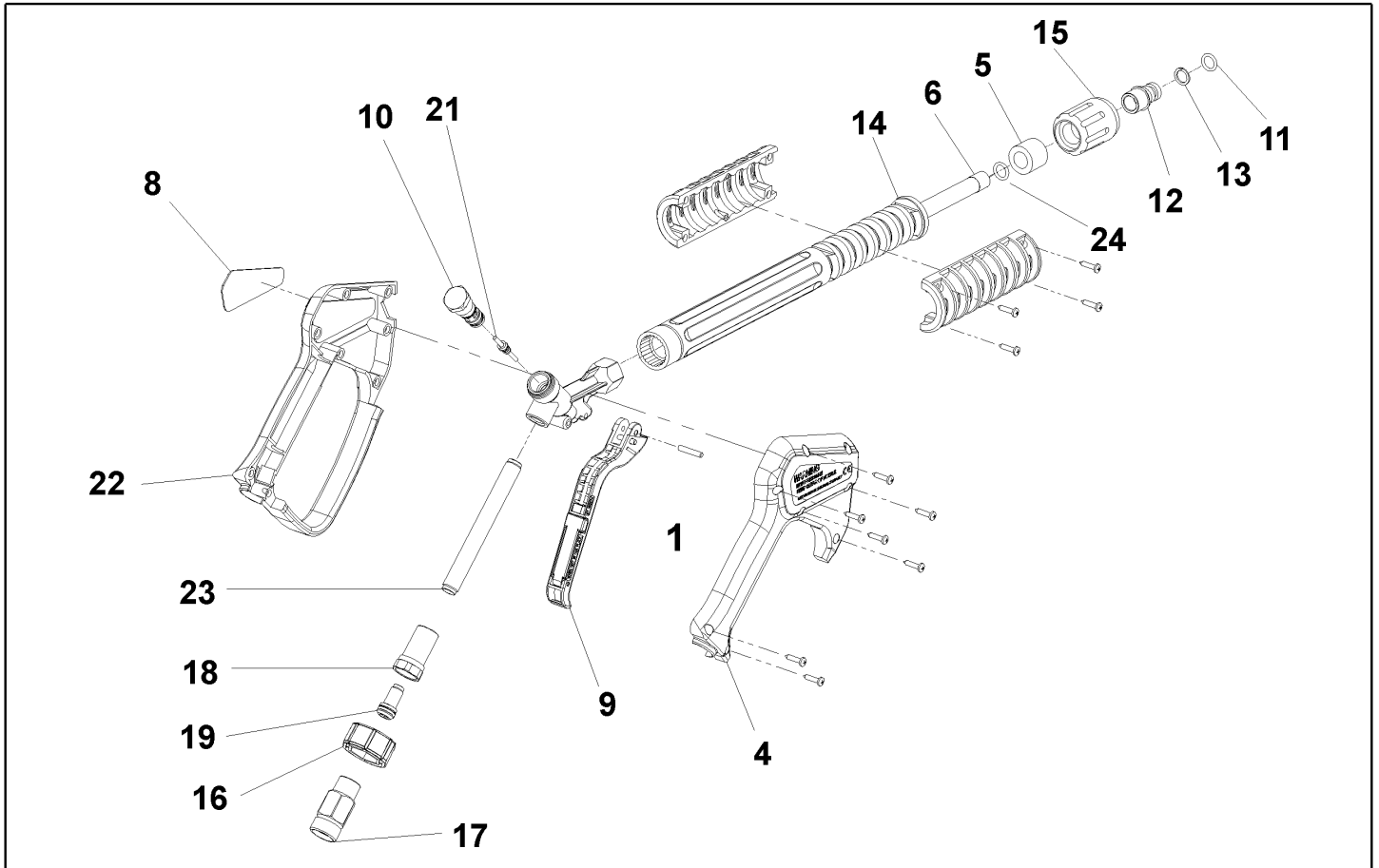
Ref. Part n.	Part n. 2	Description	Reference	Price
KTRI40243		KIT P 26- 26 SWIVEL G 5100	0015 0016 0017	--
KTRI40414		KIT P 26- 34 G 6000	0002 0003 0005 0006	--



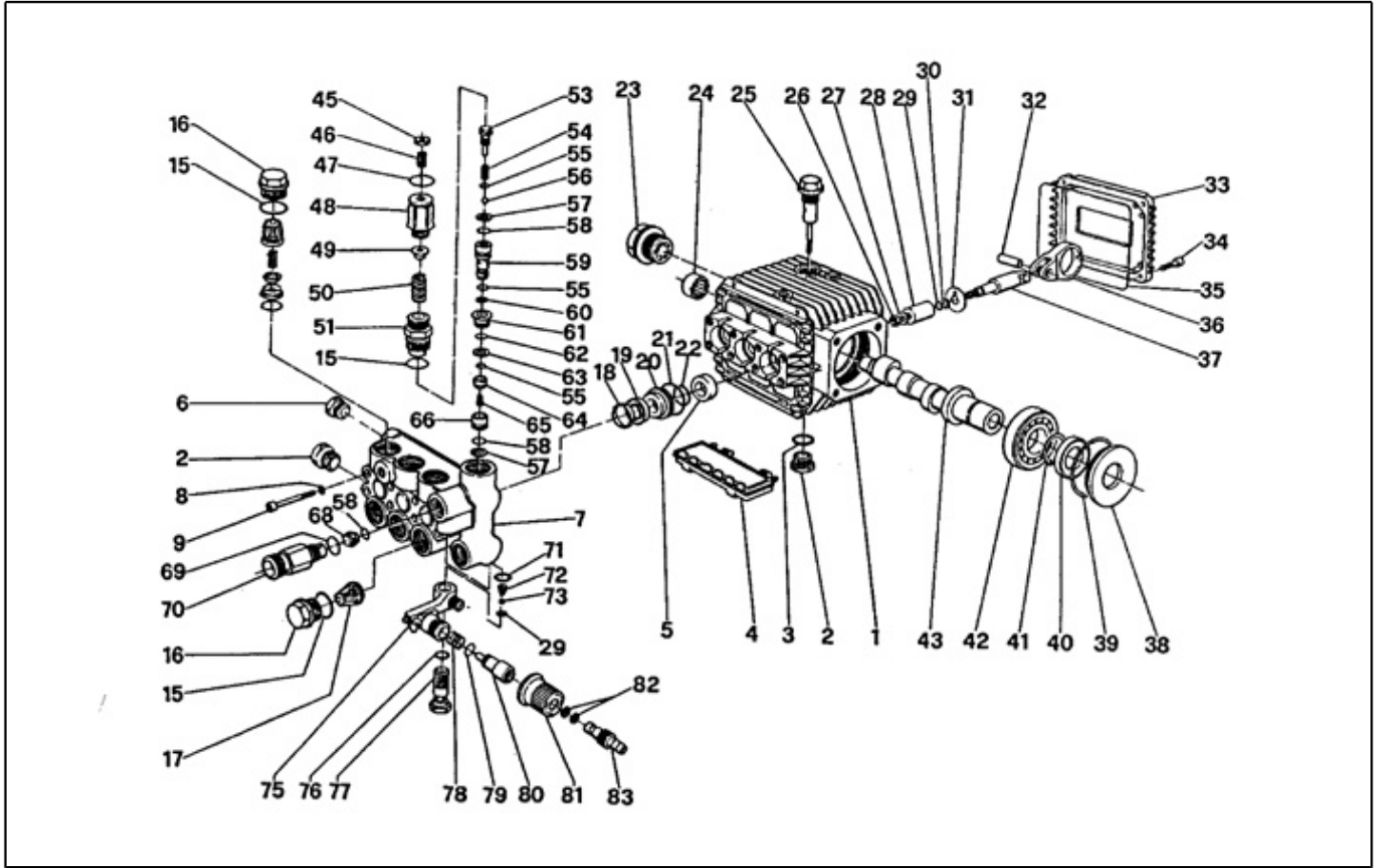
Ref. K	Part n.	Part n. 2	Description	Quantity	Validity		Price
					From	To	
0001	PVVR40381		GUN BODY G 5100 G1/4F	1,00			--
0002	S	GUVR40074	ANTI-EXTR.RING D. 3 X 7.4X1.3	1,00			--
0003	S	GUGO21835	O-RING D. 2.84 X 2.62 VIT. 80SH	1,00			--
0004		PVVR40382	PISTON GUIDE G 5100	1,00			--
0005	S	PVVR40563	BALL SEAT AL36 G6000 + OR	1,00			--
0006	S	SFVR40004	BALL D. 5/16" ALL.GR16	1,00			--
0007		MLML40047	SPRING D. 9.4 x23.5x1.6 G6000	1,00			--
0008		GUGO12322	O-RING D. 14 X 1.78 NBR 90SH	1,00			--
0009		PVVR40383	CONNECTOR COLL.G5100 1/4F	1,00			--
0010		VTRS40017	WASHER D. 8.2X11,4X1.00	4,00			--
0011		PVVR40384	TUBE G 1/4" L.105	1,00			--
0012		RCIN40022	CONNECTOR SWIV G5100 1/4F	1,00			--
0013		MPVR40967	RING NUT G 6000 SW. GR.	1,00			--
0014		RCIN40021	JOINT SWIV 5100 M22	1,00			--
0015	S	GUVR40075	ANTI-EXTR.RING D. 10 X14X1.5	1,00			--
0016	S	GUVR40076	ANTI-EXTR.RING D. 11.2X14X1.2	1,00			--
0017	S	GUGO15295	O-RING D. 10.82 X 1.78 VIT 75SH	1,00			--
0018		PVVR40386	SCREW SW. G 5100	1,00			--
0019		VTVR40047	PLUG D. 4X29	2,00			--
0020		MPVR40820	TRIGGER G 6000-SW	1,00			--
0021		MPVR40821	SAFETY-DEVICE G 6000-SW	1,00			--
0022		MPVR40822	SHELL G 6000-SW DX	1,00			--
0023		MPVR40968	PLATE G 6000/2 GR.DX	1,00			--
0024		PVVR40564	SMALL PISTON G 6000 AL36 SP.	1,00			--
0025		MLML40029	SPRING G 5100	1,00			--
0026		MPVR40824	SHELL G 6000-SW SX	1,00			--
0027		MPVR40825	PLATE G 6000 GR.SX	1,00			--
0028		VTVT40043	SCREW AF 4X 14 HILO ZN.N	12,00			--
0029		LCPR40181	TUBE 1/4 L=416 ZC. 0°	1,00			--
0030		MPVR40493	CONNECTOR G 5100-SW	1,00			--
0031		MPVR40494	PROTECTION P 420 C/AN.	1,00			--
0035		MPVR40198	CAP G 5000	1,00			--
0036		MPVR40495	CAP G 5100 REM.	1,00			--
0037		PVVR40119	CONNECTION M22X1,5 IRV G5000	1,00			--
0038		RCIN40048	GUDGEON G 1/4 F IRV G6000/2	1,00			--
0039		GUVR40034	ANTI-EXTR.RING D. 10 X14	1,00			--
0040		GUGO63555	O-RING D. 9.3 X 2,4 VIT 75SH	1,00			--



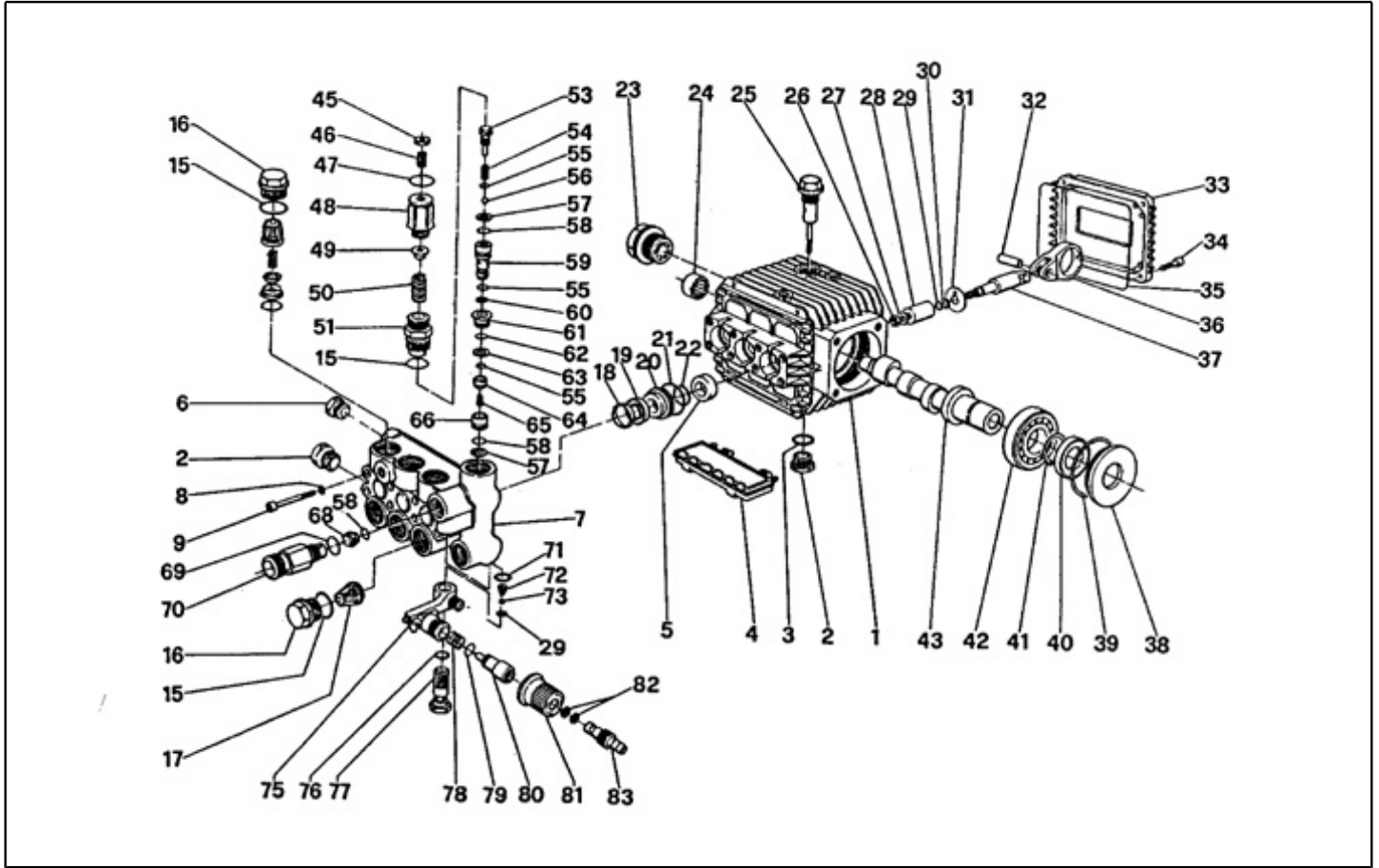
Ref. Part n.	Part n. 2	Description	Reference	Price
KTRI40243		KIT P 26- 26 SWIVEL G 5100	0015 0016 0017	--
KTRI40513		KIT P 26- 36 G 6000/II	0002 0003 0005 0006	--



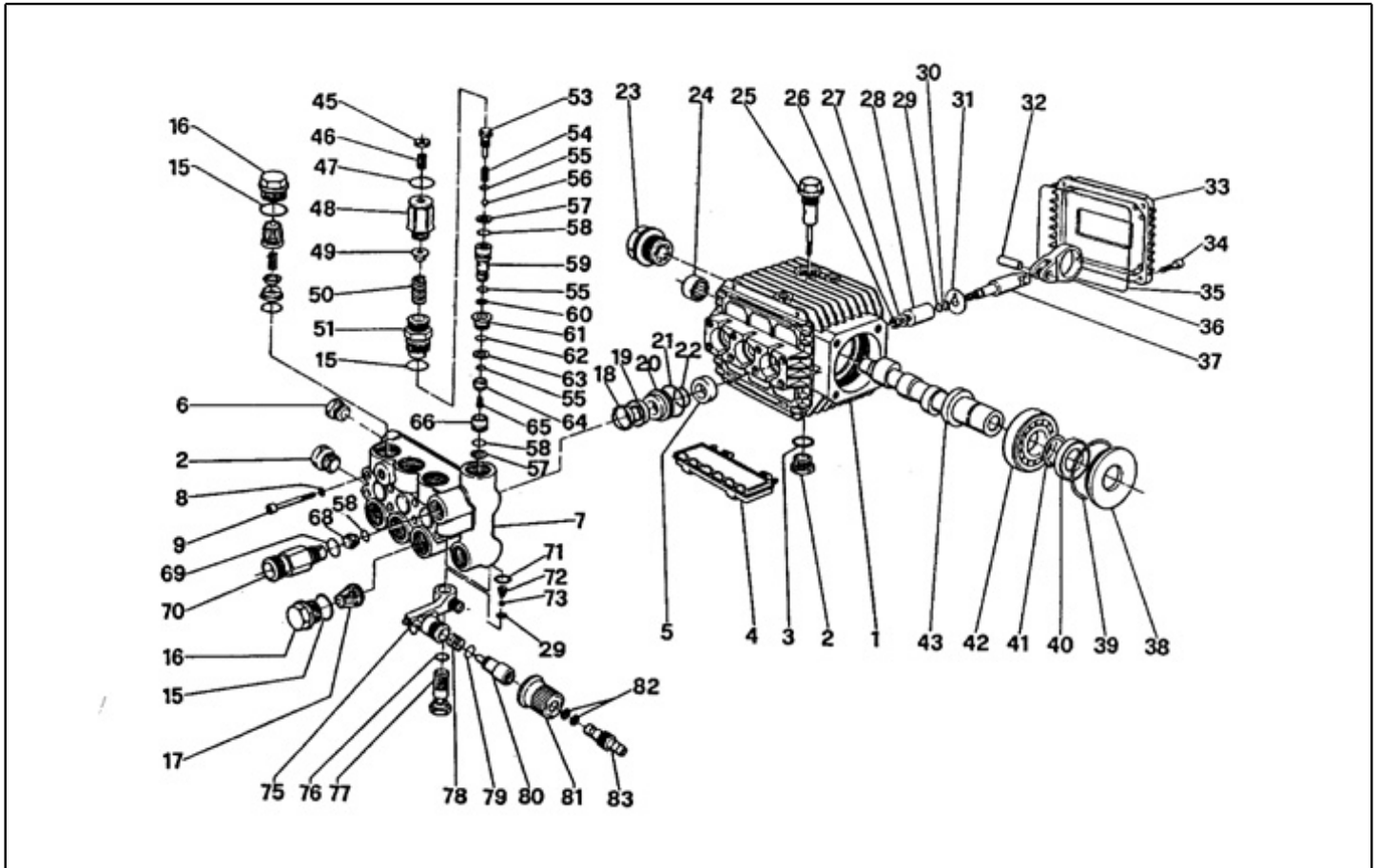
Ref. K	Part n.	Part n. 2	Description	Quantity	Validity		Price
					From	To	
0001	VTVR46568		PLUG G 4500	1,00			--
0004	MPVR46563		COVER G 4500	1,00		30/04/2008	--
0004	MPVR40157		COVER G 4500 2V.	1,00	01/05/2008		--
0005	MPVR46572		SPACER P 330 ST	1,00			--
0006	LCPR46571		TUBE 1/4 L=352 ZC.	1,00		30/04/2008	--
0006	LCPR40007		TUBE 1/4 L=352 ZC. 2V.	1,00	01/05/2008		--
0008	MPVR46569		PLATE G 4500 RD.	1,00			--
0009	MPVR40057		TRIGGER G 4500 -SW	1,00			--
0010	PVVR40030		SMALL PISTON TM ST-2300	1,00			--
0011	GUGO10384		O-RING D. 10 X 2.2 VIT 80SH	1,00			--
0012	RCVR13030		GUDGEON G 1/4 F L=31.5	1,00			--
0013	GUVR10526		ANTI-EXTR.RING D.13.9X10.2 C.BZ	1,00			--
0014	MPVR46570		PROTECTION P 330 ST	1,00			--
0015	PVVR13445		CONNECTION M 22X1,5 L=45	1,00			--
0016	MPVR40058		RING NUT G4500 SW.	1,00			--
0017	RCIN40001		JOINT SWIV 4500 3/8"F	1,00		30/04/2008	--
0017	RCIN40005		JOINT SWIV 4500 3/8"F 2V.	1,00	01/05/2008		--
0018	RCIN31641		CONNECTOR SWIV 1500 F	1,00			--
0019	KTRI31645		KIT P 26- 14	1,00			--
0021	PVVR40031		ROD ST-2300	1,00			--
0022	MPVR46562		SHELL G 4500	1,00		30/04/2008	--
0022	MPVR40156		SHELL G 4500 2V.	1,00	01/05/2008		--
0023	PVVR40023		TUBE G 1/4" M/M P/SW.	1,00			--
0024	GUGO27021		O-RING D. 11 X 2.5 EPD 70SH	1,00	01/05/2008		--



Ref. K	Part n.	Part n. 2	Description	Quantity	Validity		Price
					From	To	
0001	MFVR12641		PUMP CRANKCASE WW 90B - 93B	1,00			--
0002	RCDS01090		CAP 3/8X13 M WW90	2,00			--
0003	GUGO01035		O-RING D. 13.95 X 2.62 NBR 70SH	1,00			--
0004	PVVR43778		PROTECTION WW S.51	1,00			--
0005	S GUGO09690		OIL SEAL 15X 24X 5 NBR70	3,00			--
0006	RCDS01088		CAP 1/4X 9 M WW90	1,00			--
0007	MFVR18931		HEAD WW 90 OT. V.INT. D.15	1,00			--
0008	VTRS01077		WASHER D. 6,4X10X0,7	12,00			--
0009	VTVT06236		SCREW TCCE UNI 5931 6X40 ZB	8,00			--
0015	S GUGO01033		O-RING D. 20.24 X 2.62 NBR 90SH	7,00			--
0016	RCDS43779		CAP M 24X1,5X11,2 WW	6,00			--
0017	S VVAM28467		VALVE UNIT "44" WW136-186	6,00			--
0018	S PVVR09327		HEAD RING D. 15	3,00			--
0019	S GUVR09324		PACKING D. 15 TURBO	3,00			--
0020	S PVVR09687		PACKING RETAIN. D. 15 BJ	3,00			--
0021	S GUGO03506		O-RING D. 25.12 X 1.78 NBR 70SH	3,00			--
0022	S GUGO01054		O-RING D. 15.08 X 2.62 NBR 70SH	3,00			--
0023	PVVR01083		OIL INDICATOR G 3/4 W70-151	1,00			--
0024	CUVR09639		ROLLER BEARING BK 1516V	1,00			--
0025	PVVR01089		OIL DIPSTICK W 70	1,00			--
0026	VTDD04284		NUT M8X1,25 X13X5 S2 INX	3,00			--
0027	VTRS09321		WASHER D. 8X13X1	3,00		29/07/2002	--
0027	VTRS46027		WASHER D. 8 C/CLL.	3,00	30/07/2002		--
0028	PIVR09641		PISTON D.15 BJ WH.	3,00			--
0029	GUGO01055		O-RING D. 5.28 X 1.78 VIT 70SH	3,00			--
0030	GUVR 10257		ANTI-EXTR.RING WW161	3,00			--
0031	VTRS09320		WASHER D. 9X23X0,5	3,00			--
0032	PVVR09646		GUDGEON D. 8X24,5 BJ	3,00			--
0033	MFVR09643		CRANKCASE COVER BJ	1,00			--
0034	VTVT01115		SCREW TCEI 6X18	4,00			--
0035	GUGO27617		O-RING D. 88.57 X 2.62 NBR 70SH	1,00			--
0036	BLVR43780		CONNECTING ROD WW S.51	3,00			--
0037	PVVR09642		PISTON GUIDE BJ	3,00			--
0038	MFVR03565		SPACER W 70	1,00			--
0039	GUGO01040		O-RING D. 55.56 X 3.53 NBR 70SH	1,00			--
0040	GUGO12643		OIL SEAL 30X 42X 7 NBR70	1,00			--
0041	VTAE12644		CIRCLIP ESTERNO DIN 471 D.30	1,00			--
0042	CUVR12645		BALL BEARING 6206	1,00			--
0043	ALMO40002		SHAFT WW "C" C.6.6 D.18	1,00			--
0045	VTDD09708		NUT M 8 UNI 5589	1,00			--
0046	VTVT20196		SCREW EI-ST 8X20 UNI5923	1,00			--
0047	GUGO01057		O-RING D. 20.35 X 1.78 NBR 70SH	1,00			--
0048	PVVR18672		REGISTER COLT	1,00			--
0049	PVVR11656		SPRING PLATE W1	1,00			--



Ref. K	Part n.	Part n. 2	Description	Quantity	Validity		Price
					From	To	
0050	MLML11655		SPRING D.15X35	1,00			--
0051	S PVVR18671		BUSHING COLT	1,00			--
0053	S PVVR18670		LIMIT SWITCH COLT	1,00			--
0054	S MLML20195		SPRING D. 6.1X19	1,00			--
0055	S GUGO03497		O-RING D. 6.75 X 1.78 VIT 80SH	3,00			--
0056	S SFVR12904		BALL D. 9/32 W1 INX	1,00		31/03/2009	--
0056	S PVVR89063		COUPLING V.INT. "H"	1,00	01/04/2009		--
0057	S GUVR11651		ANTI-EXTR.RING D. 10.6X15X2	2,00			--
0058	S GUGO03501		O-RING D. 9.92 X 2.62 VIT 70SH	2,00			--
0059	S PVVR18669		CONTROL PISTON COLT	1,00			--
0060	S GUVR04309		ANTI-EXTR.RING HM	2,00			--
0061	S PVVR11653		VALVE GUIDE CONTROL SET W1	2,00			--
0062	S GUGO11652		O-RING D. 12.42 X 1.78 NBR 70SH	1,00			--
0063	S GUVR11650		ANTI-EXTR.RING CONTROL SET W1	1,00			--
0064	S PVVR18668		VALVE CLT	1,00			--
0065	S VTVT18667		SCREW M 5X0,8X7,5	1,00			--
0066	S PVVR12887		VALVE SEAT CONTROL SET W1	1,00			--
0068	UGEI09840		NOZZLE D. 2.0 OT58	1,00			--
0069	GUGO03507		O-RING D. 13.95 X 2.62 VIT 70SH	1,00			--
0070	RCDS10544		NIPPLE M22-3/8 M-M D. 3 L=62	1,00			--
0071	GUGO03496		O-RING D. 9.25 X 1.78 NBR 70SH	1,00			--
0072	MLML04264		SPRING D. 4.3X11X7.3 KR	1,00			--
0073	SFVR04274		BALL D. 7/32	1,00			--
0075	PVVR18713		METERING. BODY COLT	1,00			--
0076	GUGO01036		O-RING D. 10.82 X 1.78 NBR 70SH	1,00			--
0077	PVVR09709		VALVE SEAT KR	1,00			--
0078	MLML03616		SPRING D. 9.75X10	1,00			--
0079	GUGO19398		O-RING D. 8.73 X 1.78 VIT 70SH	1,00			--
0080	PVVR09711		COUPLING KR	1,00			--
0081	PVVR09712		KNOB KR P33	1,00			--
0082	GUGO08071		O-RING D. 4.48 X 1.78 NBR 70SH	2,00			--
0083	RCIN09713		COUPLING KR	1,00			--



Ref. Part n.	Part n. 2	Description	Reference	Price
KTRI18651		KIT P 83	0005	--
KTRI18654		KIT P 15- 86	0020 0021 0022	--
KTRI20717		KIT P 15-102P SF.ACC.	0051 0053 0054 0055 0056 0057 0058 0059 0060 0061 0062 0063 0064 0065 0066	--
KTRI21664		KIT P 96	0018 0019 0020 0021 0022	--
KTRI21665		KIT P 97	0018 0019 0021 0022	--
KTRI28508		KIT P 15-123	0017	--
KTRI18655		KIT P 102	0051 0053 0054 0055 0056 0057 0058 0059 0060 0061 0062 0063 0064 0065 0066	--