

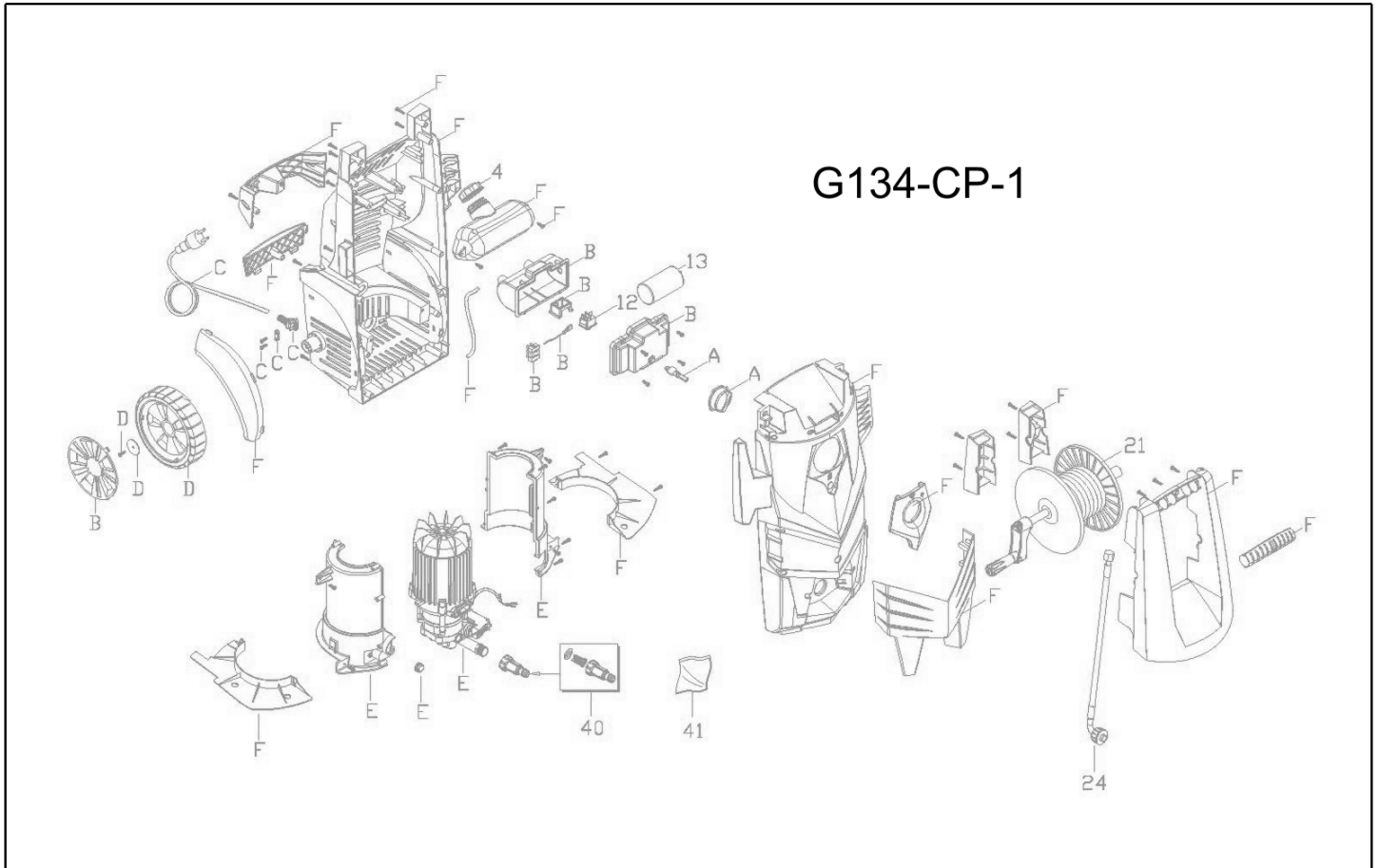


IPC

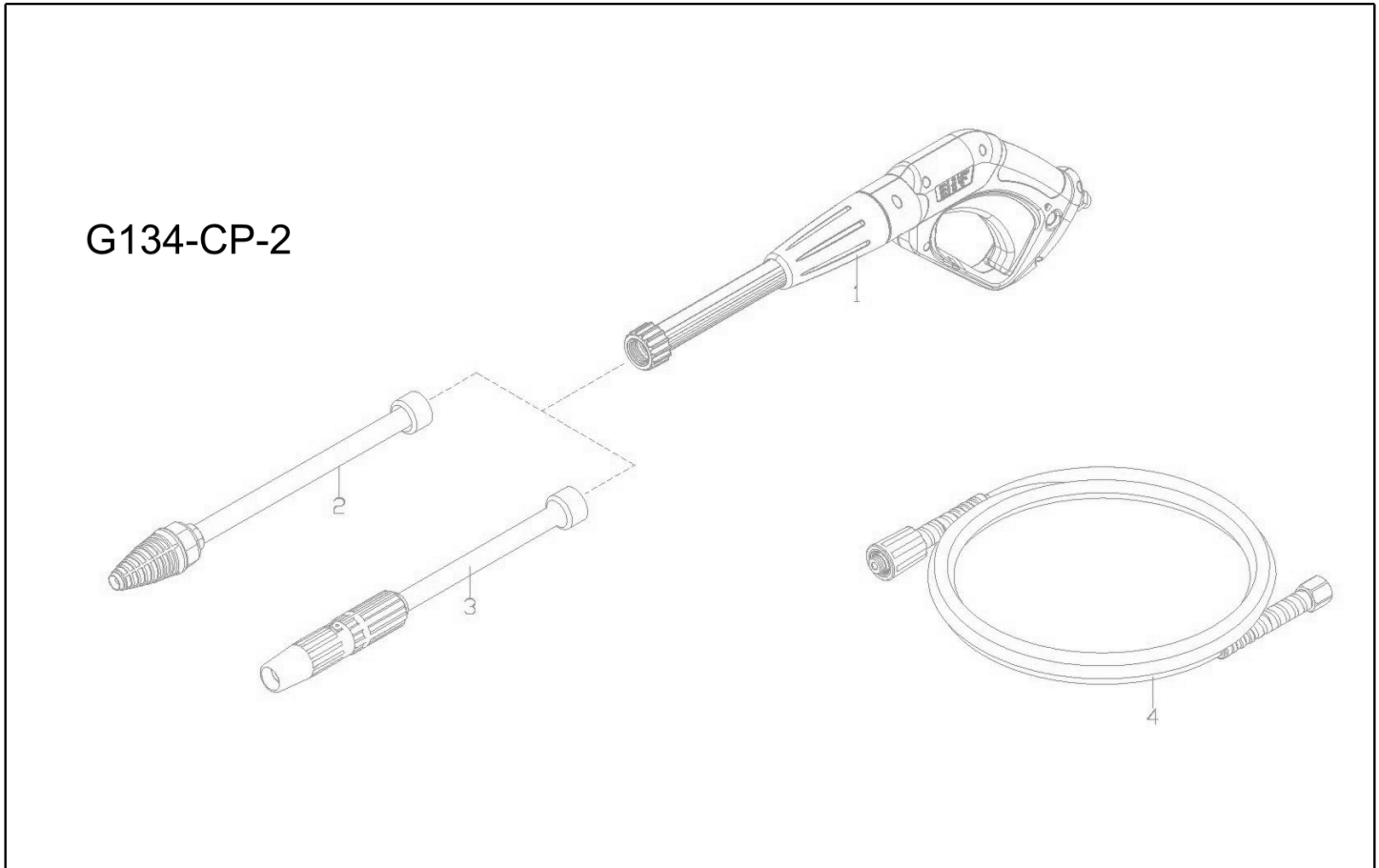
Spare parts list

Ref: IDAF94295

Model: H.P. CLEANER G134-CP I1207A 230/50 PRT

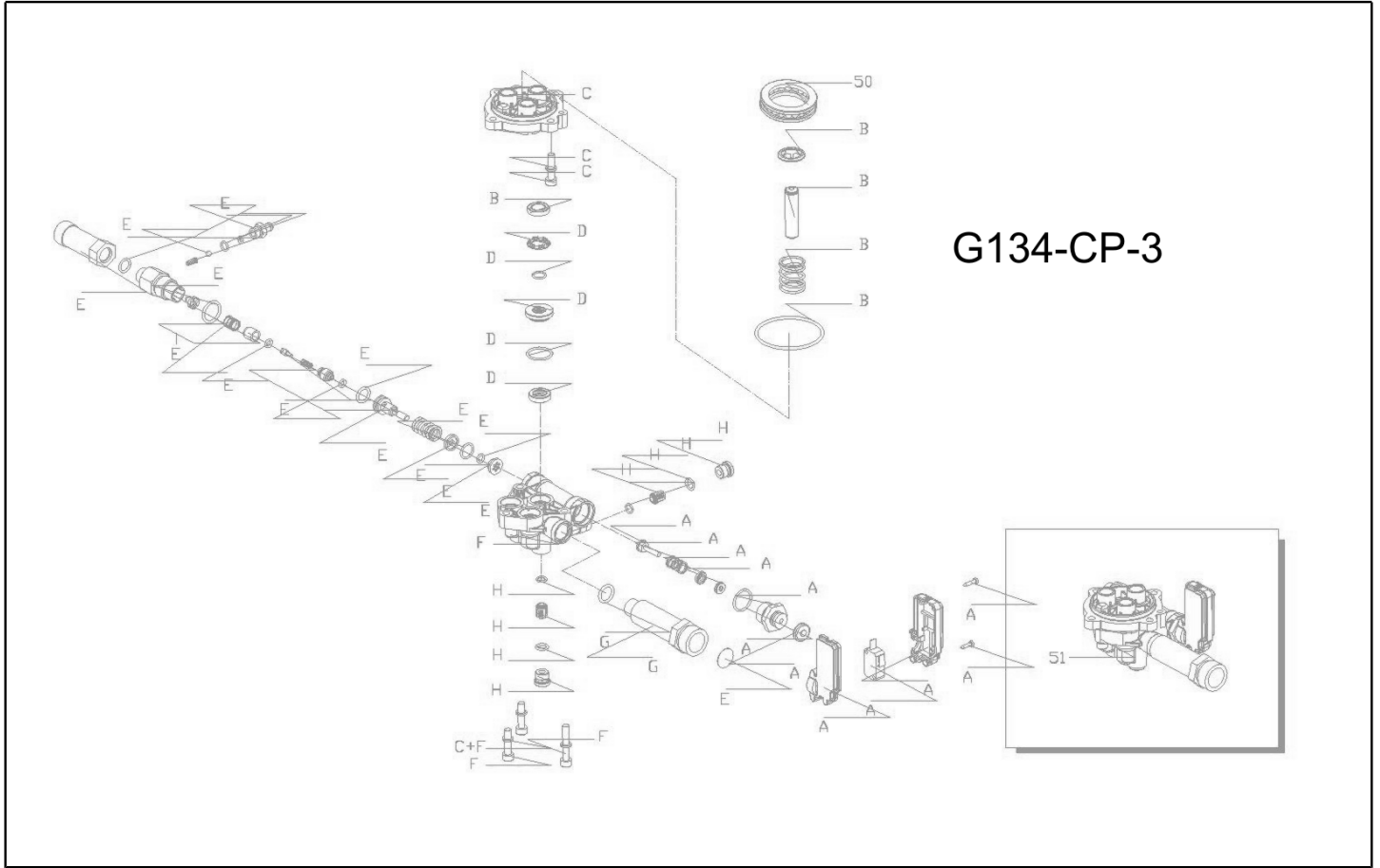


Ref. K	Part n.	Customer part n.	Description	Quantity	Validity		Price
					From	To	
A	KTRI40352		KNOB INT. G134-C	1,00			--
B	KTRI40354		CONTROL BOARD G134-C	1,00			--
C	KTRI40349		CABLE G134-C	1,00			--
D	KTRI40358		KIT P 1- 28 WHEEL D.160	1,00			--
E	PPEL40068		GROUP G137 1207A M 230/50	1,00			--
F	KTRI40374		KIT P 24- 22 COVER G134-CP	1,00			--
0004	MPVR40793		TANK CAP PW-C23 BK.	1,00			--
0012	MECI40037		SWITCH G109-C	1,00			--
0013	MECO40024		CAPACITOR G134-C	1,00			--
0021	KTRI40383		KIT P 35- 51 HOSE REEL G134-CP	1,00			--
0024	TBAP40184		HOSE AVTB G134-CP	1,00			--
0041	RCVR40174		SOCKET C10 3/4 F +FILT.	1,00			--
0042	PLDC94347		INSTR.MANUAL PW-C22P 26L IPC	1,00			--



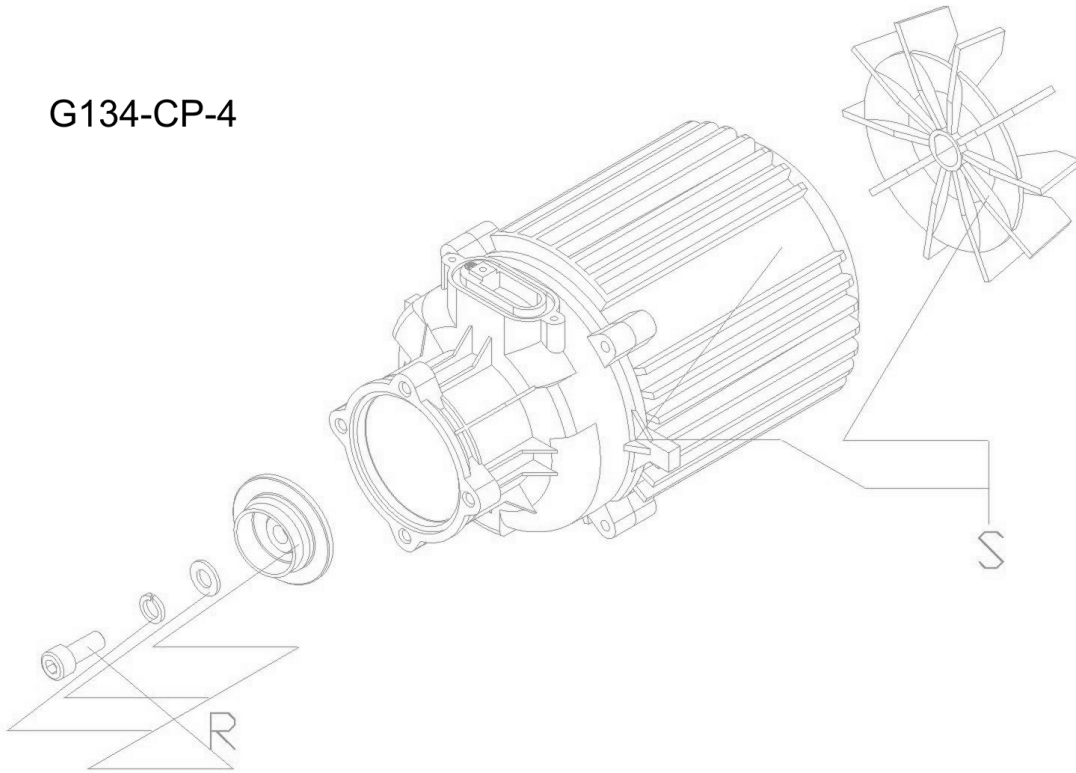
G134-CP-2

Ref. K	Part n.	Customer part n.	Description	Quantity	Validity		Price
					From	To	
0001	IPPR40019		GUN AG375	1,00			--
0002	LCPR40125		LANCE ROTOPOWER 1,15	1,00			--
0003	LCPR40120		LANCE M.REG 0,95	1,00			--
0004	TBAP40181		H.P. HOSE TEX MT 8	1,00			--



Ref. K	Part n.	Customer part n.	Description	Quantity	Validity		Price
					From	To	
A	MEPF40033		PRESSURE SWITCH TSS G134-C	1,00			--
B	KTRI40340		KIT P 15-228 D.12	1,00			--
C	KTRI40357		KIT P 15-235 GUIDA PISTONI	1,00			--
D	KTRI40360		KIT P 15-237 TENUTE D.12	1,00			--
E	KTRI40363		KIT P 14-109 BY-PASS G134-C	1,00			--
F	KTRI40369		KIT P 15-240 HEAD G134-C	1,00			--
G	KTRI40376		KIT P 15-241 RACC.ASP. G134-C	1,00			--
H	KTRI40346		KIT P 15-231 VALVOLINE+TAP.	1,00			--

G134-CP-4



Ref. K	Part n.	Customer part n.	Description	Quantity	Validity		Price
					From	To	
R	KTRI40380		KIT P 15-245 PIATTELLO G134-C	1,00			--
S	MOMO40063		1PH MOTOR G134-C 230-50 ZHE	1,00			--