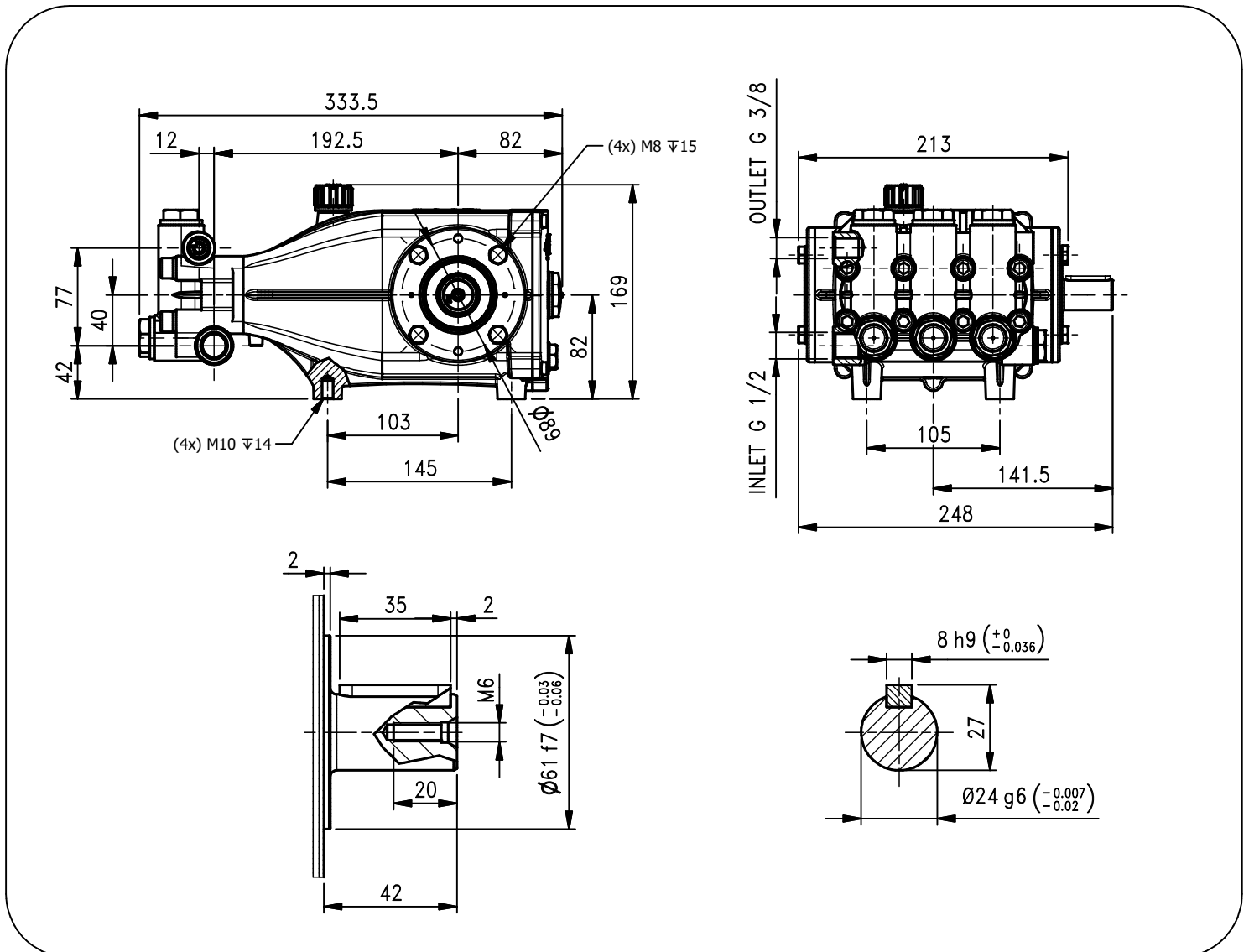


Caratteristiche Tecniche **AQUAGROUP NLTI 2020** *Technical Characteristics*

Pump Pompa	Pressure Pressione		Volume Portata				RPM giri/min		Power Potenza			
			l/min		GPM				HP		kW	
	bar	PSI	50 Hz	60 Hz	50 Hz	60 Hz	50 Hz	60 Hz	50 Hz	60 Hz	50 Hz	60 Hz
AQU3020IR	200	2900	30	36	7.9	9.5	1450	1740	15.5	18.6	11.4	13.7

Dimensioni d'ingombro

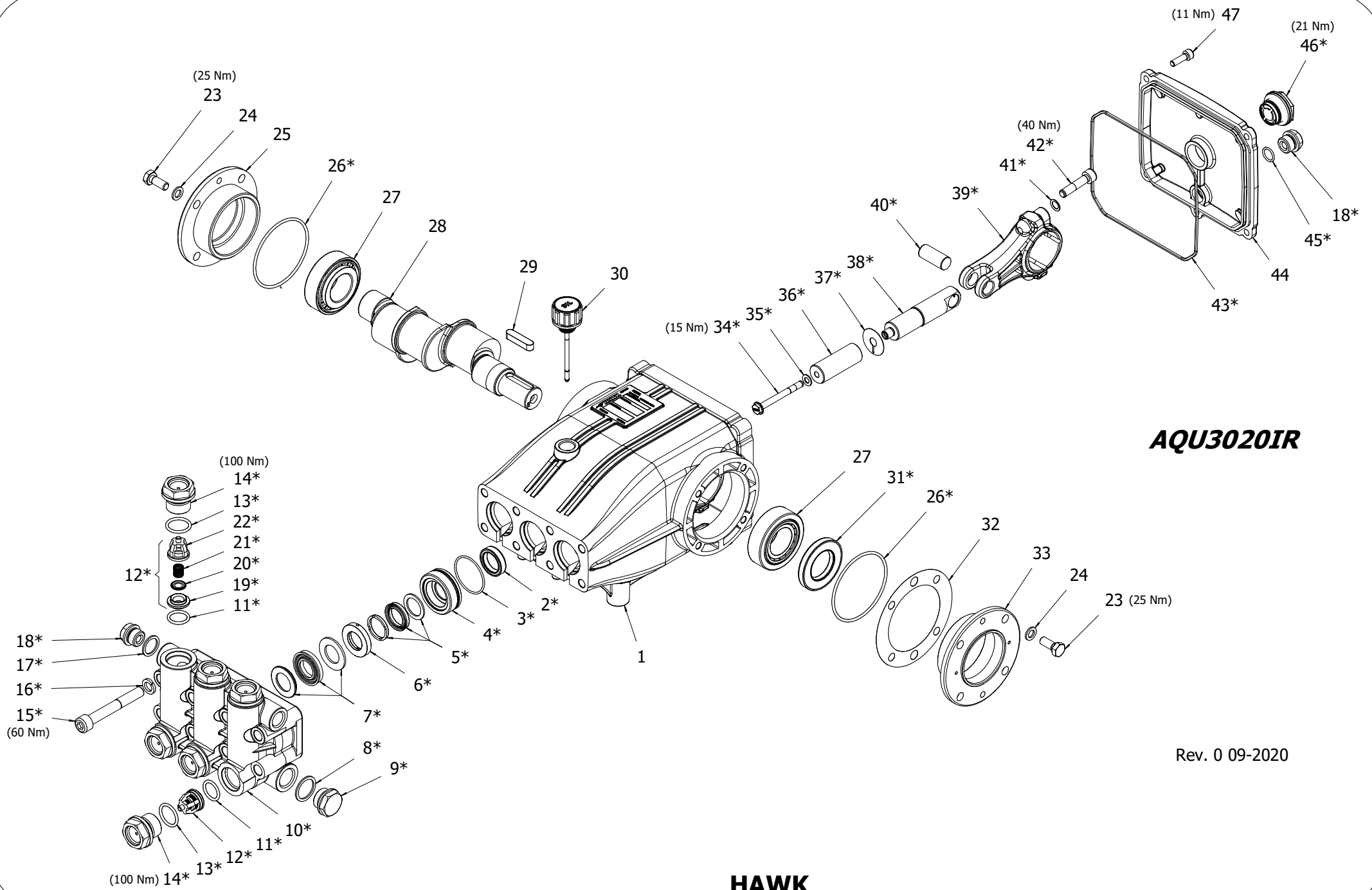
Overall dimensions



Lubrificazione: Olio SAE 10W40
 Capacità: 1.2 Litri
 Peso pompa: 17.2 Kg

Rev. 0 09-2020

Lubrication: SAE 10W40 Oil
 Capacity: 1.2 Litres
 Weight: 17.2 Kg



AQU3020IR

Rev. 0 09-2020

**HAWK
 Pompe NLTI AQUAGROUP serie 2020
 AQUAGROUP NLTI pumps 2020 series**

AQUAGROUP NLTI 2020 SERIES

ORDINARY MAINTENANCE KIT / KIT MANUTENZIONE ORDINARIA

KIT	Item - Pos	Part Number - Codice	Description	Descrizione	Q.TY per pump - Q.TÀ per pompa	AQU3020/R
A	3- 5- 7	1.099-759.0	PLUNGER SEALS DIA. 20 mm	GUARNIZIONI PISTONE Ø20	1	•
B	11- 12- 13 (19- 20- 21- 22)	1.905-669.0	COMPLETE VALVE	VALVOLA COMPLETA	1	

EXTRAORDINARY MAINTENANCE KIT / KIT MANUTENZIONE STRAORDINARIA

KIT	Item - Pos	Part Number - Codice	Description	Descrizione	Q.TY per pump - Q.TÀ per pompa	AQU3020/R
C	3- 4- 5- 6- 7	1.905-670.0	COMPLETE SEALS PACKING DIA. 20 mm	PACCO COMPLETO GUARNIZIONI PISTONE Ø20	1	•
D	34- 35- 36- 37	1.099-763.0	PLUNGER DIA. 20 mm	PISTONE Ø20	3	
E	2	1.099-766.0	PLUNGER OIL SEALS	ANELLI TENUTA OLIO ASTA	1	
F	18- 26- 31- 43 45- 46	1.905-613.0	KIT CRANKCASE SEALS	KIT TENUTE CARTER	1	
G	3- 4- 5- 6- 7- 8 9- 10- 11- 12 13- 14- 15- 16 17- 18	1.099-767.0	COMPLETE MANIFOLD DIA. 20 mm	TESTATA COMPLETA Ø20	1	
H	38- 39- 40- 41 42	1.904-182.0	CONNECTING ROD PLUNGER ROD ASSY	PREMONTATO ASTA-BIELLA PISTONE	3	
I	13- 14	1.904-251.0	VALVE PLUG ASSY	PREMONTATO TAPPO VAM	6	

“Q.TY by Pump” => Necessary quantity to repair one pump
 “Q.TA’ per Pompa” => Quantità necessaria per riparare una pompa

Part Number - Codice	Description	Descrizione
1.099-665.0	TOOL-KIT	TOOL-KIT
1.905-659.0	SEAL EXTRACTOR TOOL-KIT	TOOL-KIT ESTR. PARAOLIO

IMPORTANT

IMPORTANTE

* Part available ONLY in kit
 Disponibile SOLO in kit

(...) Parts pre-assembled
 Parti pre-assemblate

PARTS LIST LISTA PARTI

Item - Pos	Part Number - Codice	Description	Descrizione	KIT	Q.TY per pump - Q.TÀ per pompa	AQU3020IR
1	9.850-377.0	CRANKCASE	CARTER		1	
2*		PLUNGER OIL SEAL	ANELLO RADIALE	E	3	
3*		"O" RING Ø1.78X37.82	"O" RING Ø1.78X37.82	A-C-G	3	
4*		PRESSURE RING 20MM	PRESSORE "U" Ø20	C-G	3	
5*		LOW PRESSURE "U" SEAL, DIA.20MM	ANELLO TENUTA "U" Ø20	A-C-G	3	
6*		INTERMED. RING 20MM	DIFFUSORE INTER. Ø20	C-G	3	
7*		HIGH PRESSURE "U" SEAL, DIA.20MM	ANELLO TENUTA "U" Ø20	A-C-G	3	
8*		COPPER WASHER G1/2	GUARNIZIONE RAME	G	1	
9*		PLUG G1/2	TAPPO G1/2	G	1	
10*		MANIFOLD HOUSING DIA.20	TESTATA Ø20	G	1	
11*		"O" RING Ø2.62X17.13	"O" RING Ø2.62X17.13	B-G	6	
12*		VALVE ASSEMBLY	VALVOLA PREMONTATA	B-G	6	
13*		"O" RING Ø2.62X20.24	"O" RING Ø2.62X20.24	B-G-I	6	
14*		VALVE PLUG	TAPPO VALVOLA	G-I	6	
15*		MANIFOLD SCREW M10X80 GEOMET	VITE M10X80 GEOMET	G	8	
16*		WASHER Ø10,2	ROSETTA Ø10,2	G	8	
17*		COPPER WASHER G3/8	GUARNIZIONE RAME	G	1	
18*		PLUG G3/8	TAPPO G3/8	G-F	2	
19*		VALVE SEAT	SEDE VALVOLA	B-G	6	
20*		VALVE PLATE	PIATTELLO VALVOLA	B-G	6	
21*		VALVE SPRING	MOLLA VALVOLA	B-G	6	
22*		VALVE CAGE	GABBIA VALVOLA	B-G	6	
23	9.851-503.0	HEXAGONAL SCREW M8X20	VITE M8X20		8	
24	9.851-114.0	WASHER	ROSETTA Ø8,5		6	
25	9.850-620.0	CLOSED BEARING HOUSING	FLANGIA CHIUSA		1	
26*		"O" RING Ø1.78X71.12	"O" RING Ø1.78X71.12	F	2	
27	9.850-347.0	ROLLER BEARING	CUSCINETTO A RULLI		2	
28	9.850-212.0	SINGLE - ENDED SHAFT	ALBERO SEMPLICE P.D.F.		1	
29	9.850-446.0	CRANKSHAFT KEY	CHIAVETTA		1	
30	9.851-287.0	OIL DIP STICK	TAPPO LIVELLO OLIO		1	
31*		CRANKSHAFT SEAL	ANELLO RADIALE	F	1	
32	9.850-546.0	SHIM	DISTANZIALE		1	
33	9.850-610.0	BEARING HOUSING I Ø61	FLANGIA I Ø61		1	
34*		PLUNGER SCREW	VITE PISTONE	D-H	3	
35*		COPPER SPACER	ROSETTA RAME	D-H	3	
36*		PLUNGER 20MM	PISTONE Ø20	D	3	
37*		COPPER SPACER	ROSETTA RAME	D	3	
38*		PLUNGER ROD	ASTA PISTONE	H	3	
39*		CONNECTING ROD	BIELLA	H	3	

Item - Pos	Part Number - Codice	Description	Descrizione	KIT	Q.TY per pump - Q.TA per pompa	AQU3020IR
40*		CONNECTING ROD PIN	SPINOTTO	H	3	•
41*		SPRING WASHER Ø6	ROSETTA ELASTICA Ø6	H	6	
42*		CONNECTING ROD SCREW M8X35	VITE M8X35	H	6	
43*		"O" RING Ø 2.62X152.07	"O" RING Ø 2.62X152.07	F	1	
44	9.850-389.0	CRANKCASE COVER	COPERCHIO POSTERIORE		1	
45*		"O" RING Ø1.78X14	"O" RING Ø1.78X14	F	1	
46*		SIGHT GLASS, G3/4	SPIA LIVELLO OLIO G3/4	F	1	
47	9.851-474.0	SCREW M6X16	VITE M6X16		5	