

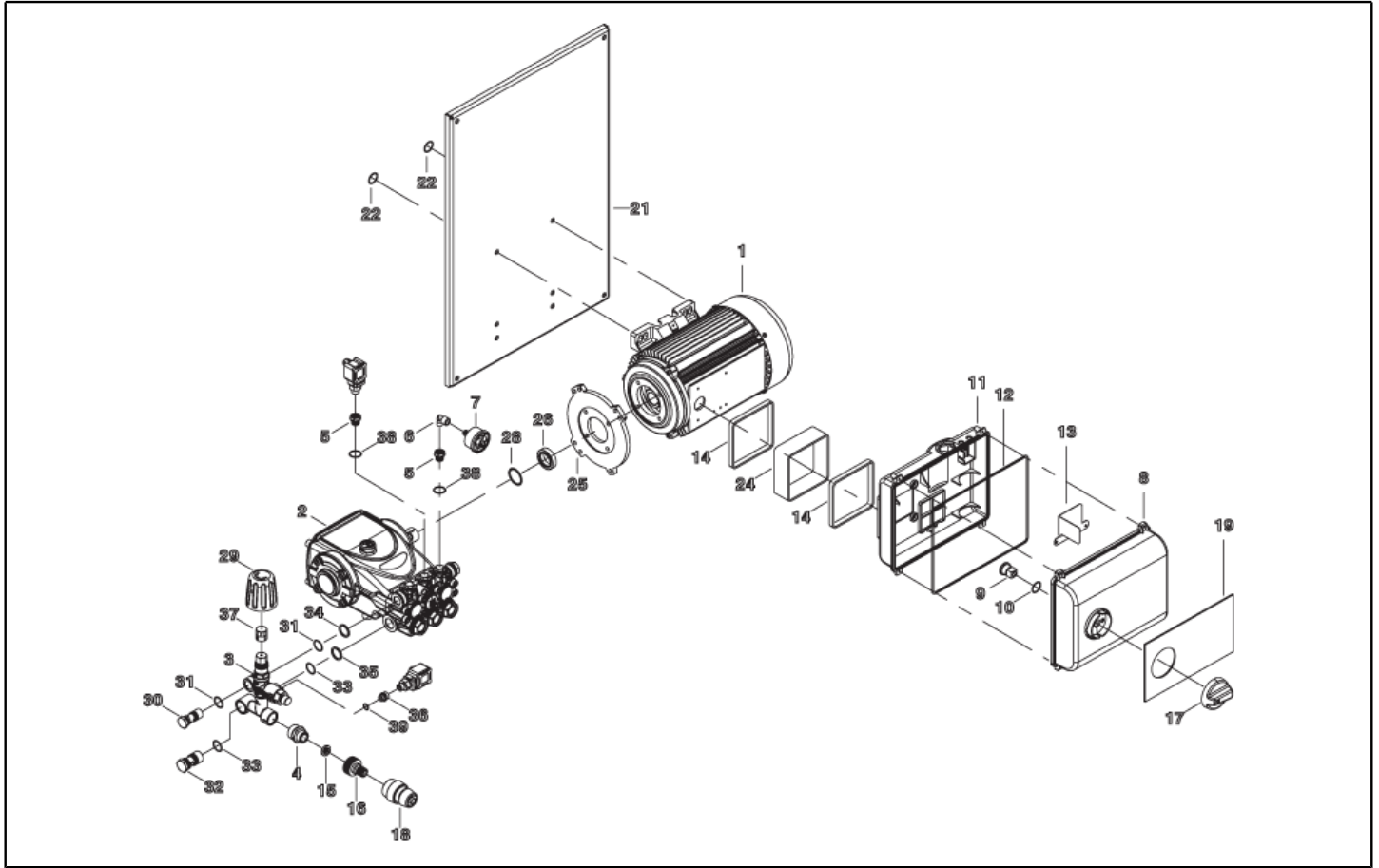


IPC

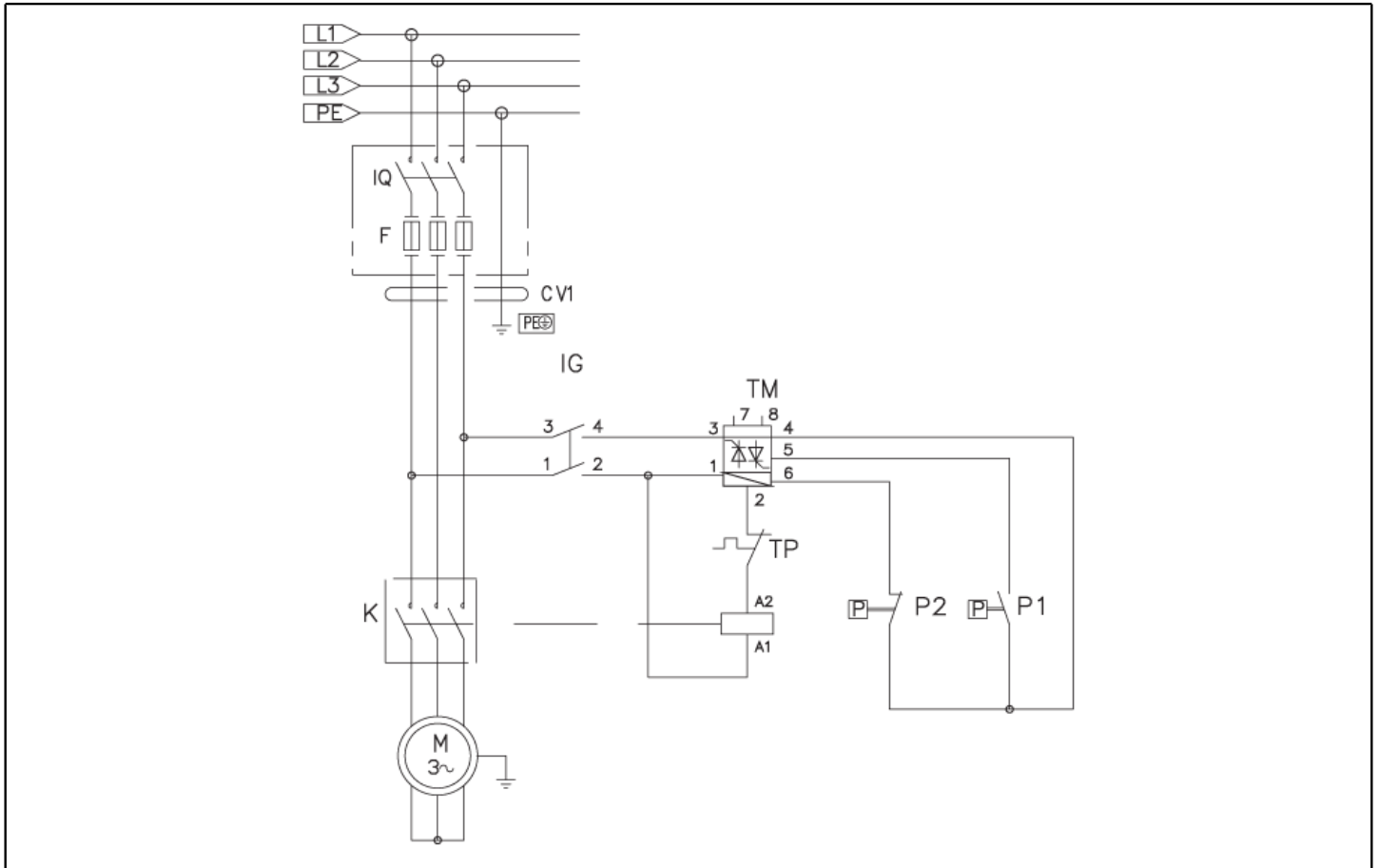
Spare parts list

Ref: PPEL40089

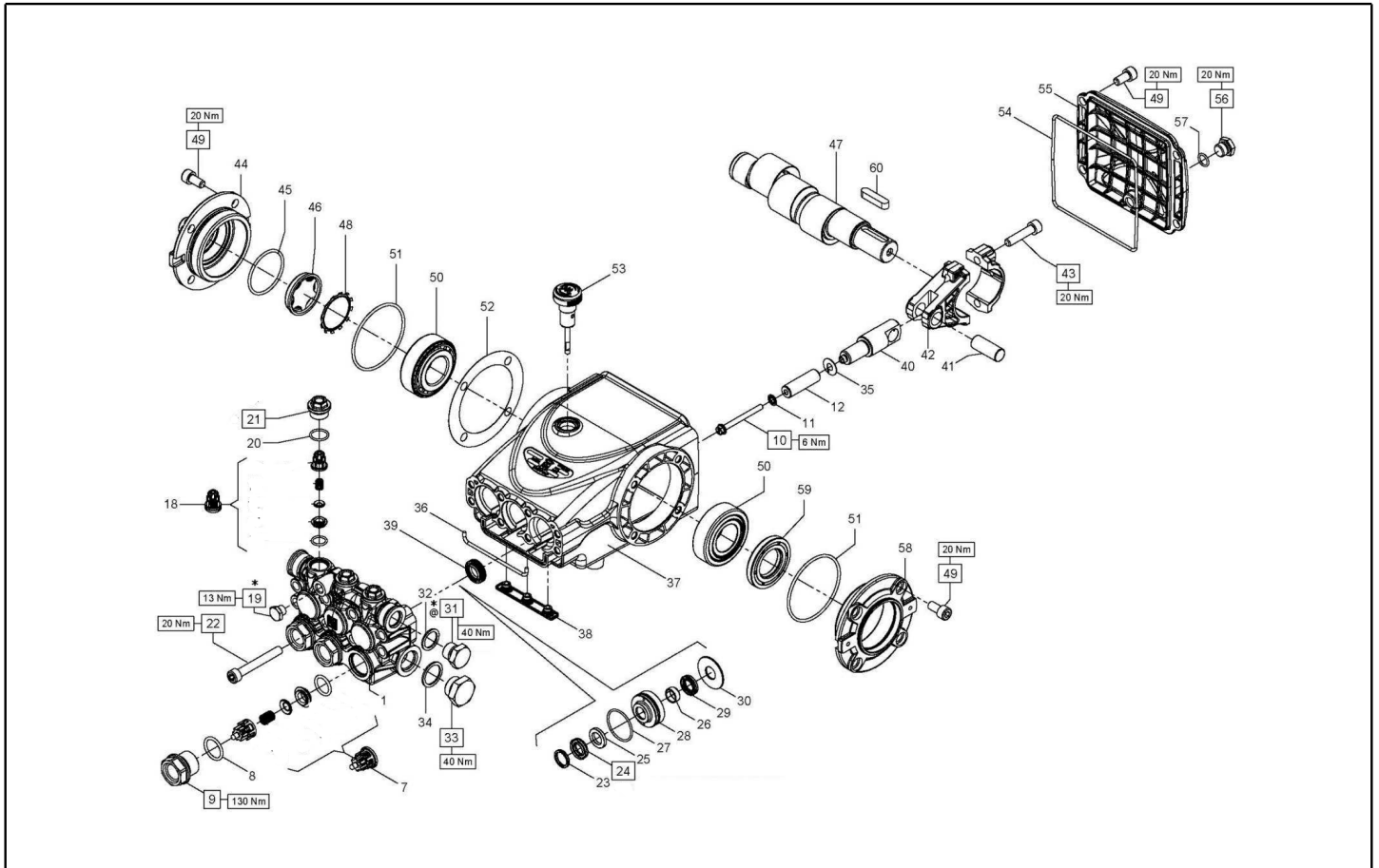
Model: H.P. CLEANER MLC-C D2117Pi T400/50 IRS



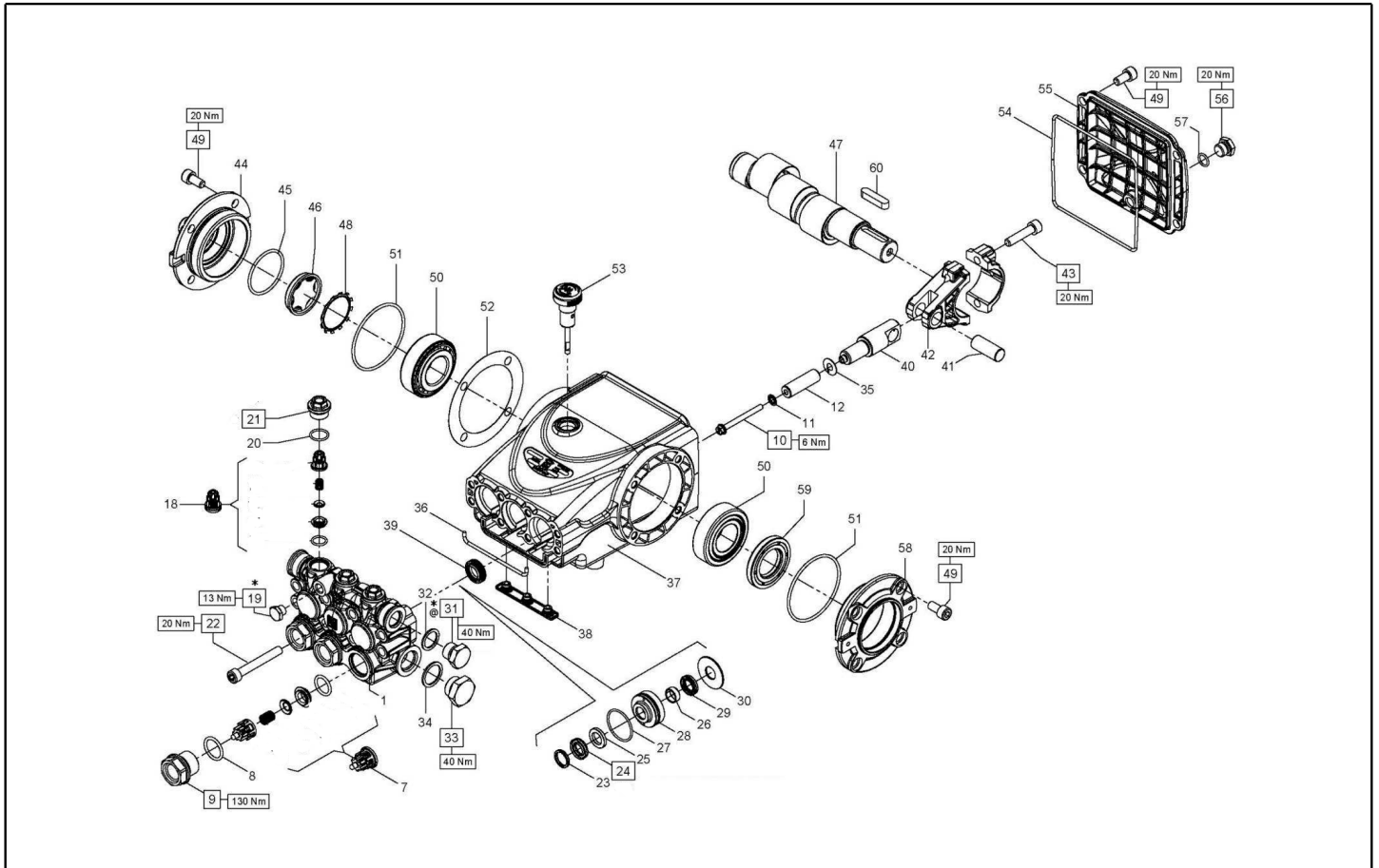
Ref. K	Part n.	Customer part n.	Description	Quantity	Validity		Price
					From	To	
0001	MOTR40030		3PH MOTOR C50 HP7.5 23-400/50C RR/K	1,00			--
0002	PPAP40130		PUMP "E3" B 2515 DX O.NK.	1,00			--
0003	VVAZ40083		VALVE VRF-2 EVO PPr.S/IN.M22	1,00			--
0004	RCDS87610	00087610	NIPPLE 3/4 - 1/2 CB D.13.0	1,00			--
0005	PVVR40495		CAP M18X1.5X10 + 1/8" F E.NK	2,00			--
0006	RCVR34780	00034780	ELBOW 1/8" M/F A10	1,00			--
0007	MNMN18650	00018650	PRESSURE GAUGE 0-300 D.40	1,00			--
0008	MPVR40335		BOX COVER PW-C40 ABS BK.	1,00			--
0009	MPVR23482	00023482	SWITCH TANG TEC. TUV	1,00			--
0010	GUGO25527	00025527	O-RING D. 14 X 3 NBR 70SH	1,00			--
0011	MPVR40669		CONTROL BOX PW-C50 MP/DS ABS BK.	1,00			--
0012	GUGO33675	00033675	JOINT MOUSSE D. 4	0,90			--
0013	LAFN40830		SUPPORT PW-C85 INX	1,00			--
0014	GUGO10881	00010881	GASKET M.EL. 73X73	1,00			--
0014	GUGO10881	00010881	GASKET M.EL. 73X73	1,00			--
0015	FTDT12702	00012702	FILTER PA	1,00			--
0016	RCVR29600	00029600	SOCKET PTC 3/4 F	1,00			--
0017	MPVR49057	00049057	BLACK KNOB P176-M.RACE PA6	1,00			--
0018	RCVR29602	00029602	CONNECTOR D. 1/2"-5/8" PTC	1,00			--
0019	ETET40714		LABEL GR. MPU-C IPC	1,00			--
0021	LAFN40673		SUPPORT BRACKET MPU-C AL.	1,00			--
0022	MPVR37393	00037393	RUBBER D. 10-30 L=13 70SH PRM	4,00			--
0024	MPVR13033	00013033	SPACER SIC H90	1,00	10/04/2016		--
0025	MFVR21735	00021735	COUNTERFLANGE MEC 112 2.V	1,00			--
0026	RCDS40113		BUSHING IP W15.C50 OT	1,00			--
0028	GUGO40021		O-RING D. 39.34 X 2.62 VIT 70SH	1,00			--
0029	MPVR40589		BLACK KNOB ST 260 IPC	1,00			--
0030	RCDS40172		SCREW 3/8 VRF-2 OT 4F.	1,00			--
0031	GUGO03510	00003510	O-RING D. 12.37 X 2.62 NBR 70SH	2,00			--
0032	RCDS40171		SCREW G 1/2 VRF-2 OT. 2F.	1,00			--
0033	GUGO01048	00001048	O-RING D. 15.88 X 2.62 NBR 70SH	2,00			--
0034	VTRS00548	00000548	WASHER D.17,5X23X1,5 (3/8)RM	1,00			--
0035	VTRS00549	00000549	WASHER D.21,5X27X1,5 (1/2) RM	1,00			--
0036	RCVR89164		SLEEVE 1/8 M/F A5	1,00			--
0037	PVVR40273		ADAPTER VRF-2 RG.	1,00			--
0038	GUGO03505	00003505	O-RING D. 15.6 X 1.78 NBR 70SH	2,00			--
0039	VTRS63256	00063256	WASHER D.10,3X16X1,5 1/8 RM	1,00			--
9999	UGLN49987	00049987	NOZZLE LECH 1/4 15045	1,00			--



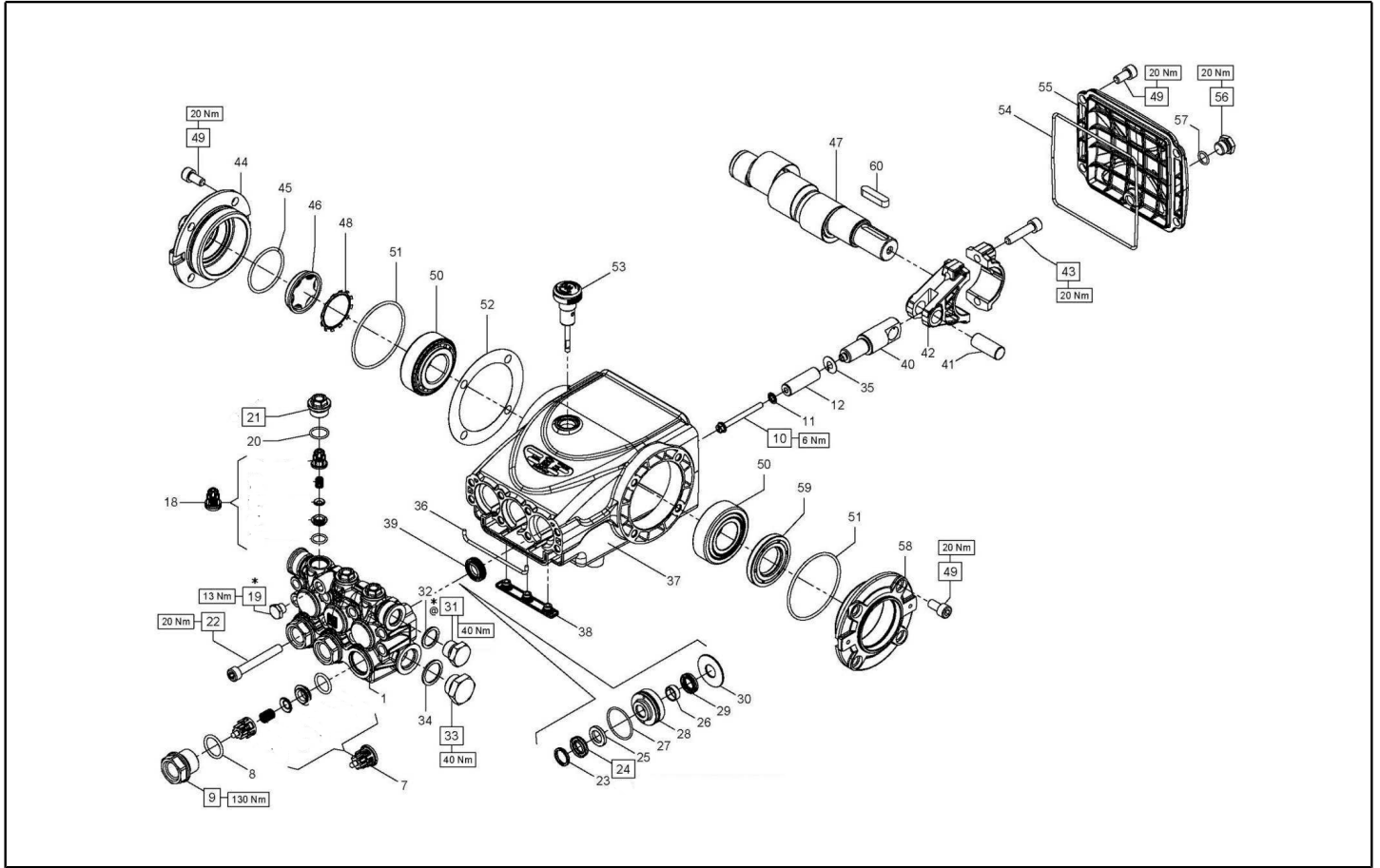
Ref. K	Part n.	Customer part n.	Description	Quantity	Validity		Price
					From	To	
K	METT40013		CONTACTOR SIE 3RT 2017-1AV01 400V	1,00			--
IG	MECI40020		SWITCH BRM BP. 0-1 12A	1,00			--
TM	METY40003		TIMER THV/1 400-5/60 30S.2P	1,00			--
CV1	MECB89888		CABLE H07 RNF 4X2.5 L=6.500	1,00			--
P1,2	MEPF40036		PRESSURE SWITCH MTM 1/8M NA/NC 15B. MICRO	2,00			--



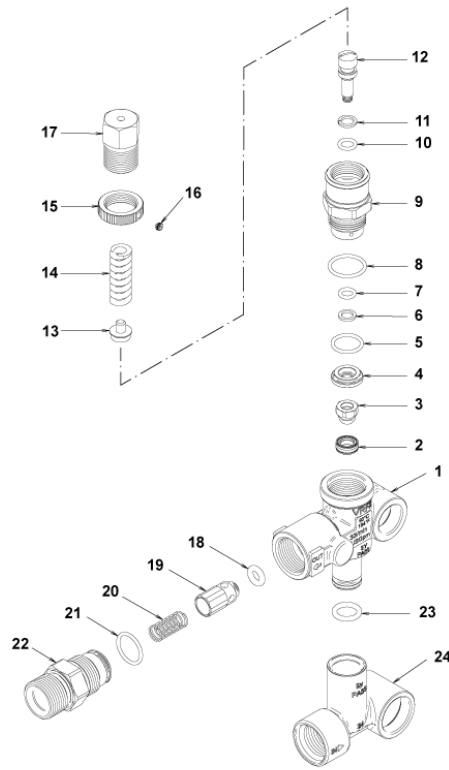
Ref. K	Part n.	Customer part n.	Description	Quantity	Validity		Price
					From	To	
0001	MFVR40074		HEAD "59" E3 D.20 O.NK.	1,00			--
0007	S VVAM28467	00028467	VALVE UNIT "44" WW136-186	3,00			--
0008	S GUGO01033	00001033	O-RING D. 20.24 X 2.62 NBR 90SH	3,00			--
0009	S RCDS40245		CAP M24X1.5X16.7 "59" NK.	3,00			--
0010	VTVT00679		SCREW TE M 5X 55 UNI 5737 ZC	3,00			--
0011	VTRS40037		WASHER D. 5.0X11.5X0.4	3,00			--
0012	PIVR40019		PISTON D.20X42 "59"	3,00			--
0018	S VVAM40009		VALVE UNIT "58" E2-MD.	3,00			--
0019	RCDS40248		CAP G 1/8 X8 NK.	1,00			--
0020	S GUGO03505	00003505	O-RING D. 15.6 X 1.78 NBR 70SH	3,00			--
0021	S PVVR40492		CAP M18X1.5X10 EVO.OT	3,00			--
0022	VTVT01121	00001121	SCREW TCEI 8X60 UNI5931	8,00			--
0023	S PVVR40504		HEAD RING D. 20 "59"	3,00			--
0024	S GUVVR40106		PACKING D. 20 H.P. "59"	3,00			--
0025	S GUVVR40107		ANTI-EXTR.RING D.20 X30 X2	3,00			--
0026	S PVVR40505		PACKING RETAIN. D. 20 "59E3"	3,00			--
0027	S GUGO01039	00001039	O-RING D. 31.47 X 1.78 NBR 70SH	3,00			--
0029	S GUVVR89473		PACKING D. 20 L.P. "66"	3,00			--
0030	S PVVR40506		RING D.20 "59"	3,00			--
0031	RCDS40246		CAP 3/8X13 M NK.	1,00			--
0032	VTRS01074	00001074	WASHER D.17.05X22.3 X1,5	1,00			--
0033	RCDS40247		CAP 1/2X10 M NK.	1,00			--
0034	VTRS00549	00000549	WASHER D.21,5X27X1.5 (1/2) RM	1,00			--
0035	VTRS40038		WASHER D. 7.5X23 X0.5	3,00			--
0036	GUVVR40108		GASKET D. 3X103	1,00			--
0037	MFVR40075		PUMP CRANKCASE "59" E3	1,00			--
0038	PVVR40499		PROTECTION INF. "58"	1,00			--
0039	S GUGO40076		OIL SEAL 15X 24X 5/7 NBR70	3,00			--
0040	PVVR40507		PISTON GUIDE "59" EVO.3	3,00			--
0041	PVVR40508		GUDGEON D.14X34 "59"	3,00			--
0042	BLVR40009		CONNECTING ROD "59" EVO.3	3,00			--
0043	VTVT01120	00001120	SCREW TCEI 8X35 UNI5931	6,00			--
0044	MFVR40076		CRANKASE COVER "59" LT.SP.	1,00			--
0045	GUGO03503	00003503	O-RING D. 39.34 X 2.62 NBR 70SH	1,00			--
0046	PVVR40102		OIL INDICATOR KE24	1,00			--
0047	ALMO40041		SHAFT "59" N C.12	1,00			--
0048	VTAE40008		SEEGER ZJ45 0,5 X45,55X35,0	1,00			--
0049	VTVT01118	00001118	SCREW TCEI M 8X16 ZC. UNI 5931	12,00			--
0050	CUVR09205	00009205	ROLLER BEARING 32206 A	2,00			--
0051	GUGO01041	00001041	O-RING D. 67.95 X 2.62 NBR 70SH	2,00			--
0052	PVVR40509		THICKNESS EVO.3 0,3 D.74.5	1,00			--
0052	PVVR40510		THICKNESS EVO.3 0,1 D.74.5	1,00			--
0053	PVVR40501		OIL DIPSTICK G 3/8" X51	1,00			--
0054	GUGO34590	00034590	O-RING D. 133.02 X 2.62 NBR 70SH	1,00			--



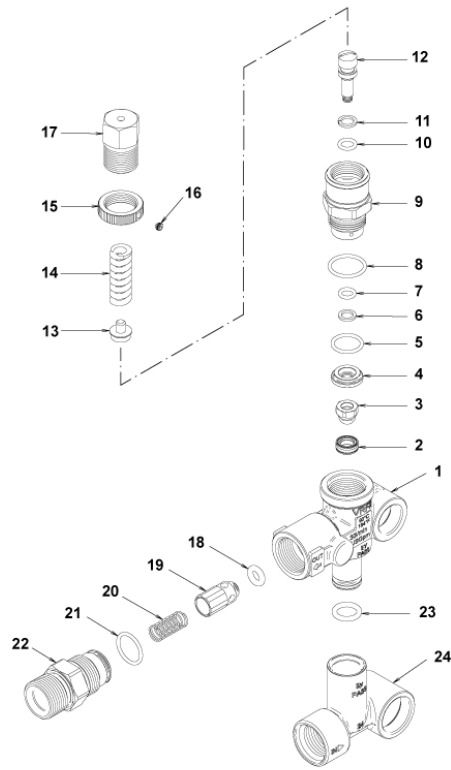
Ref. K	Part n.	Customer part n.	Description	Quantity	Validity		Price
					From	To	
0055	MFVR40077		CRANKASE COVER "59" EVO.3	1,00			--
0056	PVVR40502		CAP 1/4X 9 M TE17 ZC	1,00			--
0057	GUGO01036	00001036	O-RING D. 10.82 X 1.78 NBR 70SH	1,00			--
0058	MFVR40078		CRANKASE COVER "59" EVO.3 LT.AB.	1,00			--
0059	GUGO01003	00001003	OIL SEAL 30X 55X 7 NBR70	1,00			--
0060	VTVR09510	00009510	KEY 8X7X35	1,00			--



Ref. Part n.	Cust. part n.	Description	Reference	Price
KTRI40404		KIT P 15-269 EVO.2	0007 0018	--
KTRI40409		KIT P 15-292 EVO.3 NK.	0008 0009 0020 0021	--
KTRI40406		KIT P 15-271 EVO.2	0039	--
KTRI40410		KIT P 15-285 D.20 EVO.3	0023 0024 0025 0027 0029	--
KTRI40411		KIT P 15-290 D.20 EVO.3	0023 0024 0025 0026 0027 0029 0030	--



Ref. K	Part n.	Customer part n.	Description	Quantity	Validity		Price
					From	To	
0001	PVVR40375		VALVE BODY VRF2 +G1/8 F	1,00			--
0002	S PVVR40363		VALVE SEAT MV124 +OR	1,00			--
0003	S PVVR40364		COUPLING MV124	1,00			--
0004	S PVVR40365		SPACER MV124	1,00			--
0005	S GUGO12322	00012322	O-RING D. 14 X 1.78 NBR 90SH	1,00			--
0006	S GUVR40072		ANTI-EXTR.RING D. 6.5X 9.4	1,00			--
0007	S GUGO83861		O-RING D. 6.07 X 1.78 NBR 90SH	1,00			--
0008	S GUGO24913	00024913	O-RING D. 17.17 X 1.78 NBR 90SH	1,00			--
0009	S PVVR40366		CONNECTOR VRF2 D.10	1,00			--
0010	S GUGO03500	00003500	O-RING D. 6.75 X 1.78 NBR 70SH	1,00			--
0011	S GUVR40073		ANTI-EXTR.RING D. 7.1X10 X1.2 TBT	1,00			--
0012	S PVVR40367		SMALL PISTON D.10 VRF2	1,00			--
0013	PVVR40368		SPRING PLATE MV124 25B	1,00			--
0014	MLML40027		SPRING D. 3.0/6.0 X38.85	1,00			--
0015	PVVR40369		RING NUT MV167.09	1,00			--
0016	VTVT89696		SCREW EI-ST 4X 4 UNI5927 ZC	1,00			--
0017	PVVR40370		CAP VRF2 M18X1	1,00			--
0018	S GUGO46053	00046053	O-RING D. 6 X 3 NBR 90SH	1,00			--
0019	S PVVR40349		COUPLING VRT3	1,00			--
0020	S MLML40026		SPRING VRT3	1,00			--
0021	S GUGO12321	00012321	O-RING D. 15.6 X 1.78 NBR 90SH	1,00			--
0022	PVVR40374		CONNECTOR VRT3 M22 M	1,00			--
0023	S GUGO11225	00011225	O-RING D. 10.78 X 2.62 NBR 70SH	1,00			--
0024	PVVR40503		CONNECTOR VRF2.19 EVO.	1,00			--



Ref. Part n.	Cust. part n.	Description	Reference	Price
KTRI40236		KIT P 14-103 VRF2	0002 0003 0004 0005 0006 0007 0008 0009 0010 0011 0012 0018 0019 0020 0021	--
KTRI40237		KIT P 14-104 SEAL VRF2	0002 0003 0005 0006 0007 0008 0010 0011 0018 0021	--