

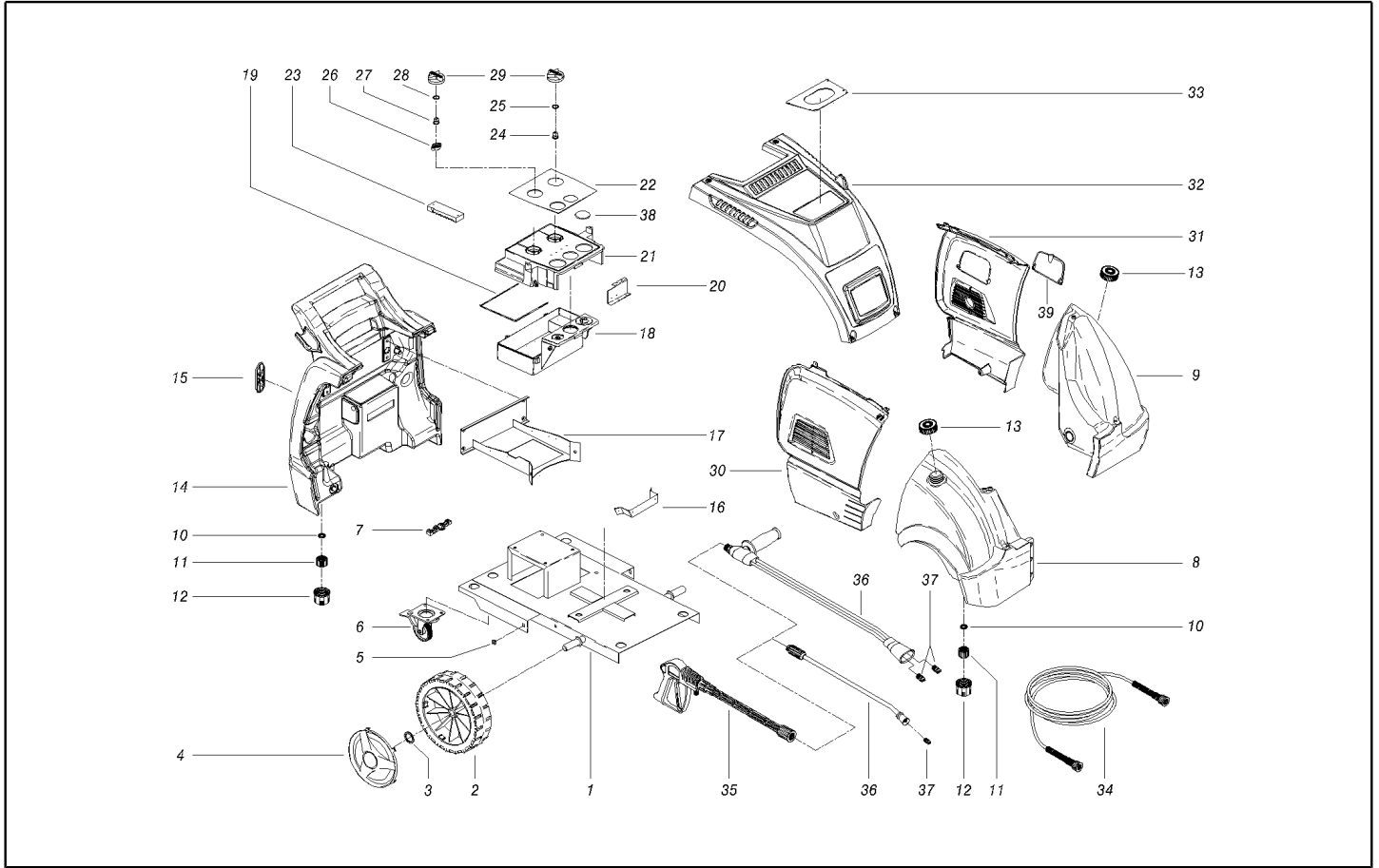


IPC

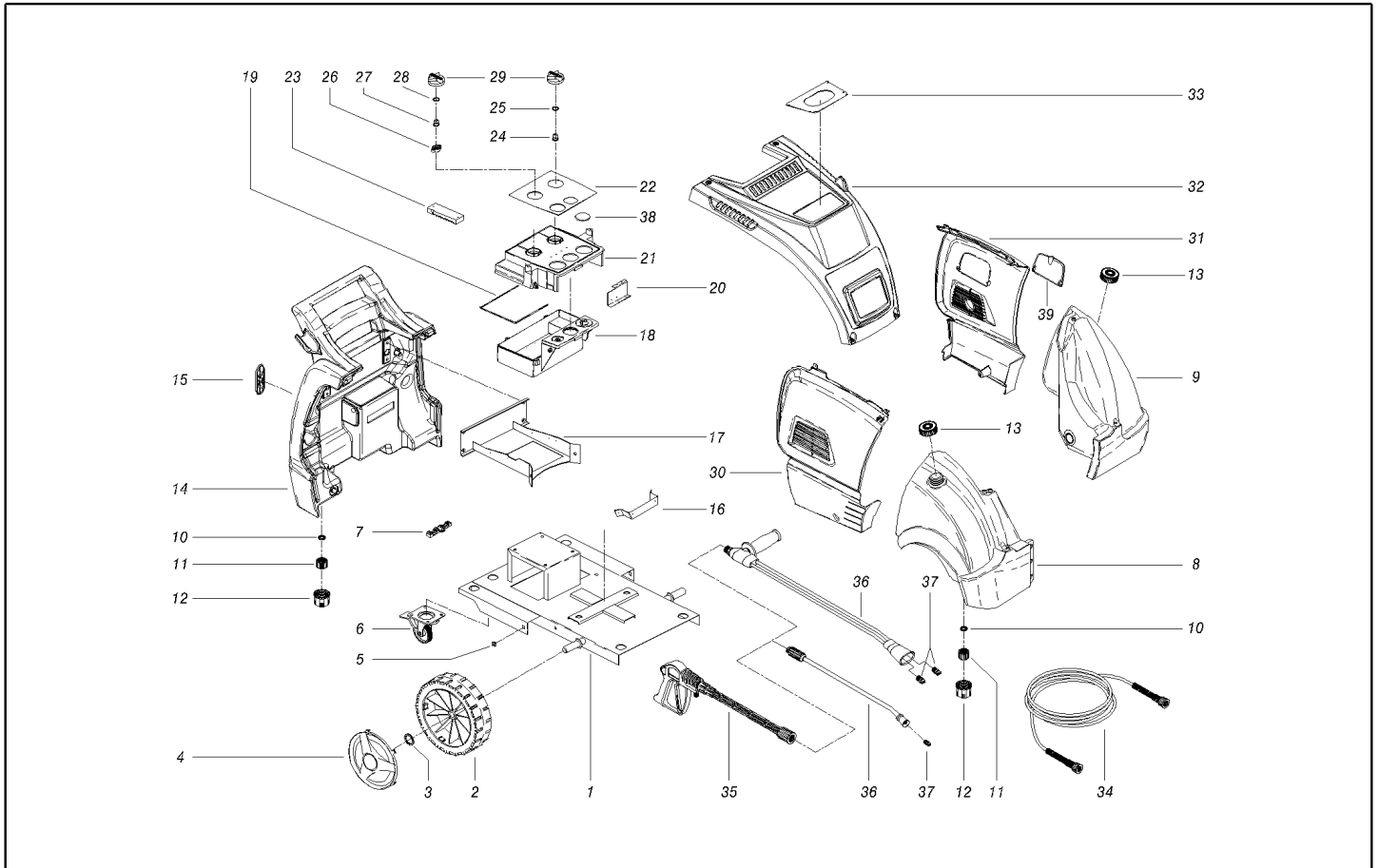
Spare parts list

Ref: IDAC47354

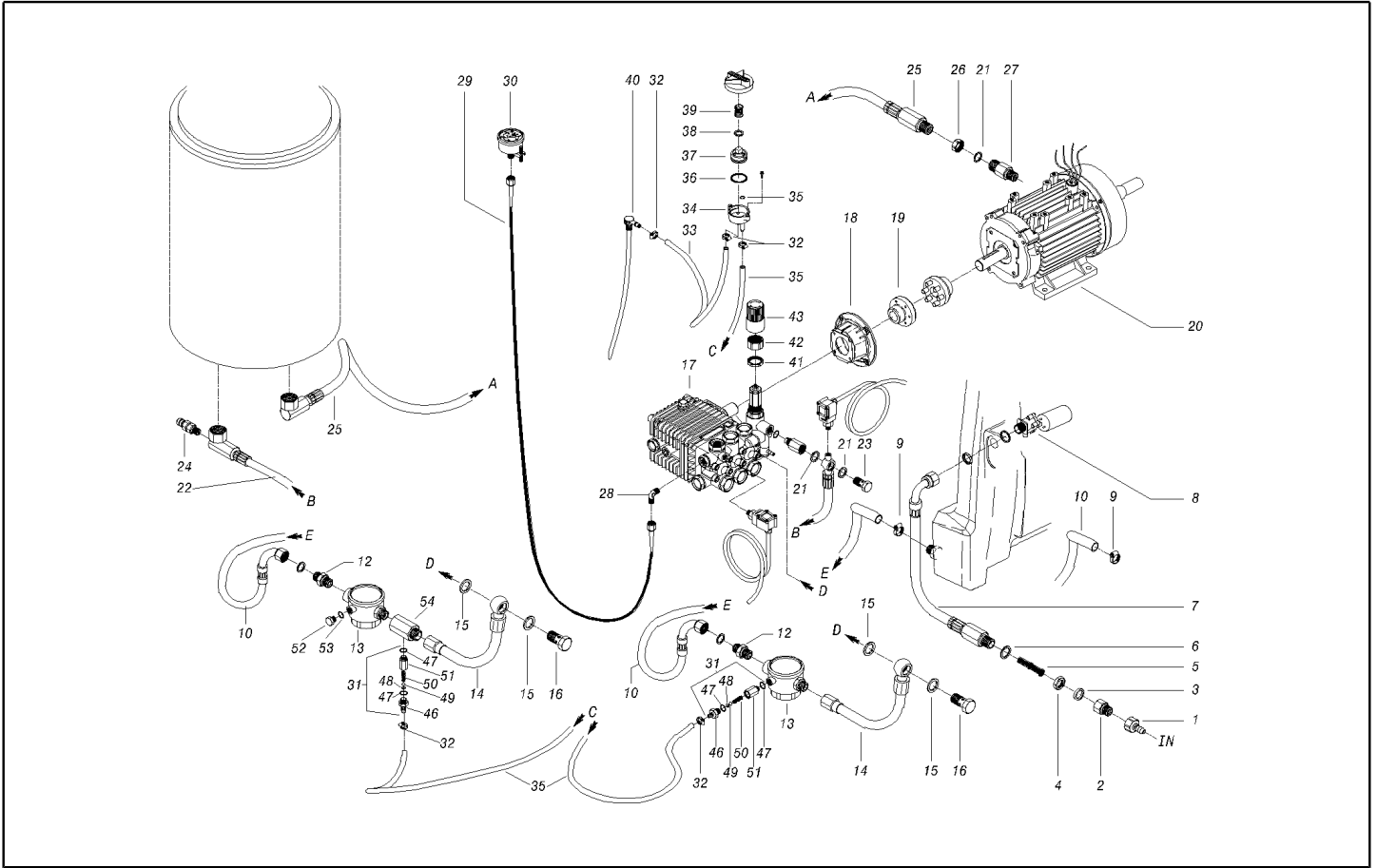
Model: H.P. CLEANER OPTIM.CMP 149M 230/50 PRT



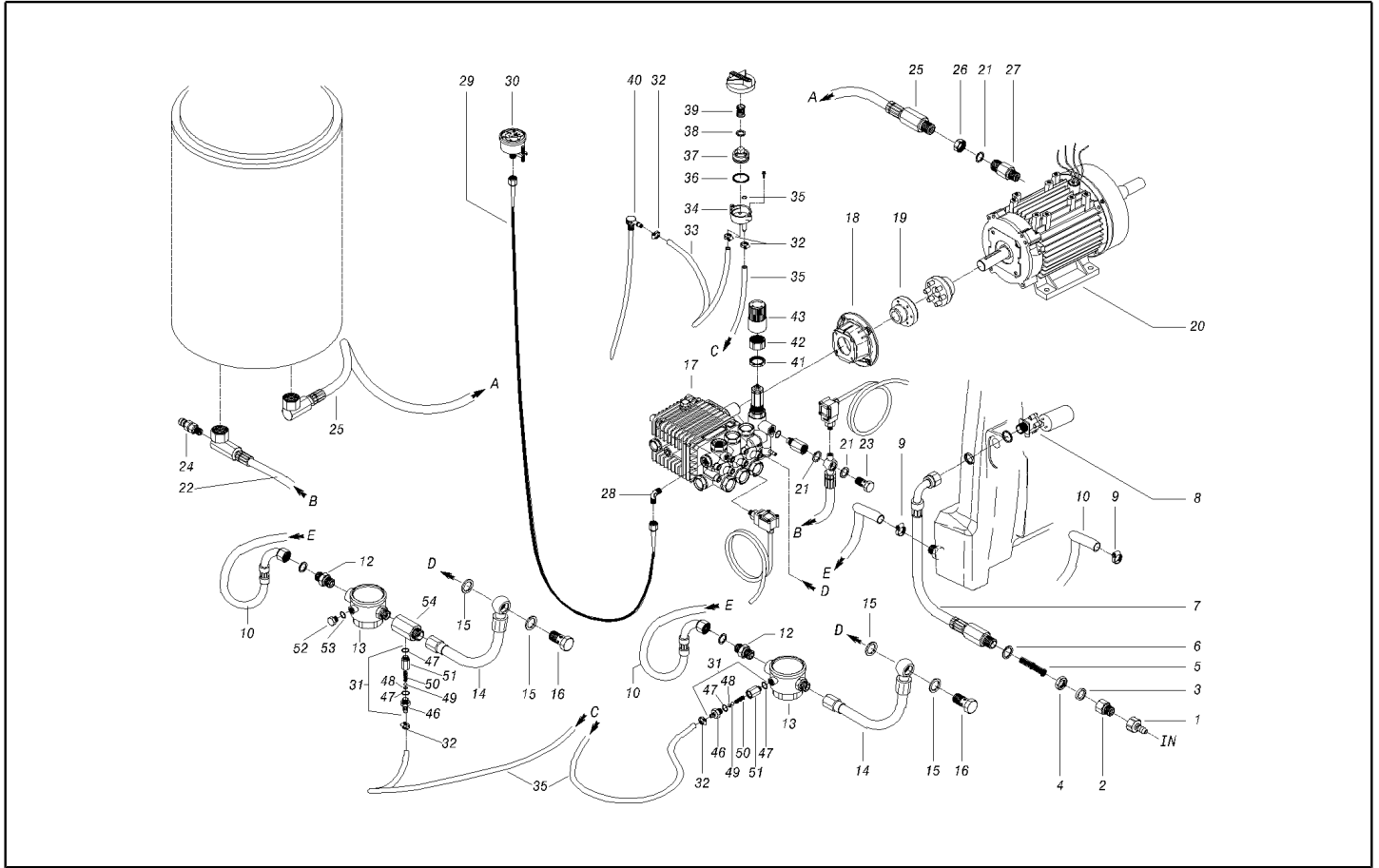
Ref. K	Part n.	Part n. 2	Description	Quantity	Validity		Price
					From	To	
0001	LAFN40011		CHASSIS P176 2V.	1,00	15/09/2006		--
0001	LAFN44888		CHASSIS P176	1,00		14/09/2006	--
0002	RTRT40046		WHEEL D.300-D.25 FLY-IPC BK/RED	2,00	15/10/2015		--
0002	RTRT45383		WHEEL D.305-D.25 RT-IPC	2,00		14/10/2015	--
0003	VTRS09813		WASHER D.25	2,00			--
0004	MPVR40735		HUB CAP D.50 G-48/IPC RD.	2,00	15/10/2015		--
0004	MPVR45384		RED WHEEL COVER D. 305 RT-PRT	2,00		14/10/2015	--
0005	VTDD46044		NUT M 6 GB. 1.7X 2.5 ZT	2,00			--
0006	RTRT13708		TURNING WHEEL D.125 P. MZ.PLS	1,00			--
0007	MEVR20906		CABLE CLAMP KSM	1,00			--
0008	MPVR47393		FUEL TANK P176-S/CTR.LIV. PEHD	1,00			--
0009	MPVR46913		TANK P176-S/CTR.LV.PEHD	1,00			--
0010	GUGO11489		GASKET D.22X1,5	2,00		07/01/2004	--
0010	GUGO49900		GASKET D. 23- 35 X 3.0 A.OLIO	2,00	08/01/2004	21/12/2005	--
0010	GUGO11489		GASKET D.22X1,5	4,00	22/12/2005		--
0011	PVVR11806		DISCHARGE CAP FLL	2,00			--
0012	MPVR20187		RING NUT M 39 X 3	2,00			--
0013	MPVR45426		TANK CAP P176 PEHD	2,00			--
0014	MPVR40227		HANDLE P176-OPT C/SRB.-EN PEHD	1,00	20/01/2011		--
0014	MPVR45429		HANDLE P176-OPTIMA C/SRB. PEHD	1,00		19/01/2011	--
0015	MPVR45452		CAP P176 PP RED	2,00			--
0016	LAFN47470		SUPPORT P176-2V.	1,00			--
0017	LAFN47466		SUPPORT P176-2V.	1,00		24/10/2005	--
0017	LAFN89452		SUPPORT P176-3V.	1,00	25/10/2005		--
0018	MPVR47707		CONTROL BOX P176-2 CMP/MO. ABS	1,00			--
0019	GUGO11309		JOINT MOUSSE D. 3	1,20		01/04/2003	--
0019	GUGO33675		JOINT MOUSSE D. 4	0,97	02/04/2003		--
0021	MPVR47415		BOX COVER P176-2 ABS	1,00			--
0022	ETET47388		LABEL P176-OPTIMA/CMP PVC R	1,00			--
0023	MPVR33250		CABLE CLAMP COV MISTRAL	1,00			--
0024	MPVR23482		SWITCH TANG TEC. TUV	1,00			--
0025	GUGO23079		V-SEAL RING VA0014 13.5- 15.5	1,00			--
0026	MPVR41903		THICKNESS TERM.IM.PA66	1,00			--
0027	MPVR23484		TAIL PIECE THERM.KSM TUV	1,00			--
0028	GUGO25527		O-RING D. 14 X 3 NBR 70SH	1,00			--
0029	MPVR20190		GREY KNOB KSM	3,00		15/11/2007	--
0029	MPVR46511		GREY KNOB KSM C/F.FIS.	3,00	16/11/2007		--
0030	MPVR45796		LAT. PANEL P176 DX RD	1,00			--
0031	MPVR45795		LAT. PANEL P176 SX RD	1,00		19/12/2002	--
0031	MPVR48302		LAT. PANEL P176 SX 2V.RD	1,00	20/12/2002		--
0032	MPVR45881		RED COVER P176-OPTIMA PP	1,00			--
0033	LAFN45454		PANEL P176-OPT INX	1,00			--
0034	TBAP28305		H.P. HOSE SAE MT 8 D.6 IRV F-F KSM	1,00		31/12/2003	--
0034	TBAP48829		H.P. HOSE R1 MT 8 1/4" C/2 IRV IX	1,00	01/01/2004	14/03/2007	--



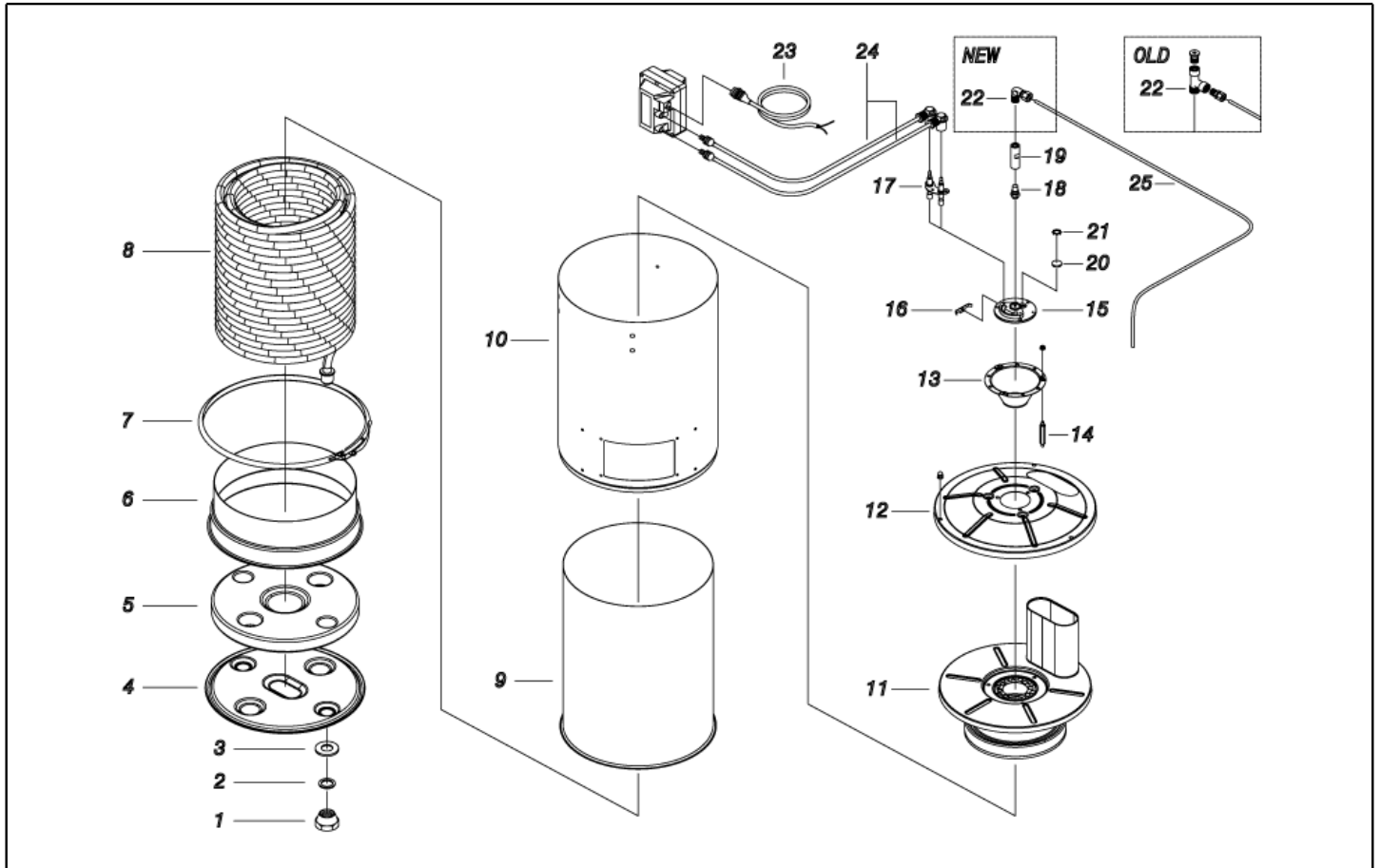
Ref. K	Part n.	Part n. 2	Description	Quantity	Validity		Price
					From	To	
0034	TBAP40012		H.P. HOSE R1 MT 10 1/4" C/2 IRV IX	1,00	15/03/2007		--
0035	IPPR43065		GRIP G 2200 +PR.330 +M22 M	1,00		30/11/2004	--
0035	IPPR45298		GRIP G 4500 - P 330 - M22 M V	1,00	01/12/2004	14/03/2007	--
0035	IPPR89429		GRIP G 4500 - P.330 -M22SW.M V	1,00	15/03/2007	15/04/2014	--
0035	IPPR40010		GRIP G 5100+P.330 +M22 SW.M V	1,00	16/04/2014	29/02/2016	--
0035	IPPR40020		GRIP G 6000+P.330 +M22 SW.M V	1,00	01/03/2016	14/06/2018	--
0035	IPPR40025		GRIP G 6000+P.330 +M22 SW.M 2V	1,00	15/06/2018		--
0036	LCPR12976		EXTENSION P 70	1,00	19/07/2006	30/11/2016	--
0036	LCPR40087		EXTENSION P 70 -P20.IX700 M22 M	1,00	01/12/2016		--
0037	UGLN11195		NOZZLE LECH 1/4 25035	1,00		18/07/2006	--
0037	UGLN49990		NOZZLE LECH 1/4 25034	1,00	19/07/2006		--
0038	MPVR47727		CAP P176 RES.BK	1,00			--
0039	MPVR48402		RED THROTTLE P176 PP	1,00	20/12/2002		--
0040	MEVR27264		FUSE-HOLDER 031-1081	1,00			--
9999	KTRI16996		KIT P 33- 1	1,00	07/01/2003		--



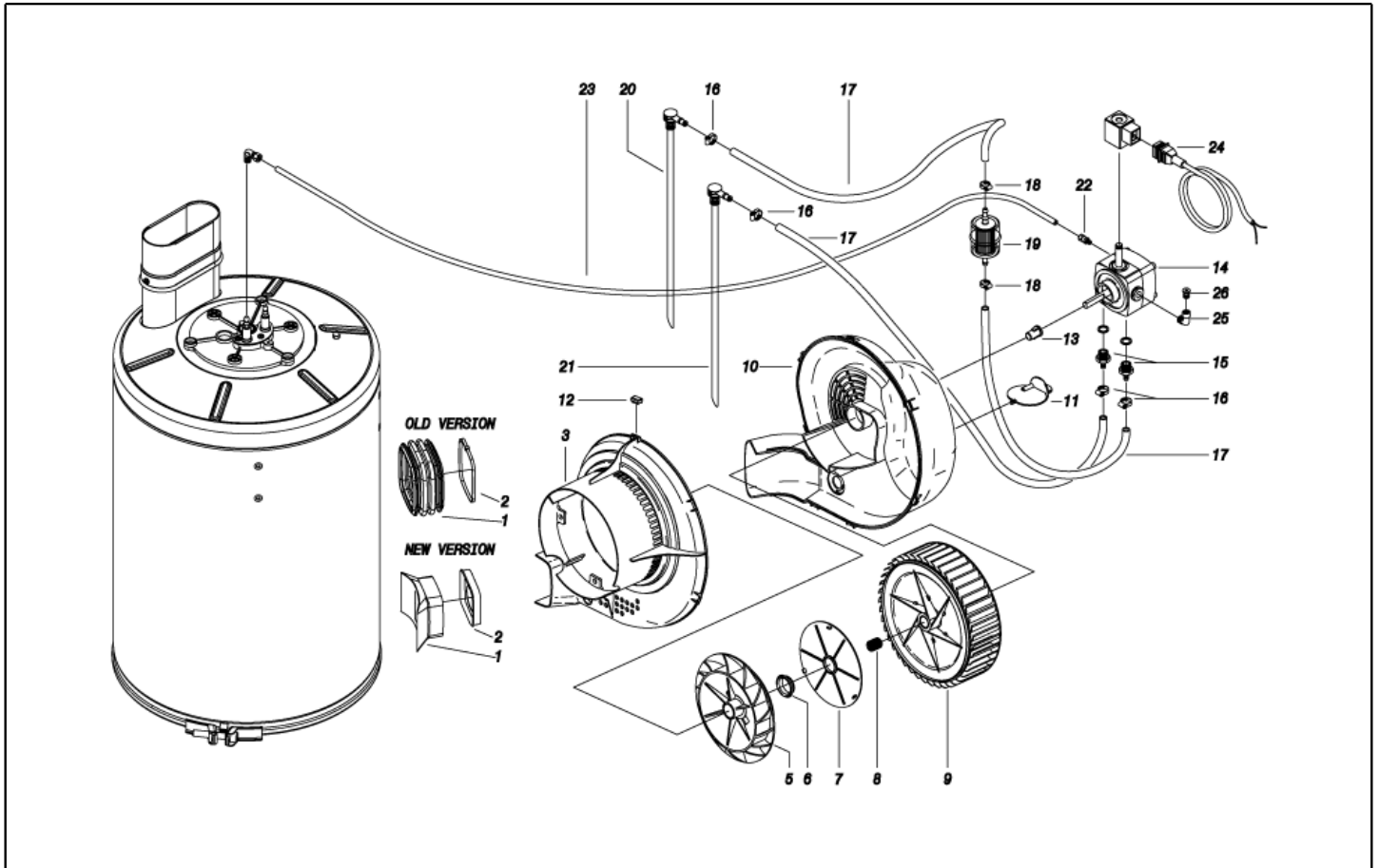
Ref. K	Part n.	Part n. 2	Description	Quantity	Validity		Price
					From	To	
0001	RCVR29600		SOCKET PTC 3/4 F	1,00			--
0002	RCVR37806		REDUCTION PTC 3/4-1/2 M/F	1,00			--
0003	GUGO37736		GASKET D. 10-19 X 5 70SH	1,00			--
0004	RCDS21223		RING NUT 1/2" X 5 NIK	1,00		30/11/2003	--
0004	RCDS49875		RING NUT 1/2" X 6 CH.27 OT.	1,00	01/12/2003		--
0005	FTAC30214		FILTER D.15X67	1,00			--
0006	VTRS00549		WASHER D.21,5X27X1.5 (1/2) RM	1,00			--
0007	GUGO89255		GASKET D. 17.5-24 X 2 EPDM	1,00	22/06/2005		--
0007	TBBP46227		L.P. HOSE L= 650 3/4F 90°- 1/2M	1,00		19/01/2011	--
0007	TBBP48636		L.P. HOSE L= 950 3/4F 90°- 1/2M 0°	1,00	20/01/2011		--
0008	RCGR60703		FLOATER MTM 3/4 PP. S/F.	1,00		19/01/2011	--
0008	RCGR40005		FLOATER MTM 3/4 PP. S/F. +ADP.176	1,00	20/01/2011		--
0008	RCVR49974		RING NUT 3/4" X 4 NIK	1,00	20/01/2011		--
0009	FSVR00431		CLAMP D. 16-25	1,00			--
0010	TBBP87602		L.P. HOSE L=350 3/4F 90°-LB.	1,00			--
0012	RCDS46142		NIPPLE 3/4 - 1/2 CB D. 6.0	1,00		16/01/2004	--
0012	RCDS87610		NIPPLE 3/4 - 1/2 CB D.13.0	1,00	17/01/2004		--
0013	FTAC46472		WATER FILTER 1/2 MF	1,00	20/02/2002	03/12/2004	--
0013	FTAC73009		WATER FILTER 1/2 MF	1,00	04/12/2004		--
0014	RCDS45446		TUBE D.16X2 90° OC.1/2"-G 1/2F	1,00			--
0015	VTRS12491		WASHER 1/2	2,00		30/11/2015	--
0015	VTRS40027		WASHER 1/2 ZC + NBR 85SH	2,00	01/12/2015		--
0016	RCDS16328		SCREW G 1/2 D.8	1,00			--
0017	PPAP47387		PUMP IP W1210N DX T.OT.INT.	1,00			--
0018	MFVR44328		COUNTERFLANGE H100 P176	1,00			--
0019	FGGT45424		FLEX. COUPLING W 1 2PZ. P176	1,00			--
0020	MOMO45408		1PH MOTOR P176 HP 3 230-504P H100	1,00		04/07/2002	--
0020	MOMO46917		1PH MOTOR P176 HP 3 230-504P SG	1,00	05/07/2002	31/03/2005	--
0020	MOMO88842		1PH MOTOR P176 HP 3 230-504P SG-D	1,00	01/04/2005	03/07/2006	--
0020	MOMO46917		1PH MOTOR P176 HP 3 230-504P SG	1,00	04/07/2006		--
0020	MOMO46917		1PH MOTOR P176 HP 3 230-504P SG	1,00	04/07/2006	31/12/2012	--
0020	MOMO88842		1PH MOTOR P176 HP 3 230-504P SG-D	1,00	01/01/2013		--
0021	VTRS12492		WASHER 3/8	2,00		30/11/2015	--
0021	VTRS40026		WASHER 3/8 ZC + NBR 85SH	2,00	01/12/2015		--
0022	TBAP47426		HOSE-FITTING 3/ 8 R1 L=640 3/8O+1/8F-P	1,00		18/09/2012	--
0022	TBAP47426		HOSE-FITTING 3/ 8 R1 L=640 3/8O+1/8F-P	1,00	19/09/2012		--
0023	RCDS01371		SCREW G 3/8 A.P.	1,00			--
0024	VVSC39719		VALVE MG 2000 G1/4M 150B MIGNON	1,00		14/12/2004	--
0024	VVSC47427		VALVE MG 1000 G1/4M-M D.8 250B	1,00	15/12/2004	22/11/2005	--
0024	VVSC89643		VALVE MG 1000 G1/4M-M D.8 200B	1,00	23/11/2005	18/09/2012	--
0024	VVSC89643		VALVE MG 1000 G1/4M-M D.8 200B	1,00	19/09/2012		--
0025	TBAP46228		HOSE-FITTING 3/ 8 VP L=485 M26+3/8F-P.	1,00			--
0026	RCDS21120		RING NUT M 26 X 1.5	1,00			--
0027	RCIN09348		MALE COUPLING 3/8MA L=32	1,00			--



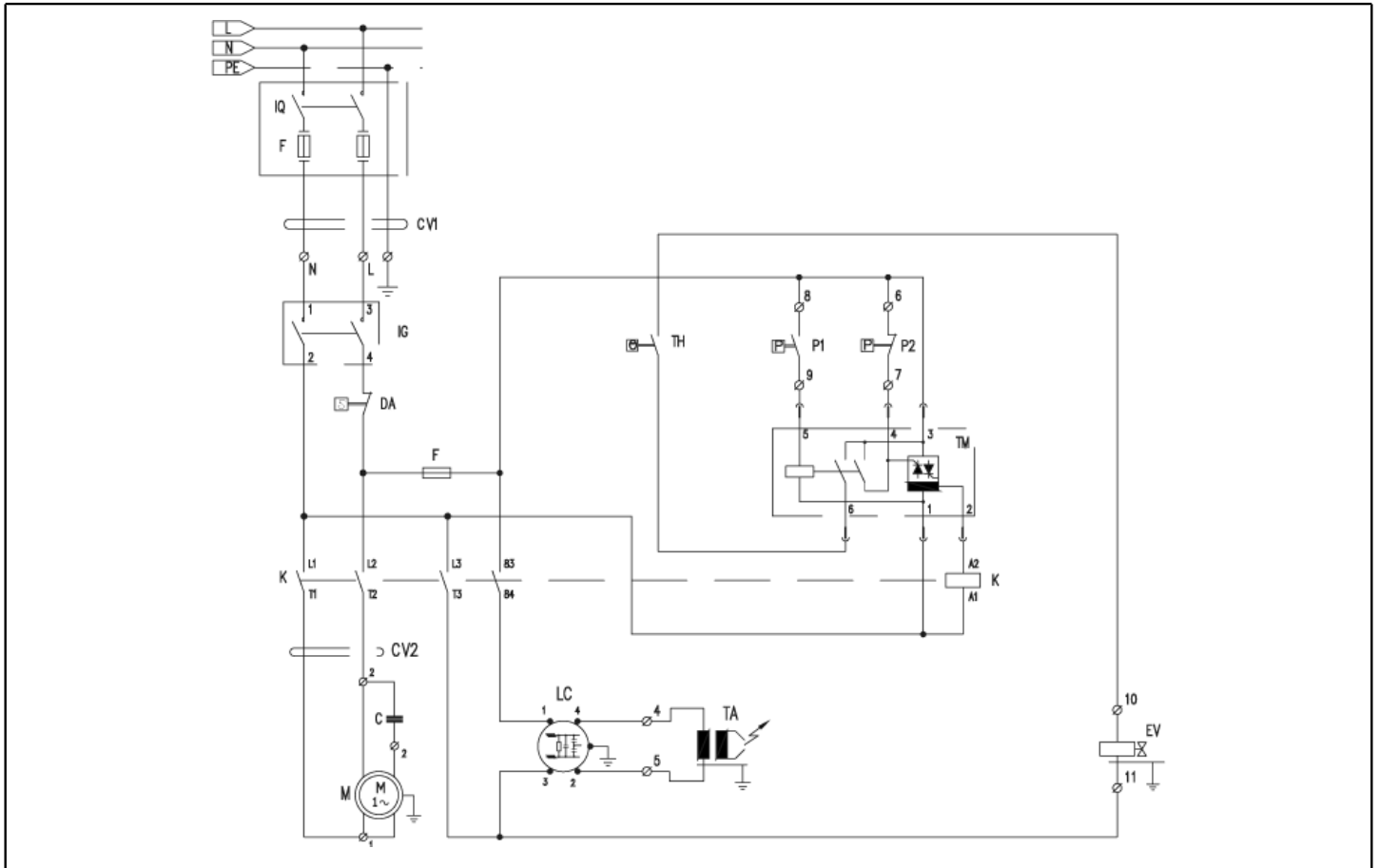
Ref. K	Part n.	Part n. 2	Description	Quantity	Validity		Price
					From	To	
0028	RCVR12430		ELBOW 1/4" M/M A15	1,00			--
0029	TBAP07354		POLYAMIDE HOSE L=630 1/4-1/4 F-F	1,00		28/02/2007	--
0029	TBAP40005		POLYAMIDE HOSE L=630 1/4 F-F P.MAN.	1,00	01/03/2007		--
0030	MNMN07992		PRESSURE GAUGE 0-250 D.50	1,00		18/11/2003	--
0030	MNMN49621		PRESSURE GAUGE 0-250 D.50 INOX	1,00	19/11/2003		--
0031	VVSF46712		VALVE 1/4M -PG. D.3X7.5	1,00			--
0032	FSVR00427		CLAMP D. 12 CLIC 66-110	2,00			--
0033	TBBP00051		DETERGENT HOSE D. 6-12	0,78			--
0034	RCGR08069		TAP BODY DET. PRT	1,00			--
0035	GUGO08071		O-RING D. 4.48 X 1.78 NBR 70SH	1,00			--
0036	GUGO12183		O-RING D. 23.4 X 3.53 VIT 70SH	1,00			--
0037	RCGR08070		ADJUSTER PRT	1,00			--
0038	VTRS00542		WASHER D.14X20	1,00			--
0039	MLML08068		SPRING D.1,5 L.23	1,00			--
0040	RCDS46087		SUCTION L=400 CPL	1,00			--
0041	VTDD21787		NUT M28X1.5 L=5	1,00			--
0042	RCDS21788		RING NUT M 28 X 1.5 L=16	1,00			--
0043	PVVR22163		KNOB L=60 V.INT.	1,00			--
0046	RCDS10546		VALVE SEAT 1/4M + PG. D.3-7.5 OTT	1,00			--
0047	GUGO01036		O-RING D. 10.82 X 1.78 NBR 70SH	2,00			--
0048	GUGO01055		O-RING D. 5.28 X 1.78 VIT 70SH	1,00			--
0049	SFVR04274		BALL D. 7/32	1,00			--
0050	MLML21505		SPRING D. 8 X5 X0.3	1,00			--
0051	RCDS46072		VALVE BODY N/R 1/4F-1/4 P176 OT	1,00			--
0052	RCVR00659		CAP 1/4 M	1,00	17/01/2004	03/12/2004	--
0053	GUGO19194		O-RING D. 11.11 X 1.78 NBR 70SH	1,00	17/01/2004	03/12/2004	--
0054	RCDS87605		SLEEVE 1/2 M/F +1/4F CB.D.6.5 OT	1,00	17/01/2004		--



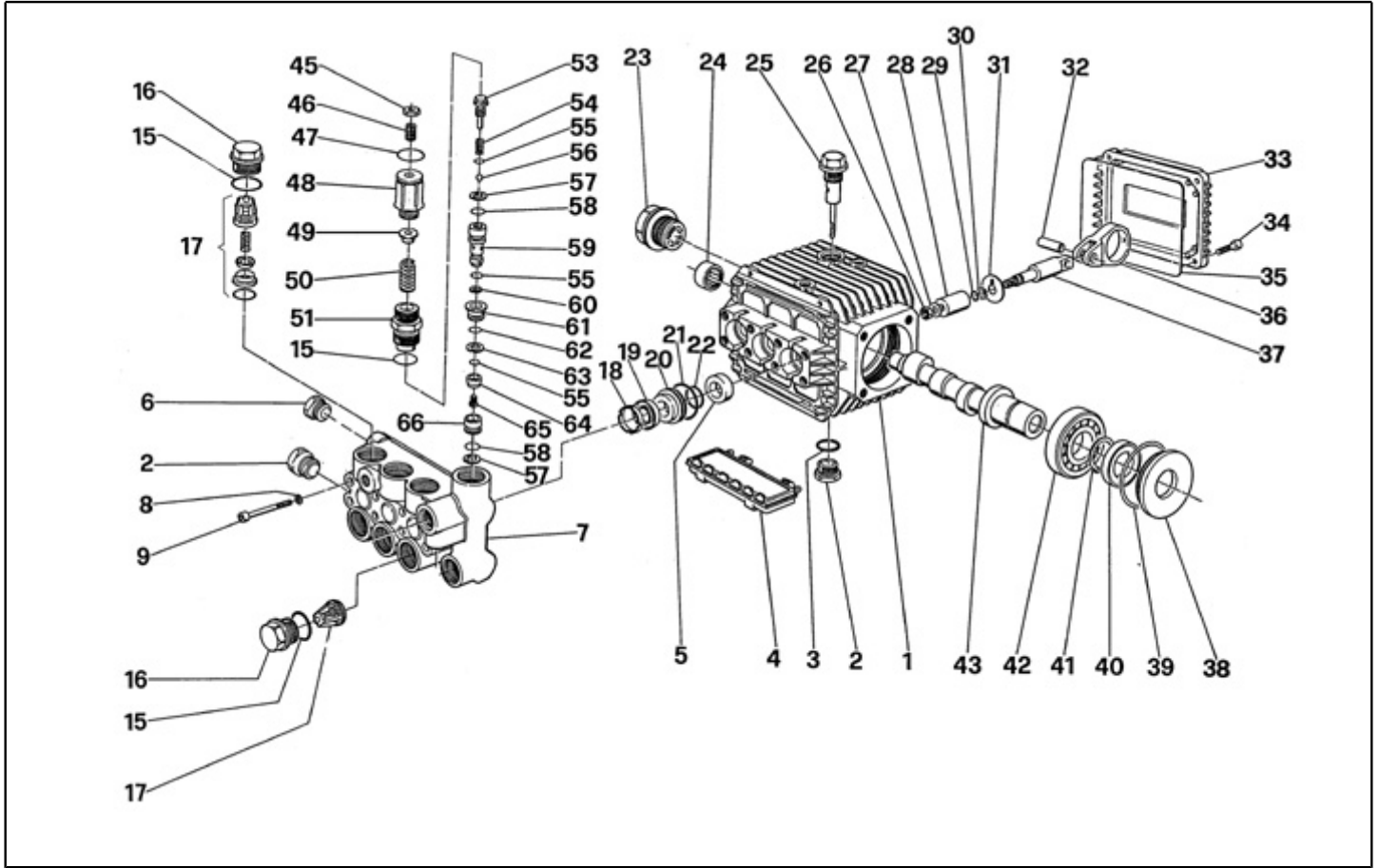
Ref. K	Part n.	Part n. 2	Description	Quantity	Validity		Price
					From	To	
0001	RCDS21120		RING NUT M 26 X 1,5	2,00			--
0002	GUGO21222		O-RING D. 15.54 X 2.62 VIT 80SH	2,00			--
0003	GUVR21021		ANTI-EXTR.RING D. 21 X17 TEF.	2,00			--
0004	LAFN44149		BOILER BOTTOM P176	1,00	15/02/2013		--
0005	ITTE44175		BOTTOM P176 C.TE	1,00	15/02/2013		--
0006	LAFN44151		BAND P176 INX	1,00	15/02/2013		--
0007	LAFN40037		RING D.342 P176 ZN 2V.CPL.	1,00	15/02/2013		--
0008	LAGR44156		DOUBLE COIL M26X1.5 P176 24MT GRZ	1,00	15/02/2013		--
0009	LASL40101		INT. CYLINDER PM INX	1,00	15/02/2013		--
0010	LAFN40274		EXT. CYLINDER PM-176 INX	1,00	15/02/2013		--
0011	LAFN40269		BOILER COVER SI PM INX	1,00	15/02/2013		--
0012	LAFN40270		BOILER COVER SE PM INX	1,00	15/02/2013		--
0013	LAFN44244		BAFFLE P176 30M INX	1,00	15/02/2013		--
0014	LAFN40271		PIN CH.10 X 67.7 M5M/M5M PM	3,00	15/02/2013		--
0015	MFVR18226		ELECTR.HOLDER FUT 3°V	1,00	15/02/2013		--
0016	LAFN07641		PLATE INX	1,00	15/02/2013		--
0017	MECA12525		ELECTRODE FUT	1,00	15/02/2013		--
0018	RCDS07642		NOZZLE HOLDER FUT	1,00	15/02/2013		--
0019	UGBR46119		BURNER NOZZLE 0.85 60° S	1,00	15/02/2013		--
0020	MPVR18228		OIL WARN-LIGHT D.17 X3	1,00	15/02/2013		--
0021	VTAE22633		SEEGER 0.4 X18,30X10,5	1,00	15/02/2013		--
0022	RCVR14014		BI-CONE CONNec. DTT 1/8" M B1 D. 2/ 4 NIK	1,00	01/07/2013	31/10/2013	--
0022	RCVR72867		CONNECTOR A "T" 1/8" FFM	1,00	01/07/2013	31/10/2013	--
0022	RCVR08954		ELBOW 1/8"-4 B5	1,00	01/03/2015		--
0022	RCVR40126		BI-CONE CONNec. T 1/8" M/F D. 4/ 6C NK.	1,00	01/11/2013	28/02/2015	--
0022	RCVR89230		CAP G 1/8 M C/O-RING.	1,00	01/07/2013	28/02/2015	--
0023	MECB34463		CABLE BT L=800 SP. FD	1,00			--
0024	MECV35334		CABLE A.T. 9.8-23KOH/M L= 400P	2,00			--
0025	TBCO40041		DIESEL HOSE P176 30MT D. 4 IX	1,00	20/07/2014		--
0025	TBCO46140		DIESEL HOSE P176 30MT D. 4	1,00		19/07/2014	--



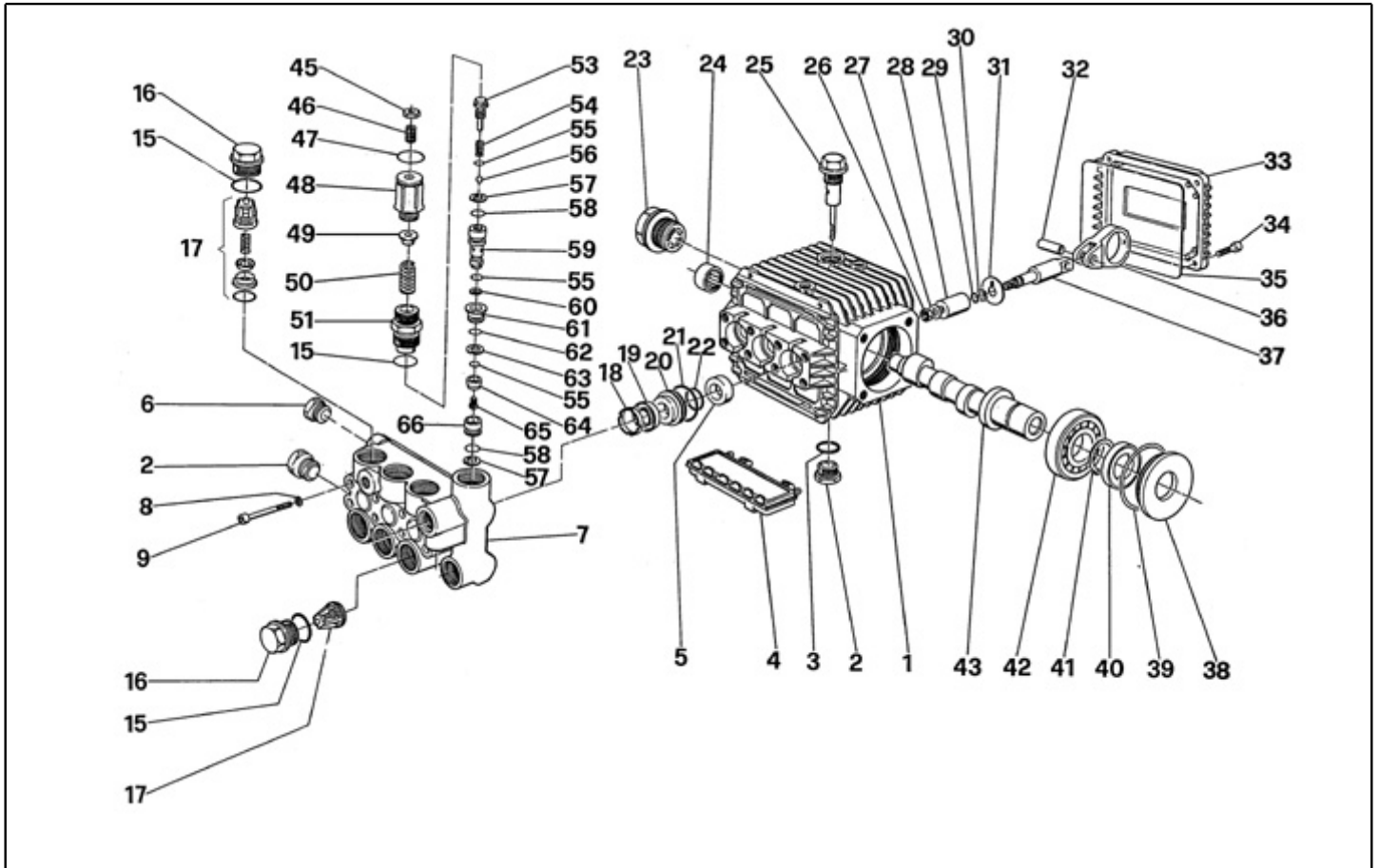
Ref. K	Part n.	Part n. 2	Description	Quantity	Validity		Price
					From	To	
0001	MPVR44176		SLEEVE P176 H= 50	1,00		05/06/2006	--
0001	MPVR88426		CONVEYOR P176 PA6 BK.	1,00	15/02/2013		--
0002	FSVR01873		CLAMP LG 31920 9 X500	1,00		05/06/2006	--
0002	GUGO88425		GASKET P245 EPDM	1,00	06/06/2006		--
0003	MPVR45488		SCROLL BODY P176 PP	1,00			--
0005	VEVR45443		MOTOR FAN P176 H 100	1,00			--
0006	LAFN45783		BUSHING D. 30 P176	1,00			--
0007	MPVR45444		SEPARATOR P176 ABS	1,00			--
0008	VTVR45002		BUSHING D. 17-19X19 CPS.	1,00			--
0009	VEVR45487		IMPELLER P176 D.240 43P. PA6	1,00		20/06/2005	--
0009	VEVR88781		IMPELLER P176 D.240 43P. 2V. PA6	1,00	21/06/2005		--
0010	MPVR45489		VENTILATOR COV. P176 ABS	1,00			--
0011	MPVR45445		BUTTERFLY VALVE P176 PP	1,00			--
0012	VTVR20127		CLIP KSM	8,00			--
0013	FGGT36513		JOINT HP 0.25 AACO	1,00			--
0014	PPGS47394		FUEL PUMP DLT VM2RR15	1,00		31/12/2004	--
0014	FTCO88927		FUEL FILTER S.AL	1,00	01/01/2005		--
0014	PPGS49454		FUEL PUMP DLT ALLUM. A2R1	1,00	01/01/2005	30/04/2010	--
0014	PPGS40004		FUEL PUMP DNF BFA 01R5L1	1,00	01/05/2010		--
0015	RCDS00626		HOSE FITTING 1/4 M D. 5- 7	1,00			--
0016	FSVR00427		CLAMP D. 12 CLIC 66-110	2,00			--
0017	TBCO06945		L.P. HOSE D. 6-12 10BAR C.PRESS	0,20			--
0018	FSVR11197		CLAMP D.12.9-13.6	2,00			--
0019	FTCO34840		FUEL FILTER FB 7/A NYL.	1,00		07/04/2010	--
0019	FTCO40003		FUEL FILTER FB 7/TA 60mc NYL.	1,00	08/04/2010	24/02/2016	--
0019	FTCO40004		FUEL FILTER FB 7/T 60mc NYL.	1,00	25/02/2016		--
0020	RCDS46087		SUCTION L=400 CPL	1,00			--
0021	VTRS04931		WASHER COPPER D.13X19X1.5	1,00			--
0022	RCVR14014		BI-CONE CONNec. DTT 1/8" M B1 D. 2/ 4 NIK	1,00			--
0024	MECB46130		CABLE DLT L=1100	1,00			--
0025	RCVR34780		ELBOW 1/8" M/F A10	1,00	01/03/2015		--
0026	RCVR89230		CAP G 1/8 M C/O-RING.	1,00	01/03/2015		--
9999	VTAE33647		CIRCLIP D. 19 UNI 7435	1,00	21/06/2005		--



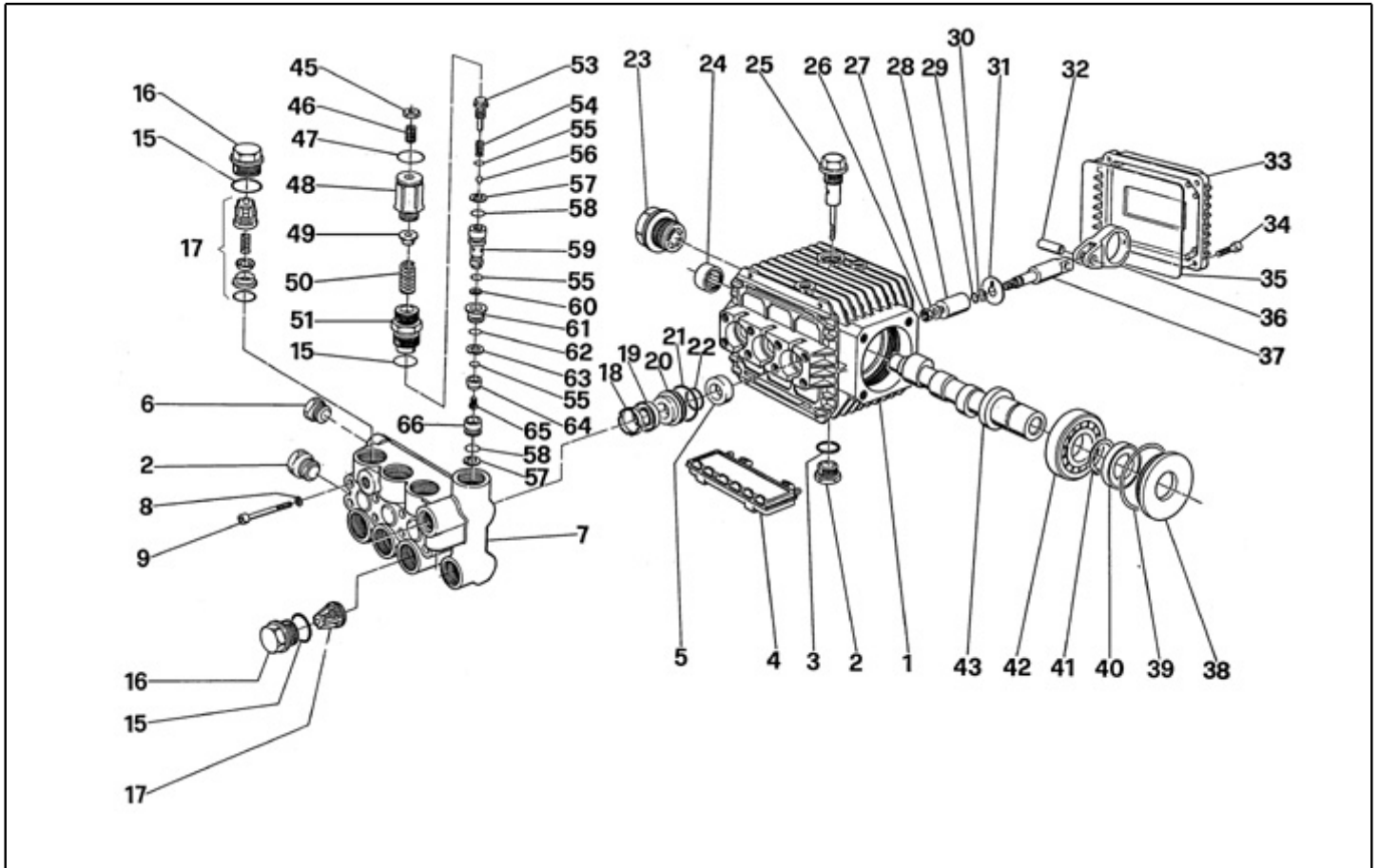
Ref. K	Part n.	Part n. 2	Description	Quantity	Validity		Price
					From	To	
C	MECO48359		CAPACITOR 70 MF 450V R2K C.25 6X12	1,00			--
F	MEVR00237		FUSE 5X20 3,15A	1,00			--
K	METT40023		CONTACTOR SIE 3RT 2026-1AL20 230V	1,00	20/11/2014		--
K	METT41887		CONTACTOR SIE 3RT 1026 1AL20 230V	1,00		19/11/2014	--
DA	METT26379		GROUND PROTECT. T13-211 15A	1,00			--
EV	MEBE18120		COIL DLT 220-50 S/CV.	1,00		31/12/2004	--
EV	MEBE43705		COIL DNF 220-50	1,00	01/05/2010		--
EV	MEBE49881		COIL DLT 220-50 NF84	1,00	01/01/2005	30/04/2010	--
IG	MECI21622		SWITCH TEC 20A HD2002 R000	1,00		14/05/2011	--
IG	MECI40022		SWITCH BRM BP. 0-1 20A	1,00	15/05/2011		--
LC	MECE46138		FILTER LC RFI 250V 10A	1,00			--
P1	MEPF39902		PRESSURE SWITCH MTM 1/4M NA/NC 25B. MICRO	1,00		31/08/2012	--
P1	MEPF76254		PRESSURE SWITCH PR 5 1/4M 25BAR	1,00	01/09/2012		--
P2	MEPF39741		PRESSURE SWITCH MTM 1/8M NA/NC 25B. MICRO	1,00		31/08/2012	--
P2	MEPF40014		PRESSURE SWITCH PR 5 1/8M 25BAR RD.	1,00	01/09/2012		--
TA	METR34464		TRANSFORMER 230V-50HZ 2X4000V SP4 CM	1,00			--
TH	METK19354		THERMOSTAT 0-150° L=1500	1,00		14/12/2010	--
TH	METK40006		THERMOSTAT 0-150° L=1500 S&R	1,00	15/12/2010	31/12/2012	--
TH	METK40011		THERMOSTAT 0-150° L=1500 F&C	1,00	01/01/2013		--
TM	METY42780		TIMER THV/2+RL.15-250V 5/60 30S	1,00			--
CV1	MECB10519		CABLE H07 RNF 3X2.5 L=6.500	1,00			--



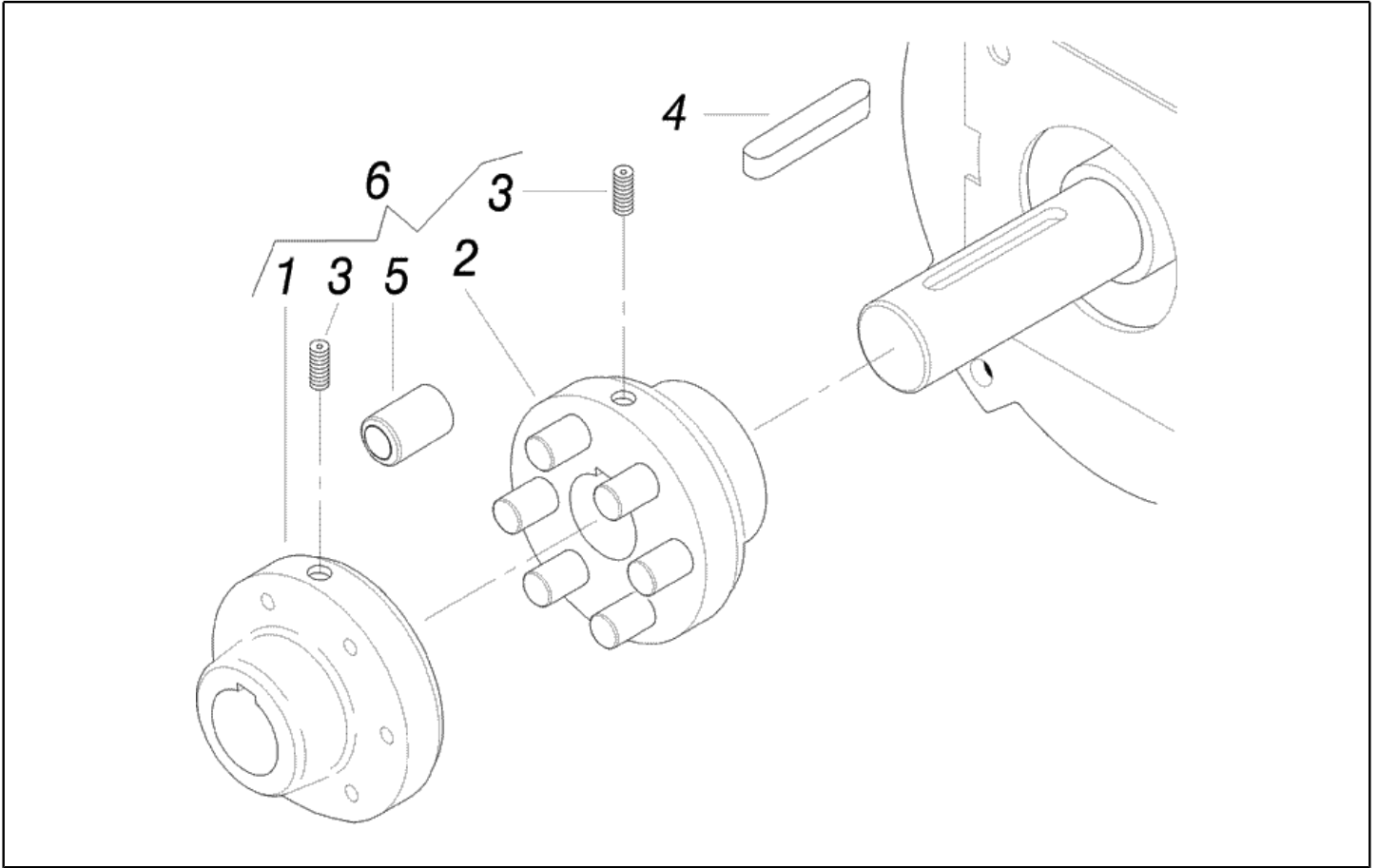
Ref. K	Part n.	Part n. 2	Description	Quantity	Validity		Price
					From	To	
0001	MFVR12641		PUMP CRANKCASE WW 90B - 93B	1,00			--
0002	RCDS01090		CAP 3/8X13 M WW90	2,00			--
0003	GUGO01035		O-RING D. 13.95 X 2.62 NBR 70SH	1,00			--
0004	PVVR43778		PROTECTION WW S.51	1,00			--
0005	S GUGO09690		OIL SEAL 15X 24X 5 NBR70	3,00			--
0006	RCDS01088		CAP 1/4X 9 M WW90	1,00			--
0007	MFVR13294		HEAD WW 90 OT. V.INT. D.18	1,00			--
0008	VTRS01077		WASHER D. 6,4X10X0,7	12,00			--
0009	VTVT06236		SCREW TCCE UNI 5931 6X40 ZB	8,00			--
0015	S GUGO01033		O-RING D. 20.24 X 2.62 NBR 90SH	7,00			--
0016	RCDS43779		CAP M 24X1,5X11,2 WW	6,00			--
0017	S VVAM28467		VALVE UNIT "44" WW136-186	6,00			--
0018	S PVVR47765		HEAD RING D. 18 "51"	3,00			--
0019	S GUVR47766		PACKING D. 18 "51"	3,00			--
0020	S PVVR47767		PACKING RETAIN. D. 18 "51"	3,00			--
0021	S GUGO03506		O-RING D. 25.12 X 1.78 NBR 70SH	3,00			--
0022	S GUGO03502		O-RING D. 17.86 X 2.62 NBR 70SH	3,00			--
0023	PVVR01083		OIL INDICATOR G 3/4 W70-151	1,00			--
0024	CUVR09639		ROLLER BEARING BK 1516V	1,00			--
0025	PVVR01089		OIL DIPSTICK W 70	1,00			--
0026	VTDD04284		NUT M8X1,25 X13X5 S2 INX	3,00			--
0027	VTRS09321		WASHER D. 8X13X1	3,00		29/07/2002	--
0027	VTRS46027		WASHER D. 8 C/CLL.	3,00	30/07/2002		--
0028	PIVR47768		PISTON D.18 "51"	3,00			--
0029	GUGO01055		O-RING D. 5.28 X 1.78 VIT 70SH	3,00			--
0030	GUVR 10257		ANTI-EXTR.RING WW161	3,00			--
0031	VTRS09320		WASHER D. 9X23X0,5	3,00			--
0032	PVVR09646		GUDGEON D. 8X24,5 BJ	3,00			--
0033	MFVR09643		CRANKCASE COVER BJ	1,00			--
0034	VTVT01115		SCREW TCEI 6X18	4,00			--
0035	GUGO27617		O-RING D. 88.57 X 2.62 NBR 70SH	1,00			--
0036	BLVR43780		CONNECTING ROD WW S.51	3,00			--
0037	PVVR09642		PISTON GUIDE BJ	3,00			--
0038	MFVR03565		SPACER W 70	1,00			--
0039	GUGO01040		O-RING D. 55.56 X 3.53 NBR 70SH	1,00			--
0040	GUGO01002		OIL SEAL 25X 42X 7 NBR70	1,00			--
0041	VTAE09655		SEEGER ESTERNO DIN 471 D.25	1,00			--
0042	CUVR09654		BALL BEARING 6305	1,00			--
0043	ALMO09648		ECC.SHAFT WW "N" C.9.4 D.24	1,00			--
0045	VTDD09708		NUT M 8 UNI 5589	1,00			--
0046	VTVT20196		SCREW EI-ST 8X20 UNI5923	1,00			--
0047	GUGO01057		O-RING D. 20.35 X 1.78 NBR 70SH	1,00			--
0048	PVVR18672		REGISTER COLT	1,00			--
0049	PVVR11656		SPRING PLATE W1	1,00			--



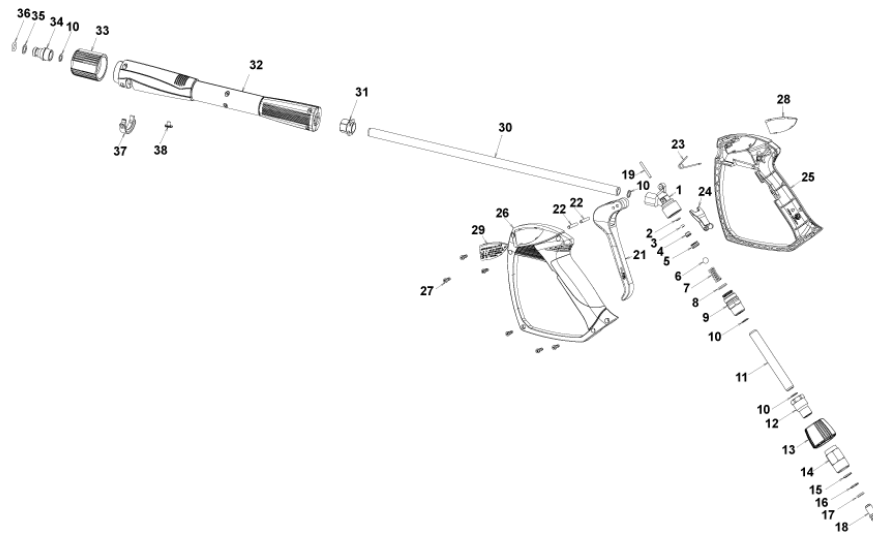
Ref. K	Part n.	Part n. 2	Description	Quantity	Validity		Price
					From	To	
0050	MLML11655		SPRING D.15X35	1,00			--
0051	S	PVVR18671	BUSHING COLT	1,00			--
0053	S	PVVR18670	LIMIT SWITCH COLT	1,00			--
0054	S	MLML20195	SPRING D. 6.1X19	1,00			--
0055	S	GUGO03497	O-RING D. 6.75 X 1.78 VIT 80SH	3,00			--
0056	S	SFVR12904	BALL D. 9/32 W1 INX	1,00		31/03/2009	--
0056	S	PVVR89063	COUPLING V.INT. "H"	1,00	01/04/2009		--
0057	S	GUVR11651	ANTI-EXTR.RING D. 10.6X15X2	2,00			--
0058	S	GUGO03501	O-RING D. 9.92 X 2.62 VIT 70SH	2,00			--
0059	S	PVVR18669	CONTROL PISTON COLT	1,00			--
0060	S	GUVR04309	ANTI-EXTR.RING HM	2,00			--
0061	S	PVVR11653	VALVE GUIDE CONTROL SET W1	2,00			--
0062	S	GUGO11652	O-RING D. 12.42 X 1.78 NBR 70SH	1,00			--
0063	S	GUVR11650	ANTI-EXTR.RING CONTROL SET W1	1,00			--
0064	S	PVVR18668	VALVE CLT	1,00			--
0065	S	VTVT18667	SCREW M 5X0,8X7,5	1,00			--
0066	S	PVVR12887	VALVE SEAT CONTROL SET W1	1,00			--



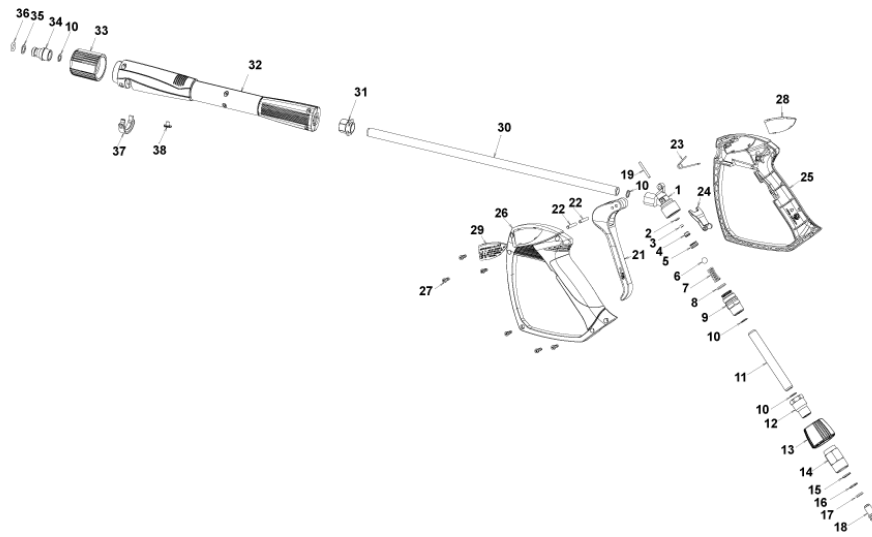
Ref. Part n.	Part n. 2	Description	Reference	Price
KTRI18651		KIT P 83	0005	--
KTRI28508		KIT P 15-123	0017	--
KTRI47769		KIT P 15-139	0020 0021 0022	--
KTRI47770		KIT P 15-140	0018 0019 0020 0021 0022	--
KTRI76437		KIT P 15-141	0018 0019 0021 0022	--
KTRI20717		KIT P 15-102P SF.ACC.	0051 0053 0054 0055 0056 0057 0058 0059 0060 0061 0062 0063 0064 0065 0066	--
KTRI18655		KIT P 102	0051 0053 0054 0055 0056 0057 0058 0059 0060 0061 0062 0063 0064 0065 0066	--



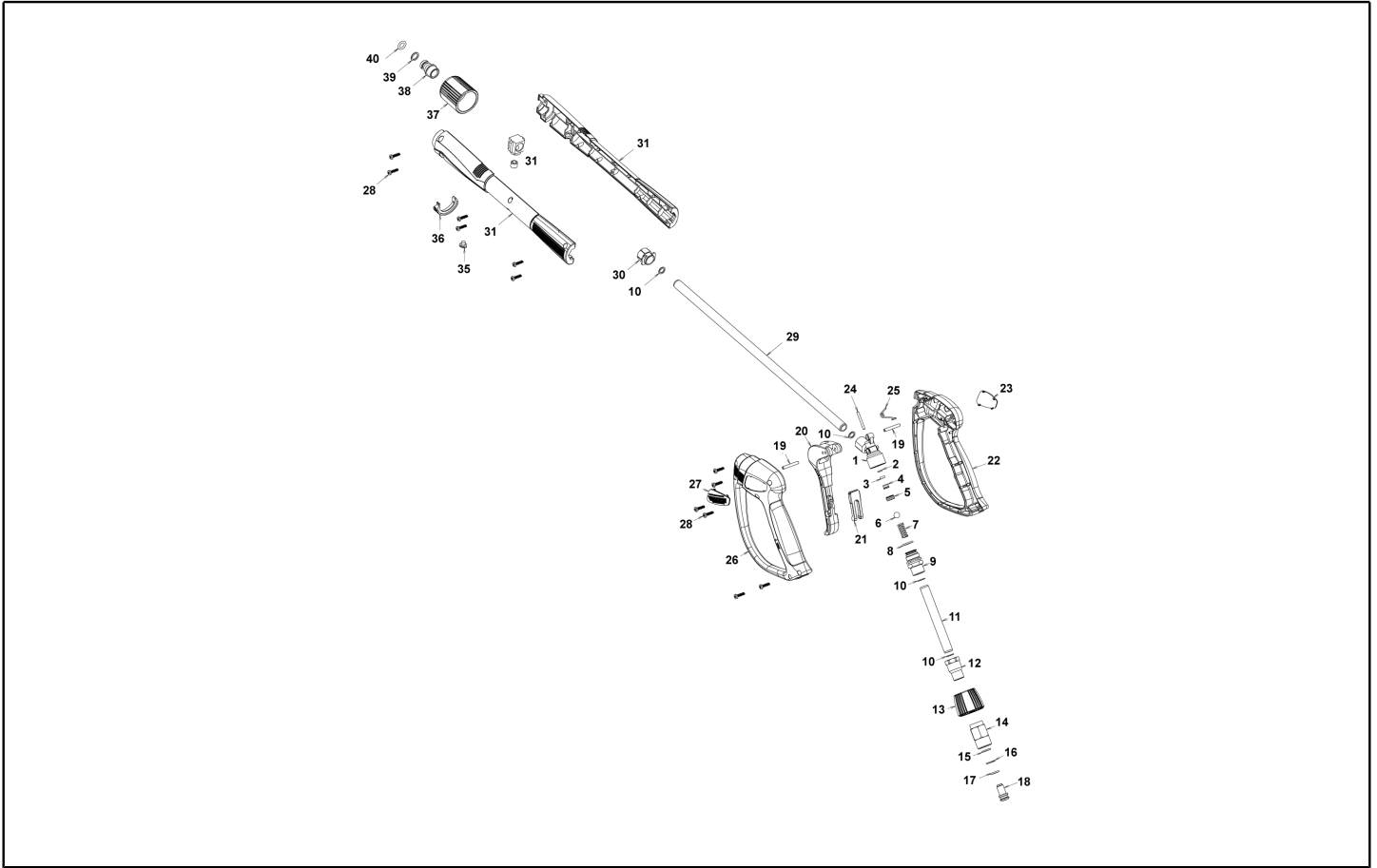
Ref. K	Part n.	Part n. 2	Description	Quantity	Validity		Price
					From	To	
0001	FGGT46926		HALF COUPLING W1	1,00			--
0002	FGGT40000		HALF COUPLING W1 MOT.	1,00			--
0003	VTVT76580		SCREW M 8X 10 EI ST UNI 5929 Z	2,00			--
0005	FGGT04612		BUSHING IP	6,00			--
0006	FGGT45424		FLEX. COUPLING W 1 2PZ. P176	1,00			--
0001	FGGT46926		HALF COUPLING W1	1,00			--
0002	FGGT40000		HALF COUPLING W1 MOT.	1,00			--
0003	VTVT76580		SCREW M 8X 10 EI ST UNI 5929 Z	2,00			--
0005	FGGT04612		BUSHING IP	6,00			--
0006	FGGT45424		FLEX. COUPLING W 1 2PZ. P176	1,00			--



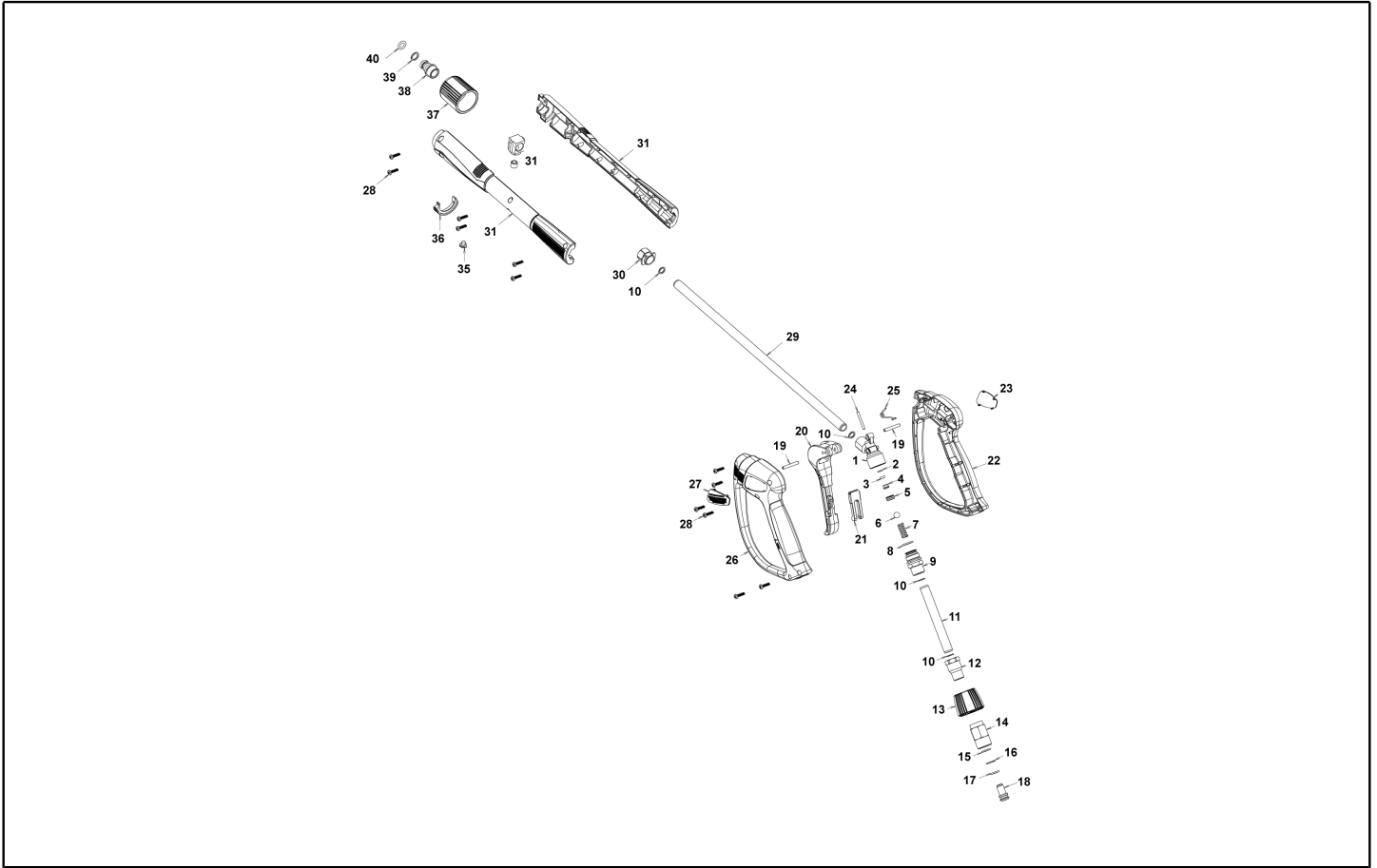
Ref. K	Part n.	Part n. 2	Description	Quantity	Validity		Price
					From	To	
0001	PVVR40381		GUN BODY G 5100 G1/4F	1,00			--
0002	S	GUVR40074	ANTI-EXTR.RING D. 3 X 7.4X1.3	1,00			--
0003	S	GUGO21835	O-RING D. 2.84 X 2.62 VIT. 80SH	1,00			--
0004	PVVR40382		PISTON GUIDE G 5100	1,00			--
0005	S	PVVR40112	BALL SEAT G 5000	1,00			--
0006	S	SFVR27026	BALL D.11/32" INX	1,00			--
0007	MLML40016		SPRING D. 9.4 x21.5x1.6 G5000	1,00			--
0008	GUGO12322		O-RING D. 14 X 1.78 NBR 90SH	1,00			--
0009	PVVR40383		CONNECTOR COLL.G5100 1/4F	1,00			--
0010	VTRS40017		WASHER D. 8.2X11,4X1.00	4,00			--
0011	PVVR40384		TUBE G 1/4" L.105	1,00			--
0012	RCIN40022		CONNECTOR SWIV G5100 1/4F	1,00			--
0013	MPVR40486		RING NUT G 5100 SW. GR.	1,00			--
0014	RCIN40021		JOINT SWIV 5100 M22	1,00			--
0015	S	GUVR40075	ANTI-EXTR.RING D. 10 X14X1.5	1,00			--
0016	S	GUVR40076	ANTI-EXTR.RING D. 11.2X14X1.2	1,00			--
0017	S	GUGO15295	O-RING D. 10.82 X 1.78 VIT 75SH	1,00			--
0018	PVVR40386		SCREW SW. G 5100	1,00			--
0019	PVVR40387		SMALL PISTON G 5100	1,00			--
0021	MPVR40487		TRIGGER G 5100-SW	1,00			--
0022	VTVR40047		PLUG D. 4X29	2,00			--
0023	MLML40029		SPRING G 5100	1,00			--
0024	MPVR40488		SAFETY-DEVICE G 5100-SW	1,00			--
0025	MPVR40489		SHELL G 5100-SW DX	1,00			--
0026	MPVR40490		SHELL G 5100-SW SX	1,00			--
0027	VTVT40043		SCREW AF 4X 14 HILO ZN.N	6,00			--
0028	MPVR40491		PLATE G 5100 GR.DX	1,00			--
0029	MPVR40492		PLATE G 5100 GR.SX	1,00			--
0030	LCPR40086		TUBE 1/4 L=420 ZC. 0°	1,00			--
0031	MPVR40493		CONNECTOR G 5100-SW	1,00			--
0032	MPVR40494		PROTECTION P 420 C/AN.	1,00			--
0033	PVVR40119		CONNECTION M22X1.5 IRV G5000	1,00			--
0034	RCIN40009		GUDGEON G 1/4 F IRV G5000	1,00			--
0035	GUVR40034		ANTI-EXTR.RING D. 10 X14	1,00			--
0036	GUGO01946		O-RING D. 9.13 X 2.62 VIT 70SH	1,00			--
0037	MPVR40495		CAP G 5100 REM.	1,00			--
0038	MPVR40198		CAP G 5000	1,00			--



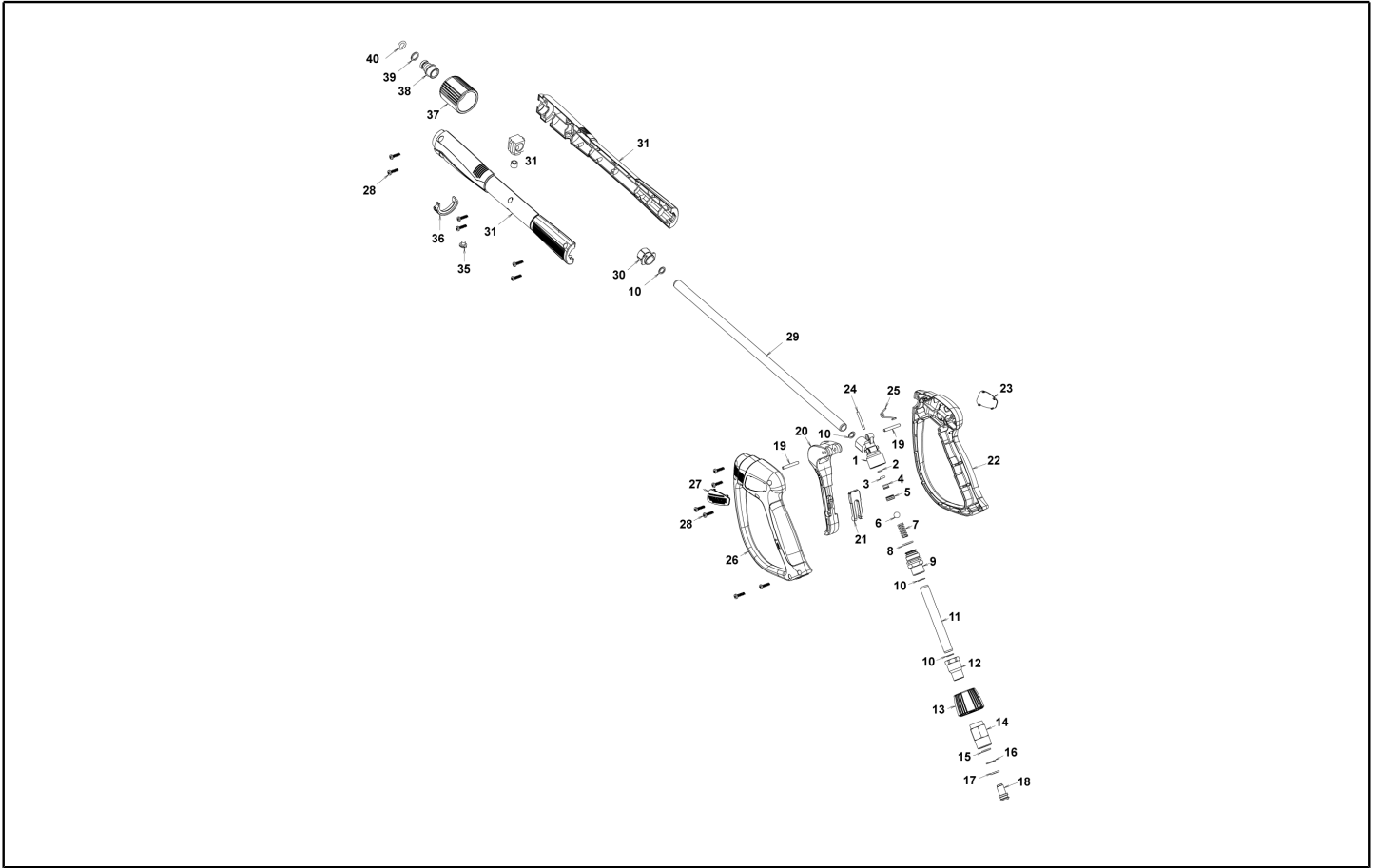
Ref. Part n.	Part n. 2	Description	Reference	Price
KTRI40242		KIT P 26- 25 G 5100	0002 0003 0005 0006	--
KTRI40243		KIT P 26- 26 SWIVEL G 5100	0015 0016 0017	--



Ref. K	Part n.	Part n. 2	Description	Quantity	Validity		Price
					From	To	
0001	PVVR40381		GUN BODY G 5100 G1/4F	1,00			--
0002	S	GUVR40074	ANTI-EXTR.RING D. 3 X 7.4X1.3	1,00			--
0003	S	GUGO21835	O-RING D. 2.84 X 2.62 VIT. 80SH	1,00			--
0004		PVVR40382	PISTON GUIDE G 5100	1,00			--
0005	S	PVVR40112	BALL SEAT G 5000	1,00			--
0006	S	SFVR40002	BALL D.11/32" ALL GR16	1,00			--
0007		MLML40016	SPRING D. 9.4 x21.5x1.6 G5000	1,00			--
0008		GUGO12322	O-RING D. 14 X 1.78 NBR 90SH	1,00			--
0009		PVVR40383	CONNECTOR COLL.G5100 1/4F	1,00			--
0010		VTRS40017	WASHER D. 8.2X11,4X1.00	4,00			--
0011		PVVR40384	TUBE G 1/4" L.105	1,00			--
0012		RCIN40022	CONNECTOR SWIV G5100 1/4F	1,00			--
0013		MPVR40819	RING NUT G 5100 SW. BK.	1,00			--
0014		RCIN40021	JOINT SWIV 5100 M22	1,00			--
0015	S	GUVR40075	ANTI-EXTR.RING D. 10 X14X1.5	1,00			--
0016	S	GUVR40076	ANTI-EXTR.RING D. 11.2X14X1.2	1,00			--
0017	S	GUGO15295	O-RING D. 10.82 X 1.78 VIT 75SH	1,00			--
0018		PVVR40386	SCREW SW. G 5100	1,00			--
0019		VTVR40047	PLUG D. 4X29	2,00			--
0020		MPVR40820	TRIGGER G 6000-SW	1,00			--
0021		MPVR40821	SAFETY-DEVICE G 6000-SW	1,00			--
0022		MPVR40822	SHELL G 6000-SW DX	1,00			--
0023		MPVR40823	PLATE G 6000 GR.DX	1,00			--
0024		PVVR40387	SMALL PISTON G 5100	1,00			--
0025		MLML40029	SPRING G 5100	1,00			--
0026		MPVR40824	SHELL G 6000-SW SX	1,00			--
0027		MPVR40825	PLATE G 6000 GR.SX	1,00			--
0028		VTVT40043	SCREW AF 4X 14 HILO ZN.N	12,00			--
0029		LCPR40086	TUBE 1/4 L=420 ZC. 0°	1,00			--
0030		MPVR40493	CONNECTOR G 5100-SW	1,00			--
0031		MPVR40494	PROTECTION P 420 C/AN.	1,00			--
0035		MPVR40198	CAP G 5000	1,00			--
0036		MPVR40495	CAP G 5100 REM.	1,00			--
0037		PVVR40119	CONNECTION M22X1,5 IRV G5000	1,00			--
0038		RCIN40009	GUDGEON G 1/4 F IRV G5000	1,00			--
0039		GUVR40034	ANTI-EXTR.RING D. 10 X14	1,00			--
0040		GUGO01946	O-RING D. 9.13 X 2.62 VIT 70SH	1,00			--



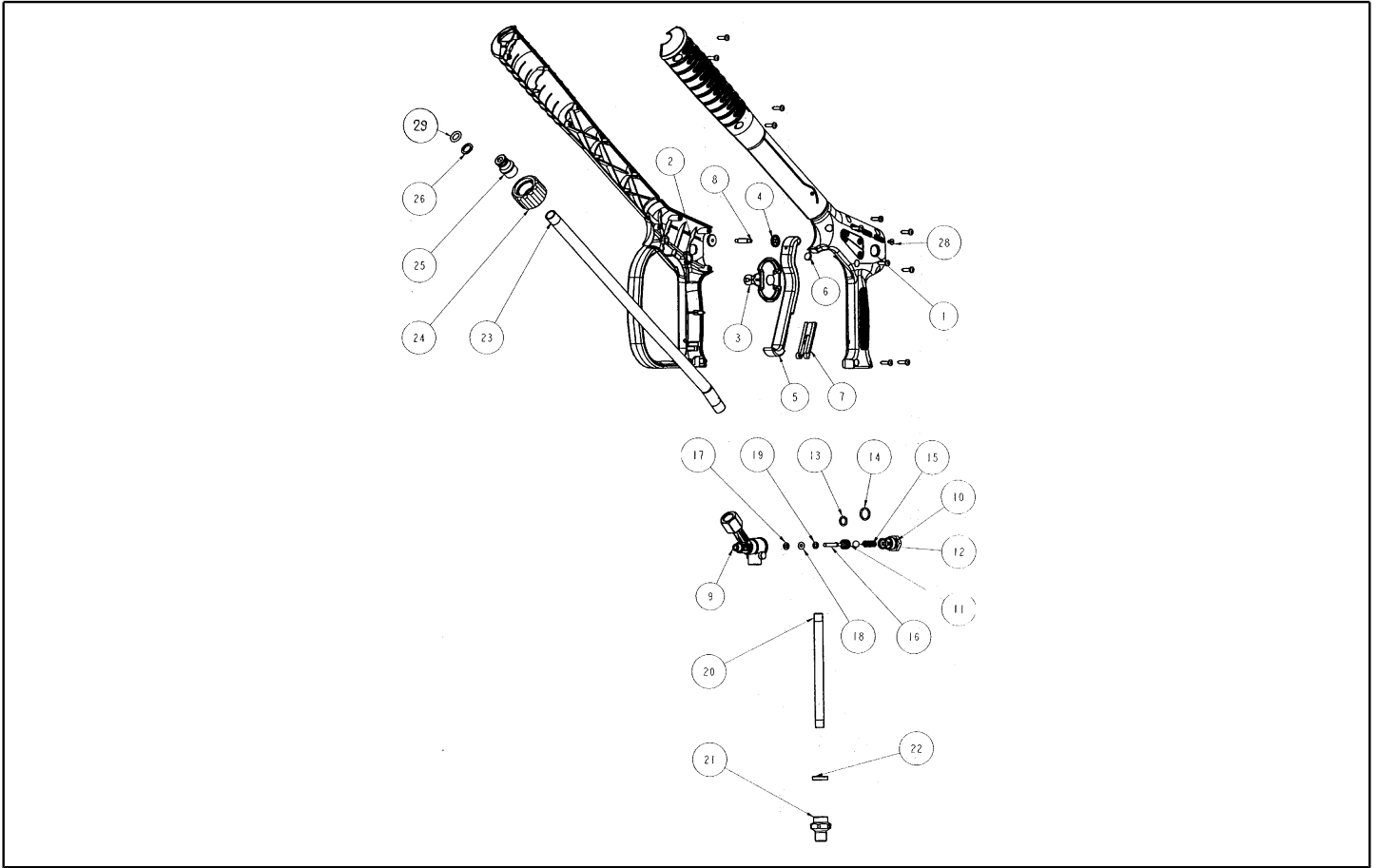
Ref. Part n.	Part n. 2	Description	Reference	Price
KTRI40243		KIT P 26- 26 SWIVEL G 5100	0015 0016 0017	--
KTRI40414		KIT P 26- 34 G 6000	0002 0003 0005 0006	--



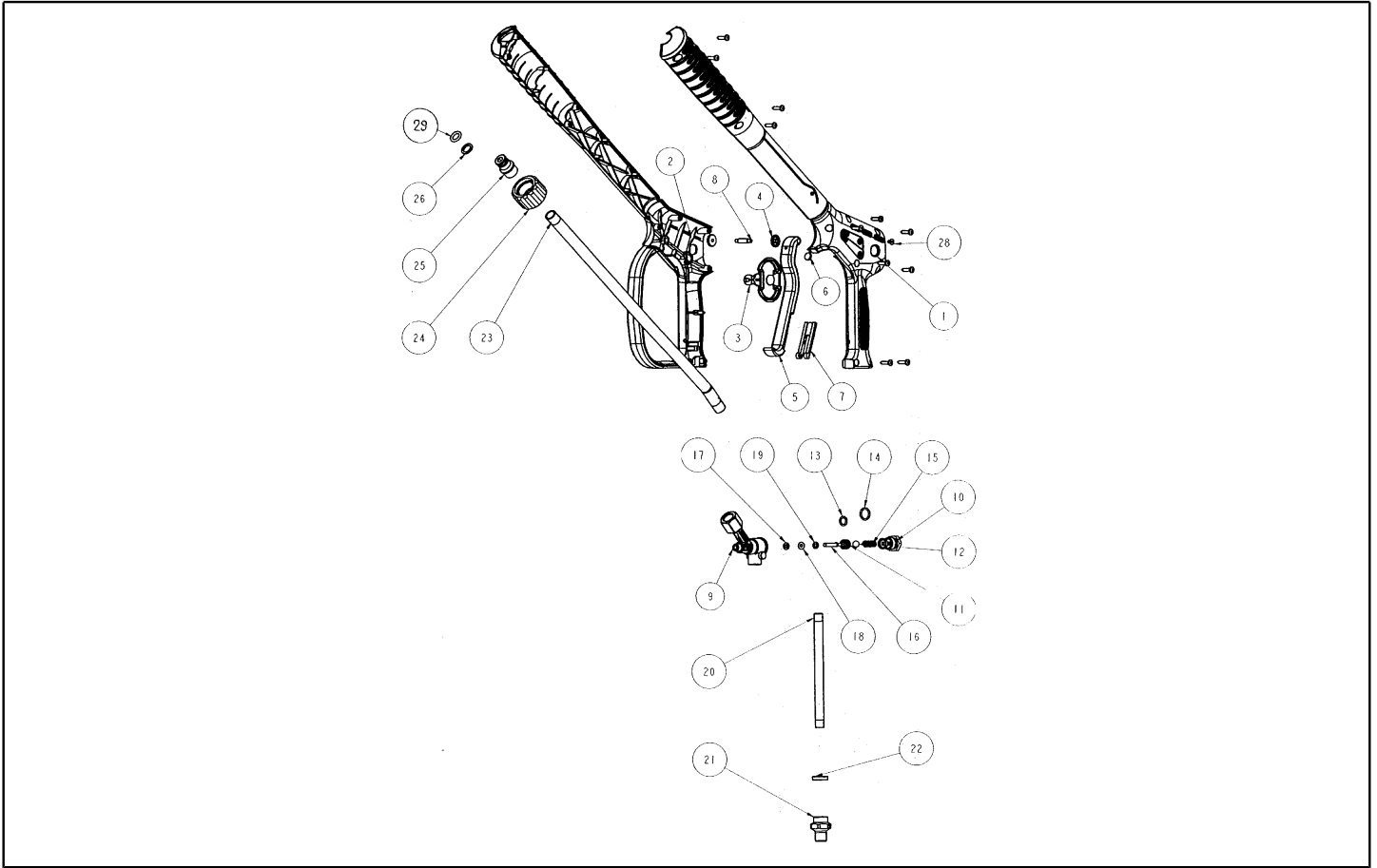
Ref. K	Part n.	Part n. 2	Description	Quantity	Validity		Price
					From	To	
0001	PVVR40381		GUN BODY G 5100 G1/4F	1,00			--
0002	S	GUVR40074	ANTI-EXTR.RING D. 3 X 7.4X1.3	1,00			--
0003	S	GUGO21835	O-RING D. 2.84 X 2.62 VIT. 80SH	1,00			--
0004		PVVR40382	PISTON GUIDE G 5100	1,00			--
0005	S	PVVR40563	BALL SEAT AL36 G6000 + OR	1,00			--
0006	S	SFVR40004	BALL D. 5/16" ALL.GR16	1,00			--
0007		MLML40047	SPRING D. 9.4 x23.5x1.6 G6000	1,00			--
0008		GUGO12322	O-RING D. 14 X 1.78 NBR 90SH	1,00			--
0009		PVVR40383	CONNECTOR COLL.G5100 1/4F	1,00			--
0010		VTRS40017	WASHER D. 8.2X11,4X1.00	4,00			--
0011		PVVR40384	TUBE G 1/4" L.105	1,00			--
0012		RCIN40022	CONNECTOR SWIV G5100 1/4F	1,00			--
0013		MPVR40967	RING NUT G 6000 SW. GR.	1,00			--
0014		RCIN40021	JOINT SWIV 5100 M22	1,00			--
0015	S	GUVR40075	ANTI-EXTR.RING D. 10 X14X1.5	1,00			--
0016	S	GUVR40076	ANTI-EXTR.RING D. 11.2X14X1.2	1,00			--
0017	S	GUGO15295	O-RING D. 10.82 X 1.78 VIT 75SH	1,00			--
0018		PVVR40386	SCREW SW. G 5100	1,00			--
0019		VTVR40047	PLUG D. 4X29	2,00			--
0020		MPVR40820	TRIGGER G 6000-SW	1,00			--
0021		MPVR40821	SAFETY-DEVICE G 6000-SW	1,00			--
0022		MPVR40822	SHELL G 6000-SW DX	1,00			--
0023		MPVR40968	PLATE G 6000/2 GR.DX	1,00			--
0024		PVVR40564	SMALL PISTON G 6000 AL36 SP.	1,00			--
0025		MLML40029	SPRING G 5100	1,00			--
0026		MPVR40824	SHELL G 6000-SW SX	1,00			--
0027		MPVR40825	PLATE G 6000 GR.SX	1,00			--
0028		VTVT40043	SCREW AF 4X 14 HILO ZN.N	12,00			--
0029		LCPR40181	TUBE 1/4 L=416 ZC. 0°	1,00			--
0030		MPVR40493	CONNECTOR G 5100-SW	1,00			--
0031		MPVR40494	PROTECTION P 420 C/AN.	1,00			--
0035		MPVR40198	CAP G 5000	1,00			--
0036		MPVR40495	CAP G 5100 REM.	1,00			--
0037		PVVR40119	CONNECTION M22X1,5 IRV G5000	1,00			--
0038		RCIN40048	GUDGEON G 1/4 F IRV G6000/2	1,00			--
0039		GUVR40034	ANTI-EXTR.RING D. 10 X14	1,00			--
0040		GUGO63555	O-RING D. 9.3 X 2,4 VIT 75SH	1,00			--



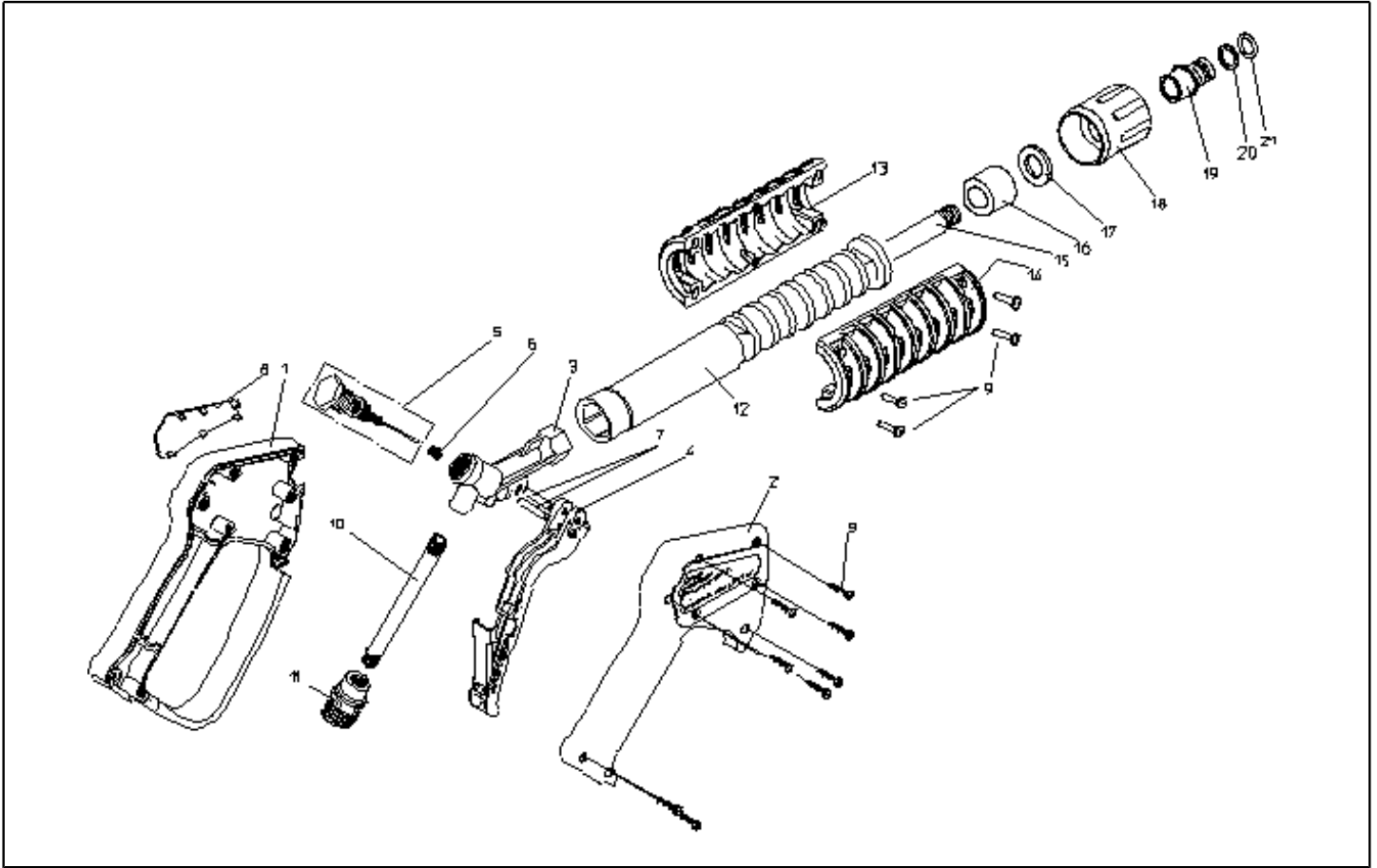
Ref. Part n.	Part n. 2	Description	Reference	Price
KTRI40243		KIT P 26- 26 SWIVEL G 5100	0015 0016 0017	--
KTRI40513		KIT P 26- 36 G 6000/II	0002 0003 0005 0006	--



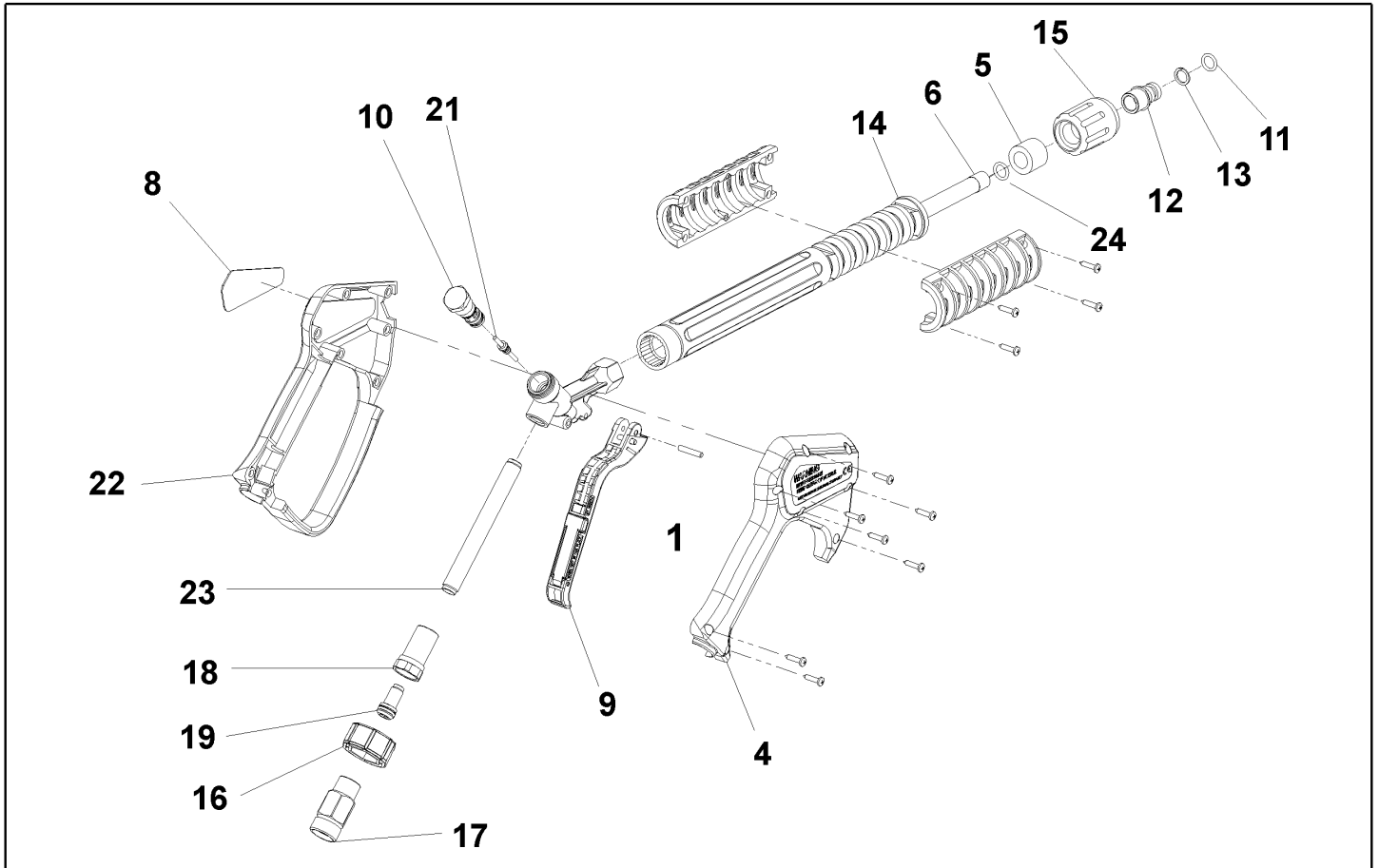
Ref. K	Part n.	Part n. 2	Description	Quantity	Validity		Price
					From	To	
0001	MPVR43269		HALF BEARING G2200 SX PRT	1,00			--
0002	MPVR43268		HALF BEARING G2200 DX PRT	1,00			--
0003	MPVR43270		CAP G2200	1,00			--
0004	VTRS41562		WASHER AURA 200	2,00			--
0005	MPVR41568		TRIGGER AURA 200	1,00			--
0006	PVVR41567		PAWL AURA 200 INX	1,00			--
0007	MPVR41569		SAFETY-DEVICE AURA 200	1,00			--
0008	VTVR41566		PLUG AURA 200	1,00			--
0009	PVVR41559		GUN BODY AURA G1/4 L.18	1,00			--
0010	E PVVR43275		CAP M14X1 AURA 200 2.V	1,00			--
0011	E PVVR43274		BALL SEAT AURA 200 2.V	1,00			--
0012	E SFVR12904		BALL D. 9/32 W1 INX	1,00			--
0013	E GUGO63426		O-RING D. 7.66 X 1.78 NBR 90SH	1,00			--
0014	E GUGO19194		O-RING D. 11.11 X 1.78 NBR 70SH	1,00			--
0015	E MLML41571		SPRING D. 7 X21 D.1.2	1,00			--
0016	S PVVR43264		SMALL PISTON AURA 200 INX L=30 2V.	1,00			--
0017	S GUVVR41557		ANTI-EXTR.RING D. 4 X 7.8X1.2	1,00			--
0018	S GUGO01201		O-RING D. 3.6 X 2.4 -NBR 70SH	1,00			--
0019	S VTRS43265		WASHER OT AURA	1,00			--
0020	PVVR43272		PIPE G 1/8" M/M L.133	1,00			--
0021	RCIN41561		MALE COUPLING M 22 -1/8F	1,00			--
0022	MPVR43271		WASHER 1/8" G2200	1,00			--
0023	LCPR43273		TUBE 1/4 L=384 0° 1/4 M-M INX	1,00			--
0024	PVVR43276		CONNECTION M22X1.5 IRV	1,00			--
0025	RCIN43267		GUDGEON G 1/4 F IRV	1,00			--
0026	GUVVR43266		ANTI-EXTR.RING SR 110	1,00			--
0028	PVVR42233		CAP D. 3 PLS YLW.	1,00			--
0029	GUGO28927		O-RING D. 9.13 X 2.62 NBR 70SH	1,00			--



Ref. Part n.	Part n. 2	Description	Reference	Price
KTRI40835		KIT P 26- 15 AURA 200	0011 0012 0013 0014 0015 0016 0017 0018 0019	--
KTRI47792		KIT P 26- 20 AURA 200	0010 0011 0012 0013 0014 0015	--



Ref. K	Part n.	Part n. 2	Description	Quantity	Validity		Price
					From	To	
0001	MPVR46562		SHELL G 4500	1,00			--
0002	MPVR46563		COVER G 4500	1,00			--
0003	PVVR46564		GUN BODY G 4500 G1/4 OT.	1,00			--
0004	MPVR46565		TRIGGER G 4500	1,00			--
0005	PVVR46566		SMALL PISTON G 4500 CPL.	1,00			--
0006	PVVR46567		PISTON GUIDE G 4500 CPL.	1,00			--
0007	VTVR46568		PLUG G 4500	2,00			--
0008	MPVR46569		PLATE G 4500 RD.	1,00			--
0009	VTVT28553		SCREW TCB-TC 3.5X16	11,00			--
0010	PVVR37732		PIPE G 1/4" M/M L.139	1,00			--
0011	RCIN03752		MALE COUPLING 1/4FA	1,00			--
0012	MPVR46570		PROTECTION P 330 ST	1,00			--
0013	PVVR13440		SHELL PROTECTI. ST	2,00			--
0015	LCPR46571		TUBE 1/4 L=352 ZC.	1,00			--
0016	MPVR46572		SPACER P 330 ST	1,00			--
0017	VTRS04931		WASHER COPPER D.13X19X1.5	1,00			--
0018	PVVR13445		CONNECTION M 22X1,5 L=45	1,00			--
0019	RCVR13030		GUDGEON G 1/4 F L=31.5	1,00			--
0020	GUVR10526		ANTI-EXTR.RING D.13.9X10.2 C.BZ	1,00			--
0021	GUGO10525		O-RING D. 9.3 X 2.4 NBR 70SH	1,00			--



Ref. K	Part n.	Part n. 2	Description	Quantity	Validity		Price
					From	To	
0001	VTVR46568		PLUG G 4500	1,00			--
0004	MPVR46563		COVER G 4500	1,00		30/04/2008	--
0004	MPVR40157		COVER G 4500 2V.	1,00	01/05/2008		--
0005	MPVR46572		SPACER P 330 ST	1,00			--
0006	LCPR46571		TUBE 1/4 L=352 ZC.	1,00		30/04/2008	--
0006	LCPR40007		TUBE 1/4 L=352 ZC. 2V.	1,00	01/05/2008		--
0008	MPVR46569		PLATE G 4500 RD.	1,00			--
0009	MPVR40057		TRIGGER G 4500 -SW	1,00			--
0010	PVVR40030		SMALL PISTON TM ST-2300	1,00			--
0011	GUGO10384		O-RING D. 10 X 2.2 VIT 80SH	1,00			--
0012	RCVR13030		GUDGEON G 1/4 F L=31.5	1,00			--
0013	GUVR10526		ANTI-EXTR.RING D.13.9X10.2 C.BZ	1,00			--
0014	MPVR46570		PROTECTION P 330 ST	1,00			--
0015	PVVR13445		CONNECTION M 22X1,5 L=45	1,00			--
0016	MPVR40058		RING NUT G4500 SW.	1,00			--
0017	RCIN40001		JOINT SWIV 4500 3/8"F	1,00		30/04/2008	--
0017	RCIN40005		JOINT SWIV 4500 3/8"F 2V.	1,00	01/05/2008		--
0018	RCIN31641		CONNECTOR SWIV 1500 F	1,00			--
0019	KTRI31645		KIT P 26- 14	1,00			--
0021	PVVR40031		ROD ST-2300	1,00			--
0022	MPVR46562		SHELL G 4500	1,00		30/04/2008	--
0022	MPVR40156		SHELL G 4500 2V.	1,00	01/05/2008		--
0023	PVVR40023		TUBE G 1/4" M/M P/SW.	1,00			--
0024	GUGO27021		O-RING D. 11 X 2.5 EPD 70SH	1,00	01/05/2008		--