

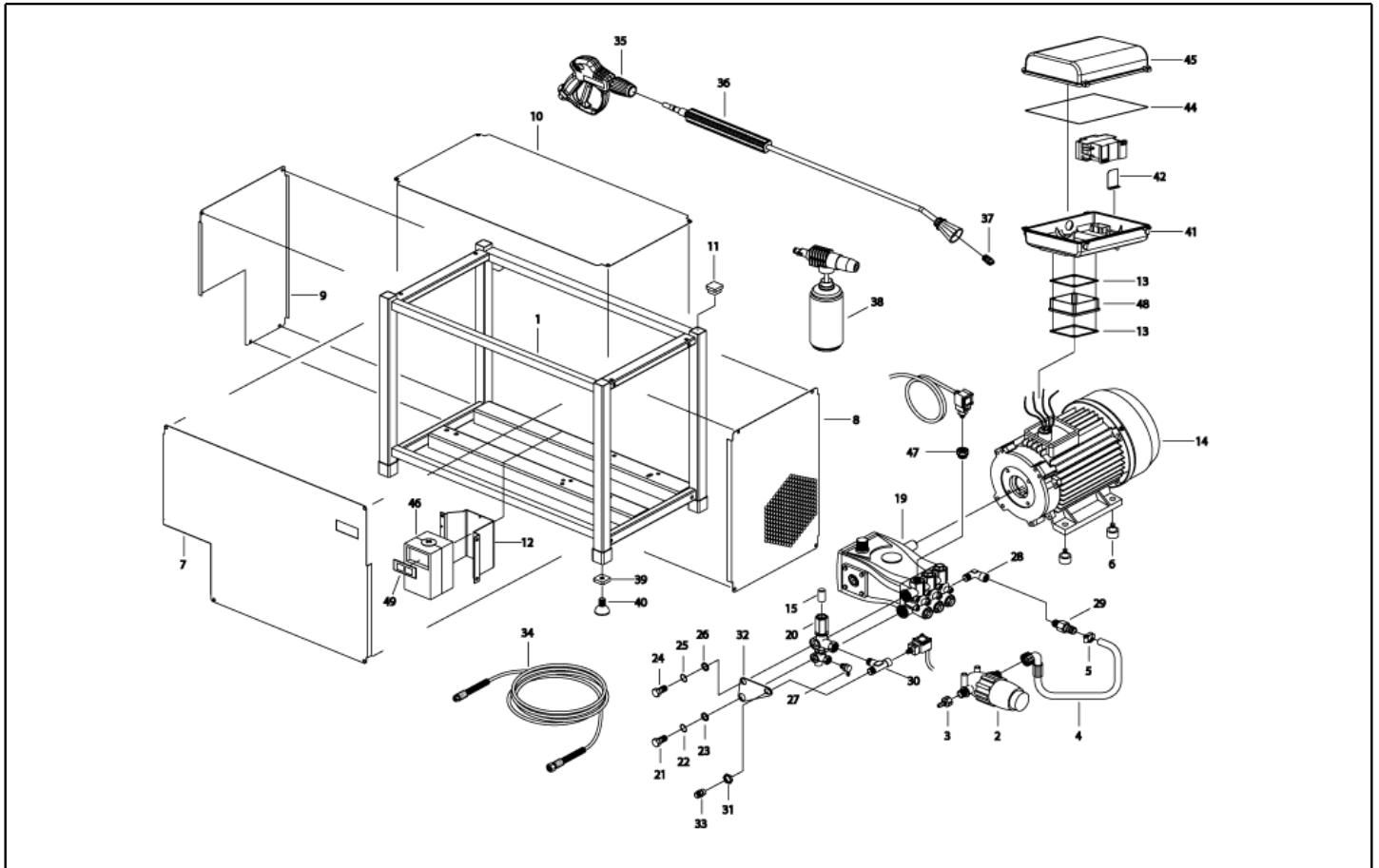


IPC

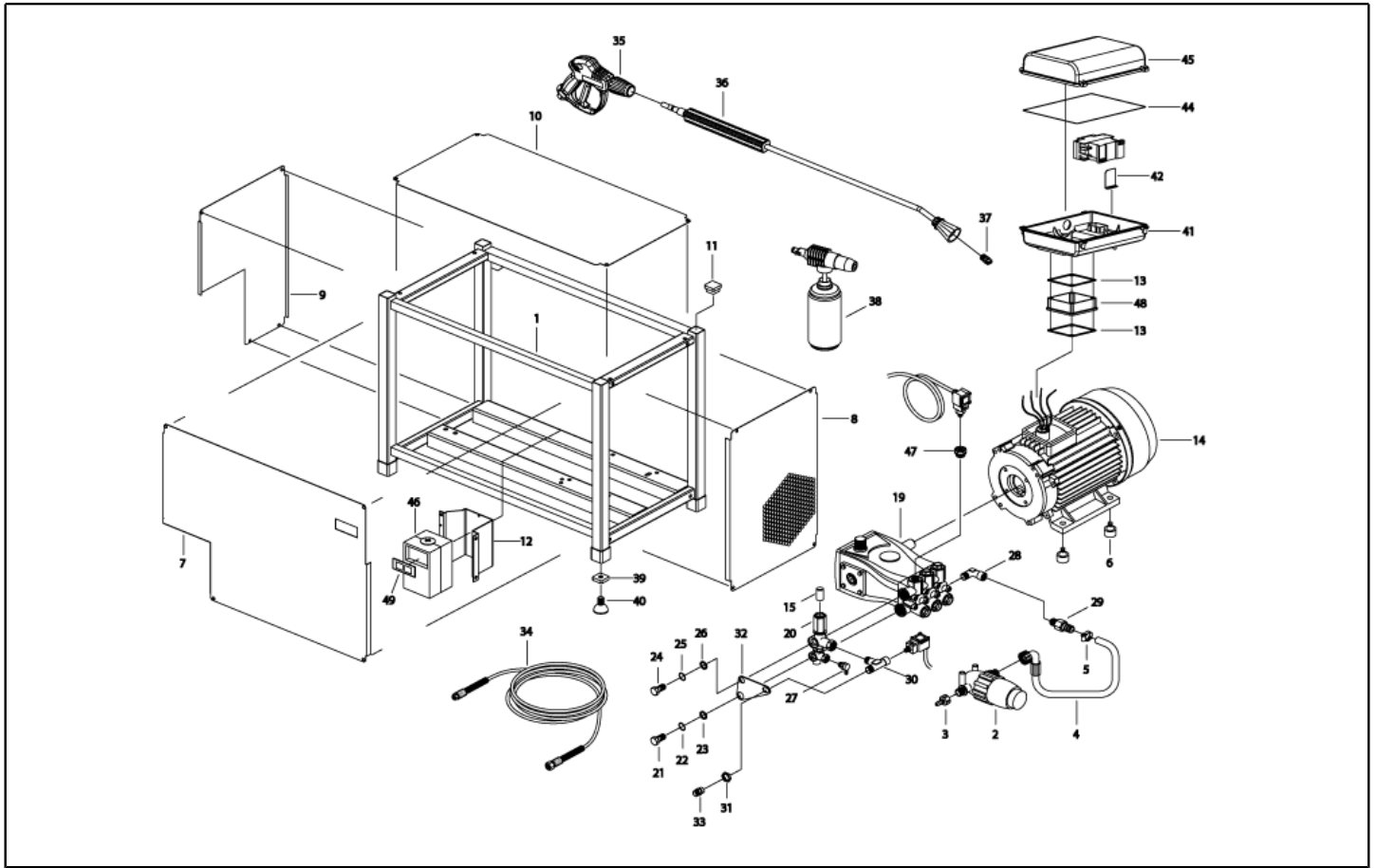
Spare parts list

Ref: IDAF40463

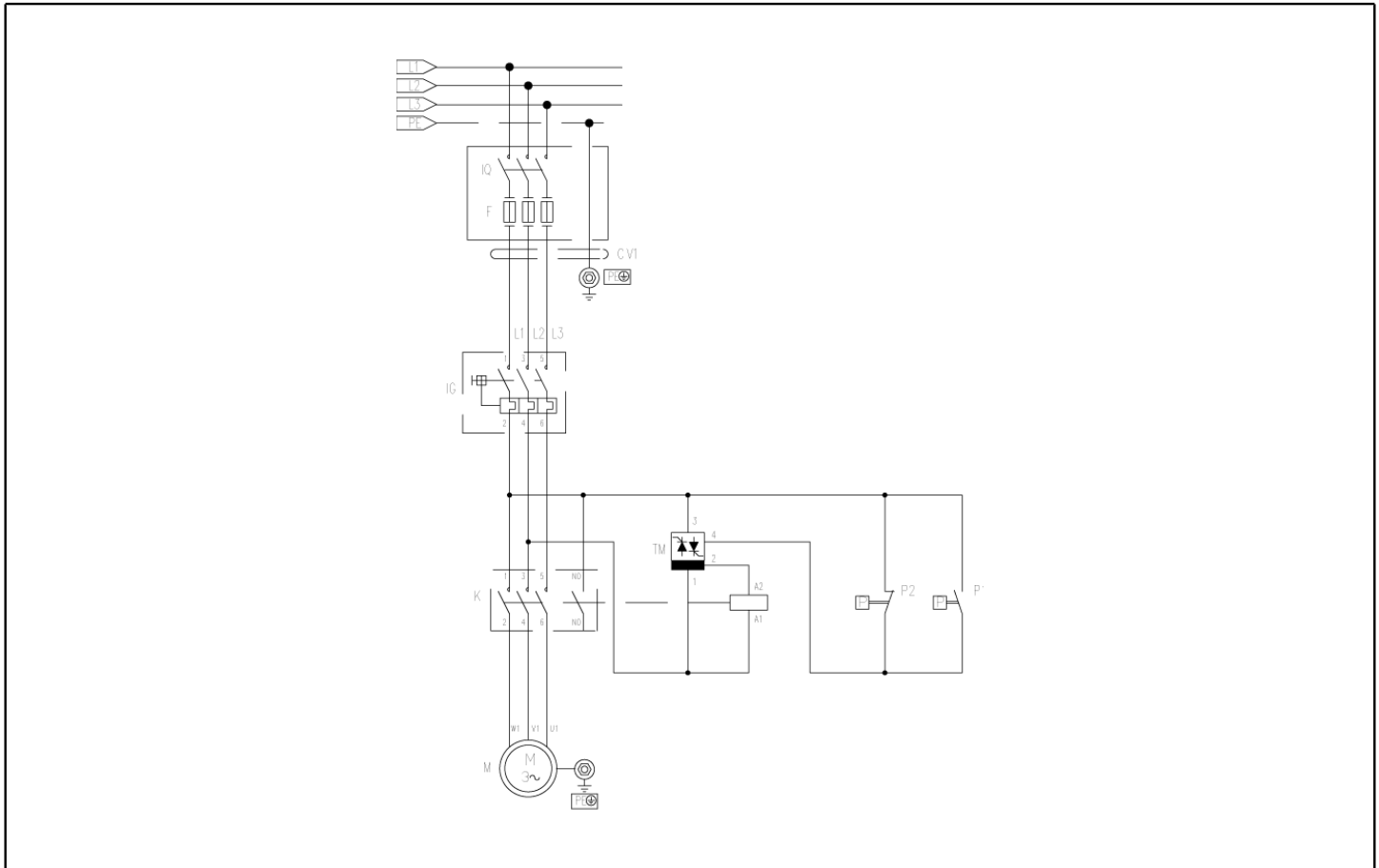
Model: H.P. CLEANER ML C. DS 2840T 400/50 PRS



| Ref. K | Part n. | Part n. 2 | Description | Quantity | Validity | | Price |
|--------|-----------|-----------|-------------------------------------------|----------|------------|------------|-------|
| | | | | | From | To | |
| 0001 | LAFN40426 | | FRAME MURALE M.L.C | 1,00 | 01/07/2012 | | -- |
| 0002 | FTAC40010 | | WATER FILTER 3/4 MM 100MS ARG | 1,00 | | | -- |
| 0003 | RCVR29600 | | SOCKET PTC 3/4 F | 1,00 | | | -- |
| 0004 | TBBP40041 | | L.P. HOSE L=500 3/4F 90° -LIB. | 1,00 | | | -- |
| 0005 | FSVR00431 | | CLAMP D. 16-25 | 1,00 | | | -- |
| 0006 | ABGO13580 | | VIBRATION DAMP. 30X20- 2M8X23 -60+5SH | 4,00 | | 31/03/2015 | -- |
| 0006 | ABGO93800 | | VIBRATION DAMP. CL.30X25- 2M8X30-60SH NBR | 4,00 | 01/04/2015 | | -- |
| 0007 | LAFN40507 | | ANT. PANEL MURALE M.L.C RD. | 1,00 | | | -- |
| 0008 | LAFN40509 | | LAT. PANEL MURALE M.L.C RD. | 1,00 | | | -- |
| 0009 | LAFN40511 | | LAT. PANEL MURALE M.L.C SX RD. | 1,00 | | | -- |
| 0010 | LAFN40512 | | PANEL SUP. MODULO MUR.M.L.C RD. | 1,00 | | | -- |
| 0011 | MPVR06292 | | | 4,00 | | | -- |
| 0012 | LAFN40447 | | PLATE FISS. Q.EL. x MUR.M.L.C | 1,00 | | | -- |
| 0013 | GUGO10881 | | GASKET M.EL. 73X73 | 1,00 | | | -- |
| 0013 | GUGO10881 | | GASKET M.EL. 73X73 | 2,00 | 01/08/2012 | | -- |
| 0013 | GUGO41631 | | GASKET GR 80 -MEC 80/112 | 2,00 | | 31/07/2012 | -- |
| 0014 | MOTR40014 | | 3PH MOTOR B3-B14/AC HP5.5 400-50 2P | 1,00 | | | -- |
| 0015 | PVVR40273 | | ADAPTER VRF-2 RG. | 1,00 | 21/01/2013 | | -- |
| 0019 | PPAP40056 | | PUMP RCS 13.18 DX N | 1,00 | | | -- |
| 0020 | VVAZ40017 | | VALVE MV 625 AR-R AF S/I.RG. | 1,00 | | 20/01/2013 | -- |
| 0020 | VVAZ40031 | | VALVE VRF-2 AR-R AF S/I. | 1,00 | 21/01/2013 | | -- |
| 0021 | RCDS40103 | | SCREW G 1/2 L=50 INX | 1,00 | | | -- |
| 0022 | GUGO22259 | | O-RING D. 15.54 X 2.62 NBR 70SH | 1,00 | | | -- |
| 0023 | VTRS12491 | | WASHER 1/2 | 1,00 | | 28/02/2014 | -- |
| 0023 | VTRS40023 | | WASHER D.21.5X27 X1.5 AL. | 1,00 | 01/03/2014 | | -- |
| 0024 | RCDS40104 | | SCREW G 3/8 L=50 INX | 1,00 | | | -- |
| 0025 | GUGO03510 | | O-RING D. 12.37 X 2.62 NBR 70SH | 1,00 | | | -- |
| 0026 | VTRS12492 | | WASHER 3/8 | 1,00 | | 28/02/2014 | -- |
| 0026 | VTRS40022 | | WASHER D.17 X23 X1.5 AL. | 1,00 | 01/03/2014 | | -- |
| 0028 | RCVR00575 | | ELBOW 1/2" M/F A10 | 1,00 | | | -- |
| 0029 | RCVR40039 | | HOSE FITTING 1/2 M D.12-16 NIK | 1,00 | | | -- |
| 0030 | RCVR72850 | | CONNECTOR A T 3/8M-3/8M-1/4F-OT | 1,00 | | | -- |
| 0031 | RCDS40105 | | LOCKNUT G 3/8 ES.19 SP.4 OT | 1,00 | | | -- |
| 0032 | LAFN40434 | | BRACKET VALV.AZZERAM. M.L.C. INOX | 1,00 | | | -- |
| 0033 | RCDS72894 | | CONNECTOR M22x1,5-3/8" | 1,00 | | | -- |
| 0034 | TBAP25324 | | H.P. HOSE R1 MT 10 5/16" C/2 IRV ZC | 1,00 | | | -- |
| 0035 | IPIP40006 | | GRIP G 5100+AT.RAP.AR3-K +SW.M | 1,00 | | 14/04/2016 | -- |
| 0035 | IPIP40014 | | GRIP G 6000+AT.RAP.AR4-K +SW.M | 1,00 | 15/04/2016 | 14/06/2018 | -- |
| 0035 | IPIP40022 | | GRIP G 6000+AT.AR4-K +SW.M 2V. | 1,00 | 15/06/2018 | | -- |
| 0036 | LCLC40004 | | LANCE SF-IX/PU 700 +AR3-K +1/4F | 1,00 | | | -- |
| 0037 | UGLN49991 | | NOZZLE LECH 1/4 2504 | 1,00 | | | -- |
| 0039 | VTVR40018 | | PIN NDX.Q-30x1,5-M8 | 4,00 | 01/07/2012 | | -- |
| 0040 | VTVR40043 | | FOOT D.40 M8X40 SND. | 4,00 | | | -- |
| 0041 | MPVR40334 | | CONTROL BOX PW-C4/50 ABS BK. | 1,00 | | | -- |



| Ref. K | Part n. | Part n. 2 | Description | Quantity | Validity | | Price |
|--------|-----------|-----------|------------------------------|----------|----------|----|-------|
| | | | | | From | To | |
| 0042 | LAFN40458 | | SUPPORT PW-C40 INX | 1,00 | | | -- |
| 0044 | GUGO33675 | | JOINT MOUSSE D. 4 | 0,90 | | | -- |
| 0045 | MPVR40409 | | BOX COVER PW-C40/MLC ABS BK. | 1,00 | | | -- |
| 0046 | MEVR71576 | | BOX WMX | 1,00 | | | -- |
| 0047 | PVVR40183 | | CAP AR RC C/F. 1/8F+OR | 1,00 | | | -- |
| 0048 | MPVR13033 | | SPACER SIC H90 | 1,00 | | | -- |
| 0049 | MEVR71530 | | MAMBRANE WMX CP. | 1,00 | | | -- |



| Ref. K | Part n. | Part n. 2 | Description | Quantity | Validity | | Price |
|--------|-----------|-----------|-------------------------------------------|----------|------------|------------|-------|
| | | | | | From | To | |
| K | METT40013 | | CONTACTOR SIE 3RT 2017-1AV01 400V | 1,00 | 15/10/2014 | | -- |
| K | METT40664 | | CONTACTOR SIE 3RT 1017 1AV01 400V | 1,00 | | 14/10/2014 | -- |
| IG | MECI71645 | | SWITCH WMX MS 25 10-16 A | 1,00 | | | -- |
| P1 | MEPF39741 | | PRESSURE SWITCH MTM 1/8M NA/NC 25B. MICRO | 1,00 | | | -- |
| P2 | MEPF39902 | | PRESSURE SWITCH MTM 1/4M NA/NC 25B. MICRO | 1,00 | | | -- |
| TM | METY37439 | | TIMER THV/1S 380-415V 30S.5/60 | 1,00 | | 31/08/2015 | -- |
| TM | METY40003 | | TIMER THV/1 400-5/60 30S.2P | 1,00 | 01/09/2015 | | -- |
| CV1 | MECB40182 | | CABLE H07 RNF 4X1.5 L=6.500 | 1,00 | | | -- |



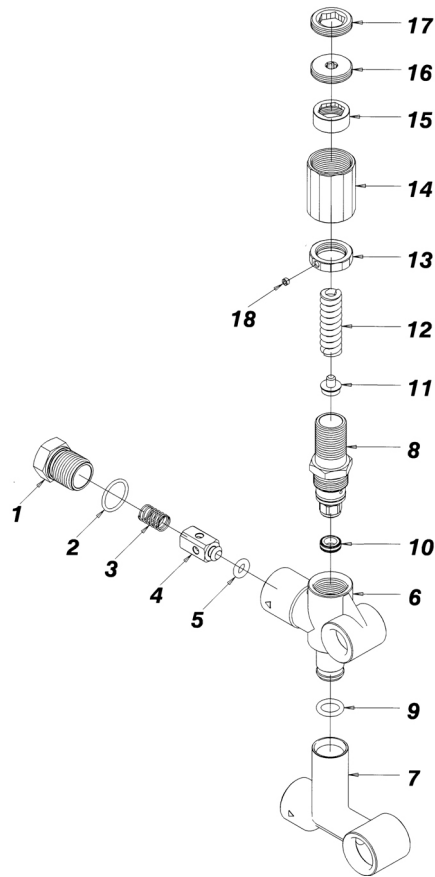
| Ref. K | Part n. | Part n. 2 | Description | Quantity | Validity | | Price |
|--------|-------------|-----------|----------------------------------|----------|------------|------------|-------|
| | | | | | From | To | |
| 0001 | PVVR40120 | | CAP AR RC | 6,00 | | | -- |
| 0002 | GUGO03505 | | O-RING D. 15.6 X 1.78 NBR 70SH | 6,00 | | | -- |
| 0003 | S VVAM40002 | | VALVE UNIT RC | 6,00 | | 31/07/2012 | -- |
| 0003 | S VVAM40002 | | VALVE UNIT RC | 3,00 | 01/08/2012 | | -- |
| 0004 | VTVT06236 | | SCREW TCCE UNI 5931 6X40 ZB | 8,00 | | | -- |
| 0005 | VTRS01077 | | WASHER D. 6.4X10X0,7 | 8,00 | | | -- |
| 0006 | MFVR40026 | | HEAD AR RCS OT. | 1,00 | | | -- |
| 0007 | GUGO19245 | | O-RING D. 17.5 X 2 NBR 70SH | 1,00 | | | -- |
| 0008 | PVVR40121 | | CAP 1/2 M RC | 1,00 | | | -- |
| 0009 | GUGO09720 | | O-RING D. 14 X 1.78 NBR 70SH | 1,00 | | | -- |
| 0010 | PVVR40099 | | CAP 3/8 M HRM | 1,00 | | | -- |
| 0011 | S PVVR40158 | | HEAD RING D. 15 RCS | 3,00 | | | -- |
| 0012 | S GUVR40028 | | PACKING D. 15 XJS | 3,00 | | | -- |
| 0013 | PVVR40159 | | INTERMED. RING D. 15 RCS | 3,00 | | | -- |
| 0014 | S GUVR40041 | | PACKING D. 15 RCS L.P. | 3,00 | | | -- |
| 0015 | S GUVR40042 | | ANTI-EXTR.RING D.15 | 3,00 | | | -- |
| 0016 | S GUGO08182 | | O-RING D. 21.91 X 1.78 NBR 70SH | 3,00 | | | -- |
| 0017 | PVVR40160 | | PACKING RETAIN. D. 15 RCS | 3,00 | | | -- |
| 0018 | MFVR40027 | | PUMP CRANKCASE AR RCS | 1,00 | | | -- |
| 0019 | CUVR28336 | | BALL BEARING 6304 | 1,00 | | | -- |
| 0020 | VTAE09661 | | CIRCLIP D. 52 UNI 7437 | 1,00 | | | -- |
| 0021 | VTAE06193 | | CIRCLIP D. 20 UNI 7435 | 1,00 | | | -- |
| 0022 | GUGO02561 | | O-RING D. 47.3 X 2.62 NBR 70SH | 1,00 | | | -- |
| 0023 | PVVR40125 | | DISC RC | 1,00 | | 31/03/2016 | -- |
| 0023 | PVVR40472 | | OIL INDICATOR RC CPL. | 1,00 | 01/04/2016 | | -- |
| 0024 | PVVR40126 | | OIL INDICATOR RC | 1,00 | | 31/03/2016 | -- |
| 0025 | MFVR40021 | | CRANKCASE COVER AR RC LT. | 1,00 | | | -- |
| 0026 | VTVT01531 | | SCREW TE 6X 16 UNI 5739 | 8,00 | | | -- |
| 0027 | PVVR19231 | | OIL CAP XTS | 1,00 | | 31/03/2014 | -- |
| 0027 | PVVR40436 | | OIL CAP RC | 1,00 | 01/04/2014 | | -- |
| 0028 | VTDD00483 | | NUT M 8 ZIN UNI 5588 | 3,00 | | | -- |
| 0029 | VTRS19394 | | WASHER D. 8X13X0,5 | 3,00 | | | -- |
| 0030 | S PIVR19232 | | PISTON D. 15 XTS | 3,00 | | | -- |
| 0031 | PVVR19233 | | DISC XTS | 3,00 | | | -- |
| 0032 | S GUGO09690 | | OIL SEAL 15X 24X 5 NBR70 | 3,00 | | | -- |
| 0033 | GUGO08071 | | O-RING D. 4.48 X 1.78 NBR 70SH | 3,00 | | | -- |
| 0034 | PVVR40127 | | PISTON GUIDE RC | 3,00 | | | -- |
| 0035 | BLVR40001 | | CONNECTING ROD RC | 3,00 | | | -- |
| 0036 | PVVR40128 | | GUIDGEON D. 9X23 RC | 3,00 | | | -- |
| 0037 | GUGO18695 | | O-RING D. 101.27 X 2.62 NBR 70SH | 1,00 | | | -- |
| 0038 | MFVR40022 | | CRANKCASE COVER AR RC | 1,00 | | | -- |
| 0039 | GUGO01036 | | O-RING D. 10.82 X 1.78 NBR 70SH | 1,00 | | | -- |
| 0040 | PVVR40129 | | CAP 1/4 M RC | 1,00 | | | -- |
| 0041 | VTVT09913 | | SCREW TCEI 6X16 UNI5931 | 4,00 | | | -- |



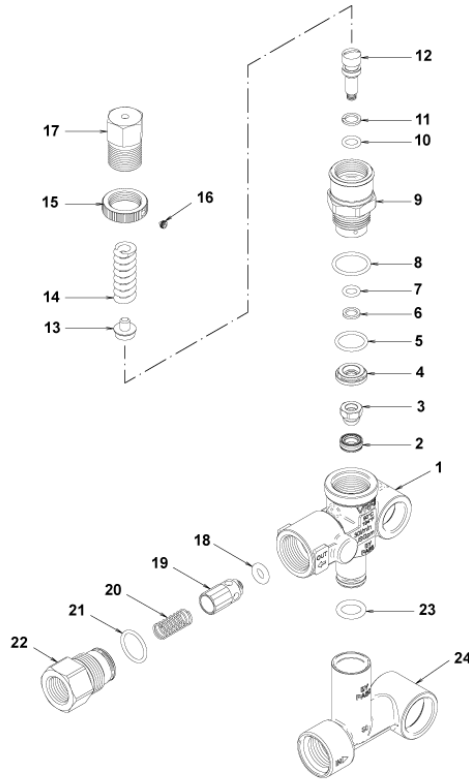
| Ref. K | Part n. | Part n. 2 | Description | Quantity | Validity | | Price |
|--------|-------------|-----------|--------------------------|----------|------------|----|-------|
| | | | | | From | To | |
| 0042 | ALMO40010 | | SHAFT AR RCS 13LT VRS. N | 1,00 | | | -- |
| 0043 | VTVR41531 | | KEY 8X 7X35 UNI 6604A | 1,00 | | | -- |
| 0044 | CUVR23636 | | ROLLER BEARING HK 4516 | 1,00 | | | -- |
| 0045 | S GUGO00999 | | OIL SEAL 25X 52X 7 NBR70 | 1,00 | | | -- |
| 0050 | S VVAM40007 | | VALVE UNIT RC ASP. BK | 3,00 | 01/08/2012 | | -- |
| 0051 | PVVR40437 | | RING D. 51.8 X0.5 | 1,00 | 01/04/2014 | | -- |



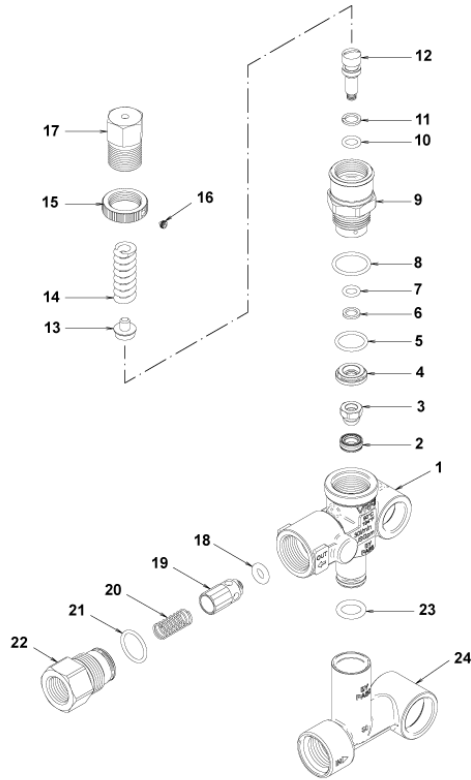
| Ref. Part n. | Part n. 2 | Description | Reference | Price |
|--------------|-----------|-------------------------------|---------------------|-------|
| KTRI40092 | | KIT P 15-2186 RC | 0003 | -- |
| KTRI40096 | | KIT P 15-42918 RC | 0032 0045 | -- |
| KTRI40139 | | KIT P 15-42920 D.15 RCS | 0030 | -- |
| KTRI40140 | | KIT P 15-42921 D.15 RCS | 0012 0014 0015 0016 | -- |
| KTRI40141 | | KIT P 15-2191 D.15 RCS | 0011 | -- |
| KTRI40207 | | KIT P 15-42914 RC 3+3 BL./WH. | 0003 0003 | -- |



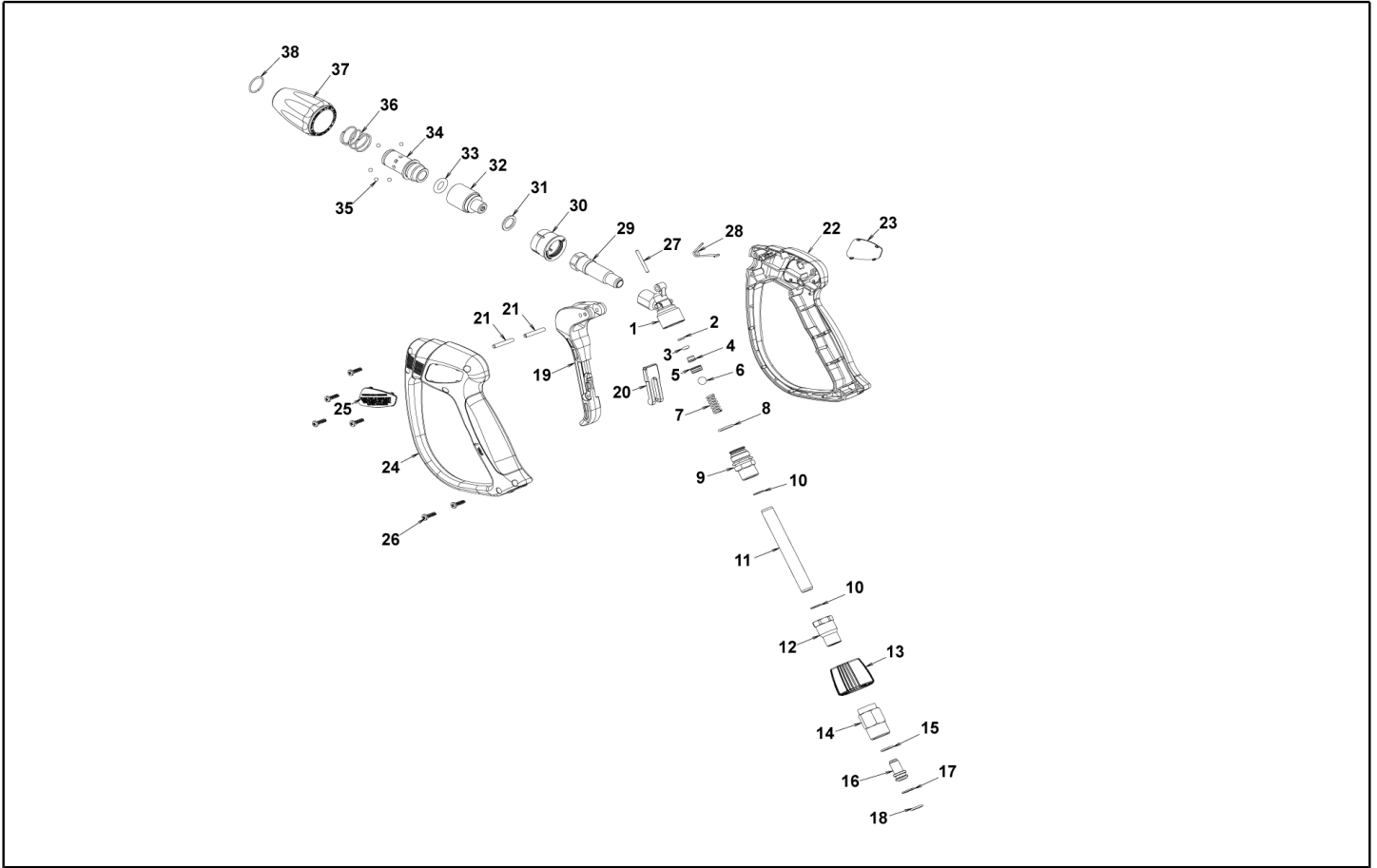
| Ref. K | Part n. | Part n. 2 | Description | Quantity | Validity | | Price |
|--------|-----------|-----------|---------------------------------|----------|----------|----|-------|
| | | | | | From | To | |
| 0001 | PVVR47977 | | CONNECTOR MV625 G 3/8F | 1,00 | | | -- |
| 0002 | GUGO01058 | | O-RING D. 17.17 X 1.78 NBR 70SH | 1,00 | | | -- |
| 0003 | MLML47978 | | SPRING MV 625 | 1,00 | | | -- |
| 0004 | PVVR47979 | | PIN MV 625 | 1,00 | | | -- |
| 0005 | GUGO46053 | | O-RING D. 6 X 3 NBR 90SH | 1,00 | | | -- |
| 0006 | PVVR47980 | | VALVE BODY MV 625 | 1,00 | | | -- |
| 0007 | PVVR40271 | | CONNECTOR MV 625-RR | 1,00 | | | -- |
| 0008 | PVVR47988 | | CONNECTOR MV 625 REG. | 1,00 | | | -- |
| 0009 | GUGO11225 | | O-RING D. 10.78 X 2.62 NBR 70SH | 1,00 | | | -- |
| 0010 | PVVR47985 | | VALVE SEAT MV 625 + O-RING | 1,00 | | | -- |
| 0011 | PVVR47986 | | SPRING PLATE MV 625 | 1,00 | | | -- |
| 0012 | MLML47987 | | SPRING D. 3.25X41.1 MV 625 | 1,00 | | | -- |
| 0013 | PVVR47984 | | RING NUT MV 625 | 1,00 | | | -- |
| 0014 | PVVR47989 | | CAP MV 625 REG. | 1,00 | | | -- |
| 0015 | PVVR47990 | | RING NUT MV 625 REG. | 1,00 | | | -- |
| 0016 | PVVR47991 | | REGISTER MV 625 REG. | 1,00 | | | -- |
| 0017 | PVVR47992 | | CLAMP MV 625 REG. | 1,00 | | | -- |
| 0018 | VTVT24918 | | SCREW EI-ST 4X 4 UNI5927 | 1,00 | | | -- |
| 9999 | RCDS40134 | | SCREW 1/4 MV165 84 OT | 1,00 | | | -- |
| 9999 | RCDS40135 | | SCREW 3/8 MV165 71 OT | 1,00 | | | -- |



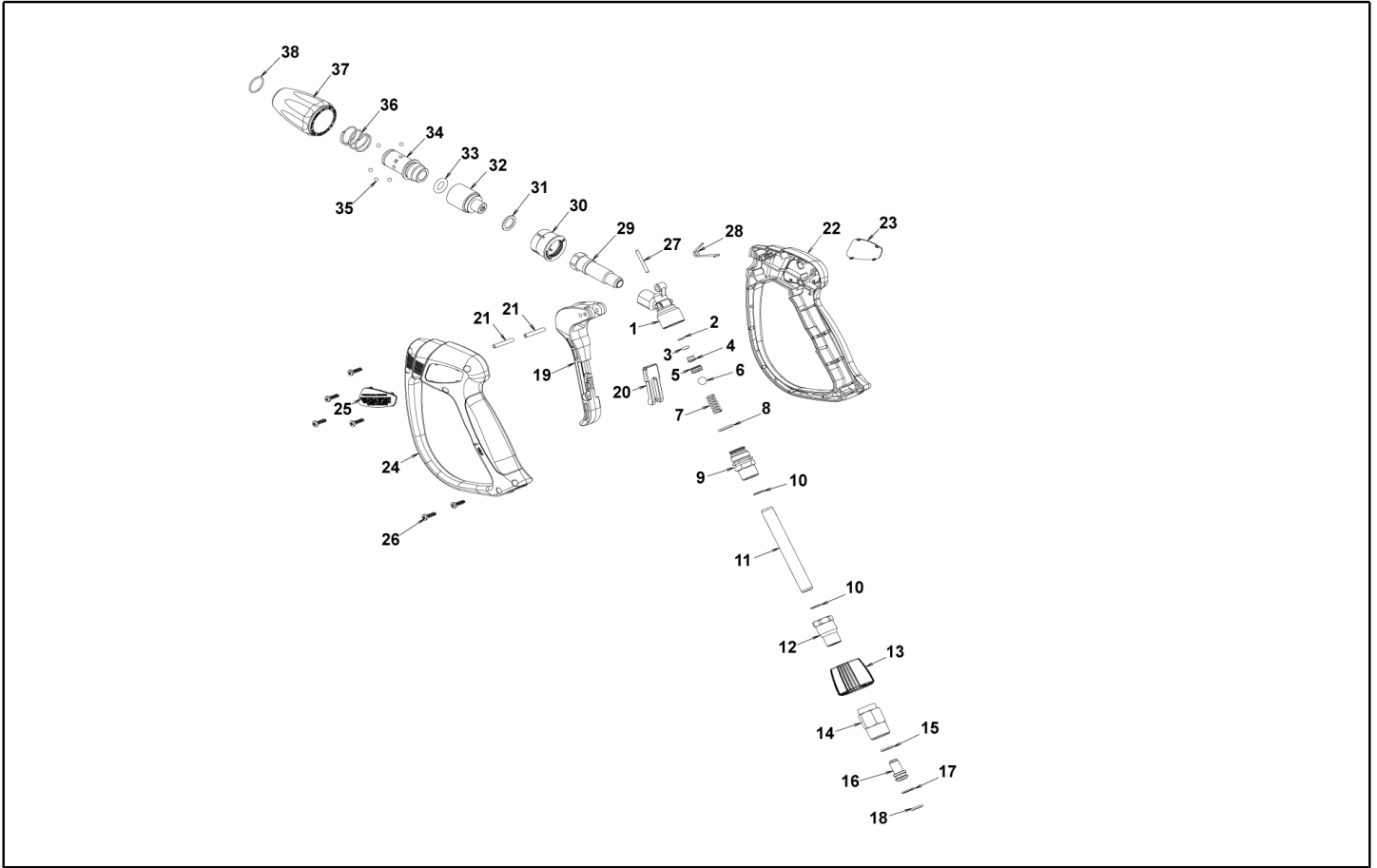
| Ref. K | Part n. | Part n. 2 | Description | Quantity | Validity | | Price |
|--------|-------------|-----------|-----------------------------------|----------|----------|----|-------|
| | | | | | From | To | |
| 0001 | PVVR40362 | | VALVE BODY VRF2 | 1,00 | | | -- |
| 0002 | S PVVR40363 | | VALVE SEAT MV124 +OR | 1,00 | | | -- |
| 0003 | S PVVR40364 | | COUPLING MV124 | 1,00 | | | -- |
| 0004 | S PVVR40365 | | SPACER MV124 | 1,00 | | | -- |
| 0005 | S GUGO12322 | | O-RING D. 14 X 1.78 NBR 90SH | 1,00 | | | -- |
| 0006 | S GUVR40072 | | ANTI-EXTR.RING D. 6.5X 9.4 | 1,00 | | | -- |
| 0007 | S GUGO83861 | | O-RING D. 6.07 X 1.78 NBR 90SH | 1,00 | | | -- |
| 0008 | S GUGO24913 | | O-RING D. 17.17 X 1.78 NBR 90SH | 1,00 | | | -- |
| 0009 | S PVVR40366 | | CONNECTOR VRF2 D.10 | 1,00 | | | -- |
| 0010 | S GUGO03500 | | O-RING D. 6.75 X 1.78 NBR 70SH | 1,00 | | | -- |
| 0011 | S GUVR40073 | | ANTI-EXTR.RING D. 7.1X10 X1.2 TBT | 1,00 | | | -- |
| 0012 | S PVVR40367 | | SMALL PISTON D.10 VRF2 | 1,00 | | | -- |
| 0013 | PVVR40368 | | SPRING PLATE MV124 25B | 1,00 | | | -- |
| 0014 | MLML40027 | | SPRING D. 3.0/6.0 X38.85 | 1,00 | | | -- |
| 0015 | PVVR40369 | | RING NUT MV167.09 | 1,00 | | | -- |
| 0016 | VTVT89696 | | SCREW EI-ST 4X 4 UNI5927 ZC | 1,00 | | | -- |
| 0017 | PVVR40370 | | CAP VRF2 M18X1 | 1,00 | | | -- |
| 0018 | S GUGO46053 | | O-RING D. 6 X 3 NBR 90SH | 1,00 | | | -- |
| 0019 | S PVVR40349 | | COUPLING VRT3 | 1,00 | | | -- |
| 0020 | S MLML40026 | | SPRING VRT3 | 1,00 | | | -- |
| 0021 | S GUGO12321 | | O-RING D. 15.6 X 1.78 NBR 90SH | 1,00 | | | -- |
| 0022 | PVVR40350 | | CONNECTOR VRT3 G 3/8F | 1,00 | | | -- |
| 0023 | GUGO11225 | | O-RING D. 10.78 X 2.62 NBR 70SH | 1,00 | | | -- |
| 0024 | PVVR40373 | | CONNECTOR VRF2.24 | 1,00 | | | -- |



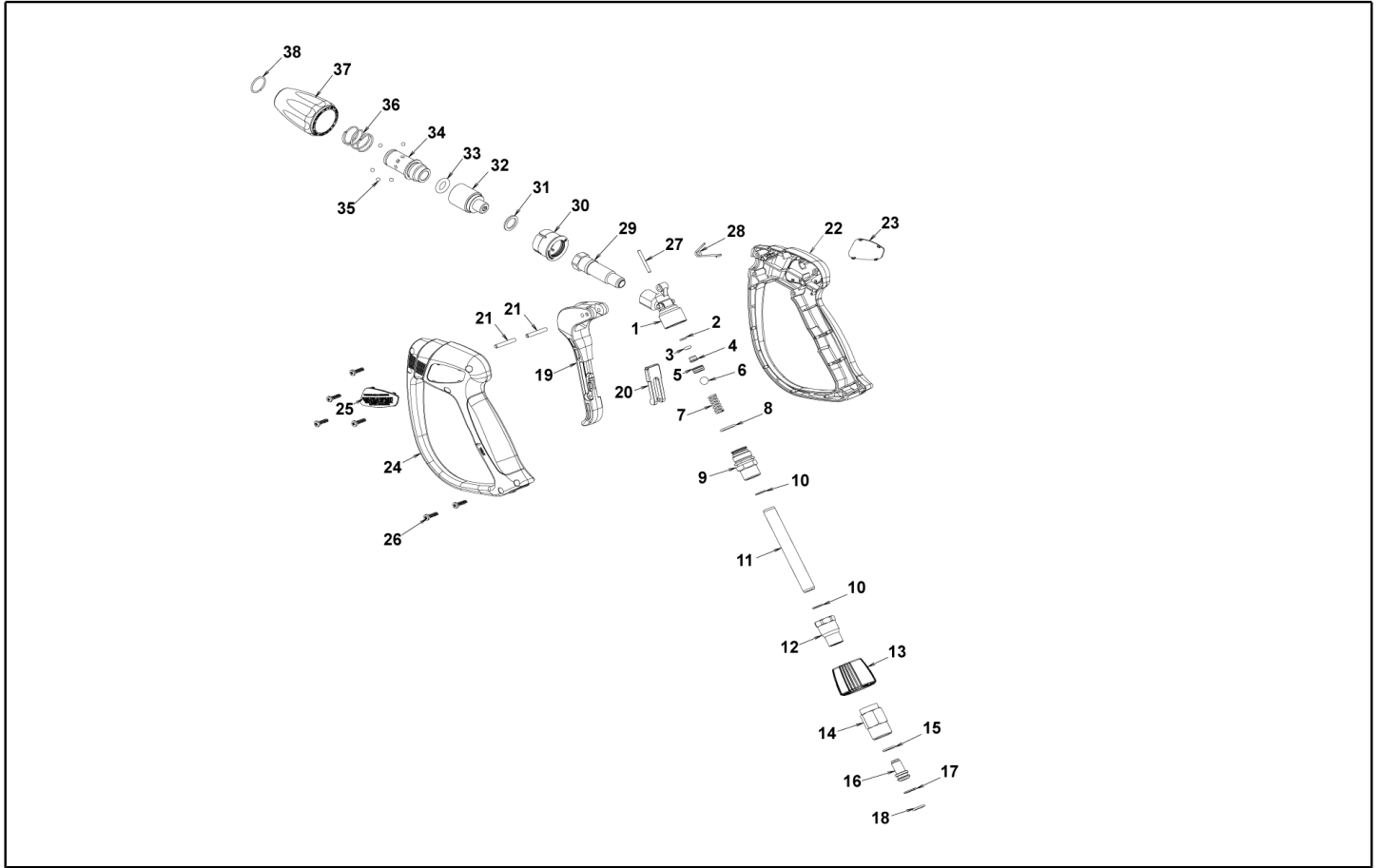
| Ref. Part n. | Part n. 2 | Description | Reference | Price |
|--------------|-----------|------------------------|-------------------------------------------------------------------------------|-------|
| KTRI40236 | | KIT P 14-103 VRF2 | 0002 0003 0004 0005 0006 0007 0008 0009 0010 0011 0012 0018 0019 0020 0021 | -- |
| KTRI40237 | | KIT P 14-104 SEAL VRF2 | 0002 0003 0005 0006 0007 0008 0010 0011 0018 0021 | -- |



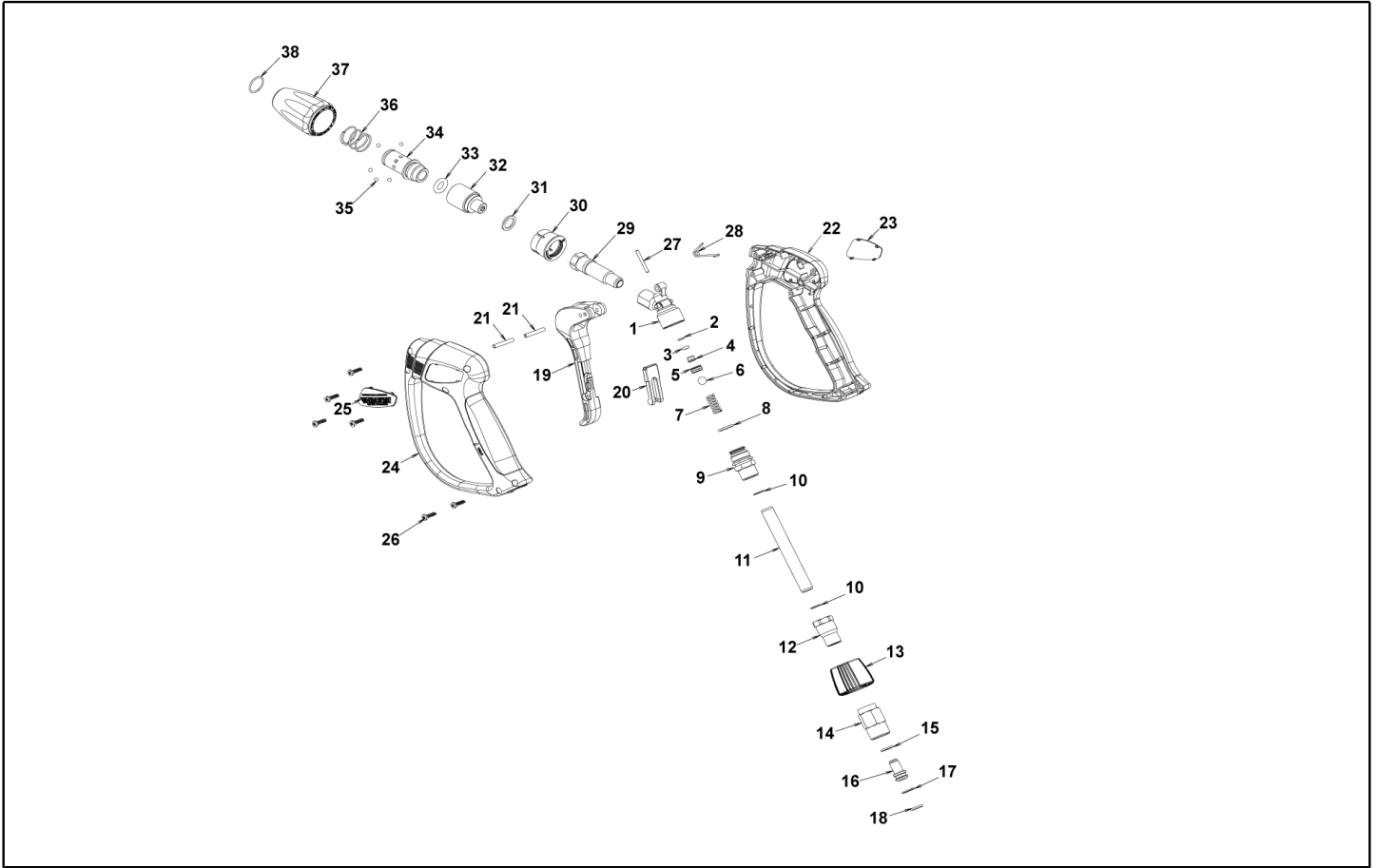
| Ref. K | Part n. | Part n. 2 | Description | Quantity | Validity | | Price |
|--------|-----------|-----------|---------------------------------|----------|----------|----|-------|
| | | | | | From | To | |
| 0001 | PVVR40381 | | GUN BODY G 5100 G1/4F | 1,00 | | | -- |
| 0002 | S | GUVR40074 | ANTI-EXTR.RING D. 3 X 7.4X1.3 | 1,00 | | | -- |
| 0003 | S | GUGO21835 | O-RING D. 2.84 X 2.62 VIT. 80SH | 1,00 | | | -- |
| 0004 | | PVVR40382 | PISTON GUIDE G 5100 | 1,00 | | | -- |
| 0005 | S | PVVR40112 | BALL SEAT G 5000 | 1,00 | | | -- |
| 0006 | S | SFVR40002 | BALL D.11/32" ALL GR16 | 1,00 | | | -- |
| 0007 | | MLML40016 | SPRING D. 9.4 x21.5x1.6 G5000 | 1,00 | | | -- |
| 0008 | | GUGO12322 | O-RING D. 14 X 1.78 NBR 90SH | 1,00 | | | -- |
| 0009 | | PVVR40383 | CONNECTOR COLL.G5100 1/4F | 1,00 | | | -- |
| 0010 | | VTRS40017 | WASHER D. 8.2X11,4X1.00 | 2,00 | | | -- |
| 0011 | | PVVR40384 | TUBE G 1/4" L.105 | 1,00 | | | -- |
| 0012 | | RCIN40022 | CONNECTOR SWIV G5100 1/4F | 1,00 | | | -- |
| 0013 | | MPVR40819 | RING NUT G 5100 SW. BK. | 1,00 | | | -- |
| 0014 | | RCIN40021 | JOINT SWIV 5100 M22 | 1,00 | | | -- |
| 0015 | S | GUVR40075 | ANTI-EXTR.RING D. 10 X14X1.5 | 1,00 | | | -- |
| 0016 | | PVVR40386 | SCREW SW. G 5100 | 1,00 | | | -- |
| 0017 | S | GUVR40076 | ANTI-EXTR.RING D. 11.2X14X1.2 | 1,00 | | | -- |
| 0018 | S | GUGO15295 | O-RING D. 10.82 X 1.78 VIT 75SH | 1,00 | | | -- |
| 0019 | | MPVR40820 | TRIGGER G 6000-SW | 1,00 | | | -- |
| 0020 | | MPVR40821 | SAFETY-DEVICE G 6000-SW | 1,00 | | | -- |
| 0021 | | VTVR40047 | PLUG D. 4X29 | 2,00 | | | -- |
| 0022 | | MPVR40822 | SHELL G 6000-SW DX | 1,00 | | | -- |
| 0023 | | MPVR40823 | PLATE G 6000 GR.DX | 1,00 | | | -- |
| 0024 | | MPVR40824 | SHELL G 6000-SW SX | 1,00 | | | -- |
| 0025 | | MPVR40825 | PLATE G 6000 GR.SX | 1,00 | | | -- |
| 0026 | | VTVT40043 | SCREW AF 4X 14 HILO ZN.N | 6,00 | | | -- |
| 0027 | | PVVR40387 | SMALL PISTON G 5100 | 1,00 | | | -- |
| 0028 | | MLML40029 | SPRING G 5100 | 1,00 | | | -- |
| 0029 | | PVVR40521 | CONNECTOR AL55 G1/4F | 1,00 | | | -- |
| 0030 | | MPVR40856 | PROTECTION AR 4 | 1,00 | | | -- |
| 0031 | | VTRS48089 | WASHER D.13,5X18 X1,5 RM. | 1,00 | | | -- |
| 0032 | | PVVR40522 | CONNECTOR AR 4 G1/4 M OT | 1,00 | | | -- |
| 0033 | | GUGO40079 | O-RING D. 11 X 4 VIT 75SH | 1,00 | | | -- |
| 0034 | | PVVR40523 | JOINT BODY AR 4 OT | 1,00 | | | -- |
| 0035 | | SFVR40003 | BALL D.5/32" AISI 420C I.3290 | 8,00 | | | -- |
| 0036 | | MLML40043 | SPRING D. 23 X24.0 D.1.4 IX | 1,00 | | | -- |
| 0037 | | PVVR40524 | KNOB AR 4 INS.OT | 1,00 | | | -- |
| 0038 | | VTAE40010 | CIRCLIP D.18 -D.1.5 AR 4 | 1,00 | | | -- |



| Ref. Part n. | Part n. 2 | Description | Reference | Price |
|--------------|-----------|----------------------------|---------------------|-------|
| KTRI40243 | | KIT P 26- 26 SWIVEL G 5100 | 0015 0017 0018 | -- |
| KTRI40414 | | KIT P 26- 34 G 6000 | 0002 0003 0005 0006 | -- |



| Ref. K | Part n. | Part n. 2 | Description | Quantity | Validity | | Price |
|--------|-----------|-----------|---------------------------------|----------|----------|----|-------|
| | | | | | From | To | |
| 0001 | PVVR40381 | | GUN BODY G 5100 G1/4F | 1,00 | | | -- |
| 0002 | S | GUVR40074 | ANTI-EXTR.RING D. 3 X 7.4X1.3 | 1,00 | | | -- |
| 0003 | S | GUGO21835 | O-RING D. 2.84 X 2.62 VIT. 80SH | 1,00 | | | -- |
| 0004 | PVVR40382 | | PISTON GUIDE G 5100 | 1,00 | | | -- |
| 0005 | S | PVVR40563 | BALL SEAT AL36 G6000 + OR | 1,00 | | | -- |
| 0006 | S | SFVR40004 | BALL D. 5/16" ALL.GR16 | 1,00 | | | -- |
| 0007 | MLML40047 | | SPRING D. 9.4 x23.5x1.6 G6000 | 1,00 | | | -- |
| 0008 | GUGO12322 | | O-RING D. 14 X 1.78 NBR 90SH | 1,00 | | | -- |
| 0009 | PVVR40383 | | CONNECTOR COLL.G5100 1/4F | 1,00 | | | -- |
| 0010 | VTRS40017 | | WASHER D. 8.2X11,4X1.00 | 2,00 | | | -- |
| 0011 | PVVR40384 | | TUBE G 1/4" L.105 | 1,00 | | | -- |
| 0012 | RCIN40022 | | CONNECTOR SWIV G5100 1/4F | 1,00 | | | -- |
| 0013 | MPVR40967 | | RING NUT G 6000 SW. GR. | 1,00 | | | -- |
| 0014 | RCIN40021 | | JOINT SWIV 5100 M22 | 1,00 | | | -- |
| 0015 | S | GUVR40075 | ANTI-EXTR.RING D. 10 X14X1.5 | 1,00 | | | -- |
| 0016 | PVVR40386 | | SCREW SW. G 5100 | 1,00 | | | -- |
| 0017 | S | GUVR40076 | ANTI-EXTR.RING D. 11.2X14X1.2 | 1,00 | | | -- |
| 0018 | S | GUGO15295 | O-RING D. 10.82 X 1.78 VIT 75SH | 1,00 | | | -- |
| 0019 | MPVR40820 | | TRIGGER G 6000-SW | 1,00 | | | -- |
| 0020 | MPVR40821 | | SAFETY-DEVICE G 6000-SW | 1,00 | | | -- |
| 0021 | VTVR40047 | | PLUG D. 4X29 | 2,00 | | | -- |
| 0022 | MPVR40822 | | SHELL G 6000-SW DX | 1,00 | | | -- |
| 0023 | MPVR40968 | | PLATE G 6000/2 GR.DX | 1,00 | | | -- |
| 0024 | MPVR40824 | | SHELL G 6000-SW SX | 1,00 | | | -- |
| 0025 | MPVR40825 | | PLATE G 6000 GR.SX | 1,00 | | | -- |
| 0026 | VTVT40043 | | SCREW AF 4X 14 HILO ZN.N | 6,00 | | | -- |
| 0027 | PVVR40564 | | SMALL PISTON G 6000 AL36 SP. | 1,00 | | | -- |
| 0028 | MLML40029 | | SPRING G 5100 | 1,00 | | | -- |
| 0029 | PVVR40521 | | CONNECTOR AL55 G1/4F | 1,00 | | | -- |
| 0030 | MPVR40856 | | PROTECTION AR 4 | 1,00 | | | -- |
| 0031 | VTRS48089 | | WASHER D.13,5X18 X1,5 RM. | 1,00 | | | -- |
| 0032 | PVVR40522 | | CONNECTOR AR 4 G1/4 M OT | 1,00 | | | -- |
| 0033 | GUGO40079 | | O-RING D. 11 X 4 VIT 75SH | 1,00 | | | -- |
| 0034 | PVVR40523 | | JOINT BODY AR 4 OT | 1,00 | | | -- |
| 0035 | SFVR40003 | | BALL D.5/32" AISI 420C I.3290 | 8,00 | | | -- |
| 0036 | MLML40043 | | SPRING D. 23 X24.0 D.1.4 IX | 1,00 | | | -- |
| 0037 | PVVR40524 | | KNOB AR 4 INS.OT | 1,00 | | | -- |
| 0038 | VTAE40010 | | CIRCLIP D.18 -D.1.5 AR 4 | 1,00 | | | -- |



| Ref. Part n. | Part n. 2 | Description | Reference | Price |
|--------------|-----------|----------------------------|---------------------|-------|
| KTRI40243 | | KIT P 26- 26 SWIVEL G 5100 | 0015 0017 0018 | -- |
| KTRI40513 | | KIT P 26- 36 G 6000/II | 0002 0003 0005 0006 | -- |