



IPC

Spare parts list

Ref: ASDO09851

Cust.ref: ASDO09851

Model: VACUUM CLEANER PANDA 440 GA XP W/ACC.

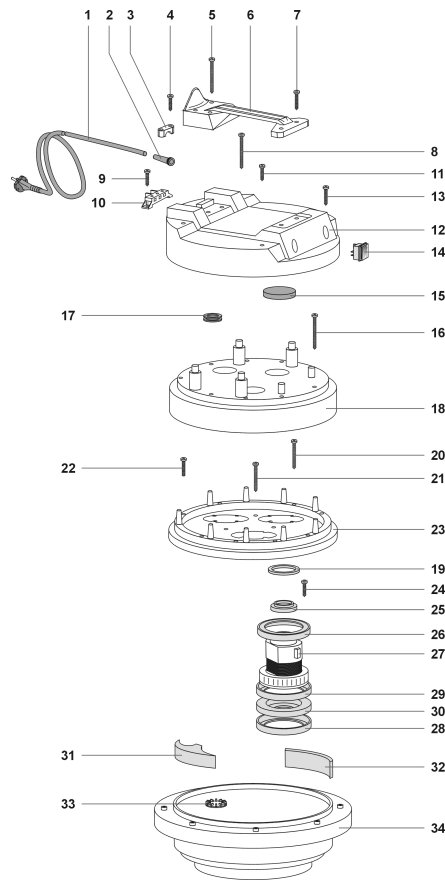
Cust.model: PANDA 440GA XP



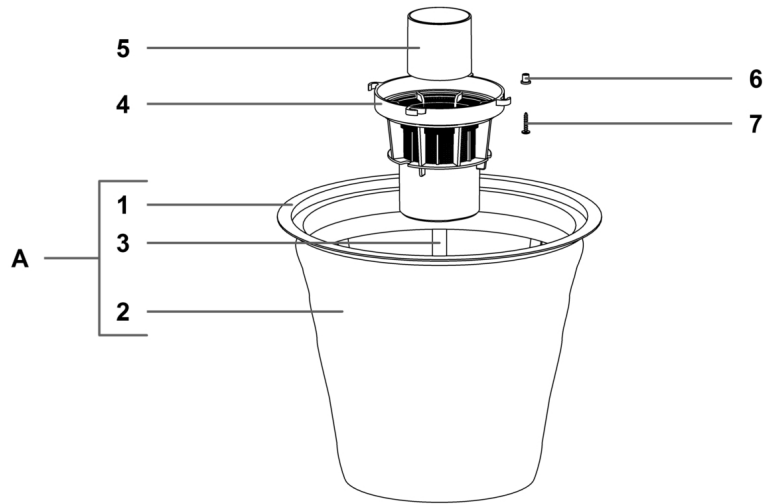
IPC Integrated Professional Cleaning

IPC Soteco

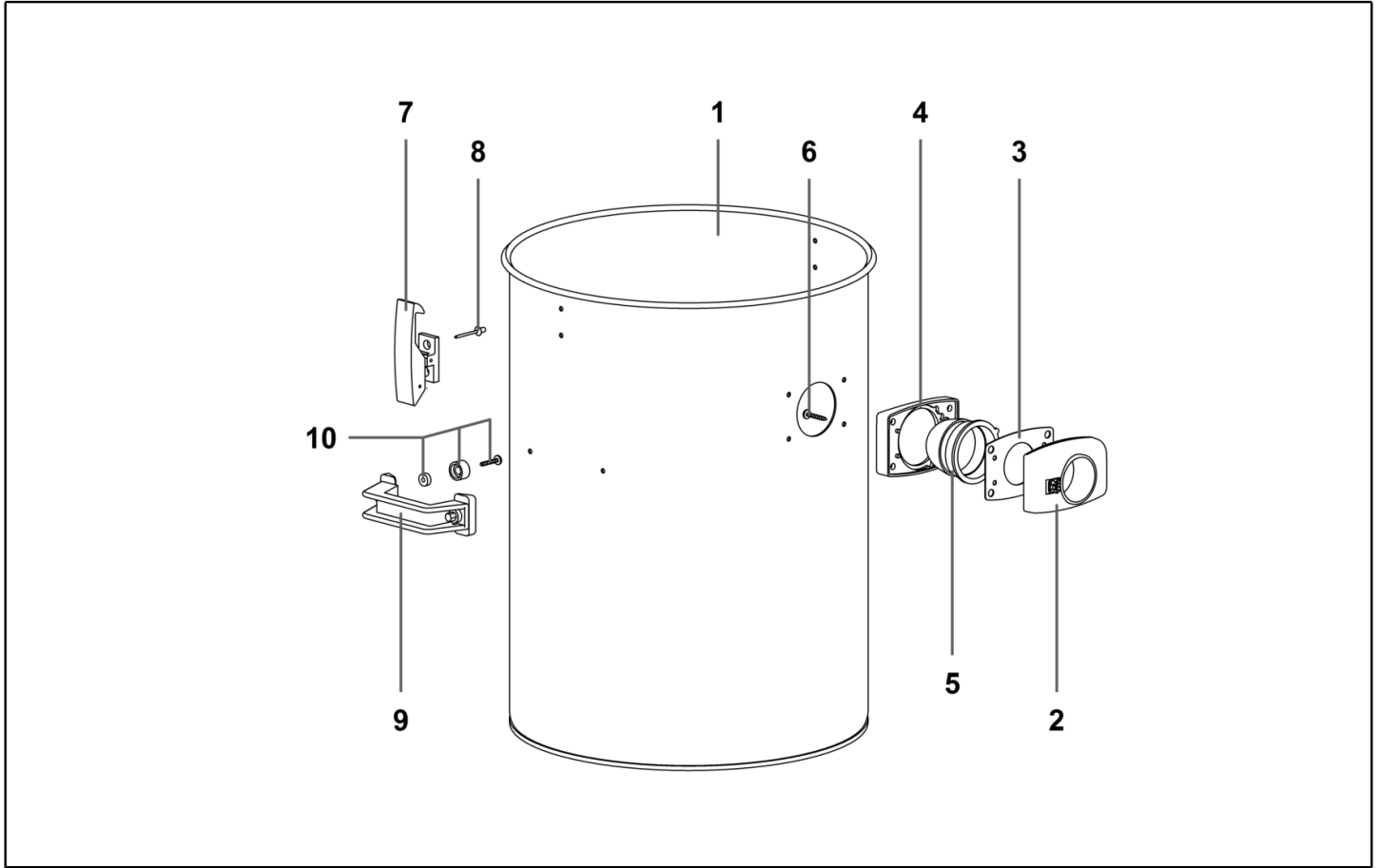
Ref. K	Part n.	Part n. 2	Description	Quantity	Validity		Price
					From	To	
0001	PMTA07763		HEAD PANDA 440 XP MONO RAD	1,00			--
0002	KTRI72229		COMPL.FILTRATION KIT 400	1,00			--
0003	PMFU00317		TANK PANDA 400 AISI 430 COMPLE	1,00			--
0004	CARR01417		TROLLEY 400 G6 COMP.	1,00			--



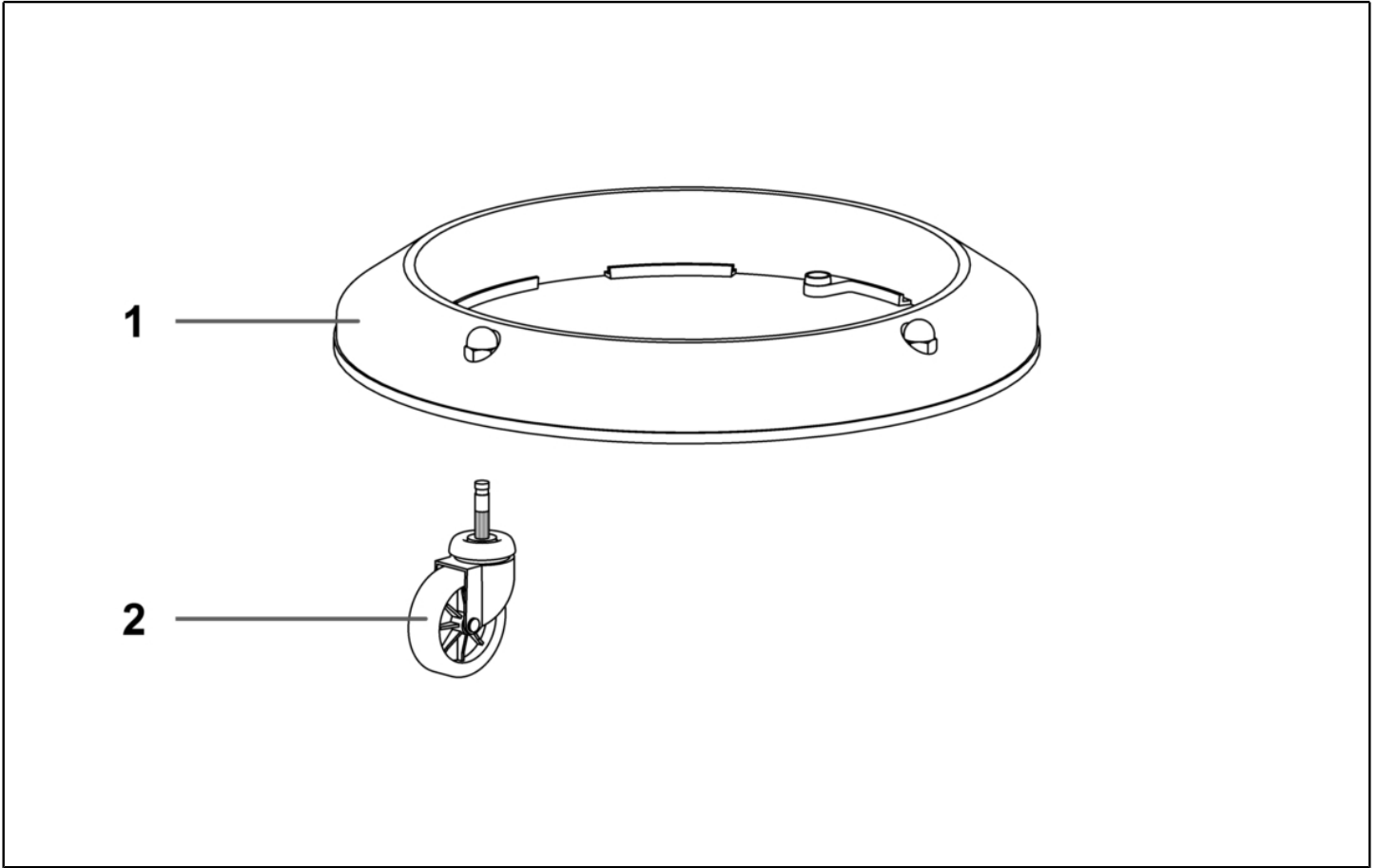
Ref. K	Part n.	Part n. 2	Description	Quantity	Validity		Price
					From	To	
*	MECB01818		WIRING 50CM MOTOR-TP 1200	3,00			--
*	FSVR00127		CLAMP	4,00			--
*	MECB35712		WIRE WITH RESISTANCE	1,00			--
0001	MECB31445		ELECTRIC CORD 2X1,5 MT.8,5	1,00			--
0002	MEVR28673		FAIRLEAD	1,00			--
0003	MPVR28690		CABLE CLAMP	1,00			--
0004	VTVT71961		SCREW PFU TMT PHL 5X20 ZN NERA	2,00			--
0005	VTVT32295		SCREW PAT TMT PHL 5X50	4,00			--
0006	MPVR10064		HANDLE PANDA 600 GREY 6000	1,00			--
0007	VTVT72055		SCREW PFU TMT PHL 5X25 ZN BLACK	2,00			--
0008	VTVT32295		SCREW PAT TMT PHL 5X50	2,00			--
0009	VTVT71960		SCREW SCREW PAT TMT PHL 5X14 ZN	2,00			--
0010	MEVR02008		TERM.BOARD 400-600 3MOT.RAD	1,00			--
0011	VTVT71961		SCREW PFU TMT PHL 5X20 ZN NERA	2,00			--
0012	PMVR05964		GREY COVER PANDA 600 3M	1,00			--
0013	VTVT72055		SCREW PFU TMT PHL 5X25 ZN BLACK	2,00			--
0014	MECI28744		ANTISPLASH RED LIGHT SWITCHER	3,00			--
0015	FTDP38064		FILTER MTP/65 H=15 D.95	3,00			--
0016	VTVT40007		SCREW PAT TMT PHL 5X55 BLACK	9,00			--
0017	MEVR72017		GUIDING SLIT FOR QUICK COUPLING	1,00			--
0018	MPVR08503		LOBSTER COVER 600	1,00			--
0019	MPVR38371		WASHER H8 D85X65	3,00			--
0020	VTVT72106		SCREW PAT TMT PHL 5X40 BLACK	9,00			--
0021	VTVT72106		SCREW PAT TMT PHL 5X40 BLACK	3,00			--
0022	VTVT01181		SCREW TC CROSS M 5X30 UNI 7687	1,00			--
0023	MPVR09336		MOTOR SUPPORT NEV. 600 GREY 6000	1,00			--
0024	VTVT71961		SCREW PFU TMT PHL 5X20 ZN NERA	12,00			--
0025	MPVR86282		RING MOTORE H=7 (15) PLAST.	3,00			--
0026	GUGO28683		"L" GASKET W/O HOLES H=5,5	3,00			--
0027	MOMO40006		MOT.BS282 1200W 220-240 50/60 MONO	3,00			--
0028	GUGO28683		"L" GASKET W/O HOLES H=5,5	3,00			--
0029	GUVR00397		"L" GASKET S/F H=16	3,00			--
0030	MPVR89143		OUTDISTANCED SINGLE-STAGE H=13MM	3,00			--
0031	FTDP38057		ANTINOISE TRIANGLE H=51	3,00			--
0032	FTDP28745		GASKET MTP/30 AU-AD 50X10X85	3,00			--
0033	MPVR28748		AUTOMATIC VALVE	3,00			--
0034	MPVR02262		BASE 600/400 W/GASK.W/PLATE GR6	1,00			--



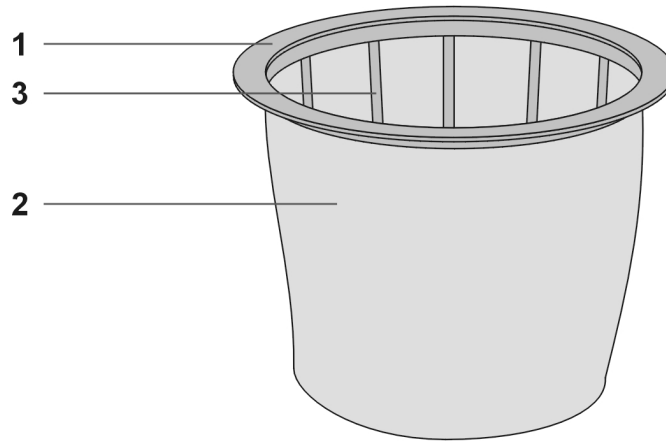
Ref. K	Part n.	Part n. 2	Description	Quantity	Validity		Price
					From	To	
A	FTDP28733		KIT RING+FILT+BASK.400 CONIC.SAN	1,00			--
0001	MPVR35807		FILTER RING 400	1,00			--
0002	FTDP00523		FILTER POLY AN4-600 CON REG H320	1,00			--
0003	MPVR09199		CONICAL BASKET 400	1,00			--
0004	MPVR40521		NET ANTIFOAM BODY HIGH	1,00			--
0005	RCGR40008		HIGH FLOAT 99 W/GASKET 37 SHA	1,00			--
0006	MPVR35796		BUSHING PLASTIC SLEEVE D.8	4,00			--
0007	VTVT36751		SCREW SCREW PAT TMT PHL 5X25	4,00			--



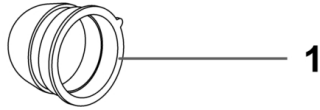
Ref. K	Part n.	Part n. 2	Description	Quantity	Validity		Price
					From	To	
0001	LAFN28734		TANK 400 AISI 430	1,00			--
0002	MPVR09004		PIPE UNION R155 G6000 W/BUT.OR	1,00			--
0003	GUGO28701		GASKET D.38	1,00			--
0004	MPVR08681		GASKET R 205 GREY 6000	1,00			--
0005	MPVR28696		DEFLECTOR 99	1,00			--
0006	VTVT71966		SCREW PAT TMT PHL 5X30 BLACK	4,00			--
0007	PMVR02871		PLASTIC HOOK COMPL. GR6000	2,00		10/02/2021	--
0007	CHVR28735		COMPLETE PLASTIC HOOK BLACK	2,00	11/02/2021		--
0008	VTVR71991		RIVET 5X11	4,00			--
0009	MPVR09429		HANDLE GREY 6000	2,00			--
0010	RIGE00015		COMPLETE SEAL W/SCREW L=25	4,00			--



Ref. K	Part n.	Part n. 2	Description	Quantity	Validity		Price
					From	To	
0001	MPVR10614		BODY CARRELLO 400 E G6	1,00	01/03/2016		--
0002	RTRT40020		FRONT WHEEL D.80 W/PIVOT	4,00	01/03/2016		--



Ref. K	Part n.	Part n. 2	Description	Quantity	Validity		Price
					From	To	
0001	MPVR35807		FILTER RING 400	1,00			--
0002	FTDP00523		FILTER POLY AN4-600 CON REG H320	1,00			--
0003	MPVR09199		CONICAL BASKET 400	1,00			--



Ref. K	Part n.	Part n. 2	Description	Quantity	Validity		Price
					From	To	
0001	MPVR28696		DEFLECTOR 99	1,00			--
0001	MPVR28696		DEFLECTOR 99	1,00			--



Ref. K	Part n.	Part n. 2	Description	Quantity	Validity		Price
					From	To	
0001	VTVT36751		SCREW SCREW PAT TMT PHL 5X25	1,00			--
0001	VTVT36751		SCREW SCREW PAT TMT PHL 5X25	1,00			--