

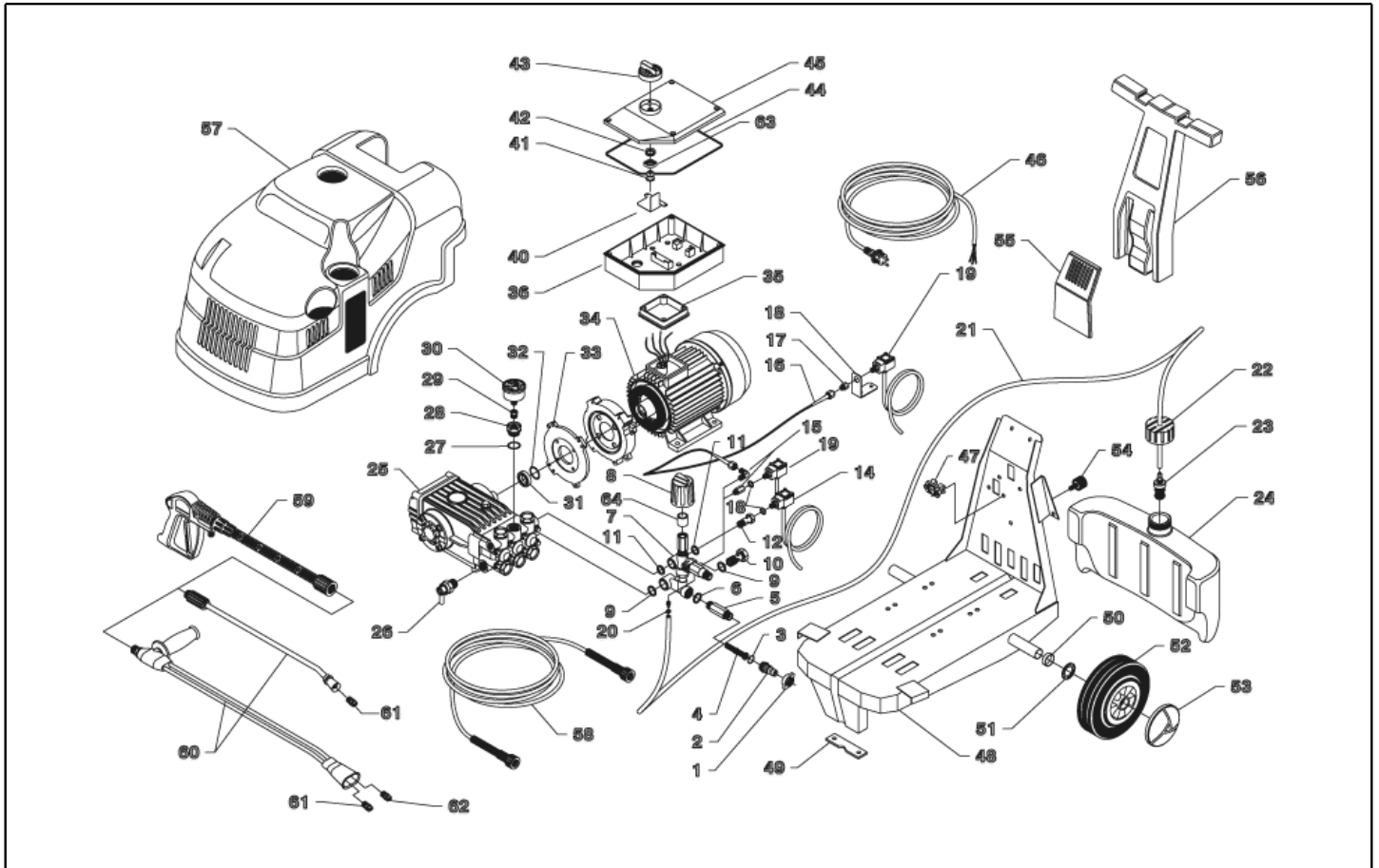


**IPC**

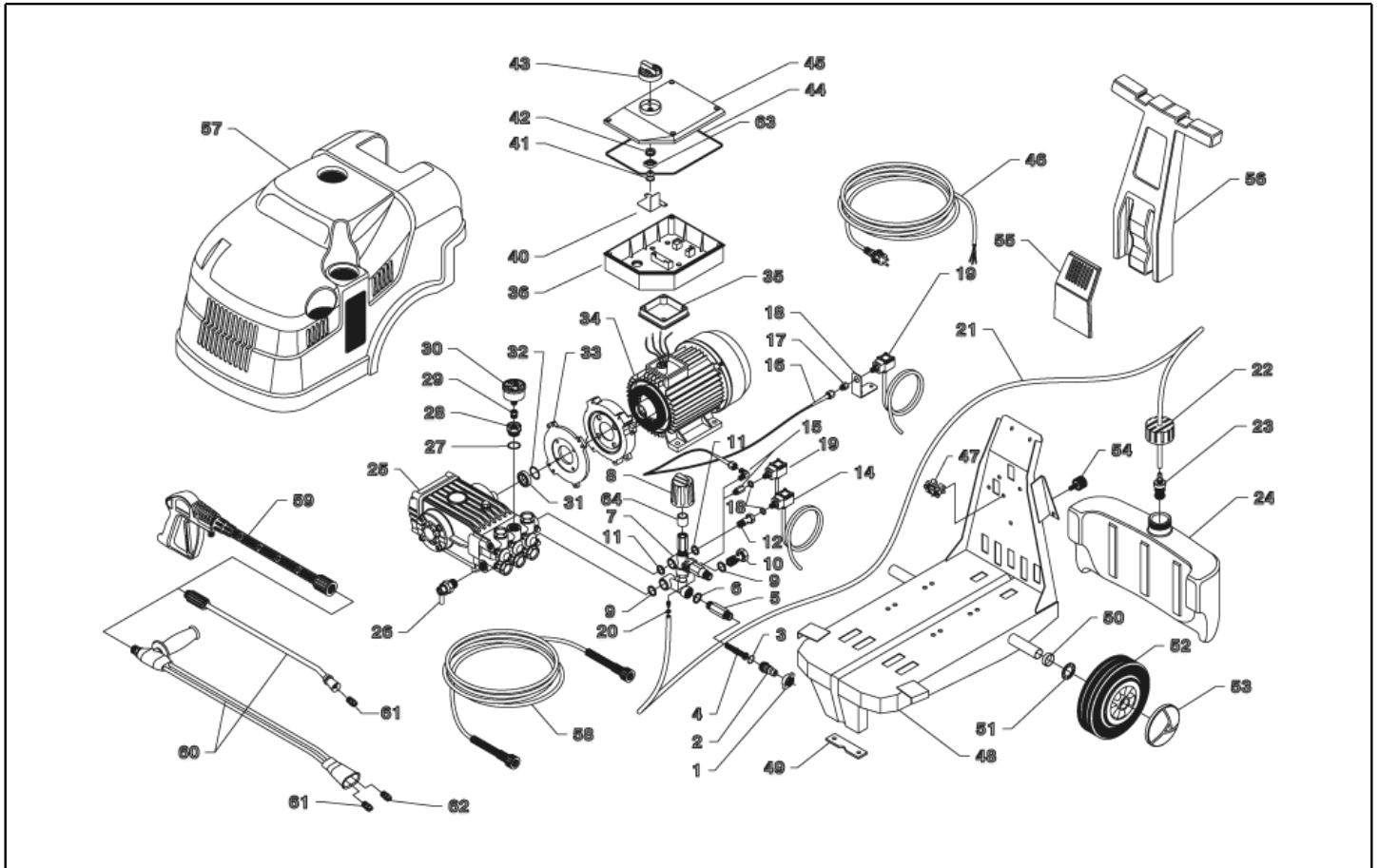
**Spare parts list**

Ref: IDAF42307

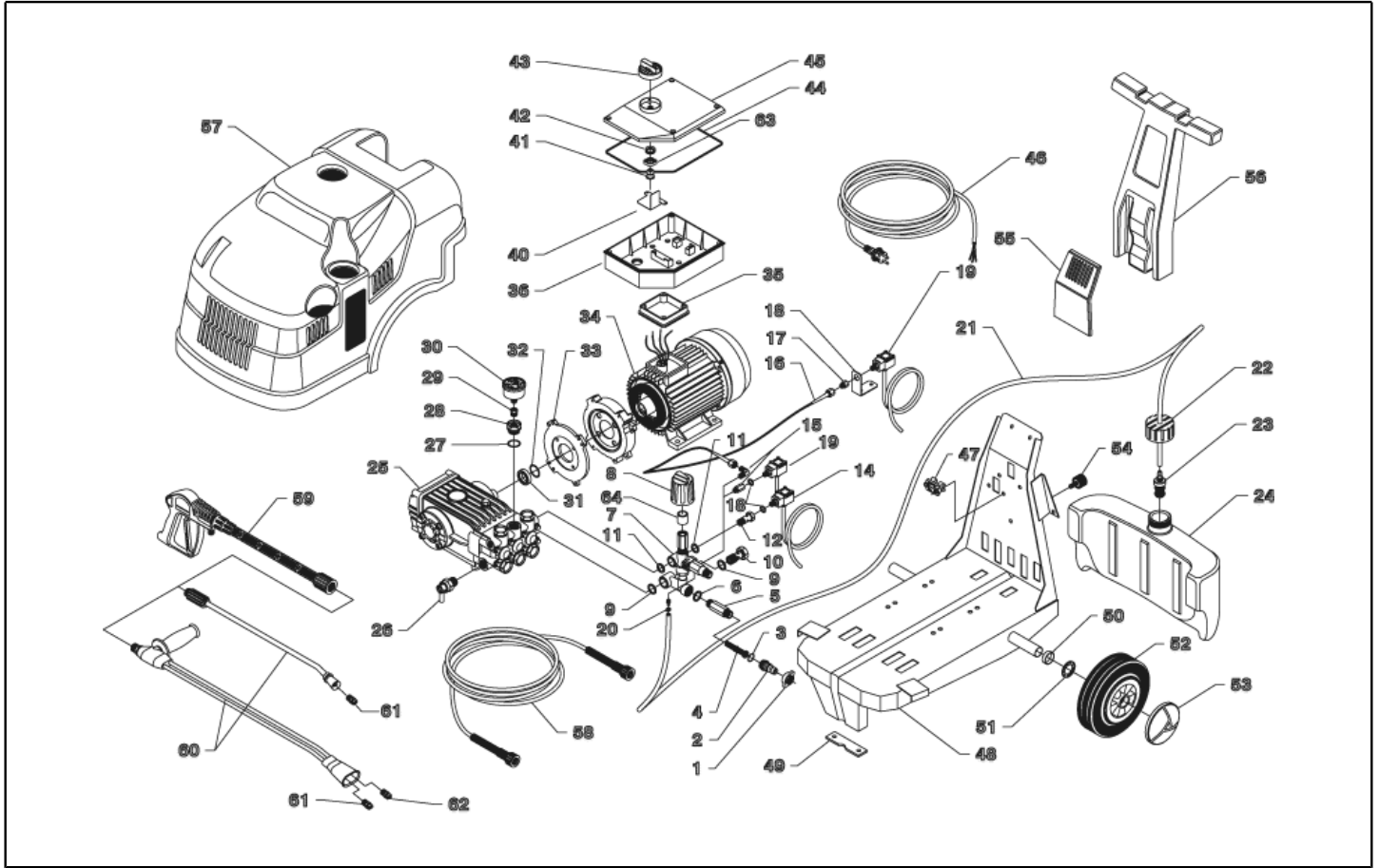
Model: H.P. CLEANER R.PR.DS2880T 4-415/50 PRT



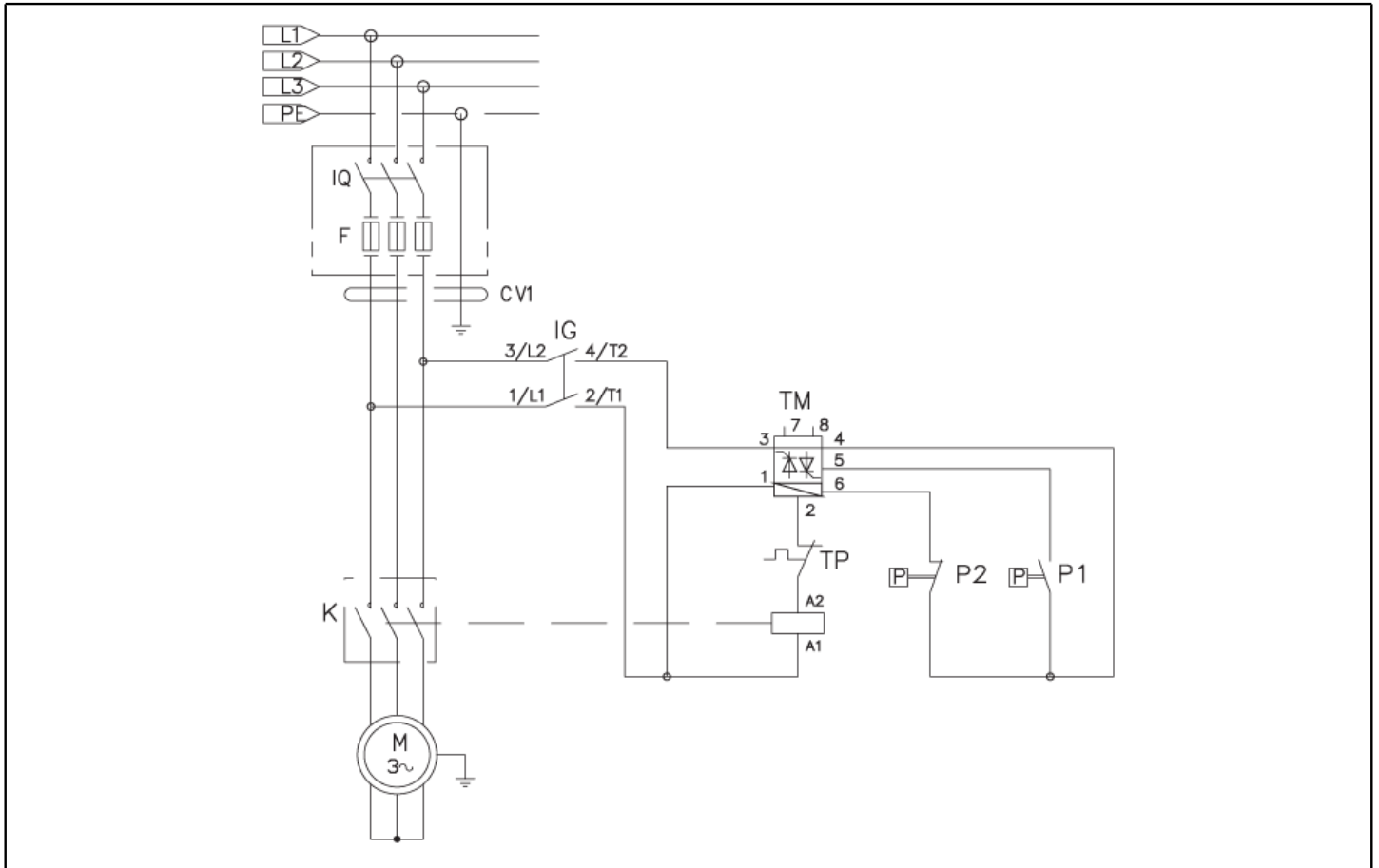
Ref. K	Part n.	Part n. 2	Description	Quantity	Validity		Price
					From	To	
0001	RCDS09316		CONNECTION G. 3/4	1,00			--
0002	RCDS08965		HOSE FITTING OTT.	1,00			--
0003	GUGO01054		O-RING D. 15.08 X 2.62 NBR 70SH	1,00			--
0004	FTAC30214		FILTER D.15X67	1,00			--
0005	RCDS42051		NIPPLE 3/4 - 1/2 RYL	1,00	20/11/1999	31/05/2016	--
0005	RCDS46109		NIPPLE 3/4 - 1/2 RYL INX	1,00	01/06/2016		--
0006	GUGO01032		O-RING D. 17.13 X 2.62 NBR 70SH	1,00	05/11/2002		--
0006	VTRS00549		WASHER D.21,5X27X1.5 (1/2) RM	1,00		04/11/2002	--
0007	VVAZ34846		VALVE VB 7 W151 AF I.2.3 RG.	1,00		25/09/2002	--
0007	VVAZ40036		VALVE VRF-2 IP-W AF I.2.1	1,00	01/10/2012		--
0007	VVAZ47859		VALVE MV 625 W151 AF I.2.3 REG.	1,00	26/09/2002	30/09/2012	--
0008	MPVR09436		BLACK KNOB ST 260	1,00	01/08/2014		--
0009	VTRS00549		WASHER D.21,5X27X1.5 (1/2) RM	2,00			--
0010	RCDS12486		SCREW G 1/2 L=48.5	1,00			--
0011	VTRS00548		WASHER D.17,5X23X1,5 (3/8)RM	2,00			--
0012	RCDS40551		SCREW G 3/8 - 1/8F L=48.5	1,00			--
0014	MEPF39741		PRESSURE SWITCH MTM 1/8M NA/NC 25B. MICRO	1,00	14/03/2013		--
0015	RCVR89164		SLEEVE 1/8 M/F A5	1,00	01/10/2012		--
0015	RCVR35844		ELBOW 1/4-1/8 M/M NIK	1,00	30/10/2002	30/09/2012	--
0015	RCVR40064		ELBOW 1/8-1/4 M/F NIK	1,00	01/10/2012		--
0015	RCVR72812		SLEEVE 1/4-1/4 GAS	1,00	04/02/2011	30/09/2012	--
0016	TBAP42069		POLYAMIDE HOSE L=260 1/4-1/4 F-F	1,00	05/10/1999	15/06/2006	--
0017	RCVR02596		SLEEVE 1/4 M/F A5	1,00		30/10/2002	--
0017	RCVR48093		SLEEVE 1/4 M/F A5 TRN.	1,00	31/10/2002	15/06/2006	--
0018	LAFN42072		SUPPORT BRACKET R.PRS	1,00	05/10/1999	15/06/2006	--
0018	VTRS04931		WASHER COPPER D.13X19X1.5	1,00	16/06/2006		--
0019	MEPF39902		PRESSURE SWITCH MTM 1/4M NA/NC 25B. MICRO	1,00	14/03/2013		--
0020	FSVR11957		CLAMP D. 9.5-12 CLIC	1,00		22/06/2006	--
0021	TBBP04917		L.P. HOSE D. 6- 9	1,20		30/04/2012	--
0021	TBBP93804		L.P. HOSE D. 6- 9	1,20	01/05/2012		--
0022	MPVR27781		TANK CAP MTH D.10	1,00			--
0023	FDT04648		FILTER PG. D.6 PLS	1,00			--
0024	MPVR27424		DETERGENT TANK MITHO PLUS	1,00			--
0025	PPAP42347		PUMP WS102 DX LT 21-100 BAR US	1,00			--
0026	VVSC40021		VALVE 1/2" ML610 56° 10b.	1,00	15/05/2018		--
0026	VVSC40550		VALVE 1/2" 56°C	1,00	04/02/2011	14/05/2018	--
0027	GUGO01033		O-RING D. 20.24 X 2.62 NBR 90SH	1,00			--
0028	RCDS09059		CAP M24X2X16 + 1/4F OTT	1,00		21/02/2001	--
0028	RCDS44185		CAP M24X2X16 + 1/4F RIB.OTT.	1,00	22/02/2001		--
0029	RCVR00644		REDUCTION 1/4-1/8 M/F	1,00	04/02/2011		--
0030	MNMN18650		PRESSURE GAUGE 0-300 D.40	1,00	04/02/2011		--
0031	RCDS34756		BUSHING IP W15 OT	1,00			--
0032	GUGO42285		O-RING D. 35 X 2.5 VIT.70SH	1,00			--
0033	MFVR21735		COUNTERFLANGE MEC 112 2.V	1,00			--



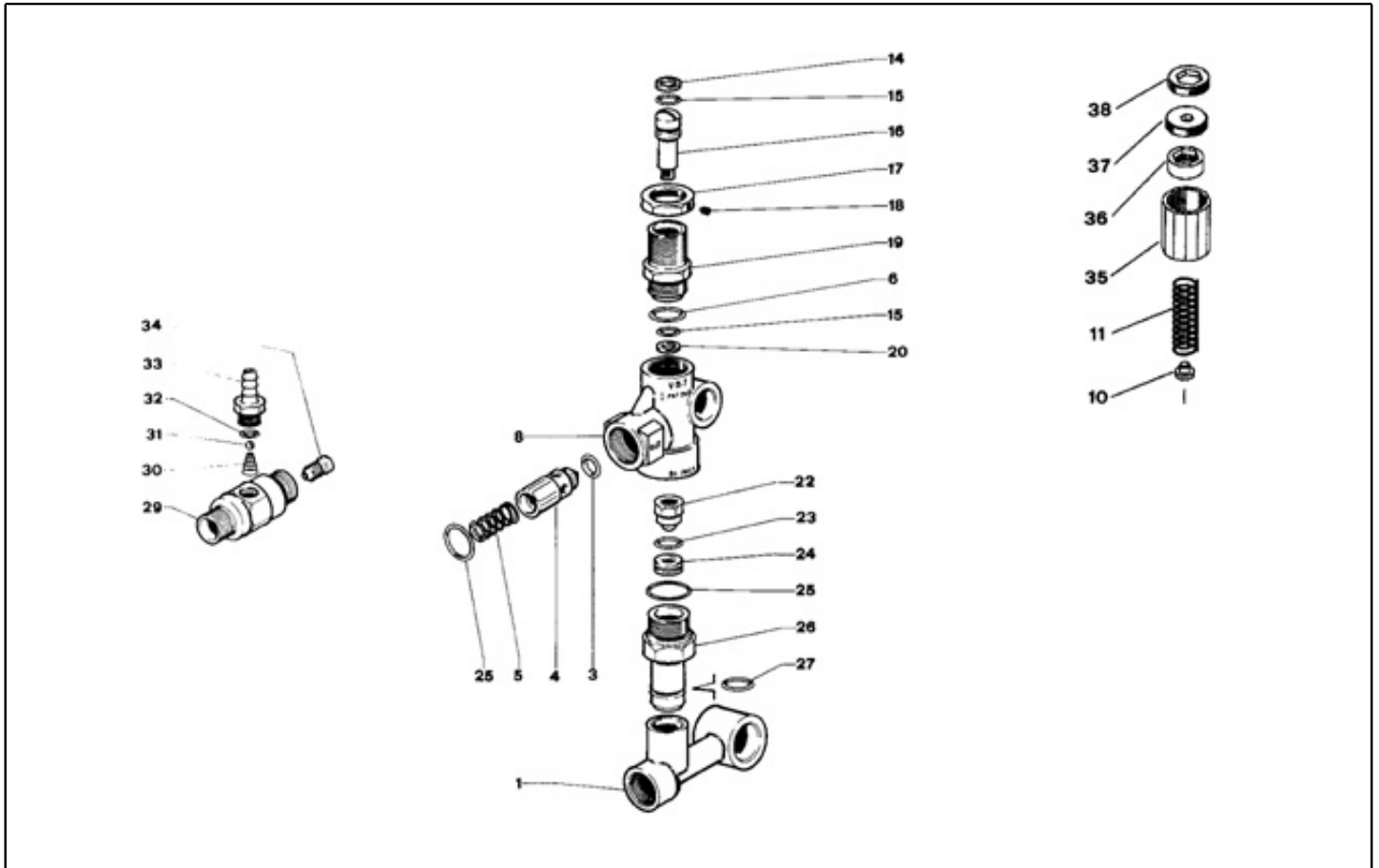
Ref. K	Part n.	Part n. 2	Description	Quantity	Validity		Price
					From	To	
0034	MOTR39057		3PH MOTOR PRS HP8,5 230-400/50 C/CU	1,00			--
0034	MOTR40041		3PH MOTOR PRS HP7,5 23-400/50C K/8M	1,00	10/05/2013		--
0034	MOTR89908		3PH MOTOR PRS HP7,5 230-400/50 C ED	1,00	01/07/2006	09/05/2013	--
0035	MPVR13033		SPACER SIC H90	2,00	01/07/2006		--
0035	MPVR13033		SPACER SIC H90	1,00	27/05/1999	30/06/2006	--
0036	MPVR32493		CONTROL BOX N.ROY. DS ABS	1,00	14/03/2013		--
0040	LAFN40532		SUPPORT N.ROYAL DS INX	1,00	14/03/2013	15/05/2013	--
0041	MPVR23482		SWITCH TANG TEC. TUV	1,00	14/03/2013		--
0041	MPVR10083		TAIL PIECE OKA L=22	1,00		13/03/2013	--
0042	GUGO25527		O-RING D. 14 X 3 NBR 70SH	1,00	14/03/2013		--
0042	GUGO23079		V-SEAL RING VAO014 13,5- 15,5	1,00		13/03/2013	--
0043	MPVR10084		SWITCH KNOB O.K.A.	1,00			--
0044	GUGO33675		JOINT MOUSSE D. 4	0,65	14/03/2013		--
0045	MPVR32494		BOX COVER N.ROY.DS ABS	1,00	14/03/2013		--
0045	MPVR40415		BOX COVER N.ROY.DS ABS 2V.	1,00	14/03/2013		--
0045	MPVR32494		BOX COVER N.ROY.DS ABS	1,00		13/03/2013	--
0046	MECB26015		CABLE 4X2,5 H07 RNF L=5,500	1,00	14/03/2013		--
0047	MEVR33994		CABLE FASTNER 4228 B D. 6- 18	1,00	07/04/1998		--
0048	LAFN43790		CHASSIS ROYAL PRESS 2V.	1,00	18/10/2000		--
0049	MPVR10079		FOOT SUPPORT N S.JET	1,00			--
0050	MPVR29447		SPACER D. 26-30 L=10 PVC	2,00			--
0051	VTRS09813		WASHER D.25	2,00			--
0052	RTRT30566		WHEEL D.250-D.25X 88 P. NYL	2,00		09/02/2008	--
0052	RTRT40002		WHEEL D.260 3,00-4 D.25 S.PI.NY	2,00	10/02/2008		--
0053	MPVR28995		GREY HUB CAP D. 110	2,00			--
0054	ABGO06511		VIBRATION DAMP. 25X17- 1M6X18 55SH NBR	1,00			--
0055	MPVR27836		GRID ELT	1,00			--
0056	MPVR27278		HANDLE ELITE	1,00			--
0057	MPVR43785		RED COVER ROYAL PRESS PP	1,00	18/10/2000		--
0058	TBAP28590		H.P. HOSE R1 MT 8 5/16" F/F M22	1,00		14/03/2007	--
0058	TBAP25324		H.P. HOSE R1 MT 10 5/16" C/2 IRV ZC	1,00	15/03/2007		--
0059	IPPR43065		GRIP G 2200 +P.330 +M22 M	1,00	20/04/2000	14/03/2007	--
0059	IPPR89429		GRIP G 4500 - P.330 -M22SW.M V	1,00	15/03/2007	15/04/2014	--
0059	IPPR40010		GRIP G 5100+P.330 +M22 SW.M V	1,00	16/04/2014	29/02/2016	--
0059	IPPR40020		GRIP G 6000+P.330 +M22 SW.M V	1,00	01/03/2016	14/06/2018	--
0059	IPPR40025		GRIP G 6000+P.330 +M22 SW.M 2V	1,00	15/06/2018		--
0060	LCPR12982		DOUBLE EXTENS. PD 50	1,00	05/07/2006	14/03/2007	--
0060	LCPR12983		DOUBLE EXTENS. PD 70	1,00	15/03/2007	09/11/2016	--
0060	LCPR40160		DOUBLE EXTENS. PD 70 M22 M -1/4F INX 0°	1,00	01/09/2017		--
0060	LCPR89117		DOUBLE EXTENS. PD 70 M22 M -1/4F INX MV	1,00	10/11/2016	31/08/2017	--
0061	UGLN02310		NOZZLE 1/4 2508	1,00		04/07/2006	--
0061	UGLN49998		NOZZLE LECH 1/4 2508	1,00	05/07/2006		--
0062	UGLN05174		NOZZLE 1/4 5040 OT	1,00	05/07/2006		--
0063	MPVR23487		THICKNESS THERM. - INT. TUV	1,00	14/03/2013		--



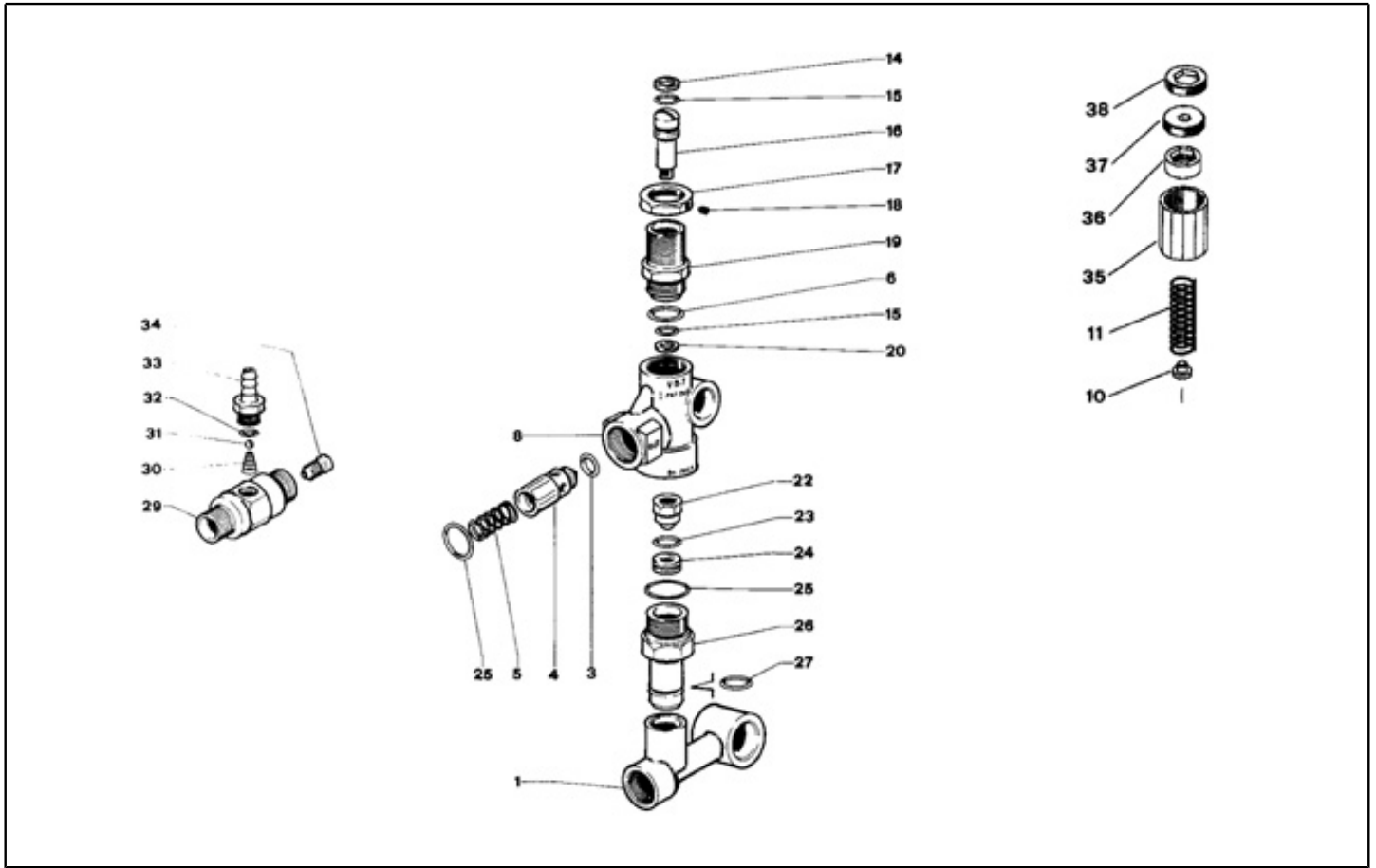
Ref. K	Part n.	Part n. 2	Description	Quantity	Validity		Price
					From	To	
0064	PVVR40273		ADAPTER VRF-2 RG.	1,00	01/10/2012		--



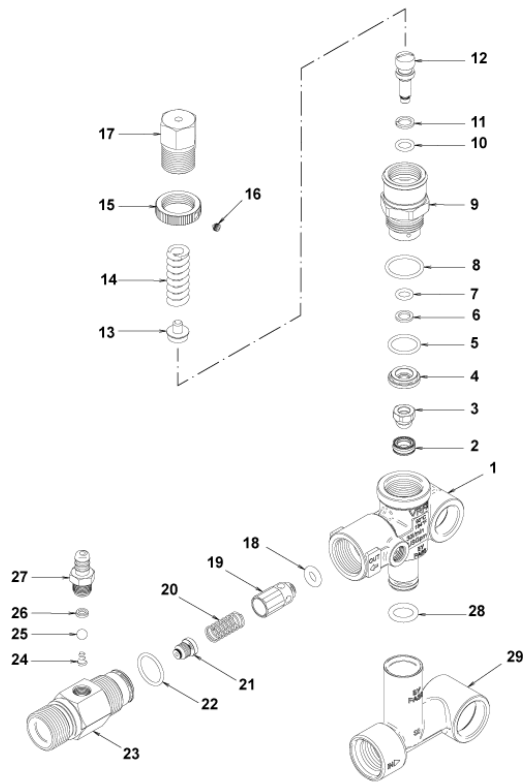
Ref. K	Part n.	Part n. 2	Description	Quantity	Validity		Price
					From	To	
K	METT40013		CONTACTOR SIE 3RT 2017-1AV01 400V	1,00	14/03/2013		--
IG	MECI40027		SWITCH BRM BP. 0-1 12A A.60°	1,00	14/03/2013		--
IG	MECI08294		SWITCH O.K.N. 10-16 A	1,00		13/03/2013	--
RT	METT40035		THERMAL RELAY SIE 3RU2116-4AB0 11-16 A	1,00	14/03/2013	09/05/2013	--
TM	METY37439		TIMER THV/1S 380-415V 30S.5/60	1,00	14/03/2013	31/08/2015	--
TM	METY40003		TIMER THV/1 400-5/60 30S.2P	1,00	01/09/2015		--



Ref. K	Part n.	Part n. 2	Description	Quantity	Validity		Price
					From	To	
0001	PVVR24912		CONNECTOR G1/2 VB 7	1,00			--
0003	S GUGO06824		O-RING D. 6 X 3 NBR 70SH	1,00			--
0004	PVVR29750		PIN VB 7 2V.	1,00			--
0005	MLML29751		SPRING VB 7	1,00			--
0006	S GUGO24913		O-RING D. 17.17 X 1.78 NBR 90SH	1,00			--
0008	PVVR29753		VALVE BODY VB 7 2V.	1,00			--
0010	PVVR21510		SUPPORT AISI 430	1,00			--
0011	MLML10727		SPRING D. 3	1,00			--
0014	S GUVR24920		ANTI-EXTR.RING D. 11 X 6.4	1,00			--
0015	S GUGO24916		O-RING D. 6.02 X 2.62 NBR 90SH	2,00			--
0016	PVVR24917		SMALL PISTON VB 7 +P.BACK	1,00			--
0017	PVVR12471		RING NUT VPO	1,00			--
0018	VTVT24918		SCREW EI-ST 4X 4 UNI5927	1,00			--
0019	PVVR38740		CONNECTOR VB7-RG.	1,00			--
0020	S GUVR24915		ANTI-EXTR.RING D. 11.6 X 7	1,00			--
0022	S PVVR24921		COUPLING M6 INX	1,00			--
0023	S GUGO24922		O-RING D. 11.11 X 1.78 NBR 90SH	1,00			--
0024	S PVVR24923		BALL SEAT D. 8.5 + O-RING	1,00			--
0025	S GUGO24924		O-RING D. 18.77 X 1.78 NBR 90SH	2,00			--
0026	PVVR24926		CONNECTOR VB 7 L=24	1,00			--
0027	GUGO12714		O-RING D. 10.3 X 2.4 VIT 70SH	1,00			--
0029	PVVR32491		METERING. BODY VB 7 M22 3V. T.ST	1,00			--
0030	MLML04264		SPRING D. 4.3X11X7.3 KR	1,00			--
0031	SFVR04274		BALL D. 7/32	1,00			--
0032	GUGO01055		O-RING D. 5.28 X 1.78 VIT 70SH	1,00			--
0033	RCVR24928		HOSE FITTING 1/4 M D. 8 VB 7	1,00			--
0035	PVVR38736		CAP VB7-RG.	1,00			--
0036	PVVR38739		RING NUT VB7-RG.	1,00			--
0036	UGEI34879		NOZZLE VB 7 D. 2.3 2V.PA	1,00			--
0037	PVVR38738		REGISTER VB7-RG.	1,00			--
0038	PVVR38737		CLAMP VB7-RG.	1,00			--

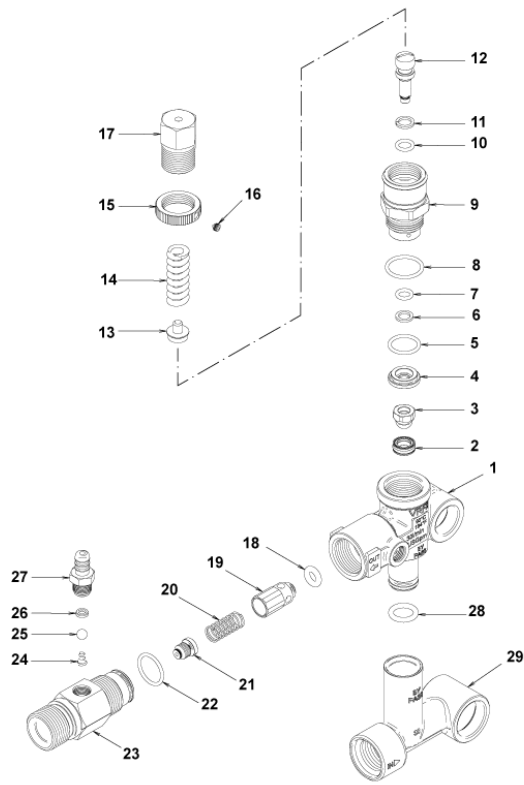


Ref. Part n.	Part n. 2	Description	Reference	Price
KTRI26772	KIT P 14- 35		0003 0006 0014 0015 0020 0022 0023 0024 0025	--

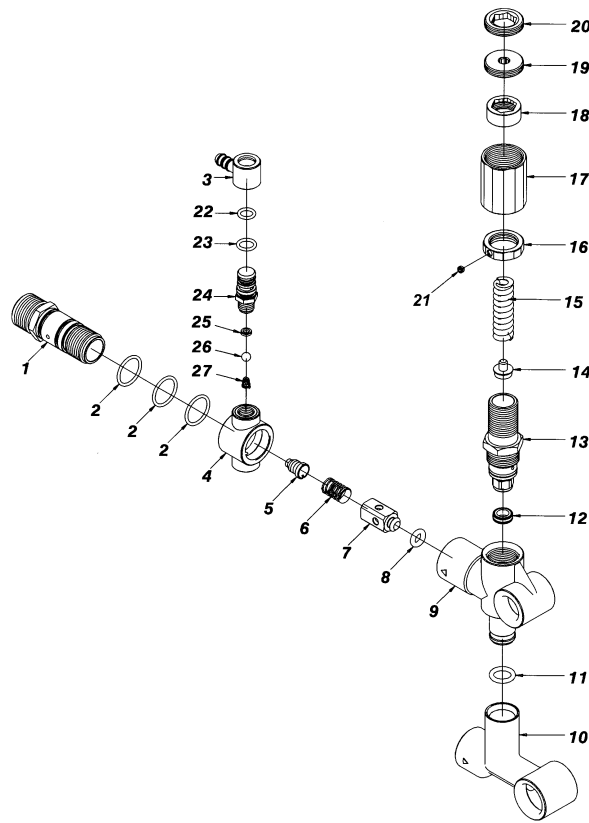


Ref. K	Part n.	Part n. 2	Description	Quantity	Validity		Price
					From	To	
0001	PVVR40375		VALVE BODY VRF2 +G1/8 F	1,00			--
0002	S PVVR40363		VALVE SEAT MV124 +OR	1,00			--
0003	S PVVR40364		COUPLING MV124	1,00			--
0004	S PVVR40365		SPACER MV124	1,00			--
0005	S GUGO12322		O-RING D. 14 X 1.78 NBR 90SH	1,00			--
0006	S GUVR40072		ANTI-EXTR.RING D. 6.5X 9.4	1,00			--
0007	S GUGO83861		O-RING D. 6.07 X 1.78 NBR 90SH	1,00			--
0008	S GUGO24913		O-RING D. 17.17 X 1.78 NBR 90SH	1,00			--
0009	S PVVR40366		CONNECTOR VRF2 D.10	1,00			--
0010	S GUGO03500		O-RING D. 6.75 X 1.78 NBR 70SH	1,00			--
0011	S GUVR40073		ANTI-EXTR.RING D. 7.1X10 X1.2 TBT	1,00			--
0012	S PVVR40367		SMALL PISTON D.10 VRF2	1,00			--
0013	PVVR40368		SPRING PLATE MV124 25B	1,00			--
0014	MLML40027		SPRING D. 3.0/6.0 X38.85	1,00			--
0015	PVVR40369		RING NUT MV167.09	1,00			--
0016	VTVT89696		SCREW EI-ST 4X 4 UNI5927 ZC	1,00			--
0017	PVVR40370		CAP VRF2 M18X1	1,00			--
0018	S GUGO46053		O-RING D. 6 X 3 NBR 90SH	1,00			--
0019	S PVVR40349		COUPLING VRT3	1,00			--
0020	S MLML40026		SPRING VRT3	1,00			--
0021	S UGEI40010		NOZZLE D. 2.1 VRF-2	1,00			--
0022	S GUGO12321		O-RING D. 15.6 X 1.78 NBR 90SH	1,00			--
0023	S PVVR40376		METERING. BODY VRF-2 M22 M	1,00			--
0024	S MLML47996		SPRING D. 5.5	1,00			--
0025	S SFVR40001		BALL D. 7/32" AISI 316/L	1,00			--
0026	S PVVR47994		BALL SEAT MV 625	1,00			--
0027	S PVVR40014		HOSE FITTING P237-MV	1,00			--
0028	GUGO11225		O-RING D. 10.78 X 2.62 NBR 70SH	1,00			--
0029	PVVR40371		CONNECTOR VRF2.38	1,00			--

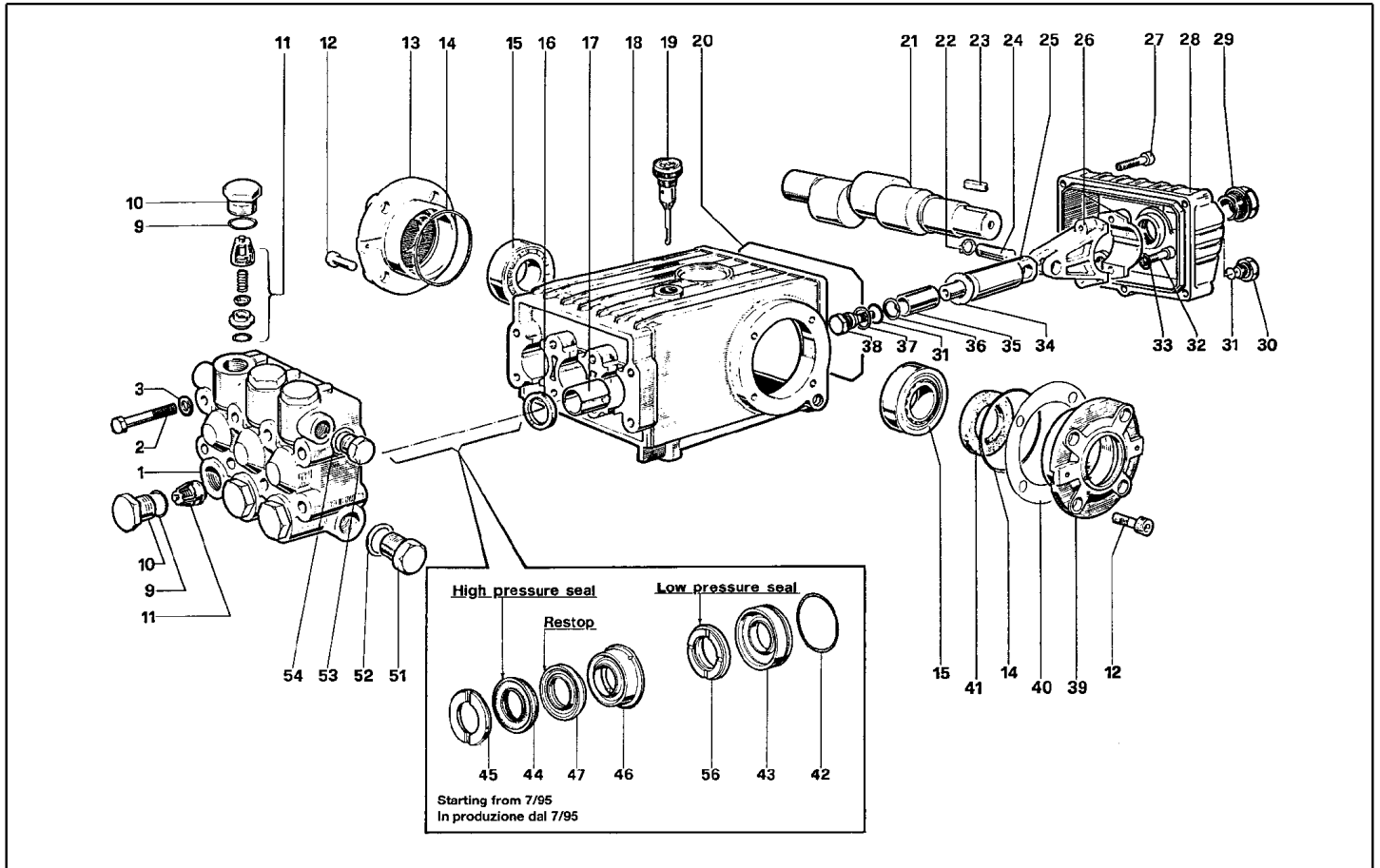




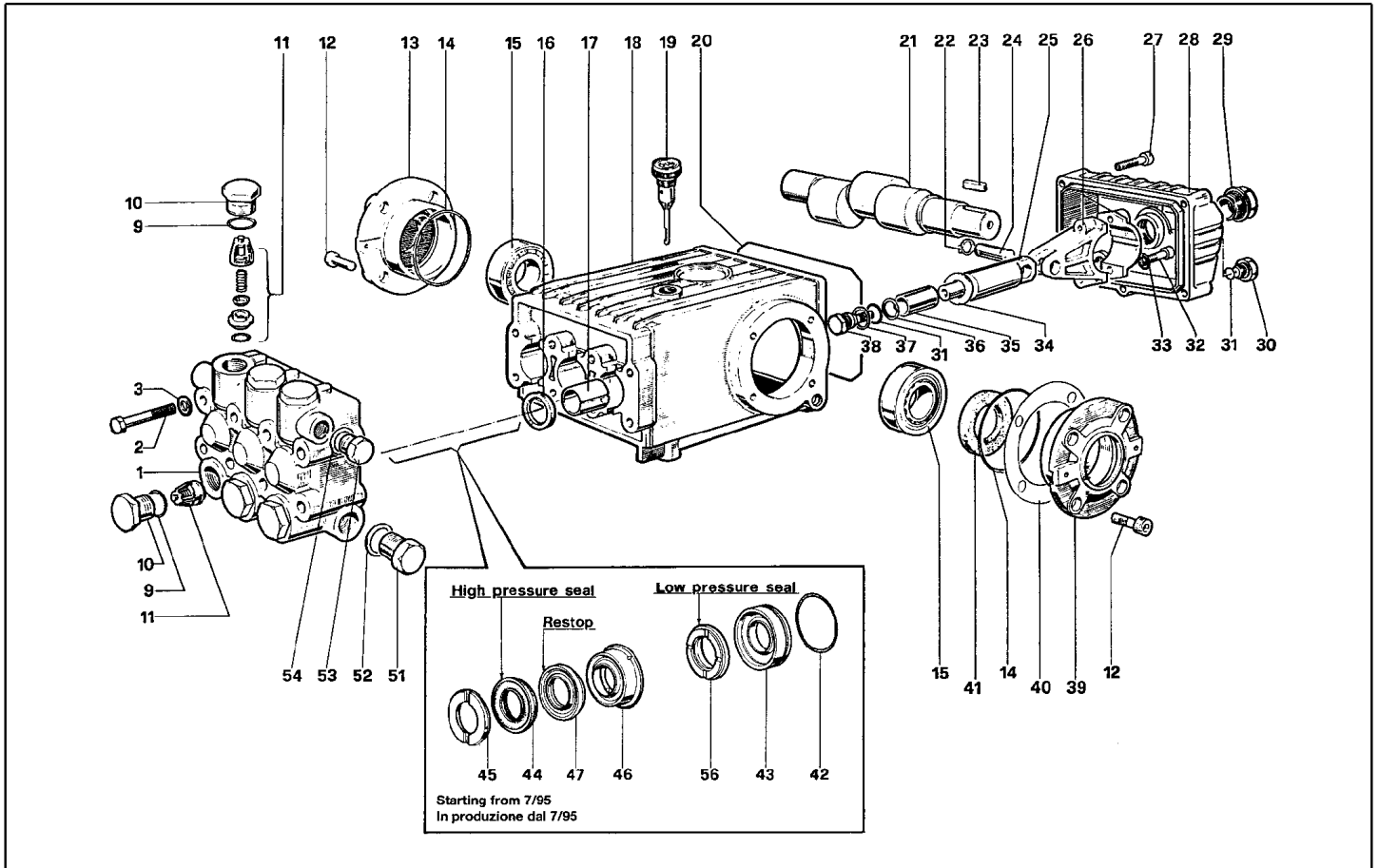
Ref. Part n.	Part n. 2	Description	Reference	Price
KTRI40236		KIT P 14-103 VRF2	0002 0003 0004 0005 0006 0007 0008 0009 0010 0011 0012 0018 0019 0020 0021 0022	--
KTRI40237		KIT P 14-104 SEAL VRF2	0002 0003 0005 0006 0007 0008 0010 0011 0018 0021 0022	--
KTRI40259		KIT P 14-106 VRF2 I.2.1	0018 0019 0020 0021 0022 0023 0024 0025 0026 0027	--



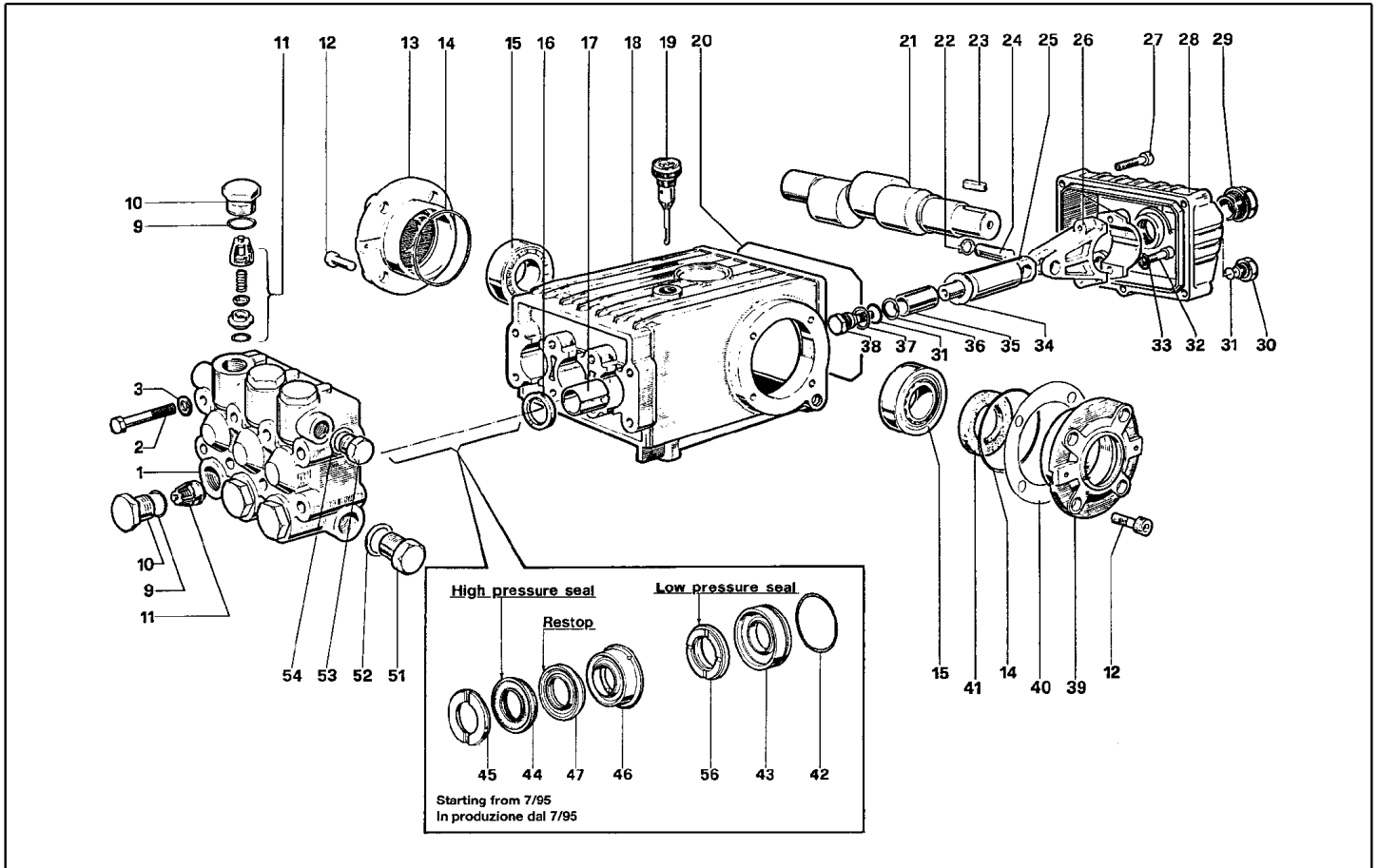
Ref. K	Part n.	Part n. 2	Description	Quantity	Validity		Price
					From	To	
0001	PVVR47993		METERING. BODY MV 625 M22	1,00			--
0002	GUGO01058		O-RING D. 17.17 X 1.78 NBR 70SH	3,00			--
0003	PVVR47999		HOSE FITTING MV 625	1,00			--
0004	PVVR47995		METERING. BODY MV 625 GIR.	1,00			--
0005	UGEI46791		NOZZLE D. 2.3 MV625	1,00			--
0006	MLML47978		SPRING MV 625	1,00			--
0007	PVVR47979		PIN MV 625	1,00			--
0008	GUGO46053		O-RING D. 6 X 3 NBR 90SH	1,00			--
0009	PVVR47980		VALVE BODY MV 625	1,00			--
0010	PVVR47997		CONNECTOR MV 625 H.73	1,00			--
0011	GUGO11225		O-RING D. 10.78 X 2.62 NBR 70SH	1,00			--
0012	PVVR47985		VALVE SEAT MV 625 + O-RING	1,00			--
0013	PVVR47988		CONNECTOR MV 625 REG.	1,00			--
0014	PVVR47986		SPRING PLATE MV 625	1,00			--
0015	MLML47987		SPRING D. 3.25X41.1 MV 625	1,00			--
0016	PVVR47984		RING NUT MV 625	1,00			--
0017	PVVR47989		CAP MV 625 REG.	1,00			--
0018	PVVR47990		RING NUT MV 625 REG.	1,00			--
0019	PVVR47991		REGISTER MV 625 REG.	1,00			--
0020	PVVR47992		CLAMP MV 625 REG.	1,00			--
0021	VTVT24918		SCREW EI-ST 4X 4 UNI5927	1,00			--
0022	GUGO06988		O-RING D. 7.66 X 1.78 NBR 70SH	1,00			--
0023	GUGO12490		O-RING D. 8.74 X 1.78 NBR 70SH	1,00			--
0024	PVVR47998		CONNECTOR MV 625	1,00			--
0025	PVVR47994		BALL SEAT MV 625	1,00			--
0026	SFVR04274		BALL D. 7/32	1,00			--
0027	MLML47996		SPRING D. 5.5	1,00			--



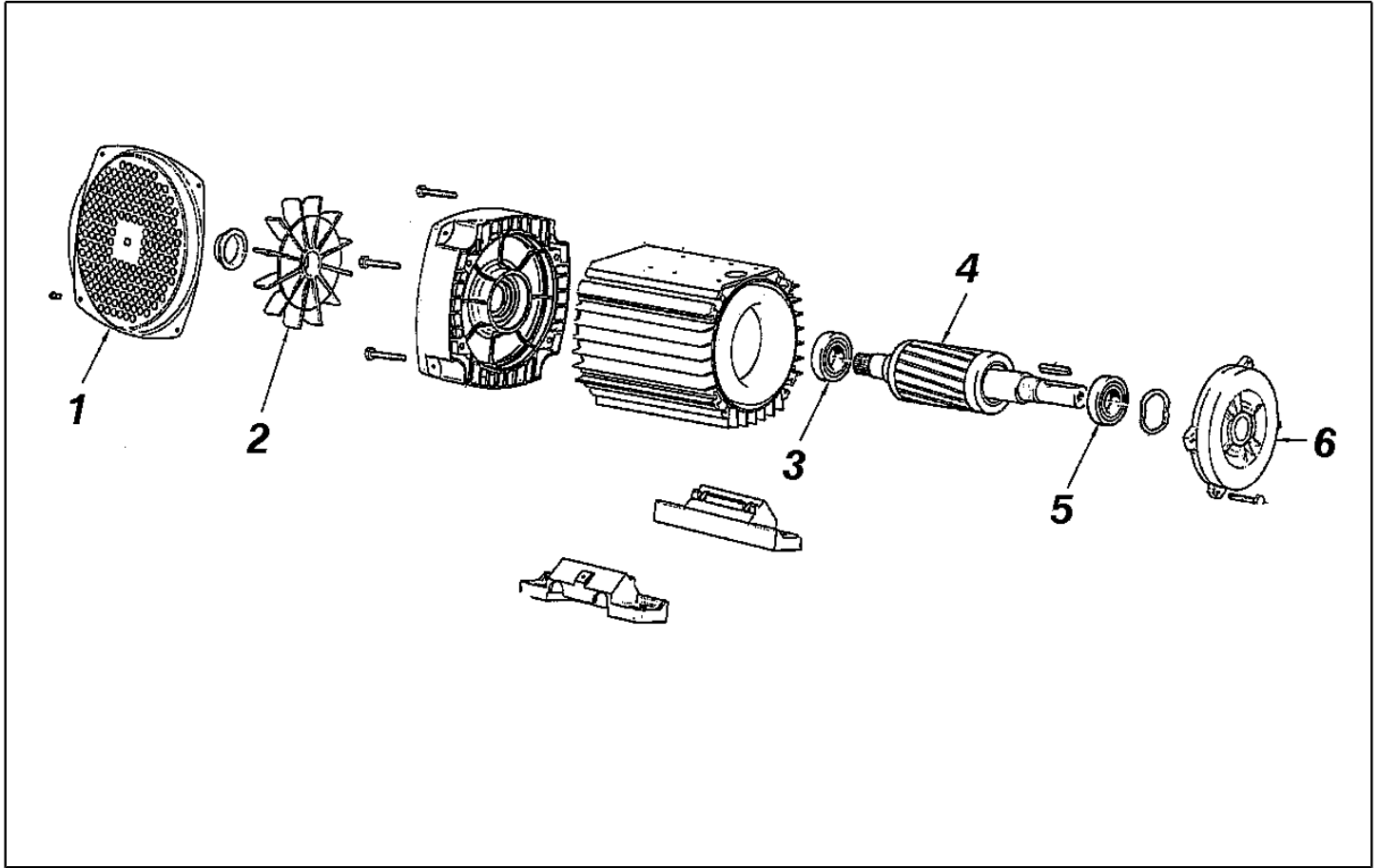
Ref. K	Part n.	Part n. 2	Description	Quantity	Validity		Price
					From	To	
0001	MFVR01097		HEAD W 151	1,00			--
0002	VTVT01111		SCREW TE M 8X70 UNI 5737 A.10.9	8,00			--
0003	VTRS01072		WASHER D. 8 TC	8,00			--
0009	S GUGO01033		O-RING D. 20.24 X 2.62 NBR 90SH	6,00			--
0010	S RCDS01087		CAP M24X2X16 OTT	6,00			--
0011	S VVAM01104		VALVE UNIT W 70-151	6,00			--
0012	VTVT01118		SCREW TCEI M 8X16 ZC. UNI 5931	8,00			--
0013	MFVR03576		CRANKASE COVER W151	1,00			--
0014	GUGO01041		O-RING D. 67.95 X 2.62 NBR 70SH	2,00			--
0015	CUVR09205		ROLLER BEARING 32206 A	2,00			--
0016	S GUGO01000		OIL SEAL 22X 32X 5 NBR70	3,00			--
0017	PVVR01011		BUSHING W 151	3,00			--
0018	MFVR01013		PUMP CRANKCASE W 151	1,00			--
0019	PVVR01092		OIL DIPSTICK W 151	1,00			--
0020	GUGO34590		O-RING D. 133.02 X 2.62 NBR 70SH	1,00			--
0021	ALMO41529		SHAFT TS 1521 USA	1,00			--
0022	VTAE14016		CIRCLIP D. 12 UNI 7435	6,00			--
0023	VTVR41531		KEY 8X 7X35 UNI 6604A	1,00			--
0024	PVVR01085		GUDGEON D.13X35 W151	3,00			--
0025	PVVR01029		PISTON GUIDE W 151	3,00			--
0026	BLVR01009		CONNECTING ROD W 151	3,00			--
0027	VTVT01116		SCREW TCEI 6X30 UNI5931	5,00			--
0028	MFVR03582		CRANKASE COVER W 151 POS	1,00			--
0029	PVVR01083		OIL INDICATOR G 3/4 W70-151	1,00			--
0030	RCDS01088		CAP 1/4X 9 M WW90	1,00			--
0031	S GUGO01036		O-RING D. 10.82 X 1.78 NBR 70SH	4,00			--
0032	VTVT01120		SCREW TCEI 8X35 UNI5931	6,00			--
0033	VTRS14242		WASHER D. 8.4X13X0.8 UNI7064 SCH	6,00			--
0034	S VTRS01753		WASHER D.14X28 X0,5	3,00			--
0035	PIVR01066		PISTON D.20X50 W 151	3,00			--
0036	S GUVR00994		ANTI-EXTR.RING W151	3,00			--
0037	S VTRS01076		WASHER D.14X18,5X0,5	3,00			--
0038	S PVVR01107		PISTON BOLT IP W151	3,00			--
0039	MFVR03583		CRANKASE COVER W151	1,00			--
0040	PVVR01016		THICKNESS 0,1 W 151	2,00			--
0041	S GUGO01003		OIL SEAL 30X 55X 7 NBR70	1,00			--
0042	S GUGO01042		O-RING D. 34.6 X 1.78 NBR 70SH	3,00			--
0043	S PVVR00977		PACKING RETAIN. W151	3,00			--
0044	S GUVR00981		PACKING W151	3,00			--
0045	S PVVR00985		HEAD RING W151	3,00			--
0046	S PVVR34589		INTERMED. RING W 151 D. 20	3,00			--
0047	S GUVR34587		PACKING D. 20 RESTOP	3,00			--
0051	RCDS01091		CAP 1/2X10 M	1,00			--
0052	VTRS01075		WASHER D.21,5X27 ALL	1,00			--



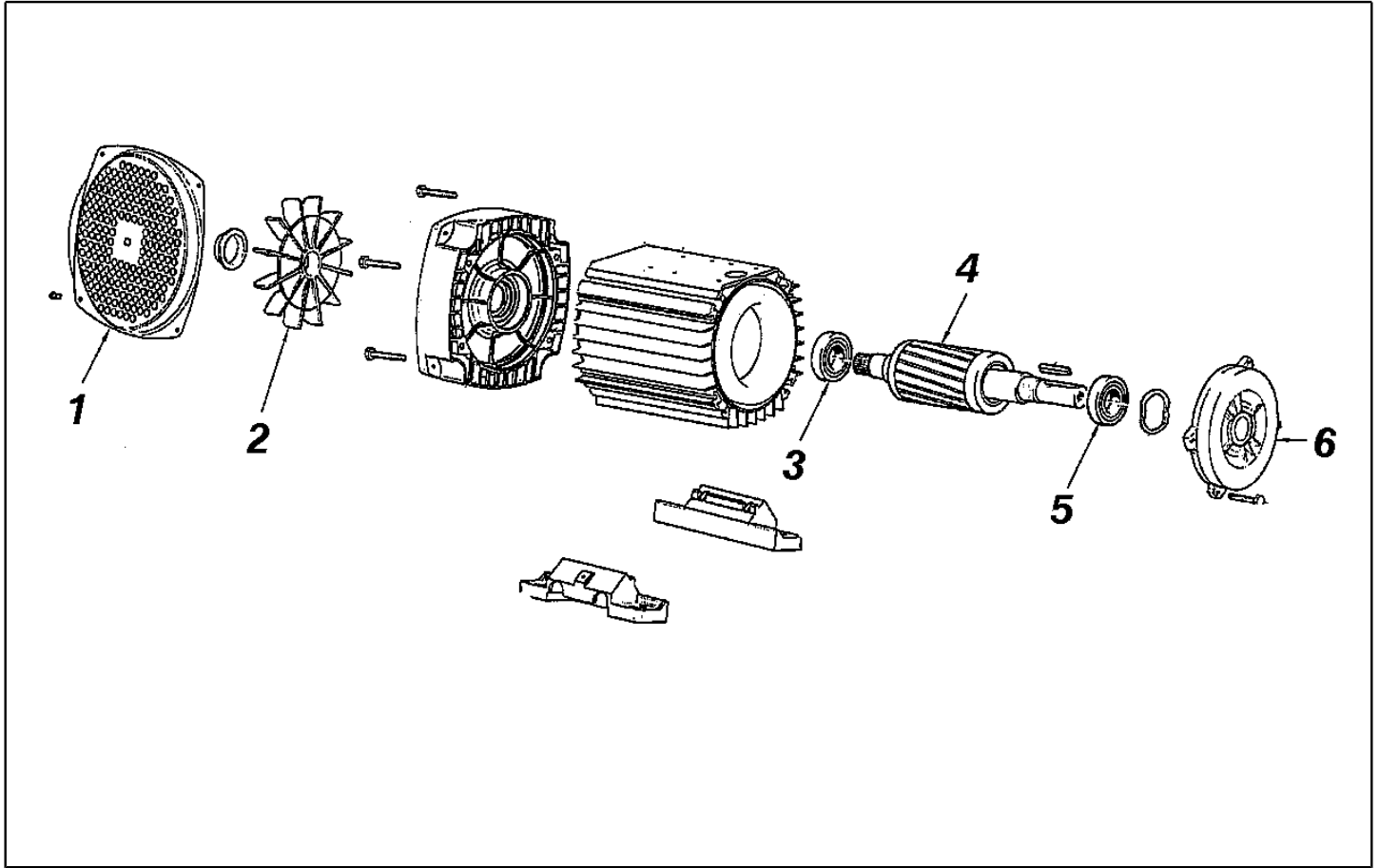
Ref. K	Part n.	Part n. 2	Description	Quantity	Validity		Price
					From	To	
0053	RCDS01090		CAP 3/8X13 M WW90	1,00			--
0054	VTRS01074		WASHER D.17,05X22,3 X1,5	1,00			--
0056	S	GUVR34585	PACKING W 151 L.P.	3,00			--



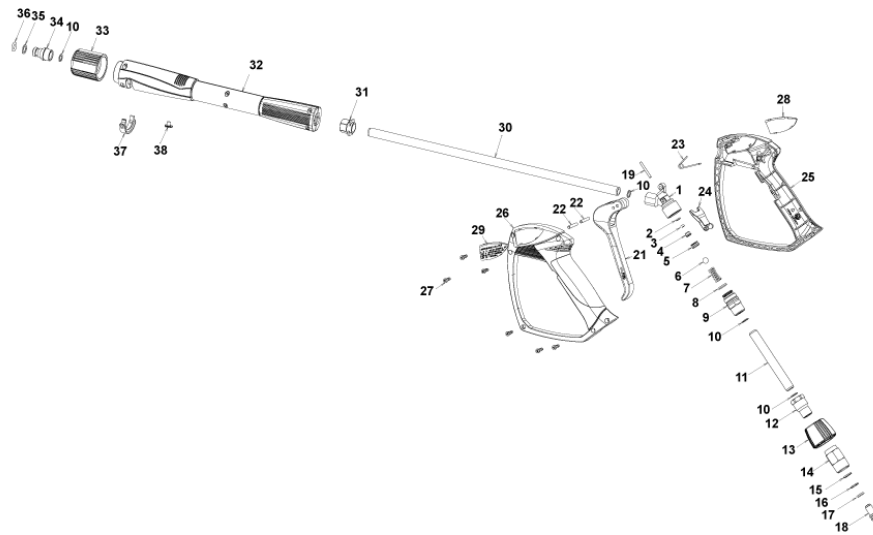
Ref. Part n.	Part n. 2	Description	Reference	Price
KTRI17795		KIT P 4	0009 0010	--
KTRI17859		KIT P 1	0011	--
KTRI17860		KIT P 15- 2	0016	--
KTRI17793		KIT P 6	0031 0034 0036 0037 0038	--
KTRI14900		KIT P 15- 3	0041	--
KTRI14901		KIT P 10	0042 0043	--
KTRI18579		KIT P 28	0042 0043 0044 0045 0046 0047 0056	--
KTRI18574		KIT P 7	0045	--
KTRI36927		KIT P 69	0044 0047 0056	--
KTRI35429		KIT P 71	0046 0047	--



Ref. K	Part n.	Part n. 2	Description	Quantity	Validity		Price
					From	To	
0001	LAFN40007		PROTECTION ED H.112 EST. LM.BK	1,00			--
0002	VEVR48370		MOTOR FAN H 112 EST. ELD	1,00			--
0003	CUVR40002		BALL BEARING 6306 2Z	1,00			--
0004	MORT40001		EL.MOT. ROTOR 7.5HP T 4P H112 AC EST ED	1,00			--
0005	CUVR21250		BALL BEARING 6008 2Z	1,00			--
0006	MFVR48371		FLANGE MOTOR MEC 112 T. EST. ELD	1,00			--

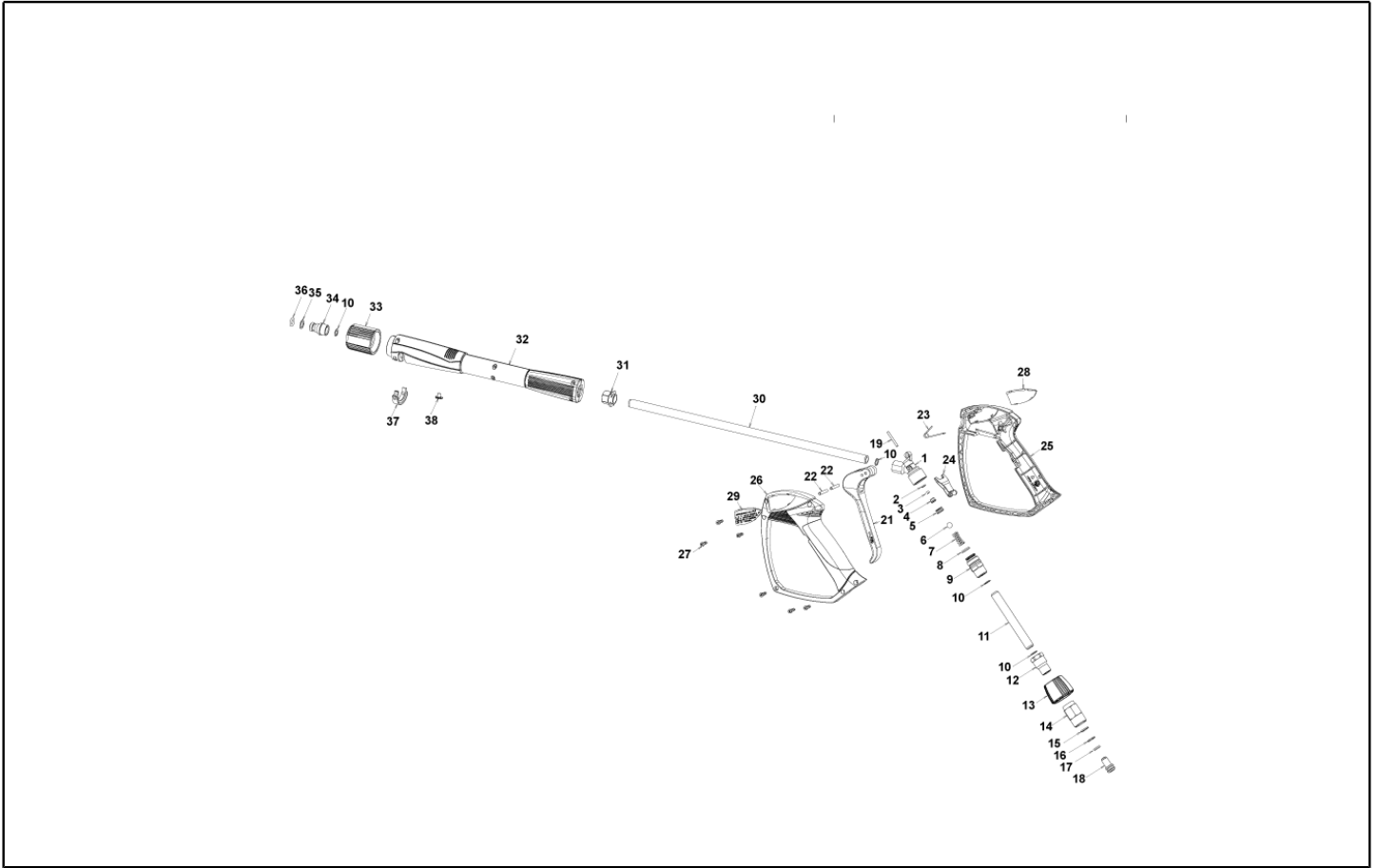


Ref. K	Part n.	Part n. 2	Description	Quantity	Validity		Price
					From	To	
0001	LAFN40007		PROTECTION ED H.112 EST. LM.BK	1,00			--
0002	VEVR48370		MOTOR FAN H 112 EST. ELD	1,00			--
0003	CUVR40002		BALL BEARING 6306 2Z	1,00			--
0004	MORT40001		EL.MOT. ROTOR 7.5HP T 4P H112 AC EST ED	1,00			--
0005	CUVR21250		BALL BEARING 6008 2Z	1,00			--
0006	MFVR48371		FLANGE MOTOR MEC 112 T. EST. ELD	1,00			--



Ref. K	Part n.	Part n. 2	Description	Quantity	Validity		Price
					From	To	
0001	PVVR40381		GUN BODY G 5100 G1/4F	1,00			--
0002	S	GUVR40074	ANTI-EXTR.RING D. 3 X 7.4X1.3	1,00			--
0003	S	GUGO21835	O-RING D. 2.84 X 2.62 VIT. 80SH	1,00			--
0004	PVVR40382		PISTON GUIDE G 5100	1,00			--
0005	S	PVVR40112	BALL SEAT G 5000	1,00			--
0006	S	SFVR27026	BALL D.11/32" INX	1,00			--
0007	MLML40016		SPRING D. 9.4 x21.5x1.6 G5000	1,00			--
0008	GUGO12322		O-RING D. 14 X 1.78 NBR 90SH	1,00			--
0009	PVVR40383		CONNECTOR COLL.G5100 1/4F	1,00			--
0010	VTRS40017		WASHER D. 8.2X11,4X1.00	4,00			--
0011	PVVR40384		TUBE G 1/4" L.105	1,00			--
0012	RCIN40022		CONNECTOR SWIV G5100 1/4F	1,00			--
0013	MPVR40486		RING NUT G 5100 SW. GR.	1,00			--
0014	RCIN40021		JOINT SWIV 5100 M22	1,00			--
0015	S	GUVR40075	ANTI-EXTR.RING D. 10 X14X1.5	1,00			--
0016	S	GUVR40076	ANTI-EXTR.RING D. 11.2X14X1.2	1,00			--
0017	S	GUGO15295	O-RING D. 10.82 X 1.78 VIT 75SH	1,00			--
0018	PVVR40386		SCREW SW. G 5100	1,00			--
0019	PVVR40387		SMALL PISTON G 5100	1,00			--
0021	MPVR40487		TRIGGER G 5100-SW	1,00			--
0022	VTVR40047		PLUG D. 4X29	2,00			--
0023	MLML40029		SPRING G 5100	1,00			--
0024	MPVR40488		SAFETY-DEVICE G 5100-SW	1,00			--
0025	MPVR40489		SHELL G 5100-SW DX	1,00			--
0026	MPVR40490		SHELL G 5100-SW SX	1,00			--
0027	VTVT40043		SCREW AF 4X 14 HILO ZN.N	6,00			--
0028	MPVR40491		PLATE G 5100 GR.DX	1,00			--
0029	MPVR40492		PLATE G 5100 GR.SX	1,00			--
0030	LCPR40086		TUBE 1/4 L=420 ZC. 0°	1,00			--
0031	MPVR40493		CONNECTOR G 5100-SW	1,00			--
0032	MPVR40494		PROTECTION P 420 C/AN.	1,00			--
0033	PVVR40119		CONNECTION M22X1.5 IRV G5000	1,00			--
0034	RCIN40009		GUDGEON G 1/4 F IRV G5000	1,00			--
0035	GUVR40034		ANTI-EXTR.RING D. 10 X14	1,00			--
0036	GUGO01946		O-RING D. 9.13 X 2.62 VIT 70SH	1,00			--
0037	MPVR40495		CAP G 5100 REM.	1,00			--
0038	MPVR40198		CAP G 5000	1,00			--





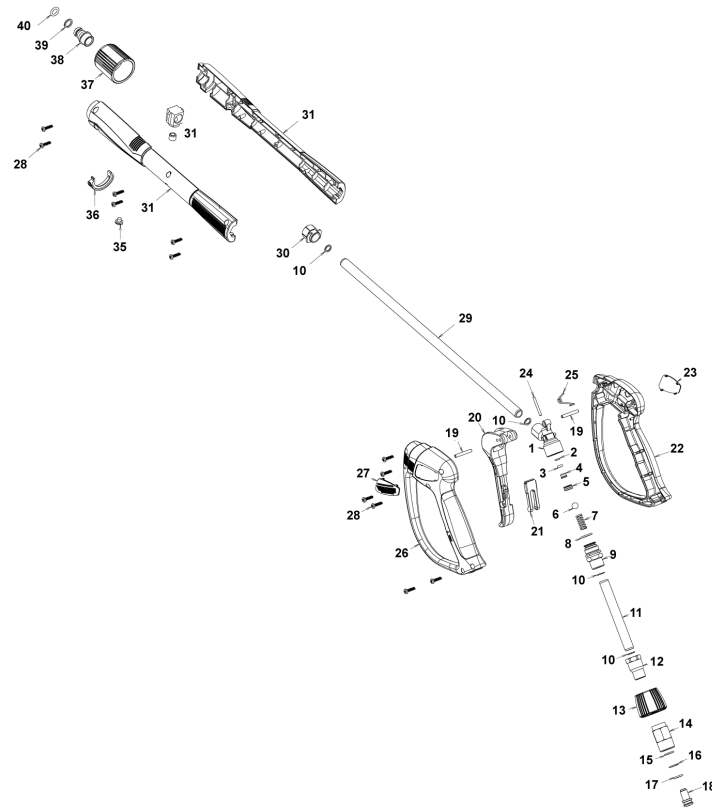
Ref. Part n.	Part n. 2	Description	Reference	Price
KTRI40242		KIT P 26- 25 G 5100	0002 0003 0005 0006	--
KTRI40243		KIT P 26- 26 SWIVEL G 5100	0015 0016 0017	--



Ref. K	Part n.	Part n. 2	Description	Quantity	Validity		Price
					From	To	
0001	PVVR40381		GUN BODY G 5100 G1/4F	1,00			--
0002	S	GUVR40074	ANTI-EXTR.RING D. 3 X 7.4X1.3	1,00			--
0003	S	GUGO21835	O-RING D. 2.84 X 2.62 VIT. 80SH	1,00			--
0004		PVVR40382	PISTON GUIDE G 5100	1,00			--
0005	S	PVVR40112	BALL SEAT G 5000	1,00			--
0006	S	SFVR40002	BALL D.11/32" ALL GR16	1,00			--
0007		MLML40016	SPRING D. 9.4 x21.5x1.6 G5000	1,00			--
0008		GUGO12322	O-RING D. 14 X 1.78 NBR 90SH	1,00			--
0009		PVVR40383	CONNECTOR COLL.G5100 1/4F	1,00			--
0010		VTRS40017	WASHER D. 8.2X11,4X1.00	4,00			--
0011		PVVR40384	TUBE G 1/4" L.105	1,00			--
0012		RCIN40022	CONNECTOR SWIV G5100 1/4F	1,00			--
0013		MPVR40819	RING NUT G 5100 SW. BK.	1,00			--
0014		RCIN40021	JOINT SWIV 5100 M22	1,00			--
0015	S	GUVR40075	ANTI-EXTR.RING D. 10 X14X1.5	1,00			--
0016	S	GUVR40076	ANTI-EXTR.RING D. 11.2X14X1.2	1,00			--
0017	S	GUGO15295	O-RING D. 10.82 X 1.78 VIT 75SH	1,00			--
0018		PVVR40386	SCREW SW. G 5100	1,00			--
0019		VTVR40047	PLUG D. 4X29	2,00			--
0020		MPVR40820	TRIGGER G 6000-SW	1,00			--
0021		MPVR40821	SAFETY-DEVICE G 6000-SW	1,00			--
0022		MPVR40822	SHELL G 6000-SW DX	1,00			--
0023		MPVR40823	PLATE G 6000 GR.DX	1,00			--
0024		PVVR40387	SMALL PISTON G 5100	1,00			--
0025		MLML40029	SPRING G 5100	1,00			--
0026		MPVR40824	SHELL G 6000-SW SX	1,00			--
0027		MPVR40825	PLATE G 6000 GR.SX	1,00			--
0028		VTVT40043	SCREW AF 4X 14 HILO ZN.N	12,00			--
0029		LCPR40086	TUBE 1/4 L=420 ZC. 0°	1,00			--
0030		MPVR40493	CONNECTOR G 5100-SW	1,00			--
0031		MPVR40494	PROTECTION P 420 C/AN.	1,00			--
0035		MPVR40198	CAP G 5000	1,00			--
0036		MPVR40495	CAP G 5100 REM.	1,00			--
0037		PVVR40119	CONNECTION M22X1,5 IRV G5000	1,00			--
0038		RCIN40009	GUDGEON G 1/4 F IRV G5000	1,00			--
0039		GUVR40034	ANTI-EXTR.RING D. 10 X14	1,00			--
0040		GUGO01946	O-RING D. 9.13 X 2.62 VIT 70SH	1,00			--



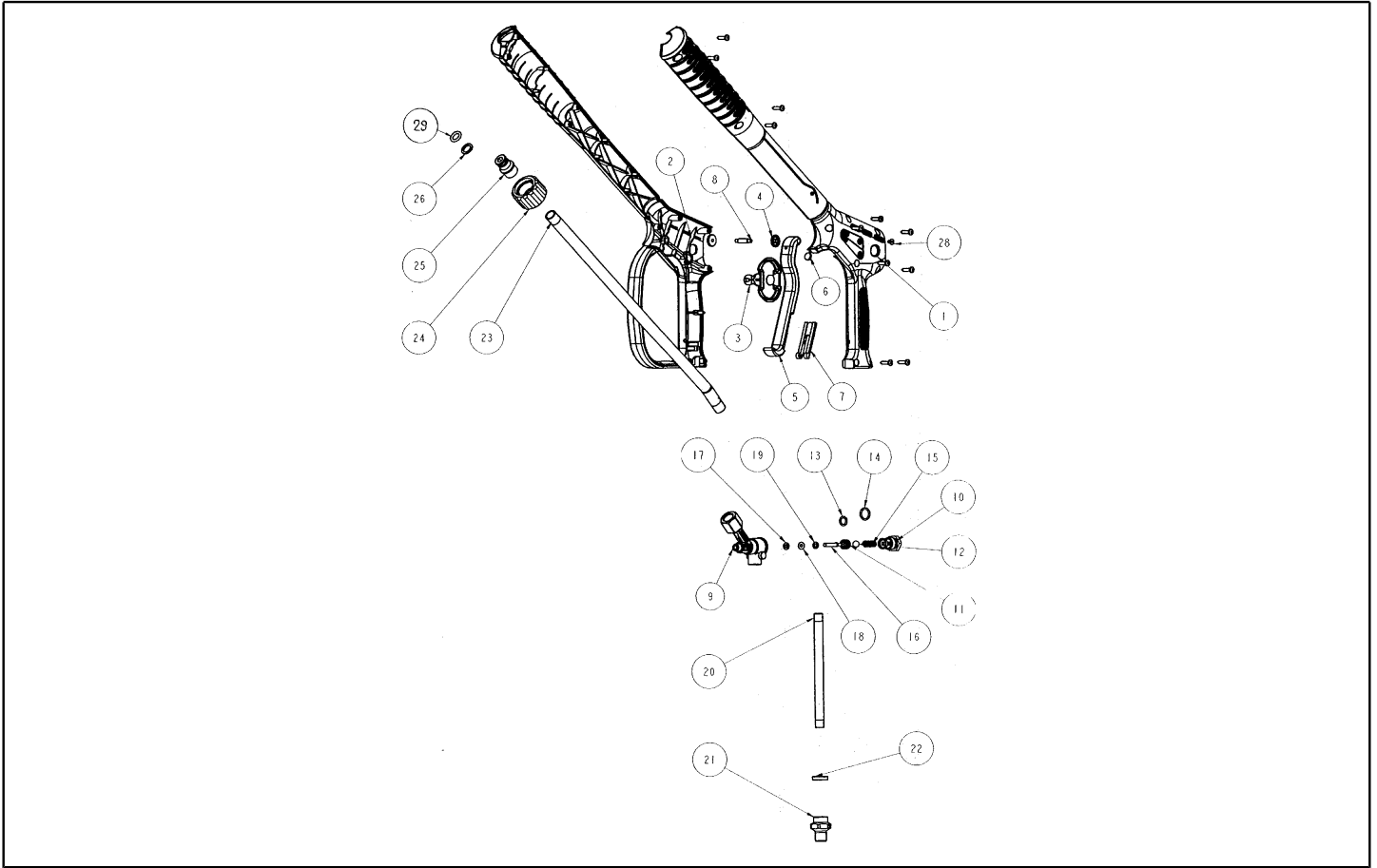
Ref. Part n.	Part n. 2	Description	Reference	Price
KTRI40243		KIT P 26- 26 SWIVEL G 5100	0015 0016 0017	--
KTRI40414		KIT P 26- 34 G 6000	0002 0003 0005 0006	--



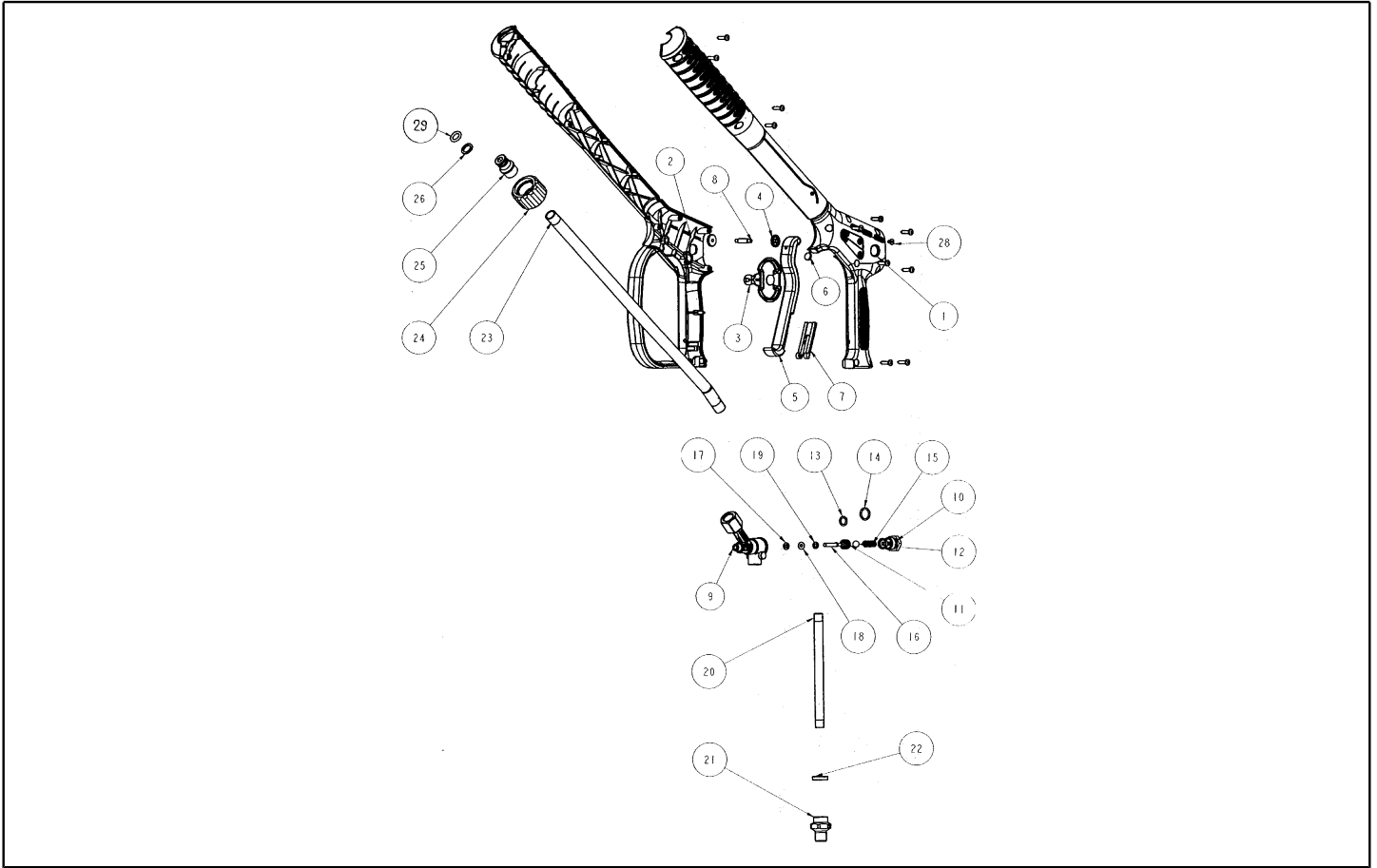
Ref. K	Part n.	Part n. 2	Description	Quantity	Validity		Price
					From	To	
0001	PVVR40381		GUN BODY G 5100 G1/4F	1,00			--
0002	S	GUVR40074	ANTI-EXTR.RING D. 3 X 7.4X1.3	1,00			--
0003	S	GUGO21835	O-RING D. 2.84 X 2.62 VIT. 80SH	1,00			--
0004		PVVR40382	PISTON GUIDE G 5100	1,00			--
0005	S	PVVR40563	BALL SEAT AL36 G6000 + OR	1,00			--
0006	S	SFVR40004	BALL D. 5/16" ALL.GR16	1,00			--
0007		MLML40047	SPRING D. 9.4 x23.5x1.6 G6000	1,00			--
0008		GUGO12322	O-RING D. 14 X 1.78 NBR 90SH	1,00			--
0009		PVVR40383	CONNECTOR COLL.G5100 1/4F	1,00			--
0010		VTRS40017	WASHER D. 8.2X11,4X1.00	4,00			--
0011		PVVR40384	TUBE G 1/4" L.105	1,00			--
0012		RCIN40022	CONNECTOR SWIV G5100 1/4F	1,00			--
0013		MPVR40967	RING NUT G 6000 SW. GR.	1,00			--
0014		RCIN40021	JOINT SWIV 5100 M22	1,00			--
0015	S	GUVR40075	ANTI-EXTR.RING D. 10 X14X1.5	1,00			--
0016	S	GUVR40076	ANTI-EXTR.RING D. 11.2X14X1.2	1,00			--
0017	S	GUGO15295	O-RING D. 10.82 X 1.78 VIT 75SH	1,00			--
0018		PVVR40386	SCREW SW. G 5100	1,00			--
0019		VTVR40047	PLUG D. 4X29	2,00			--
0020		MPVR40820	TRIGGER G 6000-SW	1,00			--
0021		MPVR40821	SAFETY-DEVICE G 6000-SW	1,00			--
0022		MPVR40822	SHELL G 6000-SW DX	1,00			--
0023		MPVR40968	PLATE G 6000/2 GR.DX	1,00			--
0024		PVVR40564	SMALL PISTON G 6000 AL36 SP.	1,00			--
0025		MLML40029	SPRING G 5100	1,00			--
0026		MPVR40824	SHELL G 6000-SW SX	1,00			--
0027		MPVR40825	PLATE G 6000 GR.SX	1,00			--
0028		VTVT40043	SCREW AF 4X 14 HILO ZN.N	12,00			--
0029		LCPR40181	TUBE 1/4 L=416 ZC. 0°	1,00			--
0030		MPVR40493	CONNECTOR G 5100-SW	1,00			--
0031		MPVR40494	PROTECTION P 420 C/AN.	1,00			--
0035		MPVR40198	CAP G 5000	1,00			--
0036		MPVR40495	CAP G 5100 REM.	1,00			--
0037		PVVR40119	CONNECTION M22X1,5 IRV G5000	1,00			--
0038		RCIN40048	GUDGEON G 1/4 F IRV G6000/2	1,00			--
0039		GUVR40034	ANTI-EXTR.RING D. 10 X14	1,00			--
0040		GUGO63555	O-RING D. 9.3 X 2,4 VIT 75SH	1,00			--



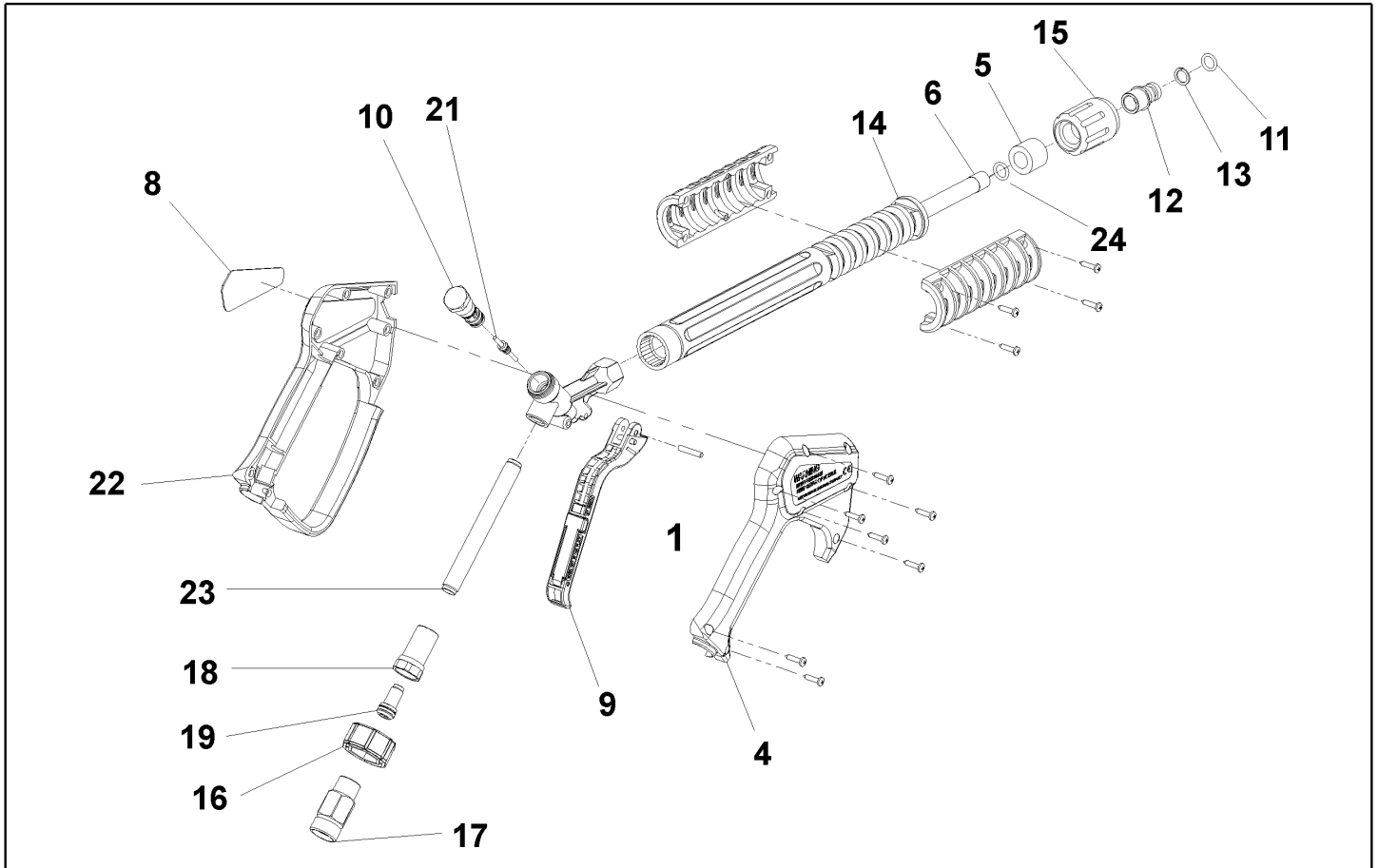
Ref. Part n.	Part n. 2	Description	Reference	Price
KTRI40243		KIT P 26- 26 SWIVEL G 5100	0015 0016 0017	--
KTRI40513		KIT P 26- 36 G 6000/II	0002 0003 0005 0006	--



Ref. K	Part n.	Part n. 2	Description	Quantity	Validity		Price
					From	To	
0001	MPVR43269		HALF BEARING G2200 SX PRT	1,00			--
0002	MPVR43268		HALF BEARING G2200 DX PRT	1,00			--
0003	MPVR43270		CAP G2200	1,00			--
0004	VTRS41562		WASHER AURA 200	2,00			--
0005	MPVR41568		TRIGGER AURA 200	1,00			--
0006	PVVR41567		PAWL AURA 200 INX	1,00			--
0007	MPVR41569		SAFETY-DEVICE AURA 200	1,00			--
0008	VTVR41566		PLUG AURA 200	1,00			--
0009	PVVR41559		GUN BODY AURA G1/4 L.18	1,00			--
0010	E PVVR43275		CAP M14X1 AURA 200 2.V	1,00			--
0011	E PVVR43274		BALL SEAT AURA 200 2.V	1,00			--
0012	E SFVR12904		BALL D. 9/32 W1 INX	1,00			--
0013	E GUGO63426		O-RING D. 7.66 X 1.78 NBR 90SH	1,00			--
0014	E GUGO19194		O-RING D. 11.11 X 1.78 NBR 70SH	1,00			--
0015	E MLML41571		SPRING D. 7 X21 D.1.2	1,00			--
0016	S PVVR43264		SMALL PISTON AURA 200 INX L=30 2V.	1,00			--
0017	S GUVVR41557		ANTI-EXTR.RING D. 4 X 7.8X1.2	1,00			--
0018	S GUGO01201		O-RING D. 3.6 X 2.4 -NBR 70SH	1,00			--
0019	S VTRS43265		WASHER OT AURA	1,00			--
0020	PVVR43272		PIPE G 1/8" M/M L.133	1,00			--
0021	RCIN41561		MALE COUPLING M 22 -1/8F	1,00			--
0022	MPVR43271		WASHER 1/8" G2200	1,00			--
0023	LCPR43273		TUBE 1/4 L=384 0° 1/4 M-M INX	1,00			--
0024	PVVR43276		CONNECTION M22X1.5 IRV	1,00			--
0025	RCIN43267		GUDGEON G 1/4 F IRV	1,00			--
0026	GUVVR43266		ANTI-EXTR.RING SR 110	1,00			--
0028	PVVR42233		CAP D. 3 PLS YLW.	1,00			--
0029	GUGO28927		O-RING D. 9.13 X 2.62 NBR 70SH	1,00			--

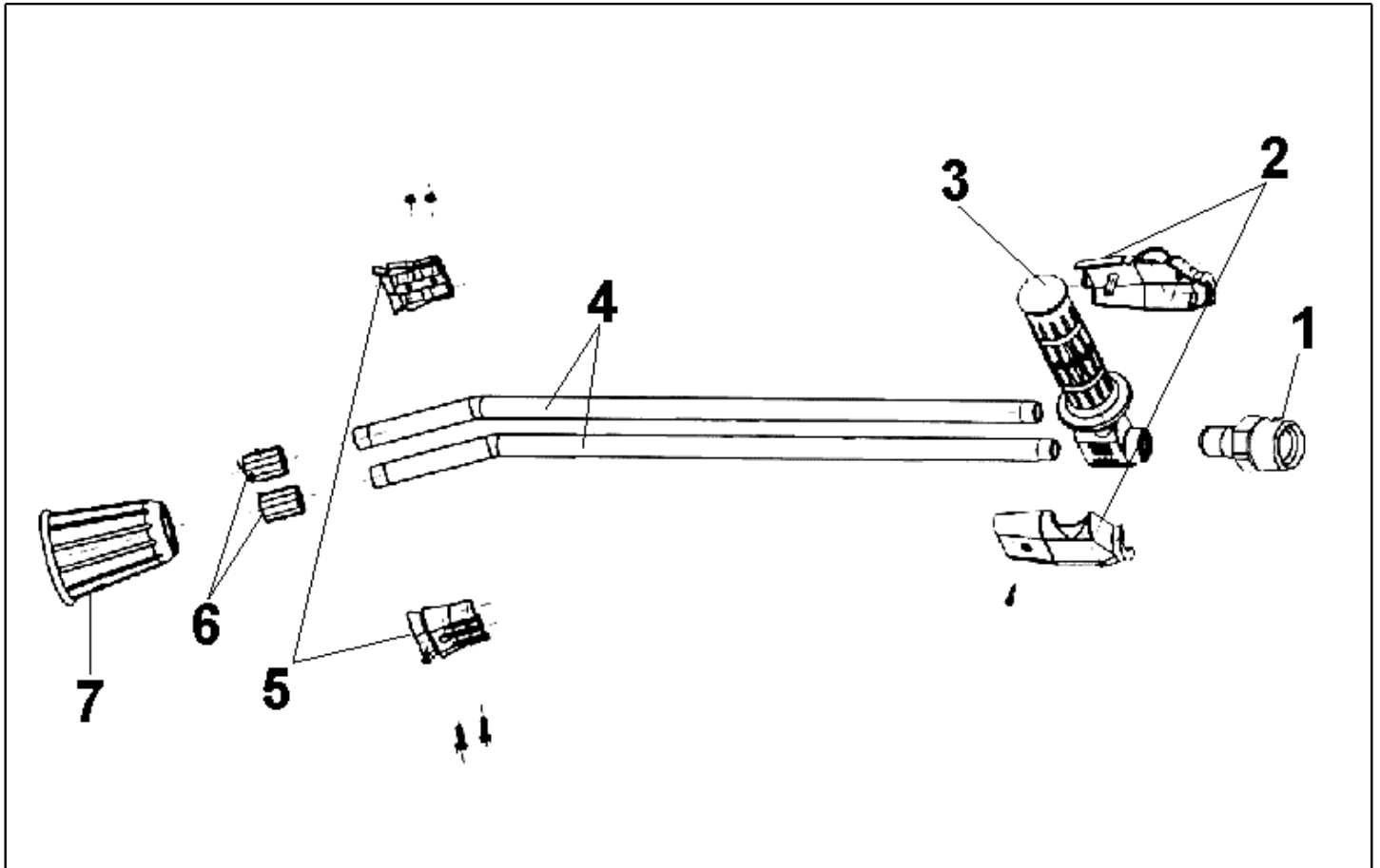


Ref. Part n.	Part n. 2	Description	Reference	Price
KTRI40835		KIT P 26- 15 AURA 200	0011 0012 0013 0014 0015 0016 0017 0018 0019	--
KTRI47792		KIT P 26- 20 AURA 200	0010 0011 0012 0013 0014 0015	--

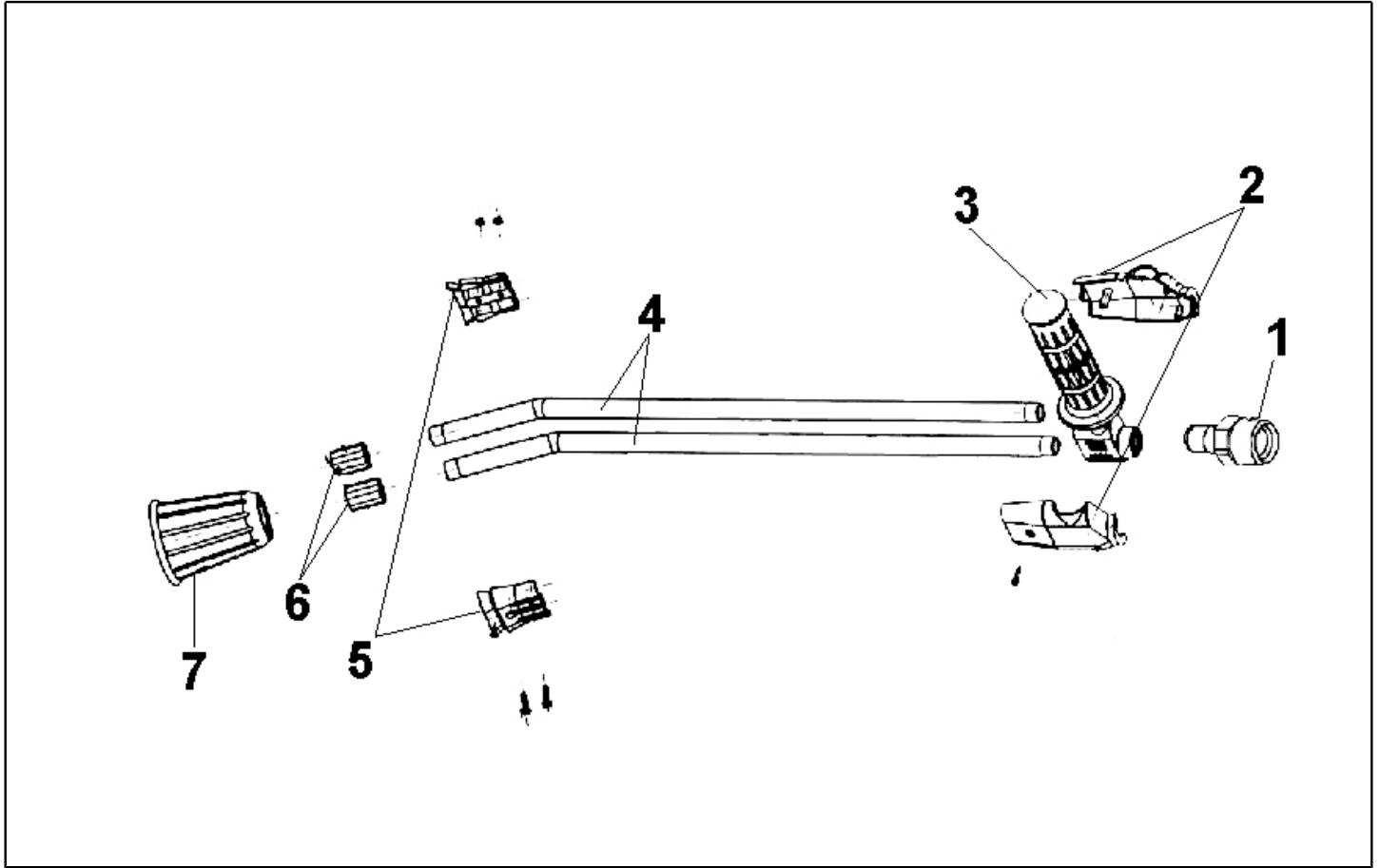


Ref. K	Part n.	Part n. 2	Description	Quantity	Validity		Price
					From	To	
0001	VTVR46568		PLUG G 4500	1,00			--
0004	MPVR46563		COVER G 4500	1,00		30/04/2008	--
0004	MPVR40157		COVER G 4500 2V.	1,00	01/05/2008		--
0005	MPVR46572		SPACER P 330 ST	1,00			--
0006	LCPR46571		TUBE 1/4 L=352 ZC.	1,00		30/04/2008	--
0006	LCPR40007		TUBE 1/4 L=352 ZC. 2V.	1,00	01/05/2008		--
0008	MPVR46569		PLATE G 4500 RD.	1,00			--
0009	MPVR40057		TRIGGER G 4500 -SW	1,00			--
0010	PVVR40030		SMALL PISTON TM ST-2300	1,00			--
0011	GUGO10384		O-RING D. 10 X 2.2 VIT 80SH	1,00			--
0012	RCVR13030		GUDGEON G 1/4 F L=31.5	1,00			--
0013	GUVR10526		ANTI-EXTR.RING D.13.9X10.2 C.BZ	1,00			--
0014	MPVR46570		PROTECTION P 330 ST	1,00			--
0015	PVVR13445		CONNECTION M 22X1,5 L=45	1,00			--
0016	MPVR40058		RING NUT G4500 SW.	1,00			--
0017	RCIN40001		JOINT SWIV 4500 3/8"F	1,00		30/04/2008	--
0017	RCIN40005		JOINT SWIV 4500 3/8"F 2V.	1,00	01/05/2008		--
0018	RCIN31641		CONNECTOR SWIV 1500 F	1,00			--
0019	KTRI31645		KIT P 26- 14	1,00			--
0021	PVVR40031		ROD ST-2300	1,00			--
0022	MPVR46562		SHELL G 4500	1,00		30/04/2008	--
0022	MPVR40156		SHELL G 4500 2V.	1,00	01/05/2008		--
0023	PVVR40023		TUBE G 1/4" M/M P/SW.	1,00			--
0024	GUGO27021		O-RING D. 11 X 2.5 EPD 70SH	1,00	01/05/2008		--

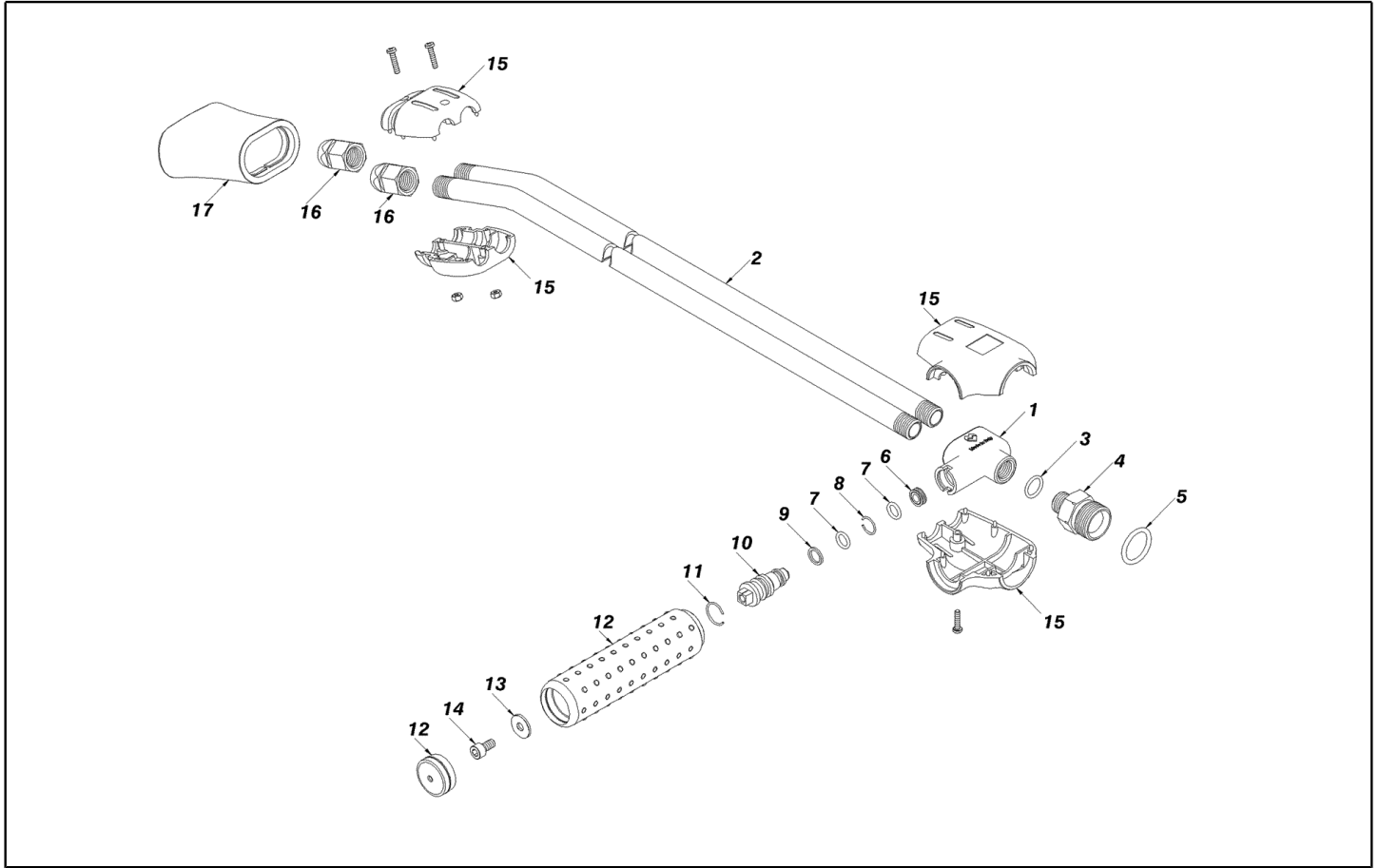




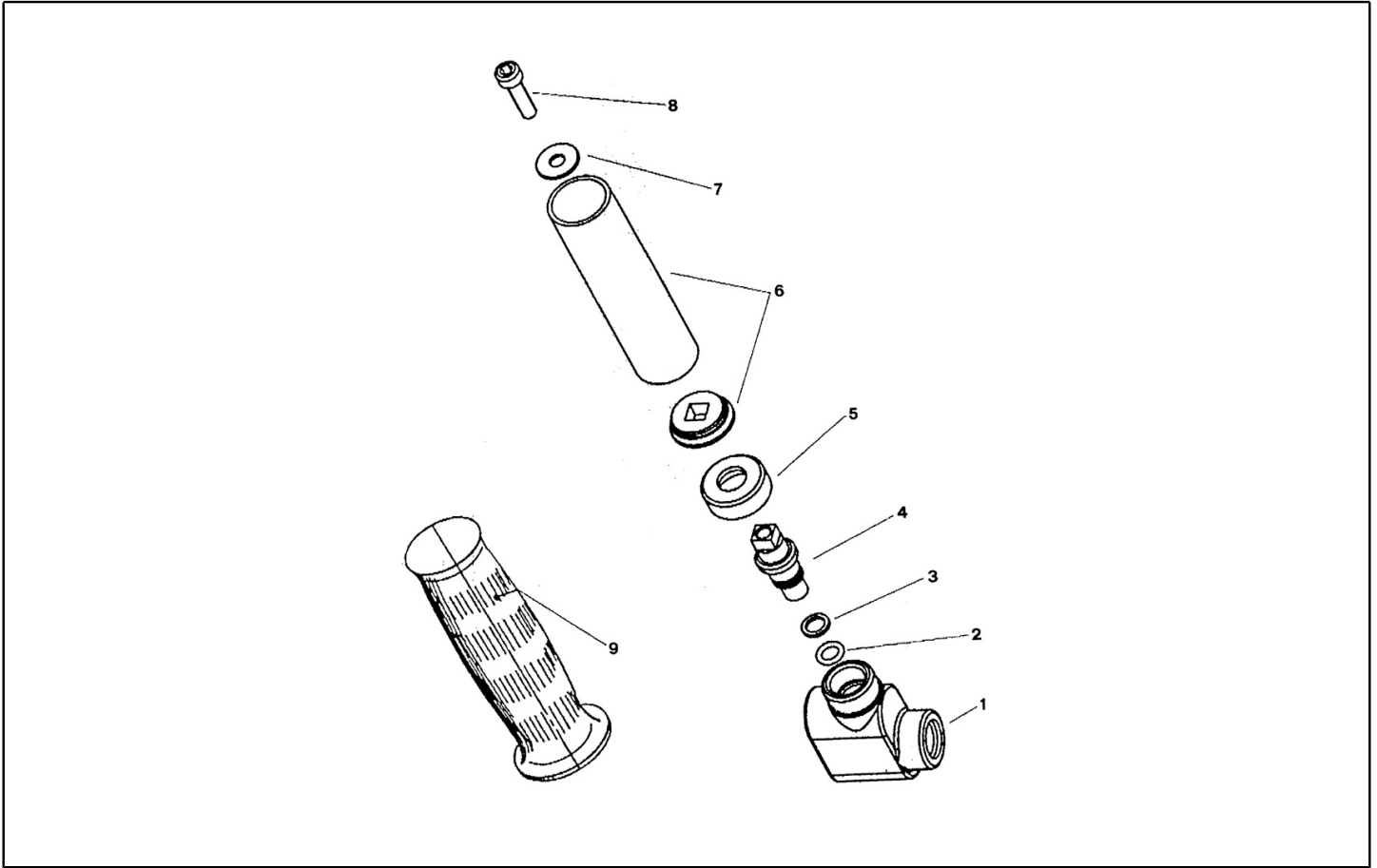
Ref. K	Part n.	Part n. 2	Description	Quantity	Validity		Price
					From	To	
0001	PVVR45296		COUPLING G 1/4M -M22 M +PR.PLS	1,00			--
0002	MPVR45214		PROTECTION TB.1/4 MTM	1,00			--
0003	RCGR45737		TAP 1/8 F LD MTM	1,00			--
0004	LCPR45738		TUBE 1/8 L=500 INOX MTM	2,00			--
0005	MPVR45001		SHELL LD MTM	1,00			--
0006	RCVR45741		NOZZLE HOLDER 1/4-1/8 F MTM	2,00			--
0007	PVVR43810		PROTECTION L.D. MTM	1,00			--



Ref. K	Part n.	Part n. 2	Description	Quantity	Validity		Price
					From	To	
0001	PVVR45296		COUPLING G 1/4M -M22 M +PR.PLS	1,00			--
0002	MPVR45214		PROTECTION TB.1/4 MTM	1,00			--
0003	RCGR45737		TAP 1/8 F LD MTM	1,00			--
0004	LCPR45740		TUBE 1/8 L=660 INOX MTM	2,00			--
0005	MPVR45001		SHELL LD MTM	1,00			--
0006	RCVR45741		NOZZLE HOLDER 1/4-1/8 F MTM	2,00			--
0007	PVVR43810		PROTECTION L.D. MTM	1,00			--



Ref. K	Part n.	Part n. 2	Description	Quantity	Validity		Price
					From	To	
0001	RCGR40000		TAP BODY L.DOP. 1/4" MV INX	1,00			--
0002	LCPR40000		TUBE 1/4 L=700 CROM.	2,00		30/11/2009	--
0002	LCPR40107		TUBE 1/4 L=700 INX.	2,00	01/12/2009		--
0003	GUGO19194		O-RING D. 11.11 X 1.78 NBR 70SH	1,00		30/09/2010	--
0003	VTRS04931		WASHER COPPER D.13X19X1.5	1,00	01/10/2010		--
0004	RCIN46781		MALE COUPLING MV 1/4 -M 22 M	1,00			--
0005	GUGO01056		O-RING D. 18.72 X 2.62 NBR 70SH	1,00			--
0006	PVVR40019		BUSHING MV LD	1,00			--
0007	GUGO06988		O-RING D. 7.66 X 1.78 NBR 70SH	2,00			--
0008	PVVR40020		CIRCLIP LD MV D. 8	1,00			--
0009	GUGO40002		ANTI-EXTR.RING D. 8 NBR	1,00			--
0010	PVVR40021		REGULAT. SCREW LD MV INX	1,00			--
0011	PVVR46783		CIRCLIP LD MV	1,00			--
0012	PVVR46784		KNOB LD MV +CAP	1,00			--
0013	VTRS15958		WASHER UNI 6592 5X15X1,5 ZB	1,00			--
0014	VTVT17639		SCREW TCEI M 5X10 UNI 5931	1,00			--
0015	MPVR46786		PROTECTION LD/TB MV	1,00			--
0016	RCVR46787		NOZZLE HOLDER 1/4-1/4 F MV	12,00			--
0017	PVVR46788		PROTECTION LD MV	1,00			--



Ref. K	Part n.	Part n. 2	Description	Quantity	Validity		Price
					From	To	
0001	RCGR41556		TAP BODY L.DOP. 1/8" MTM	1,00		08/03/2010	--
0001	PVVR40132		VALVE BODY L.DP 1/4F-1/8FF CP.	1,00	09/03/2010		--
0002	GUGO10330		O-RING D. 6.07 X 1.78 VIT 70SH	1,00		08/03/2010	--
0003	GUVR41551		ANTI-EXTR.RING SR 010	1,00		08/03/2010	--
0004	PVVR41553		SMALL PISTON L.DP. MTM	1,00		08/03/2010	--
0005	PVVR41555		RING NUT L.DOP. MTM	1,00		08/03/2010	--
0006	LAFN41552		PIPE D. 22 MTM	1,00			--
0007	VTRS15958		WASHER UNI 6592 5X15X1,5 ZB	1,00			--
0008	VTVT17639		SCREW TCEI M 5X10 UNI 5931	1,00			--
0009	MPVR41554		KNOB D. 22 MTM	1,00			--