



IPC

Spare parts list

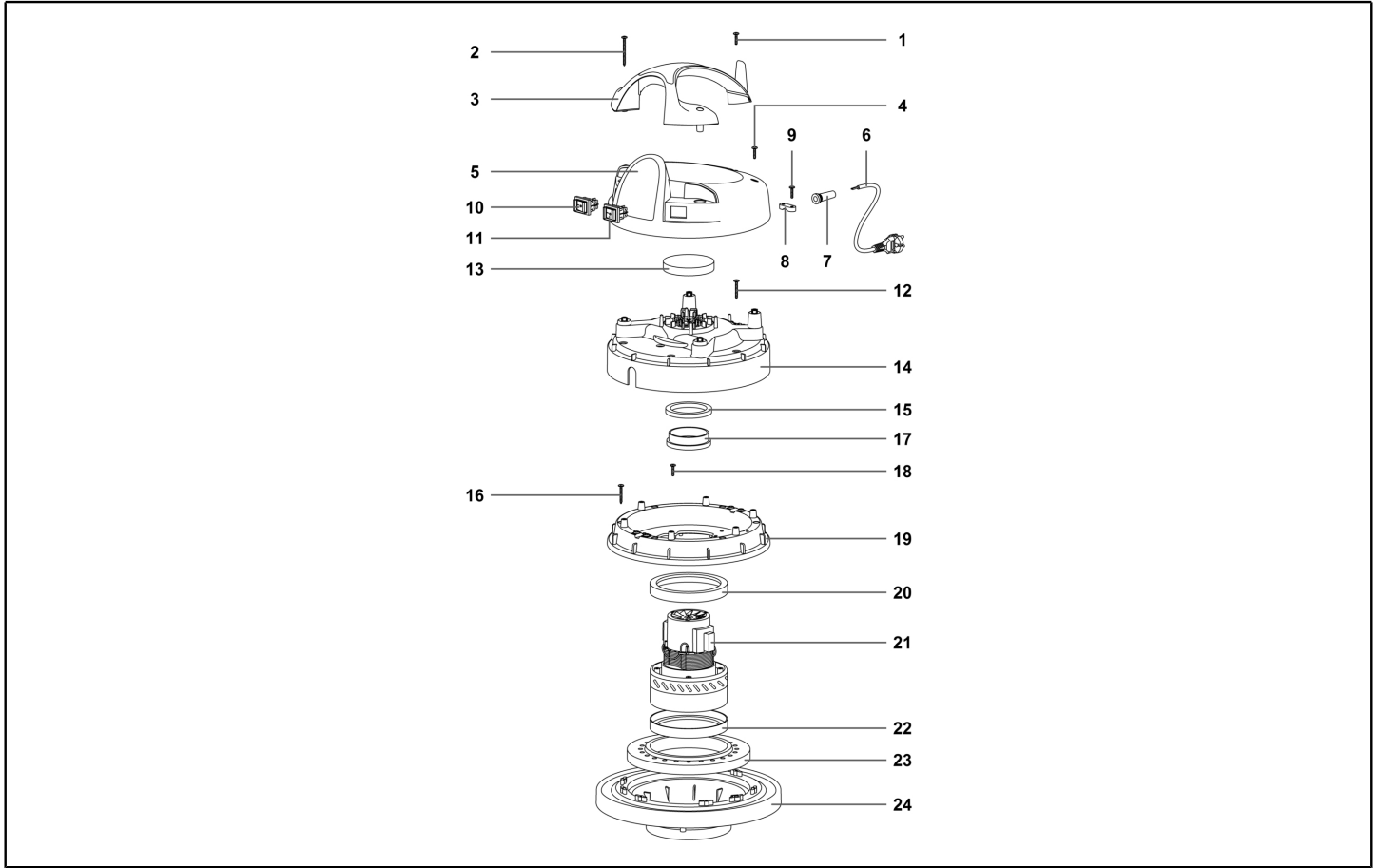
Ref: ASDO05803
Cust.ref: ASDO05803
Model: TORNADO EXTR. 200 W/ACC
Cust.model: TORNADO 200



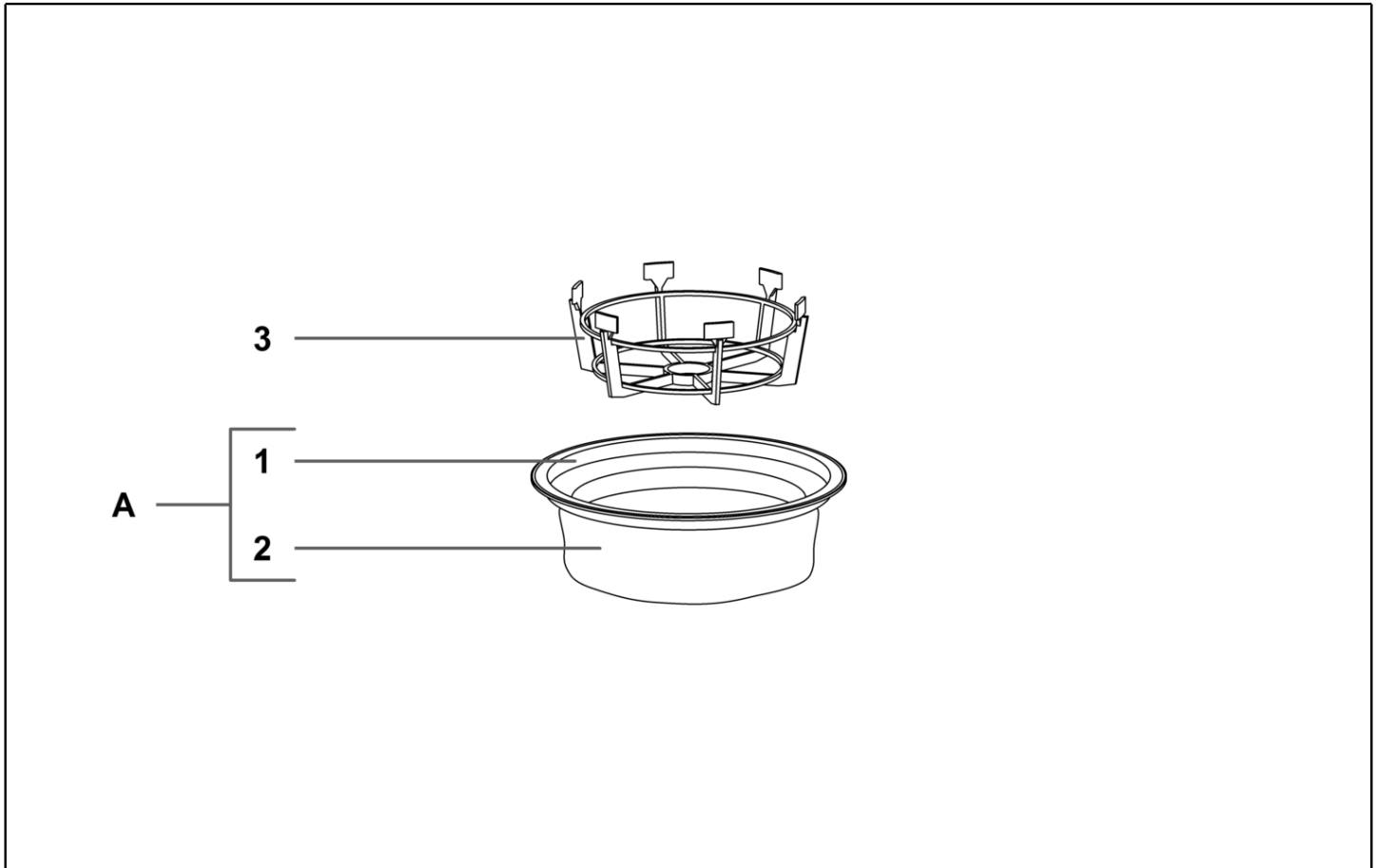
IPC Integrated Professional Cleaning

IPC Soteco

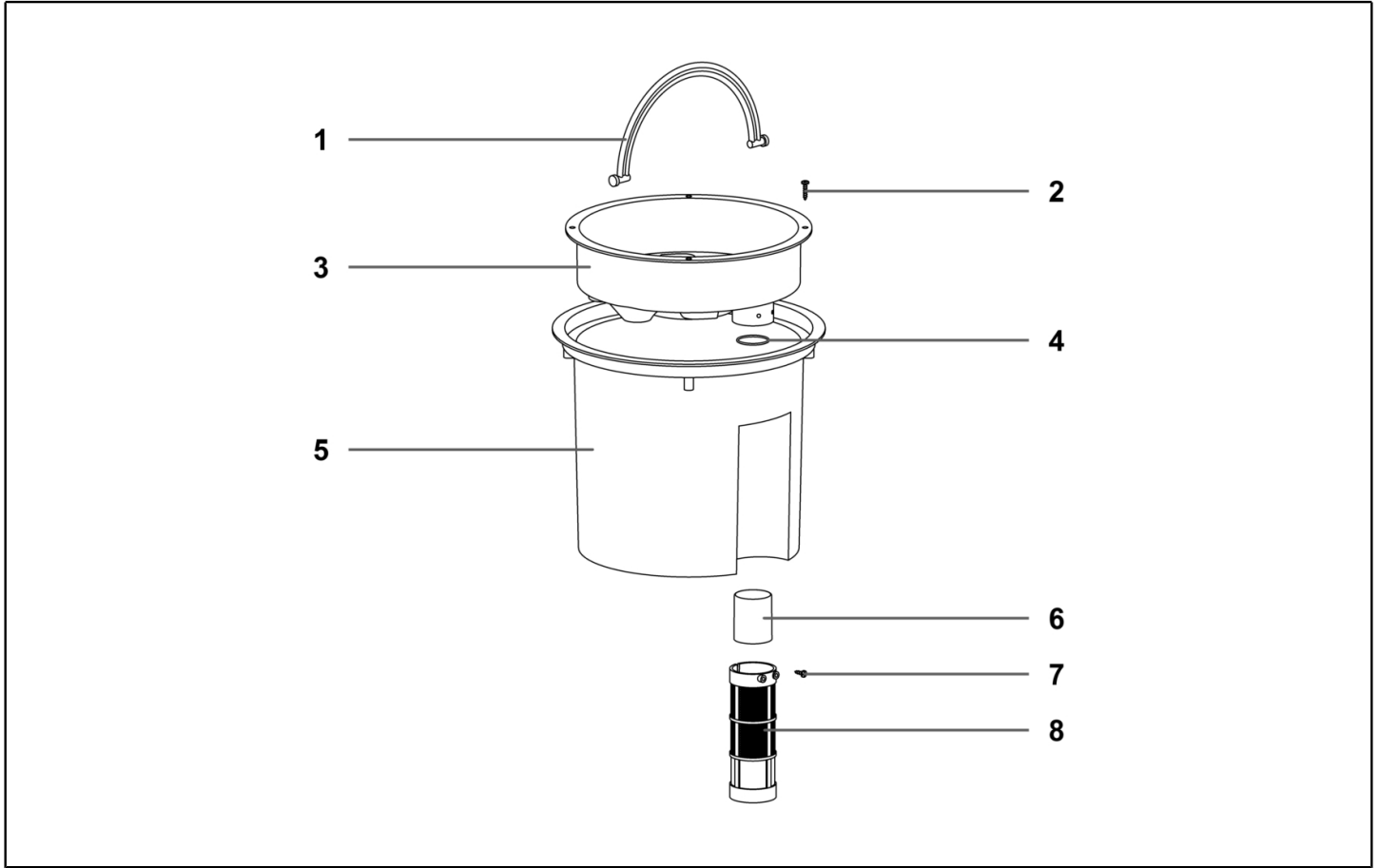
| Ref. K | Part n. | Part n. 2 | Description | Quantity | Validity | | Price |
|--------|-----------|-----------|--------------------------------------|----------|------------|----|-------|
| | | | | | From | To | |
| 0001 | PMTA01637 | | GAMMA HEAD 200 2ST ORA/G6+PRESS.SW. | 1,00 | | | -- |
| 0002 | KTRI04111 | | KIT RING+FILTER SAN+BASKET | 1,00 | | | -- |
| 0003 | MPVR42001 | | COMPL.CLEAR WATER TANK LT.6 | 1,00 | | | -- |
| 0004 | PMFU02043 | | TANK 99 KOALA COMPLETE | 1,00 | | | -- |
| 0005 | PMDT00962 | | ACCESSORIES 36 ESTR W&D I/EST T/A T3 | 1,00 | 01/12/2017 | | -- |



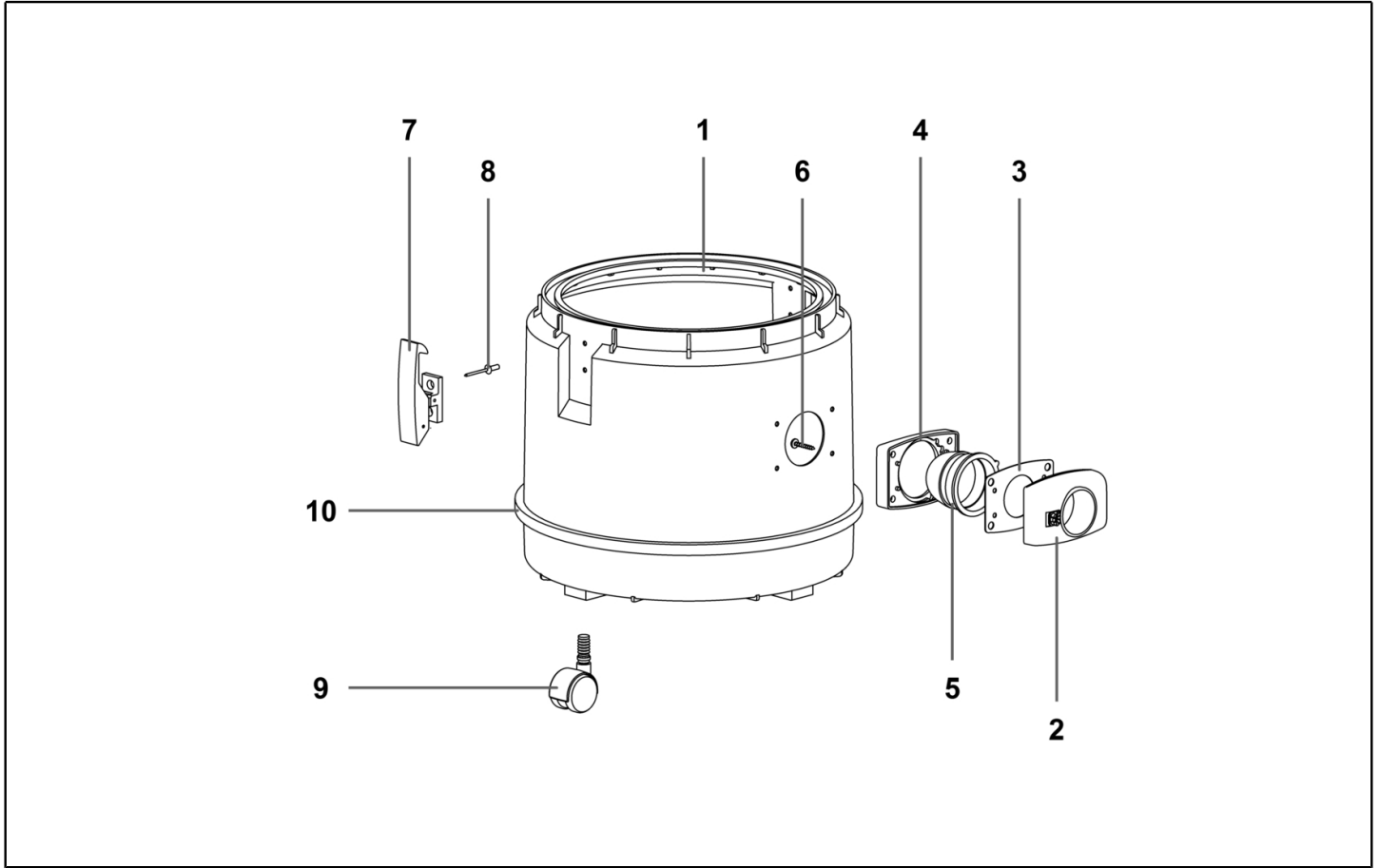
| Ref. K | Part n. | Part n. 2 | Description | Quantity | Validity | | Price |
|--------|-----------|-----------|--------------------------------------|----------|----------|------------|-------|
| | | | | | From | To | |
| * | MEVR02359 | | ELEC KIT EXTRAC 300/500 W/SOCKET RAD | 1,00 | | | -- |
| * | MECB01154 | | TERMINAL BOARD 300-500 3P RAD | 1,00 | | 15/03/2021 | -- |
| * | MECB01628 | | CONN.WIRE C.200-MA-FF-DFE | 1,00 | | | -- |
| * | MECB01637 | | CONN.WIRE C.400-AZ-FF-FF | 3,00 | | 15/03/2021 | -- |
| * | FSVR00127 | | CLAMP | 3,00 | | | -- |
| * | PPEL00107 | | PUMP GROUP LAVA W/PRESS. | 1,00 | | | -- |
| 0001 | VTVT71961 | | SCREW PFU TMT PHL 5X20 ZN NERA | 1,00 | | | -- |
| 0002 | VTVT40007 | | SCREW PAT TMT PHL 5X55 BLACK | 2,00 | | | -- |
| 0003 | MPVR08268 | | LOBSTER HANDLE TOPPER 500 | 1,00 | | | -- |
| 0004 | VTVT71961 | | SCREW PFU TMT PHL 5X20 ZN NERA | 2,00 | | | -- |
| 0005 | PMVR04923 | | COVER GAMMA 200 GR.6000 | 1,00 | | | -- |
| 0006 | MECB28808 | | ELECTRIC CORD 3X1 MT.8,5 | 1,00 | | | -- |
| 0007 | MEVR28673 | | FAIRLEAD | 1,00 | | | -- |
| 0008 | MPVR28690 | | CABLE CLAMP | 1,00 | | | -- |
| 0009 | VTVT71961 | | SCREW PFU TMT PHL 5X20 ZN NERA | 2,00 | | | -- |
| 0010 | MECI28744 | | ANTISPLASH RED LIGHT SWITCHER | 1,00 | | | -- |
| 0011 | MECI72268 | | ANTISPLASH GREEN LIGHT SWITCH | 1,00 | | | -- |
| 0012 | VTVT71971 | | SCREW PAT TMT PHL 5X35 BLACK | 6,00 | | | -- |
| 0013 | FTDP38064 | | FILTER MTP/65 H=15 D.95 | 1,00 | | | -- |
| 0014 | PMVR05053 | | COVERING JOB/LAVA ARAGOSTA | 1,00 | | | -- |
| 0015 | MPVR38371 | | WASHER H8 D85X65 | 1,00 | | | -- |
| 0016 | VTVT71971 | | SCREW PAT TMT PHL 5X35 BLACK | 6,00 | | | -- |
| 0017 | MPVR86282 | | RING MOTORE H=7 (15) PLAST. | 1,00 | | | -- |
| 0018 | VTVT71961 | | SCREW PFU TMT PHL 5X20 ZN NERA | 4,00 | | | -- |
| 0019 | PMVR05082 | | MOTOR FASTENER JOB/LAVA GR. 6000 | 1,00 | | | -- |
| 0020 | GUGO28683 | | "L" GASKET W/O HOLES H=5,5 | 1,00 | | | -- |
| 0021 | MOMO28716 | | MOT.BD302 1000W 220-240V 50-60HZ | 1,00 | | | -- |
| 0022 | GUGO28683 | | "L" GASKET W/O HOLES H=5,5 | 1,00 | | | -- |
| 0023 | FTDP38067 | | WASHER MTP 65MM 18D 230X145 | 1,00 | | | -- |
| 0024 | PMBA00540 | | BASE JOB/LAVA GR. 6000 | 1,00 | | | -- |



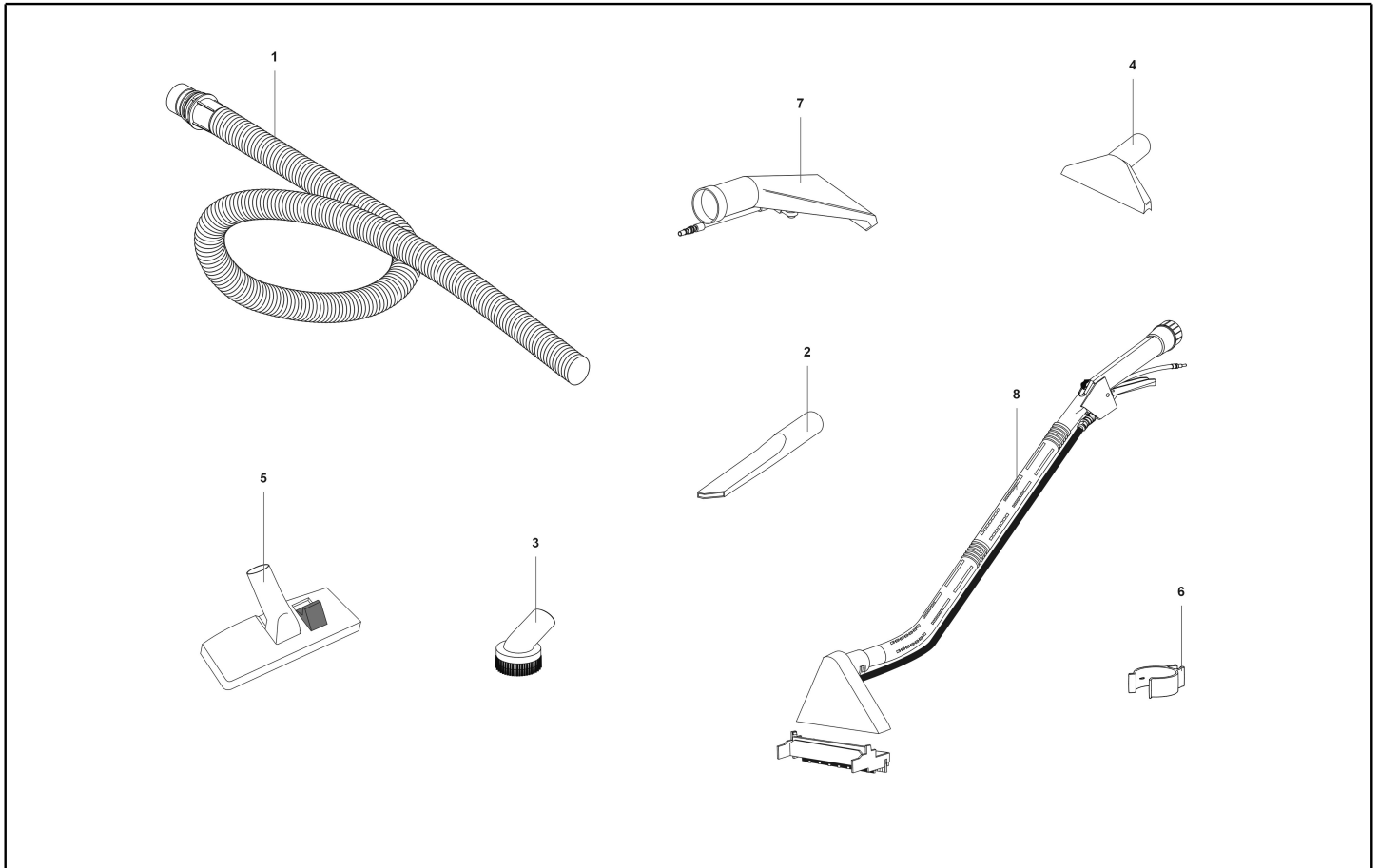
| Ref. K | Part n. | Part n. 2 | Description | Quantity | Validity | | Price |
|--------|-----------|-----------|------------------------------|----------|----------|----|-------|
| | | | | | From | To | |
| A | FTDP00078 | | RING 300 W/FIL.POLY.H=75 SAN | 1,00 | | | -- |
| 0001 | MPVR35494 | | FILTER RING 300 | 1,00 | | | -- |
| 0002 | FTDP00451 | | FILTER POLYESTER H=75 SAN | 1,00 | | | -- |
| 0003 | MPVR35493 | | FILTER BASKET LAVA | 1,00 | | | -- |



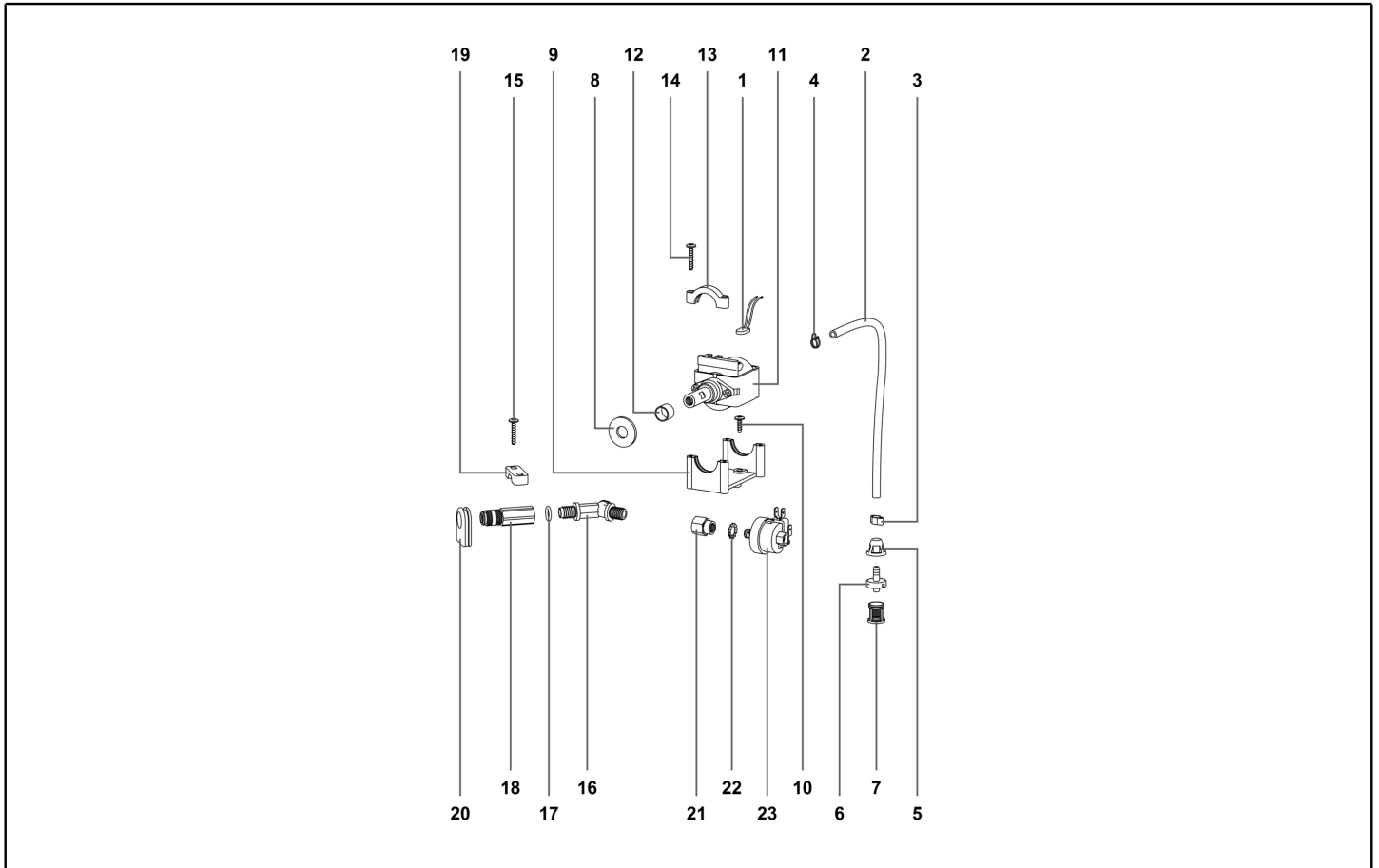
| Ref. K | Part n. | Part n. 2 | Description | Quantity | Validity | | Price |
|--------|-----------|-----------|--------------------------------|----------|----------|----|-------|
| | | | | | From | To | |
| 0001 | MPVR06677 | | PLASTIC HANDLE BASKET LT.6 | 1,00 | | | -- |
| 0002 | VTVT72105 | | SCREW "TC" 4,2X19 INOX | 4,00 | | | -- |
| 0003 | MPVR06592 | | COVER BASKET LT. 6 | 1,00 | | | -- |
| 0004 | GUGO00341 | | O-RING 2100 D.25,12X1,78 | 1,00 | | | -- |
| 0005 | MPVR86131 | | SMALL BUCKET LT.6 | 1,00 | | | -- |
| 0006 | MPVR08596 | | BLACK FLOATER NEW | 1,00 | | | -- |
| 0007 | VTVT01189 | | SCREW AUT.TC PHL 3,9X13 STAIN. | 2,00 | | | -- |
| 0008 | MPVR08816 | | ANTIFOAM BODY MINI D.50 | 1,00 | | | -- |



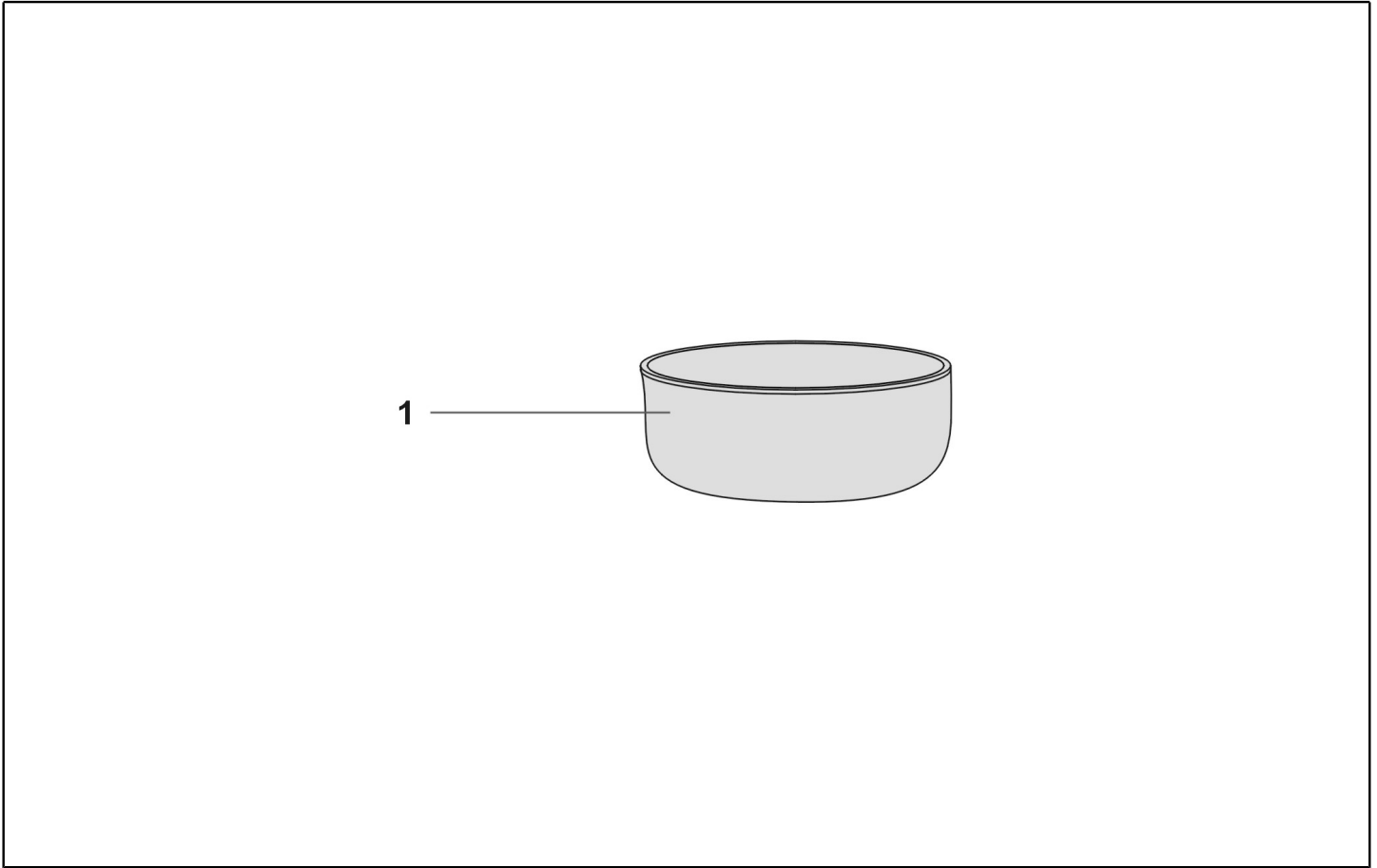
| Ref. K | Part n. | Part n. 2 | Description | Quantity | Validity | | Price |
|--------|-----------|-----------|---|----------|------------|------------|-------|
| | | | | | From | To | |
| 0001 | PMVR05095 | | TANK 99 GR6000 | 1,00 | | | -- |
| 0002 | MPVR09004 | | PIPE UNION R155 G6000 W/BUT.OR | 1,00 | | | -- |
| 0003 | GUGO28701 | | GASKET D.38 | 1,00 | | | -- |
| 0004 | MPVR08681 | | GASKET R 205 GREY 6000 | 1,00 | | | -- |
| 0005 | MPVR28696 | | DEFLECTOR 99 | 1,00 | | | -- |
| 0006 | VTVT71966 | | SCREW PAT TMT PHL 5X30 BLACK | 4,00 | | | -- |
| 0007 | PMVR02871 | | PLASTIC HOOK COMPL. GR6000 | 2,00 | | 26/01/2021 | -- |
| 0007 | CHVR28735 | | COMPLETE PLASTIC HOOK BLACK | 2,00 | 27/01/2021 | | -- |
| 0008 | VTVR71992 | | RIVET RIVET 4,8X17 | 4,00 | | | -- |
| 0009 | RTRT42006 | | TROLLEY BOX WHEEL | 4,00 | | | -- |
| 0010 | MPVR10414 | | SHOCKPROOF BAND ANTI-SHOCK BAND 99 ORANGE | 1,00 | | | -- |



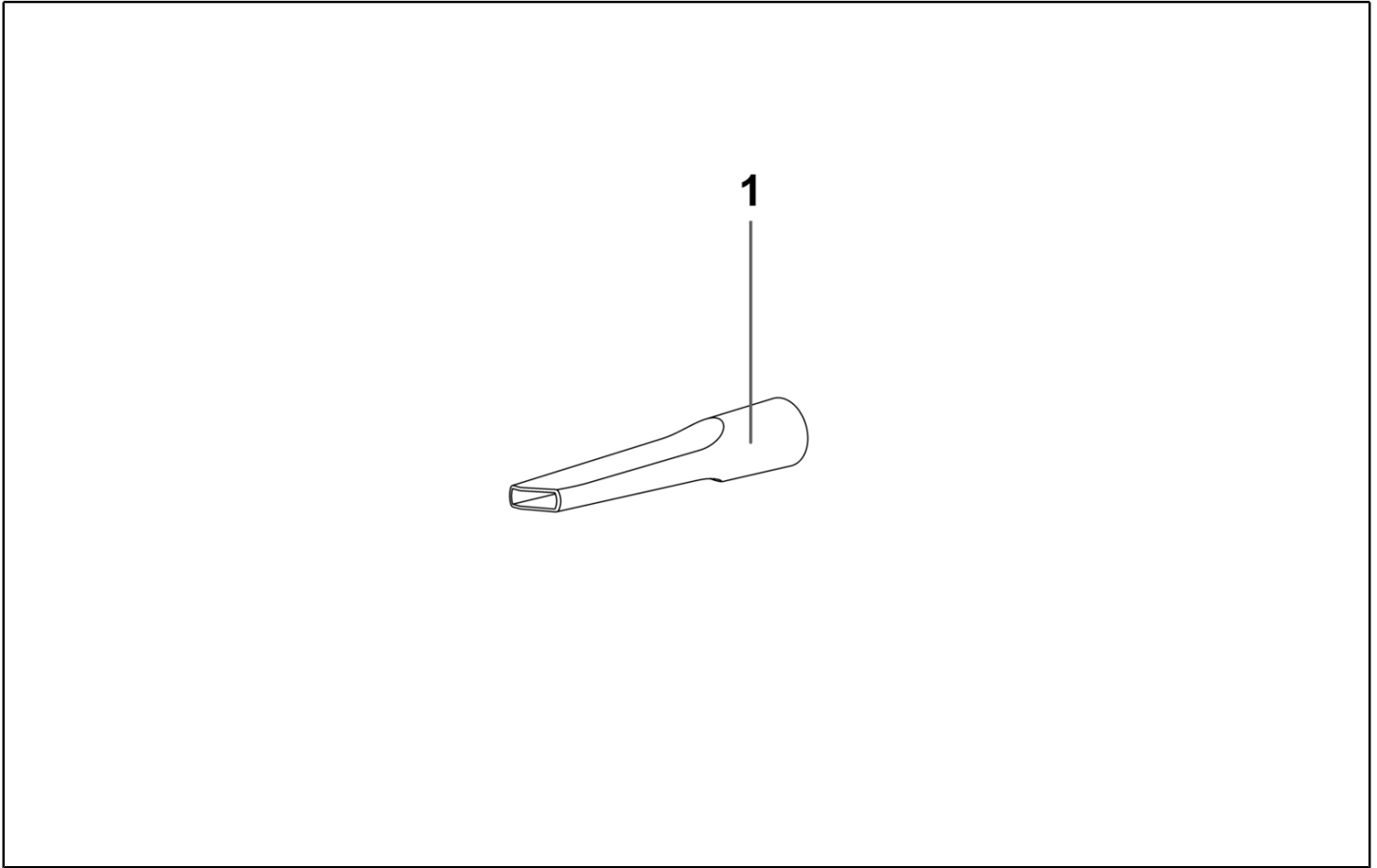
| Ref. K | Part n. | Part n. 2 | Description | Quantity | Validity | | Price |
|--------|-----------|-----------|-------------------------------|----------|----------|----|-------|
| | | | | | From | To | |
| 0001 | TBFX01161 | | FLEXIBLE HOSE G2-3638 TYPE 3 | 1,00 | | | -- |
| 0002 | SPPV28242 | | FLAT LANCE D.36 | 1,00 | | | -- |
| 0003 | SPPV28243 | | ROUND TOOL | 1,00 | | | -- |
| 0004 | MPVR00141 | | SMALL TOOL D.36 | 1,00 | | | -- |
| 0005 | SPPV28430 | | ASPIRAMATIC BRUSH RIGHT JOINT | 1,00 | | | -- |
| 0006 | MPVR85445 | | FLEX HOSE CLIPS | 4,00 | | | -- |
| 0007 | SPPV40311 | | UPHOLSTERY TOOL COMPL. | 1,00 | | | -- |
| 0008 | SPPV85446 | | ERGO CARPET TOOL | 1,00 | | | -- |



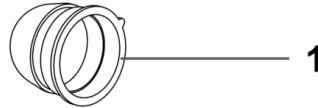
| Ref. K | Part n. | Part n. 2 | Description | Quantity | Validity | | Price |
|--------|-----------|-----------|----------------------------------|----------|------------|------------|-------|
| | | | | | From | To | |
| 0001 | METK42457 | | THERMAL PROTECTION | 1,00 | | 20/07/2020 | -- |
| 0001 | METK00058 | | THERMAL PROTEC. 220-240V CABLATO | 1,00 | 21/07/2020 | | -- |
| 0002 | TBBP72261 | | HYDROLITIC HOSE 8x5 PER METER | 0,70 | | | -- |
| 0003 | FSVR72112 | | STRICK CLIP 7-9 | 1,00 | | | -- |
| 0004 | FSVR72111 | | CLIP 9,3-9,9 | 1,00 | | | -- |
| 0005 | RCDS72165 | | DIP LOCKING FILTER | 1,00 | | | -- |
| 0006 | MPVR06607 | | HOSE FITTING DRAFT FILTER | 1,00 | | | -- |
| 0007 | FTAC00050 | | DRAFT FILTER | 1,00 | | | -- |
| 0008 | GUGO28799 | | RUBBER WASHER D.32X13X3 | 2,00 | | | -- |
| 0009 | LAFN28798 | | "U" PUMP SUPPORT | 1,00 | | | -- |
| 0010 | VTVT71960 | | SCREW SCREW PAT TMT PHL 5X14 ZN | 2,00 | | | -- |
| 0011 | MEPD00004 | | "U" PUMP 230 V.50 HZ | 1,00 | | | -- |
| 0012 | LAFN86519 | | METAL BUSH 16X12 | 1,00 | | | -- |
| 0013 | LAFN28797 | | "U" PUMP BRACKET | 2,00 | | | -- |
| 0014 | VTVT72055 | | SCREW PFU TMT PHL 5X25 ZN BLACK | 4,00 | | | -- |
| 0015 | VTVT72055 | | SCREW PFU TMT PHL 5X25 ZN BLACK | 2,00 | | | -- |
| 0016 | RCVR01080 | | PLAST."Y" COUPLING 2 WAYS | 1,00 | | | -- |
| 0017 | GUGO72029 | | O RING 9 | 1,00 | | | -- |
| 0018 | RCIN38910 | | QUICK SOCKET 1/4"F | 1,00 | | | -- |
| 0019 | MPVR28794 | | FIXING BOLT CONN. | 1,00 | | | -- |
| 0020 | MEVR86518 | | GUIDING SLIT LAVA | 1,00 | | | -- |
| 0021 | RCVR72251 | | NIPPLE 1/4" F. 1/8" F. | 1,00 | | | -- |
| 0022 | VTRS00168 | | TOOTHED WASHER M10 UNI 8842 | 1,00 | | | -- |
| 0023 | MEPF72220 | | PRESSURE SWITCH GP110 | 1,00 | | | -- |



| Ref. K | Part n. | Part n. 2 | Description | Quantity | Validity | | Price |
|--------|-----------|-----------|---------------------------|----------|----------|----|-------|
| | | | | | From | To | |
| 0001 | FTDP00451 | | FILTER POLYESTER H=75 SAN | 1,00 | | | -- |
| 0001 | FTDP00451 | | FILTER POLYESTER H=75 SAN | 1,00 | | | -- |



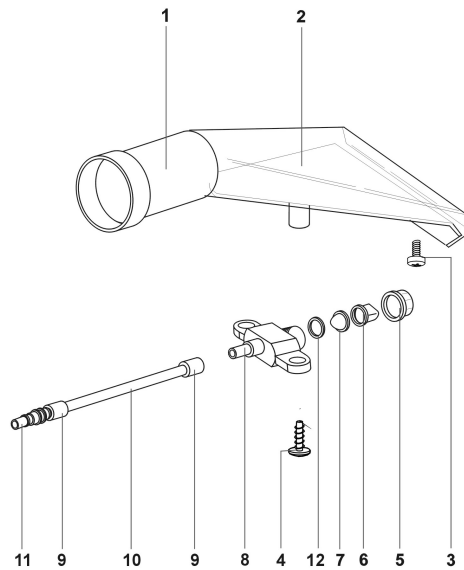
| Ref. K | Part n. | Part n. 2 | Description | Quantity | Validity | | Price |
|--------|-----------|-----------|-----------------|----------|----------|----|-------|
| | | | | | From | To | |
| 0001 | SPPV28242 | | FLAT LANCE D.36 | 1,00 | | | -- |
| 0001 | SPPV28242 | | FLAT LANCE D.36 | 1,00 | | | -- |



| Ref. K | Part n. | Part n. 2 | Description | Quantity | Validity | | Price |
|--------|-----------|-----------|--------------|----------|----------|----|-------|
| | | | | | From | To | |
| 0001 | MPVR28696 | | DEFLECTOR 99 | 1,00 | | | -- |
| 0001 | MPVR28696 | | DEFLECTOR 99 | 1,00 | | | -- |



| Ref. K | Part n. | Part n. 2 | Description | Quantity | Validity | | Price |
|--------|-----------|-----------|--------------------------|----------|----------|----|-------|
| | | | | | From | To | |
| 0001 | MECB28808 | | ELECTRIC CORD 3X1 MT.8,5 | 1,00 | | | -- |
| 0001 | MECB28808 | | ELECTRIC CORD 3X1 MT.8,5 | 1,00 | | | -- |



| Ref. K | Part n. | Part n. 2 | Description | Quantity | Validity | | Price |
|--------|-----------|-----------|---------------------------------|----------|------------|----|-------|
| | | | | | From | To | |
| 0001 | MPVR11512 | | OPENING BODY TRASPARENTE NEW | 1,00 | | | -- |
| 0002 | MPVR11649 | | SMALL PLATE LAVA NEW | 1,00 | | | -- |
| 0003 | VTVT01182 | | INOX SCREW TC CROSS 4,2X13 | 4,00 | | | -- |
| 0004 | VTVT71960 | | SCREW SCREW PAT TMT PHL 5X14 ZN | 2,00 | | | -- |
| 0005 | MPVR31724 | | RING 3/8" F | 1,00 | | | -- |
| 0006 | UGLN30851 | | PL.NOZZLE C1 02/80° | 1,00 | | | -- |
| 0007 | FTDT31725 | | INOX JET FILTER | 1,00 | | | -- |
| 0008 | RCVR72136 | | UPHOLSTERY TOOL FITTING JET | 1,00 | | | -- |
| 0009 | FSVR38348 | | PLAST.CLIP D.8 | 2,00 | | | -- |
| 0010 | TBBP00578 | | PVC PIPE D.4X7,5 PER KG | 0,00 | | | -- |
| 0011 | RCIN38912 | | BRASS QUICK COUPLING P.G5,2 | 1,00 | | | -- |
| 0012 | VTRS72168 | | RUBBER WASHER D.15X9,5X1,5 | 1,00 | 07/05/2019 | | -- |