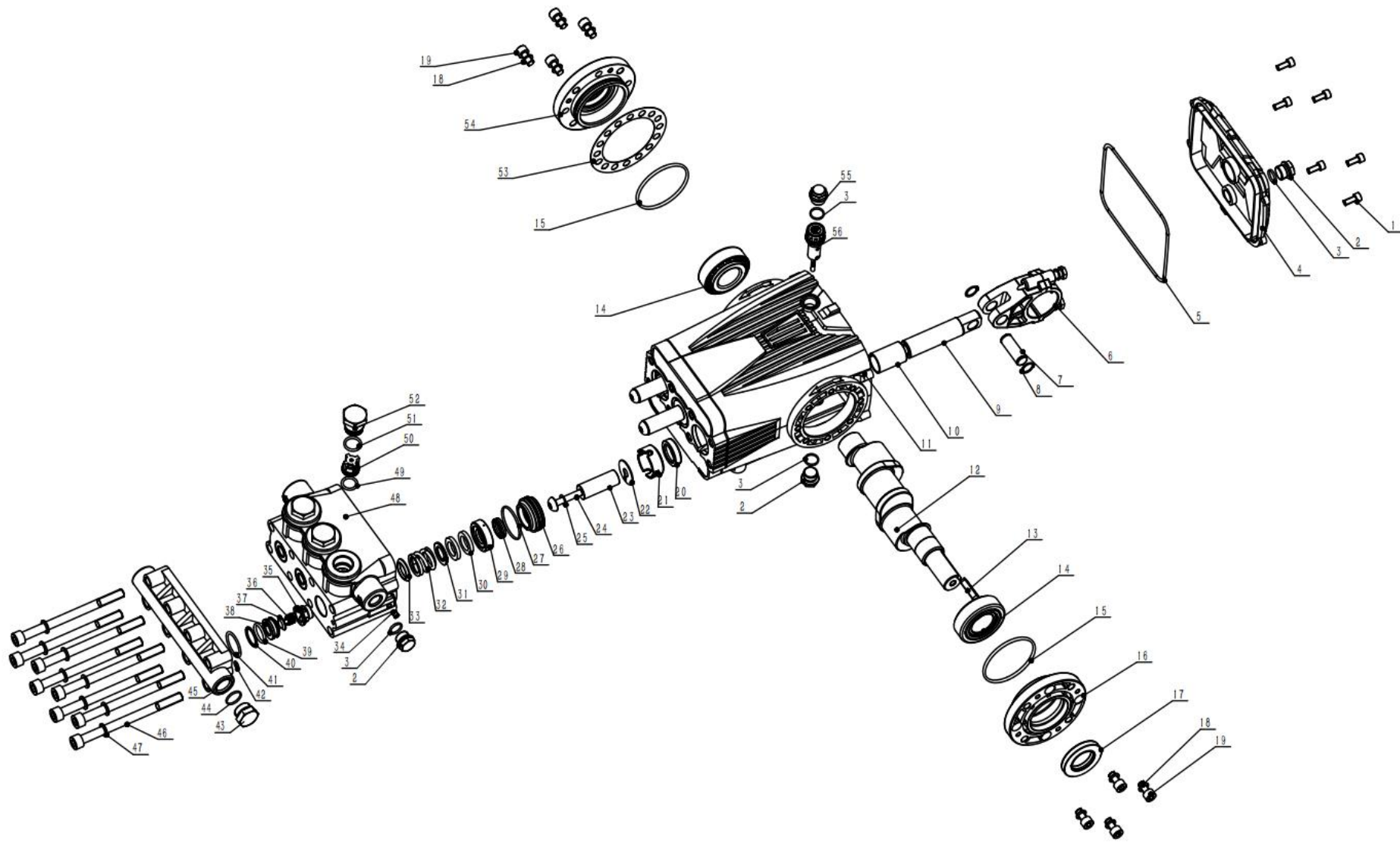


DS2235/1640/1240 PARTS CATALOG

#	MODEL	PARTS NO.	CHINESE NAME	PARTS NAME	QTY	UNIT PRICE	TOT
序号		物料编码	名称	Comodity	数量	单价	小计
1	DS2135/1640/1240	590201012	内六角螺丝	Hexagon screw	6		
2	DS2135/1640/1240	500010003	堵头	plug	3		
3	DS2135/1640/1240	590101019	O型圈	o ring	4		
4	DS2135/1640/1240	301031001	DS后盖组件	DS back cover assy	1		
5	DS2135/1640/1240	590101017	O型圈	o ring 135*3.5	1		
6	DS2135/1640/1240	501002050	DS连杆组件	connecting rod	3		
7	DS2135/1640/1240	501002110	DS柱塞销	pin of plunger	3		
8	DS2135/1640/1240	590206001	轴用挡圈	shaft ring	6		
9	DS2135/1640/1240	501002100	DS柱塞杆	plunger rod	3		
10	DS2135/1640/1240	501002070	DS无油轴承	bearing	3		
11	DS2135/1640/1240	501002010	DS曲轴箱	crankcase	1		
12A	DS2235	501002220	DS曲轴21-N24	shaft 21-N24	1		
12B	DS1640	501002200	DS曲轴15-N24				
12C	DS1240	501002190	DS曲轴11-N24				
13	DS2135/1640/1240	500011003	平键	flat key	1		
14	DS2135/1640/1240	590303004	圆锥滚子轴承	conical roller bearing	2		
15	DS2135/1640/1240	590101102	O型圈	o ring	2		
16	DS2135/1640/1240	501002030	DS伸出端法兰	extended end flange	1		
17	DS2135/1640/1240	590108003	TC骨架油封	TC crankshaft oil seal	1		
18	DS2135/1640/1240	590204103	双面齿垫	double washer	14		
19	DS2135/1640/1240	590201006	内六角螺丝	Hexagon screw	8		
20	DS2135/1640/1240	590107004	TC4骨架油封	TC crankshaft oil seal	3		
21	DS2135/1640/1240	501002091	DS支撑架	Bracket	3		
22	DS2135/1640/1240	501002120	DS挡水片	WIPER	3		
23	DS2135/1640/1240	501002160	DS18陶瓷管	ceramic plunger	3		
24	DS2135/1640/1240	501002060	DS陶瓷管锁紧螺栓	Locking Bolt	3		
25	DS2135/1640/1240	590101114	O型圈	o ring	3		
26	DS2135/1640/1240	590101079	O型圈	o ring	3		
27	DS2135/1640/1240	501001080	DS18后导环	DS18 Guide Ring	3		

28	DS2135/1640/1240	590105002	18副水封	18 Aux. Water Seal	3		
29	DS2135/1640/1240	501001120	DS18支撑环	DS18 Support Ring	3		
30	DS2135/1640/1240	590104002	18主水封两件套	18 water seal 2assy	3		
31	DS2135/1640/1240	500010004	堵头	plug	1		
32	DS2135/1640/1240	590101025	O型圈	o ring	6		
33	DS2135/1640/1240	500601120	TK22单向阀	TK22 checking valve	6		
34	DS2135/1640/1240	590101033	O型圈	o ring	6		
35	DS2135/1240	501001160	DS18单向阀螺丝	checking valve screw	6		
35A	DS1640	501001160	DSG18单向阀螺丝				
36	DS2135/1640/1240	590201030	内六角螺丝	Hexagon screw	8		
37	DS2135/1640/1240	590204101	双面齿垫	double washer	8		
38	DS2135/1240	501001010	DS18泵头	DS18 pump head	1		
38A	DS1640	501001050	DSG18泵头				
39	DS2135/1640/1240	501002080	DS游隙调整垫片	adjust gasket	2		
40	DS2135/1640/1240	301041001	DS侧盖组件	side cover	1		
41	DS2135/1640/1240	101702010	油塞	oil plug	1		
42	DS2135/1640/1240	301150101	BM油标组件	DIPSTICK	1		

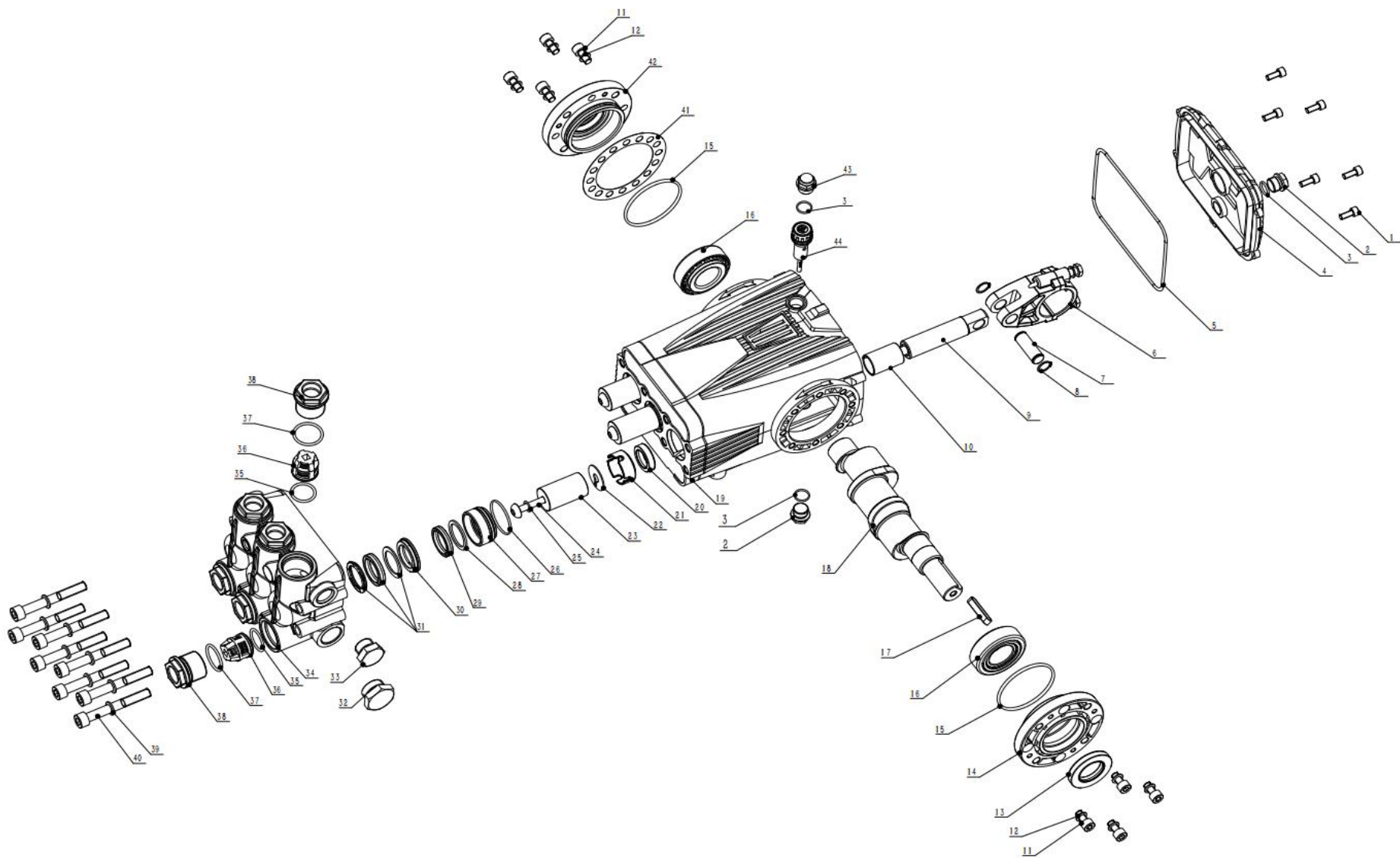


DS2250/1650/1250 PARTS CATALOG

#	MODEL	PARTS NO.	CHINESE NAME	PARTS NAME	QTY	UNIT PRICE	TOT
序号		物料编码	名称	Comodity	数量	单价	小计
1	DS2250/1650/1250	590201012	内六角螺丝	Hexagon socket head screw	6		
2	DS2250/1650/1250	500010003	堵头	Plug	3		
3	DS2250/1650/1250	590101019	O型圈	O-ring	4		
4	DS2250/1650/1250	301031001	DS后盖组件	DS back cover assembly	1		
5	DS2250/1650/1250	590101017	O型圈	O-ring	1		
6	DS2250/1650/1250	501002050	DS连杆组件	DS linkage assembly	3		
7	DS2250/1650/1250	501002110	DS柱塞销	DS plunger pin	3		
8	DS2250/1650/1250	590206001	轴用挡圈	Shaft retaining ring	6		
9	DS2250/1650/1250	501002100	DS柱塞杆	DS plunger rod	3		
10	DS2250/1650/1250	501002070	DS无油轴承	DS oil free bearing	3		
11	DS2250/1650/1250	501002010	DS曲轴箱	DS crankcase	1		
12	DS2250	501002220	DS曲轴21-N24	DS crankshaft 21-N24	1		
12A	DS1650	501002200	DS曲轴15-N24	DS crankshaft 15-N24	1		
12B	DS1250	501002190	DS曲轴11-N24	DS crankshaft 11-N24	1		
13	DS2250/1650/1250	500011003	平键	Flat key	1		
14	DS2250/1650/1250	590303004	圆锥滚子轴承	Tapered Roller Bearings	2		
15	DS2250/1650/1250	590101102	O型圈	O-ring	2		

16	DS2250/1650/1250	501002030	DS伸出端法兰	DS extension flange	1		
17	DS2250/1650/1250	590108003	骨架油封	Skeleton oil seal	1		
18	DS2250/1650/1250	590204103	双面齿垫	Double-sided tooth pad	14		
19	DS2250/1650/1250	590201006	内六角螺丝	Hexagon socket head screw	8		
20	DS2250/1650/1250	590107004	TC4骨架油封	TC4 skeleton oil seal	3		
21	DS2250/1650/1250	501002091	DS支撑架	DS support	3		
22	DS2250/1650/1250	501002120	DS挡水片	DS water stop	3		
23	DS2250/1650/1250	501002160	DS18陶瓷管	DS18 ceramic tube	3		
24	DS2250/1650/1250	501002060	DS陶瓷管锁紧螺栓	DS ceramic tube locking bolt	3		
25	DS2250/1650/1250	590101114	O型圈	O-ring	3		
26	DS2250/1650/1250	501001090	DS2150后导环	DS2150 rear guide ring	3		
27	DS2250/1650/1250	590101079	O型圈	O-ring	3		
28	DS2250/1650/1250	590105002	副水封	Deputy water seal	3		
29	DS2250/1650/1250	501001130	DS2150支撑环	DS2150 support ring	3		
30	DS2250/1650/1250	590104001	DS2150主水封	main water seal	6		
31	DS2250/1650/1250	501001270	DS2150主水封垫片	main water seal gasket	3		
32	DS2250/1650/1250	501001260	DS2150主水封弹簧	main water seal spring	3		
33	DS2250/1650/1250	501001250	DS2150水封弹簧座	water seal spring seat	3		
34	DS2250/1650/1250	590207101	内六角平端锁紧螺钉	Hexagon flat end locking screw	1		
35	DS2250/1650/1250	501001230	DS2150进水单向阀罩	water inlet check valve cover	3		
36	DS2250/1650/1250	501001210	DS2150进水单向阀弹簧	water inlet check valve spring	3		

37	DS2250/1650/1250	501001220	DS2150进水单向阀片	inlet check valve	3		
38	DS2250/1650/1250	501001240	DS2150进水单向阀座	water inlet check valve seat	3		
39	DS2250/1650/1250	590103008	开口挡圈	Open retaining ring	3		
40	DS2250/1650/1250	590101052	O型圈	O-ring	3		
41	DS2250/1650/1250	590101065	O型圈	O-ring	3		
42	DS2250/1650/1250	590101100	O型圈	O-ring	1		
43	DS2250/1650/1250	500010002	堵头	Plug	1		
44	DS2250/1650/1250	590101035	O型圈	O-ring	1		
45	DS2250/1650/1250	501001200	DS2150阀盖	DS2150 bonnet	1		
46	DS2250/1650/1250	590201033	内六角螺丝	Hexagon socket head screw	8		
47	DS2250/1650/1250	590204101	双面齿垫	Double-sided tooth pad	8		
48	DS2250/1650/1250	501001020	DS2150泵头	DS2150 pump head	1		
49	DS2250/1650/1250	590101026	O型圈	O-ring	3		
50	DS2250/1650/1250	301191001	DS2150高压单向阀组件	DS2150 check valve assembly	3		
51	DS2250/1650/1250	590101033	O型圈	O-ring	3		
52	DS2250/1650/1250	501001160	DS18单向阀螺丝	DS18 check valve screw	3		
53	DS2250/1650/1250	501002080	DS游隙调整垫片	DS clearance adjustment gasket	2		
54	DS2250/1650/1250	301041001	DS侧盖组件	DS side cover assembly	1		
55	DS2250/1650/1250	101702010	油塞	Oil plug	1		
56	DS2250/1650/1250	301150101	BM油标组件	BM oil standard component	1		

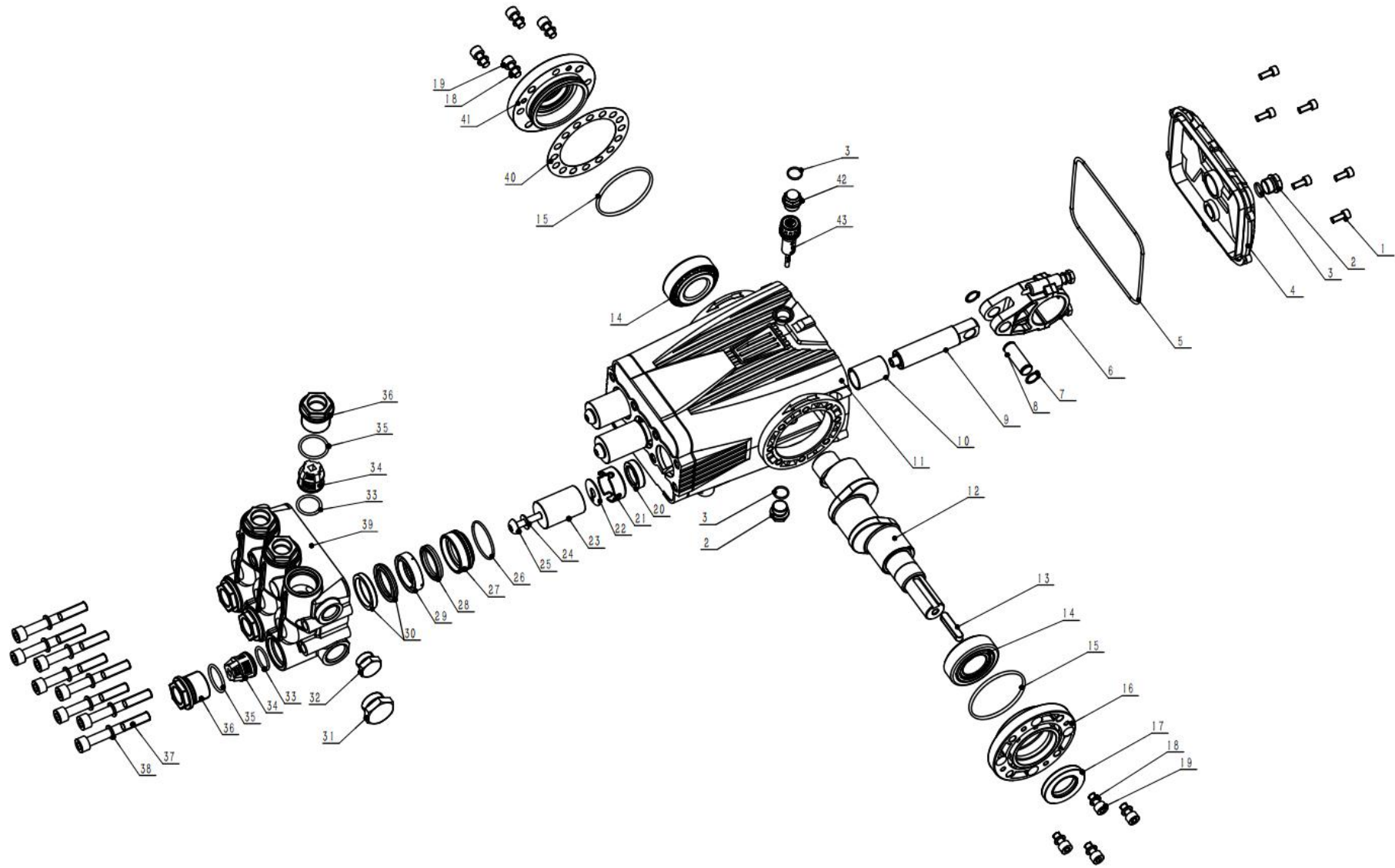


DS5015/4020/3025 PARTS CATALOG

#	MODEL	PARTS NO.	CHINESE NAME	PARTS NAME	QTY	UNIT PRICE	TOT
序号		物料编码	名称		数量	单价	小计
1	DS5015/4020/3025	590201012	内六角螺丝	Hexagon socket head screw	6		
2	DS5015/4020/3025	500010003	堵头	Plug	3		
3	DS5015/4020/3025	590101019	O型圈	O-ring	4		
4	DS5015/4020/3025	301031001	DS后盖组件	DS back cover assembly	1		
5	DS5015/4020/3025	590101017	O型圈	O-ring	1		
6	DS5015/4020/3025	501002050	DS连杆组件	DS linkage assembly	3		
7	DS5015/4020/3025	501002110	DS柱塞销	DS plunger pin	3		
8	DS5015/4020/3025	590206001	轴用挡圈	Shaft retaining ring	6		
9	DS5015/4020/3025	501002100	DS柱塞杆	DS plunger rod	3		
10	DS5015/4020/3025	501002070	DS无油轴承	DS oil free bearing	3		
11	DS5015/4020/3025	590201006	内六角螺丝	Hexagon socket head screw	8		
12	DS5015/4020/3025	590204103	双面齿垫	Double-sided tooth pad	14		
13	DS5015/4020/3025	590108003	骨架油封	Skeleton oil seal	1		
14	DS5015/4020/3025	501002030	DS伸出端法兰	DS extension flange	1		
15	DS5015/4020/3025	590101102	O型圈	O-ring	2		
16	DS5015/4020/3025	590303004	圆锥滚子轴承	Tapered Roller Bearings	2		
17	DS5015/4020/3025	500011003	平键	Flat key	1		

	DS5015/4020/3025						
18	DS5015	501002220	DS曲轴21-N24	DS crankshaft 21-N24	1		
18A	DS4020	501002200	DS曲轴15-N24	DS crankshaft 15-N24			
18B	DS3025	501002190	DS曲轴11-N24	DS crankshaft 11-N24			
19	DS5015/4020/3025	501002010	DS曲轴箱	DS crankcase	1		
20	DS5015/4020/3025	590107004	TC4骨架油封	TC4 skeleton oil seal	3		
21	DS5015/4020/3025	501002091	DS支撑架	DS support	3		
22	DS5015/4020/3025	501002120	DS挡水片	DS water stop	3		
23	DS5015/4020/3025	501002170	DS28陶瓷管	DS28 ceramic tube	3		
24	DS5015/4020/3025	501002060	DS陶瓷管锁紧螺栓	DS ceramic tube locking bolt	3		
25	DS5015/4020/3025	590101114	O型圈	O-ring	3		
26	DS5015/4020/3025	590101079	O型圈	O-ring	3		
27	DS5015/4020/3025	501001100	DS28后导环	DS28 rear guide ring	3		
28	DS5015/4020/3025	590105015	DS28副水封平垫片	DS28 sub water seal flat gasket	3		
29	DS5015/4020/3025	590105007	DS28副水封	DS28 sub water seal	3		
30	DS5015/4020/3025	501001140	DS28支撑环	DS28 support ring	3		
31	DS5015/4020/3025	590104013	28主水封三件套	28 main water seal three-piece	3		
32	DS5015/4020/3025	500010004	堵头	Plug	1		
33	DS5015/4020/3025	500010005	堵头	Plug	1		
34	DS5015/3025	501001030	DS28泵头	DS28 pump head	1		
34A	DS4020	501001060	DSG28泵头				

35	DS5015/4020/3025	590101060	O型圈	O-ring	6		
36	DS5015/4020/3025	501002150	DS单向阀	DS check valve	6		
37	DS5015/4020/3025	590101066	O型圈	O-ring	6		
38	DS5015/3025	501001170	DS单向阀螺丝	DS check valve screw	6		
38A	DS4020	501001190	DSG单向阀螺丝				
39	DS5015/4020/3025	590201030	内六角螺丝	Hexagon socket head screw	8		
40	DS5015/4020/3025	590204101	双面齿垫	Double-sided tooth pad	8		
41	DS5015/4020/3025	501002080	DS游隙调整垫片	DS clearance adjustment gasket	2		
42	DS5015/4020/3025	301041001	DS侧盖组件	DS side cover assembly	1		
43	DS5015/4020/3025	101702010	油塞	Oil plug	1		
44	DS5015/4020/3025	301150101	BM油标组件	BM oil standard component	1		



DS7010 PARTS CATALOG

#	PARTS NO.	CHINESE NAME	PARTS NAME	QTY	UNIT PRICE	TOT
序号	物料编码	名称		数量	单价	小计
1	590201012	内六角螺丝	Hexagon socket head screw	6		
2	500010003	堵头	Plug	3		
3	590101019	O型圈	O-ring	4		
4	301031001	DS后盖组件	DS back cover assembly	1		
5	590101017	O型圈	O-ring	1		
6	501002050	DS连杆组件	DS linkage assembly	3		
7	501002110	DS柱塞销	DS plunger pin	3		
8	590206001	轴用挡圈	Shaft retaining ring	6		
9	501002100	DS柱塞杆	DS plunger rod	3		
10	501002070	DS无油轴承	DS oil free bearing	3		
11	501002010	DS曲轴箱	DS crankcase	1		
12	501002220	DS曲轴	DS crankshaft	1		
13	500011003	平键	Flat key	1		
14	590303004	圆锥滚子轴承	Tapered Roller Bearings	2		
15	590101102	O型圈	O-ring	2		
16	501002030	DS伸出端法兰	DS extension flange	1		
17	590108003	骨架油封	Skeleton oil seal	1		
18	590204103	双面齿垫	Double-sided tooth pad	14		
19	590201006	内六角螺丝	Hexagon socket head screw	8		
20	590107004	TC4骨架油封	TC4 skeleton oil seal	3		
21	501002091	DS支撑架	DS support	3		

22	501002120	DS挡水片	DS water stop	3		
23	501002180	DS32陶瓷管	DS32 ceramic tube	3		
24	590101114	O型圈	O-ring	3		
25	501002060	DS陶瓷管锁紧螺栓	DS ceramic tube locking bolt	3		
26	590101081	O型圈	O-ring	3		
27	501001110	DS32后导环	DS32 rear guide ring	3		
28	590105009	32副水封	32 water seals	3		
29	501001150	DS32支撑环	DS32 support ring	3		
30	590104005	32主水封两件套	32 main water seal two-piece	3		
31	500010004	堵头	Plug	1		
32	500010005	堵头	Plug	1		
33	590101060	O型圈	O-ring	6		
34	501002150	DS单向阀	DS check valve	6		
35	590101066	O型圈	O-ring	6		
36	501001170	DS单向阀螺丝	DS check valve screw	6		
36A	501001190	DSG单向阀螺丝	DS check valve screw(cast iron)			
37	590201030	内六角螺丝	Hexagon socket head screw	8		
38	590204101	双面齿垫	Double-sided tooth pad	8		
39	501001040	DS32泵头	DS32 pump head	1		
39A	501001070	DSG32泵头	DS32 pump head (cast iron)			
40	501002080	DS游隙调整垫片	DS clearance adjustment gasket	2		
41	301041001	DS侧盖组件	DS side cover assembly	1		
42	101702010	油塞	Oil plug	1		
43	301150101	BM油标组件	BM oil standard component	1		